



US00D977051S

(12) **United States Design Patent**  
**Xiao**

(10) **Patent No.:** **US D977,051 S**

(45) **Date of Patent:** **\*\* Jan. 31, 2023**

(54) **SWIM VEST**

(71) Applicant: **Yang Xiao**, Foshan (CN)

(72) Inventor: **Yang Xiao**, Foshan (CN)

(\*\*) Term: **15 Years**

(21) Appl. No.: **29/833,939**

(22) Filed: **Apr. 8, 2022**

(51) **LOC (14) Cl.** ..... **21-02**

(52) **U.S. Cl.**  
USPC ..... **D21/804; D21/805**

(58) **Field of Classification Search**  
USPC ..... D21/804–807; D2/828–829  
CPC ..... B63C 9/115; B63C 9/135  
See application file for complete search history.

(56) **References Cited**

U.S. PATENT DOCUMENTS

2,893,020	A *	7/1959	Miller	.....	B63C 9/115 441/116
D379,839	S *	6/1997	McMahon	.....	D21/805
D623,714	S *	9/2010	Steger	.....	B63C 9/135 D21/805
D638,085	S	5/2011	Barbis		
D638,900	S	5/2011	Wahnon		
D639,374	S	6/2011	Vick		
D650,033	S	12/2011	Barbis		
D679,355	S *	4/2013	Fireman	.....	D21/805
D725,826	S	3/2015	Takeuchi		
D735,416	S	7/2015	Clewell		

D744,603	S *	12/2015	Lin	.....	D21/805
D800,242	S *	10/2017	de Grasse	.....	D21/805
D816,791	S *	5/2018	Hsu	.....	D21/805
D819,153	S	5/2018	Landen		
D827,750	S *	9/2018	Huang	.....	D21/805
D847,930	S *	5/2019	May	.....	D21/805
D856,591	S	8/2019	Davies		
D877,419	S	3/2020	Shi		
2011/0165805	A1 *	7/2011	Berry	.....	A63B 31/00 441/122

\* cited by examiner

*Primary Examiner* — Michael C Stout

*Assistant Examiner* — Melvin L Davis

(74) *Attorney, Agent, or Firm* — Runit Ranjit Kanakia

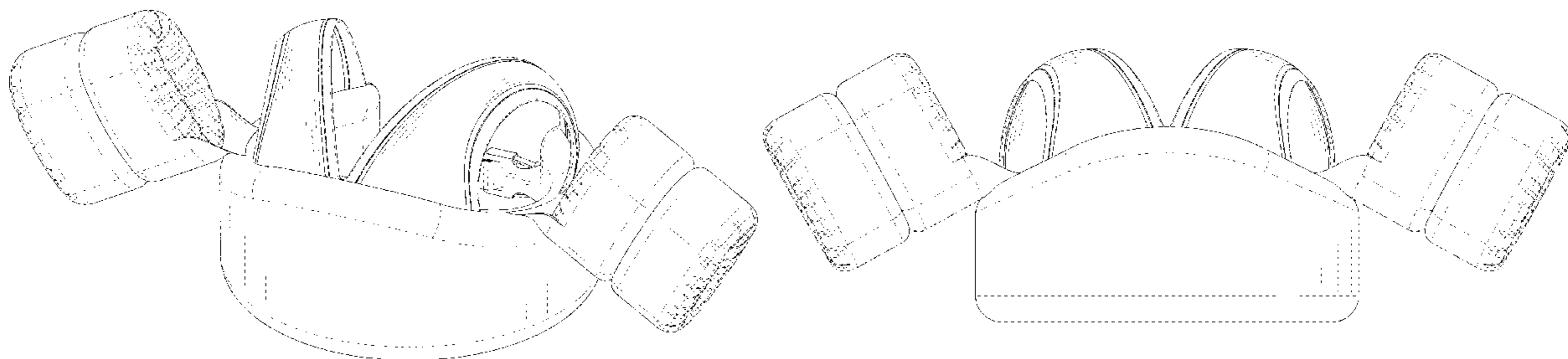
(57) **CLAIM**

The ornamental design for a swim vest, as shown and described.

**DESCRIPTION**

FIG. 1 is a perspective view of a swim vest showing my new design;  
FIG. 2 is another perspective view thereof;  
FIG. 3 is a front elevational view thereof;  
FIG. 4 is a rear elevational view thereof;  
FIG. 5 is a left elevational view thereof;  
FIG. 6 is a right side view thereof;  
FIG. 7 is a top side view thereof; and,  
FIG. 8 is a bottom plan view thereof.

**1 Claim, 7 Drawing Sheets**



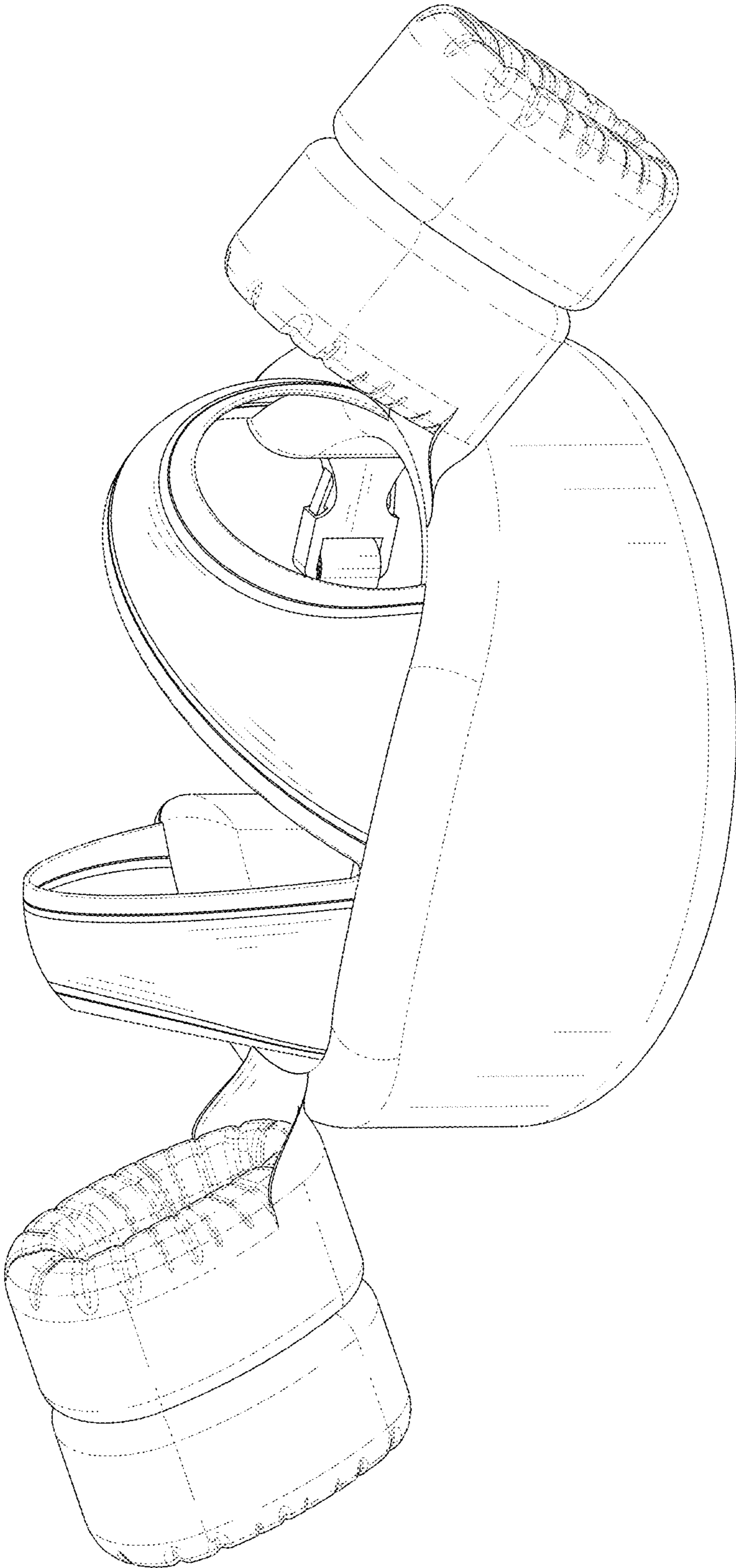


FIG. 1

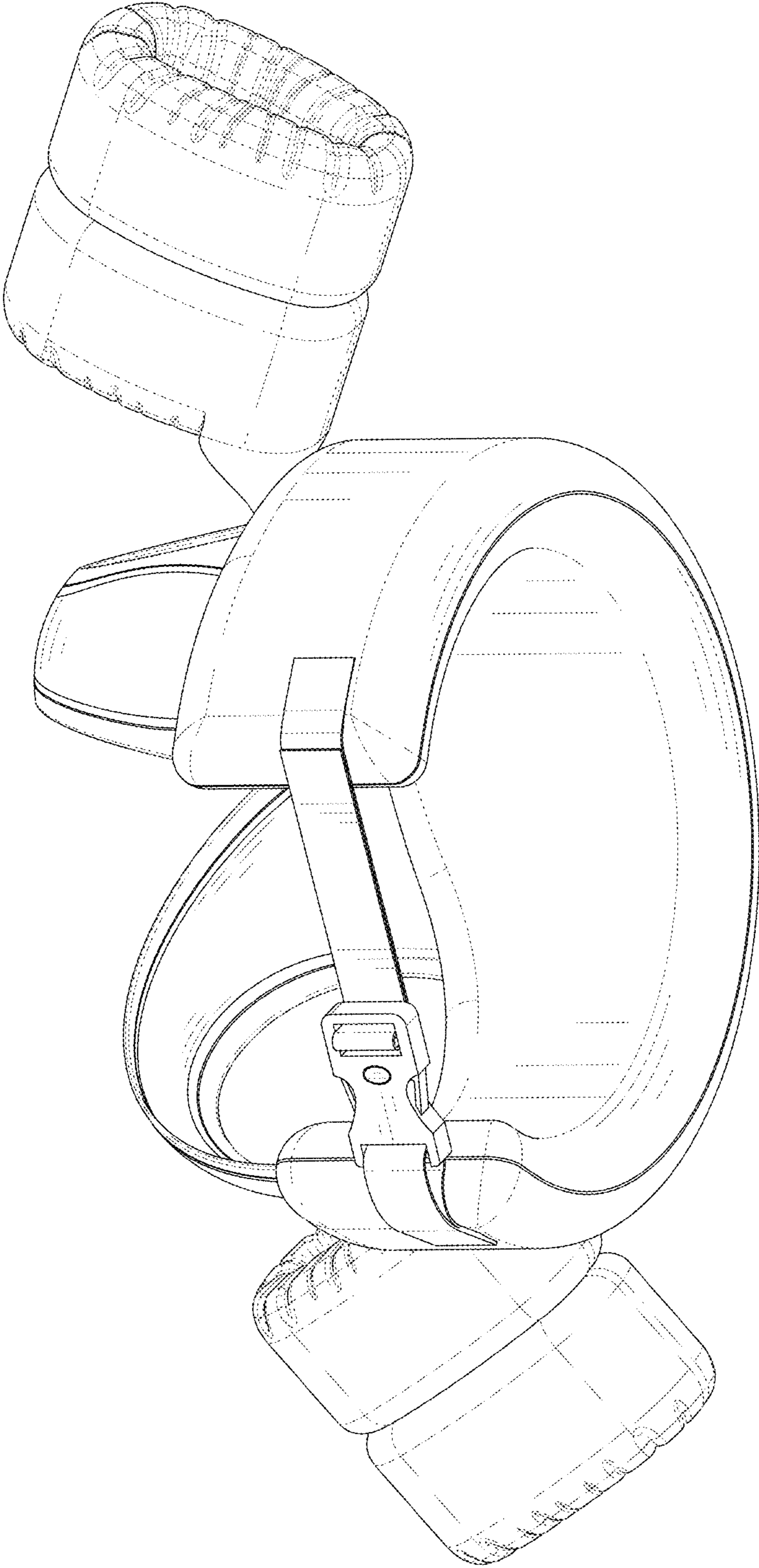


FIG. 2

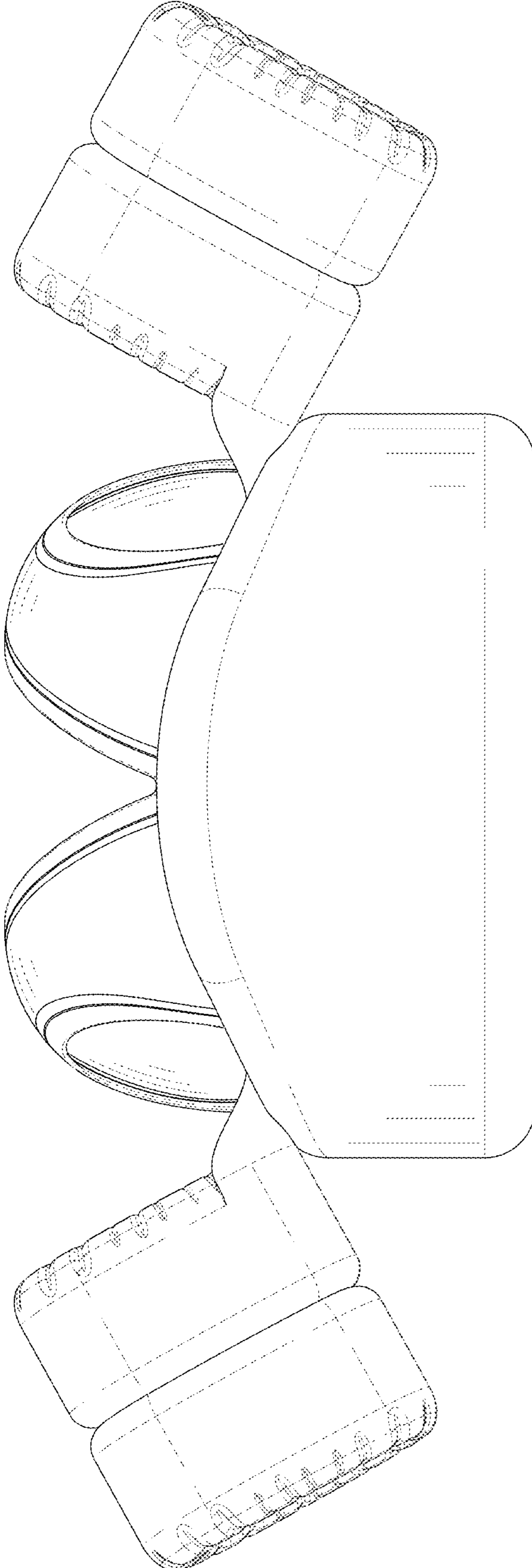


FIG. 3

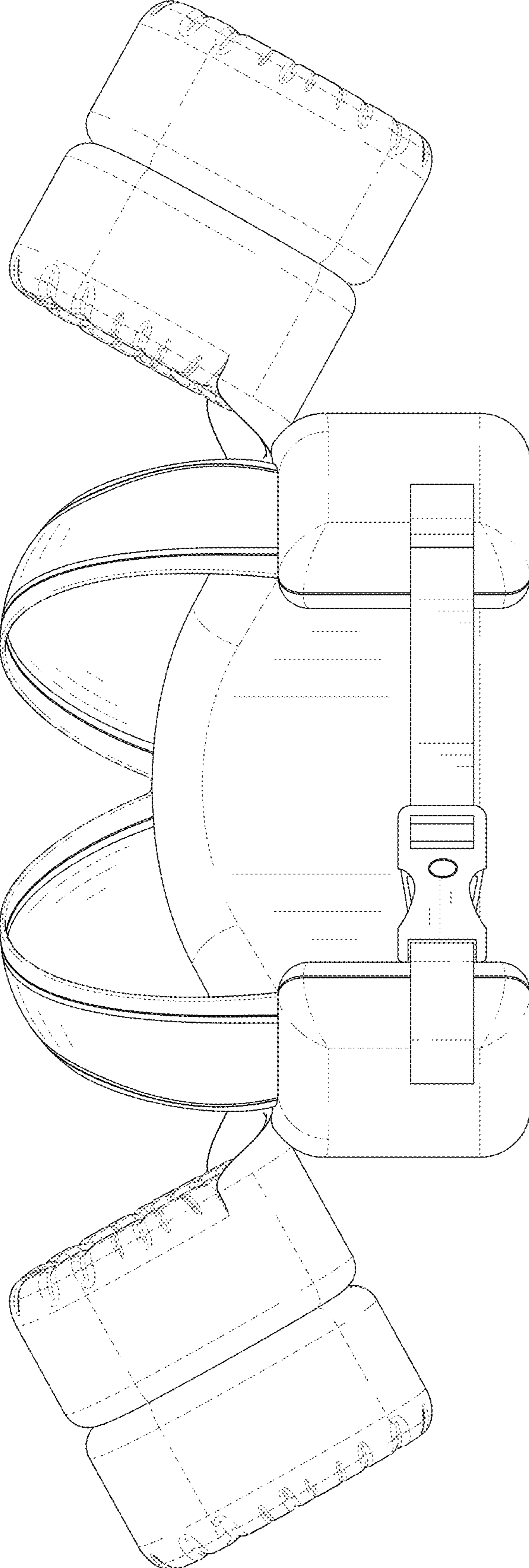


FIG. 4

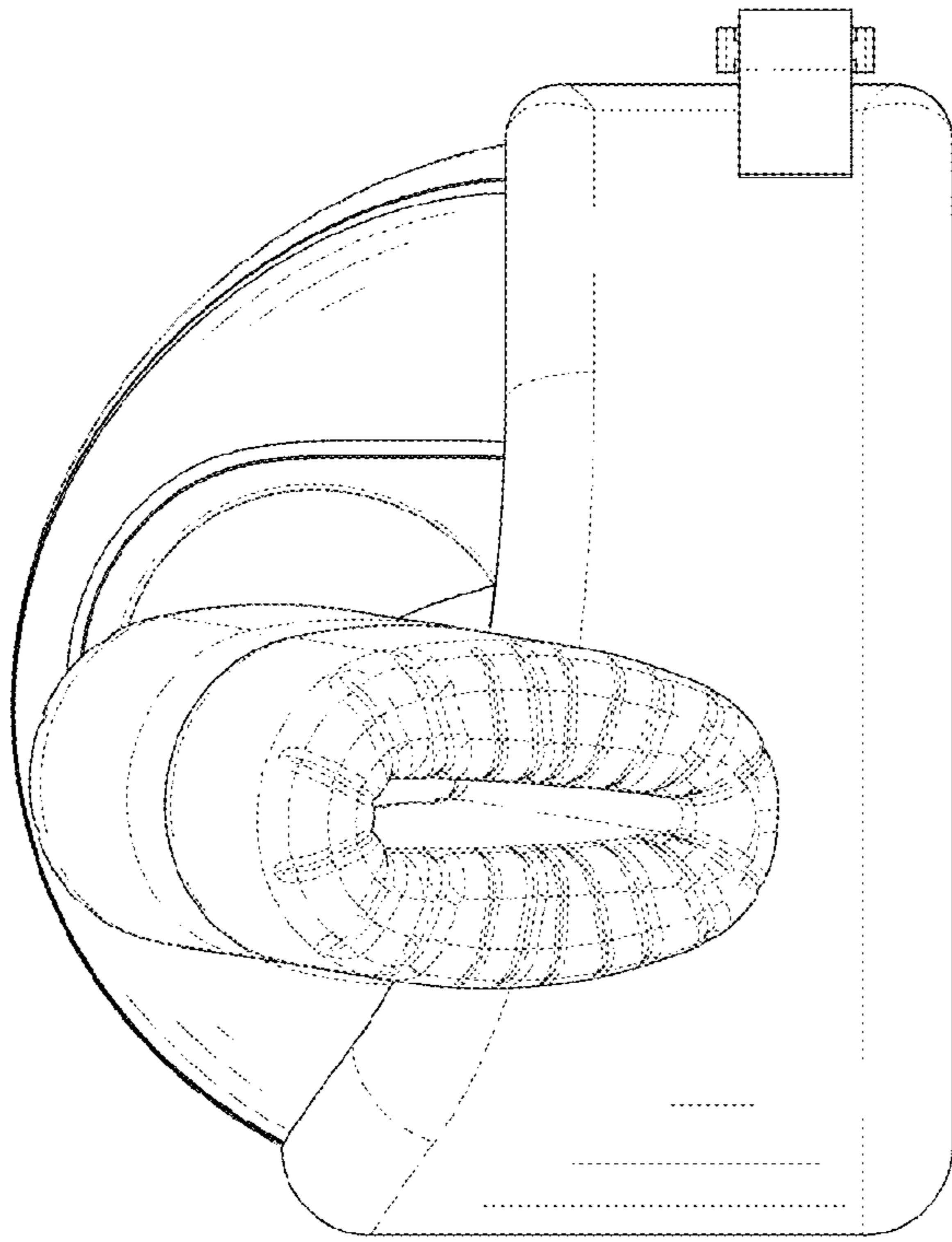


FIG. 5

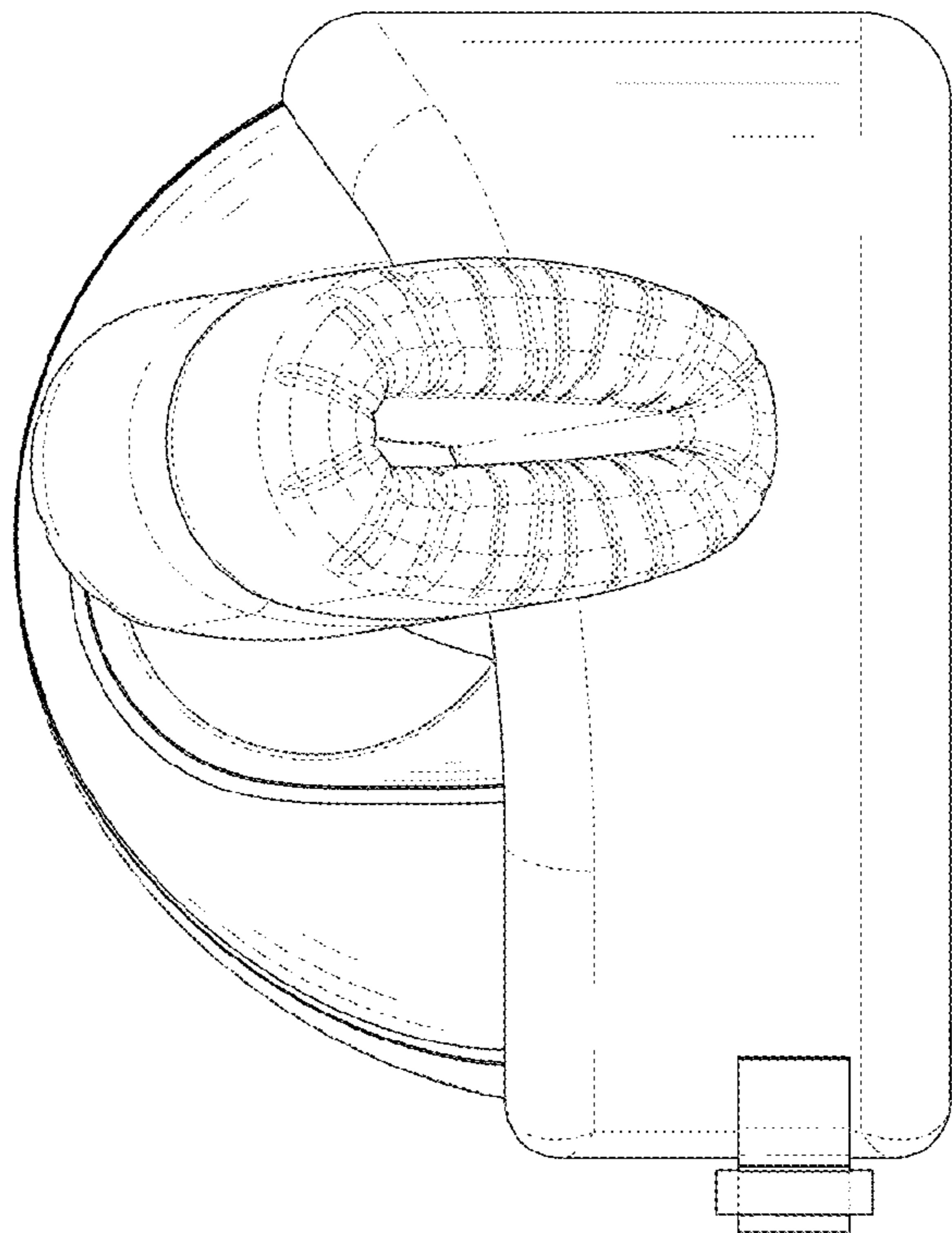


FIG. 6

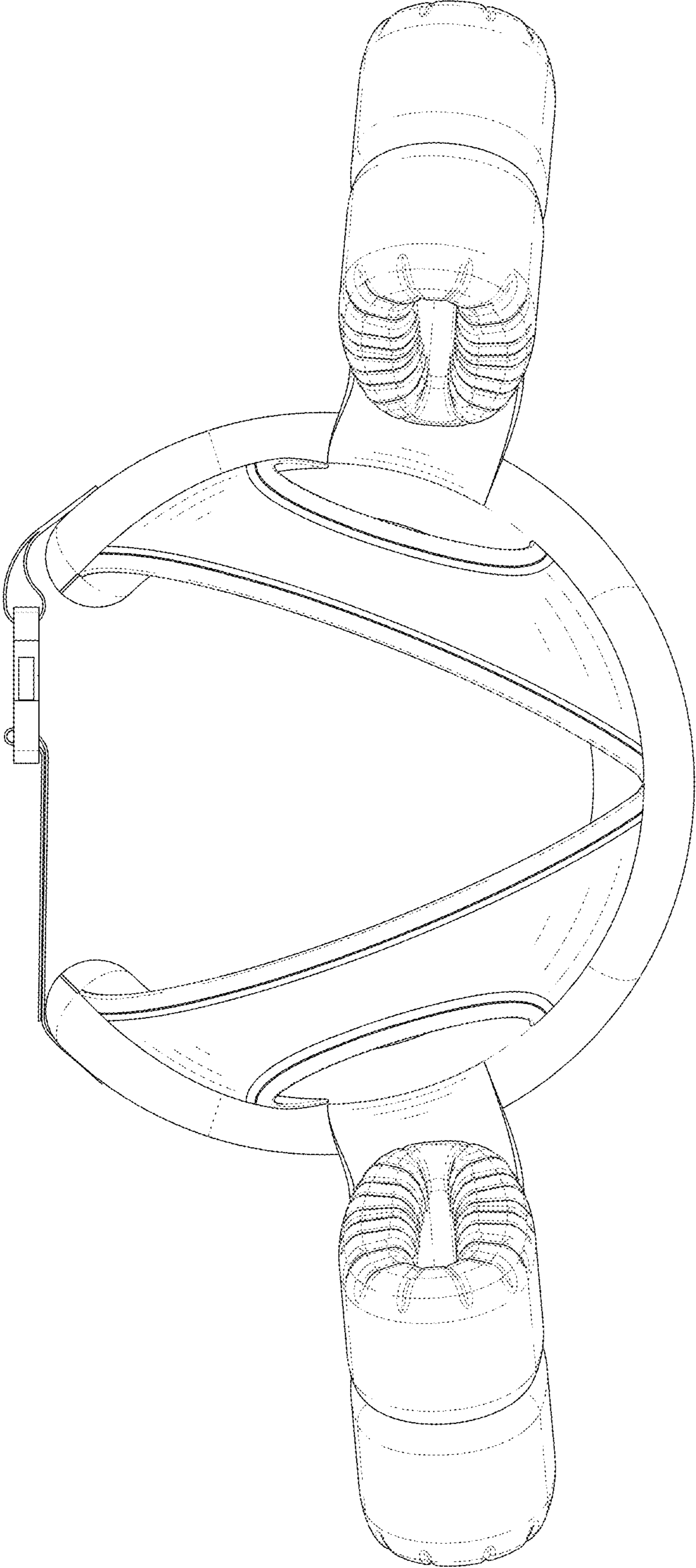


FIG. 7

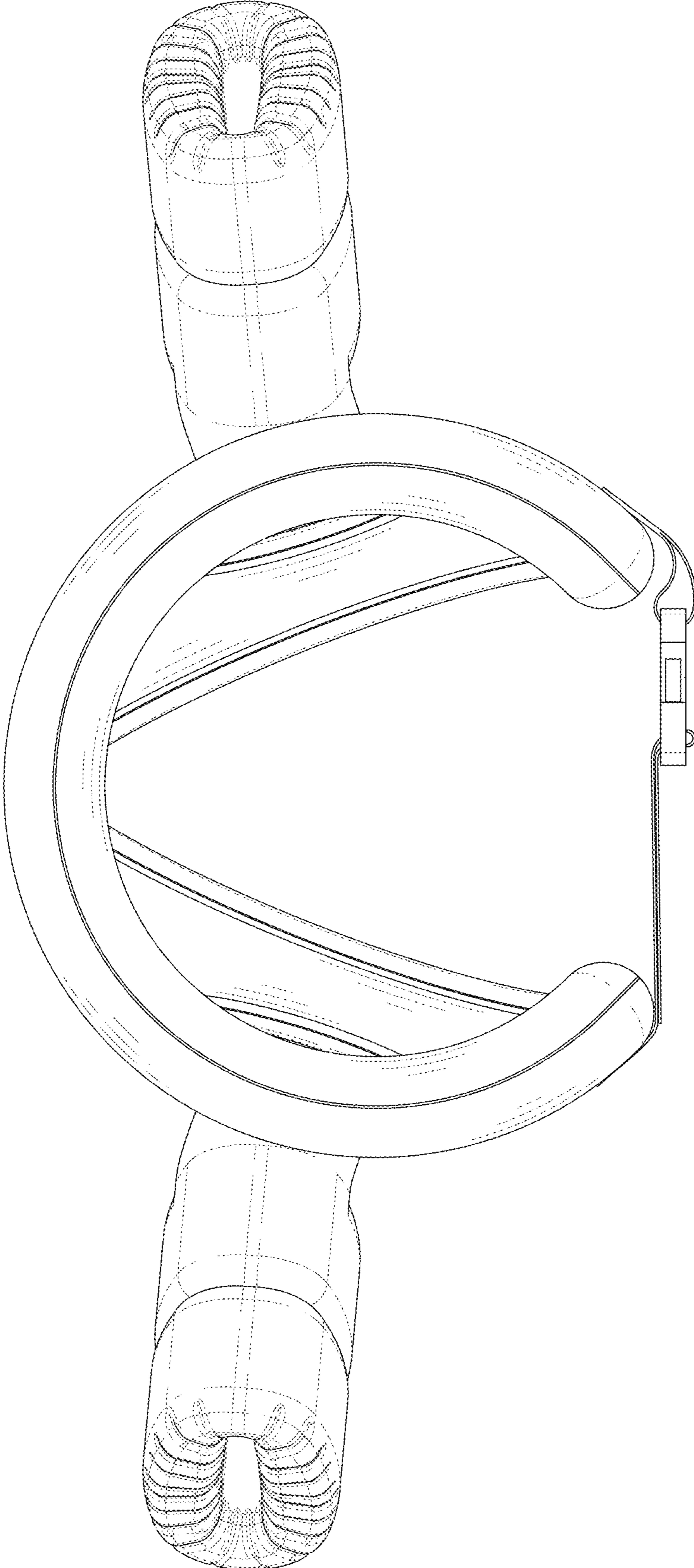


FIG. 8