



US00D977048S

(12) **United States Design Patent**  
**Cooper et al.**

(10) **Patent No.:** **US D977,048 S**  
(45) **Date of Patent:** **\*\* Jan. 31, 2023**

(54) **GOLF RANGE STAND**

(71) Applicant: **GolfStatus, Inc.**, Lincoln, NE (US)

(72) Inventors: **Larry Cooper**, Lincoln, NE (US);  
**Ryan Cooper**, Lincoln, NE (US); **Zach Peed**, Lincoln, NE (US); **Fred Schneider**, Lincoln, NE (US); **Dane Stahr**, Lincoln, NE (US); **Katie Casillas**, Lincoln, NE (US)

(73) Assignee: **GolfStatus, Inc.**, Lincoln, NE (US)

(\*\*) Term: **15 Years**

(21) Appl. No.: **29/693,773**

(22) Filed: **Jun. 5, 2019**

(51) **LOC (14) Cl.** ..... **21-02**

(52) **U.S. Cl.**  
USPC ..... **D21/796**

(58) **Field of Classification Search**  
USPC ..... D21/789, 796; D6/552, 672-673  
CPC ..... A47B 81/00; A63B 71/00; A63B 71/0036;  
A63B 60/56; A63B 47/00; A63B 57/20;  
A63B 55/00; A63B 55/10; A63B 55/50  
See application file for complete search history.

(56) **References Cited**

**U.S. PATENT DOCUMENTS**

2,122,770	A *	7/1938	Colin	.....	C14B 1/26
					211/208
2,452,929	A *	11/1948	Holcomb	.....	B62B 1/042
					280/652
3,164,256	A *	1/1965	Bennett	.....	A47F 7/0028
					211/70.5
4,045,103	A *	8/1977	Paolino	.....	A47B 81/00
					312/198

(Continued)

*Primary Examiner* — Mitchell I. Siegel

(74) *Attorney, Agent, or Firm* — Suiter Swantz pc llo

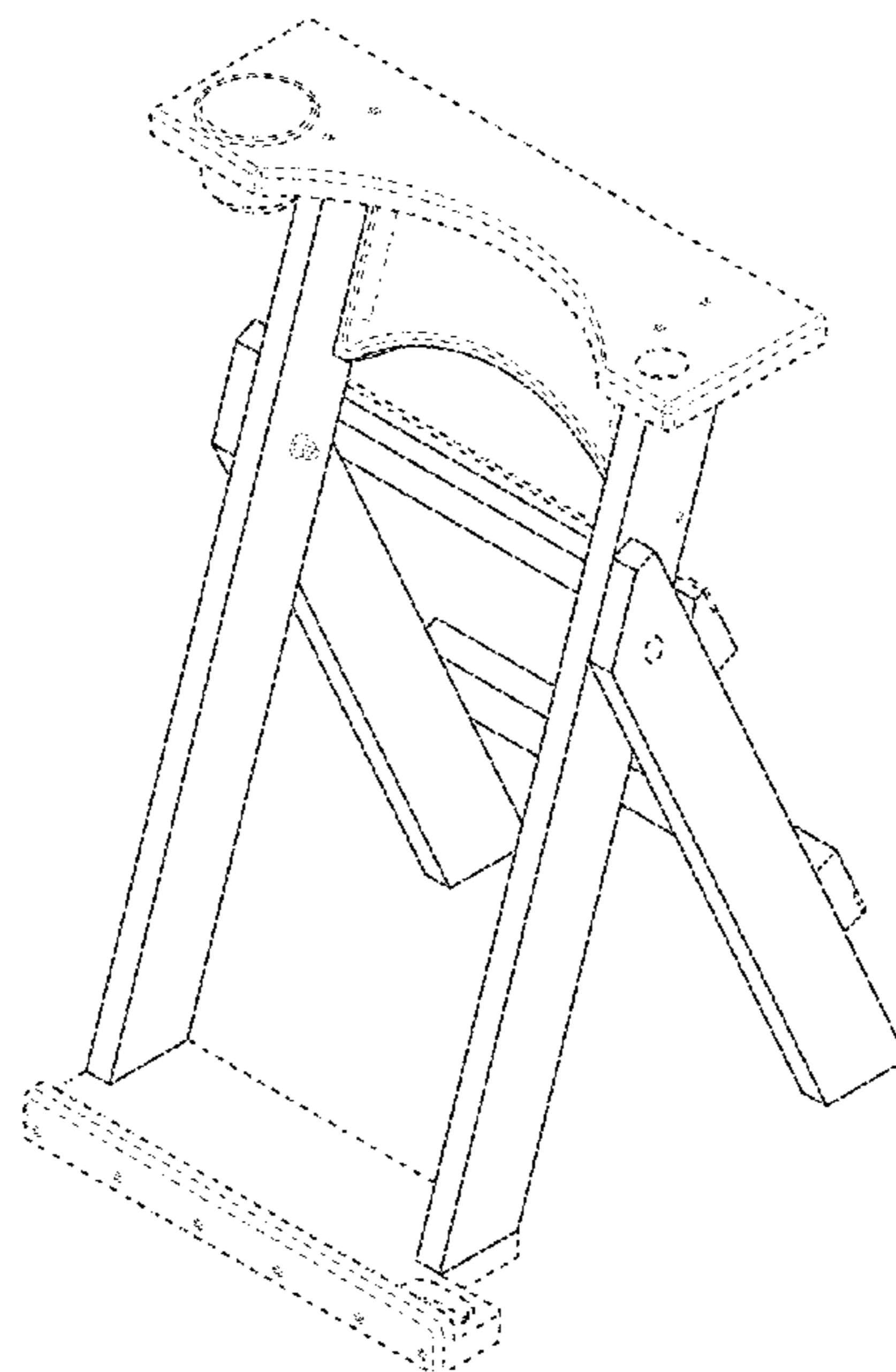
(57) **CLAIM**

The ornamental design for a golf range stand, as shown and described.

**DESCRIPTION**

FIG. 1 is a top and front perspective view of the new golf range stand;  
 FIG. 2 is a top and rear perspective view thereof;  
 FIG. 3 is a right side elevational view thereof;  
 FIG. 4 is a front elevational view thereof;  
 FIG. 5 is a left side elevational view thereof;  
 FIG. 6 is a rear elevational view thereof;  
 FIG. 7 is a bottom plan view thereof;  
 FIG. 8 is a top plan view thereof;  
 FIG. 9 is another top and front perspective view of FIG. 1;  
 FIG. 10 is another top and front perspective view of FIG. 1;  
 FIG. 11 is another top and rear perspective view of FIG. 1;  
 FIG. 12 is a top and rear perspective view of FIG. 8;  
 FIG. 13 is a top and front perspective view of a second embodiment of the new golf range stand;  
 FIG. 14 is a top and rear perspective view of FIG. 13;  
 FIG. 15 is a right side elevational view of FIG. 13;  
 FIG. 16 is a front elevational view of FIG. 13;  
 FIG. 17 is a left side elevational view of FIG. 13;  
 FIG. 18 is a rear elevational view of FIG. 13;  
 FIG. 19 is a bottom plan view of FIG. 13;  
 FIG. 20 is a top plan view of FIG. 13;  
 FIG. 21 is an exploded top and front perspective view;  
 FIG. 22 is another top and front perspective view of FIG. 13;  
 FIG. 23 is another top and rear perspective view of FIG. 13;  
 and,  
 FIG. 24 is another top and rear perspective view of FIG. 13.  
 The broken lines shown form no part of the claimed design.

**1 Claim, 24 Drawing Sheets**



(56)

**References Cited**

U.S. PATENT DOCUMENTS

D292,457	S *	10/1987	Hunter .....	D6/682.2
D312,016	S *	11/1990	Montgomery .....	D6/552
D317,231	S *	6/1991	Montgomery .....	D6/552
5,087,003	A *	2/1992	Montgomery .....	A63B 71/0036
				248/96
D358,280	S *	5/1995	LaFontaine .....	D6/552
D365,705	S *	1/1996	Deeley .....	D6/552
D380,637	S *	7/1997	Funk .....	D6/552
D381,541	S *	7/1997	Allendorph .....	D6/552
D382,158	S *	8/1997	Allendorph .....	D6/552
D394,291	S *	5/1998	Beltran .....	D6/552
D394,691	S *	5/1998	DiCesari .....	D21/796
D409,033	S *	5/1999	Wittek, Sr. ....	D6/552
D434,587	S *	12/2000	Beard, Sr. ....	D21/796
D622,086	S *	8/2010	Leung .....	D6/552
8,479,928	B2 *	7/2013	Tanabe .....	A63B 71/0045
				211/186
D824,483	S *	7/2018	Byrd .....	D22/147
D882,709	S *	4/2020	Mickley .....	D21/789
D922,792	S *	6/2021	Yang .....	D6/552

\* cited by examiner

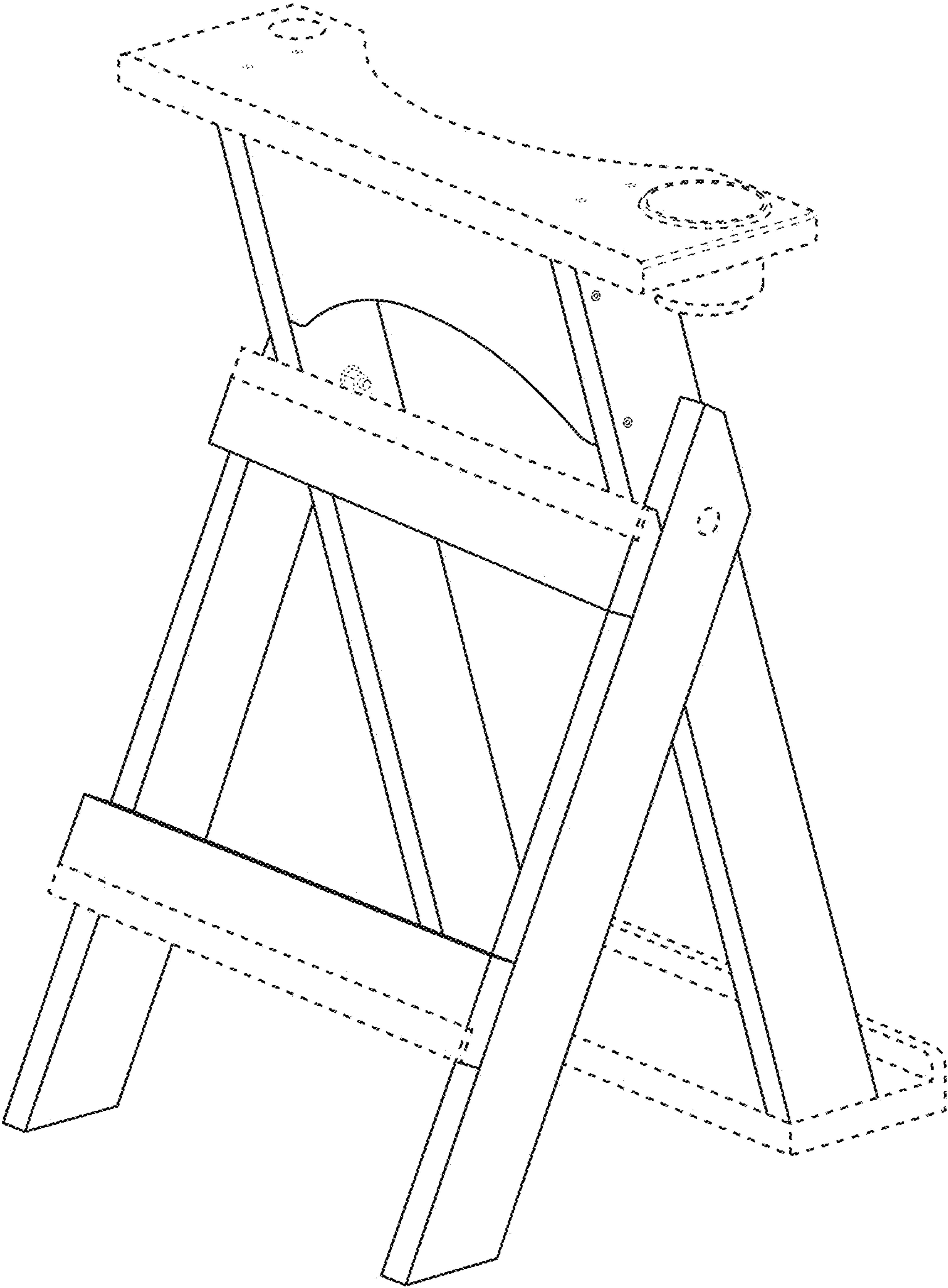


FIG. 1

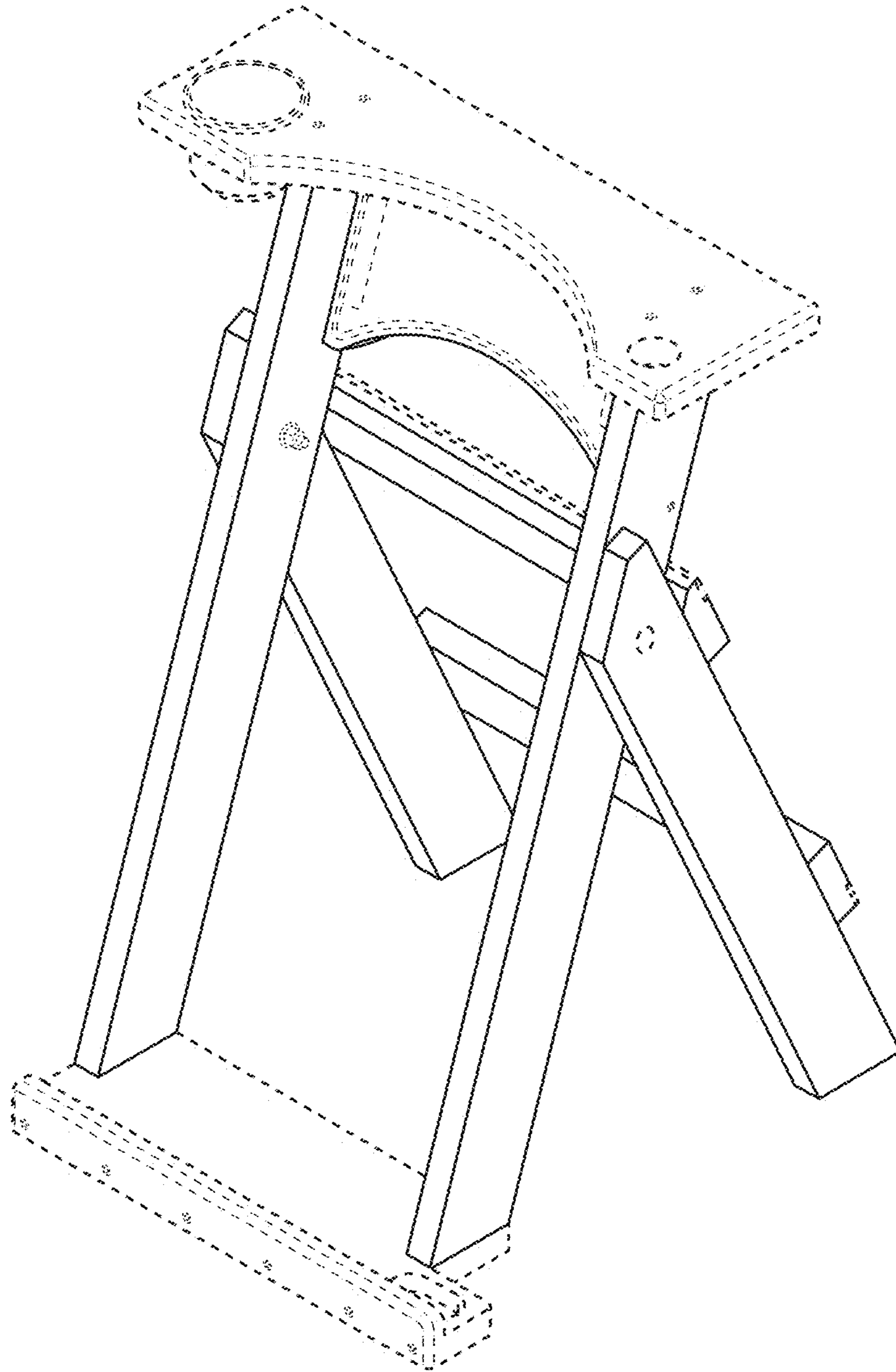


FIG. 2

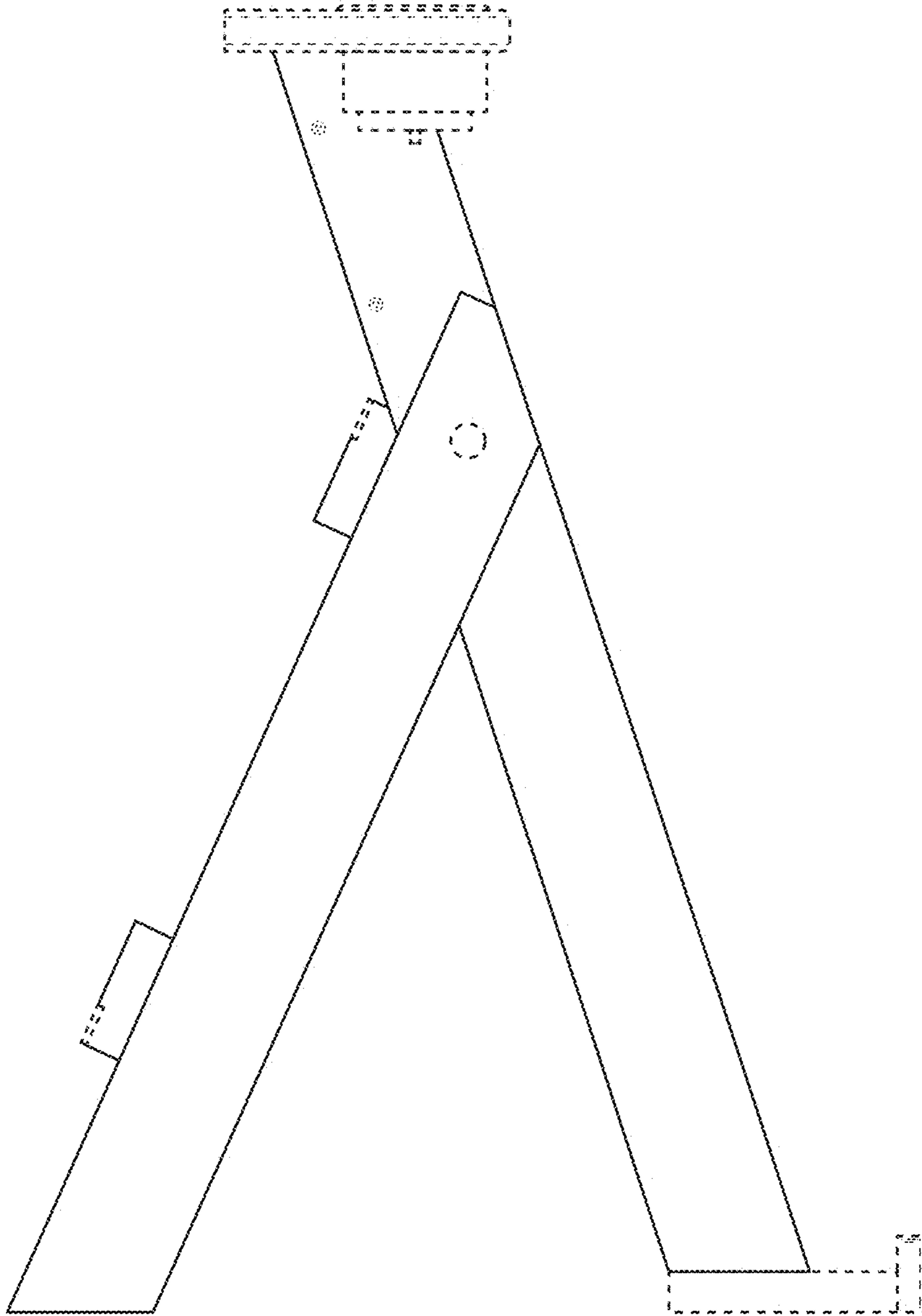


FIG. 3

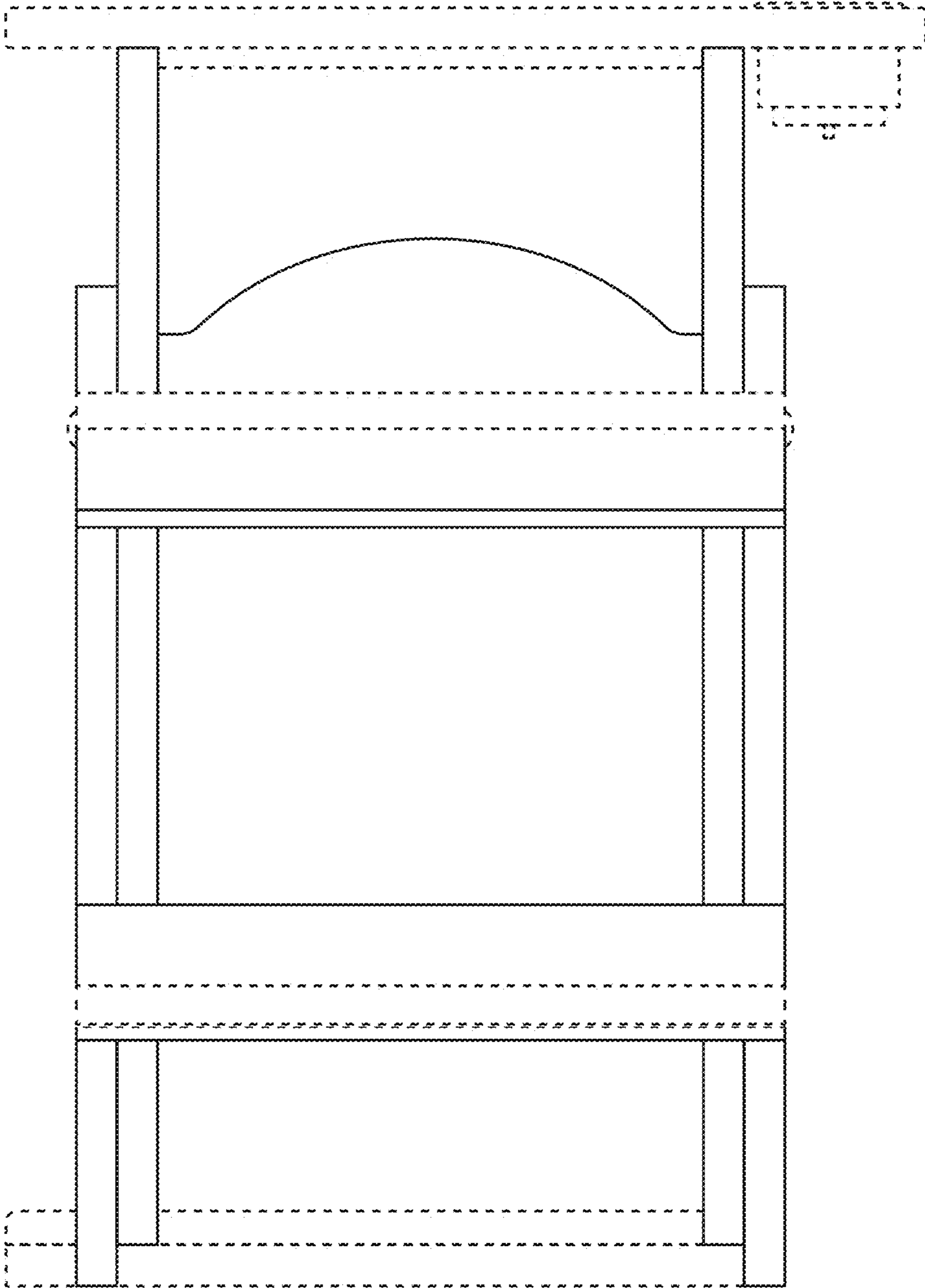


FIG.4

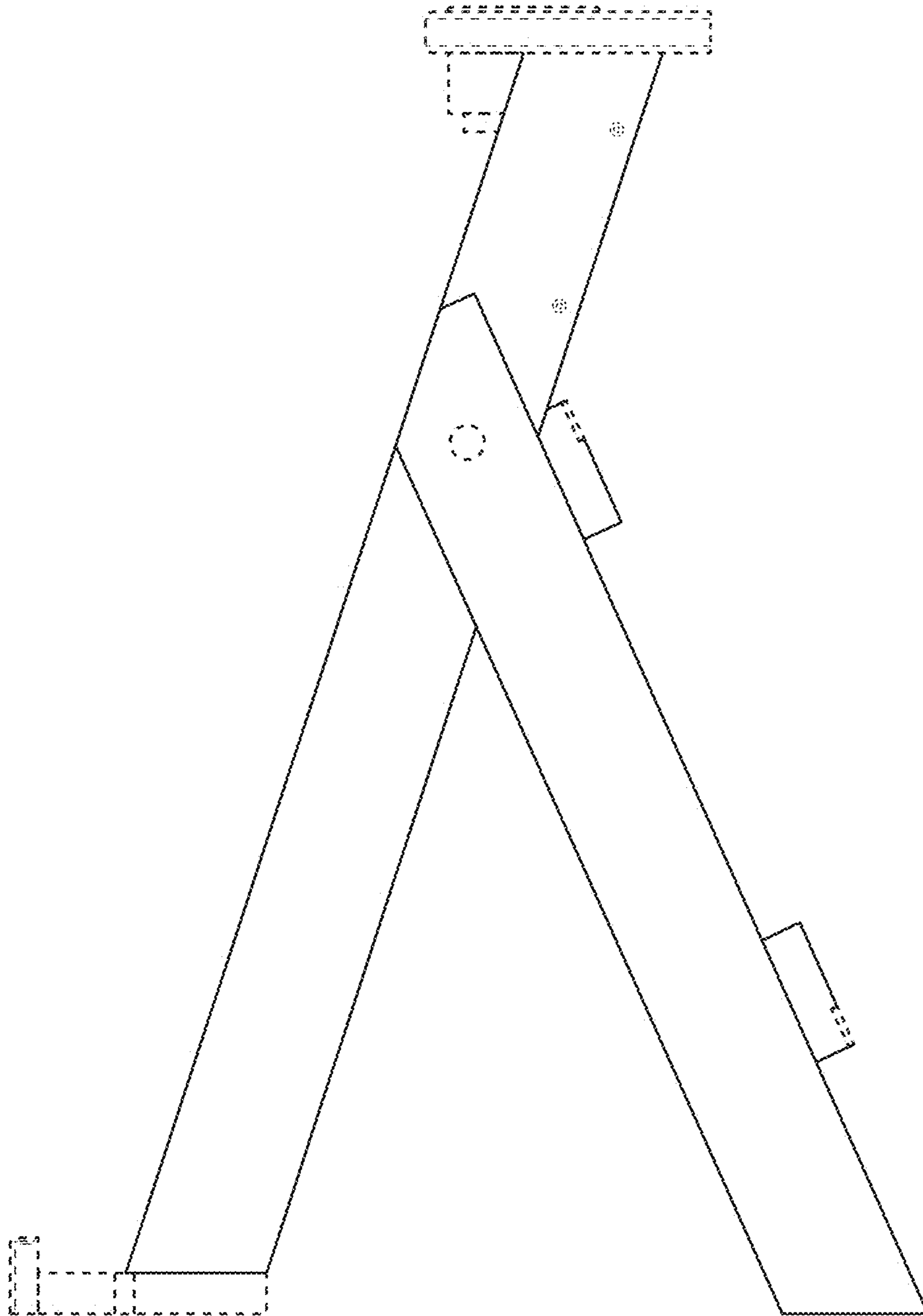


FIG. 5

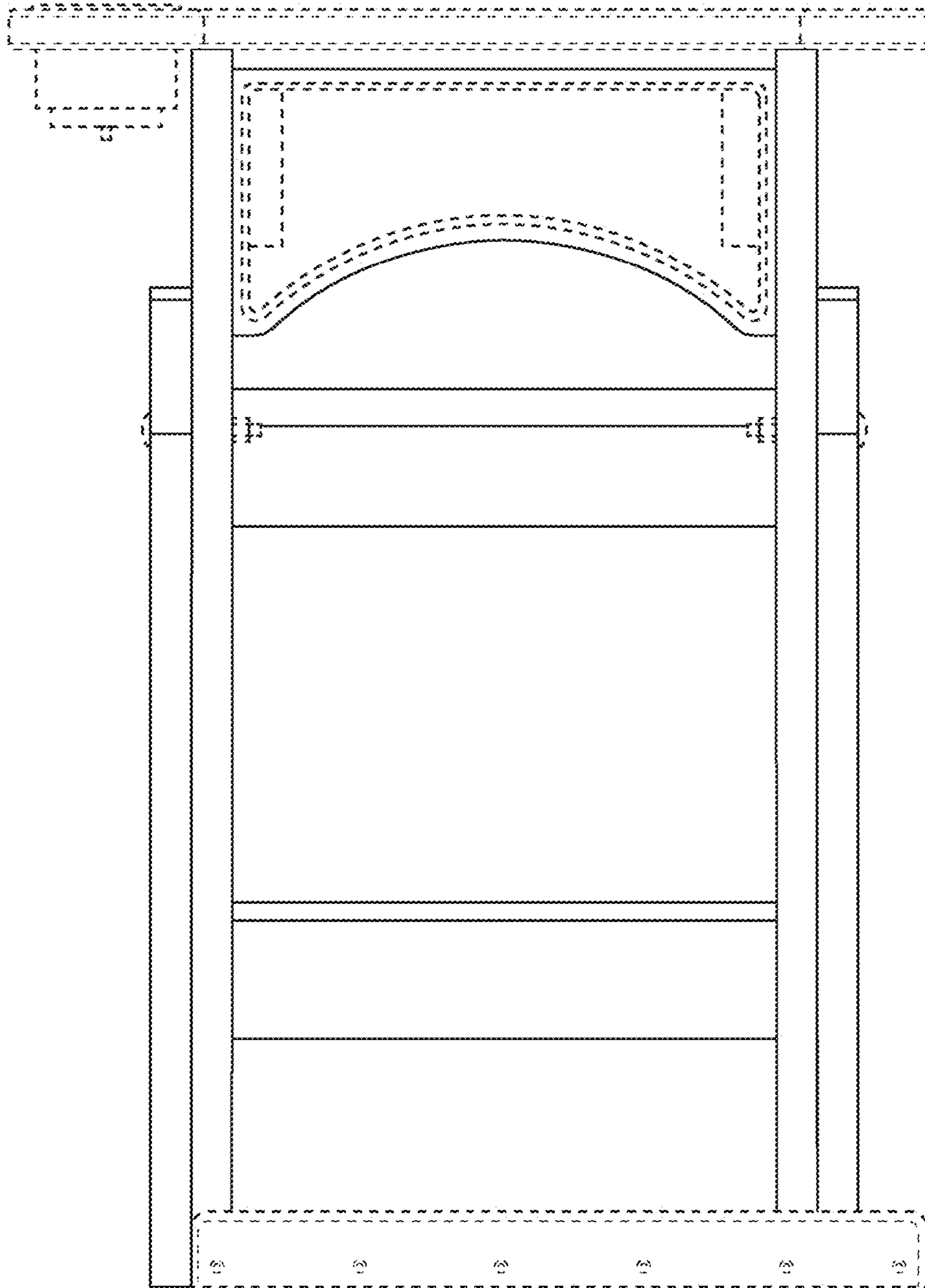


FIG.6



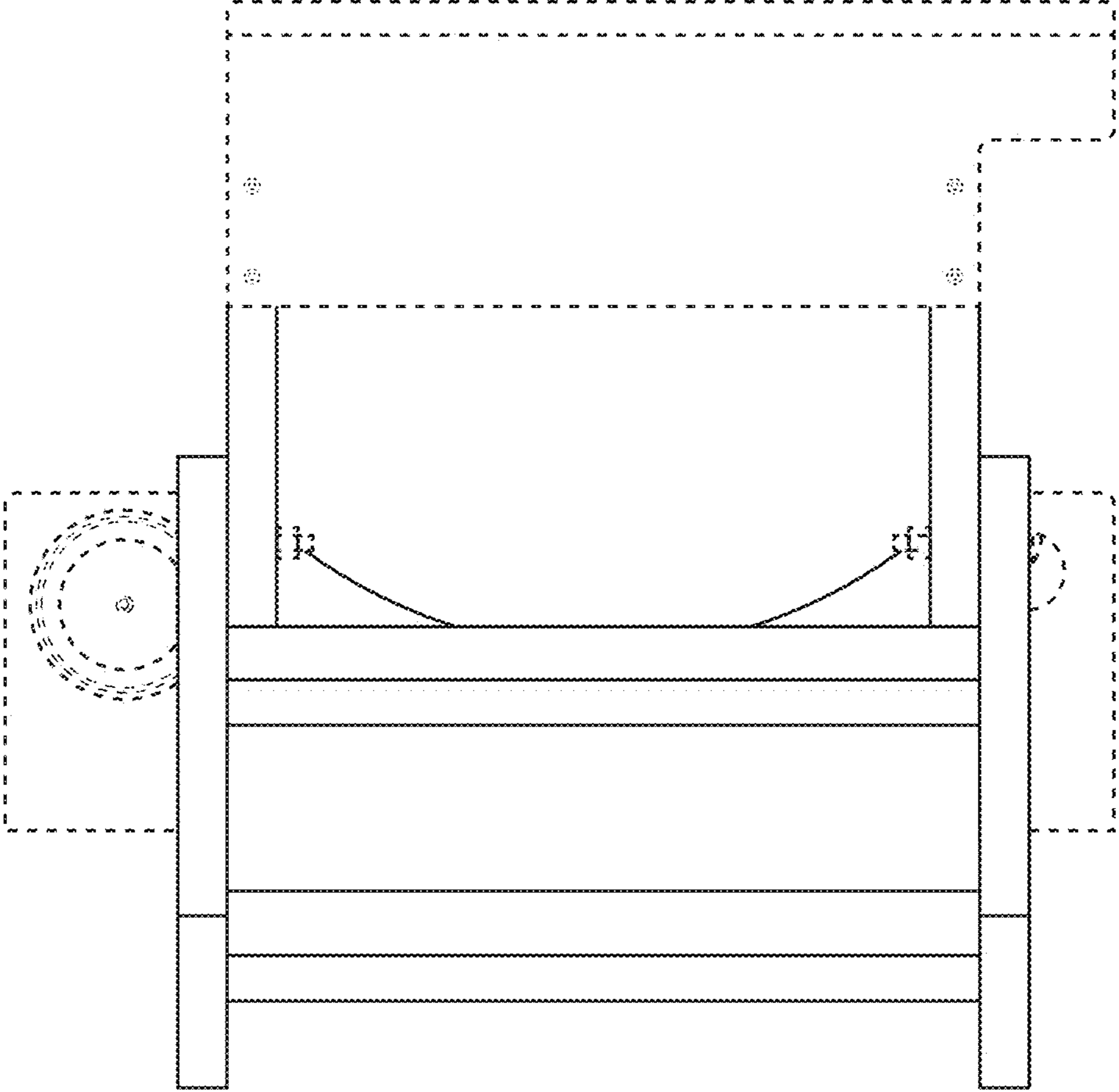


FIG. 7

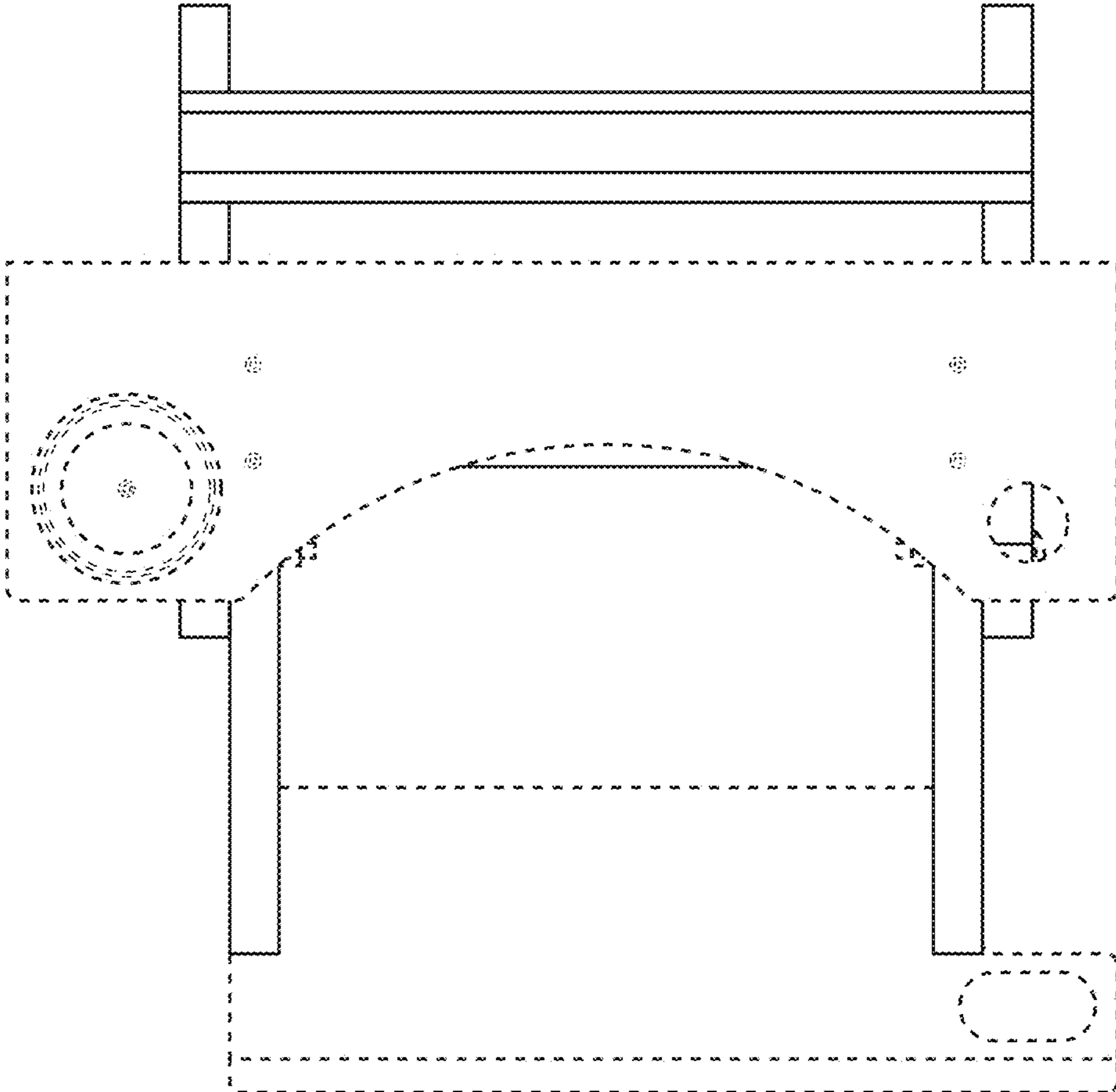


FIG. 8

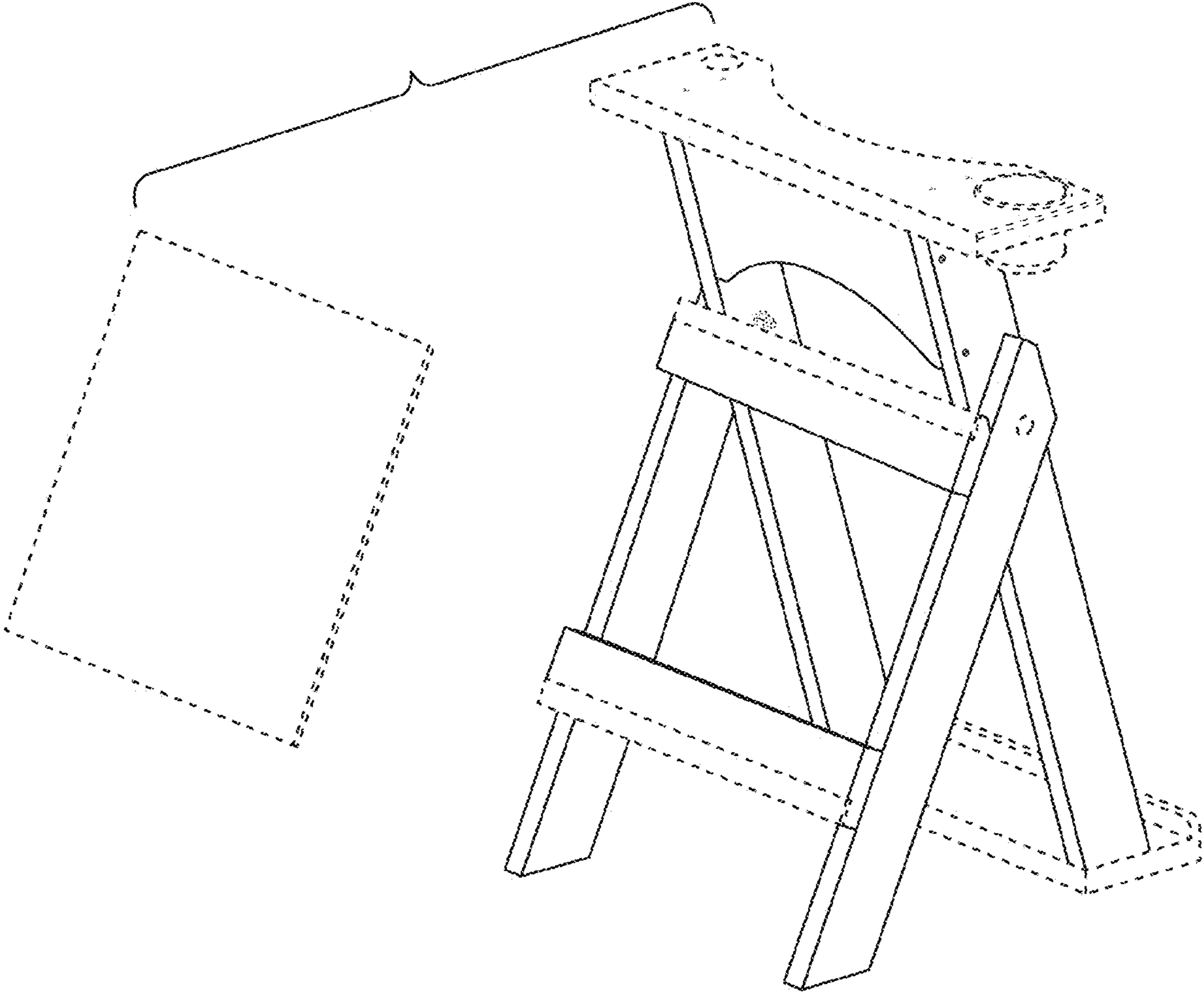


FIG. 9

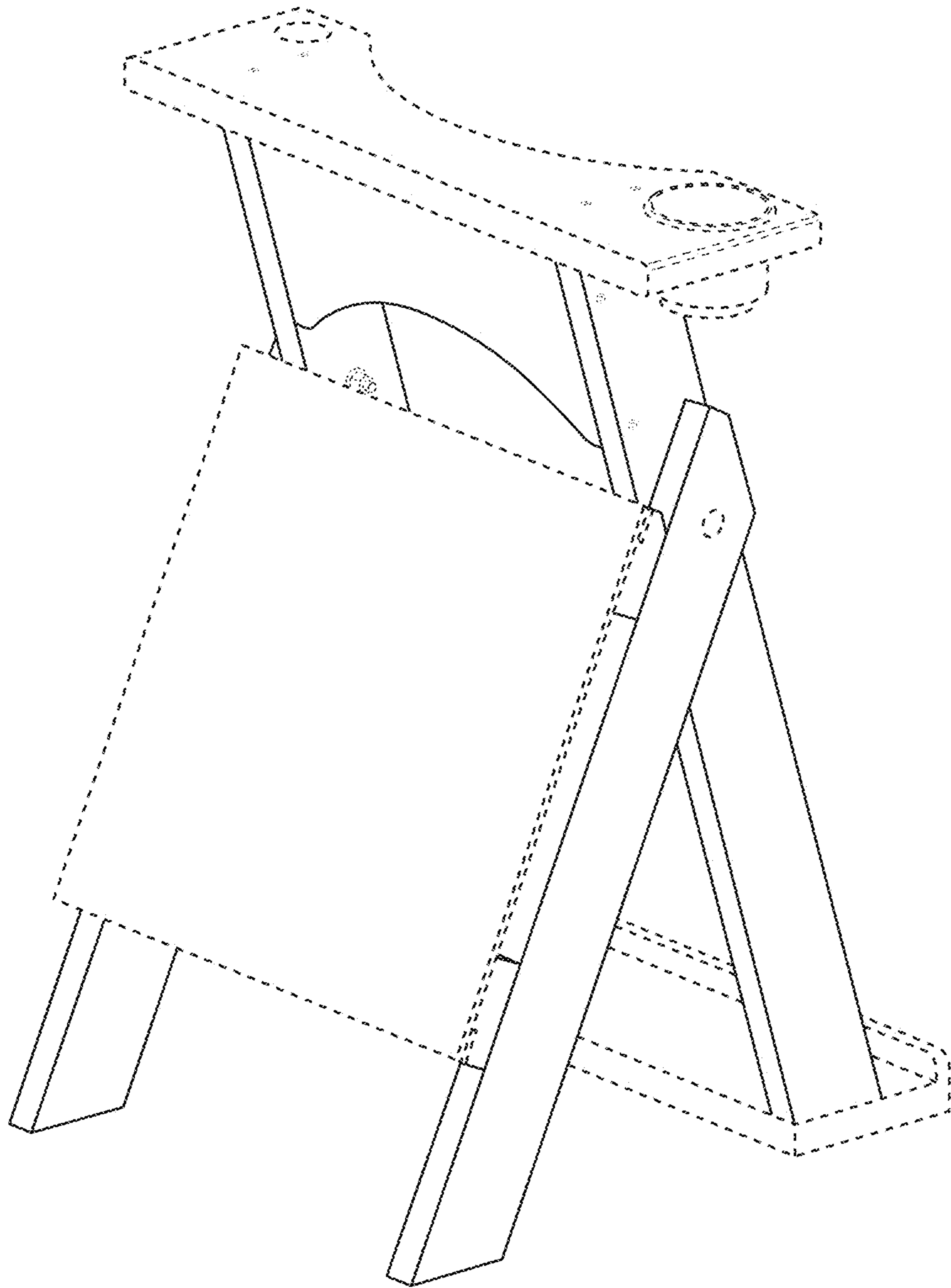


FIG. 10

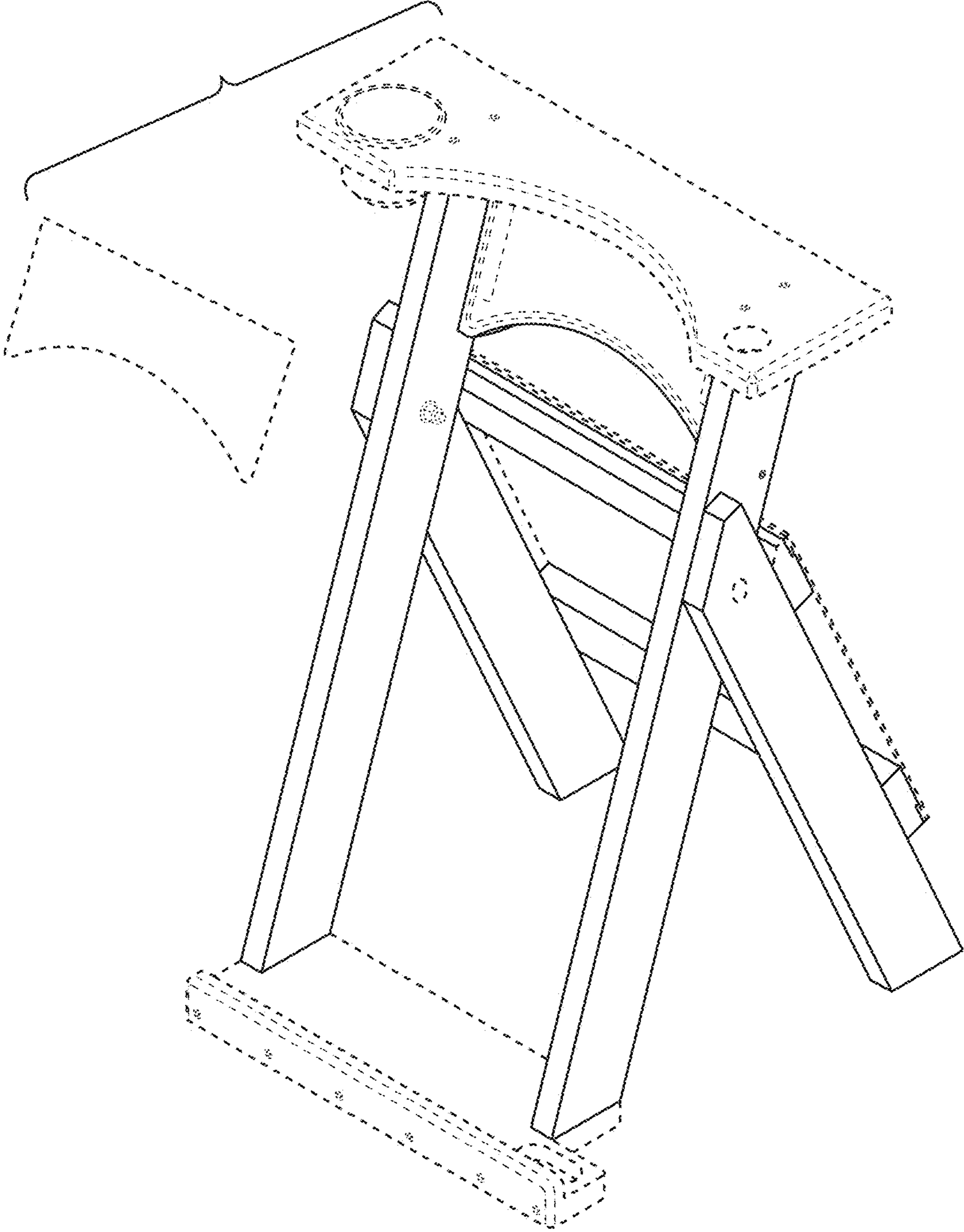


FIG. 11

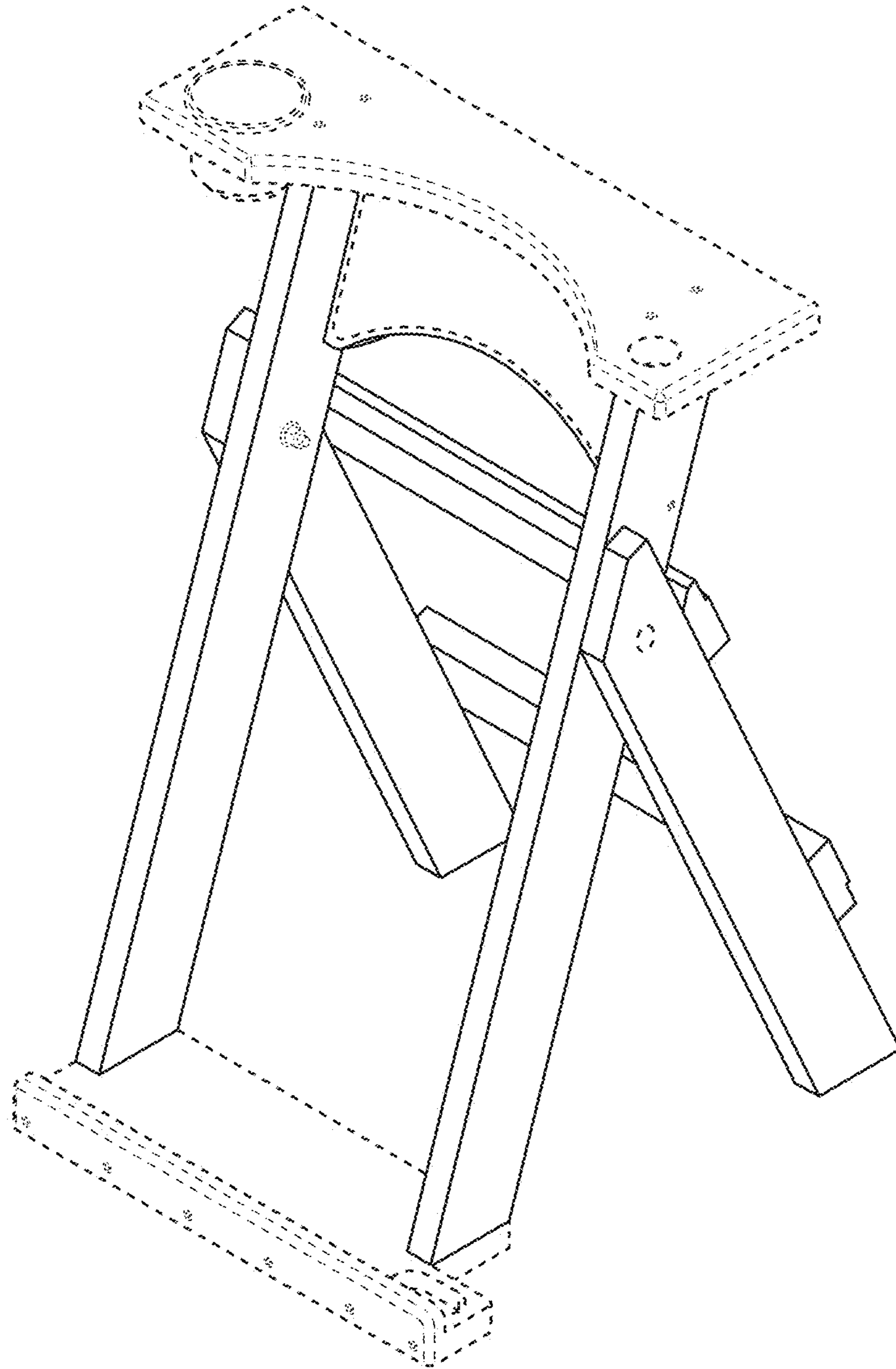


FIG. 12

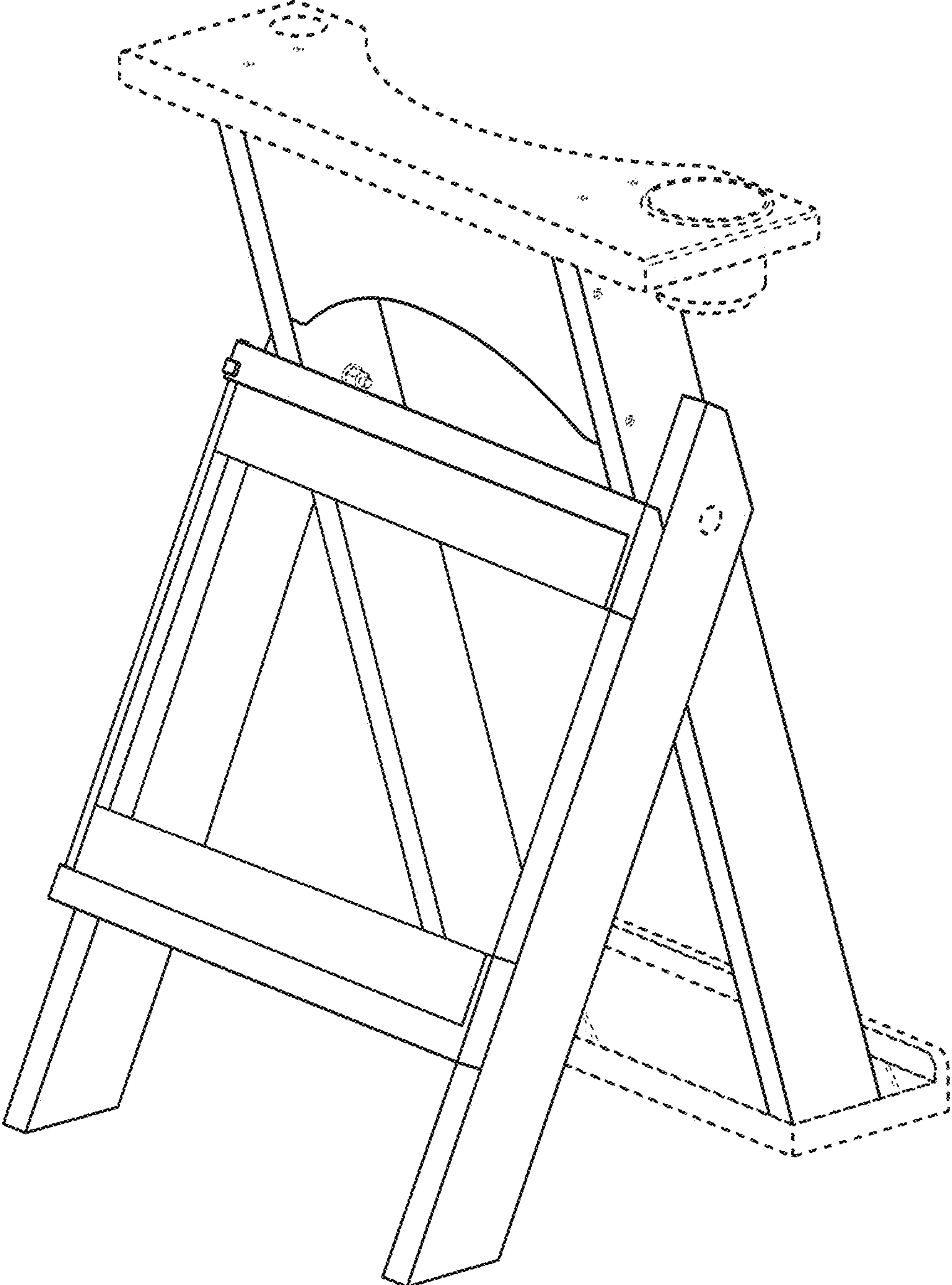


FIG. 13

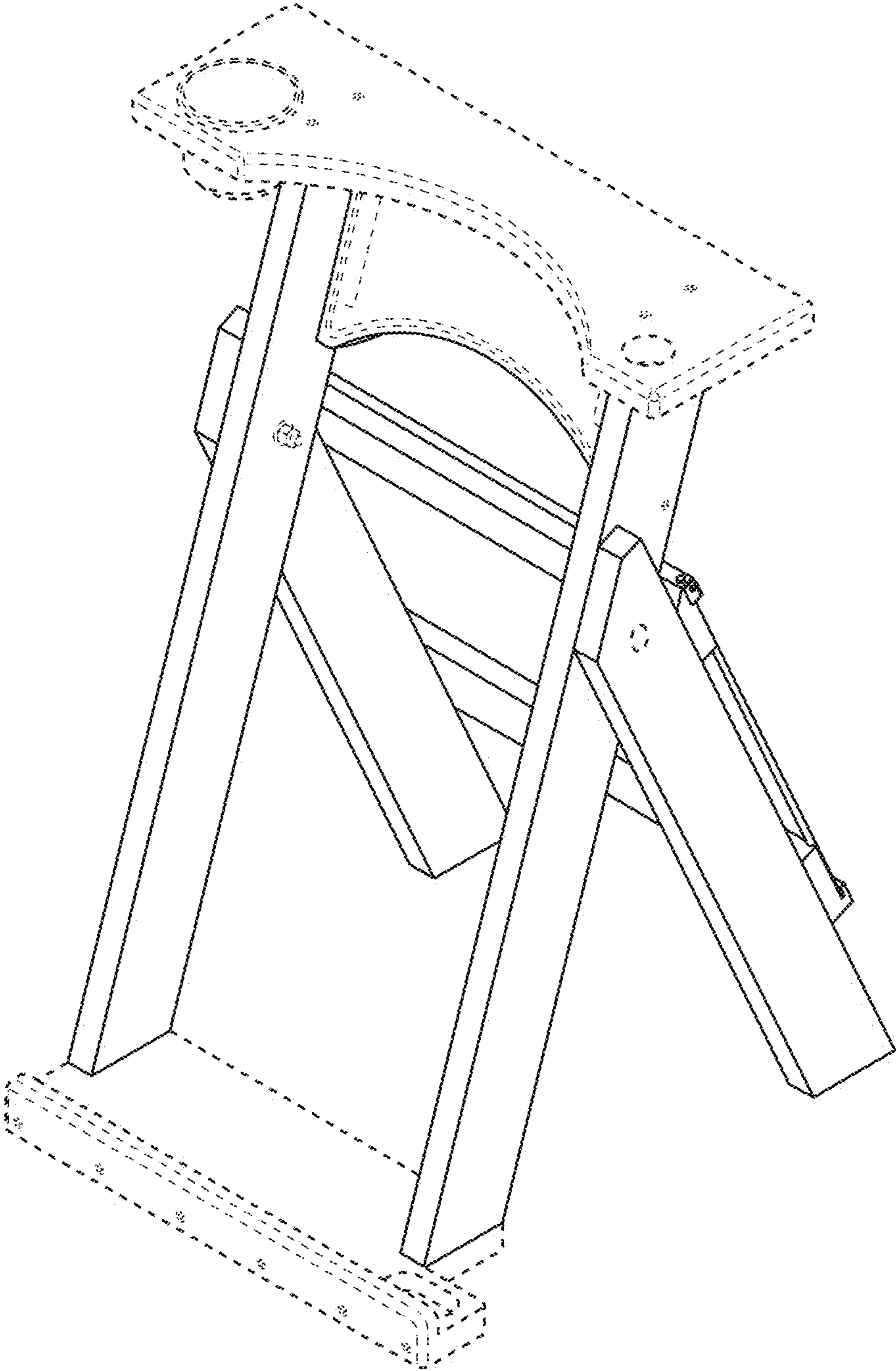


FIG. 14



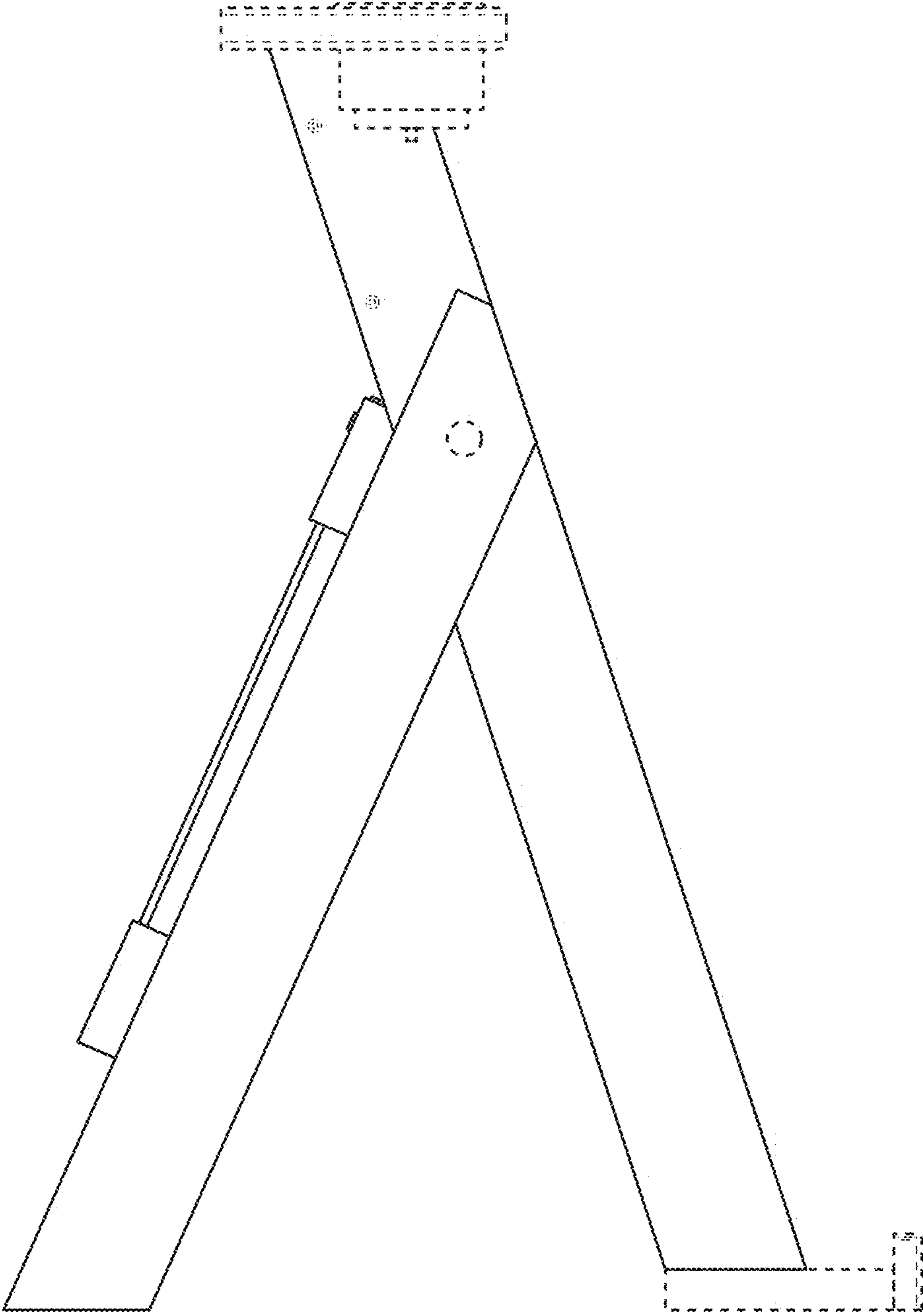


FIG. 15

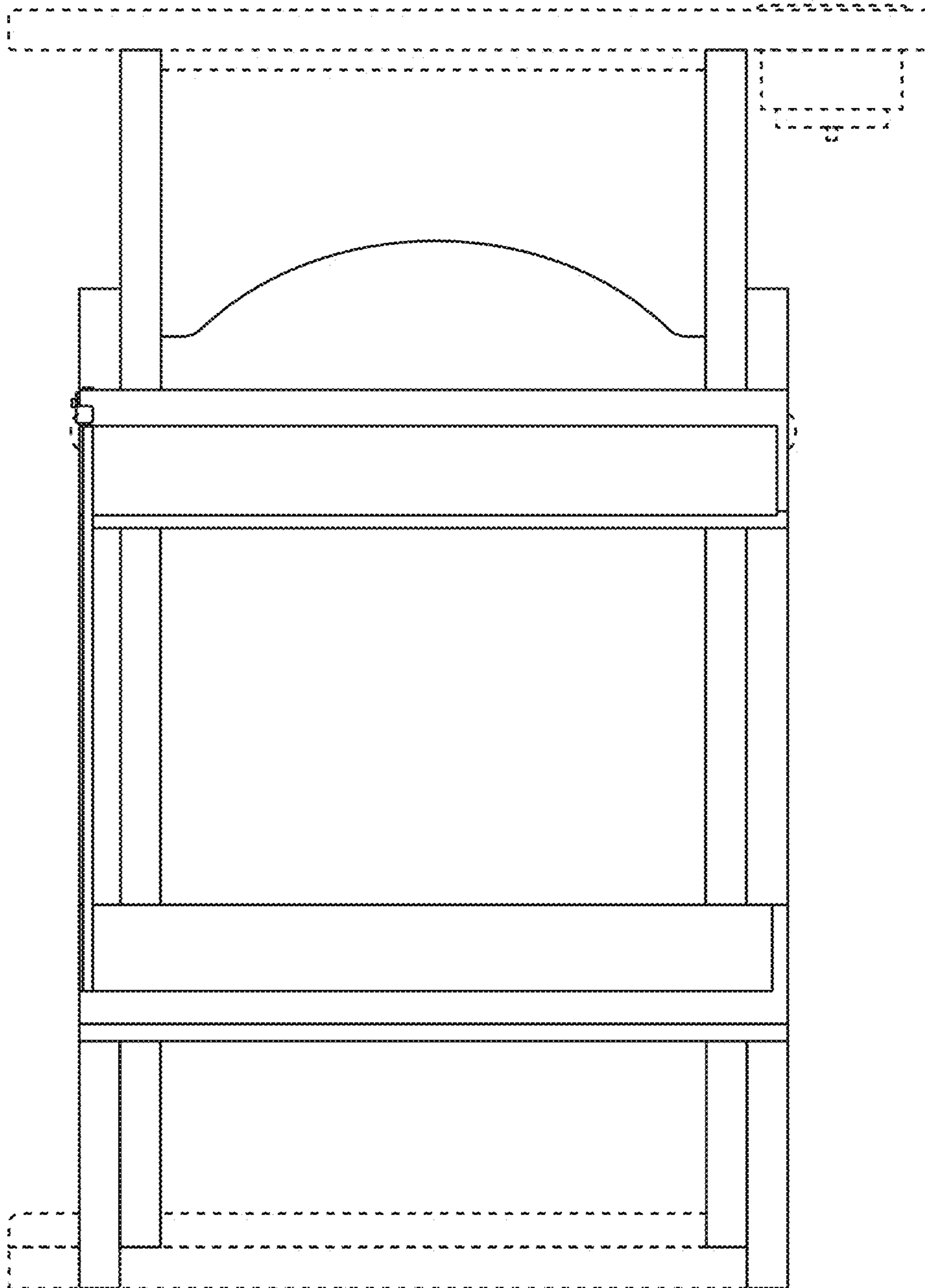


FIG. 16

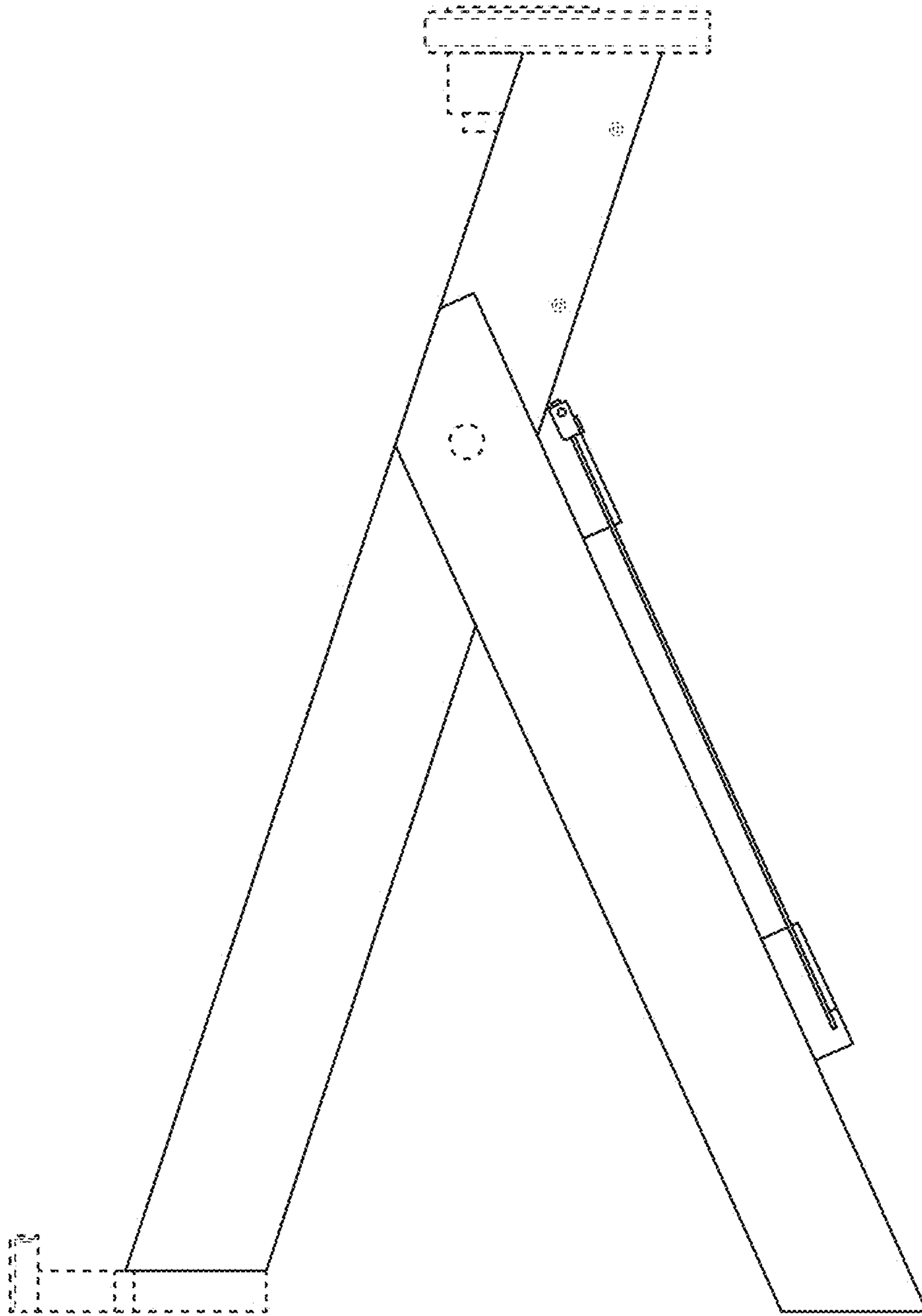


FIG. 17

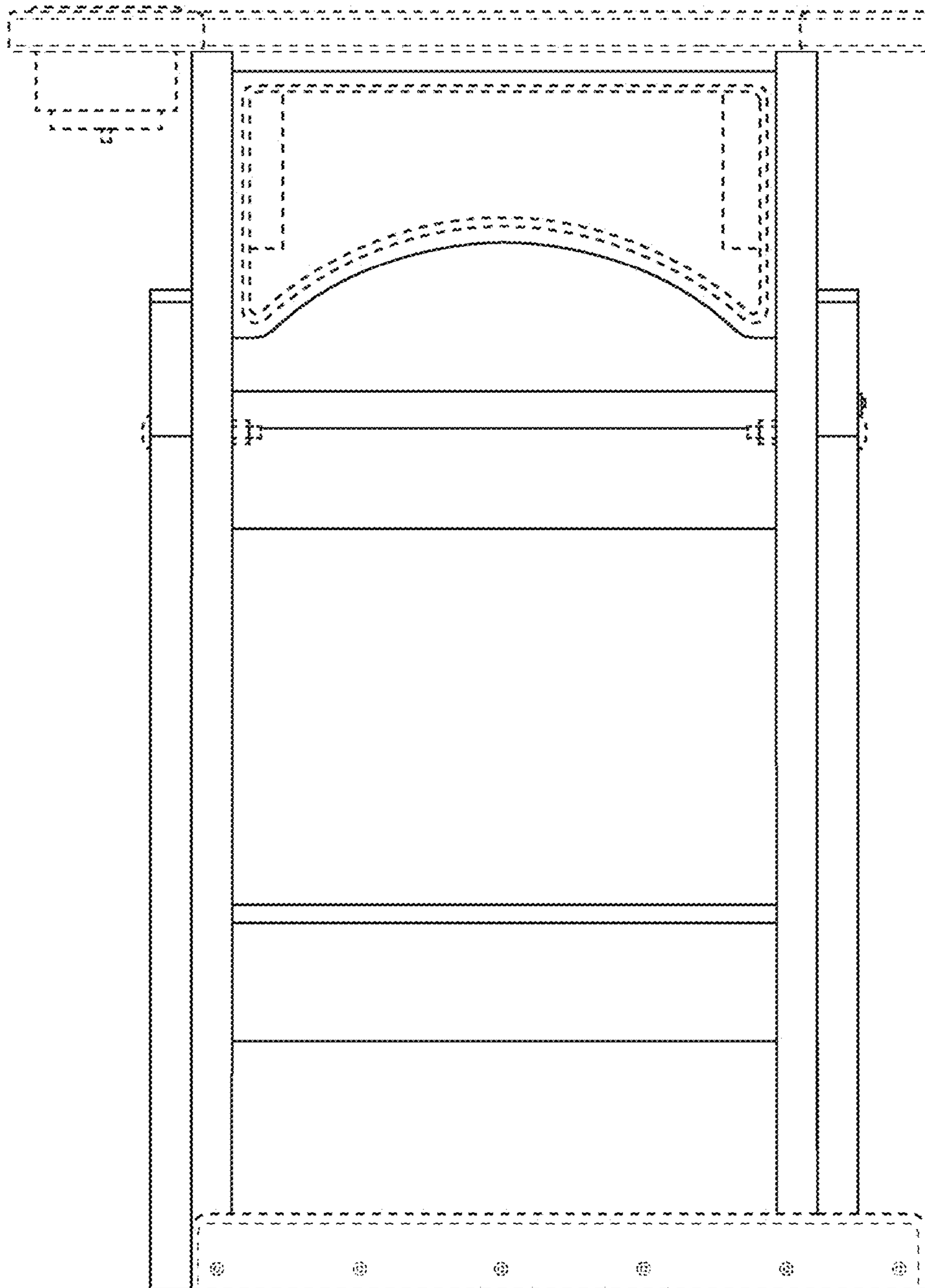


FIG. 18

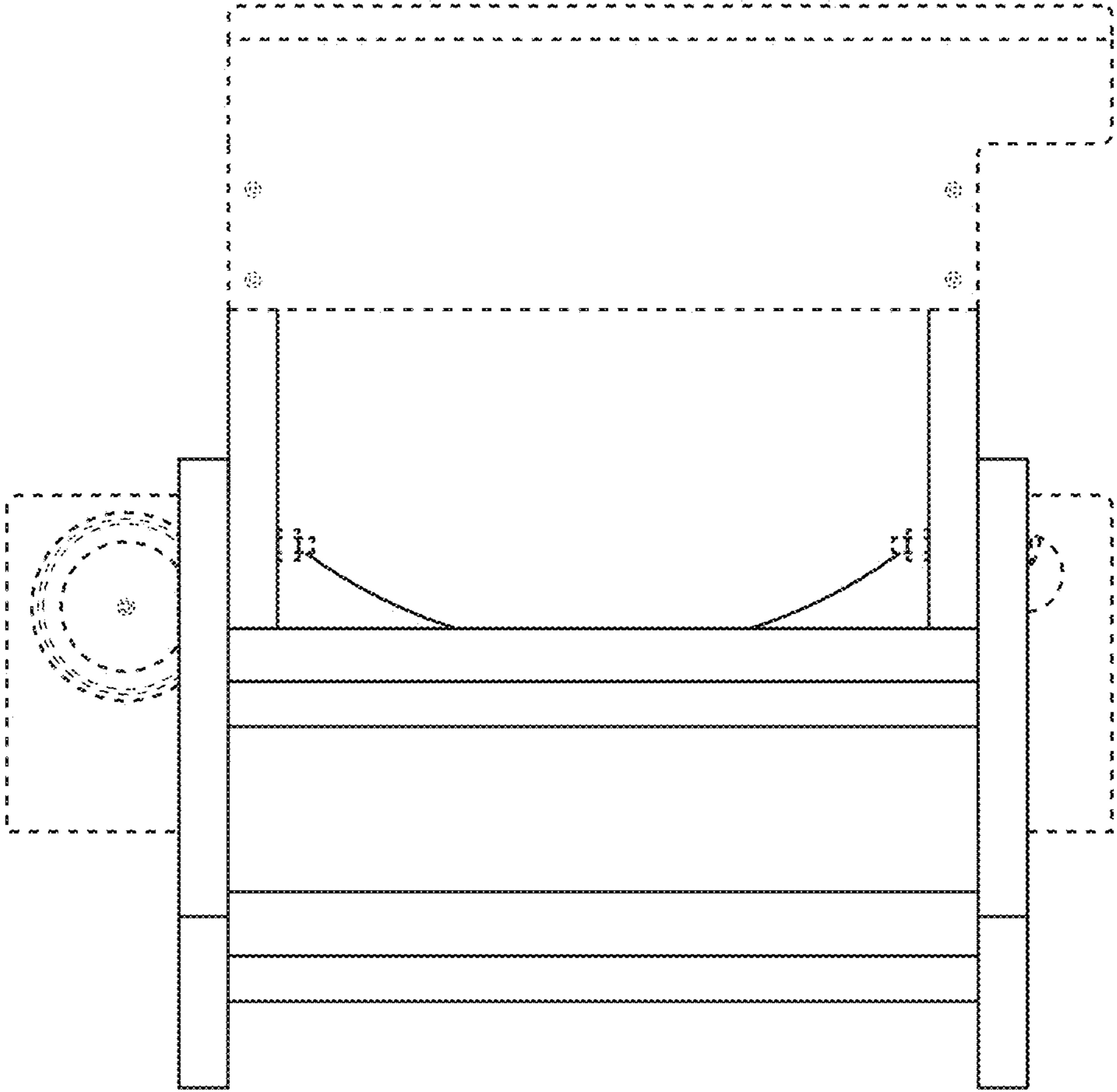


FIG. 19

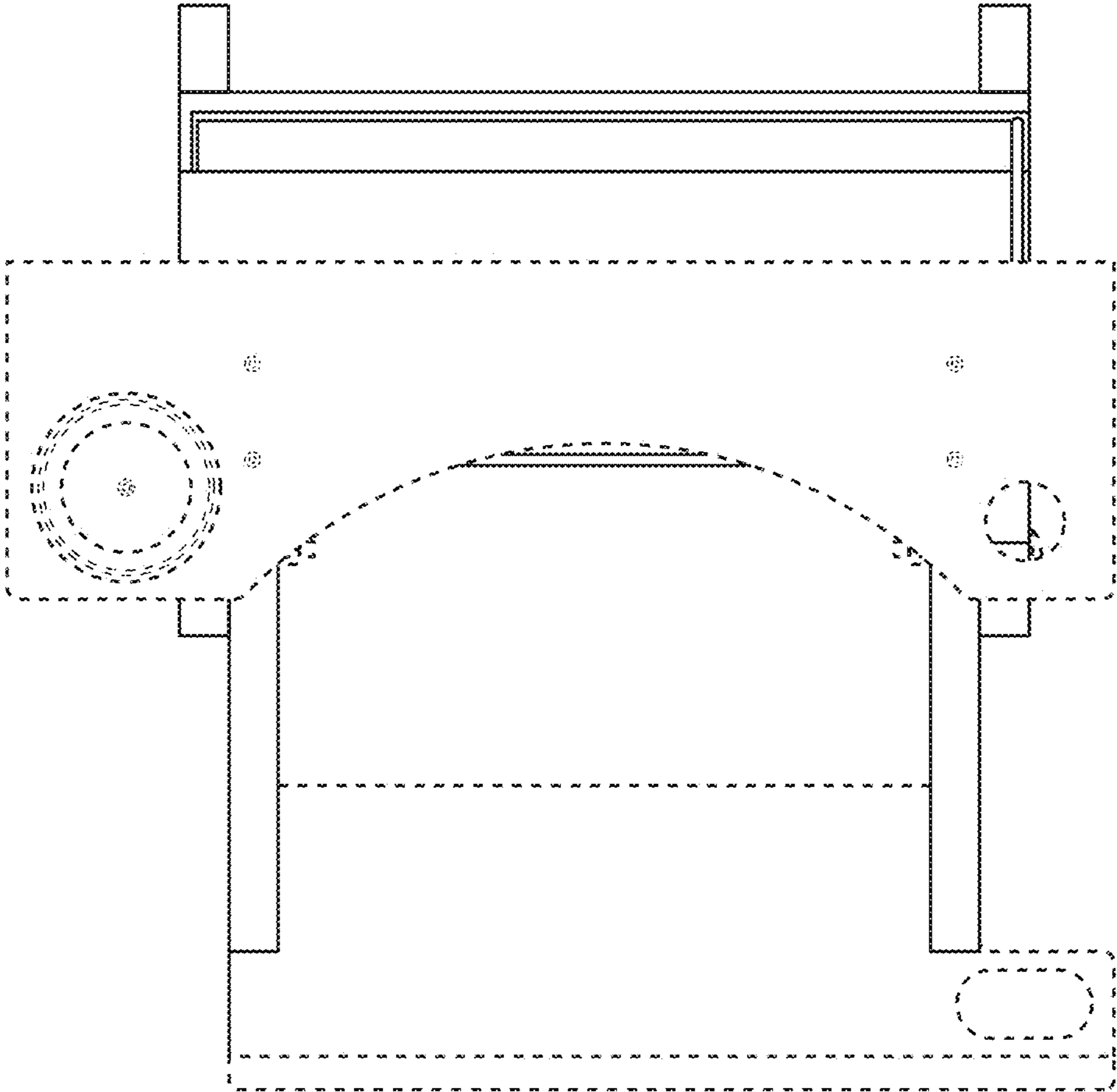


FIG. 20

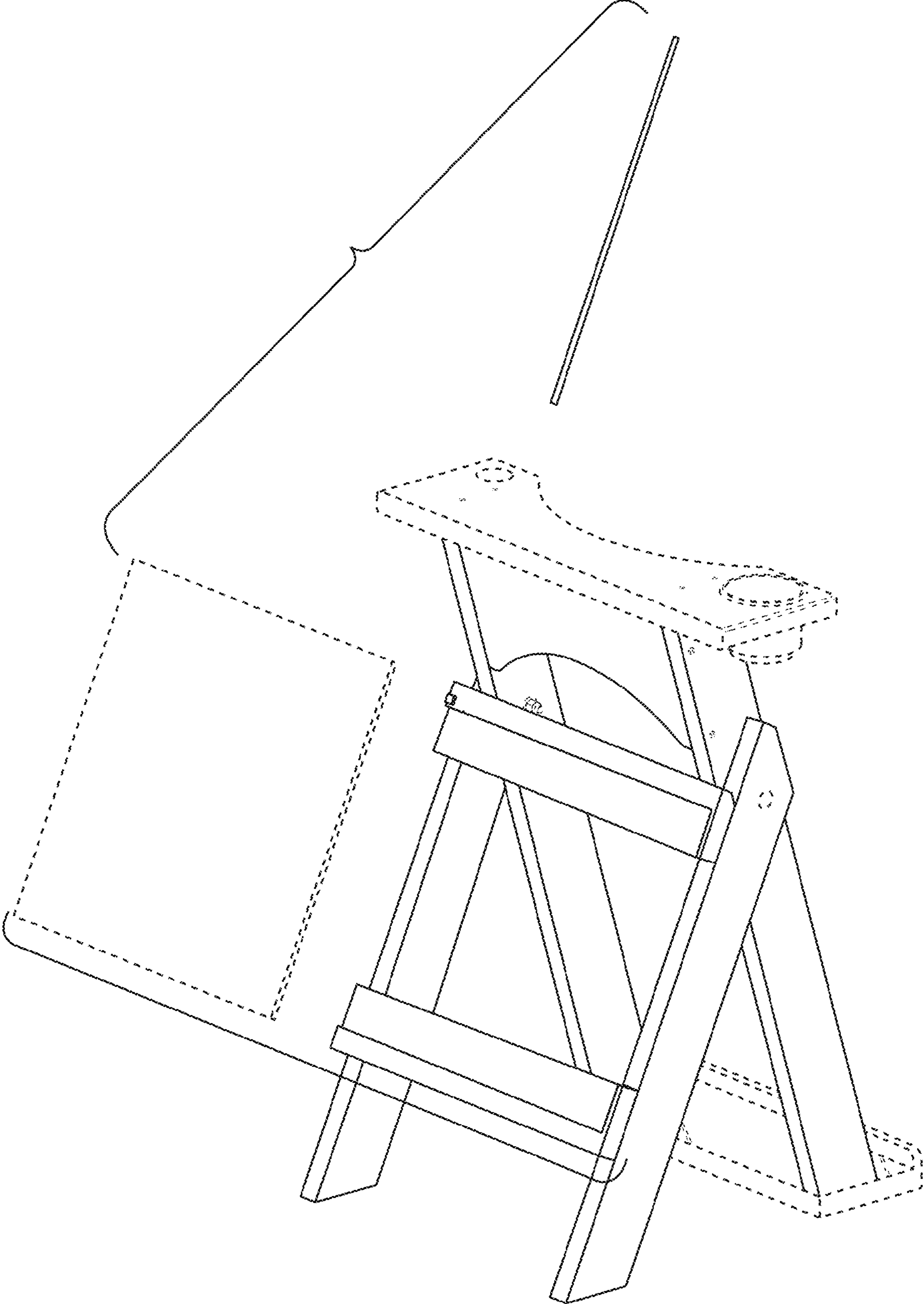


FIG.21

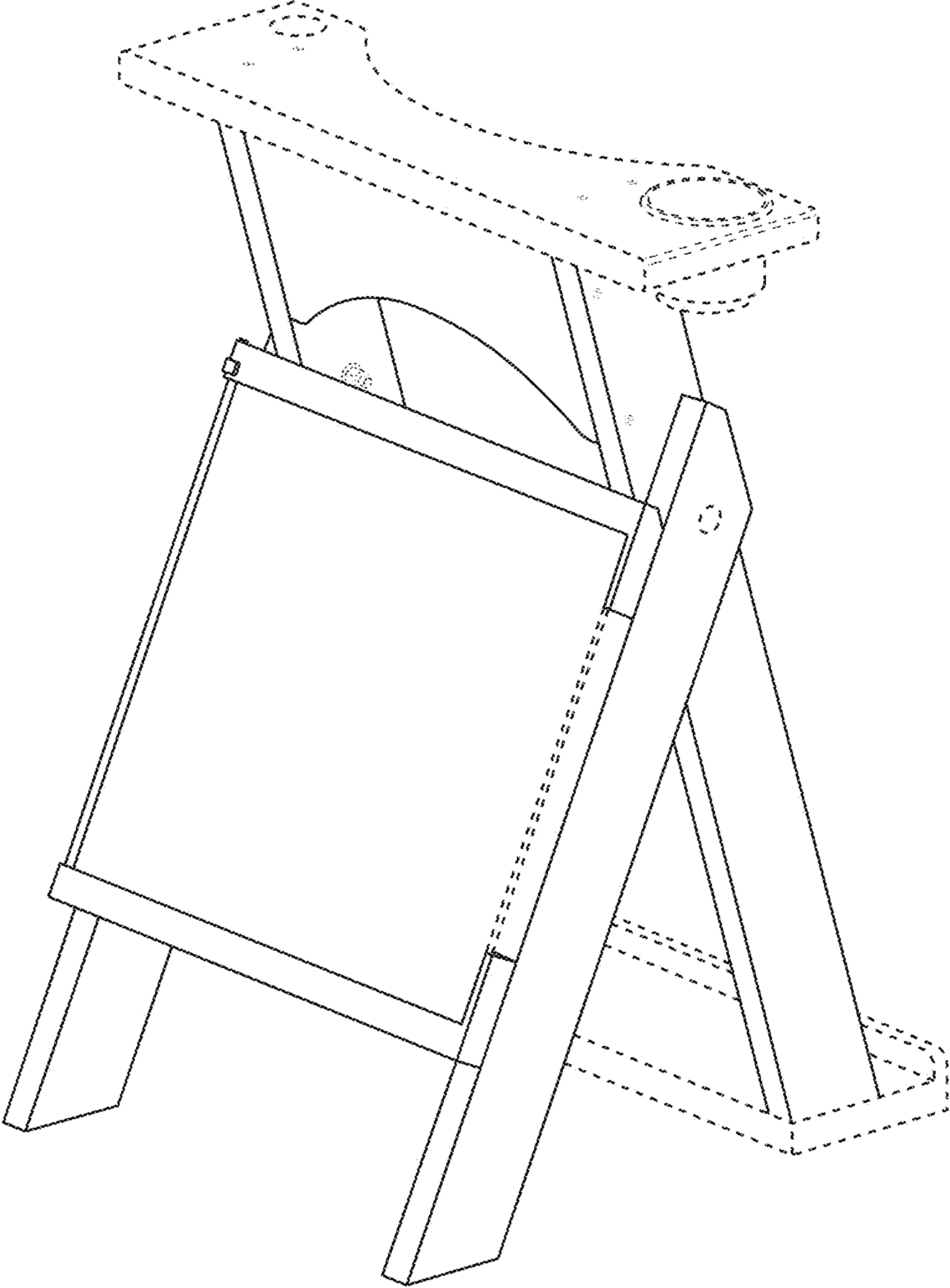


FIG. 22



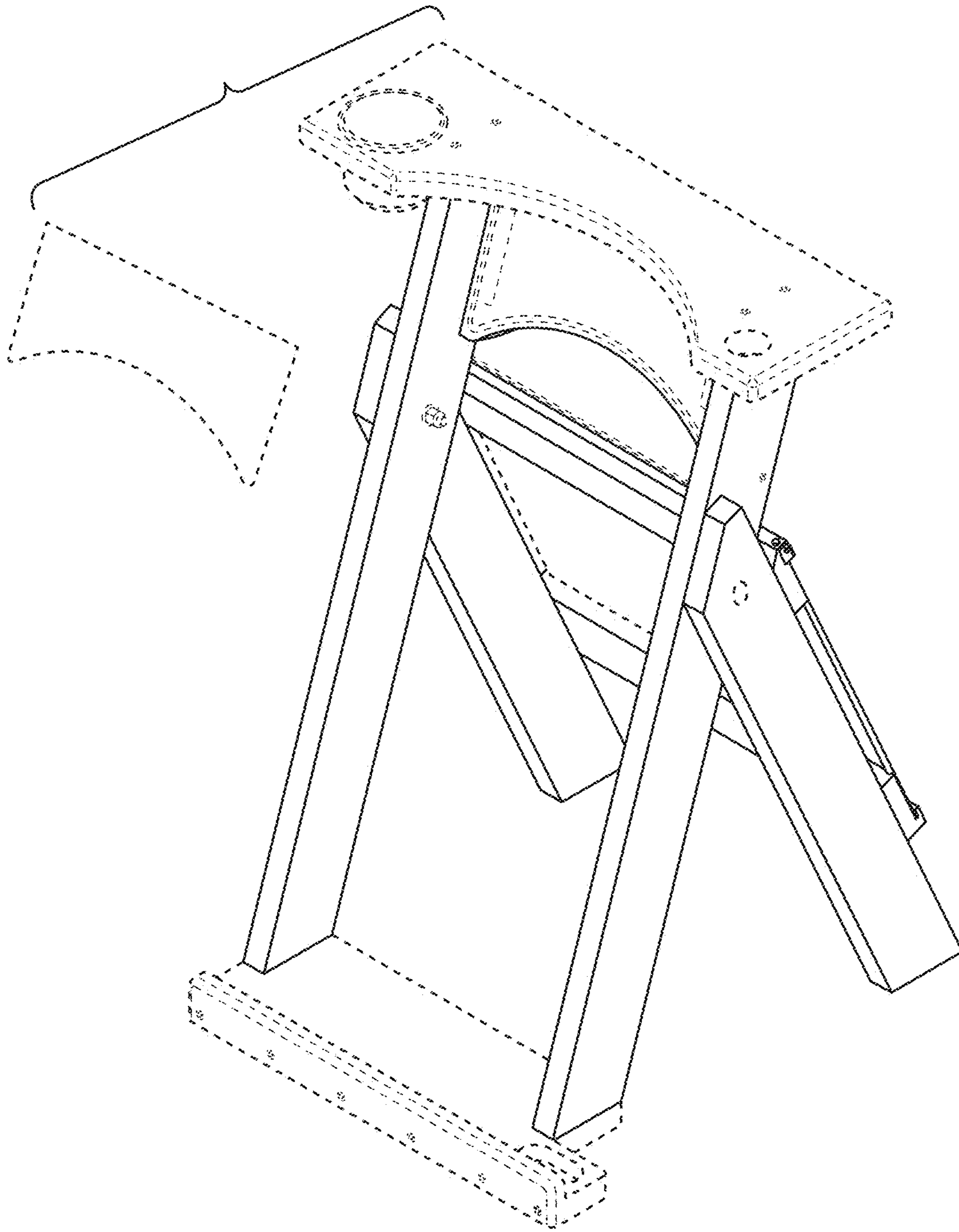


FIG. 23

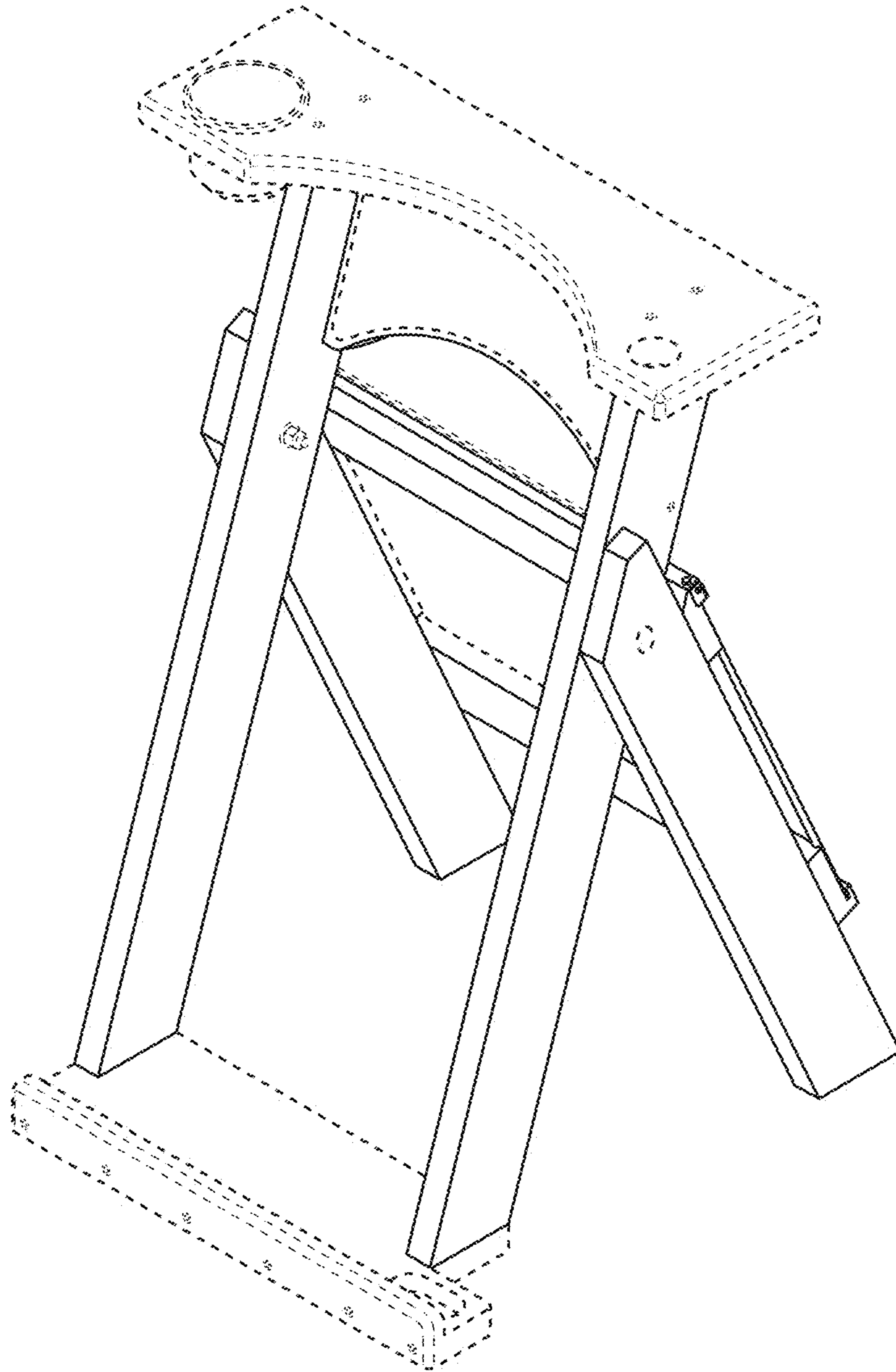


FIG.24