



US00D977044S

(12) **United States Design Patent**
Kemp

(10) **Patent No.: US D977,044 S**
(45) **Date of Patent: ** Jan. 31, 2023**

(54) **INFLATABLE ZEOTROPE BALL**
(71) Applicant: **Gary Kemp**, San Antonio, TX (US)
(72) Inventor: **Gary Kemp**, San Antonio, TX (US)
(**) Term: **15 Years**
(21) Appl. No.: **29/734,319**
(22) Filed: **May 11, 2020**
(51) **LOC (14) Cl. 21-02**
(52) **U.S. Cl.**
USPC **D21/713**
(58) **Field of Classification Search**
USPC D21/439, 440, 662, 707-714, 398;
D11/121; D10/107, 109.1, 109.2;
D20/10, 12, 16, 20, 41, 42, 21;
446/220-226, 243, 244; 273/458;
473/569-614; 40/427, 430-432, 439-441
CPC A63B 39/00-08; A63B 41/00-125; A63B
43/00-06; A63B 45/00; G03B 25/00;
A63H 33/18; A63H 33/22; A63H
1/00-32; A63H 27/10; A63H 2027/1041;
A63H 2027/1058; A63H 2027/1075;
A63H 2027/1091
See application file for complete search history.

D370,705 S * 6/1996 Cullen, III D21/709
D395,066 S * 6/1998 Fraser D21/714
5,876,072 A 3/1999 Bross et al.
5,905,564 A * 5/1999 Long A63H 33/22
352/101

(Continued)

FOREIGN PATENT DOCUMENTS

CN 3300673 * 6/2003
CN 3646760 * 5/2007

(Continued)

OTHER PUBLICATIONS

Brunner et al.; EPFL Rocket Team—Matterhorn Project; Team 35 Project Technical Report to the 2018 Spaceport American Cup; Experimental Sounding Rocket Association; 282 pages; 2018.

Primary Examiner — Catherine A Tuttle
(74) *Attorney, Agent, or Firm* — Hulsey P.C.

(57) **CLAIM**

The ornamental design for an inflatable zoetrope ball, as shown and described.

DESCRIPTION

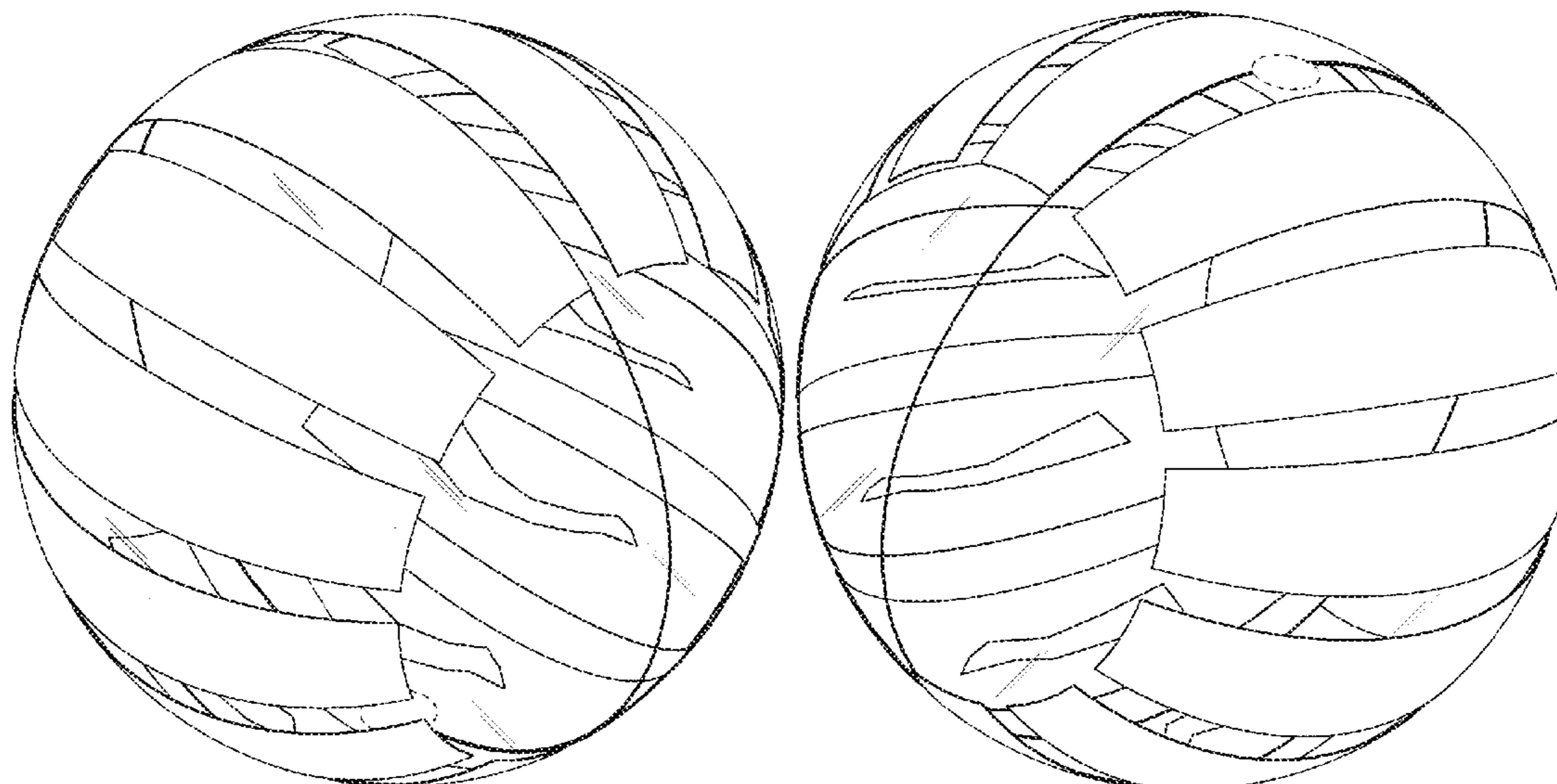
FIG. 1 is an isometric view of the inflatable zoetrope ball showing my new design;
FIG. 2 is a perspective view seen from the bottom, rear and opposing side of FIG. 1;
FIG. 3 is the front view of FIG. 1;
FIG. 4 is the rear view of FIG. 1;
FIG. 5 is the top view of FIG. 1;
FIG. 6 is the bottom view of FIG. 1;
FIG. 7 is a side view of FIG. 1; and,
FIG. 8 is the opposing side view of FIG. 1.
The broken lines seen in FIGS. 1, 2 and 5 depict a feature of the inflatable zoetrope ball that forms no part of the claimed design.

1 Claim, 4 Drawing Sheets

(56) **References Cited**

U.S. PATENT DOCUMENTS

D21,060 S * 9/1891 Amselem D21/713
3,120,402 A 2/1964 Wallen
3,122,383 A 2/1964 Hirsch
3,204,964 A * 9/1965 Geary G09B 23/22
273/109
3,781,042 A 12/1973 Estlick
3,850,460 A 11/1974 Cole
4,195,910 A * 4/1980 Imes, Jr. G09F 13/34
40/430
4,314,500 A 2/1982 Hoppe
4,854,765 A 8/1989 Giles
D370,243 S * 5/1996 Thompson D21/707



(56)

References Cited

U.S. PATENT DOCUMENTS

6,041,531 A * 3/2000 Lunde G09F 19/12
40/431
6,097,468 A * 8/2000 Muehlenhard A63H 33/22
352/101
6,497,530 B1 12/2002 Johnson
D483,424 S * 12/2003 Lowinger D21/713
D496,082 S * 9/2004 Tripp D21/713
D511,029 S * 10/2005 Willinger D21/713
8,156,867 B2 4/2012 Stimpson
D663,793 S * 7/2012 Guarrasi D21/713
D892,953 S * 8/2020 Nicely D21/708
2002/0003984 A1 1/2002 Giesenberg et al.
2003/0072565 A1 * 4/2003 Ravnbo-West F24C 7/004
40/431
2009/0191787 A1 * 7/2009 Rubinstein A63H 27/10
446/220
2011/0171874 A1 * 7/2011 Berenson A63H 27/10
446/220

2013/0005513 A1 * 1/2013 Page A63B 69/0071
473/447
2016/0346628 A1 * 12/2016 Tiefel A63H 33/003
2017/0100678 A1 * 4/2017 Larson A63B 41/00
2020/0376349 A1 * 12/2020 Luehrsen A63B 37/14
2021/0370194 A1 * 12/2021 Kemp A63B 43/005

FOREIGN PATENT DOCUMENTS

CN 304727508 * 7/2018
CN 305217909 * 6/2019
CN 110617745 A 12/2019
DE 2844239 A1 4/1980
DE 3028609 A1 2/1982
DE 102007014013 A1 9/2008
KR 20090084374 A * 8/2009 G03B 25/00
KR 20100124008 A * 11/2010 A63B 41/08
KR 101483256 B1 1/2015
KR 101555593 B1 9/2015

* cited by examiner

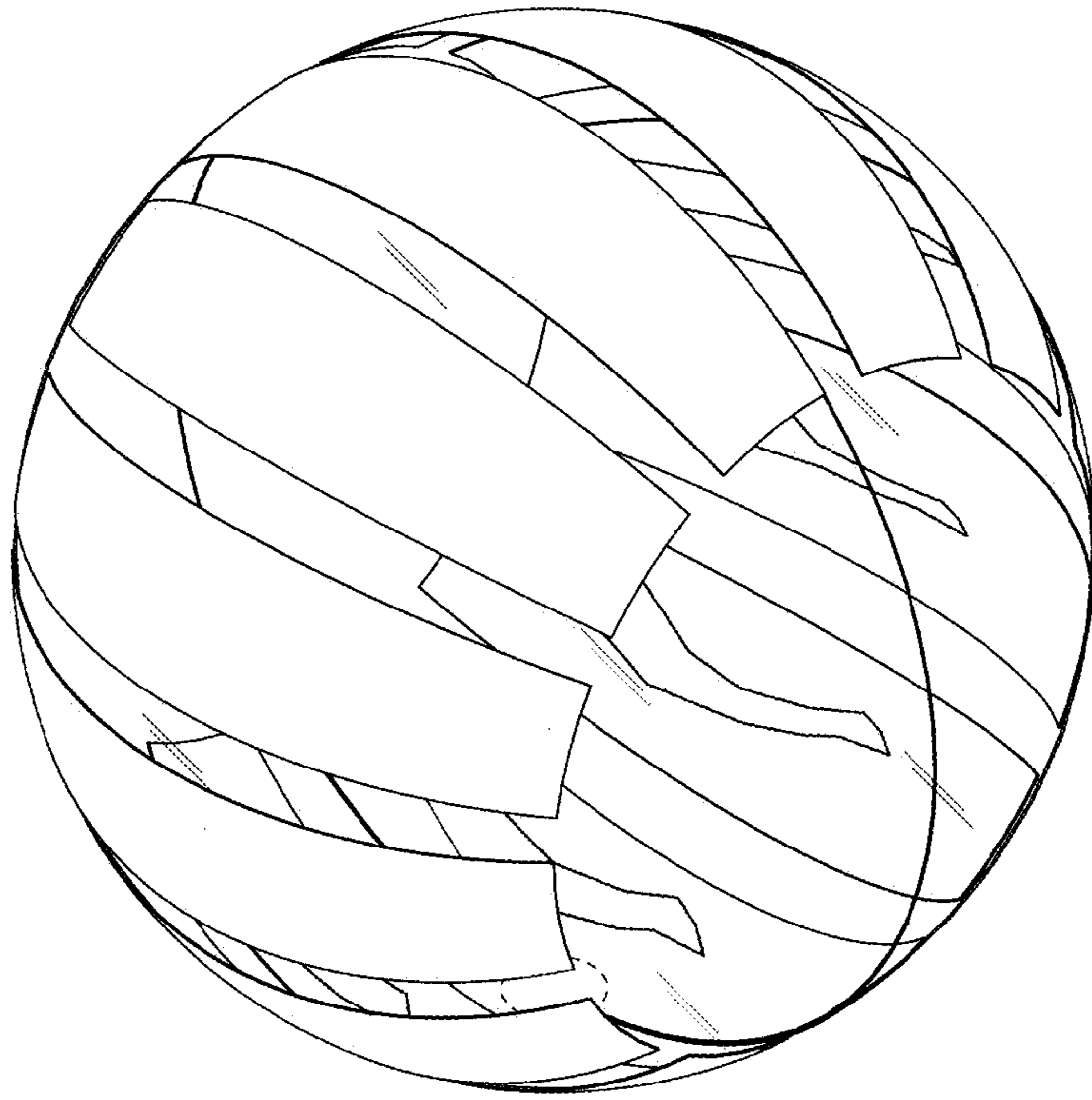


FIG. 1

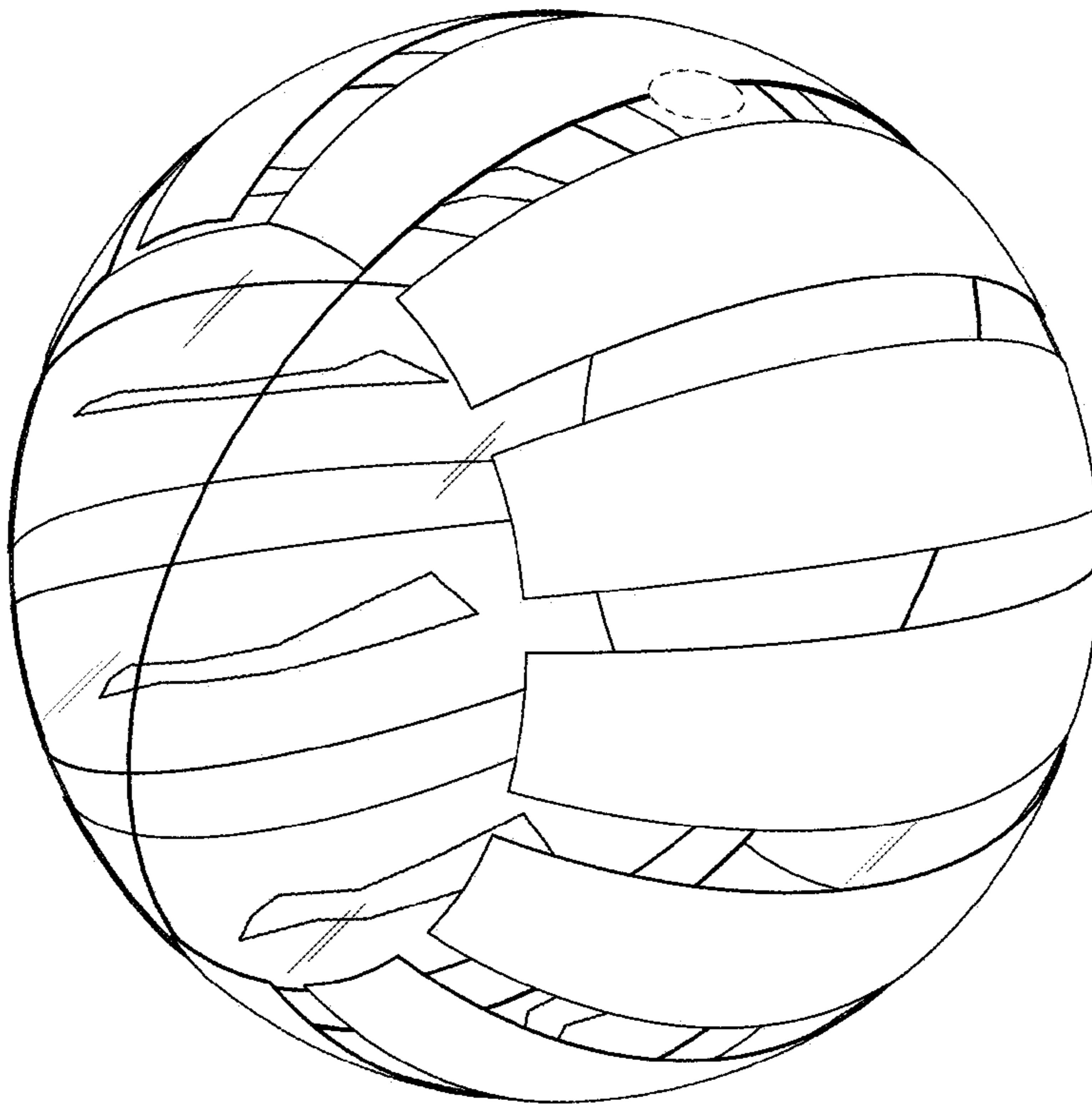


FIG. 2

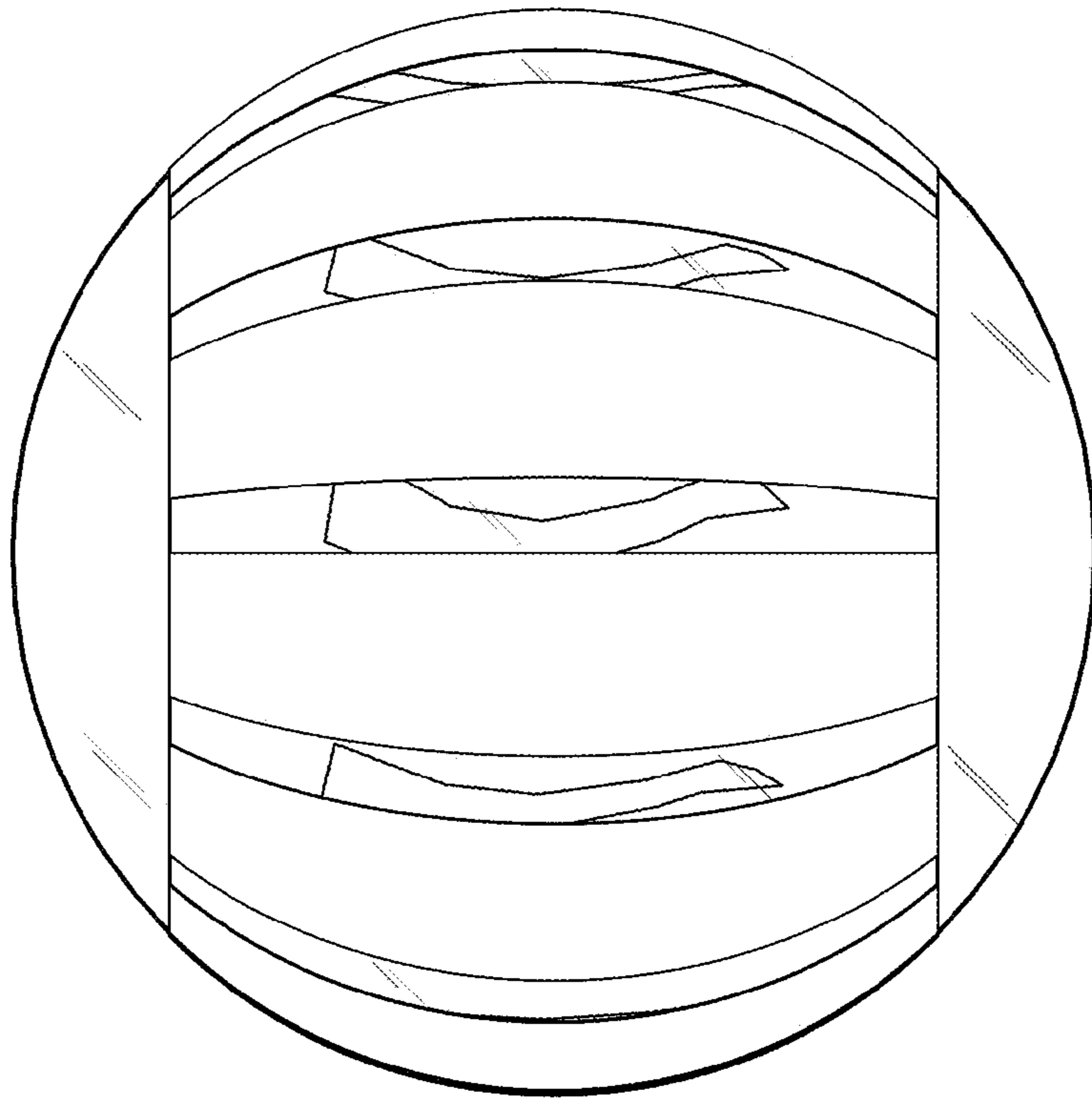


FIG. 3

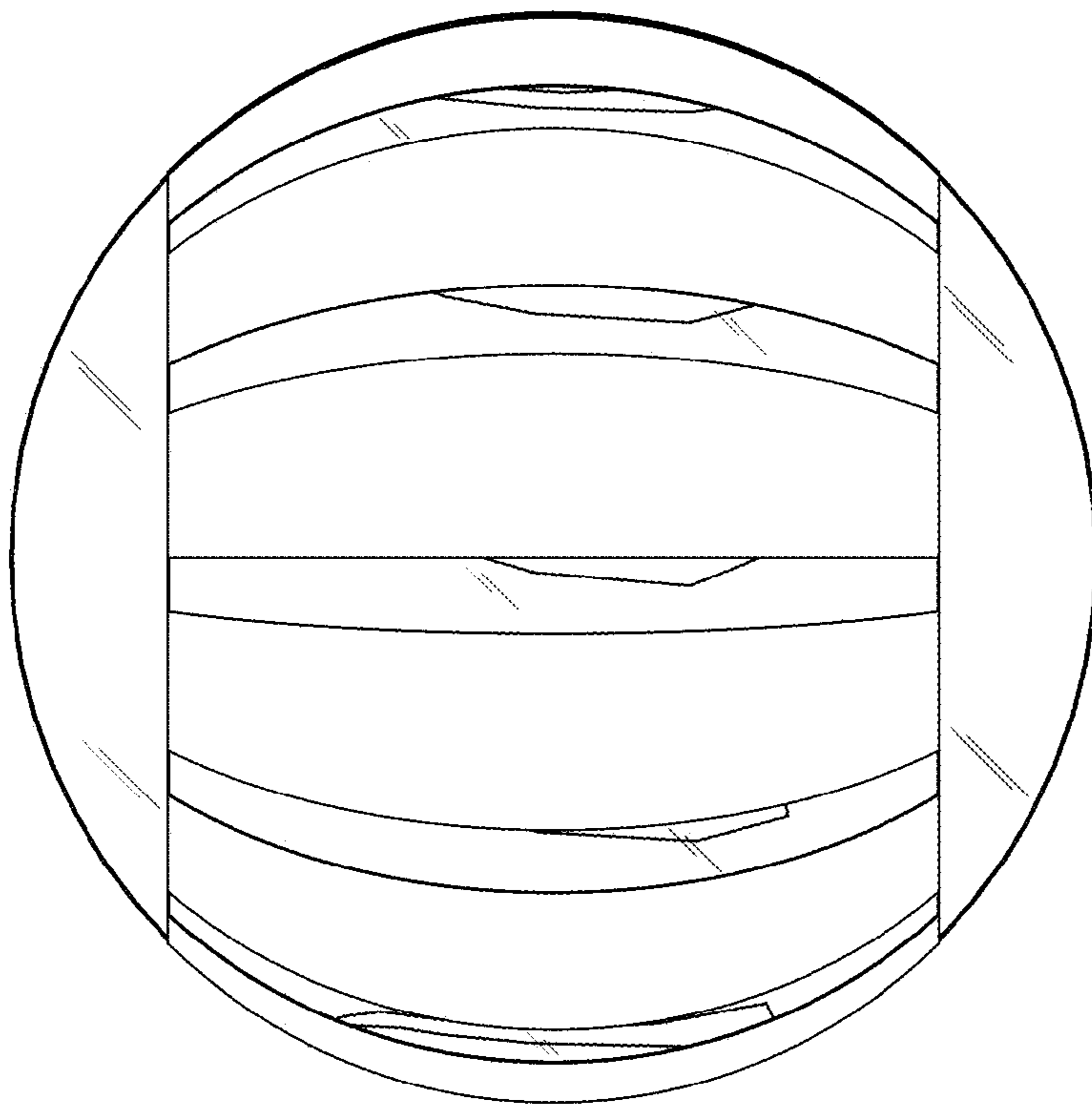


FIG. 4

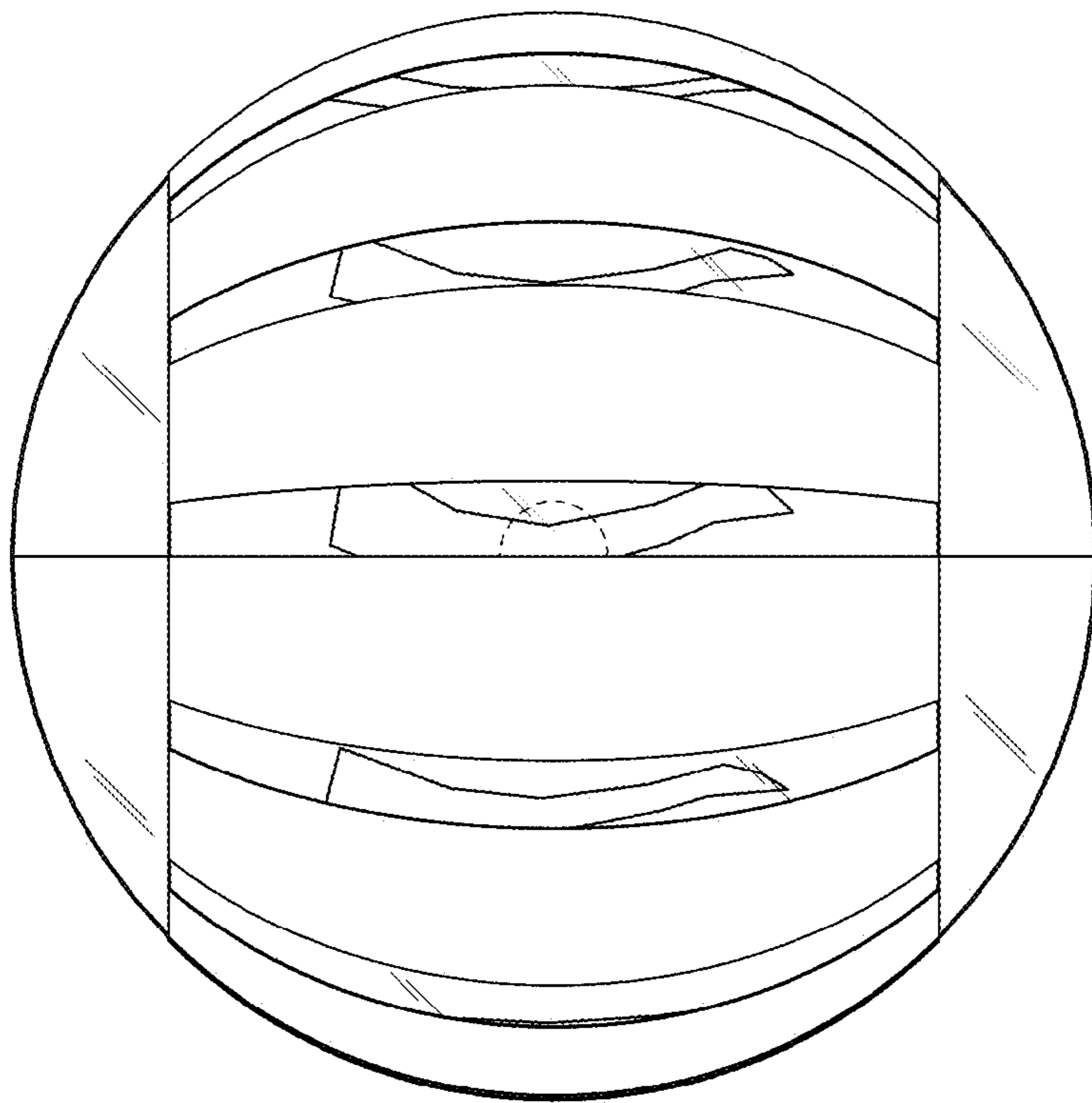


FIG. 5

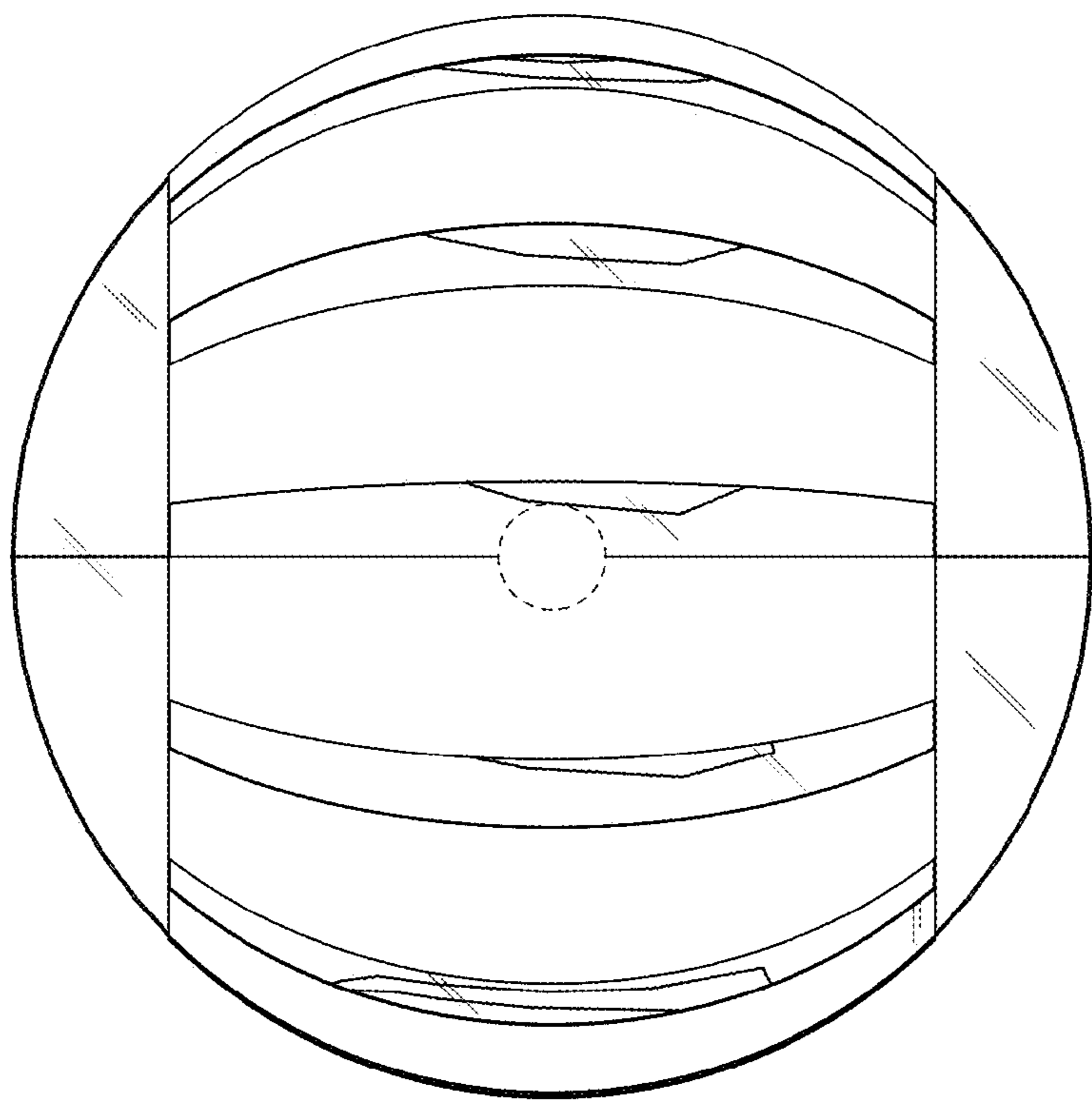


FIG. 6

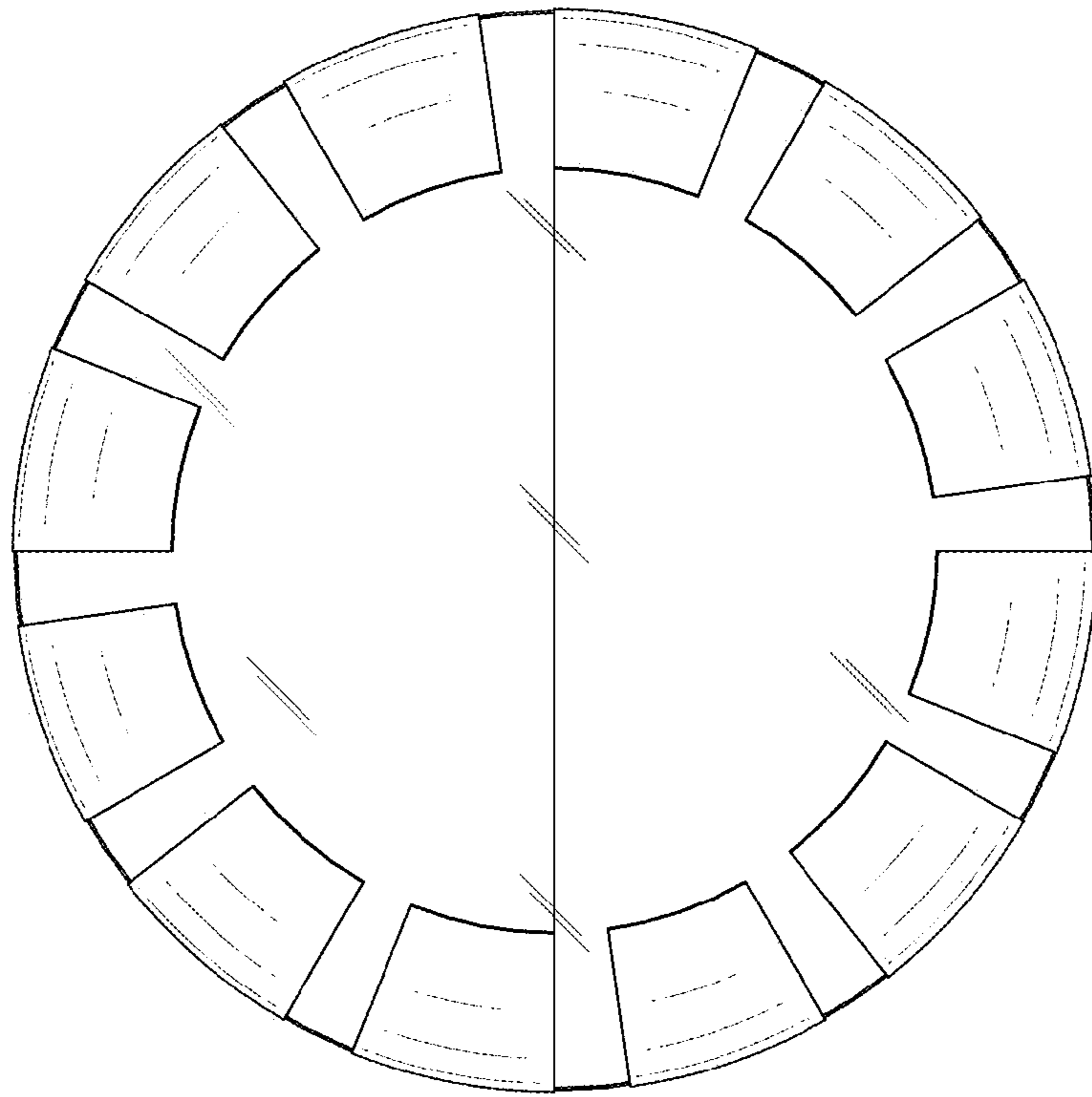


FIG. 7

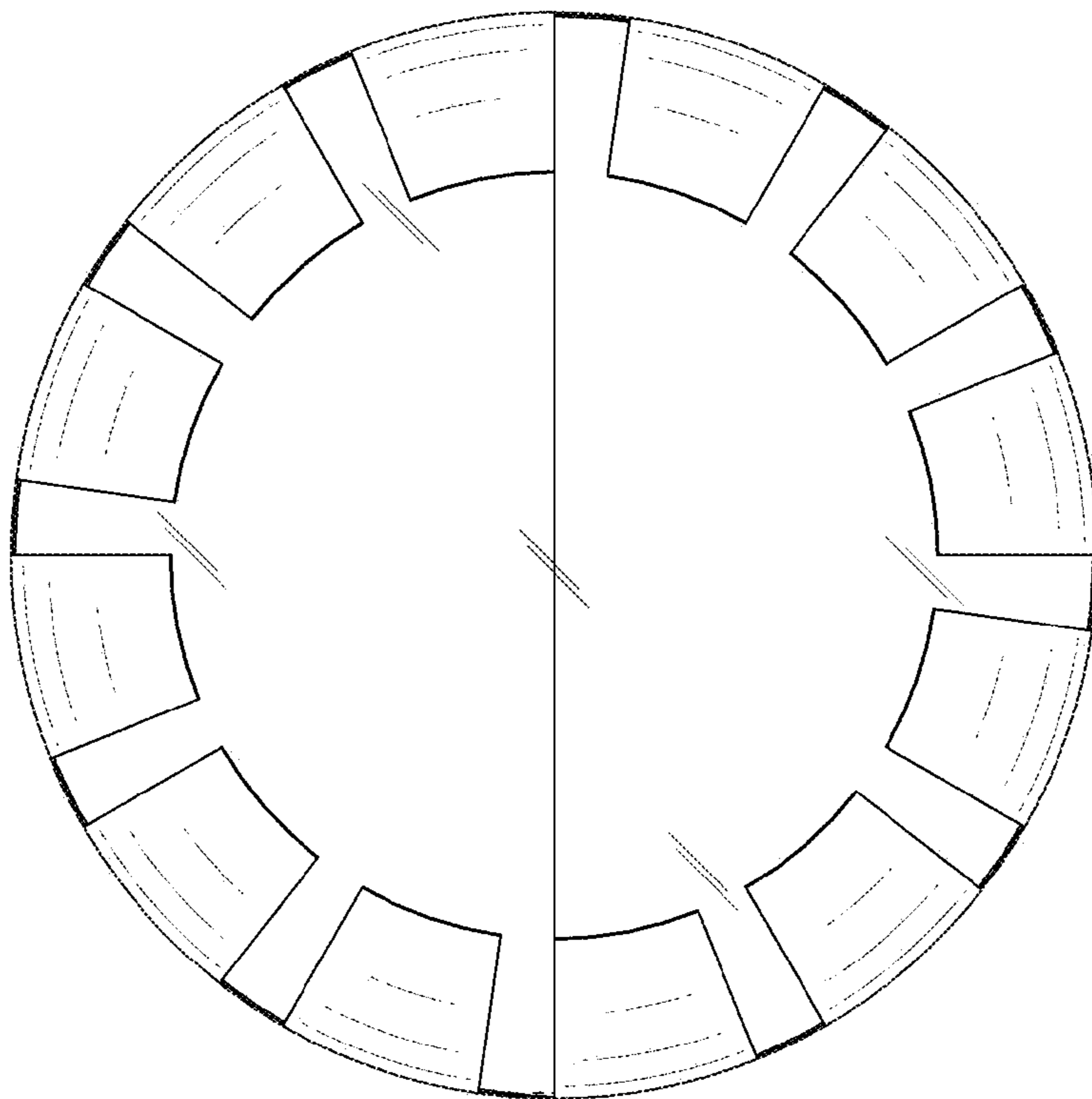


FIG. 8

UNITED STATES PATENT AND TRADEMARK OFFICE
CERTIFICATE OF CORRECTION

PATENT NO. : D977,044 S
APPLICATION NO. : 29/734319
DATED : January 31, 2023
INVENTOR(S) : Gary Kemp

Page 1 of 1

It is certified that error appears in the above-identified patent and that said Letters Patent is hereby corrected as shown below:

On the Title Page

Item (54): Change "ZEOTROPE" TO -- ZOETROPE --.

Item (57), Claim Column 2 Line 1: Change "zeotrope" to -- zoetrope --.

Signed and Sealed this
Twenty-seventh Day of August, 2024



Katherine Kelly Vidal
Director of the United States Patent and Trademark Office