



US00D977043S

(12) **United States Design Patent**
Gu

(10) **Patent No.:** **US D977,043 S**
(45) **Date of Patent:** **** Jan. 31, 2023**

(54) **EXERCISE DEVICE**

(71) Applicant: **Xiaohuan Gu**, Shenzhen (CN)

(72) Inventor: **Xiaohuan Gu**, Shenzhen (CN)

(*) Notice: Patent file contains an affidavit/declaration under 37 CFR 1.130(b).

(**) Term: **15 Years**

(21) Appl. No.: **29/792,653**

(22) Filed: **Apr. 13, 2022**

(51) **LOC (14) Cl.** **21-02**

(52) **U.S. Cl.**
USPC **D21/692**

(58) **Field of Classification Search**

USPC D21/685, 693, 698, 771, 773, 774, 753,
D21/756, 807, 692, 679, 686, 673, 681,
D21/682, 691, 694, 662, 797, 665, 683,
D21/684, 677; D24/190

See application file for complete search history.

(56) **References Cited**

U.S. PATENT DOCUMENTS

2,919,134	A *	12/1959	Zuro	A63B 21/04 248/200.1
4,257,592	A *	3/1981	Jones	A63B 23/12 482/131
D263,327	S *	3/1982	Cooper	D21/679
D274,539	S *	7/1984	Bankier	D21/679
D302,195	S *	7/1989	Orak	D21/682
5,171,295	A *	12/1992	Schwalm, Jr.	A63B 21/154 482/904
D369,627	S *	5/1996	Thor	D10/119.3
7,322,909	B1 *	1/2008	Loccarini	A63B 21/4011 482/904
D633,155	S *	2/2011	Brun	D21/679
D723,637	S *	3/2015	Mercado	D21/679
D733,815	S *	7/2015	Gustafson	D21/694
D809,615	S *	2/2018	Ross	D21/694
D844,079	S	3/2019	Ratajac		

(Continued)

OTHER PUBLICATIONS

Dasking, announced Mar. 25, 2022[online], [site visited Jul. 22, 2022]. Available on internet, URL:https://www.amazon.com/DASKING-Resistance-Anti-Break-Stackable-Detachable/dp/B09WHZWST1/ref (Year: 2022).*

(Continued)

Primary Examiner — Khawaja Anwar

Assistant Examiner — Julice Seung Eun Oum

(57) **CLAIM**

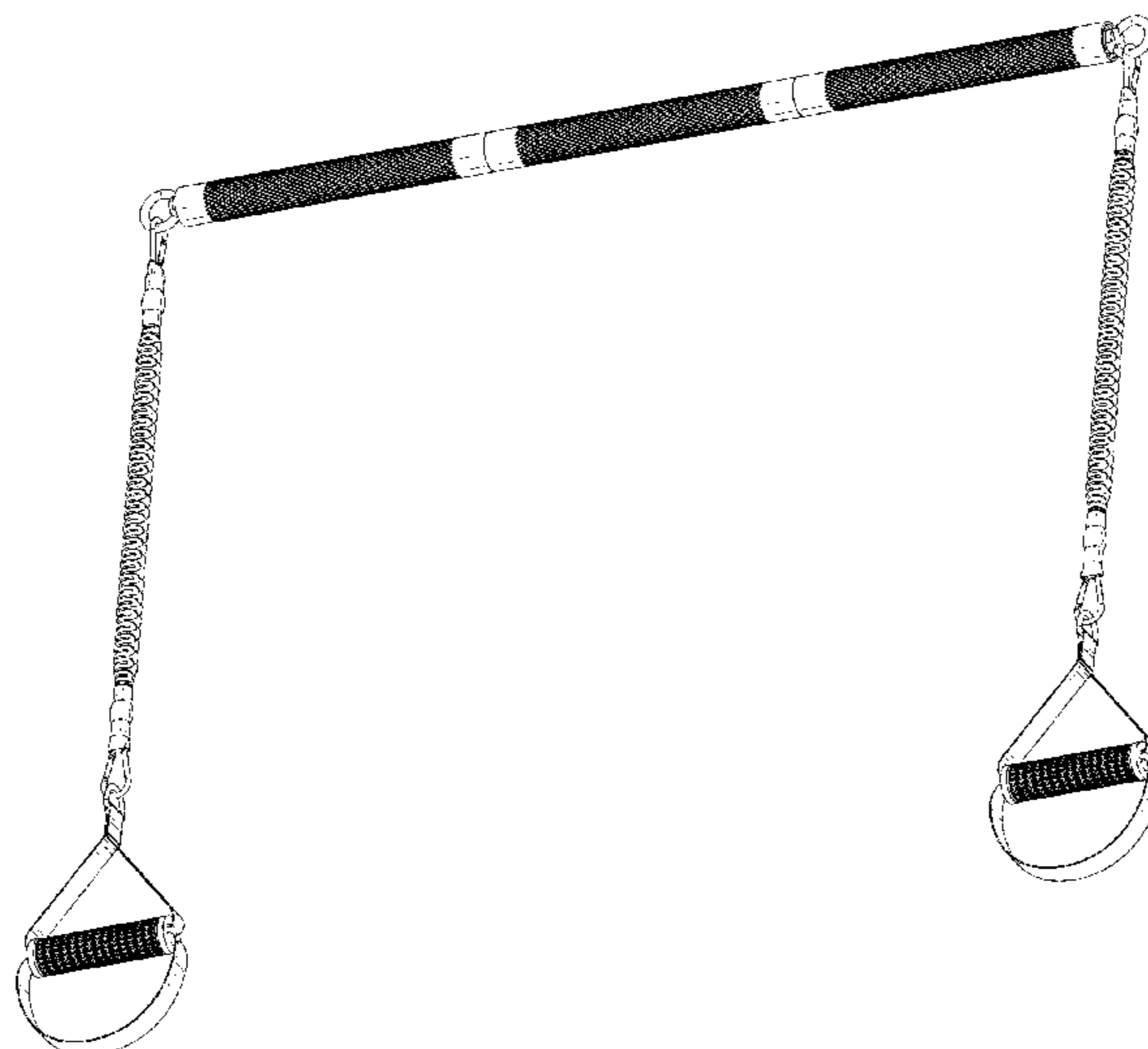
The ornamental design for an exercise device, as shown and described.

DESCRIPTION

FIG. 1 is a front and top perspective view of an exercise device, showing my new design;
FIG. 2 is a rear and bottom perspective view thereof;
FIG. 3 is a front elevation view thereof;
FIG. 4 is a rear elevation view thereof;
FIG. 5 is a left side elevation view thereof;
FIG. 6 is a right side elevation view thereof;
FIG. 7 is a top plan view thereof;
FIG. 8 is a bottom plan view thereof;
FIG. 9 is an enlarged view of a portion indicated with numeric 9 in FIG. 1;
FIG. 10 is an enlarged view of a portion indicated with numeric 10 in FIG. 1; and,
FIG. 11 is an enlarged view of a portion indicated with numeric 11 in FIG. 1.

The broken lines depict portions of the exercise device form no part of the claimed design. The dash dot dash lines in FIGS. 1, 9, 10 and 11 are for the purpose of depicting the boundary lines of the enlarged views and form no part of the claimed design.

1 Claim, 11 Drawing Sheets



(56)

References Cited

U.S. PATENT DOCUMENTS

D853,505 S * 7/2019 Toueg D21/679
D865,084 S * 10/2019 Croxton D21/679
10,737,133 B2 * 8/2020 Bezemer A63B 21/0608
10,874,896 B1 * 12/2020 Little A63B 21/0442
D924,339 S * 7/2021 Hardin-Weiss D21/662
D934,355 S * 10/2021 Behar D21/679
2020/0206560 A1 * 7/2020 Alexandru A63B 21/1681

OTHER PUBLICATIONS

Weluvfit, announced Aug. 24, 2021 [online], [site visited Jul. 22, 2022]. Available on internet, URL:<https://www.amazon.com/Resistance-WeluvFit-Anti-Break-3-Section-Equipment/dp/B09DFDV89K/ref> (Year: 2021).*

* cited by examiner

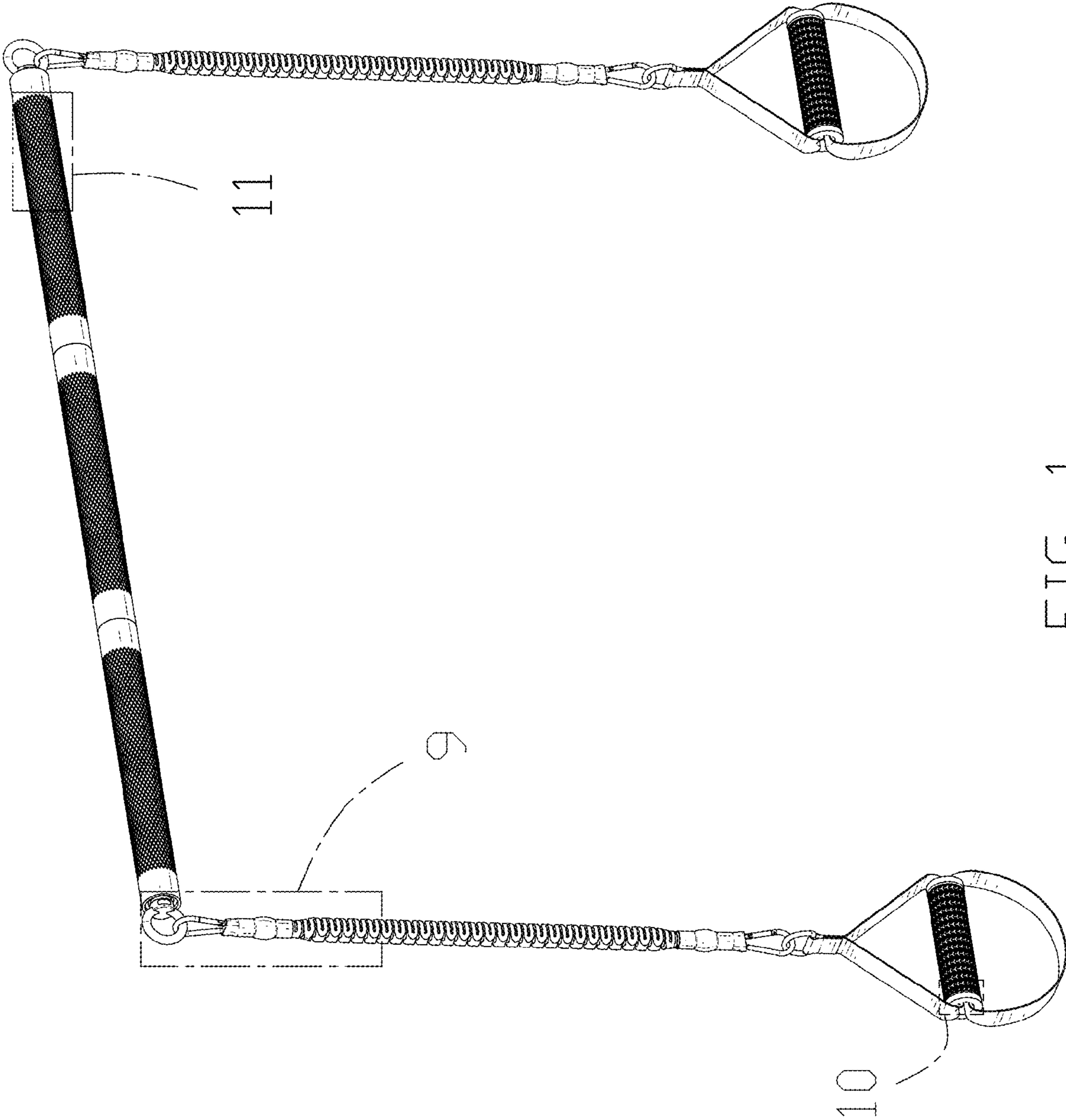


FIG. 1

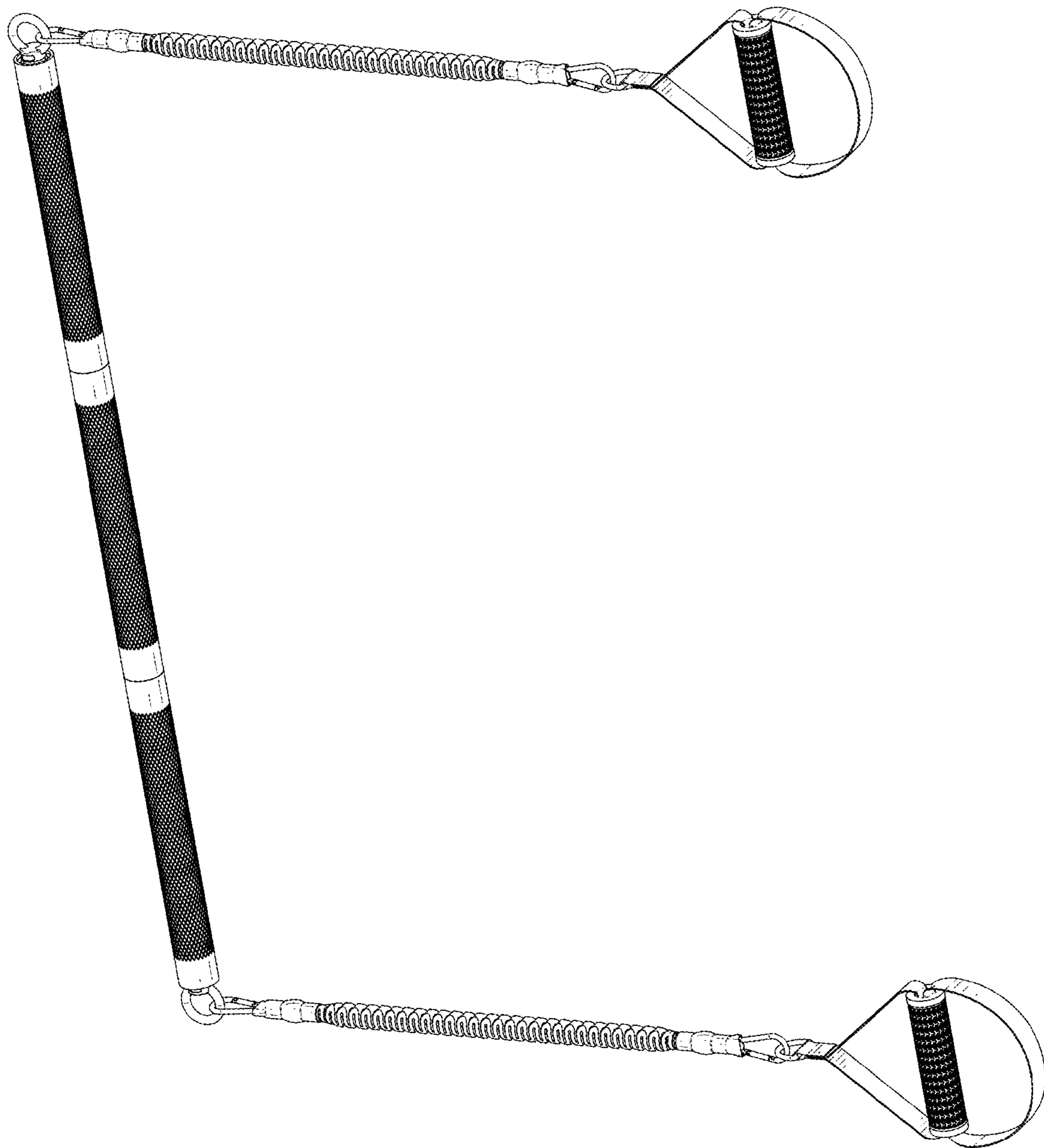


FIG. 2

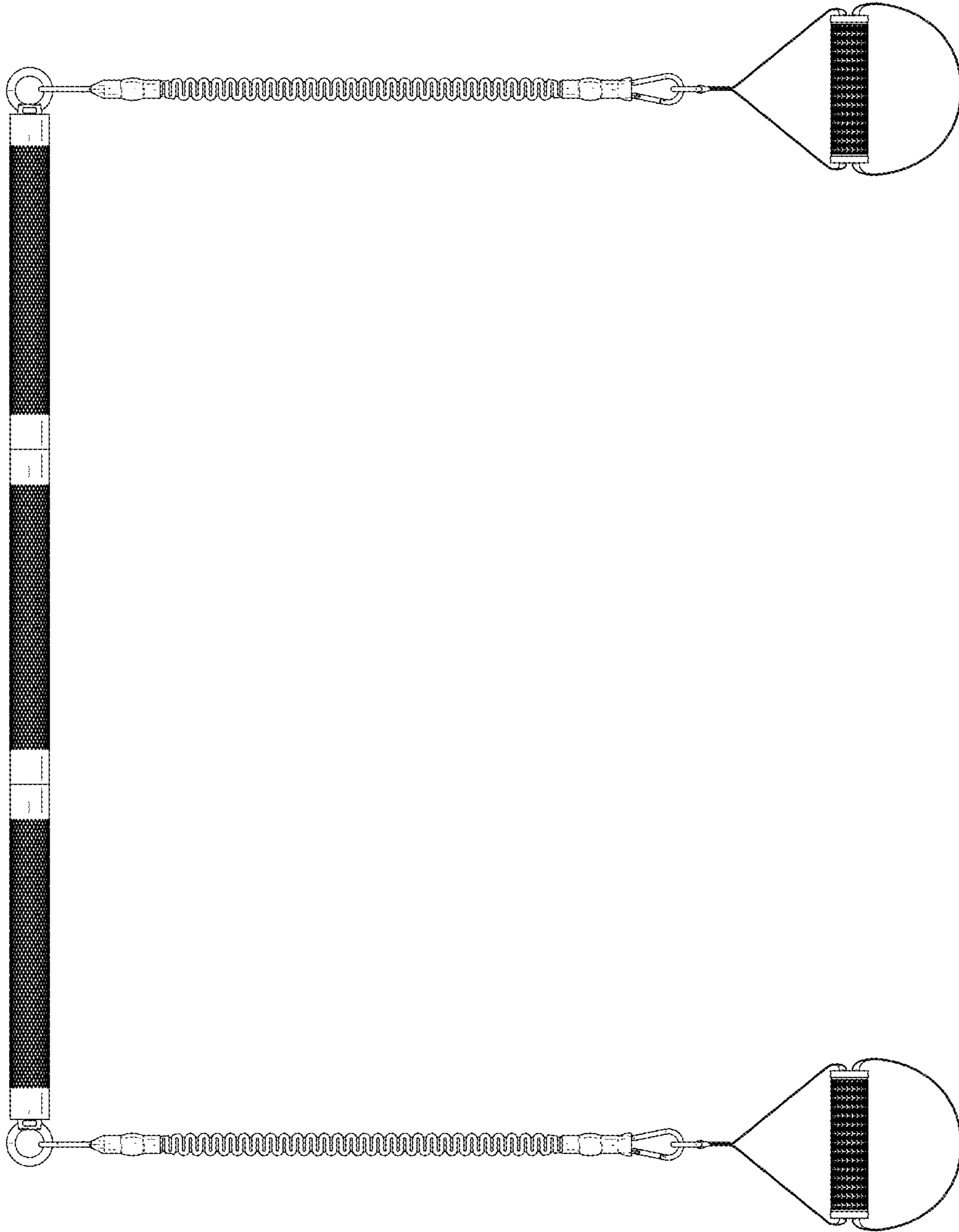


FIG. 3

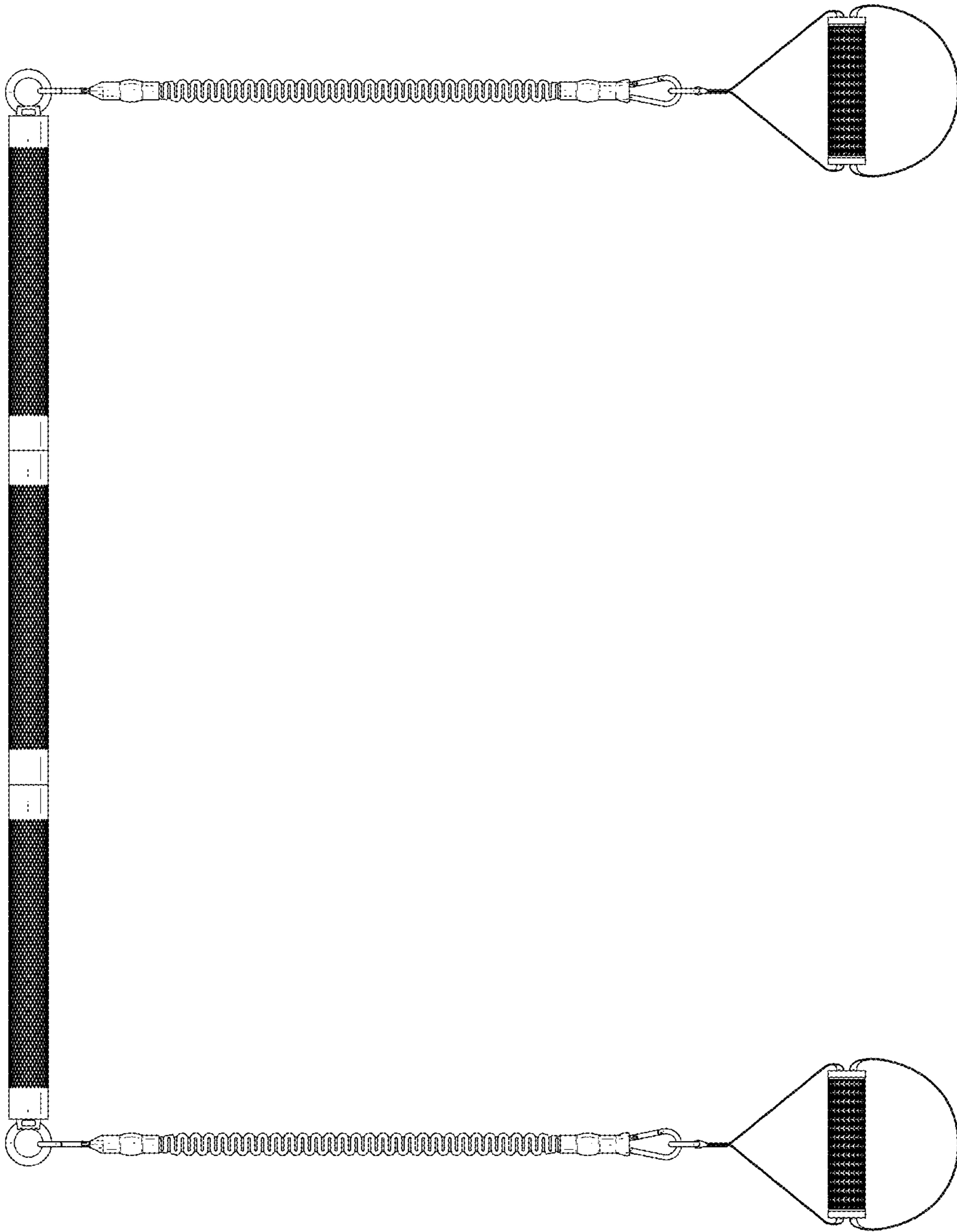


FIG. 4



FIG. 5



FIG. 6

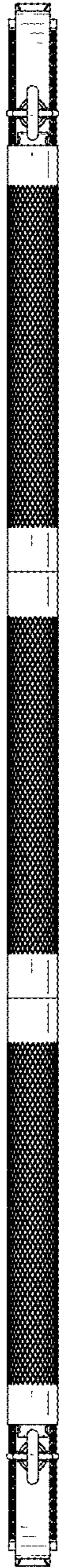


FIG. 7

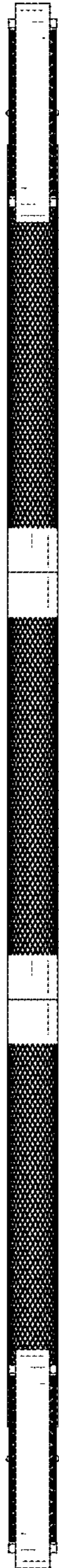


FIG. 8

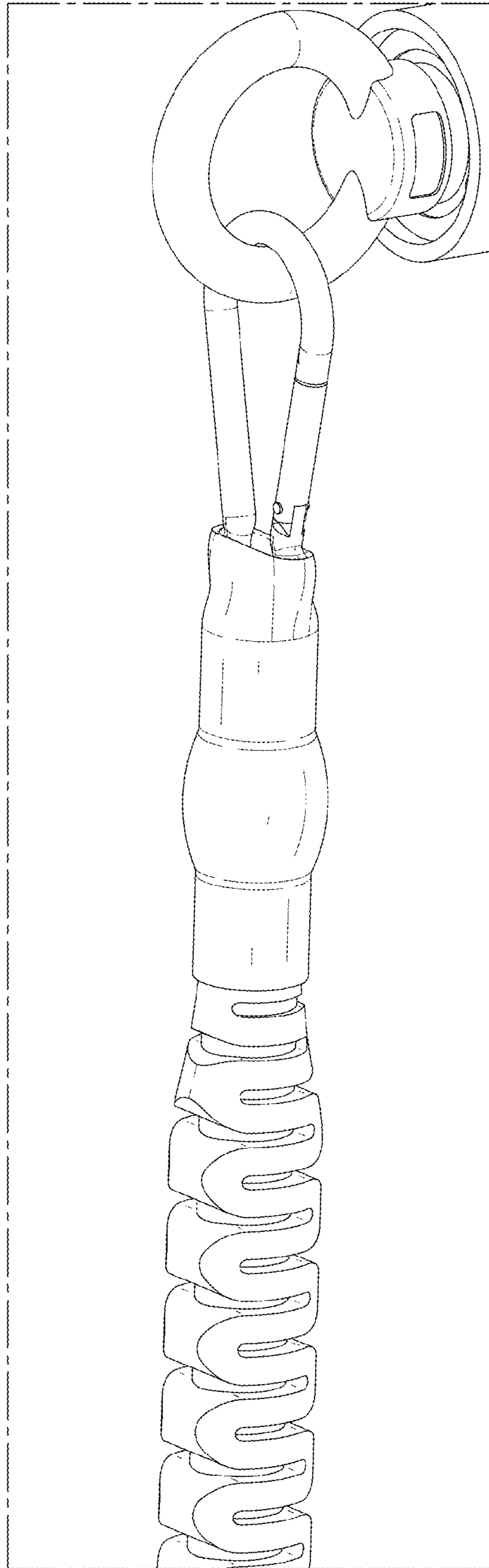


FIG. 9

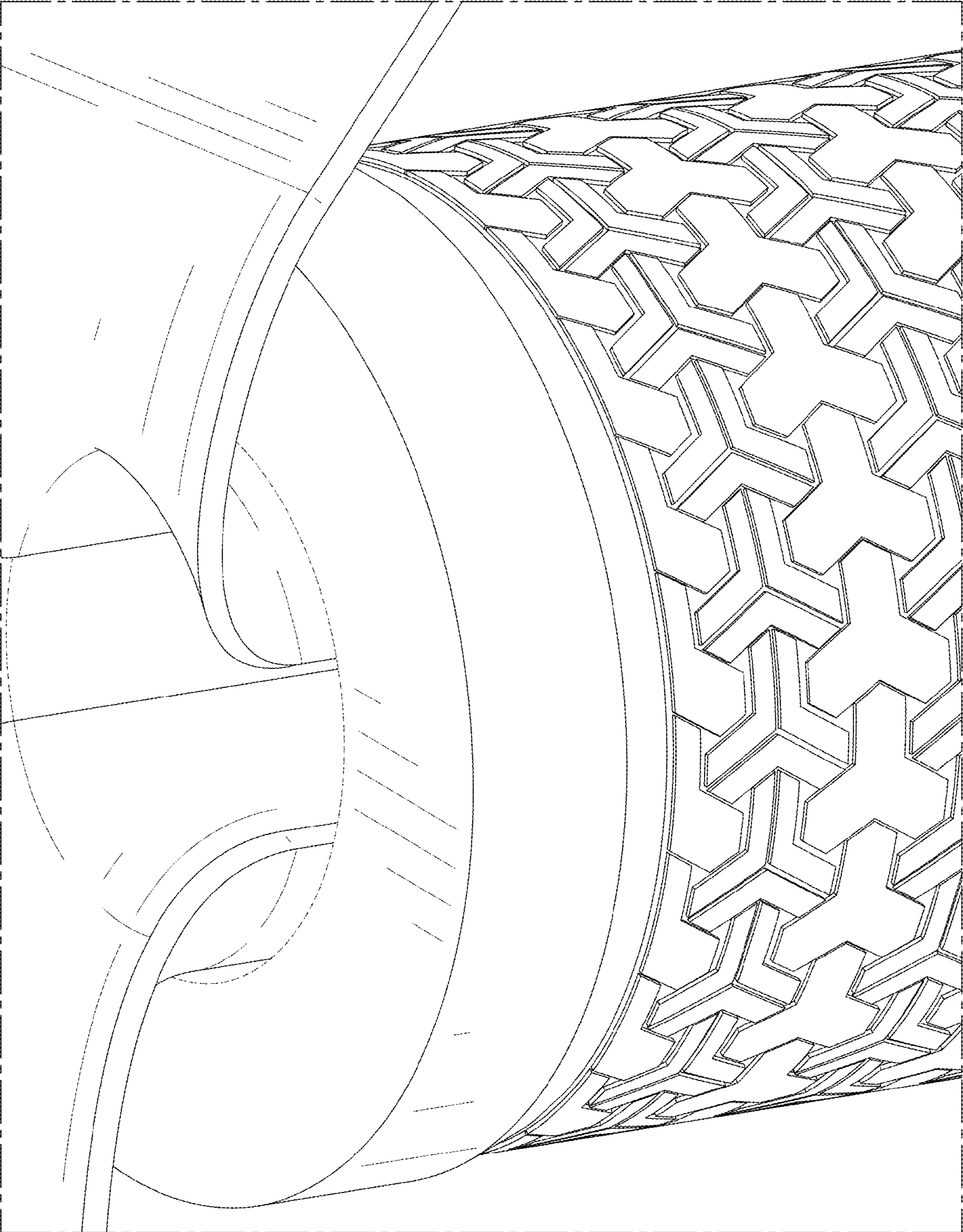


FIG. 10

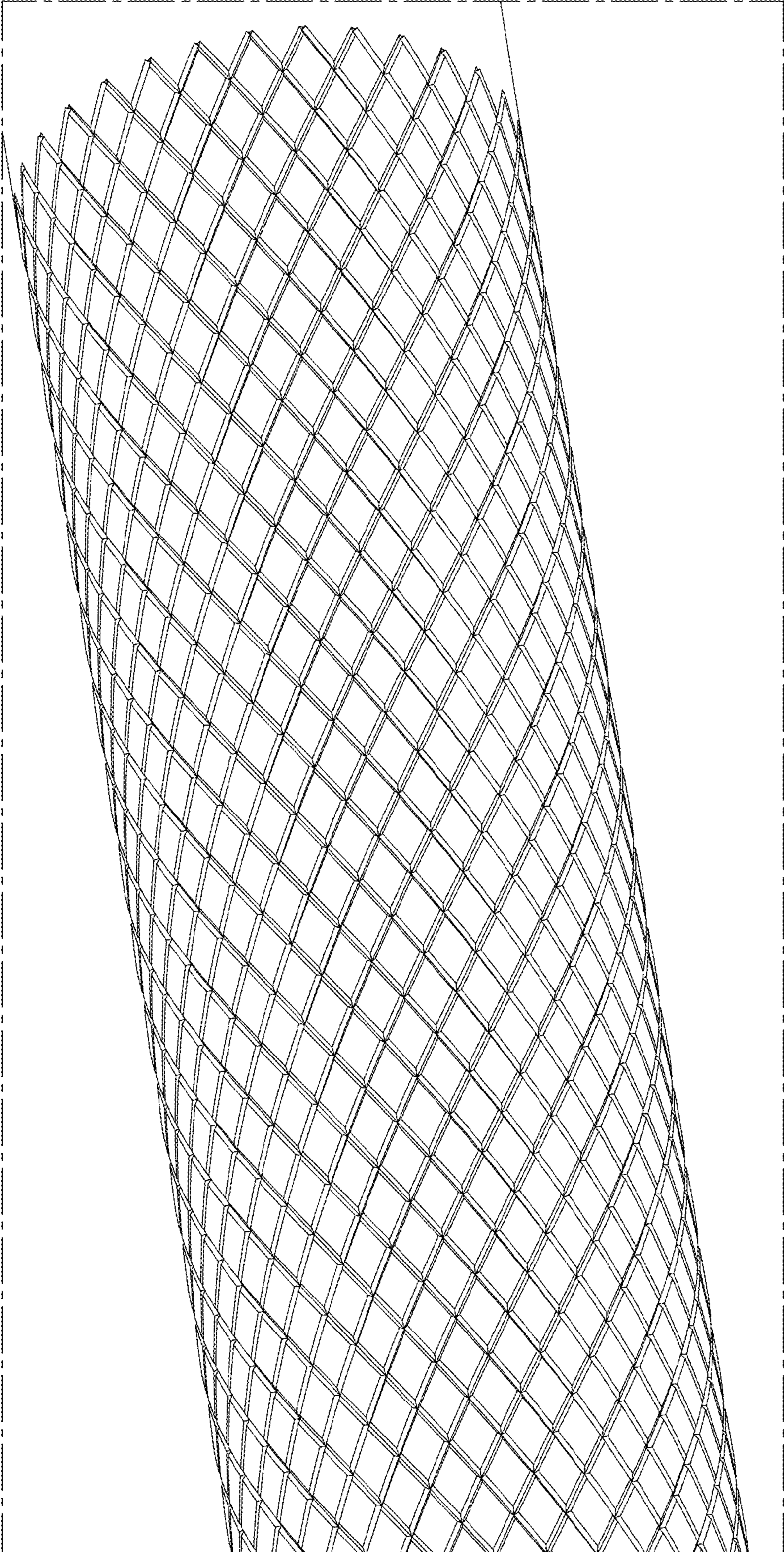


FIG. 11