



US00D977042S

(12) **United States Design Patent**
Stern

(10) **Patent No.:** **US D977,042 S**

(45) **Date of Patent:** **** Jan. 31, 2023**

(54) **T BAR ATTACHMENT HANDLE**
(71) Applicant: **Samuel Stern**, Brooklyn, NY (US)
(72) Inventor: **Samuel Stern**, Brooklyn, NY (US)
(**) Term: **15 Years**
(21) Appl. No.: **29/843,263**
(22) Filed: **Jun. 20, 2022**

D480,772 S * 10/2003 Washington D21/686
D495,380 S * 8/2004 Ceppo D21/686
D495,381 S * 8/2004 Ceppo D21/686
9,017,238 B2 * 4/2015 Meredith A63B 23/1218
482/142
10,376,727 B2 * 8/2019 Fitzpatrick A63B 23/1227
D924,988 S * 7/2021 Barton D21/679
D955,511 S * 6/2022 Carmichael D21/688
D956,890 S * 7/2022 Scott D21/686
D961,024 S * 8/2022 Sneathen D21/686
D961,700 S * 8/2022 Swallows D21/686
D963,083 S * 9/2022 Dunahay D21/694

(51) **LOC (14) Cl.** **21-02**
(52) **U.S. Cl.**
USPC **D21/688**
(58) **Field of Classification Search**
USPC D21/686-694
CPC A63B 26/00; A63B 5/00; A63B 21/00047
See application file for complete search history.

* cited by examiner

Primary Examiner — Katrina A Betton

(57) **CLAIM**

The ornamental design for a T bar attachment handle, as shown and described.

DESCRIPTION

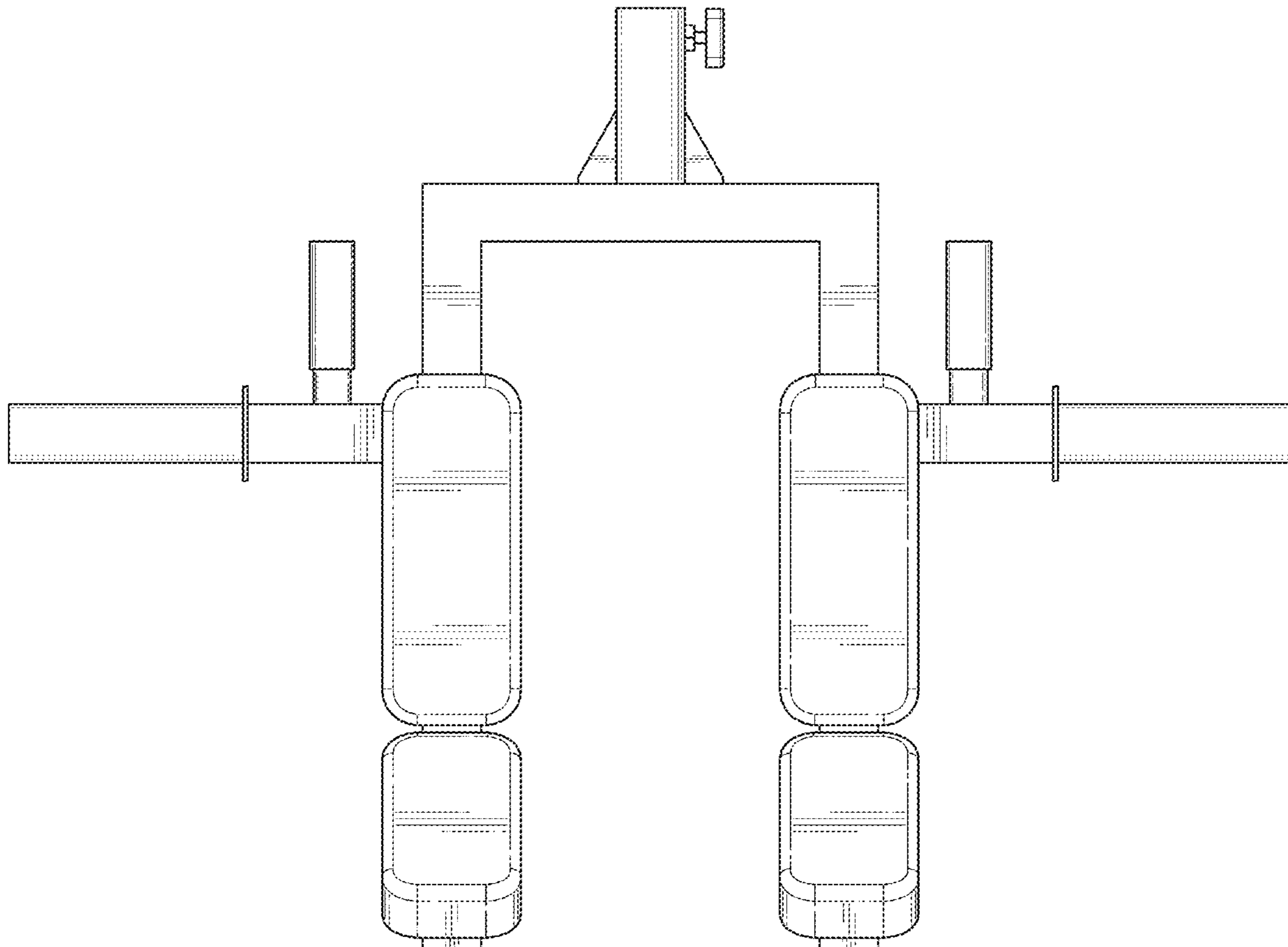
FIG. 1 is a front perspective view of a T bar attachment handle showing my new design;
FIG. 2 is a front elevation view thereof;
FIG. 3 is a rear elevation view thereof;
FIG. 4 is a left side elevation view thereof;
FIG. 5 is a right side elevation view thereof;
FIG. 6 is a top plan view thereof; and,
FIG. 7 is a bottom plan view thereof.

(56) **References Cited**

U.S. PATENT DOCUMENTS

3,690,665 A 9/1972 Chapman
D261,976 S 11/1981 Conti
D291,820 S 9/1987 Carter, Jr.
5,011,139 A * 4/1991 Towley, III A63B 21/0628
482/41
5,207,624 A 5/1993 Paskovich
5,244,444 A 9/1993 Wostry
D401,985 S * 12/1998 Wheeler D21/686

1 Claim, 7 Drawing Sheets



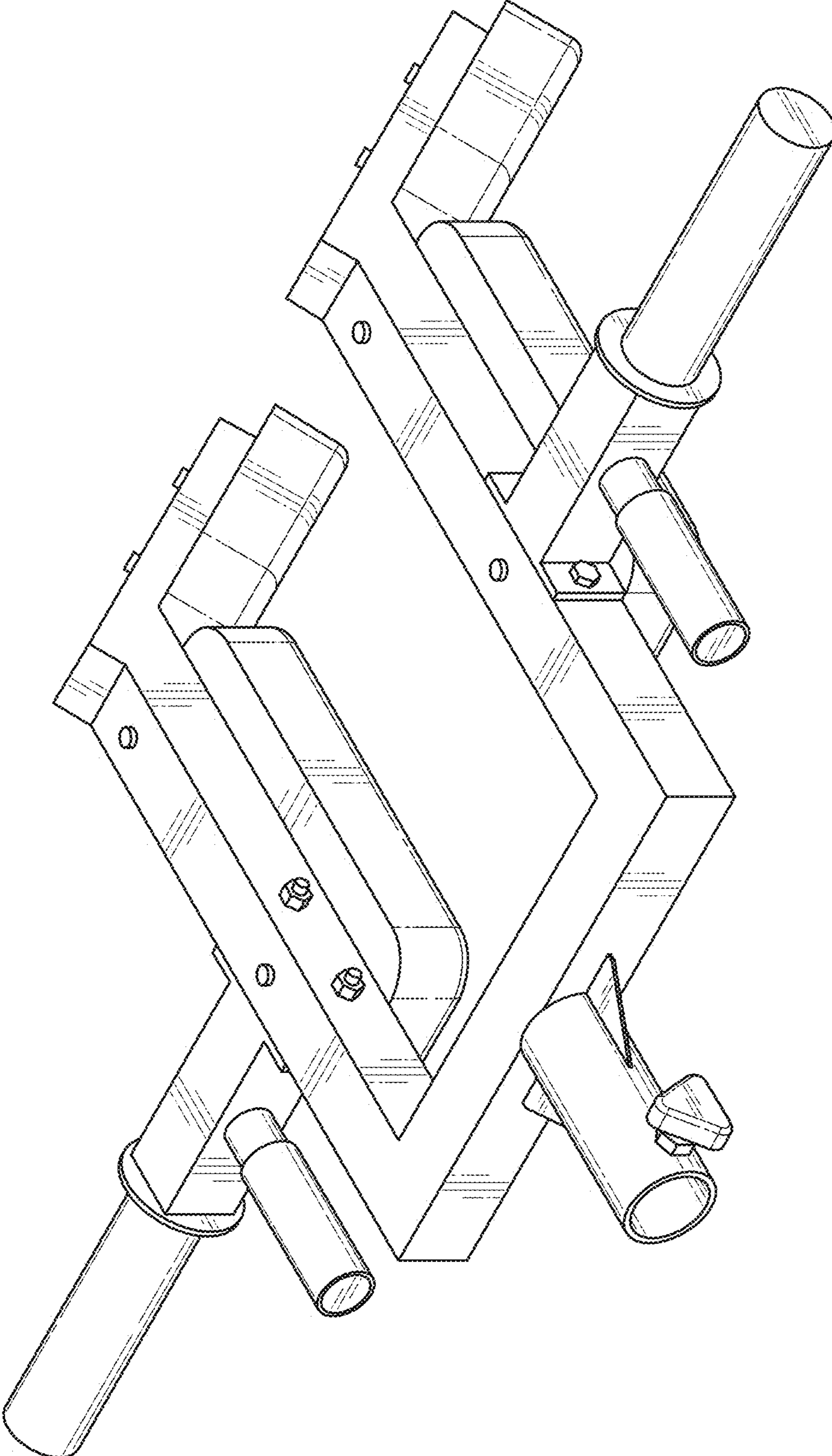


FIG. 1

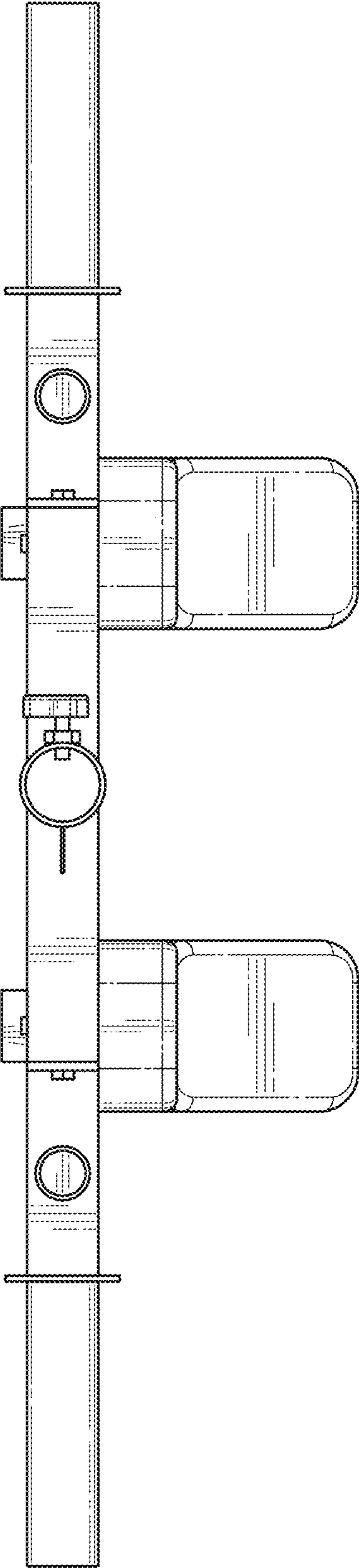


FIG. 2

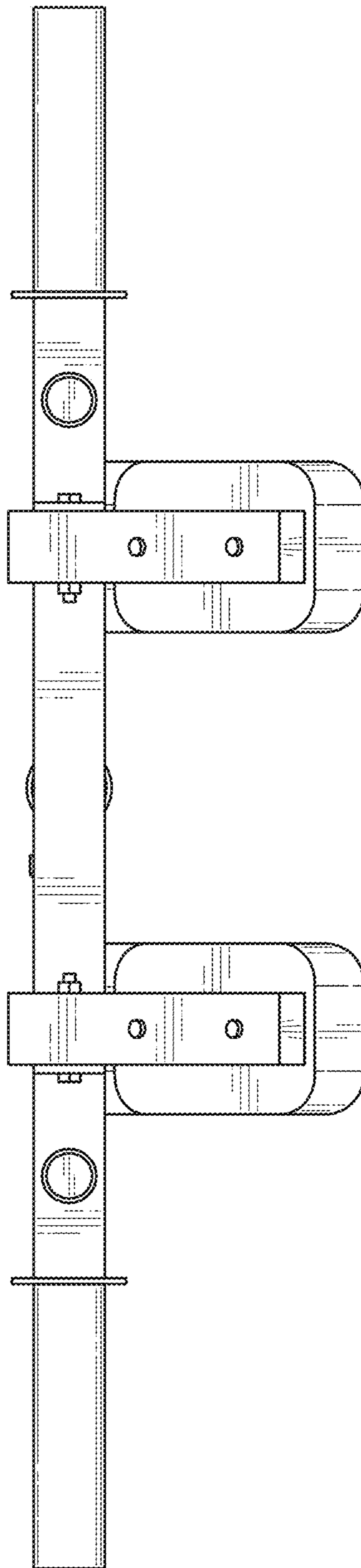


FIG. 3

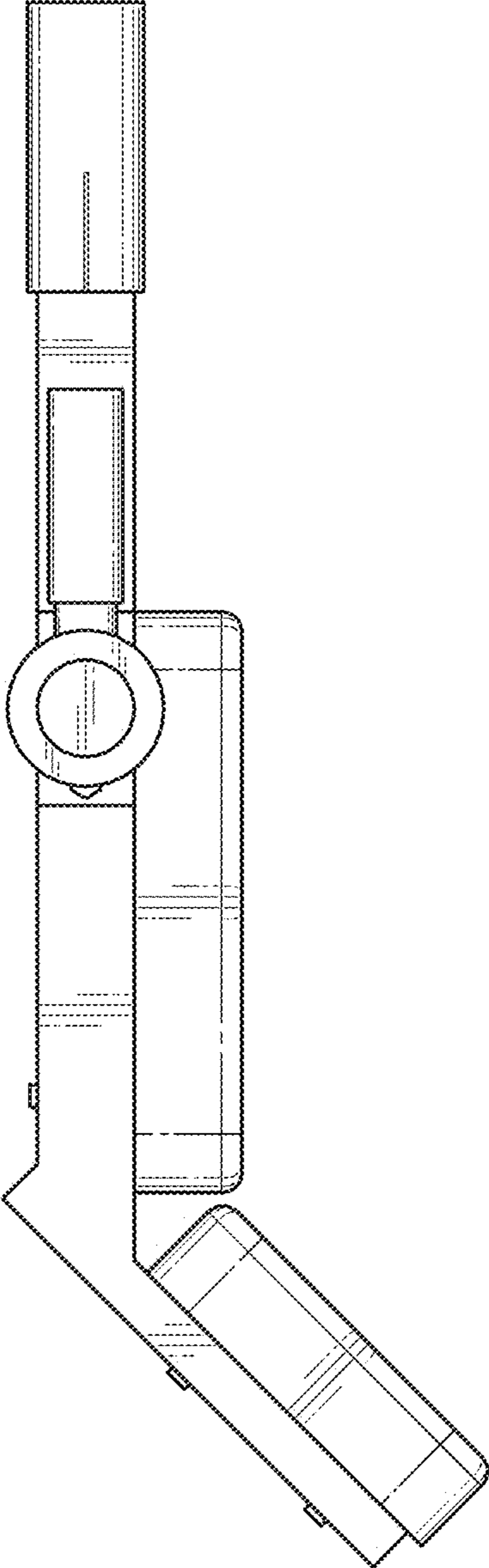


FIG. 4

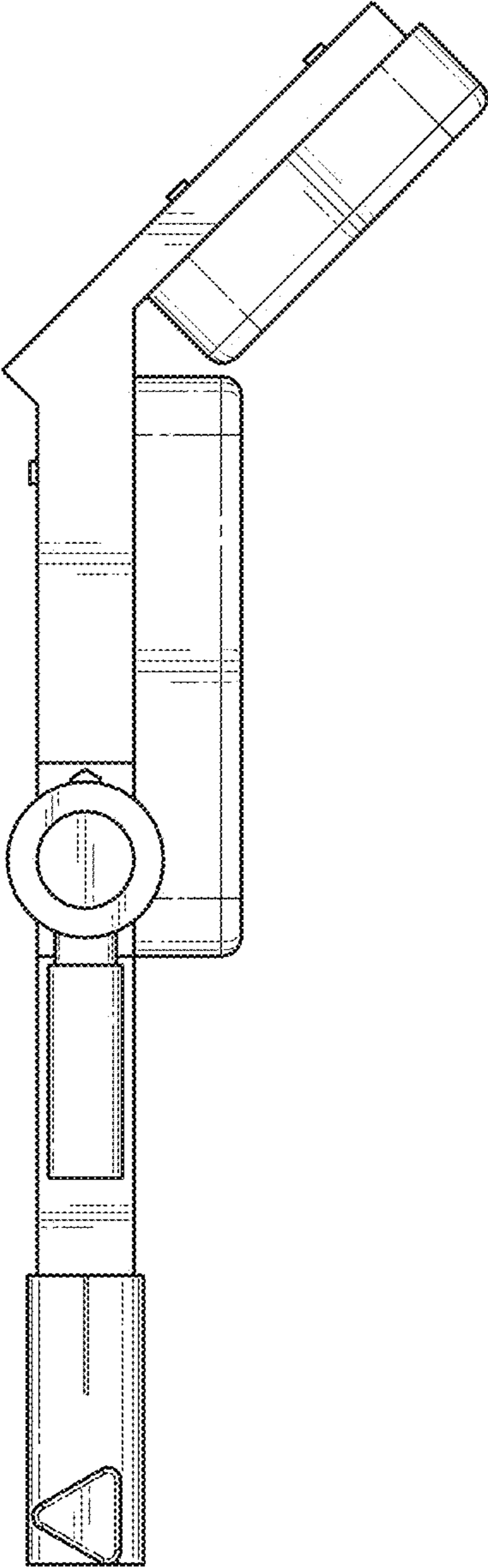


FIG. 5

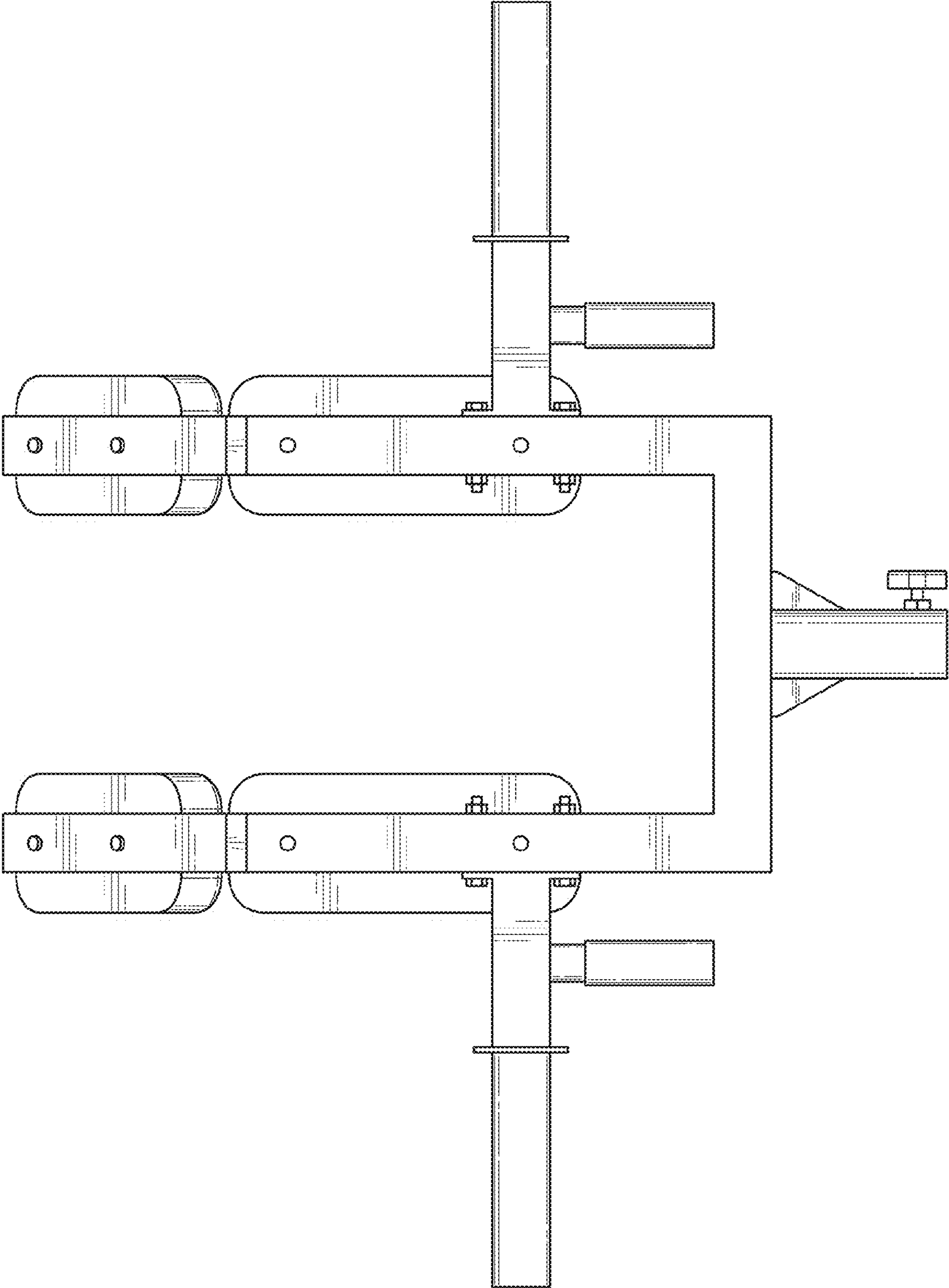


FIG. 6

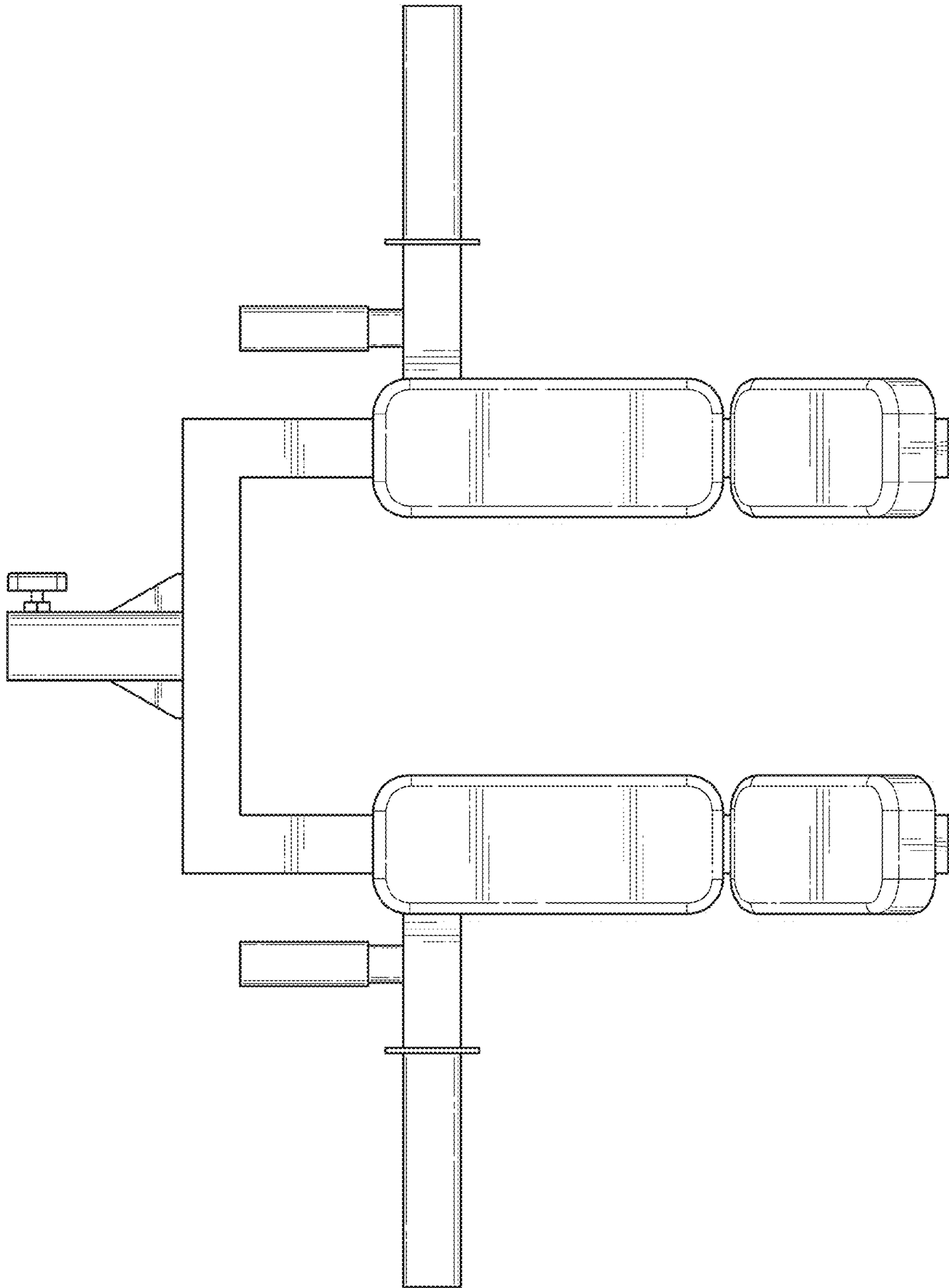


FIG. 7