



US00D977040S

(12) **United States Design Patent**  
**Sisler**

(10) **Patent No.:** **US D977,040 S**

(45) **Date of Patent:** **\*\* Jan. 31, 2023**

(54) **ADJUSTABLE KETTLEBELL**

(71) Applicant: **Craig Louis Sisler**, Meadowview, VA  
(US)

(72) Inventor: **Craig Louis Sisler**, Meadowview, VA  
(US)

(\*\*) Term: **15 Years**

(21) Appl. No.: **29/815,985**

(22) Filed: **Nov. 18, 2021**

(51) **LOC (14) Cl.** ..... **21-02**

(52) **U.S. Cl.**  
USPC ..... **D21/682**; D21/680

(58) **Field of Classification Search**  
USPC ..... D21/680, 682, 662, 684, 686, 692, 681;  
482/93, 106, 110, 108, 44, 91, 112;  
D30/160; D19/64  
CPC ..... A63B 21/0728; A63B 21/00065; A63B  
21/072; A63B 21/075; A63B 21/4035;  
A63B 21/06; A63B 21/0602; A63B  
21/0004

See application file for complete search history.

(56) **References Cited**

**U.S. PATENT DOCUMENTS**

4,717,147 A \* 1/1988 Rochelle ..... A63B 21/0724  
482/106  
D416,959 S \* 11/1999 Tumminia ..... D21/679  
(Continued)

**OTHER PUBLICATIONS**

Apex by Apex Store dated Aug. 8, 2017. Found online [Mar. 7, 2022] <https://tinyurl.com/8294evxp>.\*

*Primary Examiner* — Ryan Harvey

(74) *Attorney, Agent, or Firm* — Gearhart Law LLC;  
David Postolski

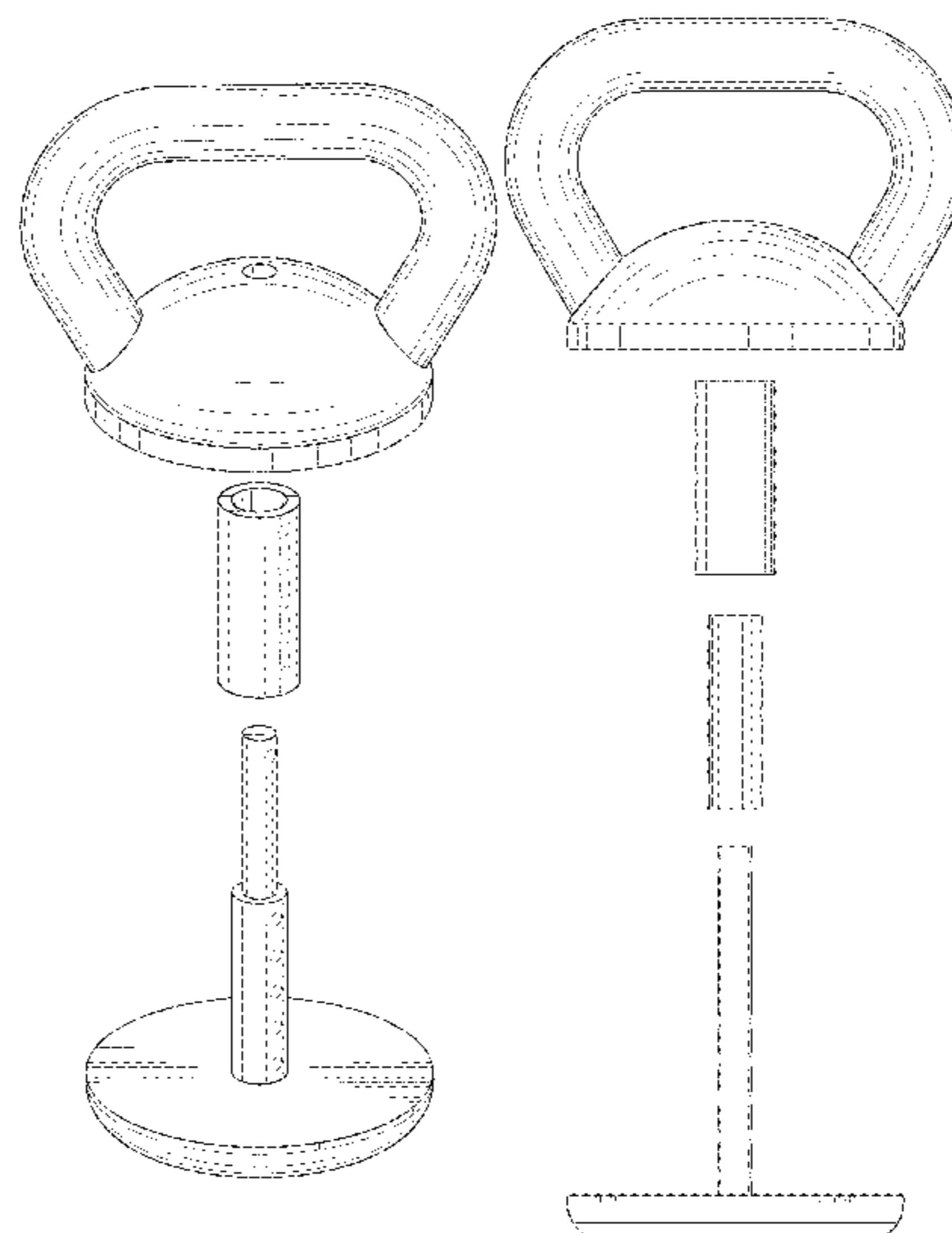
(57) **CLAIM**

I claim the ornamental design for an adjustable kettlebell, as shown and described.

**DESCRIPTION**

FIG. 1 depicts an exploded front perspective view of a new and ornamental design for an adjustable kettle. FIG. 2 depicts an exploded front view of FIG. 1. FIG. 3 depicts an exploded back view of FIG. 1. FIG. 4 depicts an exploded left side view of FIG. 1. FIG. 5 depicts an exploded right-side view of FIG. 1. FIG. 6 depicts an exploded top view of FIG. 1. FIG. 7 depicts an exploded bottom view of FIG. 1. FIG. 8 depicts a front perspective view of FIG. 1 with one sleeve attached. FIG. 9 depicts a left side view of FIG. 8 with one sleeve attached. FIG. 10 depicts a front perspective view of FIG. 8 with one unattached sleeve. FIG. 11 depicts a left side view of FIG. 8 with one unattached sleeve. FIG. 12 depicts a front perspective view of FIG. 8. FIG. 13 depicts an exploded front perspective view of an alternative embodiment of a new and ornamental design for an adjustable kettle. FIG. 14 depicts an exploded front view of FIG. 13. FIG. 15 depicts an exploded back view of FIG. 13. FIG. 16 depicts an exploded left side view of FIG. 13. FIG. 17 depicts an exploded right-side view of FIG. 13. FIG. 18 depicts an exploded top view of FIG. 13. FIG. 19 depicts an exploded bottom view of FIG. 13. FIG. 20 depicts a front perspective view of FIG. 13 with two sleeves attached. FIG. 21 depicts a left side view of FIG. 13 with two sleeves attached. FIG. 22 depicts a front perspective view of FIG. 13 with two unattached sleeves. FIG. 23 depicts a left side view of FIG. 13 with unattached sleeves; and, FIG. 24 depicts a front perspective view of FIG. 13.

**1 Claim, 24 Drawing Sheets**



(56)

References Cited

U.S. PATENT DOCUMENTS

6,387,022 B1 *	5/2002	Smith	A63B 65/06	2006/0035767 A1 *	2/2006	Ekhaus	A63B 21/0601
			482/106				482/50
D522,594 S *	6/2006	Donahue	D21/682	2007/0135274 A1 *	6/2007	Blateri	A63B 21/075
D522,595 S *	6/2006	Donahue	D21/682				482/109
D571,418 S *	6/2008	Gormley	D21/680	2008/0081744 A1 *	4/2008	Gormley	A63B 21/0728
7,491,157 B1 *	2/2009	Lin	A63B 21/072				482/93
			482/107	2009/0062085 A1 *	3/2009	Polevoy	A63B 21/0728
7,563,208 B1 *	7/2009	Chen	A63B 21/075				482/93
			482/93	2010/0120588 A1 *	5/2010	Krull	A63B 21/0728
7,762,933 B1 *	7/2010	Yu	A63B 21/075				482/93
			482/109	2010/0190619 A1 *	7/2010	Chen	A63B 21/072
7,883,452 B1 *	2/2011	Chen	A63B 21/072				482/108
			482/93	2010/0331151 A1 *	12/2010	Signorile	A63B 21/00196
D644,701 S *	9/2011	Towley, III	D21/681				482/93
D651,672 S *	1/2012	Towley, III	D21/681	2011/0263392 A1 *	10/2011	Yu	A63B 21/072
D652,877 S *	1/2012	Dalebout	D21/682				482/93
D653,715 S *	2/2012	Tumminia	A63B 21/072	2011/0275494 A1 *	11/2011	Radi	A63B 21/0603
			D21/679				482/93
D664,613 S *	7/2012	Dalebout	D21/682	2012/0252641 A1 *	10/2012	Odneal	A63B 21/072
D692,509 S *	10/2013	Kessler	D21/682				482/108
9,022,906 B1 *	5/2015	Nelson	A63B 21/4035	2013/0040789 A1 *	2/2013	Kessler	A63B 21/072
			482/109				482/108
9,327,159 B1 *	5/2016	Medina	A63B 21/0726	2013/0210589 A1 *	8/2013	Thompson	A63B 21/0726
9,731,159 B2 *	8/2017	Reynolds	A63B 21/4035				482/108
D796,592 S *	9/2017	Towley	D21/682	2014/0024506 A1 *	1/2014	Vixathep	A63B 21/072
9,814,421 B2 *	11/2017	Edwards	A61B 5/221				482/108
D804,592 S *	12/2017	Wittmack	D21/681	2014/0057764 A1 *	2/2014	Klukas	A63B 21/0728
10,099,083 B1 *	10/2018	Owusu	A63B 24/0062				482/109
10,188,899 B1 *	1/2019	Acuna, Jr.	A63B 21/0442	2015/0105224 A1 *	4/2015	Odneal	A63B 21/0726
			D21/682				164/47
D843,511 S *	3/2019	Harrison	D21/682	2015/0196792 A1 *	7/2015	Towley	A63B 21/075
D844,718 S *	4/2019	Buikema	D21/682				482/93
D879,888 S *	3/2020	Flick	D21/680	2017/0225025 A1 *	8/2017	Towley	A63B 71/0036
D879,891 S *	3/2020	Sundblad	D21/694				A63B 21/00065
D888,848 S *	6/2020	Owusu	D21/680	2017/0246495 A1 *	8/2017	Wyncott	A63B 21/00065
10,695,614 B2 *	6/2020	Owusu	A61B 5/6895				A63B 21/072
			D21/682	2018/0117387 A1 *	5/2018	Wang	A63B 21/072
D896,325 S *	9/2020	Sundblad	D21/682				A63B 21/075
D908,819 S *	1/2021	Flick	D21/680	2018/0169460 A1 *	6/2018	Chen	A63B 21/075
D942,559 S *	2/2022	Wang	D21/680				A63B 21/072
				2019/0217146 A1 *	7/2019	Sisler	A63B 21/072
							A63B 21/072
				2019/0240526 A1 *	8/2019	Owusu	A63B 21/0724
							A63B 21/0728
				2021/0154520 A1 *	5/2021	Sundblad	A63B 21/0728
							A63B 21/075
				2021/0244994 A1 *	8/2021	Wang	A63B 21/075
							A63B 21/0728
				2021/0379440 A1 *	12/2021	Sisler	A63B 21/0728

\* cited by examiner

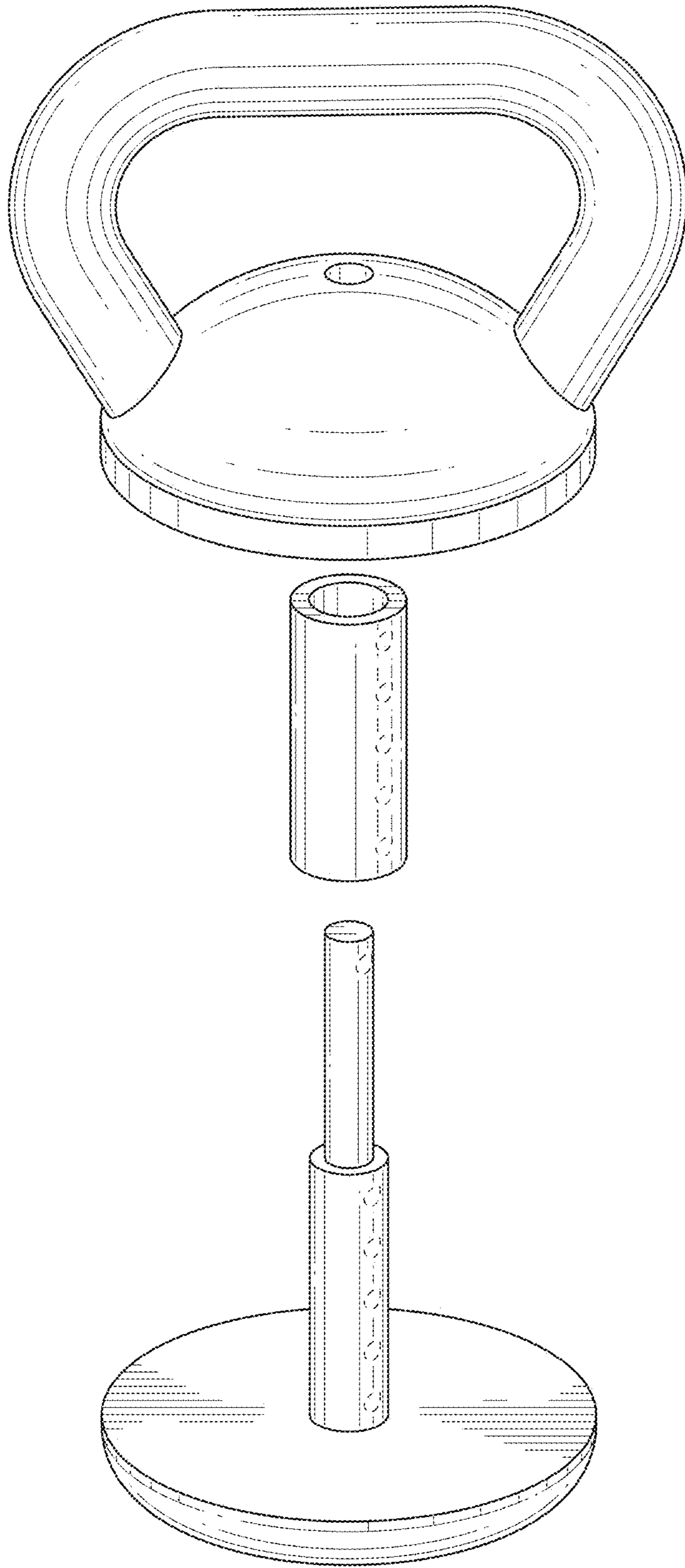


FIG. 1

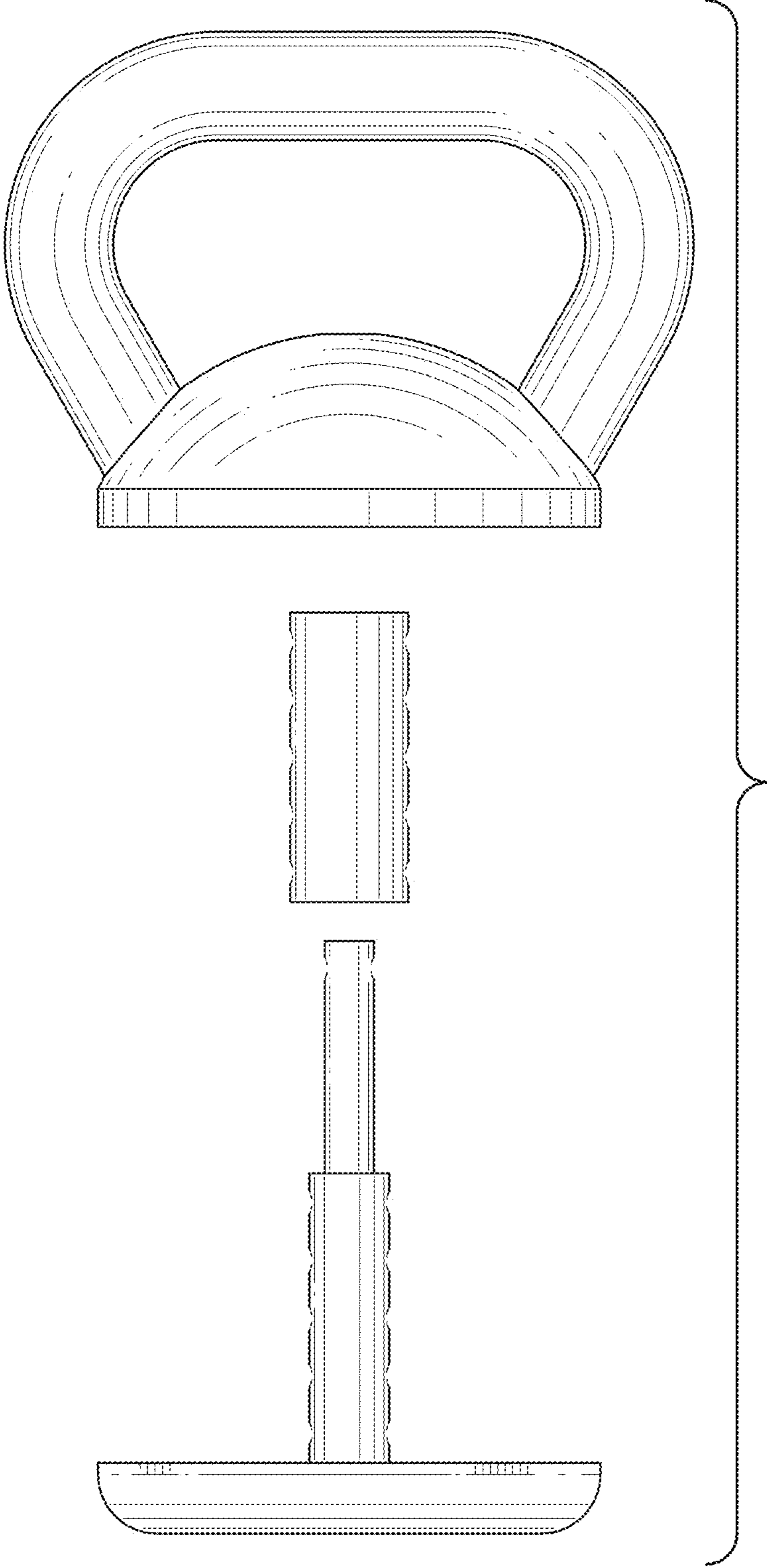


FIG. 2

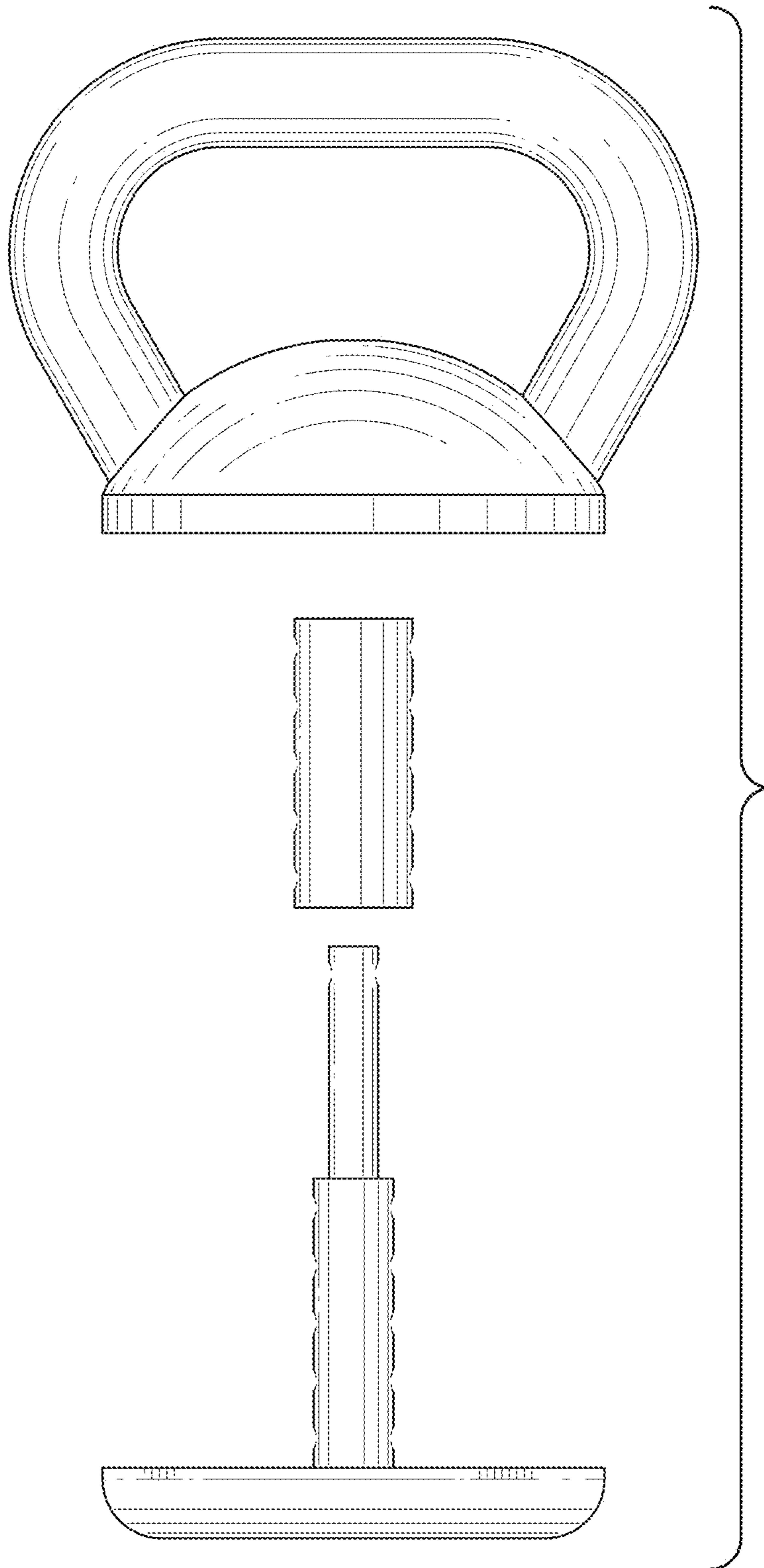


FIG. 3

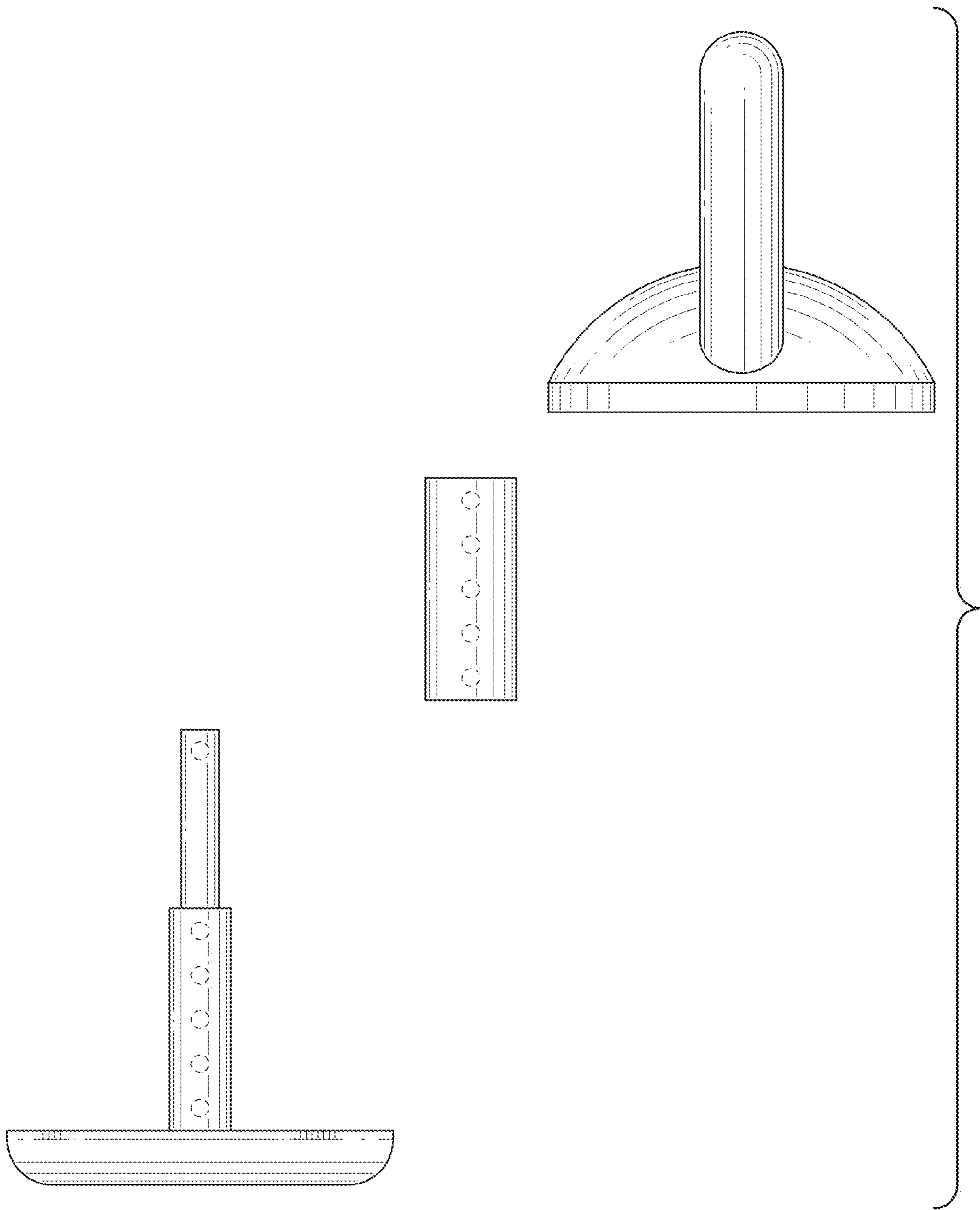


FIG. 4

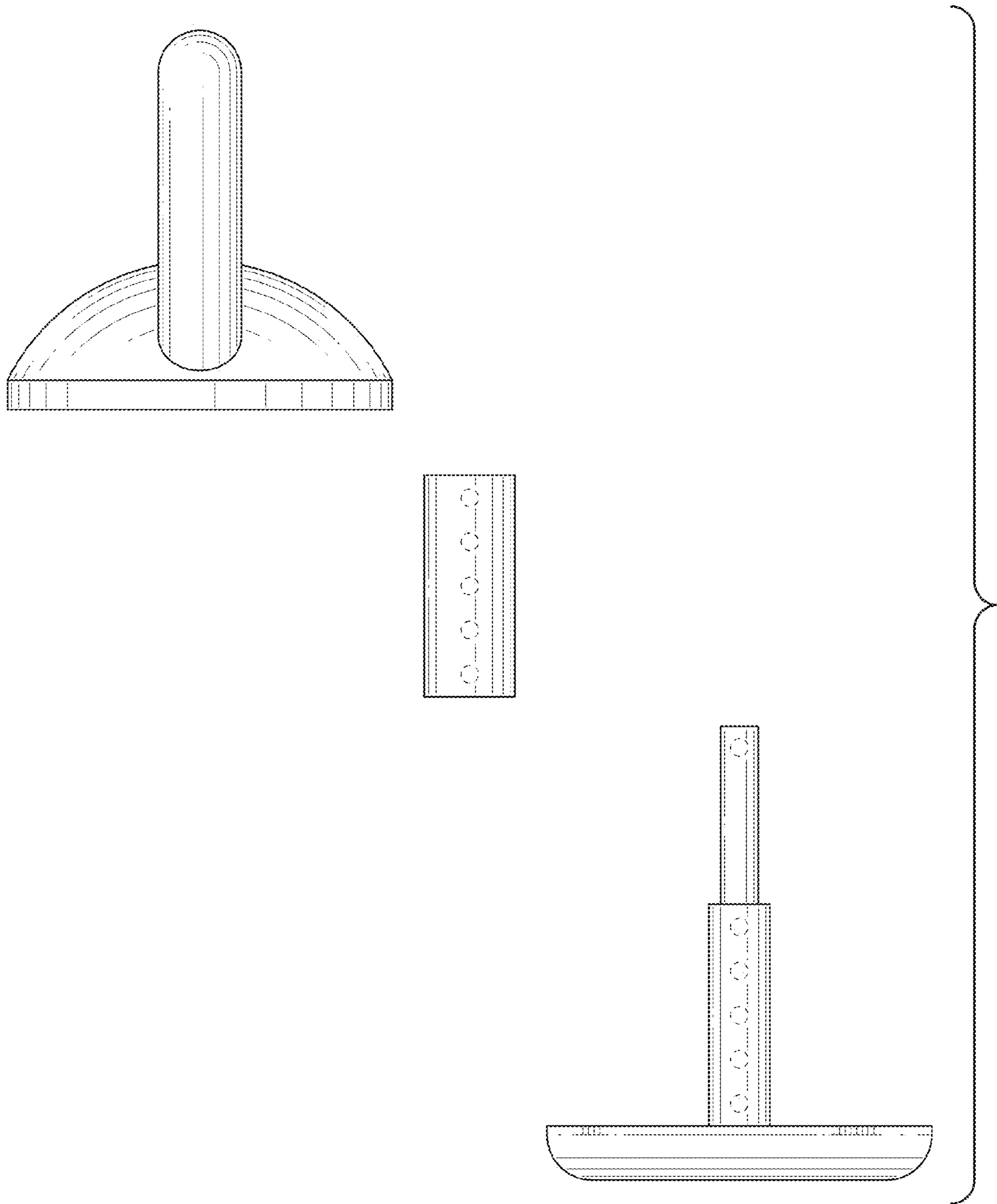


FIG. 5

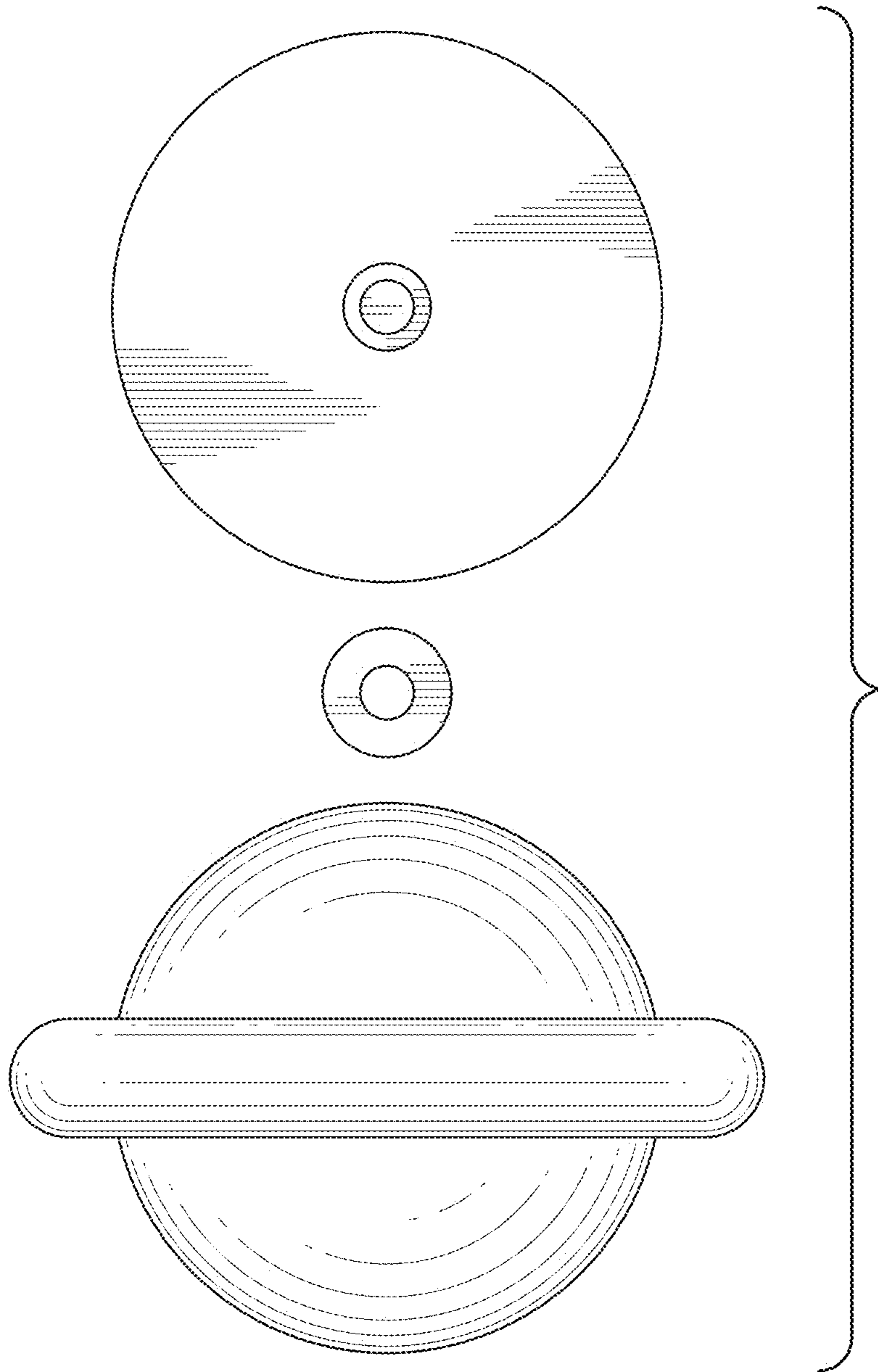


FIG. 6



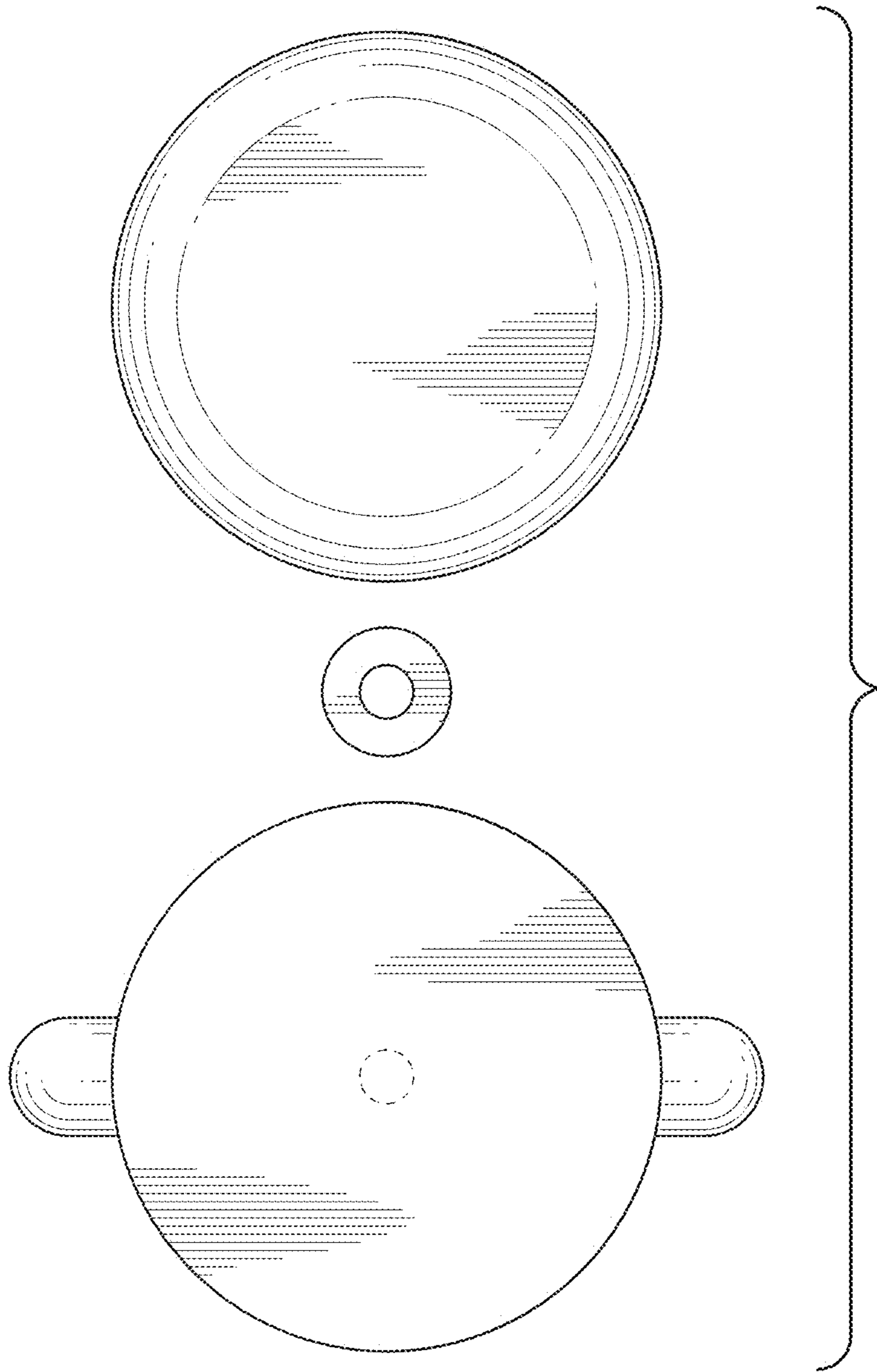


FIG. 7

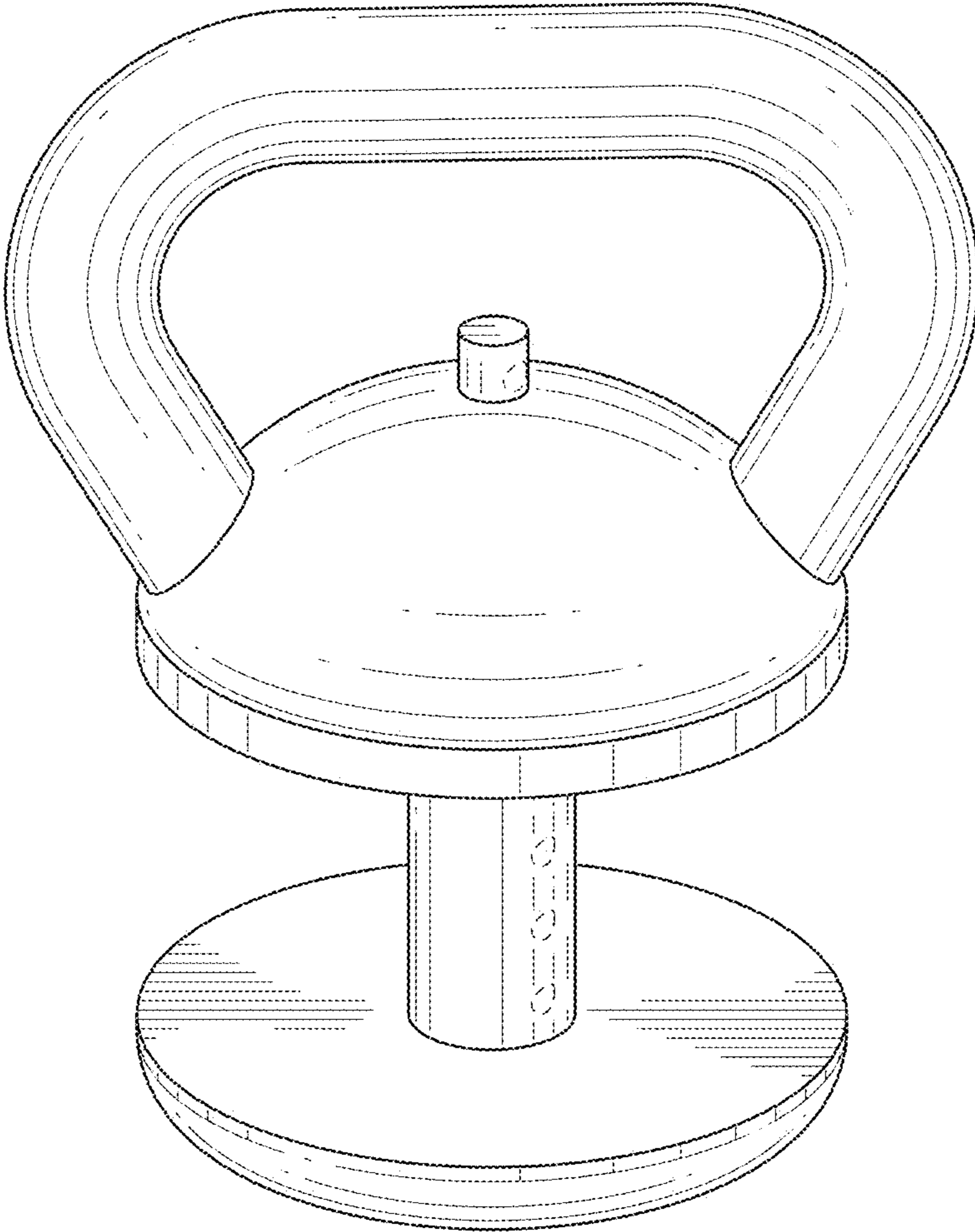


FIG. 8

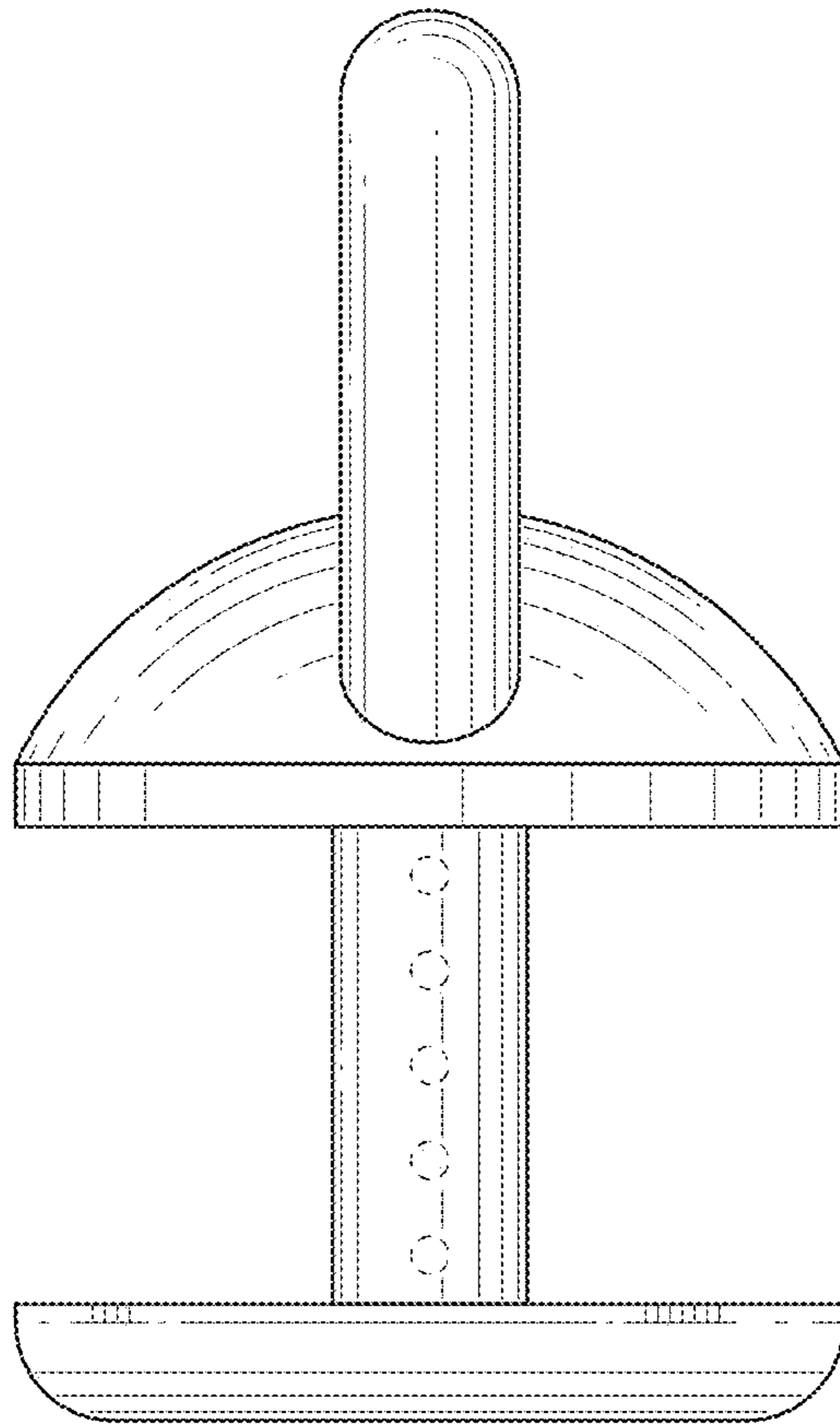


FIG. 9

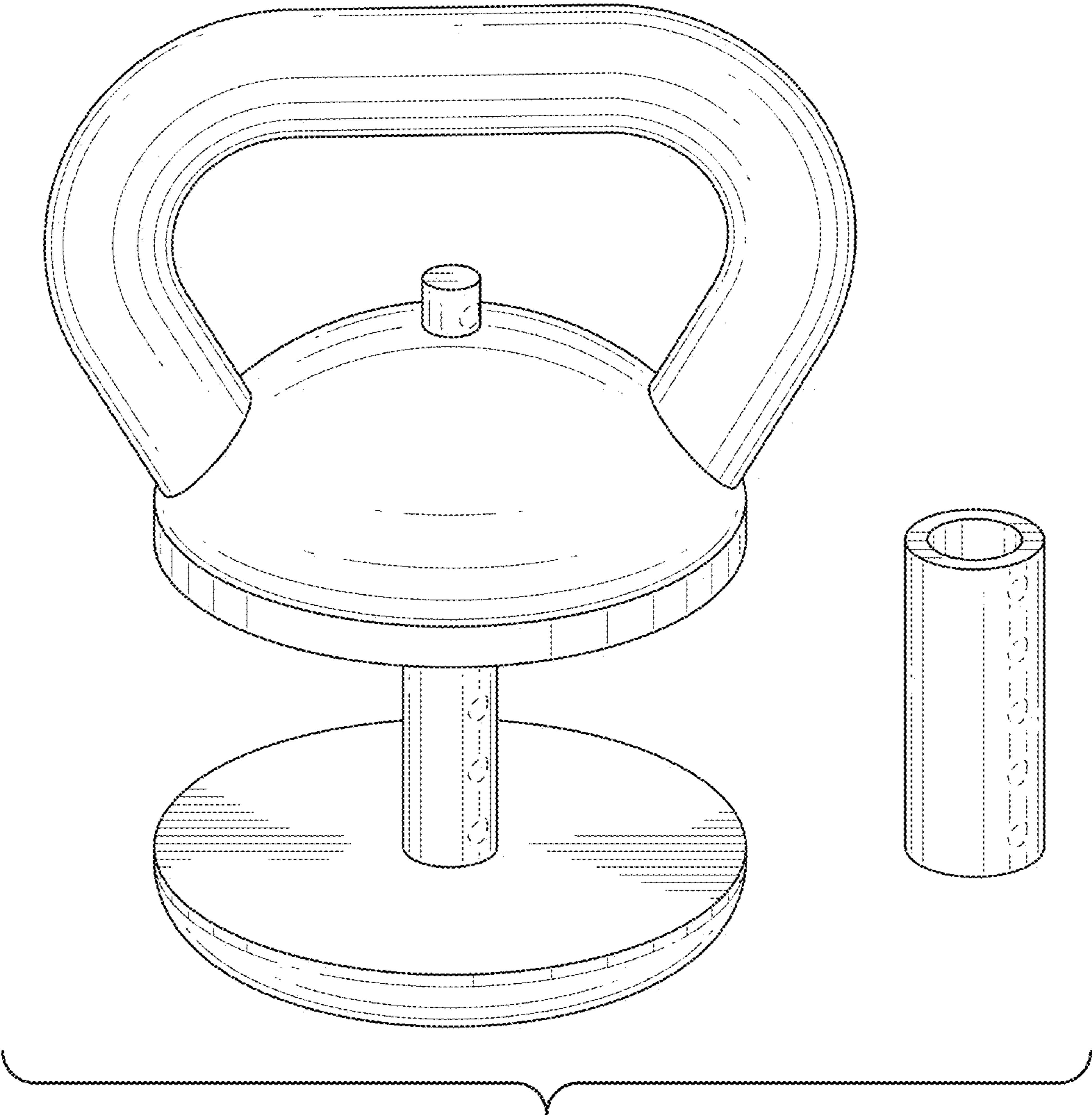


FIG. 10

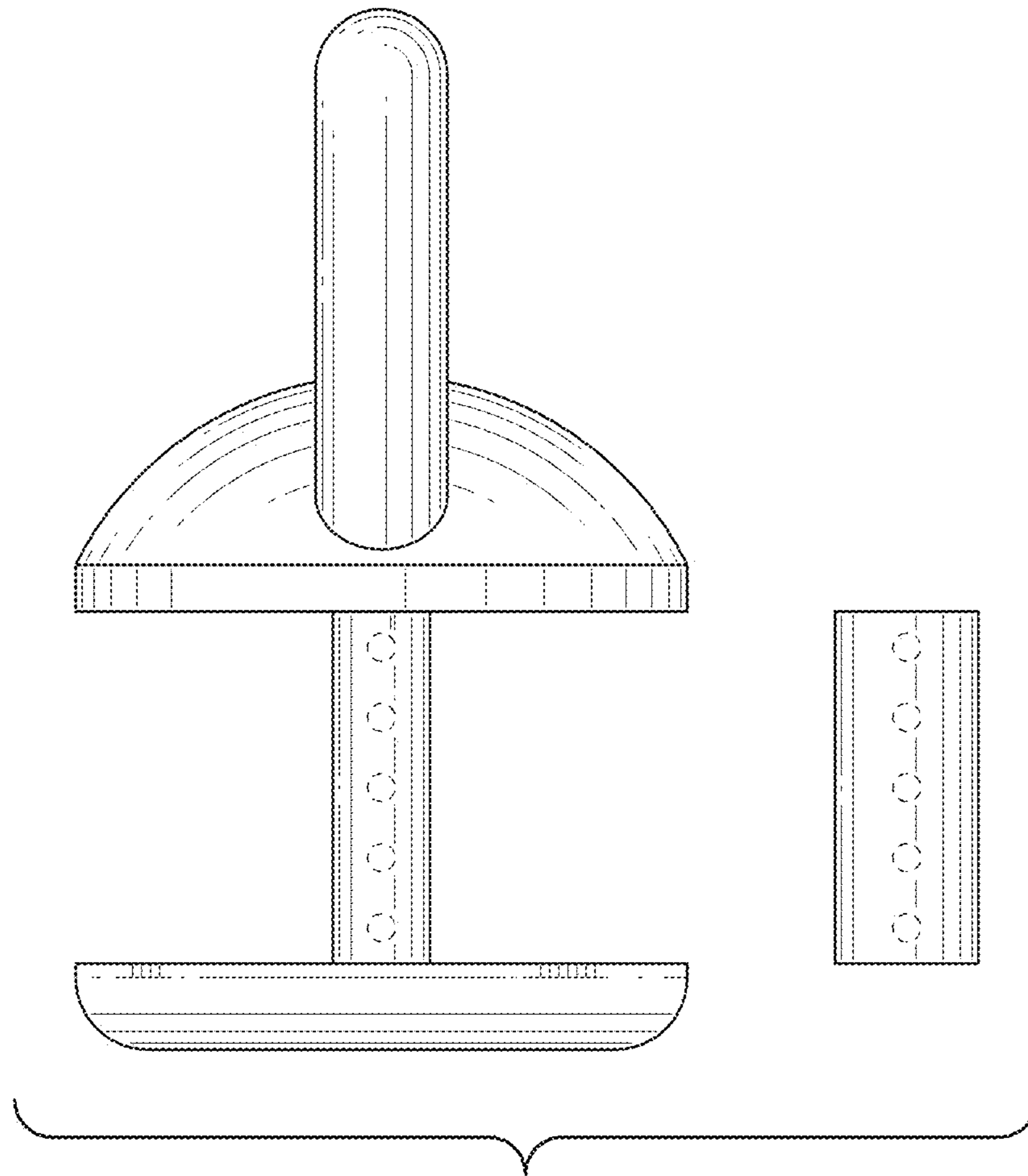


FIG. 11

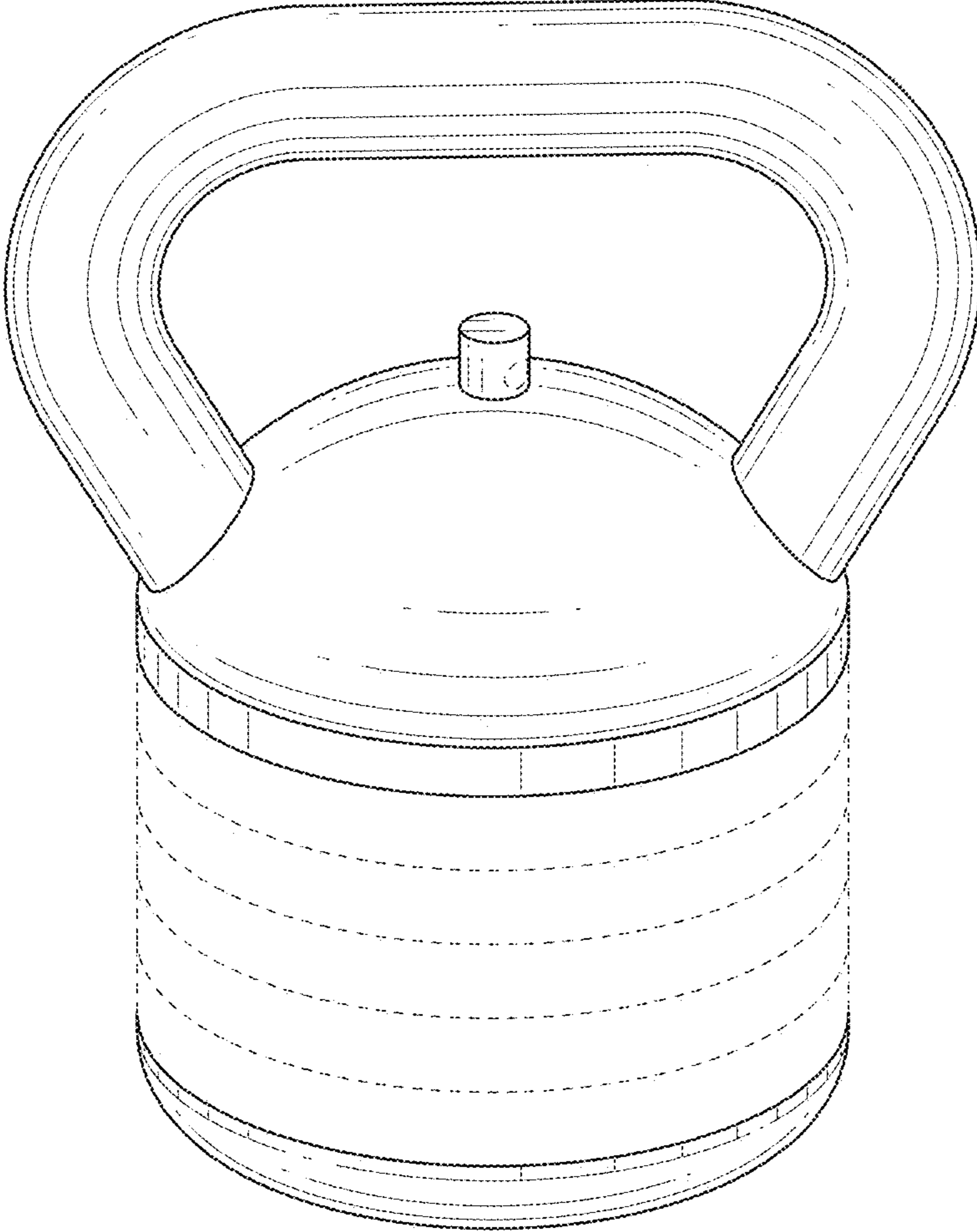


FIG. 12

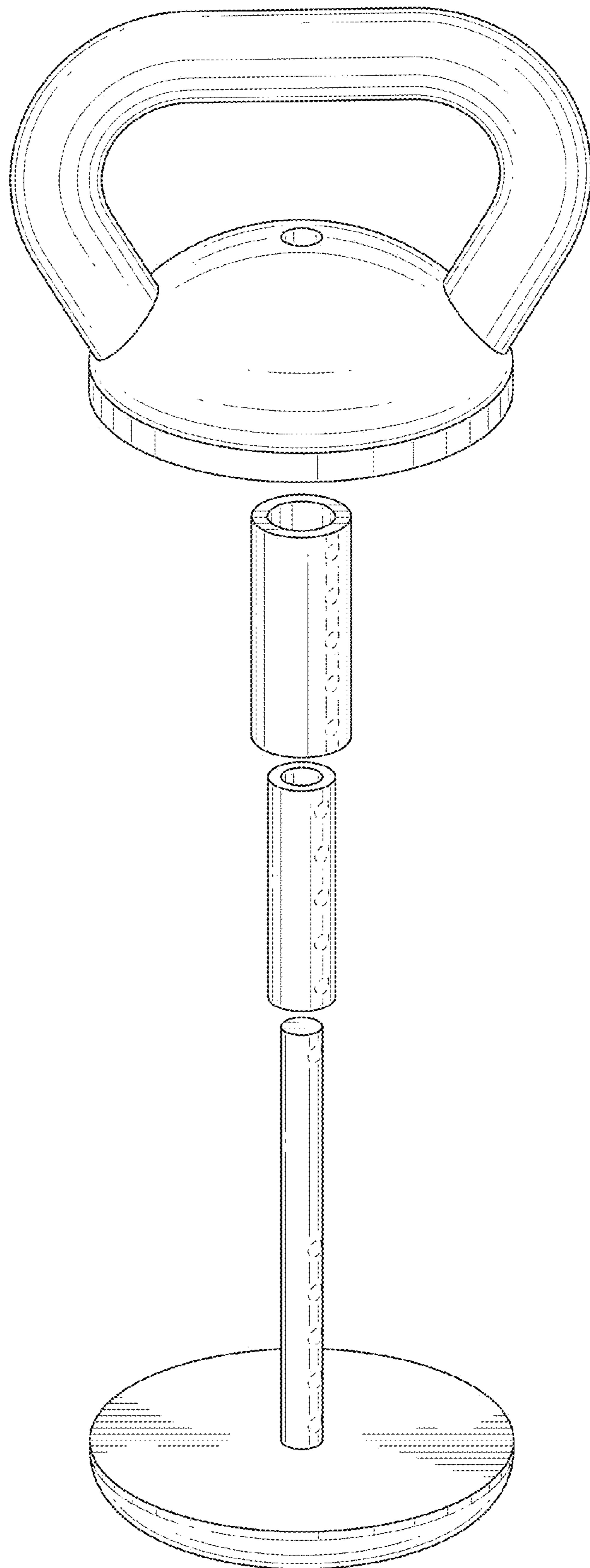


FIG. 13

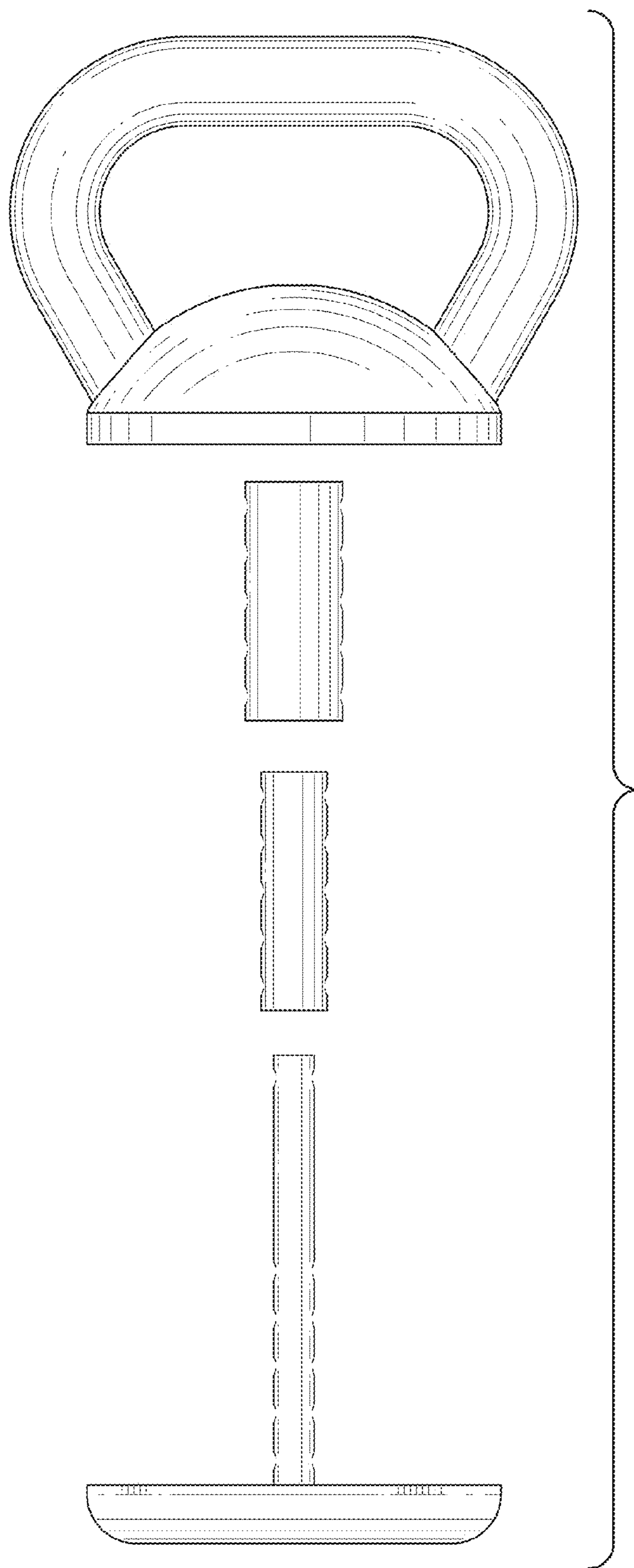


FIG. 14



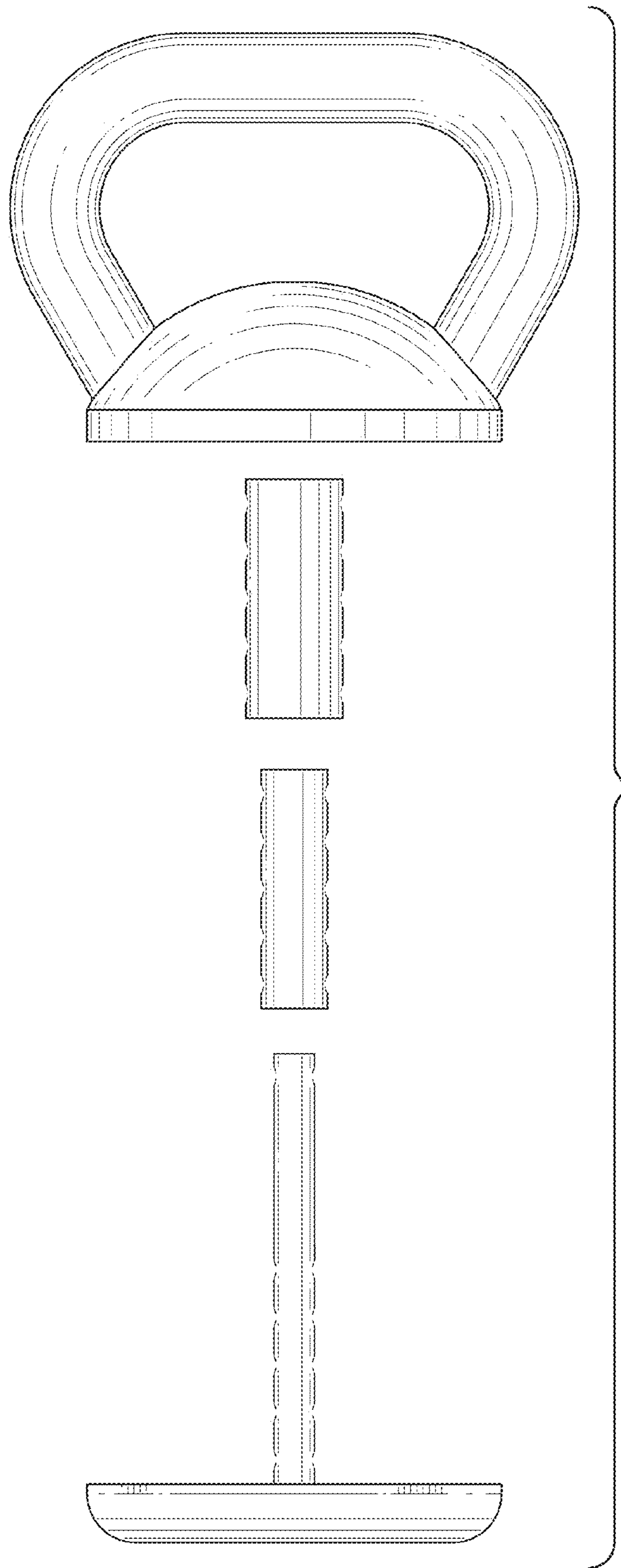


FIG. 15

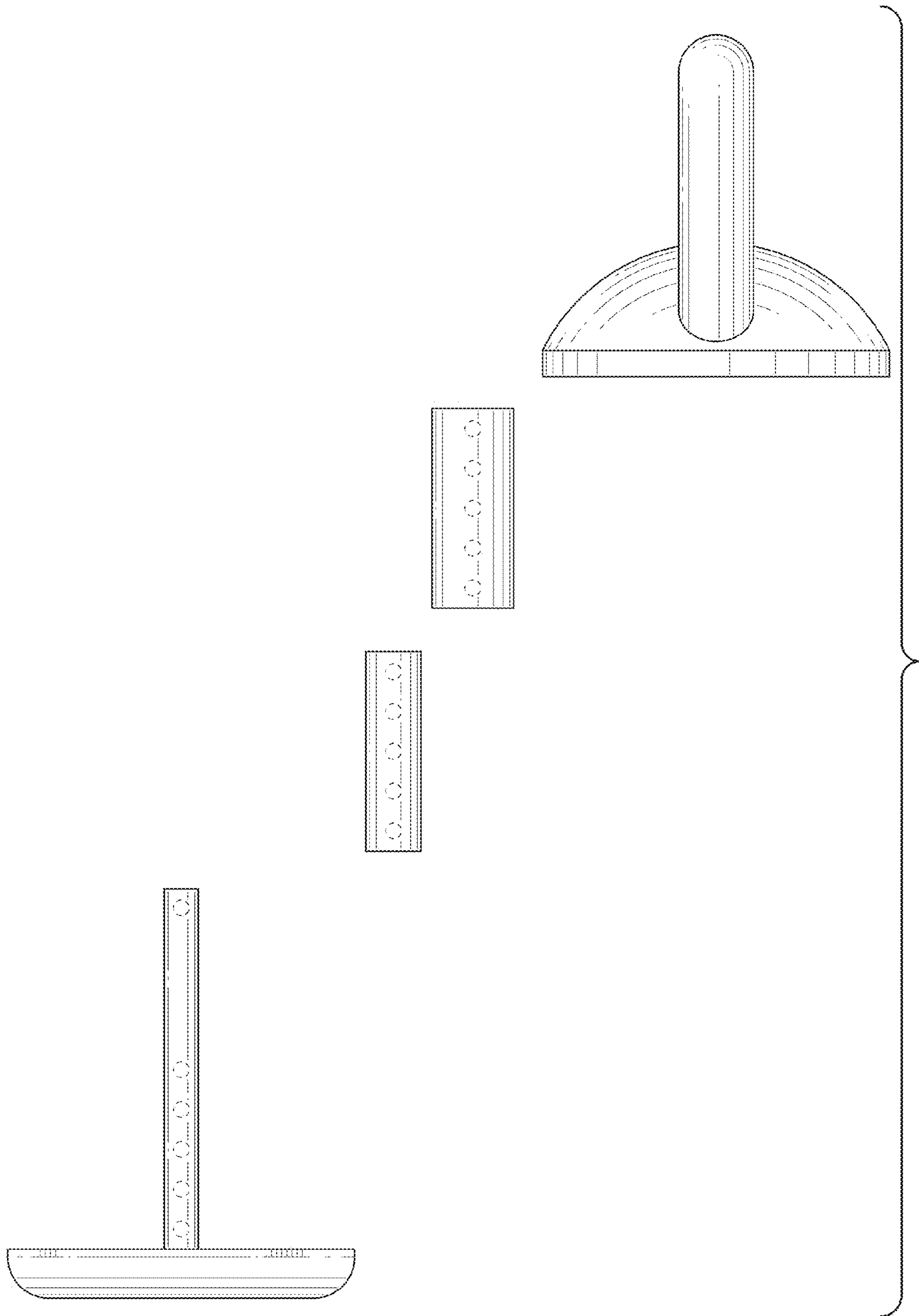


FIG. 16

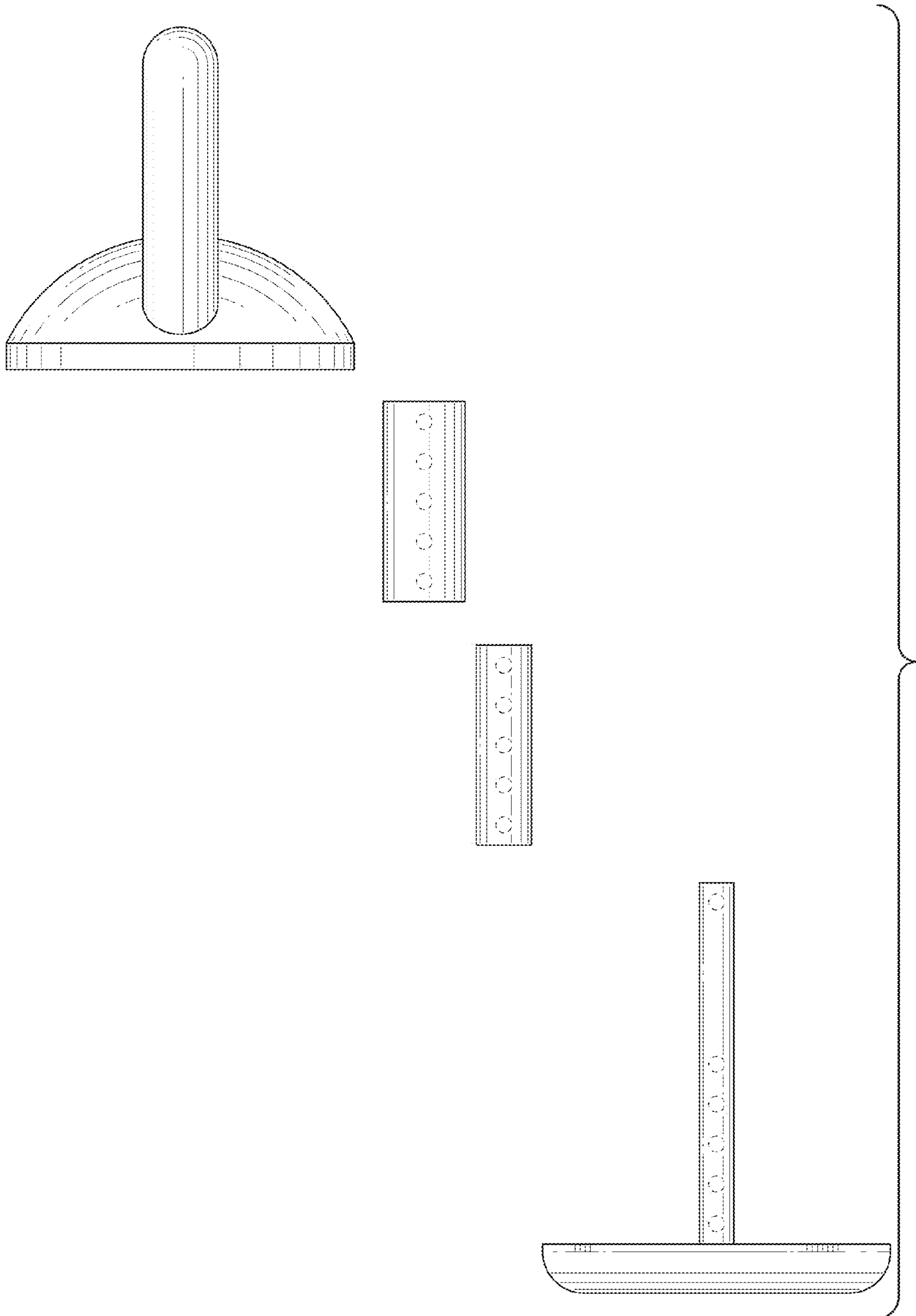


FIG. 17

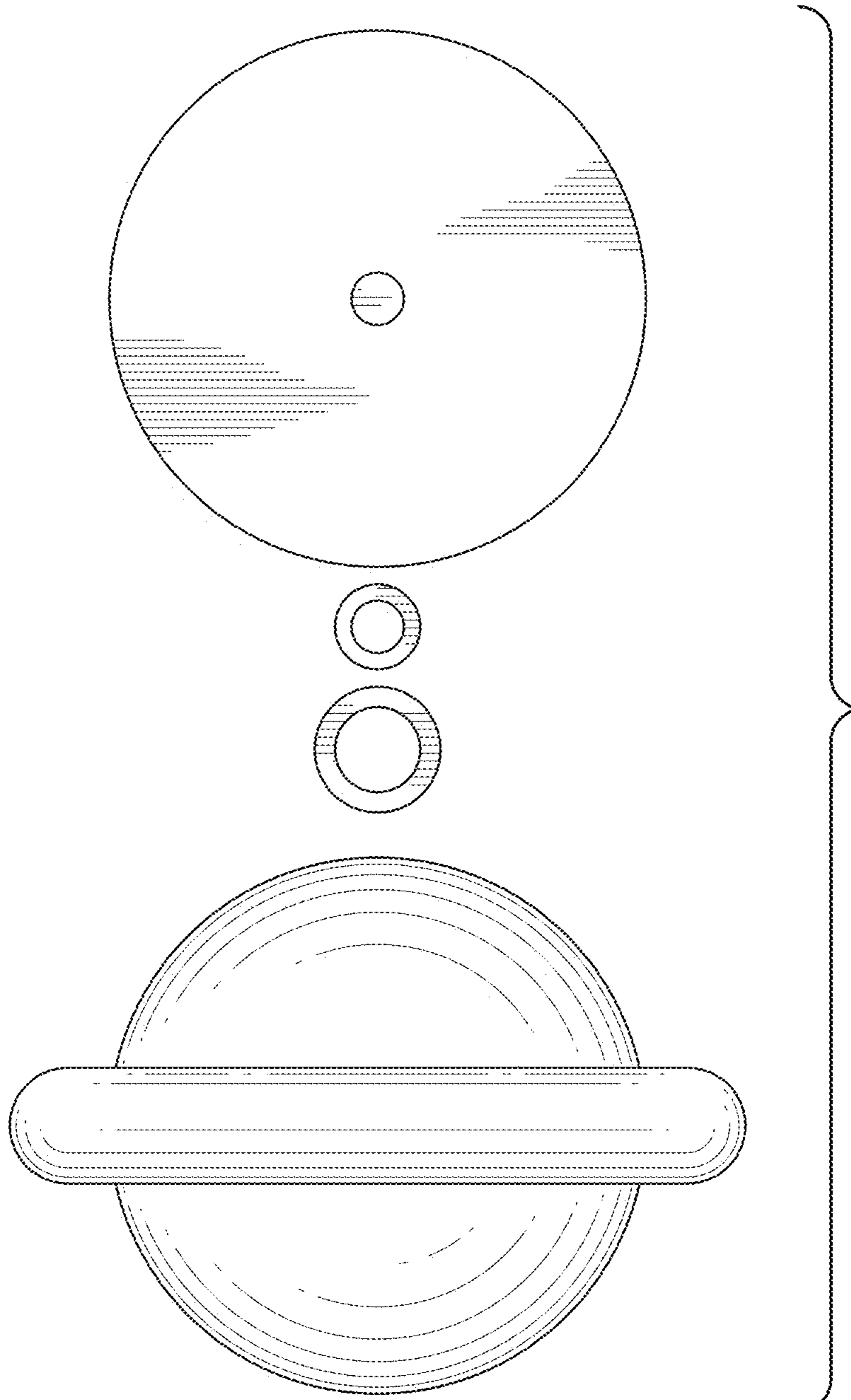


FIG. 18

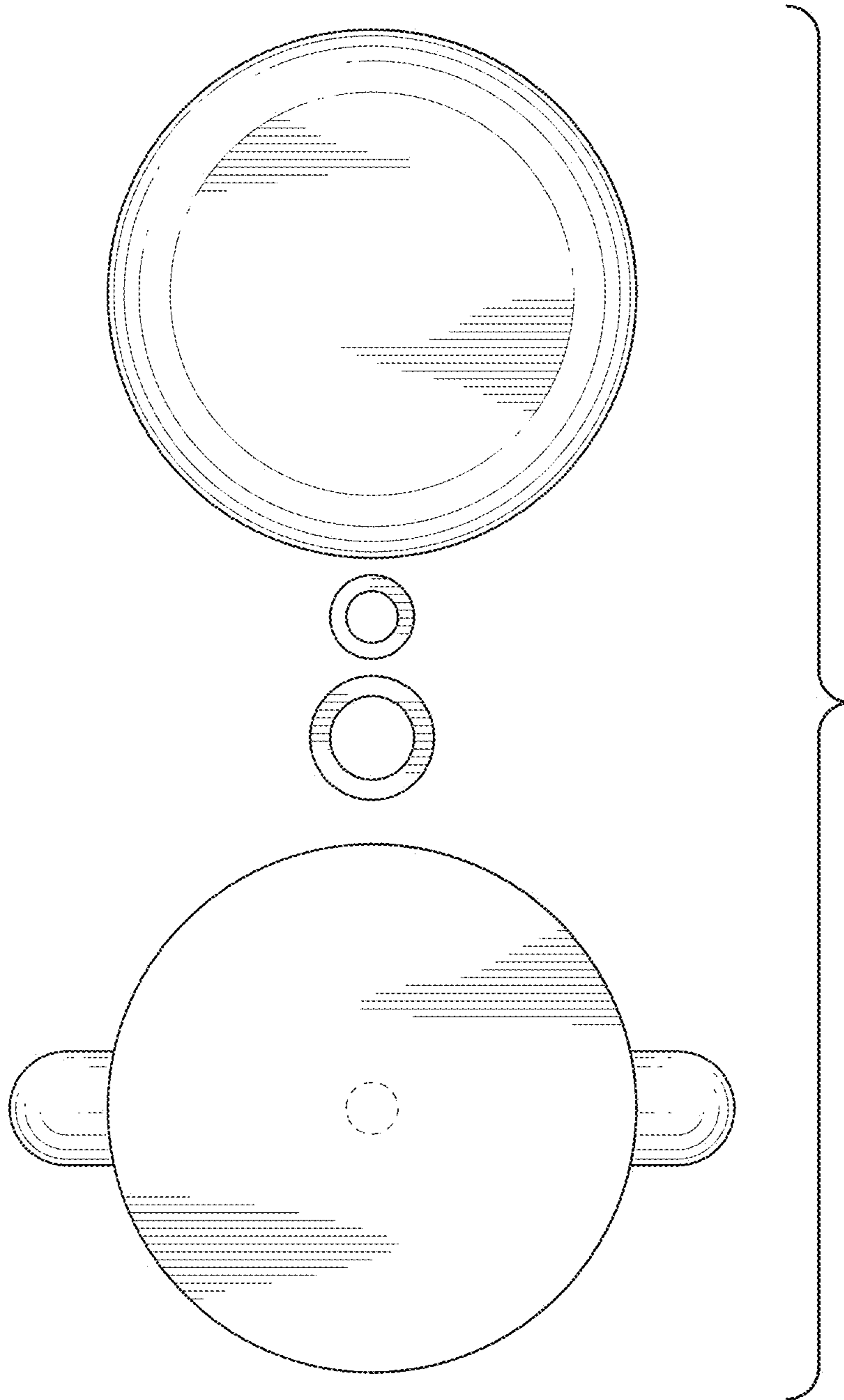


FIG. 19

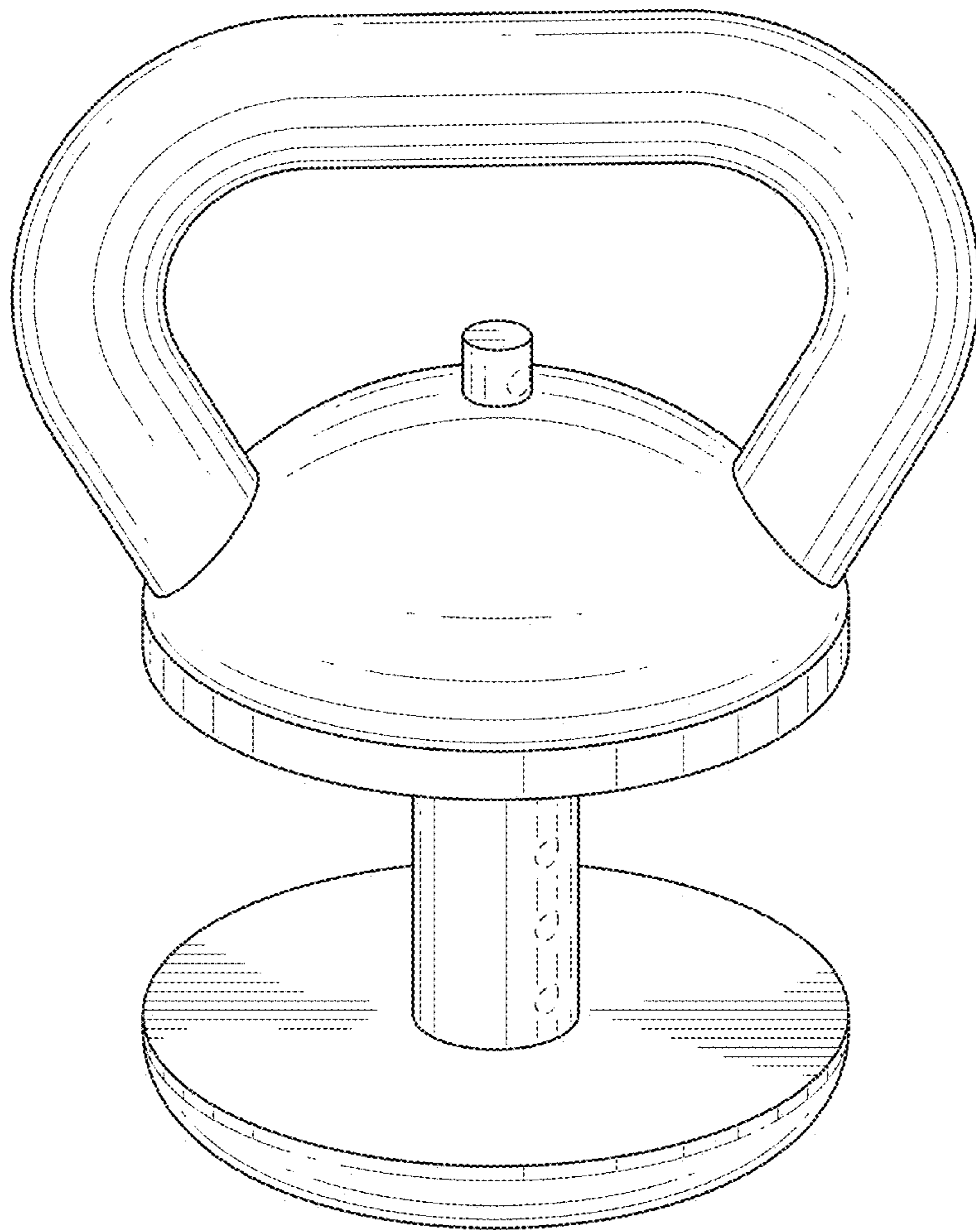


FIG. 20

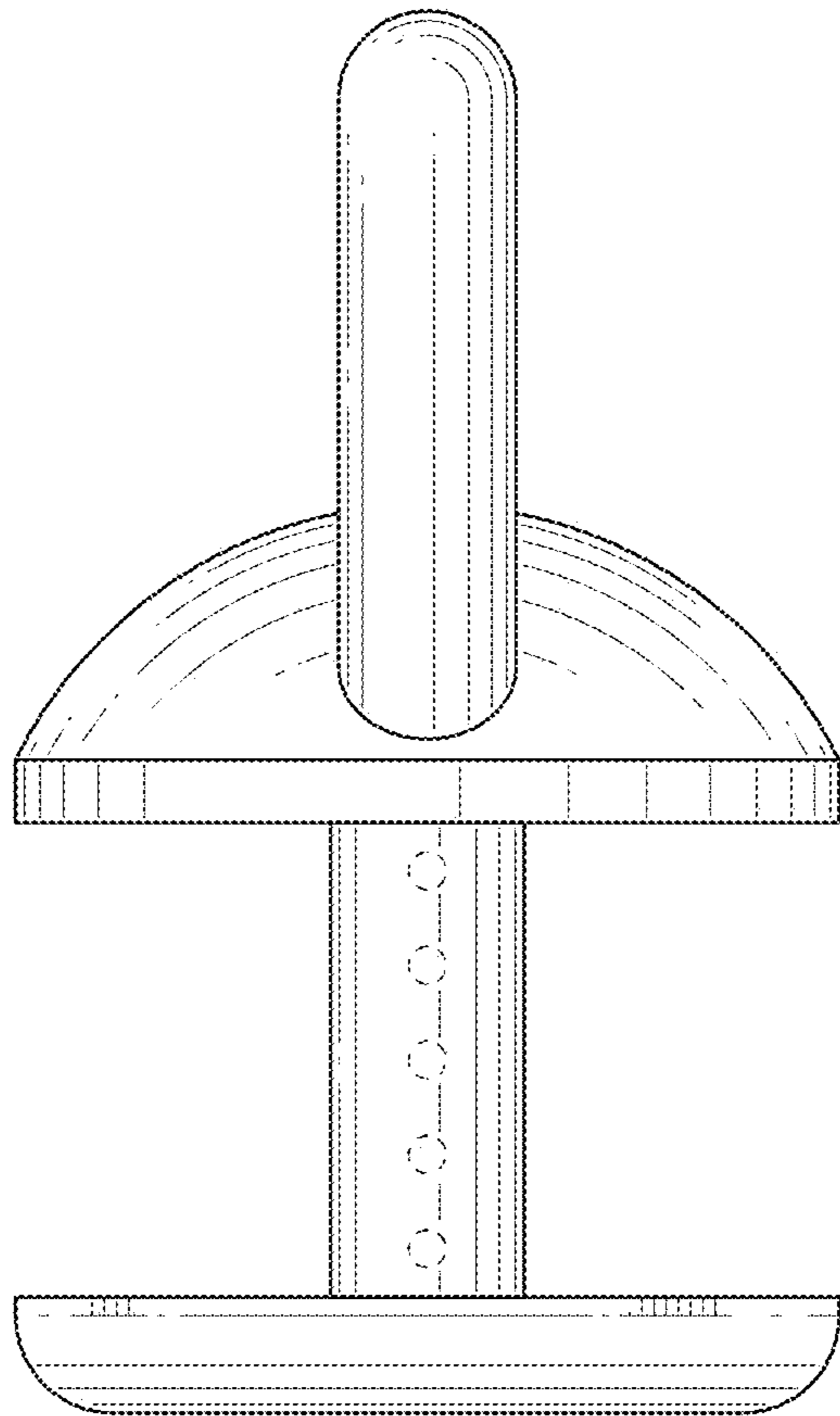


FIG. 21

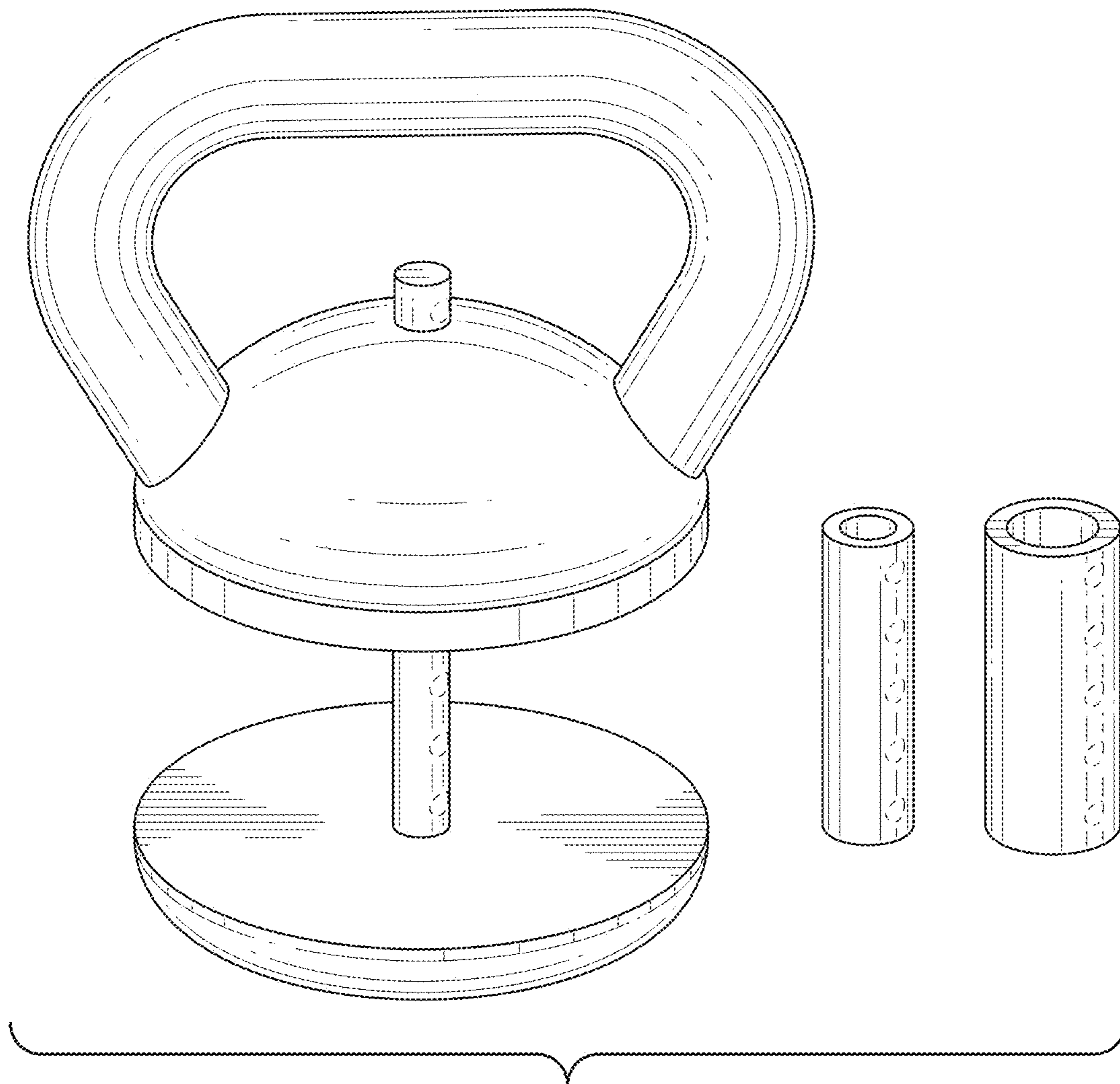


FIG. 22



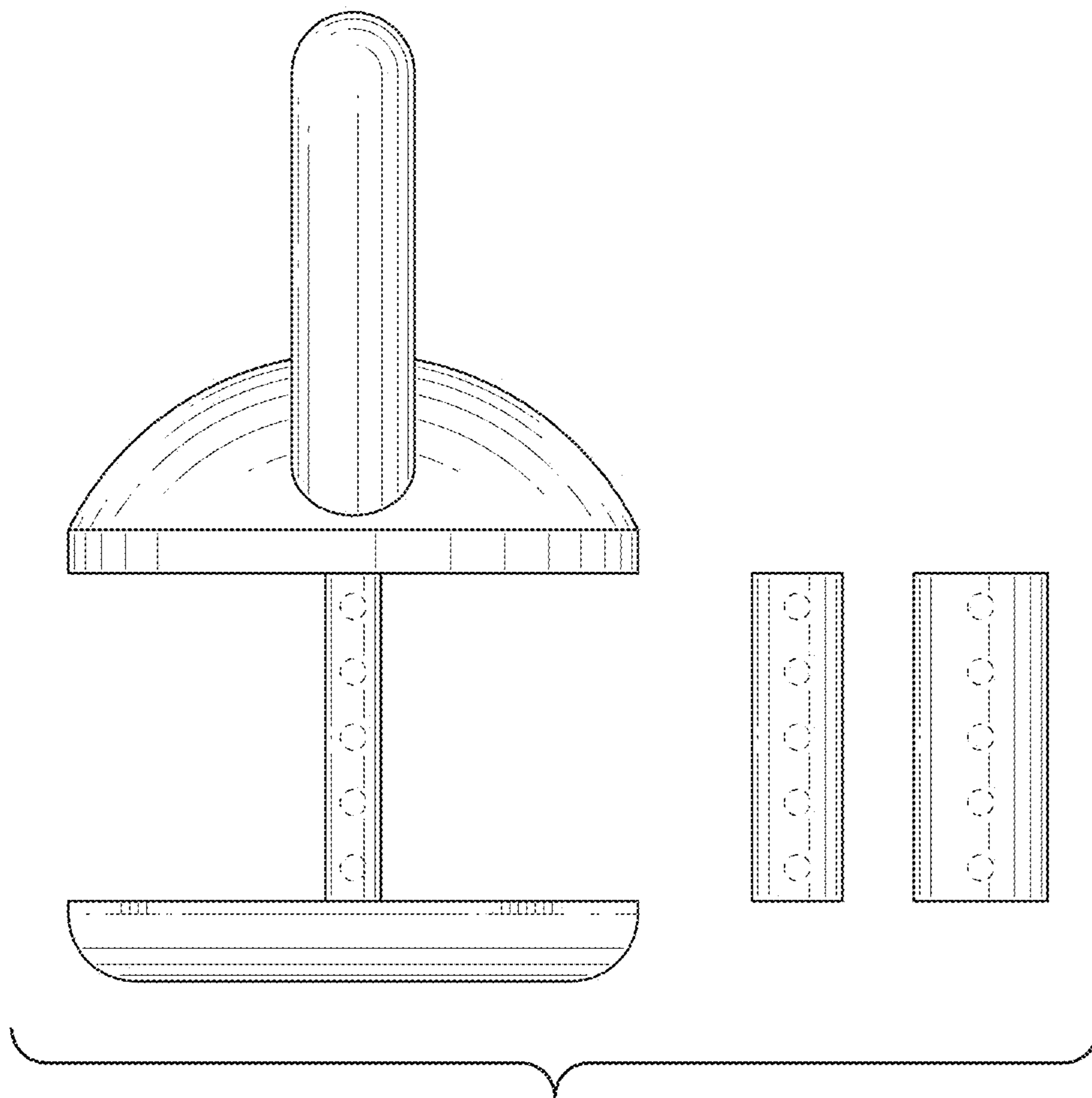


FIG. 23

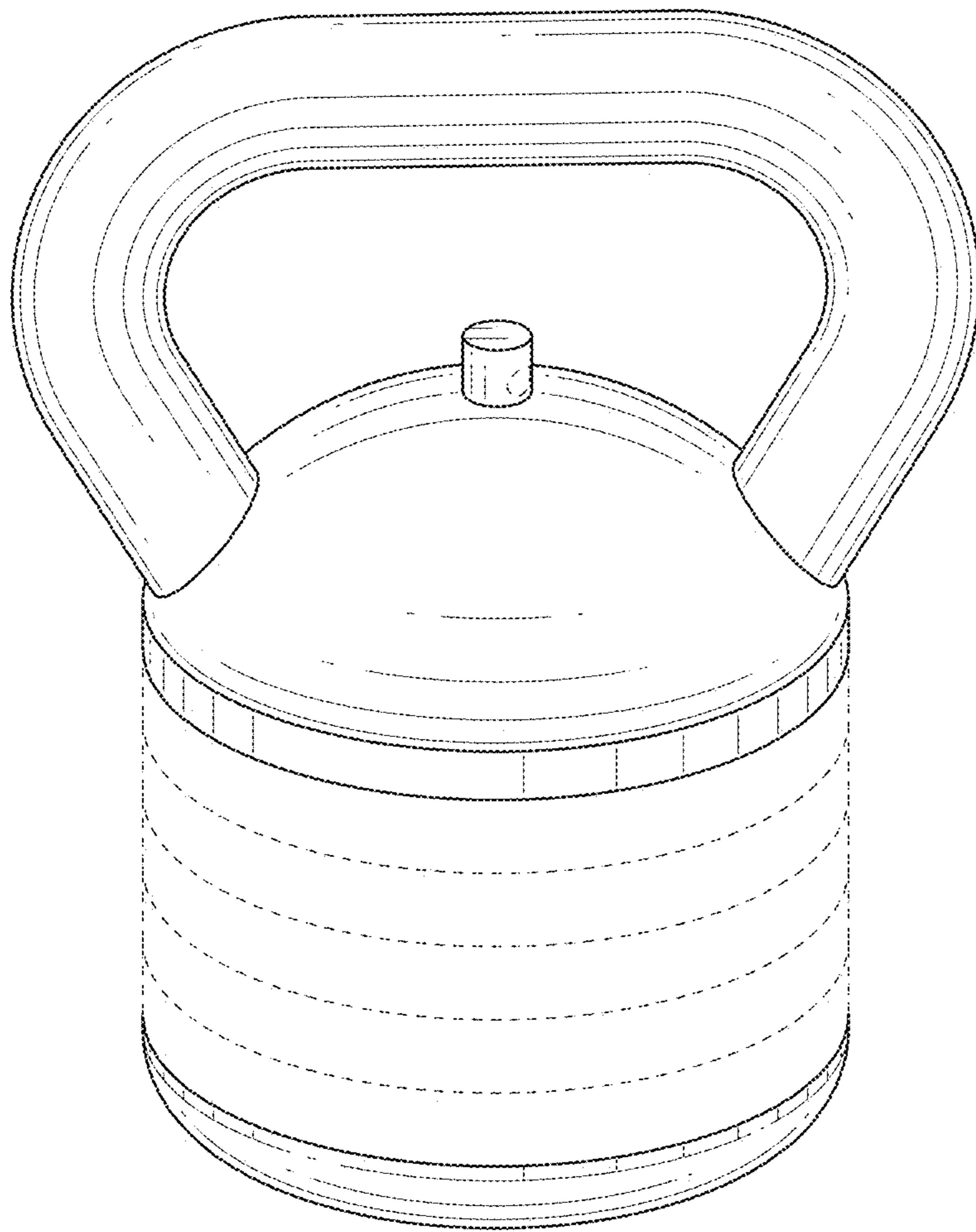


FIG. 24