



US00D977039S

(12) **United States Design Patent** (10) **Patent No.:** **US D977,039 S**
Hsu (45) **Date of Patent:** **** Jan. 31, 2023**

(54) **WATER-RESISTANCE ROWING MACHINE**

FOREIGN PATENT DOCUMENTS

(71) Applicant: **Kuan-Yung Hsu**, Taichung (TW)

KR 301174885 * 7/2022

(72) Inventor: **Kuan-Yung Hsu**, Taichung (TW)

OTHER PUBLICATIONS

(**) Term: **15 Years**

“Rowing Machine ” Apr. 14, 2018, Youtube, site visited Oct. 26, 2022: <https://www.youtube.com/watch?v=umGWGuvtO8M> (Year: 2018).*

(21) Appl. No.: **29/764,480**

“UPGO Rower Magnetic Rowing Machine” Sep. 13, 2022, Amazon, site visited Oct. 26, 2022: <https://amzn.to/3SzUhzn> (Year: 2022).*

(22) Filed: **Dec. 30, 2020**

(51) **LOC (14) Cl.** **21-02**

(52) **U.S. Cl.**
USPC **D21/674**

* cited by examiner

(58) **Field of Classification Search**

Primary Examiner — Jennifer L Rempfer

USPC D21/676, 674, 695, 666, 694, 686, 690,
D21/688, 662, 675, 679, 70, 73, 96, 71,
D21/9, 5, 142, 112, 140, 131, 57, 95, 53,
D21/98, 138

Assistant Examiner — Salamah Jordan

CPC A63B 23/0211; A63B 22/0076; A63B
21/068; A63B 2208/0233; A63B
2022/0079; A63B 21/225; A63B 22/0087;
A63B 21/153; A63B 21/00069; A63B
69/06

(74) *Attorney, Agent, or Firm* — Browdy and Neimark,
PLLC

See application file for complete search history.

(57) **CLAIM**

The ornamental design for a water-resistance rowing machine, as shown and described.

(56) **References Cited**

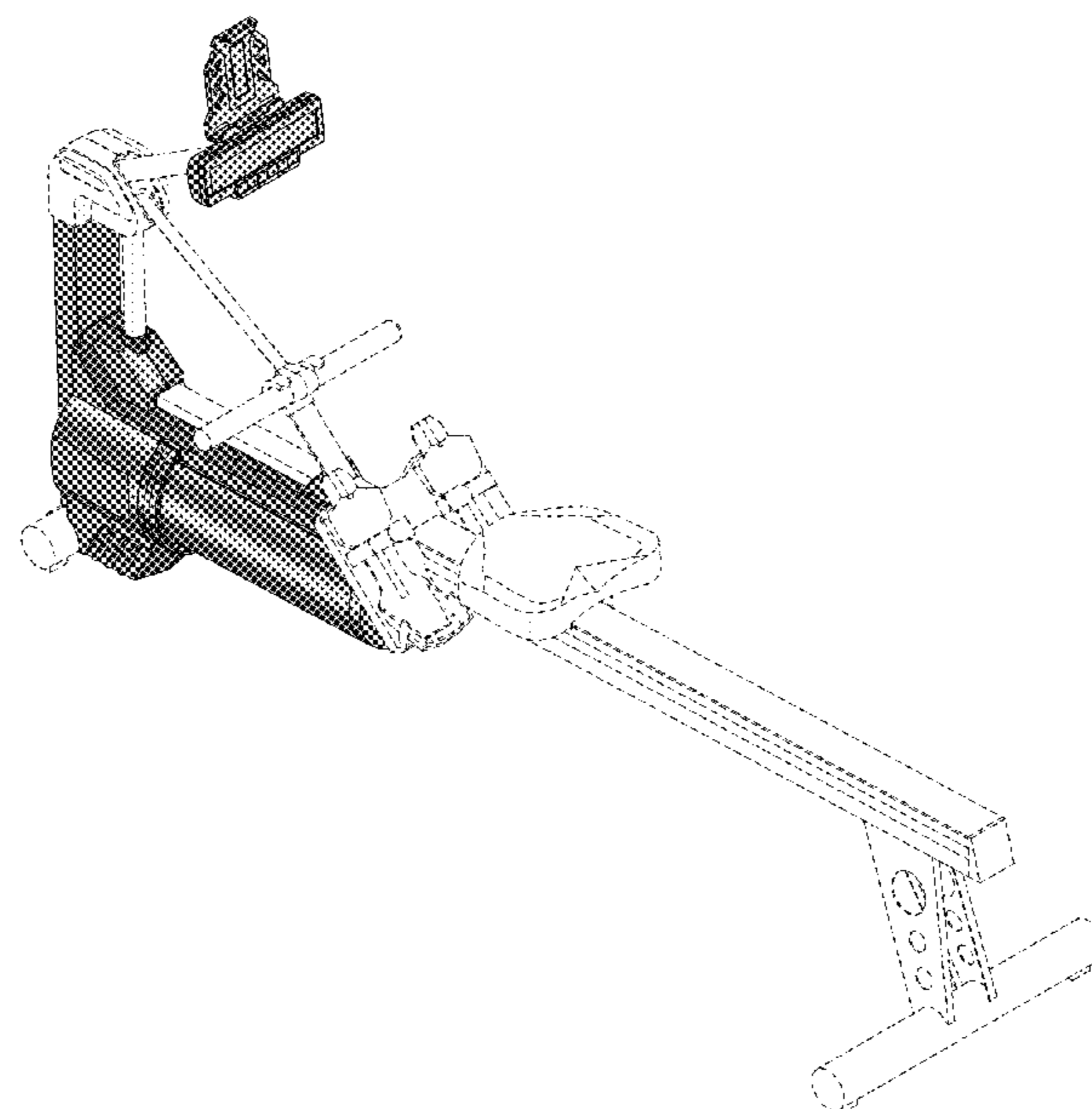
DESCRIPTION

U.S. PATENT DOCUMENTS

4,688,791	A *	8/1987	Long	A63B 22/0605
D414,519	S *	9/1999	Wang	D21/676
D861,805	S *	10/2019	Lisi	D21/674
10,486,016	B2 *	11/2019	Robert	A63B 21/153
D923,119	S *	6/2021	Hsieh	D21/674
D936,160	S *	11/2021	Blum	D21/674
2011/0028278	A1 *	2/2011	Roach	A63B 22/0076
2017/0209729	A1 *	7/2017	King	A63B 21/4045
2019/0118021	A1 *	4/2019	Liu	A63B 21/0084
2021/0101052	A1 *	4/2021	Gore	G06F 3/04847
2021/0170221	A1 *	6/2021	Hsu	A63B 22/0087
2022/0088435	A1 *	3/2022	Gatta	A63B 71/0622
2022/0203159	A1 *	6/2022	Sun	A63B 22/20

FIG. 1 is a perspective view of a water-resistance rowing machine, showing my new design;
FIG. 2 is another perspective view thereof;
FIG. 3 is still another perspective view thereof;
FIG. 4 is a front elevation view thereof;
FIG. 5 is a rear elevation view thereof;
FIG. 6 is a left side view thereof;
FIG. 7 is a right side view thereof;
FIG. 8 is a top plan view thereof; and,
FIG. 9 is a bottom plan view thereof.
The broken lines shown in the drawings depict portions of the article that form no part of the claimed design.

1 Claim, 9 Drawing Sheets



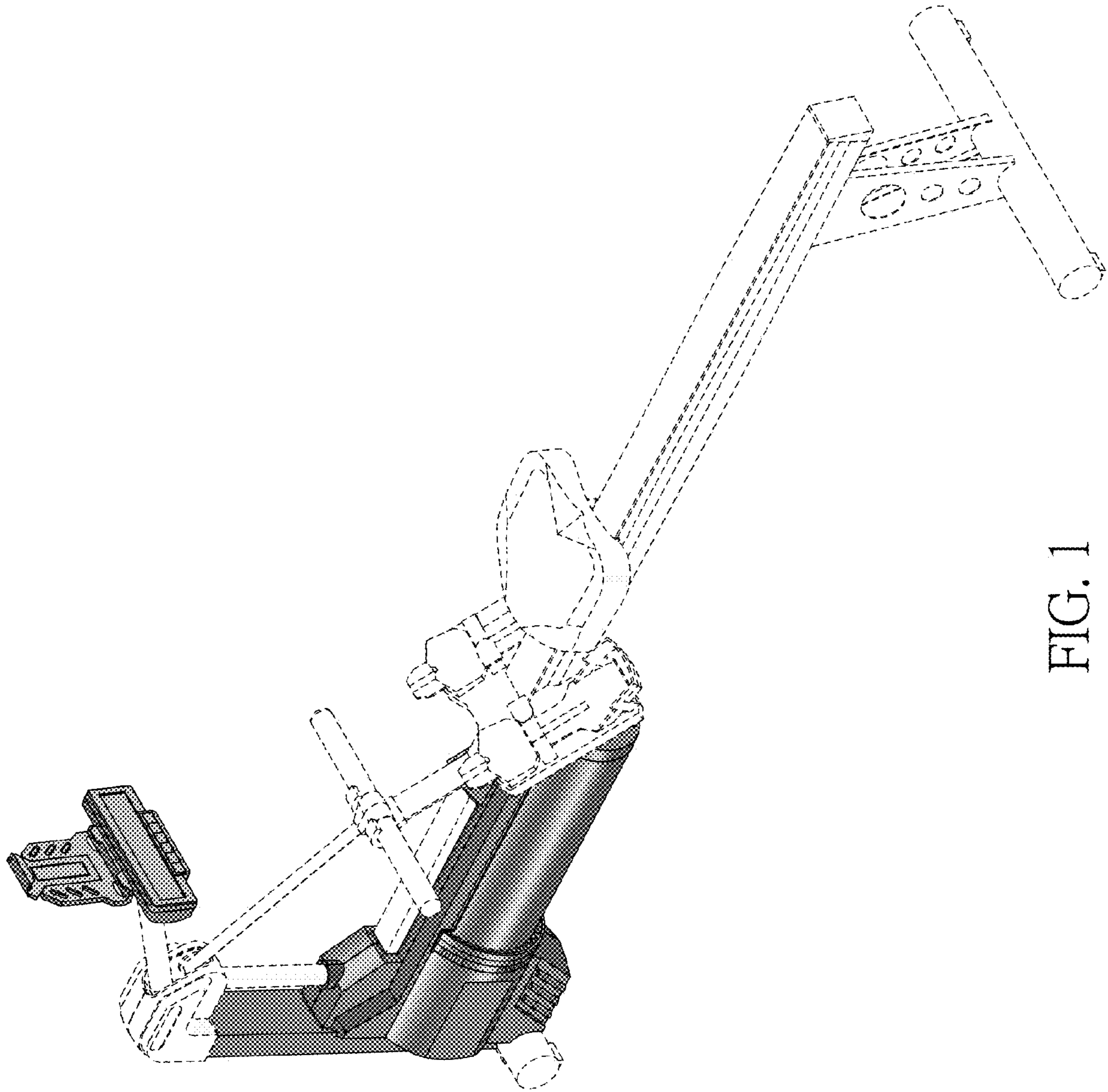


FIG. 1

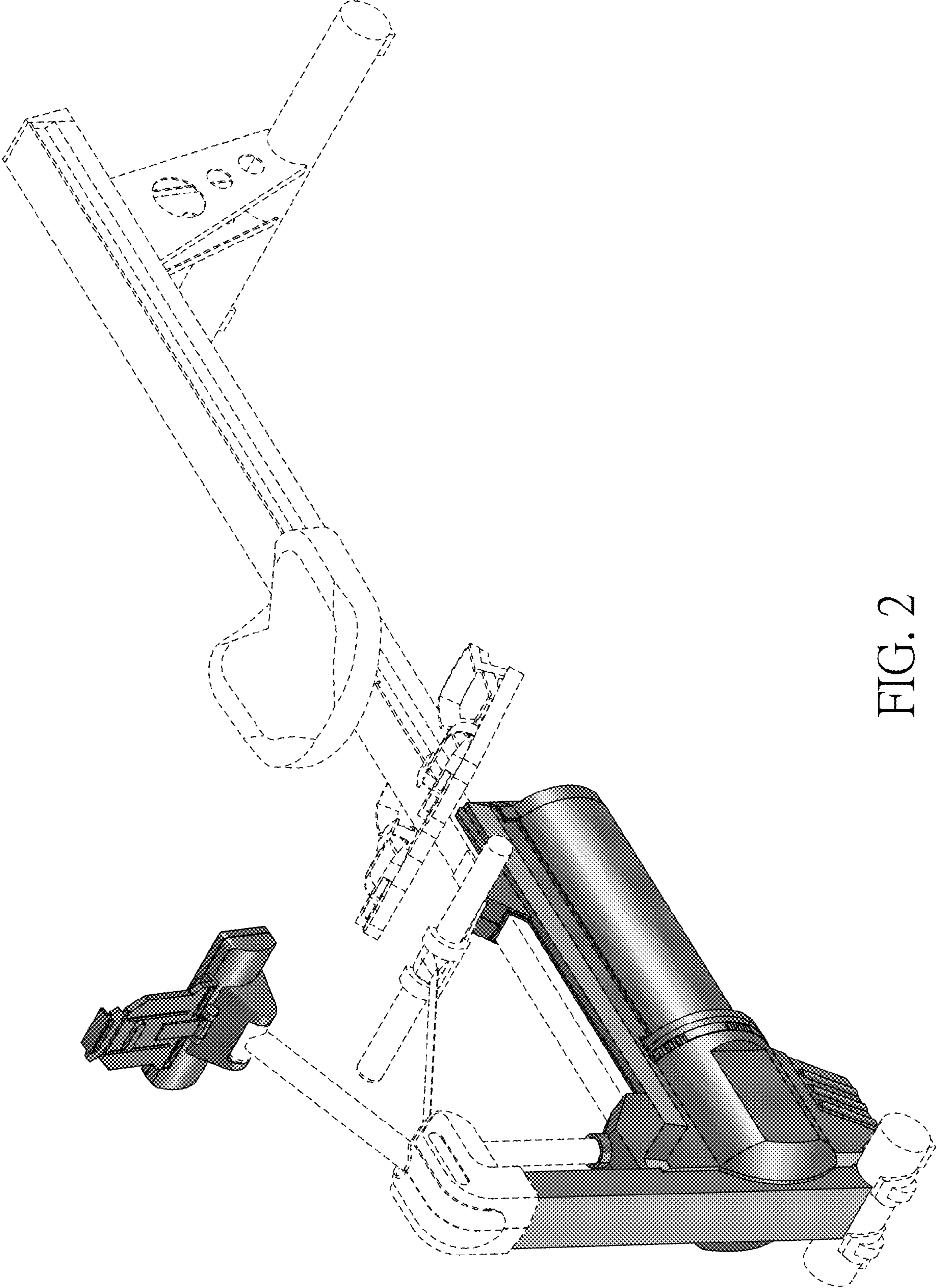


FIG. 2

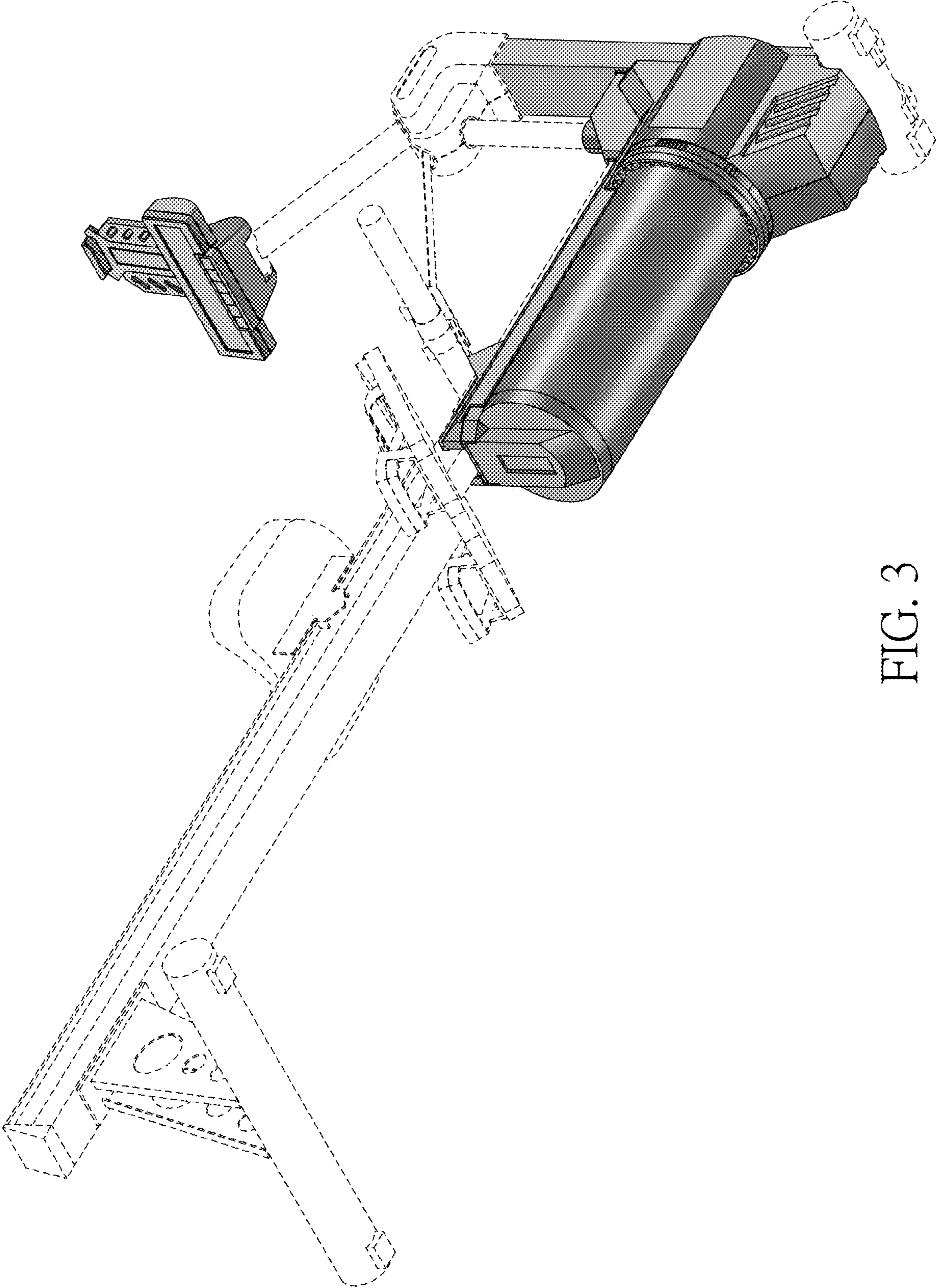


FIG. 3

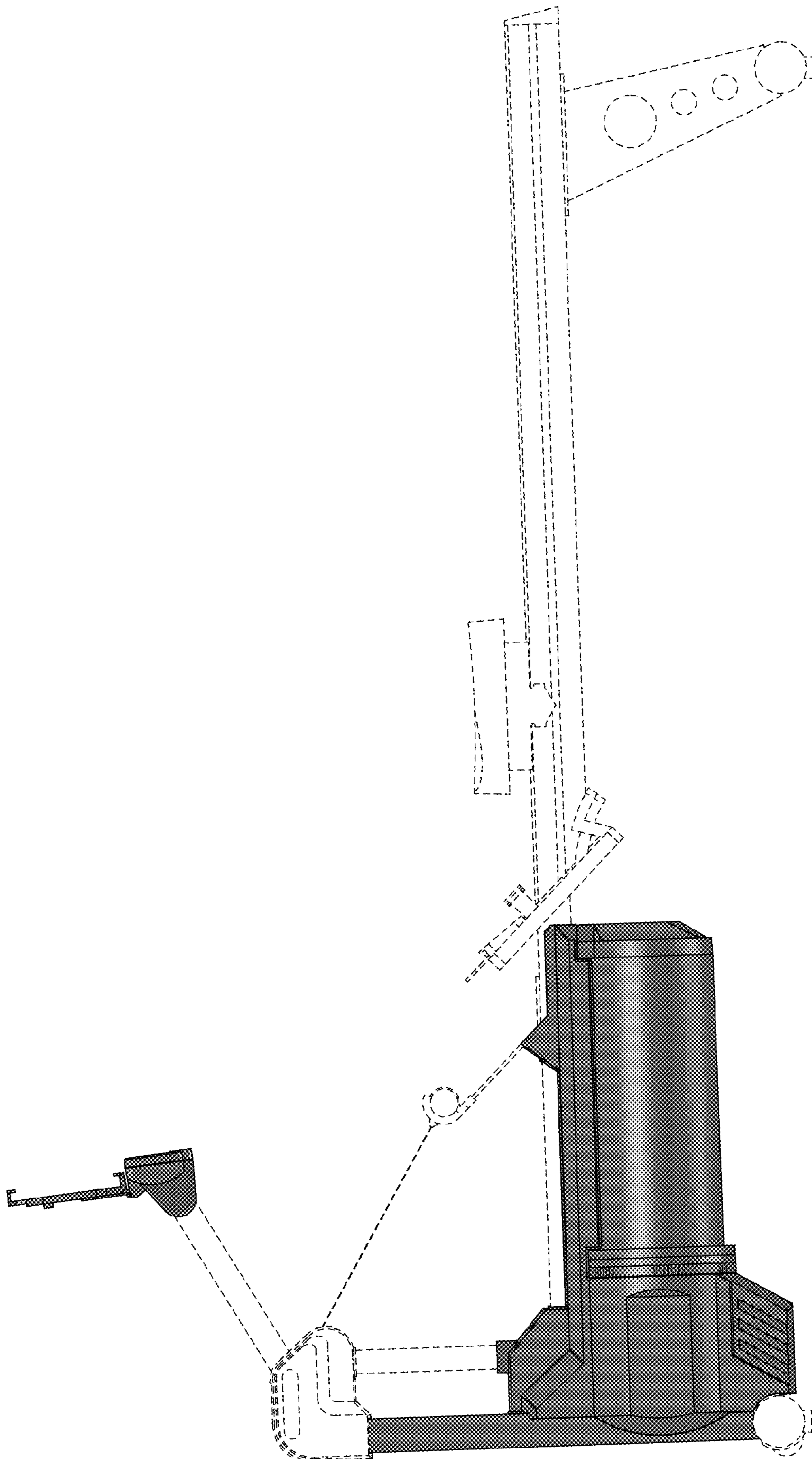


FIG. 4

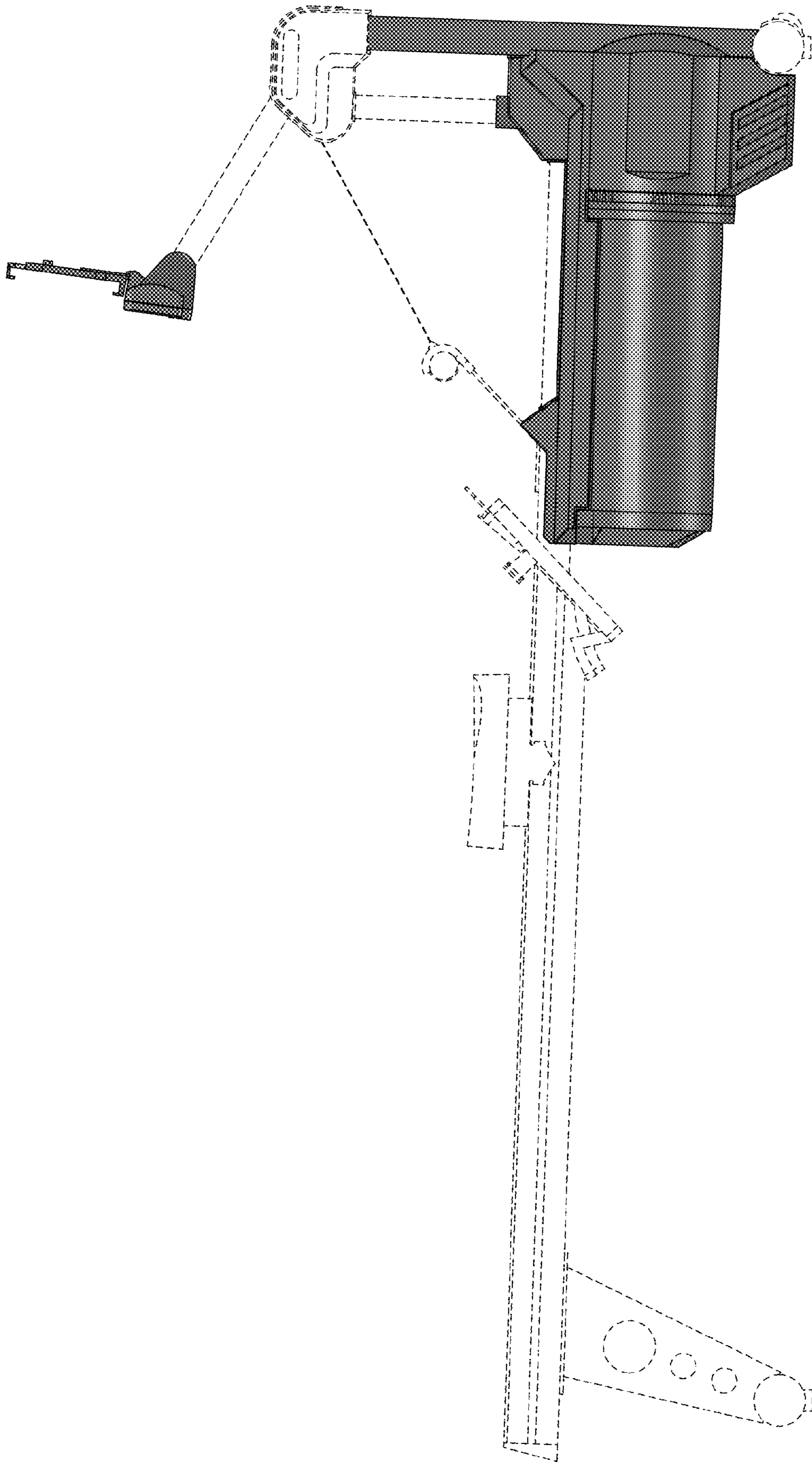


FIG. 5

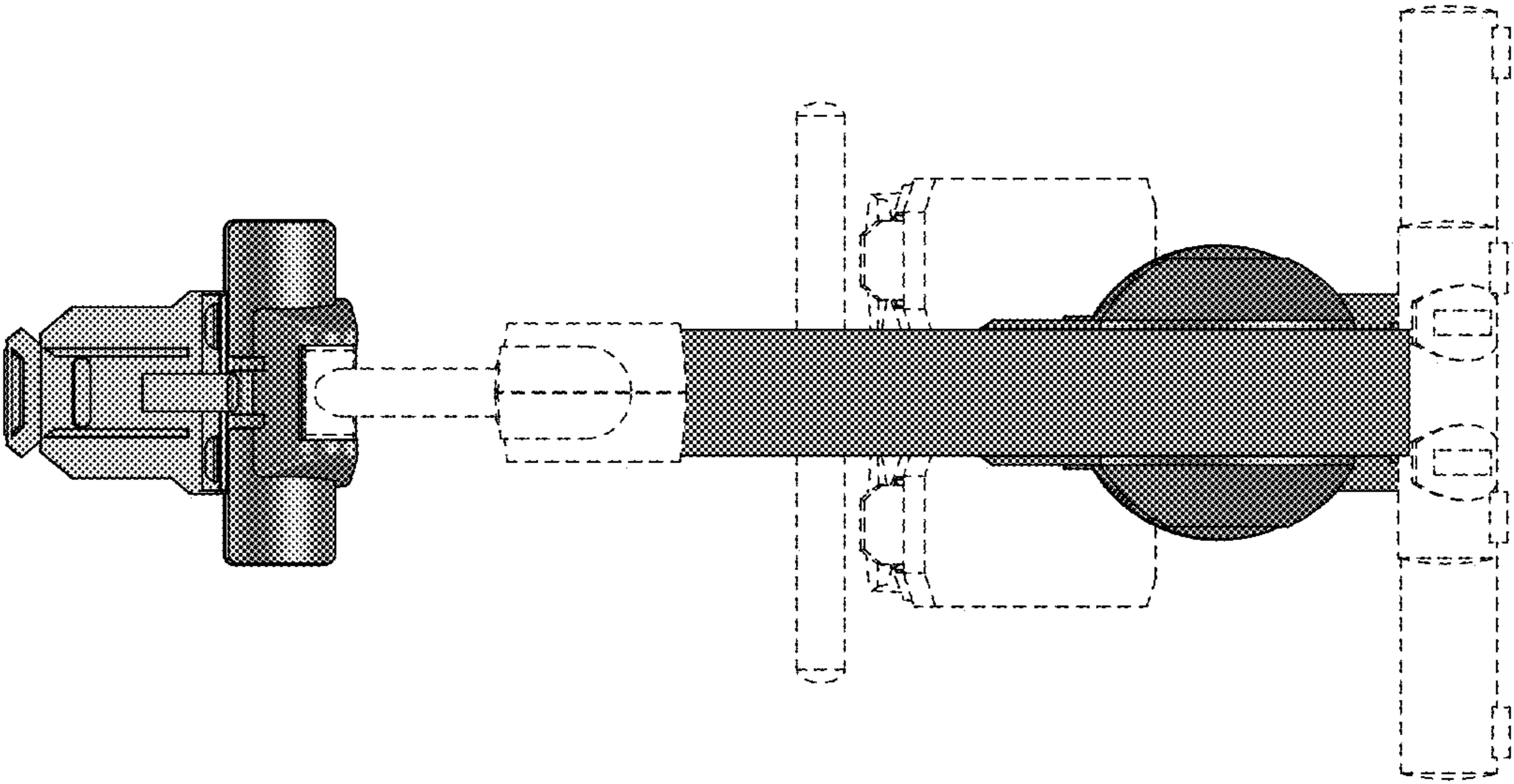


FIG. 6

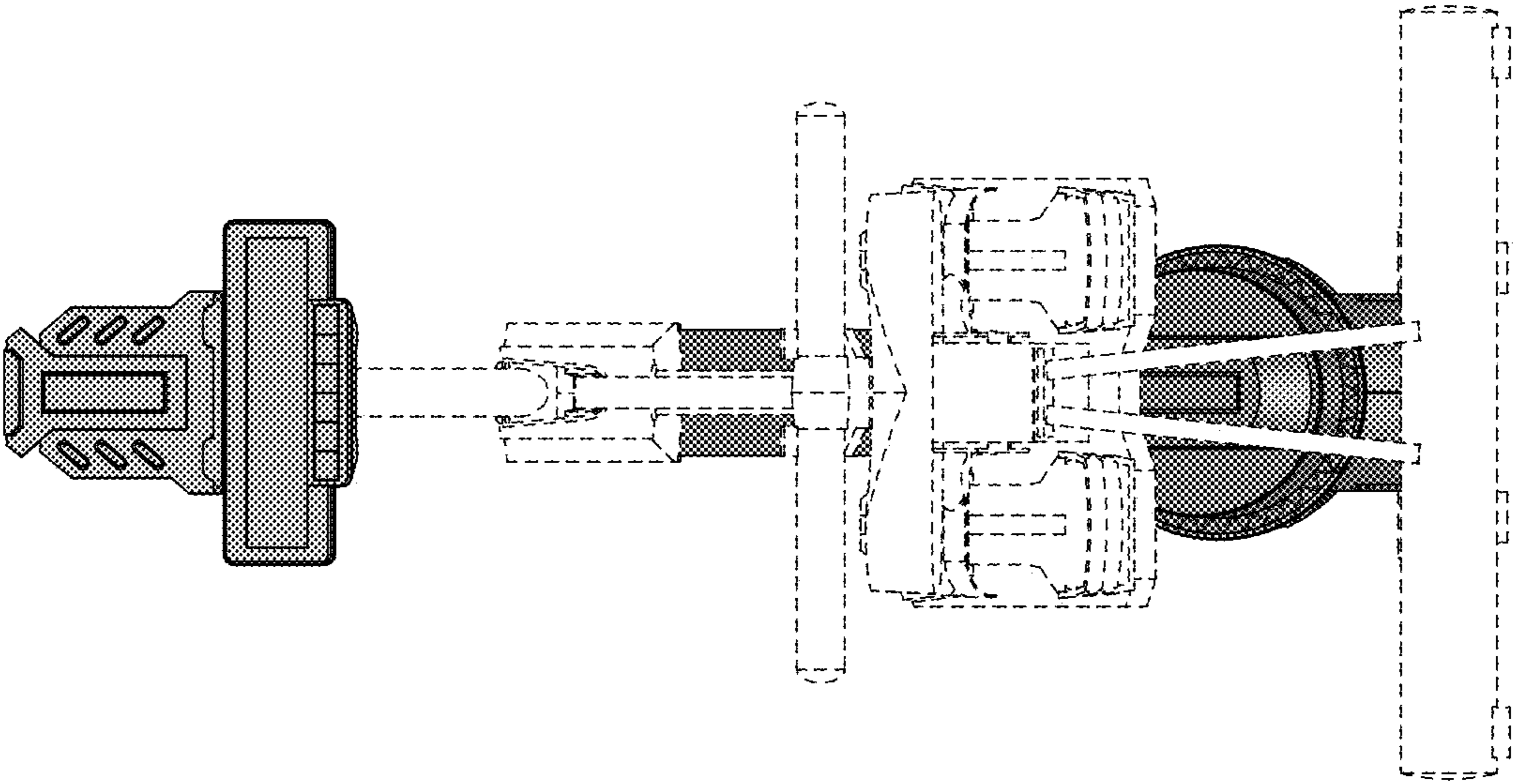


FIG. 7

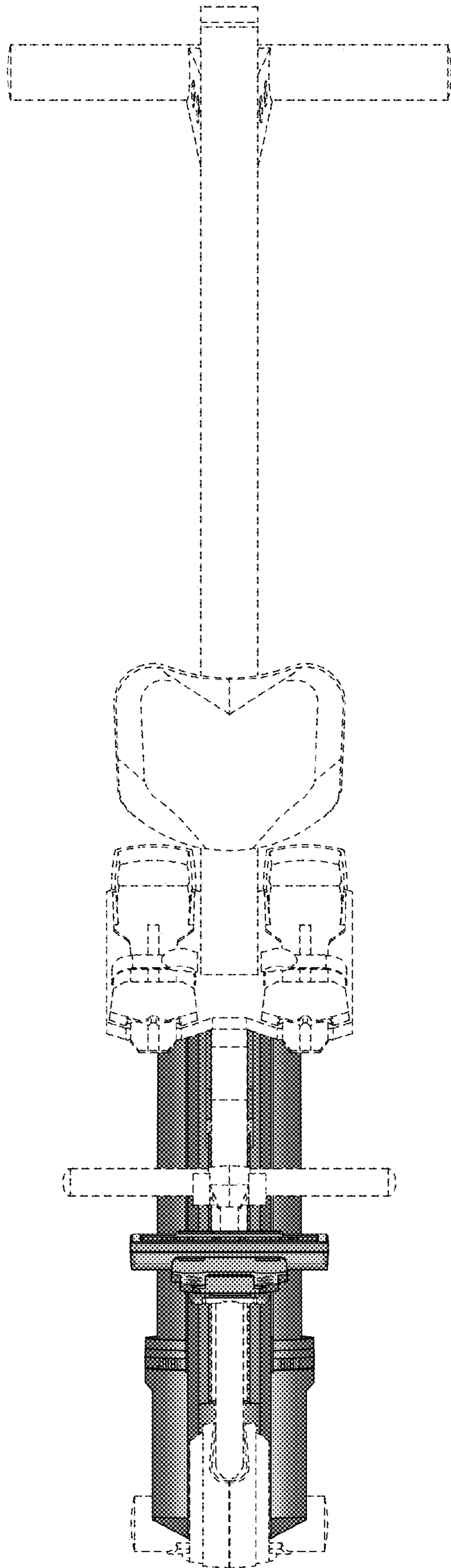


FIG. 8

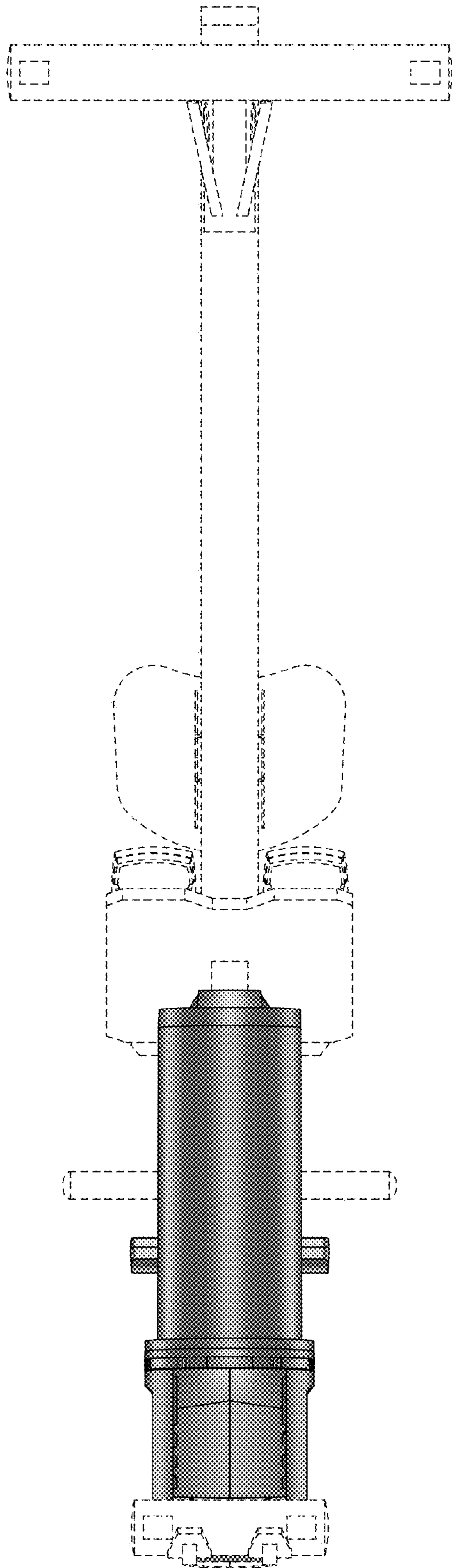


FIG. 9