



US00D977038S

(12) **United States Design Patent**
Horita et al.

(10) **Patent No.:** **US D977,038 S**
(45) **Date of Patent:** **** Jan. 31, 2023**

(54) **FITNESS EQUIPMENT UNIT**

(71) Applicant: **PELOTON INTERACTIVE, INC.**,
New York, NY (US)

(72) Inventors: **Sean K. Horita**, Woodinville, WA
(US); **Daniel H. Norberg**, Seattle, WA
(US); **Bradley J. Sliger**, Woodinville,
WA (US)

(73) Assignee: **Peloton Interactive, Inc.**, New York,
NY (US)

(**) Term: **15 Years**

(21) Appl. No.: **29/766,706**

(22) Filed: **Jan. 18, 2021**

(51) **LOC (14) Cl.** **21-02**

(52) **U.S. Cl.**
USPC **D21/670**

(58) **Field of Classification Search**
USPC D21/663, 666, 668, 669, 670
CPC A63B 2230/06; A63B 2230/75; A63B
22/0017; A63B 22/02; A63B 23/04
See application file for complete search history.

(56) **References Cited**

U.S. PATENT DOCUMENTS

D343,879 S *	2/1994	Koga	D21/670
D690,375 S *	9/2013	Horita	D21/668
D749,683 S *	2/2016	Staal	D21/671
D820,922 S *	6/2018	Saragoni	D21/670
D927,616 S *	8/2021	Horita	D21/696
D928,257 S *	8/2021	Horita	D21/696
2012/0238409 A1 *	9/2012	Halsey	A63B 21/0053
2015/0190670 A1 *	7/2015	Strommen	A63B 21/0057
2019/0022455 A1 *	1/2019	Kueker	A63B 21/0058
2022/0023708 A1 *	1/2022	Marjama	A63B 21/00069

OTHER PUBLICATIONS

“StairMaster 10 Series” Nov. 23, 2019, Amazon, site visited May 12, 2022: <https://amzn.to/3157odC> (Year: 2019).*

“StairMaster 8 Series Guantlet” Aug. 12, 2020, Fitness Superstore, site visited May 12, 2022: <https://www.fitnesssuperstore.com/Stairmaster-8-Series-Guantlet-15-Touch-Screen-p/smgauntlet8sx.htm> (Year: 2020).*

(Continued)

Primary Examiner — Jack Reickel

Assistant Examiner — Salamah Jordan

(74) *Attorney, Agent, or Firm* — Haynes and Boone, LLP

(57) **CLAIM**

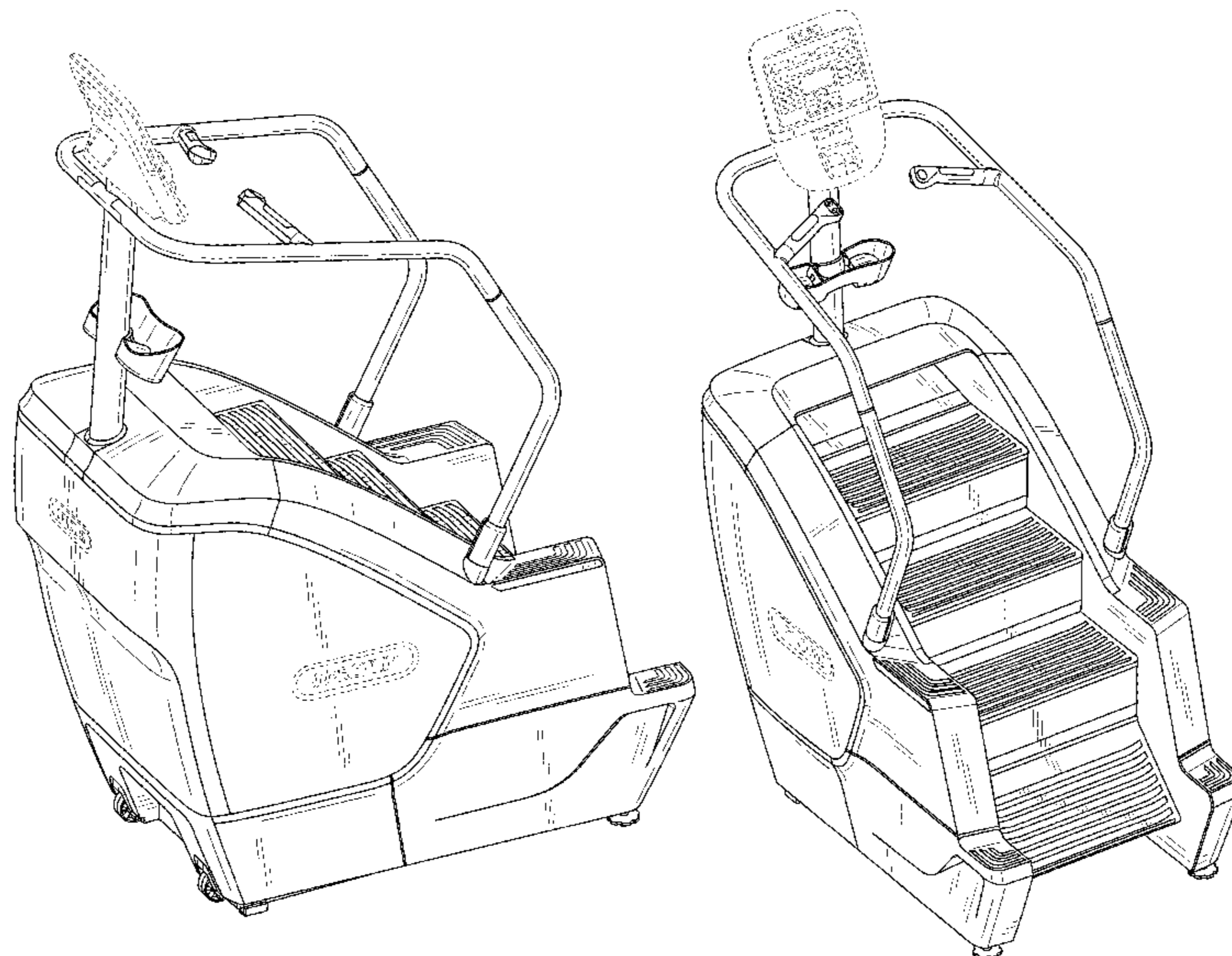
We claim the ornamental design for a fitness equipment unit, as shown and described.

DESCRIPTION

FIG. 1 is a rear, side perspective view of a fitness equipment unit;
FIG. 2 is a front, top perspective view of the fitness equipment unit of FIG. 1;
FIG. 3 is a rear view of the fitness equipment unit of FIG. 1;
FIG. 4 is a front view of the fitness equipment unit of FIG. 1;
FIG. 5 is a first side view of the fitness equipment unit of FIG. 1;
FIG. 6 is a second side view of the fitness equipment unit of FIG. 1;
FIG. 7 is a top view of the fitness equipment unit of FIG. 1;
and,
FIG. 8 is a bottom view of the fitness equipment unit of FIG. 1.

The ornamental design that is claimed is shown in solid lines in the drawings. The broken (dashed) lines shown in the figures are included for the purpose of illustrating environmental elements only and form no part of the claimed design.

1 Claim, 8 Drawing Sheets



(56)

References Cited

OTHER PUBLICATIONS

“Behind the Scenes—True Palisade Climber” May 31, 2019, YouTube, site visited May 17, 2022: <https://youtu.be/LWCVUKaEwOk> (Year: 2019).*

“Comparing the StairMaster SM3 and Gauntlet StepMills ” Mar. 30, 2015, Youtube, site visited Sep. 28, 2022: <https://www.youtube.com/watch?v=MmfM3zj3FOIhttps://amzn.to/3l57odC> (Year: 2015).*

“Nautilus Stairmaster Stepmill for sale” Dec. 4, 2013, Youtube, site visited Sep. 28, 2022: https://www.youtube.com/watch?v=mpgSz6_NH-0 (Year: 2013).*

* cited by examiner

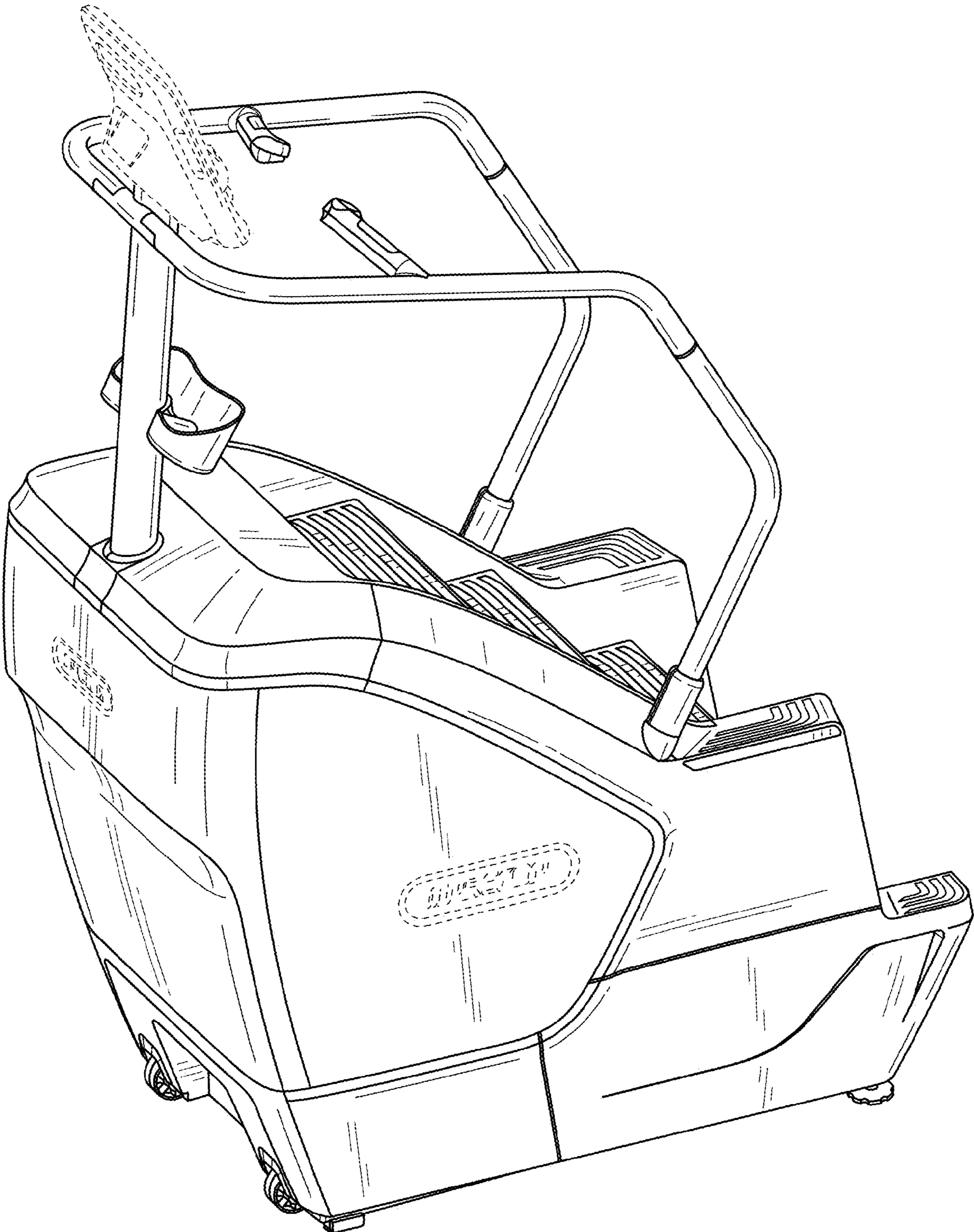


FIG. 1

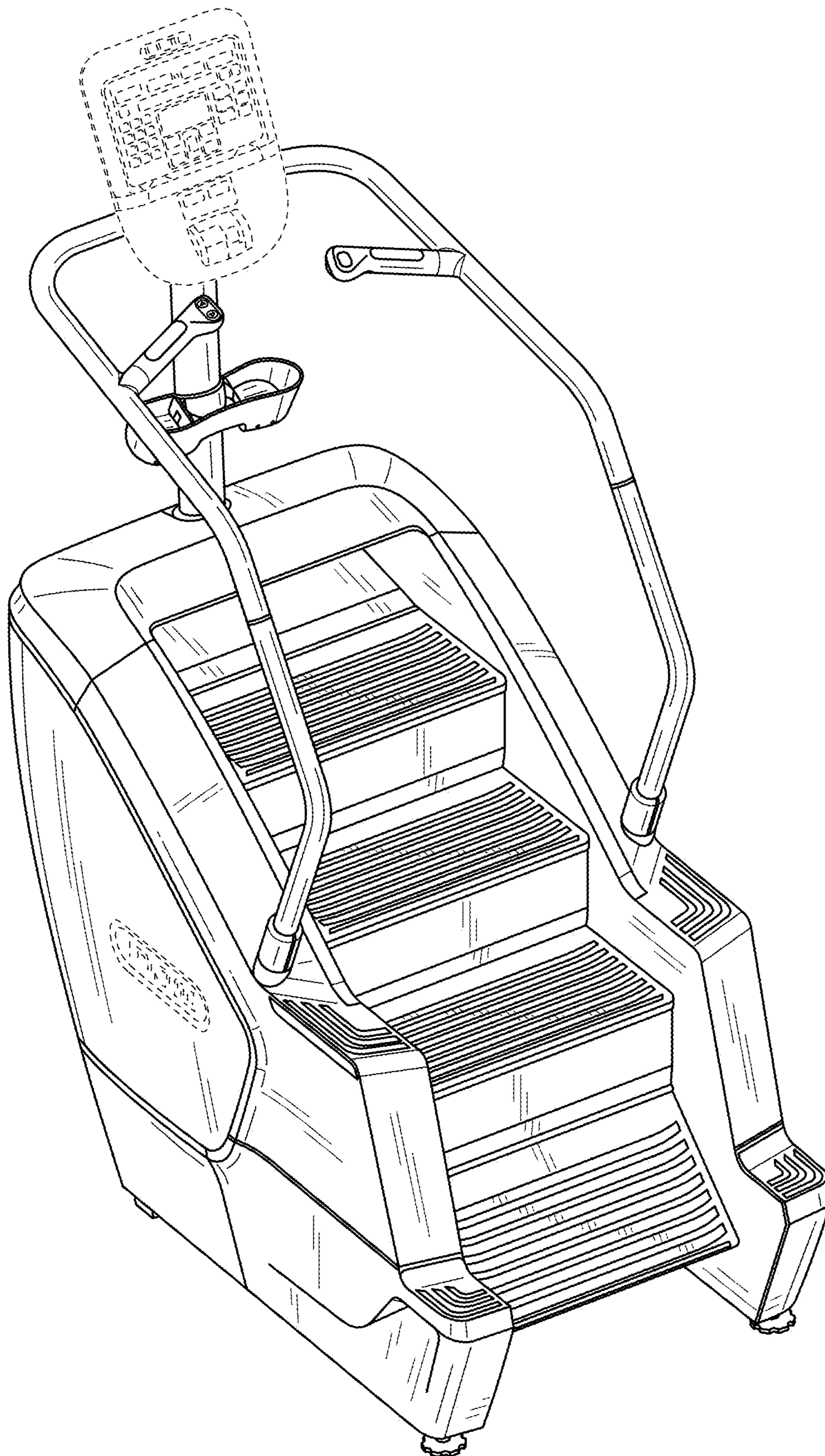


FIG. 2

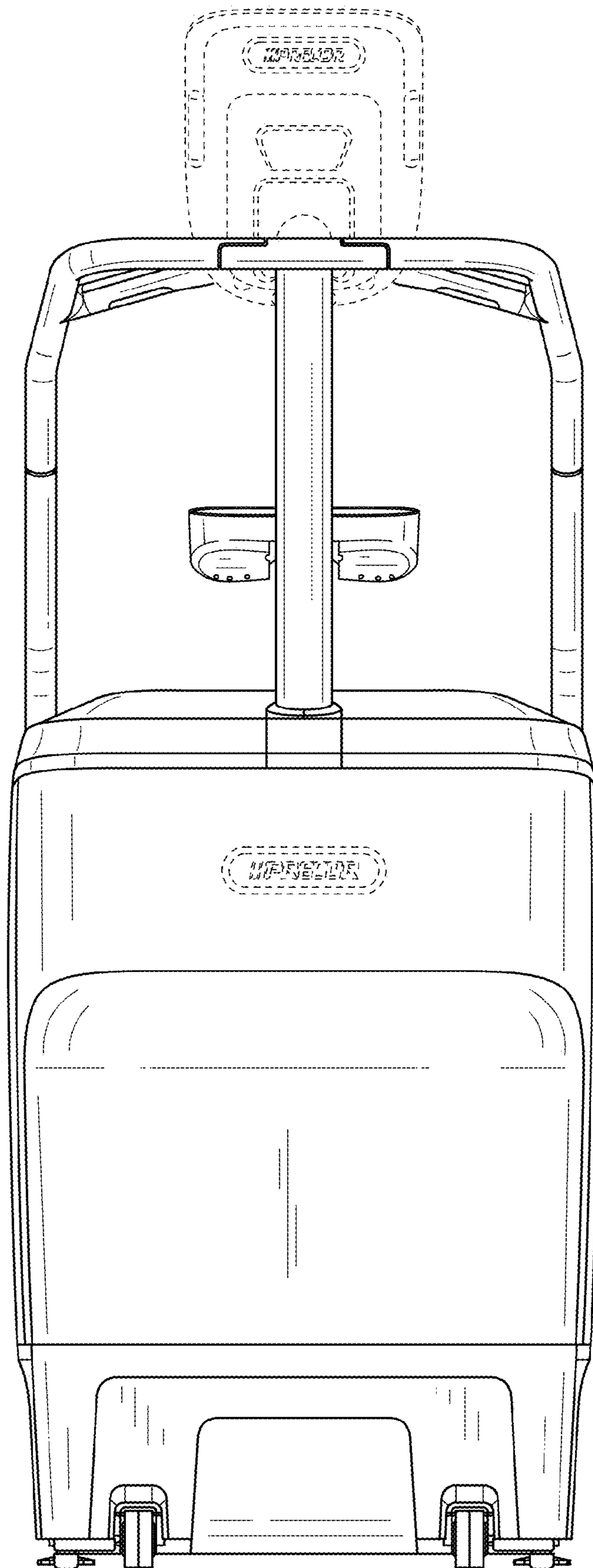


FIG. 3

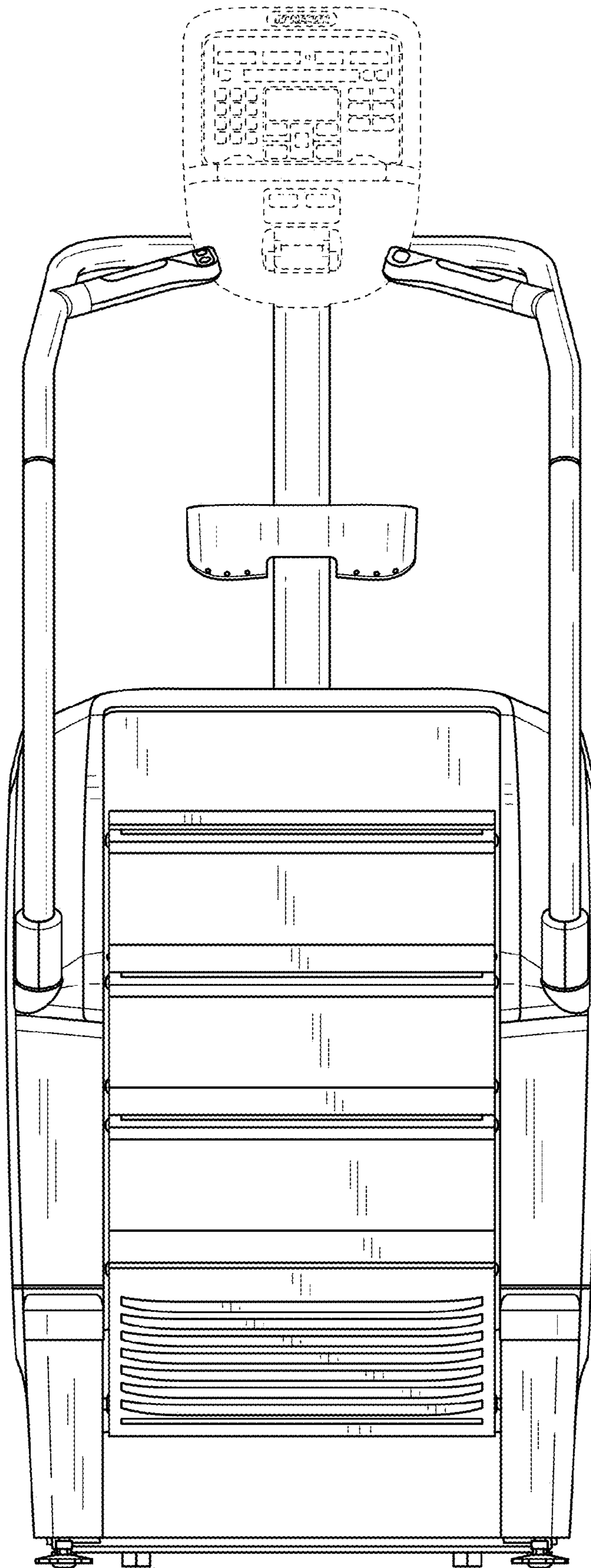


FIG. 4

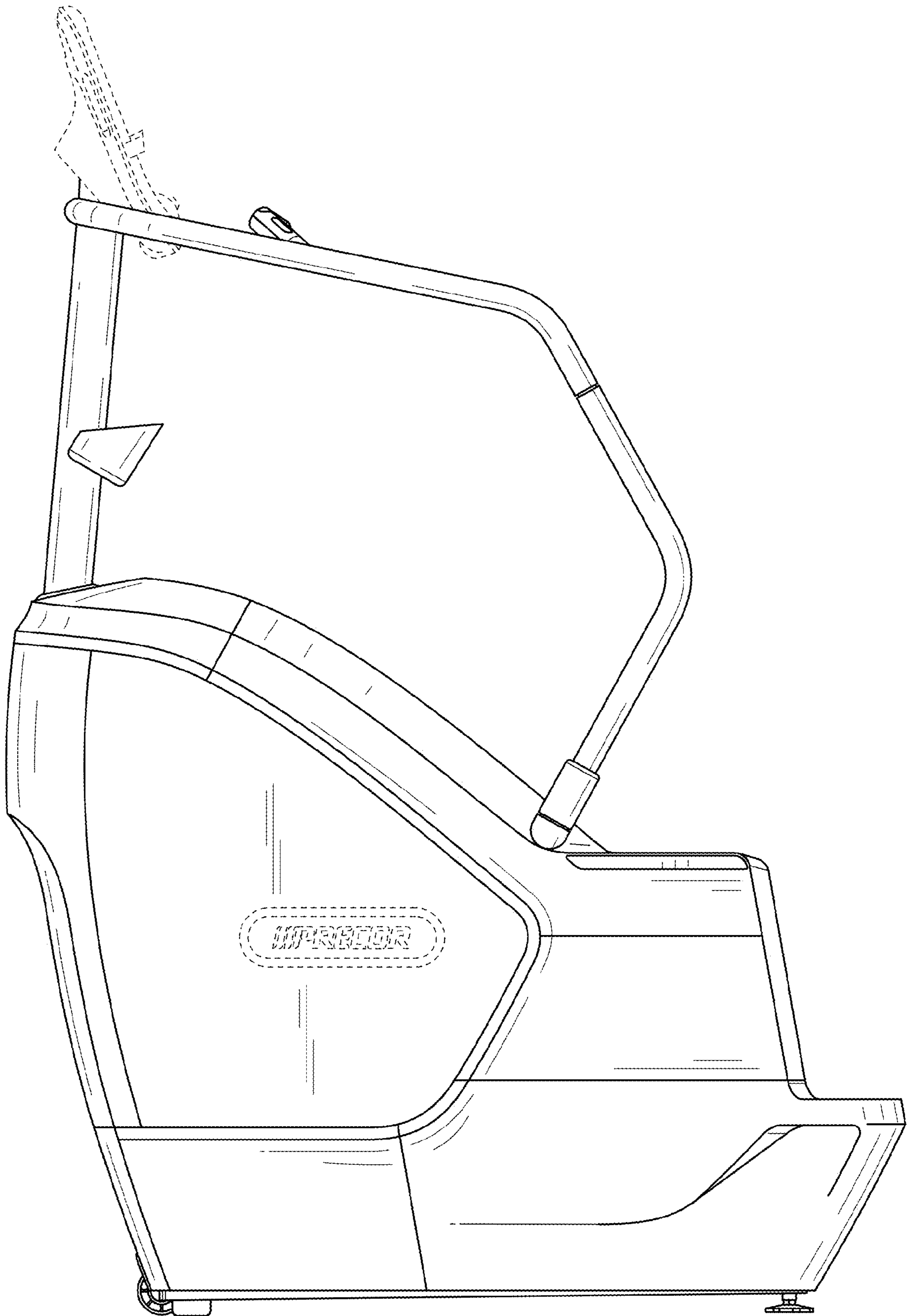


FIG. 5

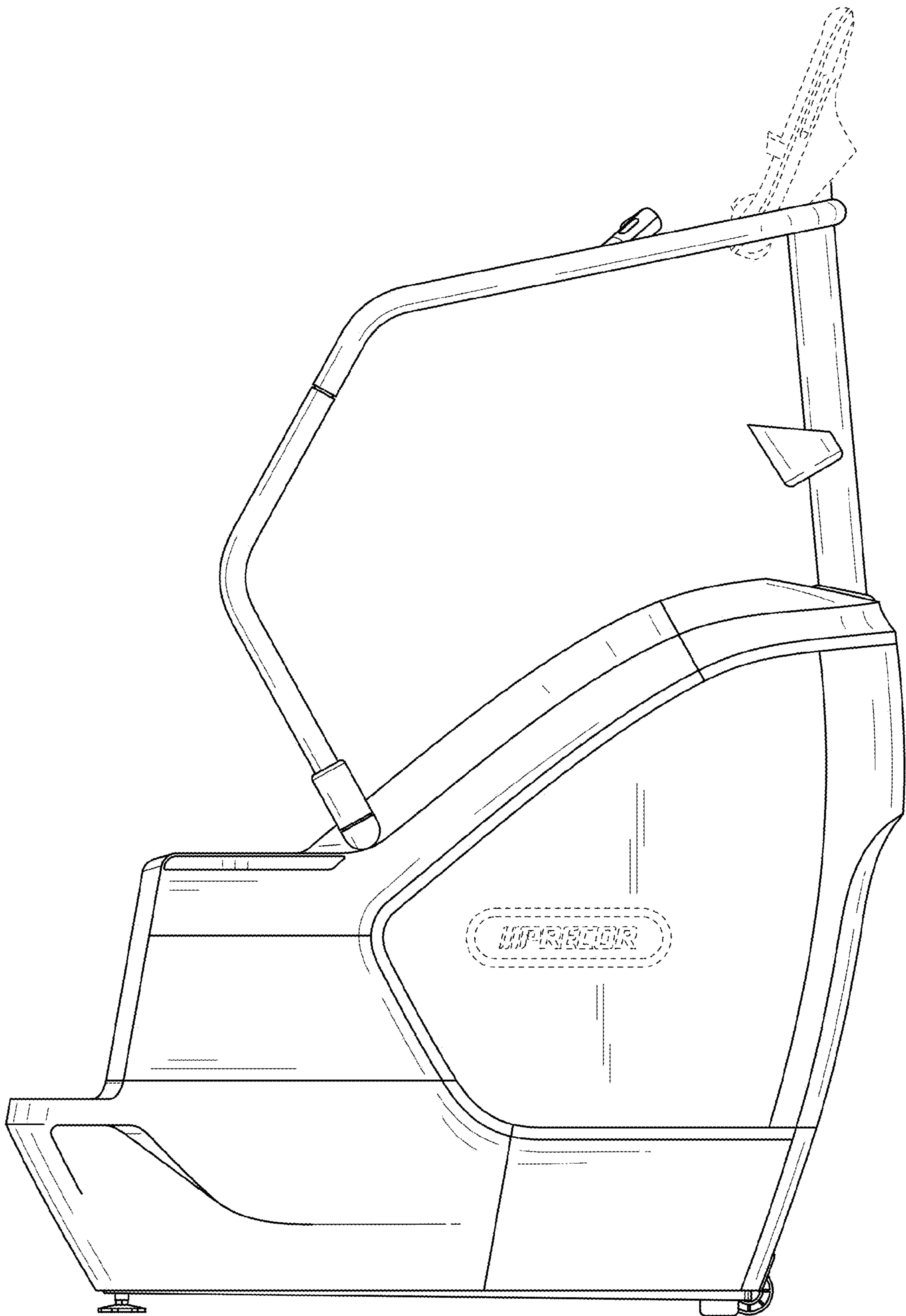


FIG. 6

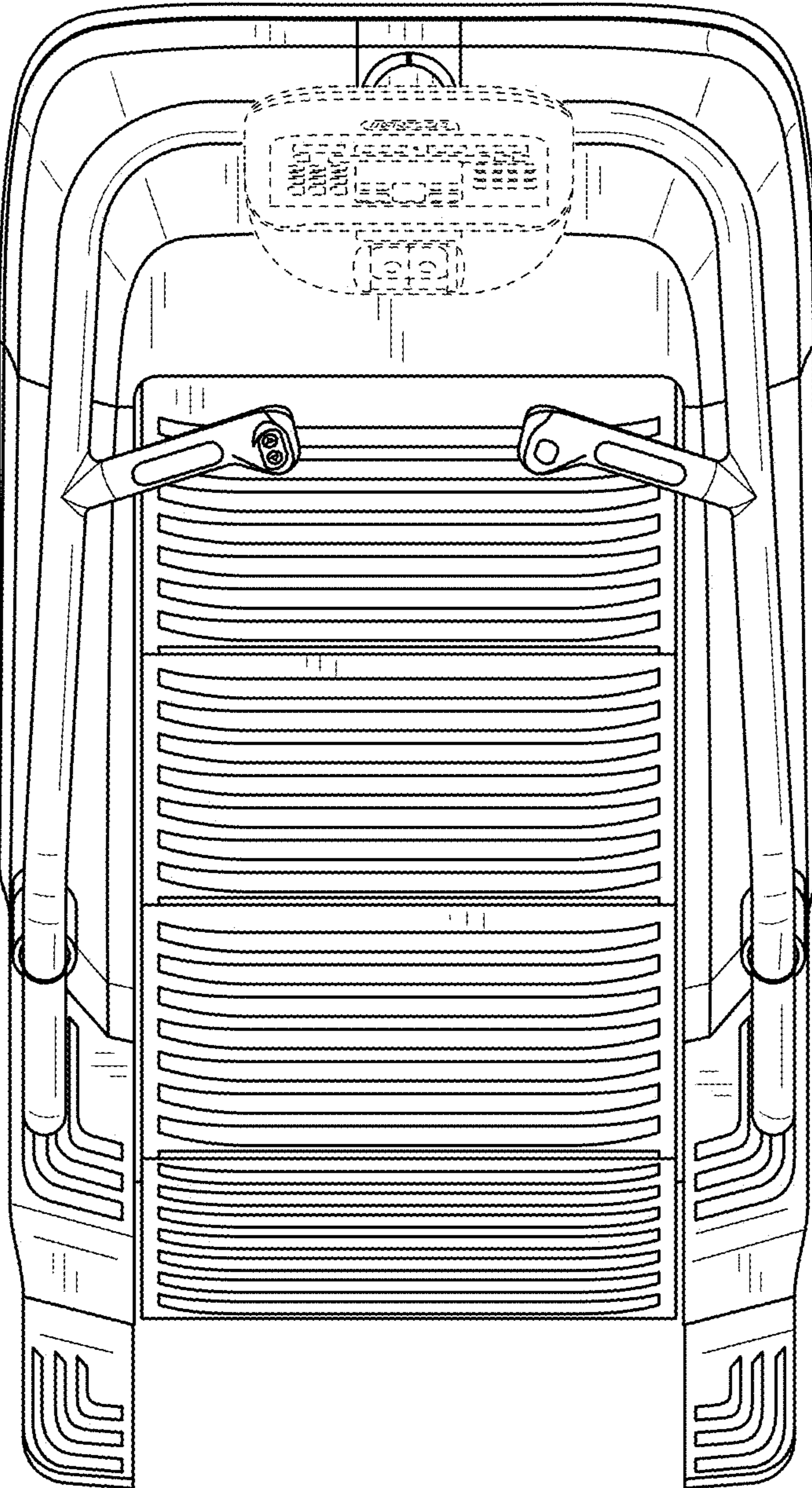


FIG. 7

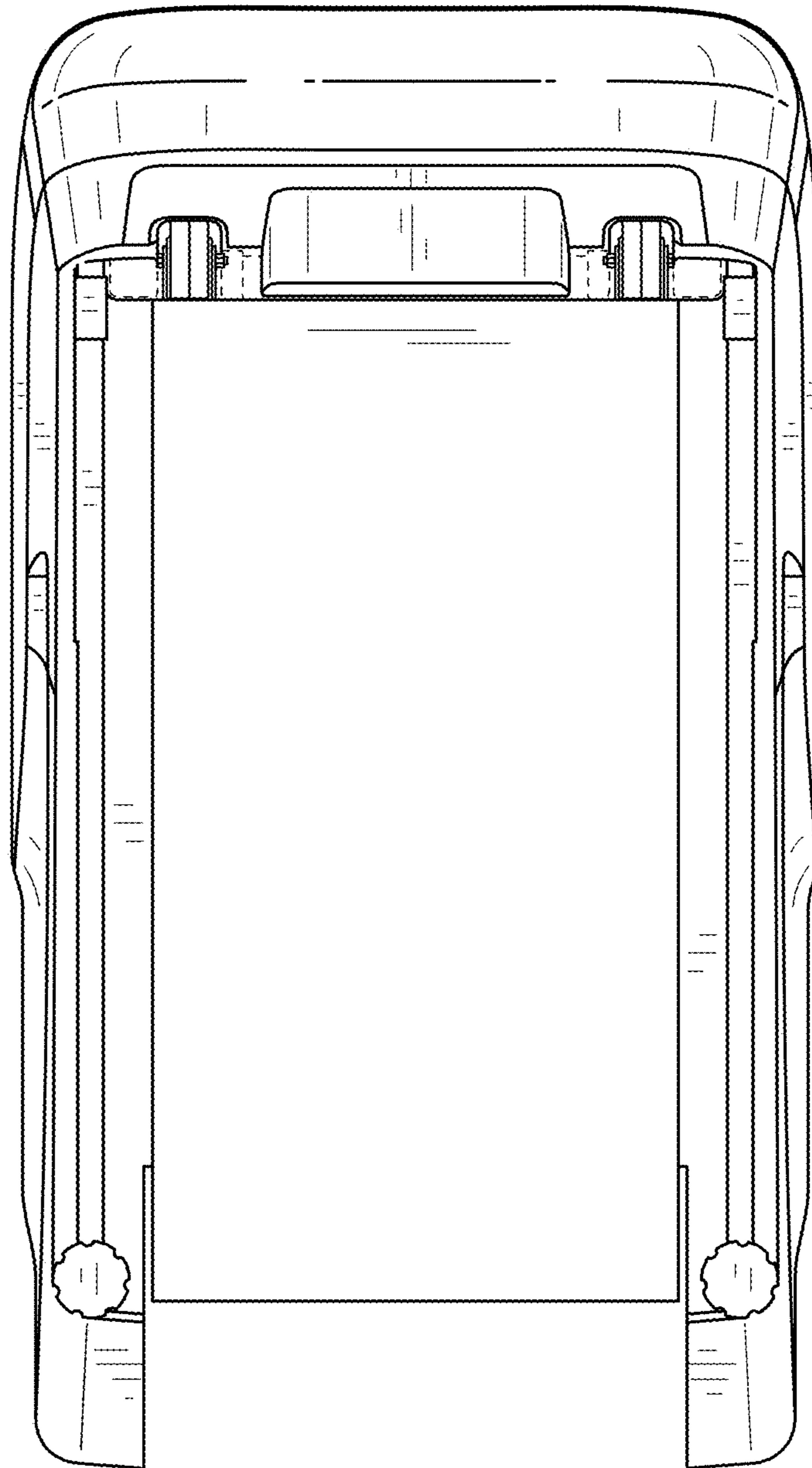


FIG. 8