



US00D977037S

(12) **United States Design Patent**  
**Lin**

(10) **Patent No.:** **US D977,037 S**  
(45) **Date of Patent:** **\*\* Jan. 31, 2023**

(54) **WATER GUN**

(71) Applicant: **Ruiqiang Lin**, Shantou (CN)

(72) Inventor: **Ruiqiang Lin**, Shantou (CN)

(\*\*) Term: **15 Years**

(21) Appl. No.: **29/866,723**

(22) Filed: **Sep. 26, 2022**

(51) **LOC (14) Cl.** ..... **21-01**

(52) **U.S. Cl.**  
USPC ..... **D21/572**

(58) **Field of Classification Search**  
USPC ..... D21/572, 573, 574, 575; D22/103, 104,  
D22/100, 101  
See application file for complete search history.

(56) **References Cited**

**U.S. PATENT DOCUMENTS**

2,962,837	A *	12/1960	Lemelson	.....	A63H 5/04 124/31
D369,639	S *	5/1996	Predazzer	.....	D22/100
D372,067	S *	7/1996	Predazzer	.....	D22/100
D559,334	S *	1/2008	Liao	.....	D21/573
D826,232	S *	8/2018	Waldman	.....	D21/574
D847,137	S *	4/2019	Monti	.....	D21/333
D903,789	S	12/2020	Zheng		
D944,336	S	2/2022	Ren		
D949,983	S	4/2022	Walter		
D958,262	S *	7/2022	Chen	.....	D21/572
2009/0197506	A1 *	8/2009	Ma	.....	A63H 33/009 446/473

**OTHER PUBLICATIONS**

Spyra, announced 2021 [online], [site visited Nov. 10, 2022]. Available on internet, URL:https://www.amazon.com/SPYRA-Worlds-Strongest-SpyraTwo-Single/dp/B09GYS98V5 (Year: 2021).\*

\* cited by examiner

*Primary Examiner* — Khawaja Anwar

*Assistant Examiner* — Julice Seung Eun Oum

(74) *Attorney, Agent, or Firm* — True Shepherd LLC;  
Andrew C. Cheng

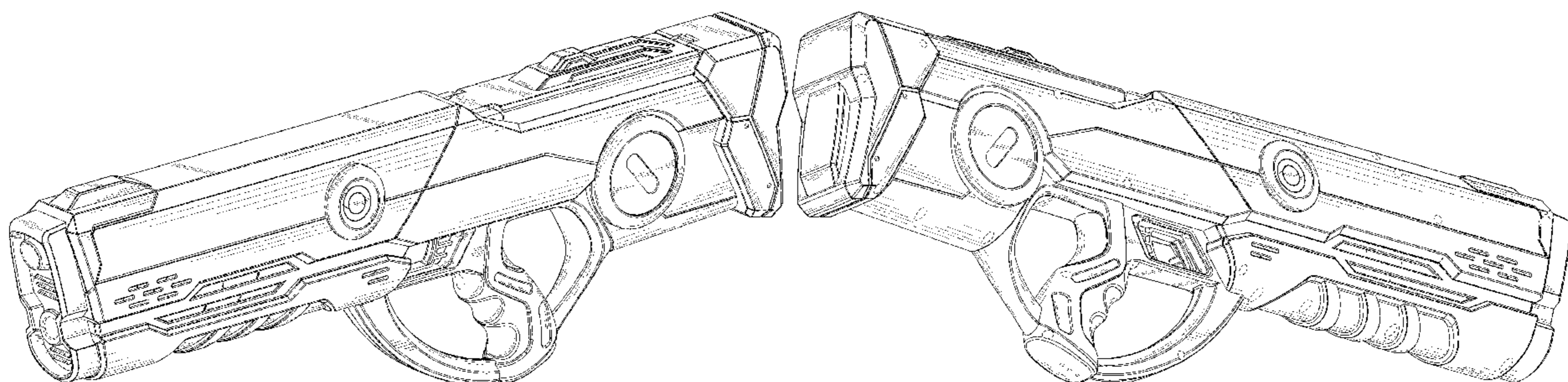
(57) **CLAIM**

The ornamental design for a water gun, as shown and described.

**DESCRIPTION**

FIG. 1 is a perspective view of a water gun showing my new design according to a first embodiment;  
FIG. 2 is another perspective view thereof;  
FIG. 3 is a front view thereof;  
FIG. 4 is a rear view thereof;  
FIG. 5 is a left side view thereof;  
FIG. 6 is a right side view thereof;  
FIG. 7 is a top plan view thereof; and,  
FIG. 8 is a bottom plan view thereof.  
The broken lines depict portions of the water gun and form no part of the claimed design.

**1 Claim, 8 Drawing Sheets**



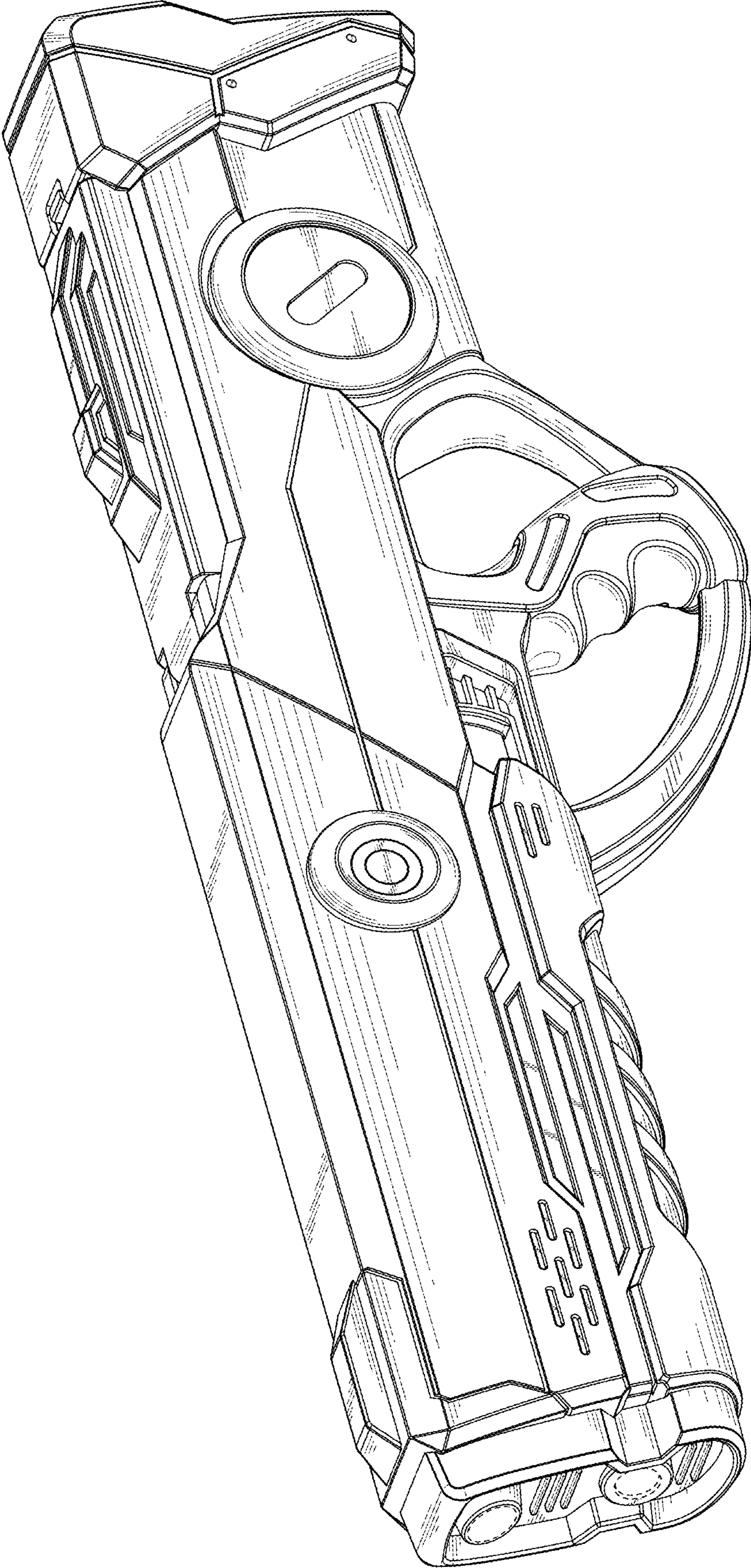


FIG. 1

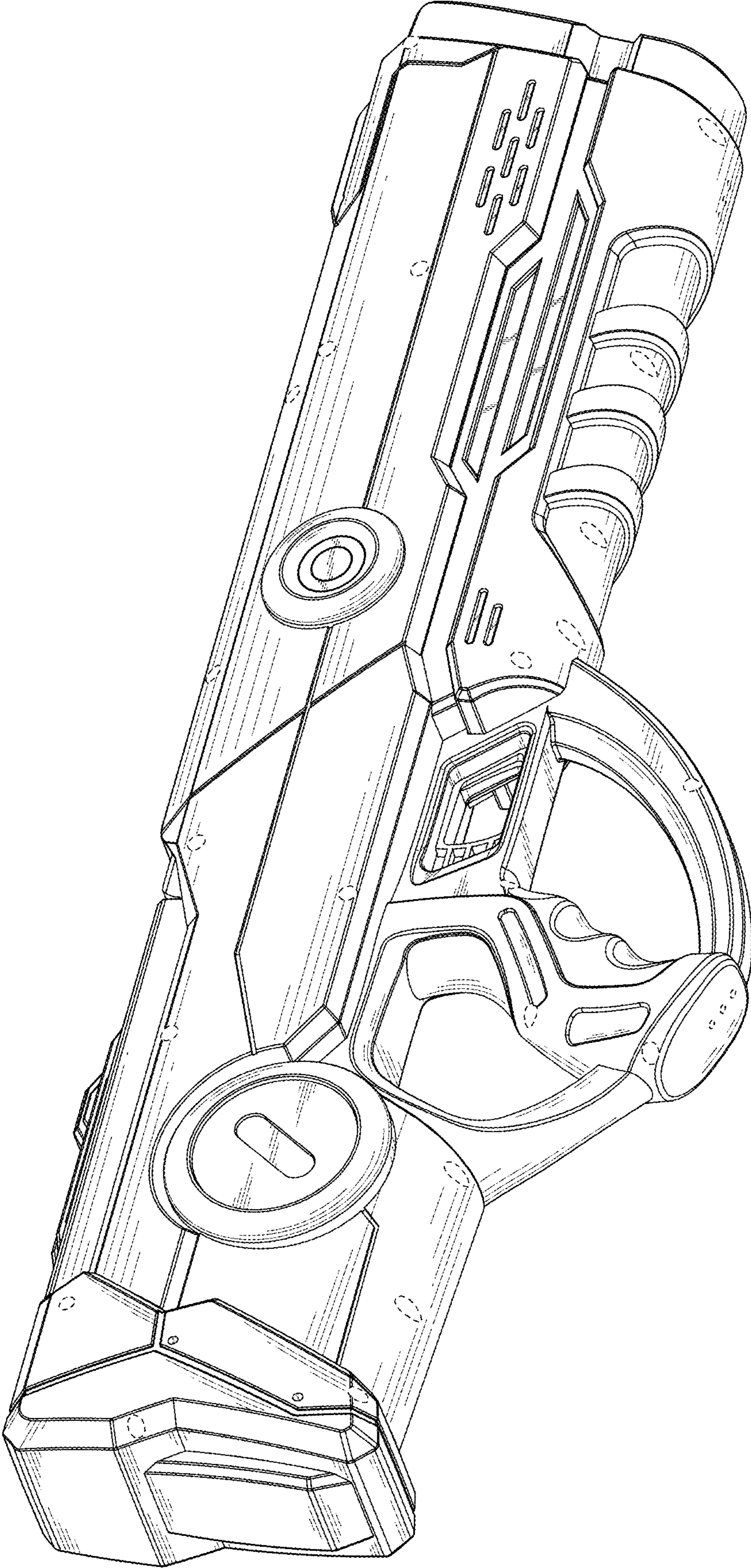


FIG. 2

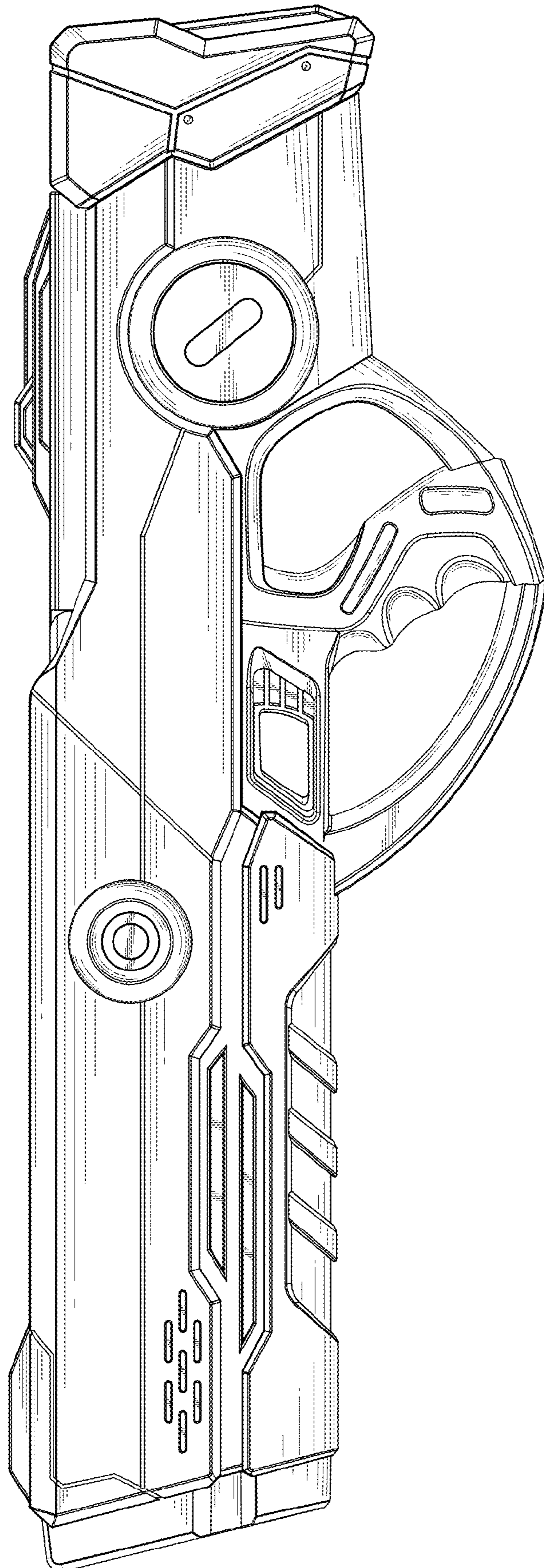


FIG. 3

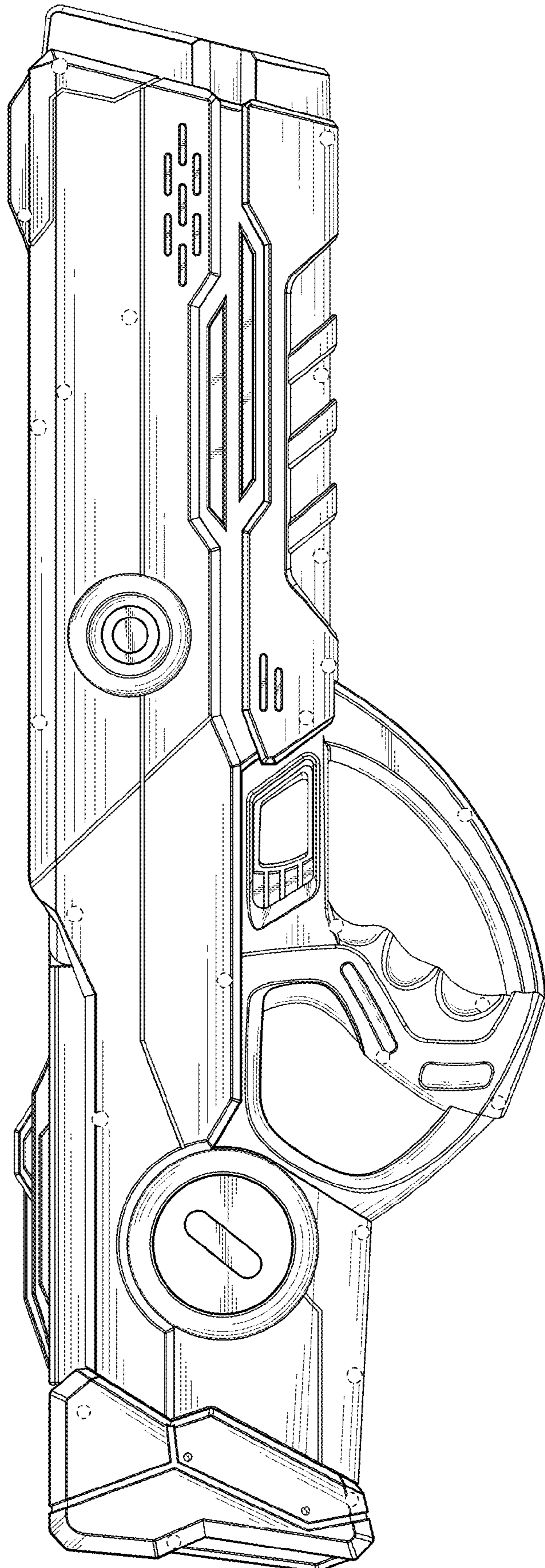


FIG. 4

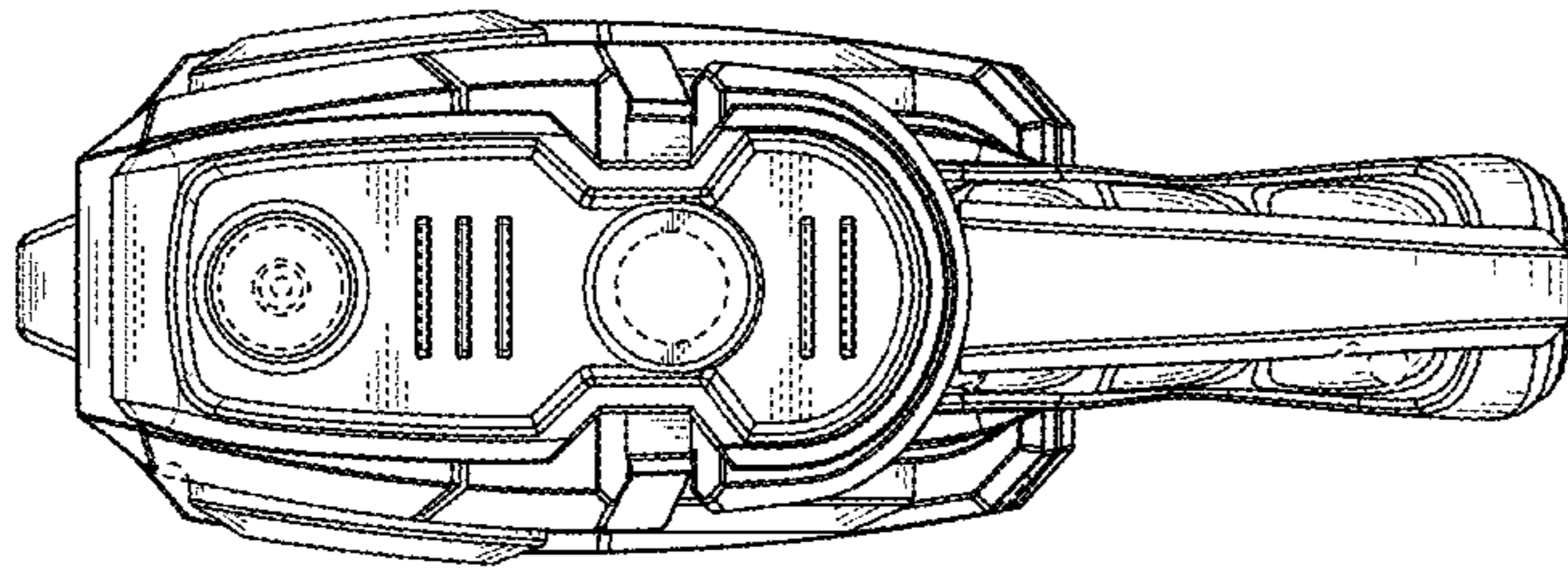


FIG. 5

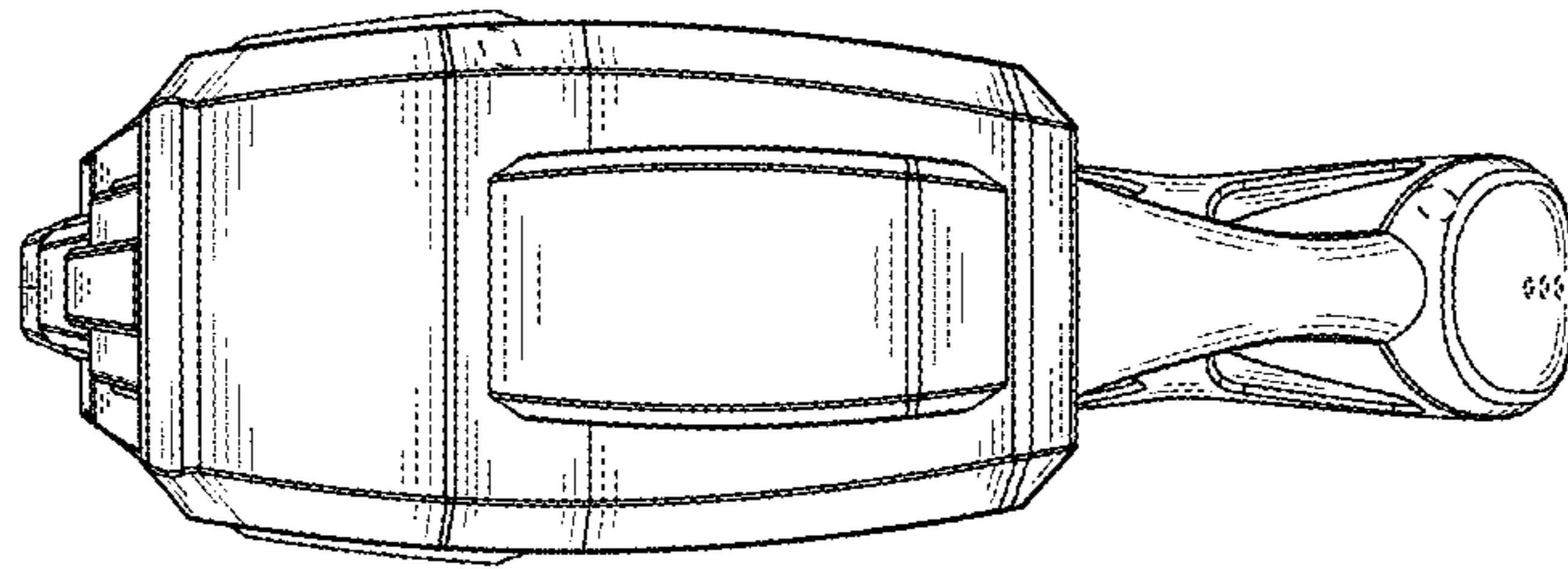


FIG. 6

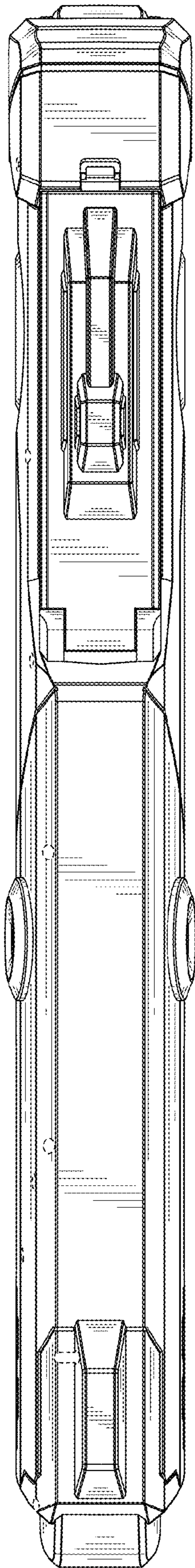


FIG. 7



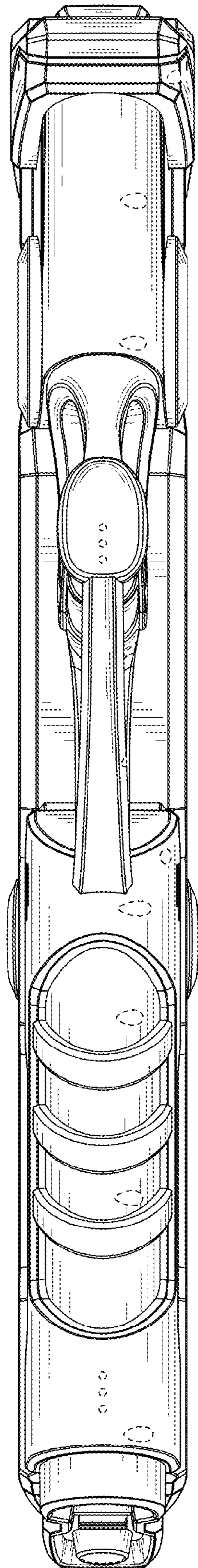


FIG. 8