



US00D977035S

(12) **United States Design Patent**  
**Chen**

(10) **Patent No.:** **US D977,035 S**

(45) **Date of Patent:** **\*\* Jan. 31, 2023**

(54) **BOW**

(71) Applicant: **Ying Chen**, Guangdong (CN)

(72) Inventor: **Ying Chen**, Guangdong (CN)

(\*\*) Term: **15 Years**

(21) Appl. No.: **29/823,343**

(22) Filed: **Jan. 17, 2022**

(30) **Foreign Application Priority Data**

Jul. 17, 2021 (CN) ..... 202130454617.1

(51) **LOC (14) Cl.** ..... **21-01**

(52) **U.S. Cl.**  
USPC ..... **D21/571**

(58) **Field of Classification Search**  
USPC ..... D22/100, 101, 106, 107; D21/570, 571  
CPC ..... F41B 3/02; A63H 33/18; A01K 15/025  
See application file for complete search history.

(56) **References Cited**

**U.S. PATENT DOCUMENTS**

D263,162 S *	2/1982	Stewart	.....	D22/107
D282,481 S *	2/1986	Smith	.....	D22/107
D291,903 S *	9/1987	Smith	.....	D22/107
D297,965 S *	10/1988	Luse	.....	D22/107
D300,762 S *	4/1989	Jennings	.....	D22/107
5,224,464 A *	7/1993	Burnham	.....	F41B 11/642 124/16
D528,625 S *	9/2006	Blosser	.....	D22/107
D738,441 S *	9/2015	Cummings	.....	D21/571
D738,442 S *	9/2015	Cummings	.....	D21/571
D741,439 S *	10/2015	Rodich	.....	D21/571
9,341,422 B2 *	5/2016	Rodich	.....	F41B 11/643
9,395,141 B2 *	7/2016	Cummings	.....	F41B 5/1411
D774,154 S *	12/2016	Trpkovski	.....	D22/107
D819,158 S *	5/2018	Pell	.....	D22/107

D844,089 S *	3/2019	Rodich	.....	D22/107
D881,999 S *	4/2020	Lin	.....	D21/571
D946,090 S *	3/2022	Wang	.....	D21/571
D946,687 S *	3/2022	Gibson	.....	D22/107
D948,633 S *	4/2022	Kam	.....	D21/570
2018/0306549 A1 *	10/2018	Trpkovski	.....	F41B 5/1403

**OTHER PUBLICATIONS**

“Bow and Arrow Set for 3 4 5 6 7 8 Year Old Boys, Outdoor Toys for Kids Ages 4-8 Toys for 5 Year Old Boys Toys for 6 Year Old Boys Gifts Indoor Games Birthday Gifts for Boys Girls Kids” [online]. Britik. [Retrieved on Sep. 26, 2022]. Retrieved from the Internet: <<https://www.amazon.com/dp/B09XTNSMPC>>.\*

“Bow and Arrow Set for 3 4 5 6 7 8 Year Old Boys, Outdoor Toys for Kids Ages 4-8 Toys for 5 Year Old Boys Toys for 6 Year Old Boys Gifts Indoor Games Birthday Gifts for Boys Girls Kids” [online]. Britik. [Retrieved on Sep. 26, 2022]. Retrieved from the Internet: <<https://www.amazon.com/dp/B094BX847W>>.\*

\* cited by examiner

*Primary Examiner* — Mojtaba Tehrani

(74) *Attorney, Agent, or Firm* — Che-Yang Chen; Law Office of Michael Chen

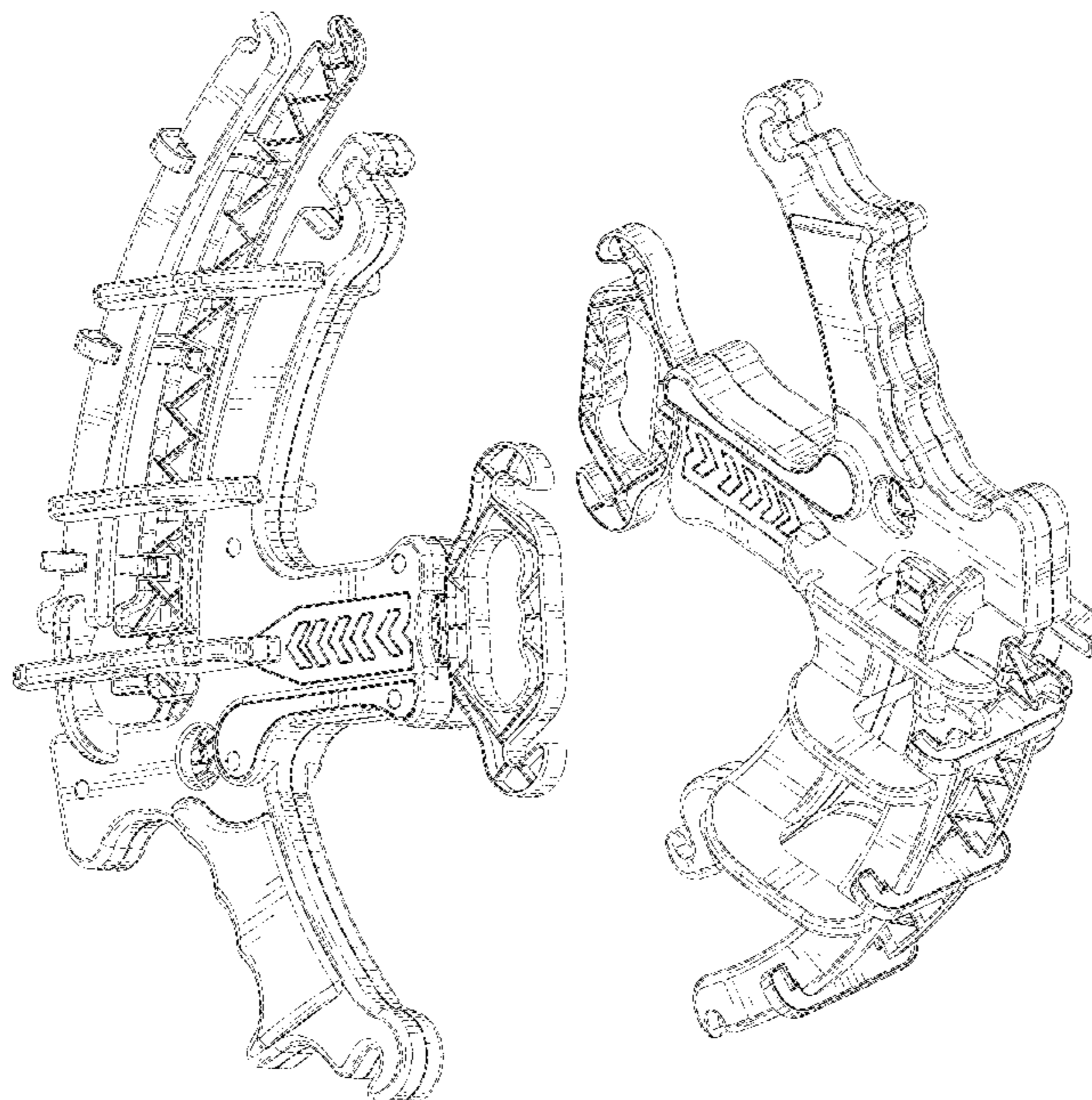
(57) **CLAIM**

The ornamental design for a bow, as shown and described.

**DESCRIPTION**

FIG. 1 is a perspective view of the bow showing my new design;  
FIG. 2 is a perspective view thereof from another angle;  
FIG. 3 is a front elevational view thereof;  
FIG. 4 is a rear elevational view thereof;  
FIG. 5 is a left side elevational view thereof;  
FIG. 6 is a right side elevational view thereof;  
FIG. 7 is a top plan view thereof; and,  
FIG. 8 is a bottom plan view thereof.

**1 Claim, 8 Drawing Sheets**



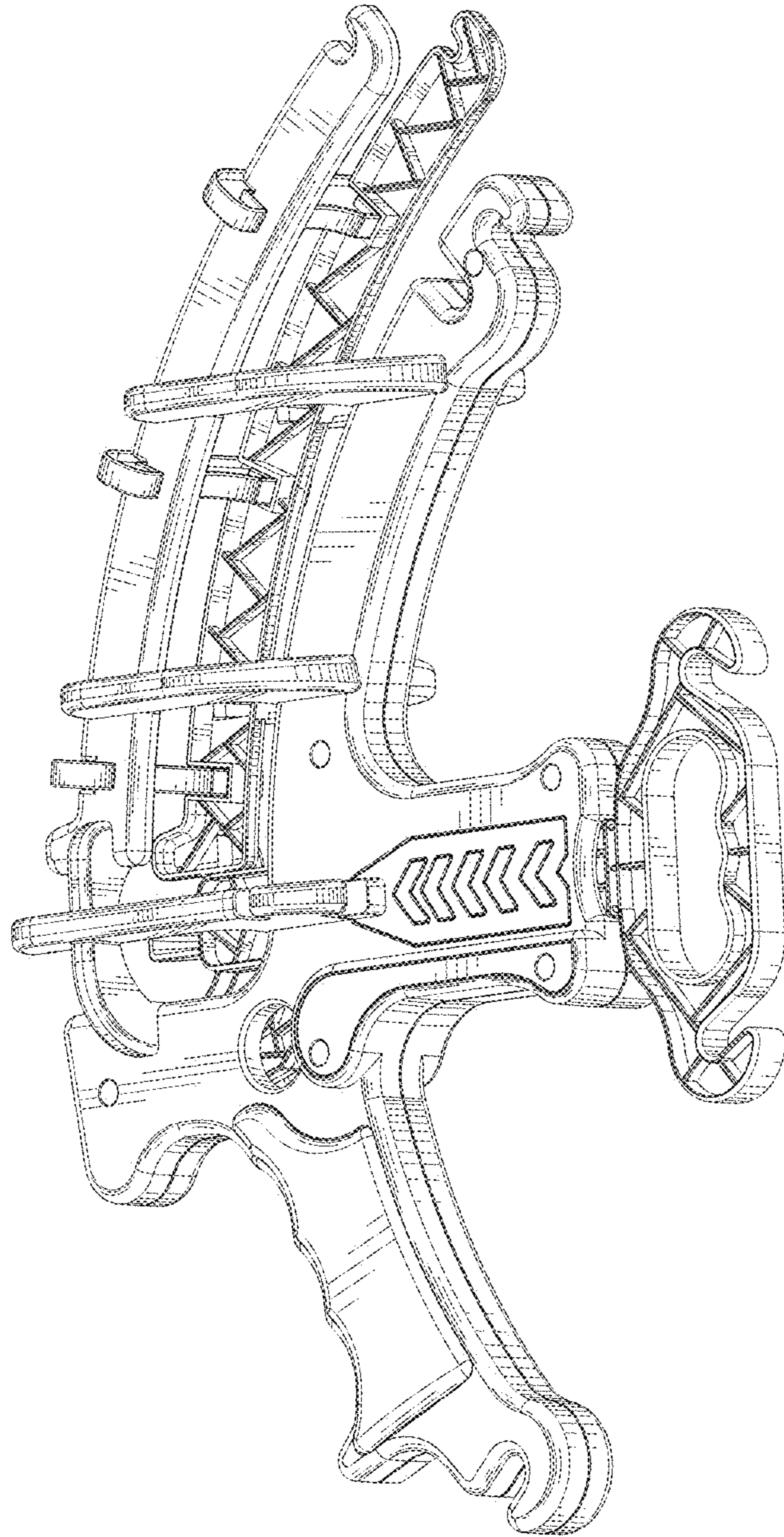


FIG. 1

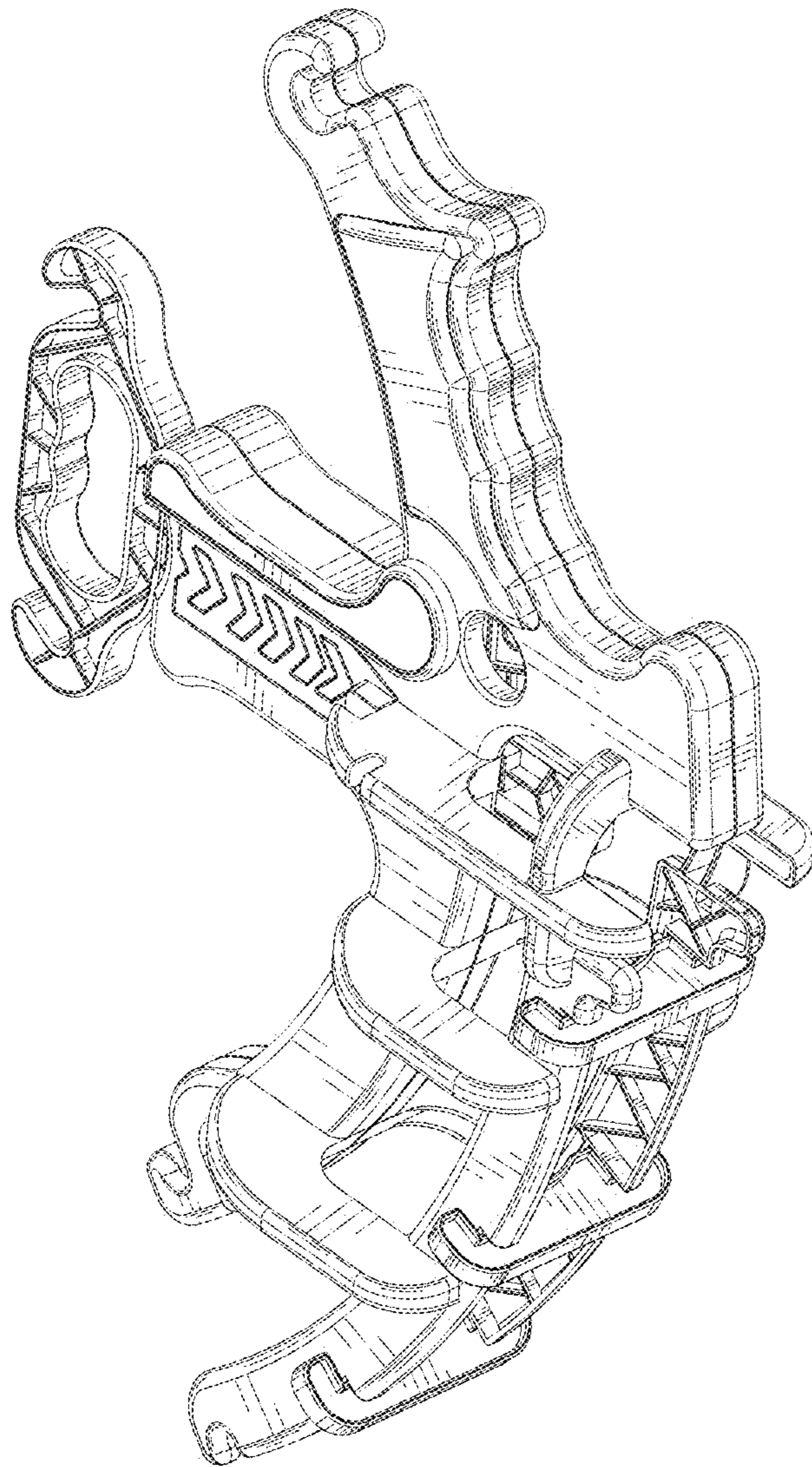


FIG. 2

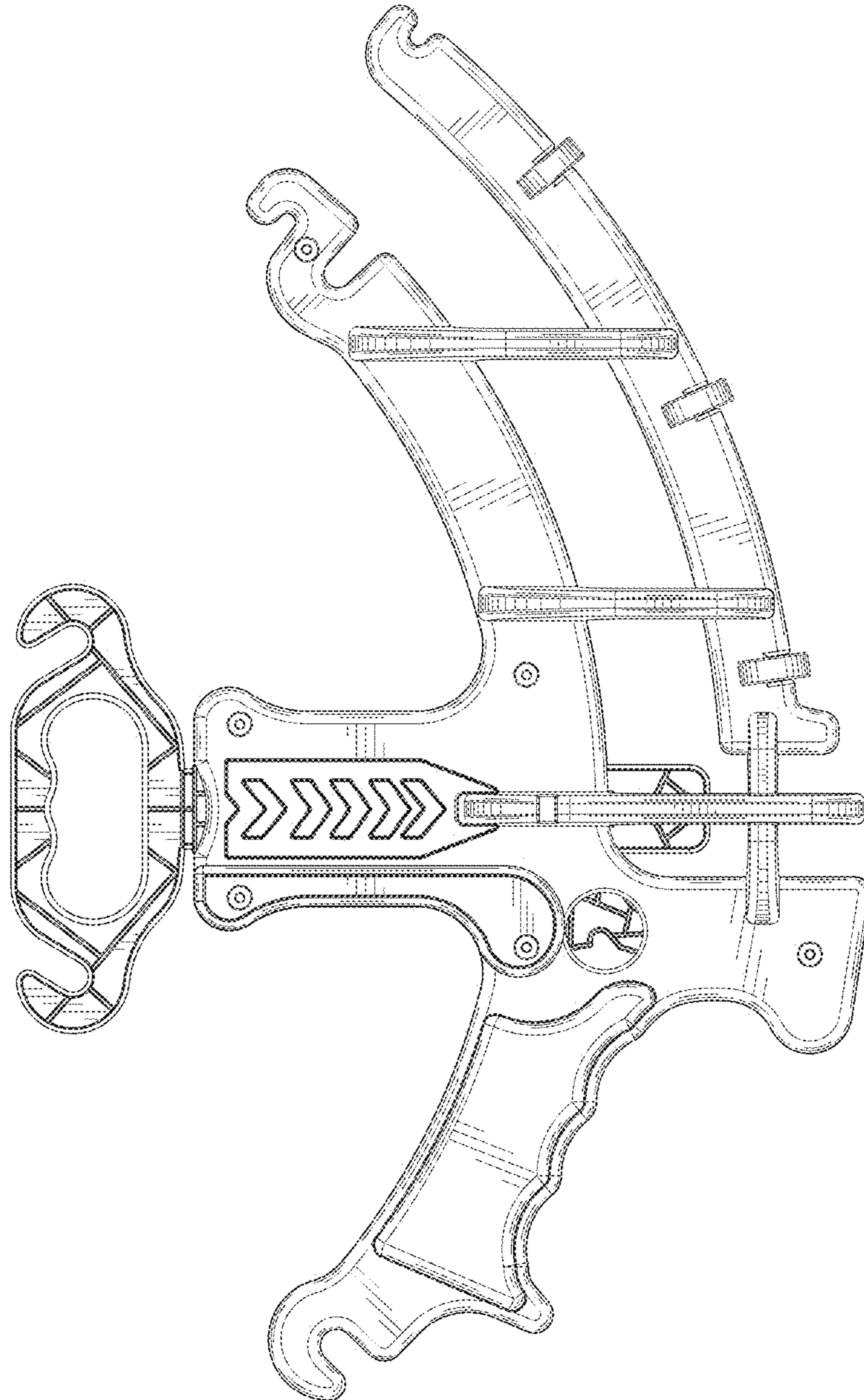


FIG. 3

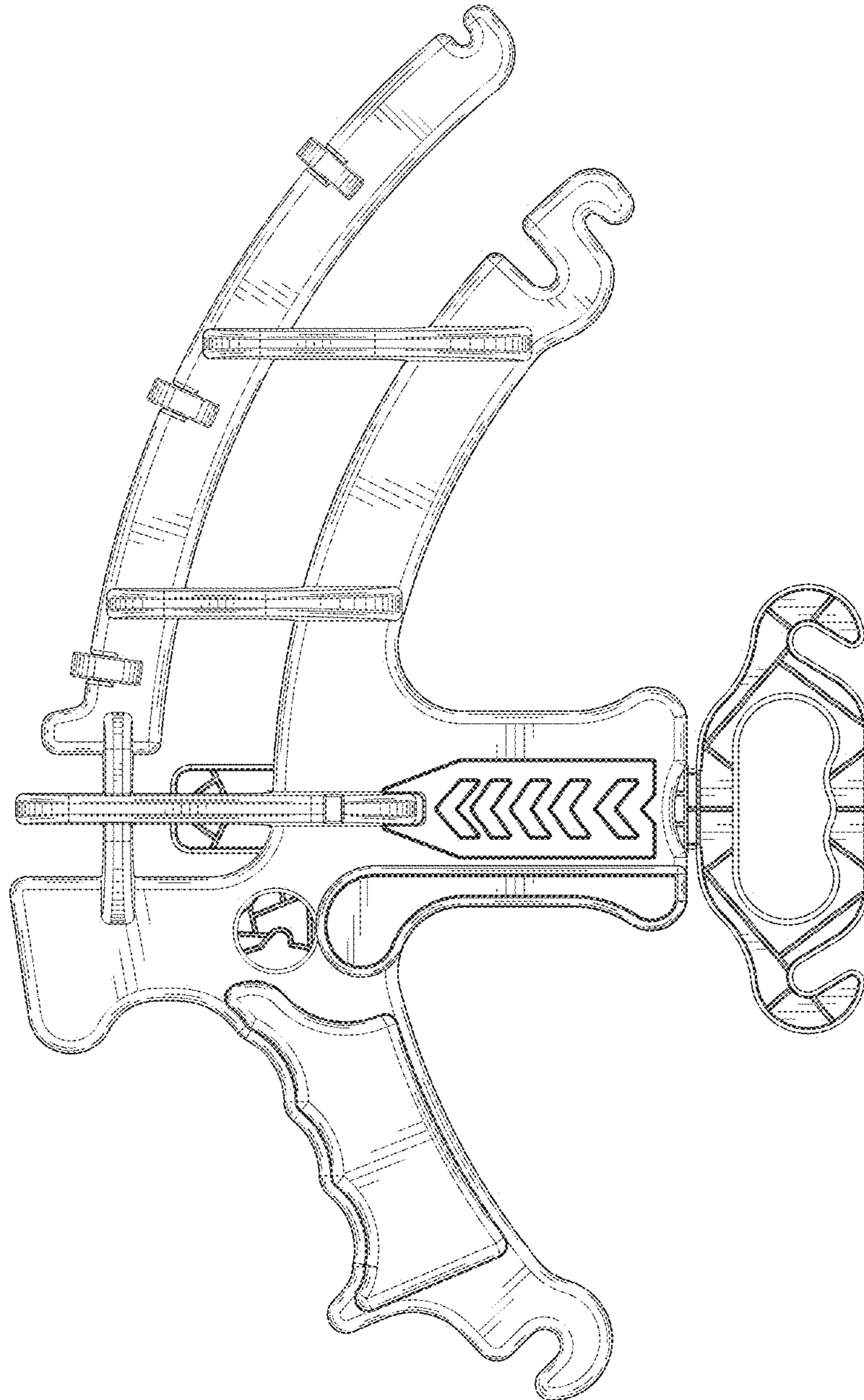


FIG. 4

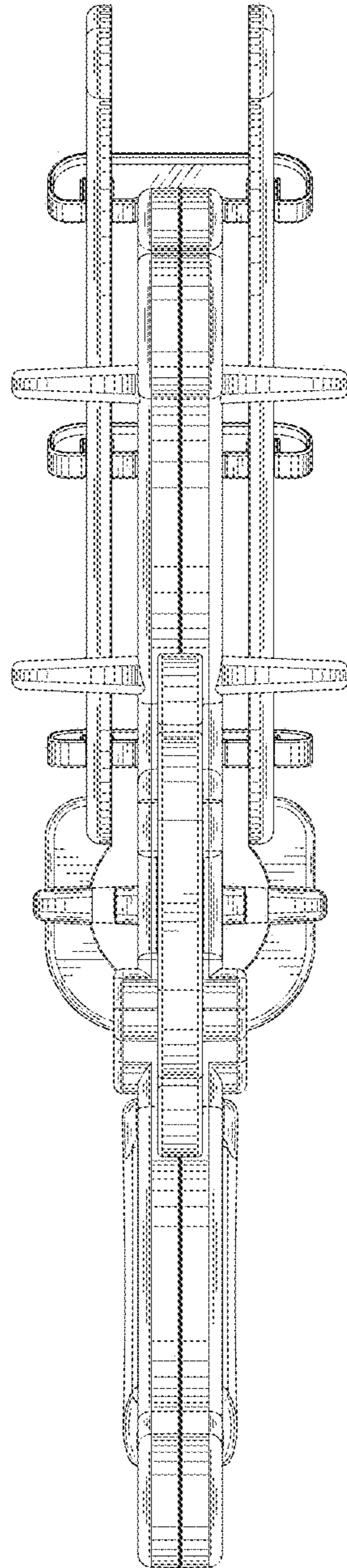


FIG. 5

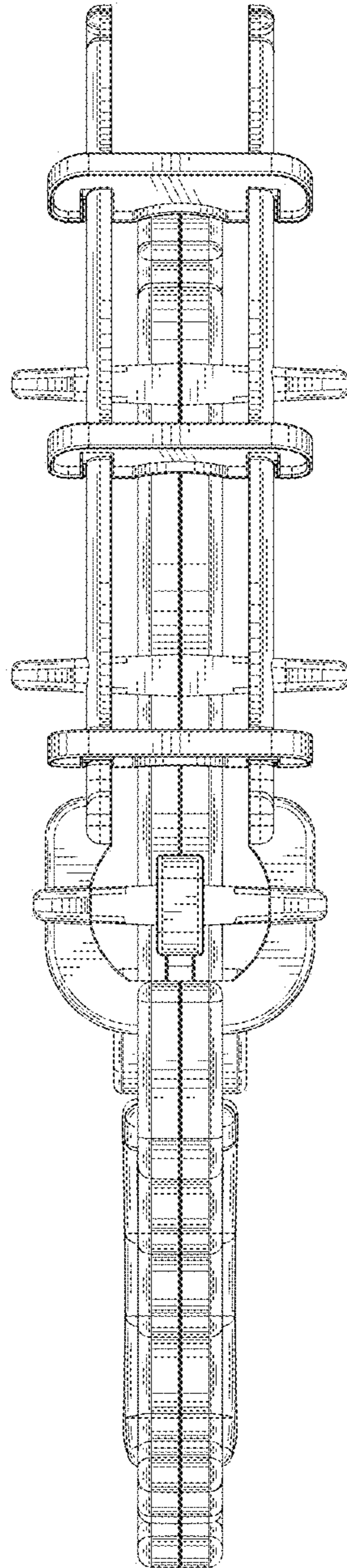


FIG. 6

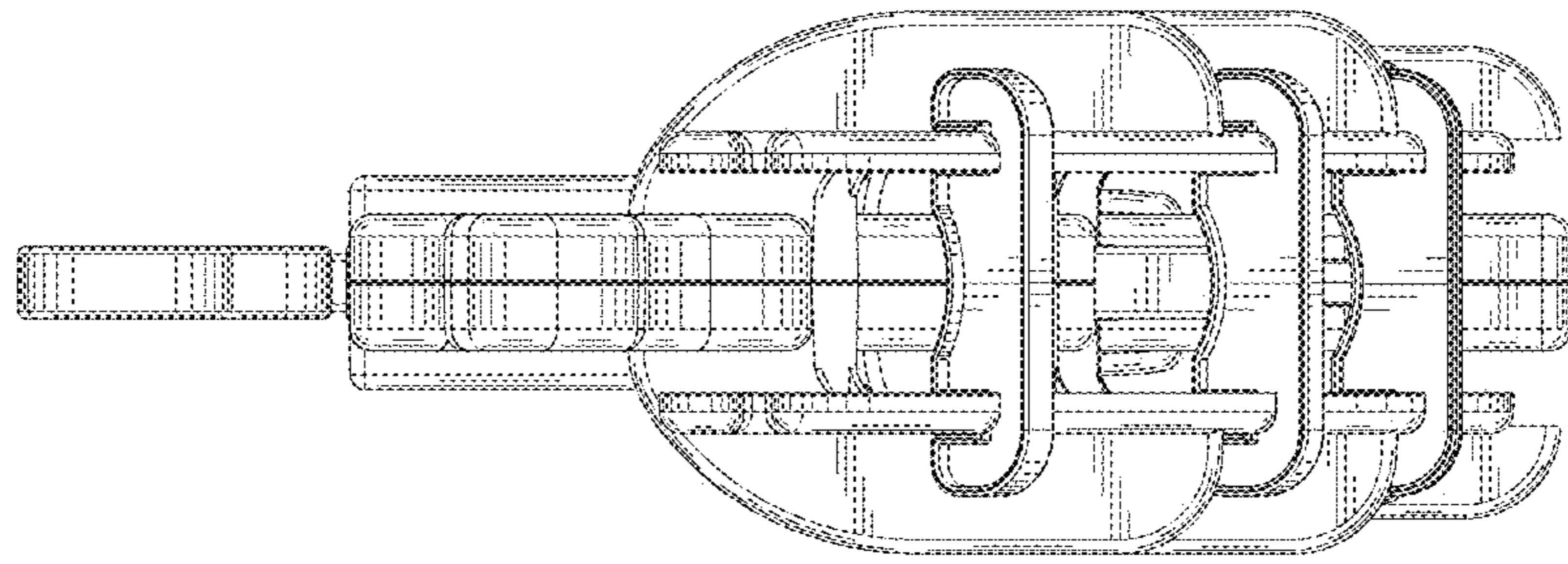


FIG. 7



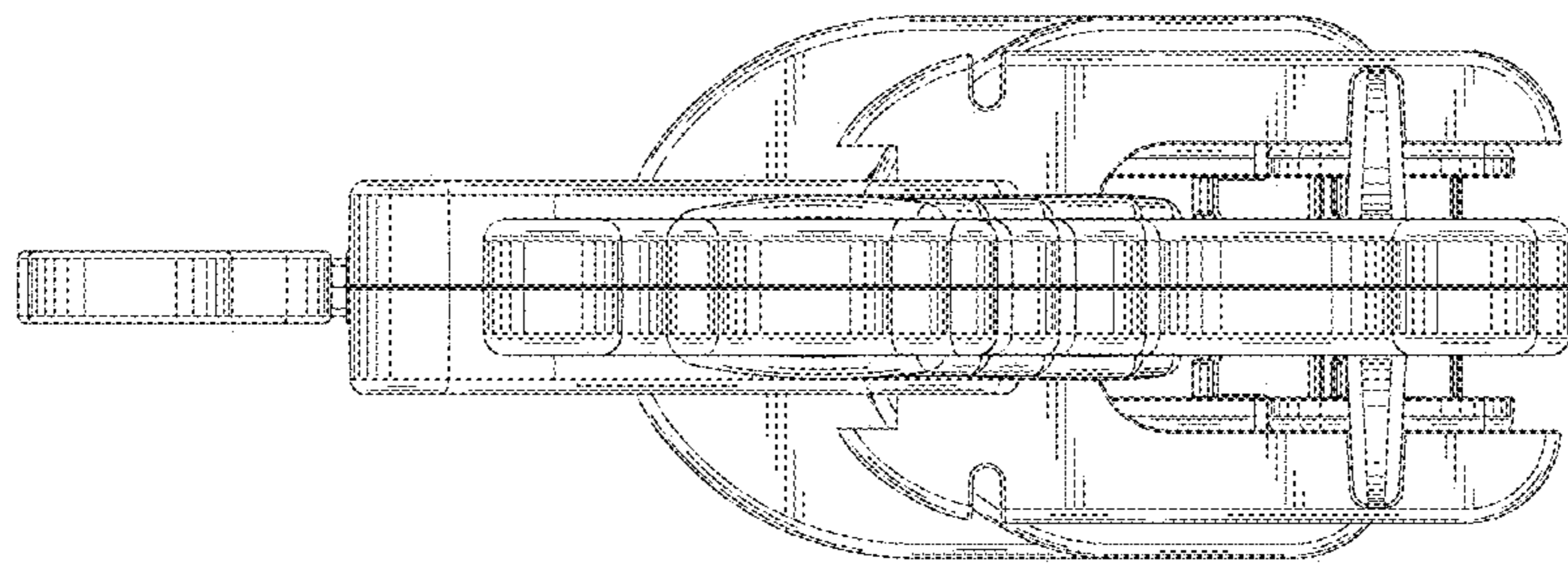


FIG. 8