



US00D977034S

(12) **United States Design Patent**
Wu

(10) **Patent No.:** **US D977,034 S**
(45) **Date of Patent:** **** Jan. 31, 2023**

(54) **BUILDING TOY**

(71) Applicant: **Congjia Wu**, Jieyang (CN)

(72) Inventor: **Congjia Wu**, Jieyang (CN)

(**) Term: **15 Years**

(21) Appl. No.: **29/830,854**

(22) Filed: **Mar. 15, 2022**

(51) **LOC (14) Cl.** **21-01**

(52) **U.S. Cl.**
USPC **D21/564**

(58) **Field of Classification Search**
USPC D21/456, 484, 503, 506, 564, 565
(Continued)

(56) **References Cited**

U.S. PATENT DOCUMENTS

D260,412 S * 8/1981 Hirano D21/564
D290,028 S * 5/1987 Wichman D21/565
(Continued)

OTHER PUBLICATIONS

LTKFFFdp Store Magnetic Building Blocks Toys for Kids Ages Apr. 8, 2012 with Ball Track, Reviewed and online as early as Dec. 7, 2020 [online], [site visited Sep. 17, 2022]. Available from Internet: <URL:https://www.amazon.com/dp/B08GBM3MB4/> (Year: 2020).*

(Continued)

Primary Examiner — Cynthia M. Chin

(74) *Attorney, Agent, or Firm* — ScienBiziP, P.C.

(57) **CLAIM**

The ornamental design for a building toy, as shown and described.

DESCRIPTION

FIG. 1 is a perspective view of a building toy showing my new design.

FIG. 2 is a first perspective view of a first element of a building toy showing my new design.

FIG. 3 is a second perspective view of the first element thereof.

FIG. 4 is a front view of the first element thereof.

FIG. 5 is a back view of the first element thereof.

FIG. 6 is a left side view of the first, element thereof.

FIG. 7 is a right side view of the first element thereof.

FIG. 8 is a top view of the first element thereof.

FIG. 9 is a bottom view of the first element thereof.

FIG. 10 is a first perspective view of a second element of a building toy showing my new design.

FIG. 11 is a second perspective view of the second element thereof.

FIG. 12 is a front view of the second element thereof.

FIG. 13 is a back view of the second element thereof.

FIG. 14 is a left side view of the second element thereof.

FIG. 15 is a right side view of the second element thereof.

FIG. 16 is a top view of the second element thereof.

FIG. 17 is a bottom view of the second element thereof.

FIG. 18 is a first perspective view of a third element of a building toy showing my new design.

FIG. 19 is a second perspective view of the third element thereof.

FIG. 20 is a front view of the third element thereof.

FIG. 21 is a back view of the third element thereof.

FIG. 22 is a left side view of the third element thereof.

FIG. 23 is a right side view of the third element thereof.

FIG. 24 is a top view of the third element thereof.

FIG. 25 is a bottom view of the third element thereof.

FIG. 26 is a first perspective view of a fourth element of a building toy showing my new design.

FIG. 27 is a second perspective view of the fourth element thereof.

FIG. 28 is a front view of the fourth element thereof.

FIG. 29 is a back view of the fourth element thereof.

FIG. 30 is a left side view of the fourth element thereof.

FIG. 31 is a right side view of the fourth element thereof.

FIG. 32 is a top view of the fourth element thereof.

FIG. 33 is a bottom view of the fourth element thereof.

FIG. 34 is a first perspective view of a fifth element of a building toy showing my new design.

(Continued)

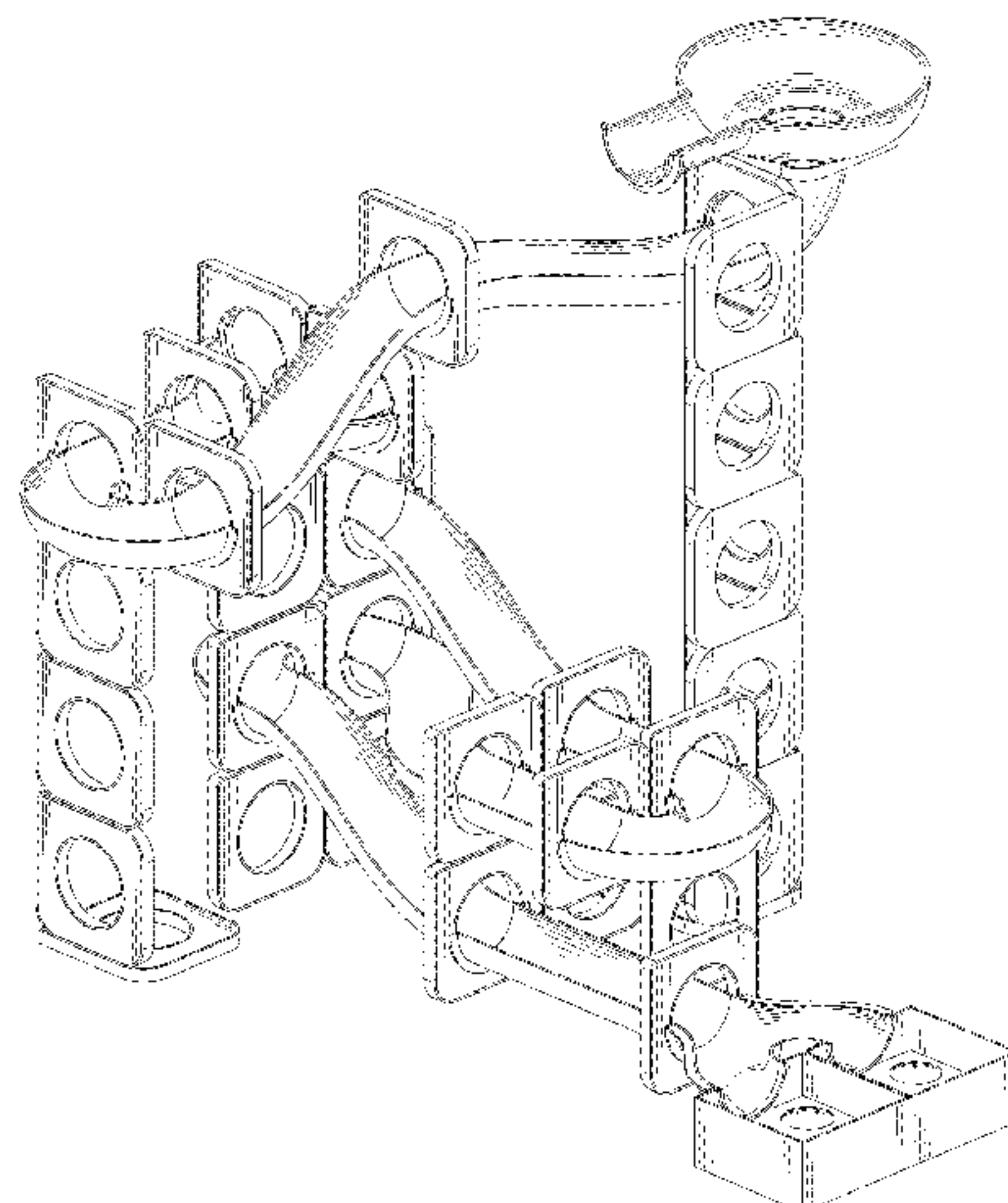


FIG. 35 is a second perspective view of the fifth element thereof.
 FIG. 36 is a front view of the fifth element thereof.
 FIG. 37 is a back view of the fifth element thereof.
 FIG. 38 is a left side view of the fifth element thereof.
 FIG. 39 is a right side view of the fifth element thereof.
 FIG. 40 is a top view of the fifth element thereof.
 FIG. 41 is a bottom view of the fifth element thereof.
 FIG. 42 is a first perspective view of a sixth element of a building toy showing my new design.
 FIG. 43 is a second perspective view of the sixth element thereof.
 FIG. 44 is a front view of the sixth element thereof.
 FIG. 45 is a back view of the sixth element thereof.
 FIG. 46 is a left side view of the sixth element thereof.
 FIG. 47 is a right side view of the sixth element thereof.
 FIG. 48 is a top view of the sixth element thereof.
 FIG. 49 is a bottom view of the sixth element thereof.
 FIG. 50 is a first perspective view of a seventh element of a building toy showing my new design.
 FIG. 51 is a second perspective view of the seventh element thereof.
 FIG. 52 is a front view of the seventh element thereof.
 FIG. 53 is a back view of the seventh element thereof.
 FIG. 54 is a left side view of the seventh element thereof.
 FIG. 55 is a right side view of the seventh element thereof.
 FIG. 56 is a top view of the seventh element thereof.
 FIG. 57 is a bottom view of the seventh element thereof.
 FIG. 58 is a first perspective view of an eighth element of a building toy showing my new design.
 FIG. 59 is a second perspective view of the eighth element thereof.
 FIG. 60 is a front view of the eighth element thereof.
 FIG. 61 is a back view of the eighth element thereof.
 FIG. 62 is a left side view of the eighth element thereof.
 FIG. 63 is a right side view of the eighth element thereof.
 FIG. 64 is a top view of the eighth element thereof.
 FIG. 65 is a bottom view of the eighth element thereof.
 FIG. 66 is a first perspective view of a ninth element of a building toy showing my new design.
 FIG. 67 is a second perspective view of the ninth element thereof.
 FIG. 68 is a front view of the ninth element thereof.
 FIG. 69 is a back view of the ninth element thereof.
 FIG. 70 is a left side view of the ninth element thereof.
 FIG. 71 is a right side view of the ninth element thereof.
 FIG. 72 is a top view of the ninth element thereof.
 FIG. 73 is a bottom view of the ninth element thereof.
 FIG. 74 is a first perspective view of a tenth element of a building toy showing my new design.
 FIG. 75 is a second perspective view of the tenth element thereof.
 FIG. 76 is a front view of the tenth element thereof.

FIG. 77 is a back view of the tenth element thereof.
 FIG. 78 is a left side view of the tenth element thereof.
 FIG. 79 is a right side view of the tenth element thereof.
 FIG. 80 is a top view of the tenth element thereof; and,
 FIG. 81 is a bottom view of the tenth element thereof.
 The elements shown of the building toy are shown separately in FIGS. 2-81 for ease and clarity of illustration.

1 Claim, 81 Drawing Sheets

(58) **Field of Classification Search**

CPC A63F 7/0088; A63F 7/28; A63F 7/3622;
 A63F 7/3666; A63F 2007/282; A63F
 2007/284; A63F 2007/286; A63F
 2007/288; A63H 18/02

See application file for complete search history.

(56) **References Cited**

U.S. PATENT DOCUMENTS

4,713,038	A *	12/1987	Wichman	A63F 7/3622 446/168
D294,044	S *	2/1988	Wichman	D21/565
D294,959	S *	3/1988	Wichman	D21/564
4,874,342	A *	10/1989	Klitsner	A63F 7/3622 446/168
D305,443	S *	1/1990	Klitsner	D21/565
5,007,876	A *	4/1991	Klitsner	A63F 7/3622 446/168
5,312,285	A *	5/1994	Rieber	A63F 7/3622 273/109
D422,034	S *	3/2000	Yamazaki	D21/470
D422,652	S *	4/2000	Watanabe	D21/564
6,273,778	B1 *	8/2001	Kyster	A63H 33/042 446/85
D457,198	S *	5/2002	Yamazaki	D21/456
6,386,538	B1 *	5/2002	Mejia	A63F 7/3622 446/168
D775,694	S	1/2017	Kaplan	
D809,071	S	1/2018	Liu et al.	
10,335,700	B2 *	7/2019	Wong	A63H 17/14
10,850,205	B2 *	12/2020	Forgrave	A63H 33/26
D918,313	S	5/2021	Wang	
D961,011	S *	8/2022	Yang	D21/564
D962,353	S *	8/2022	Cai	D21/456
2014/0011425	A1 *	1/2014	Christopherson	A63H 33/006 446/227
2019/0001232	A1 *	1/2019	Forgrave	A63H 18/00

OTHER PUBLICATIONS

PicassoTiles Marble Run, Reviewed and online as early as Feb. 22, 2020 [online], [site visited Sep. 17, 2022]. Available from Internet: <URL: <https://www.amazon.com/dp/B083XBBCK9/>> (Year: 2020).*

* cited by examiner

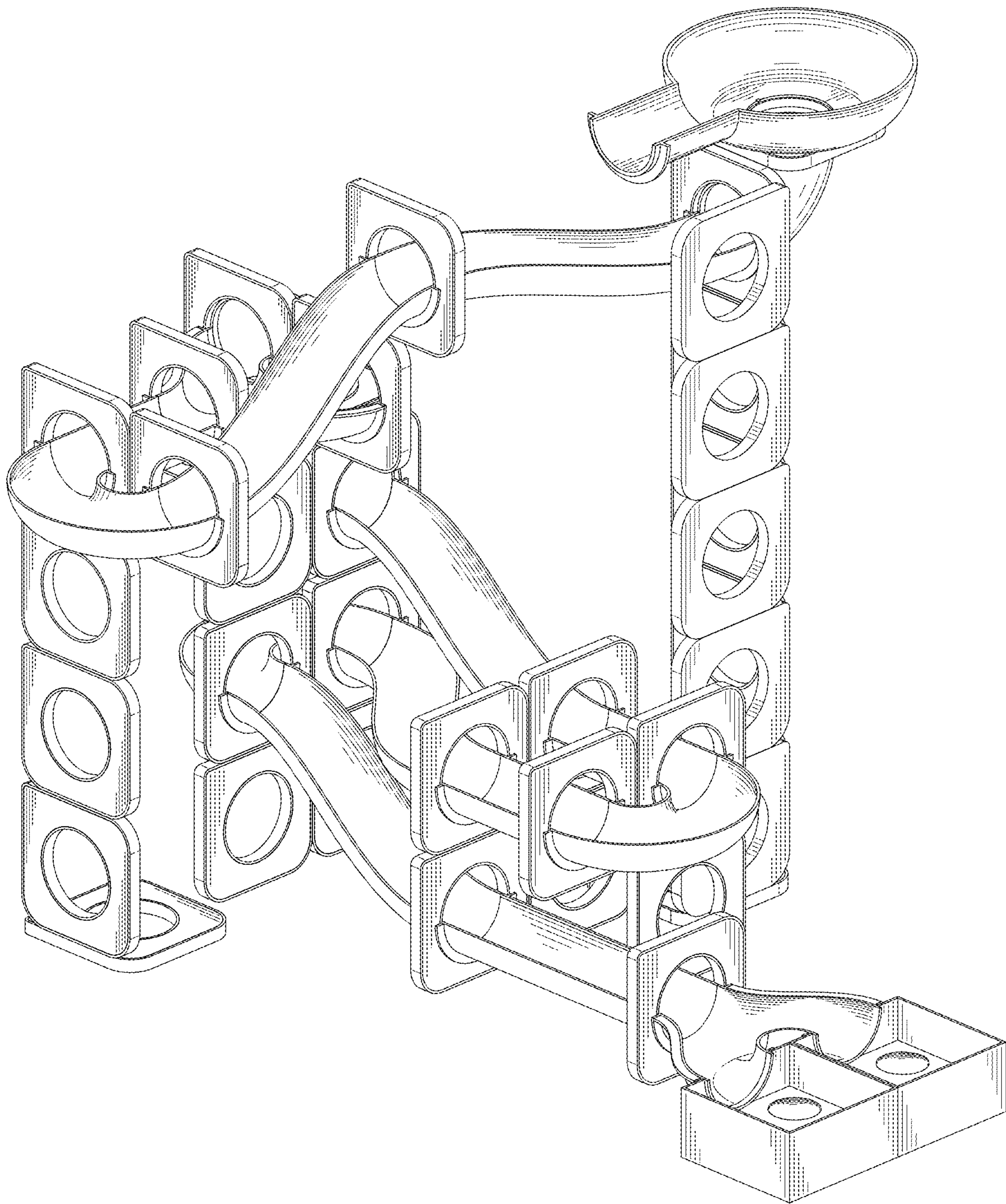


FIG. 1

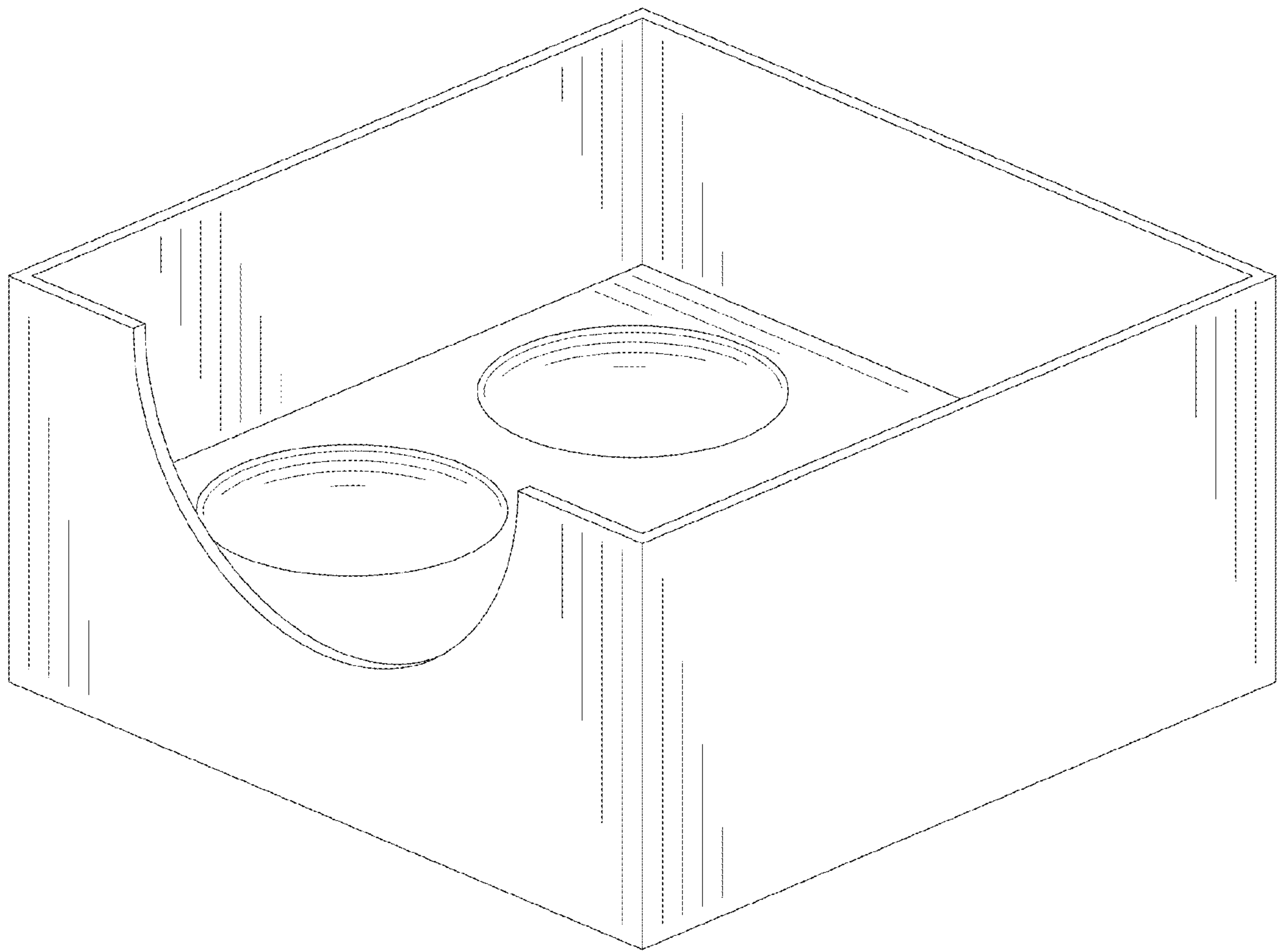


FIG. 2

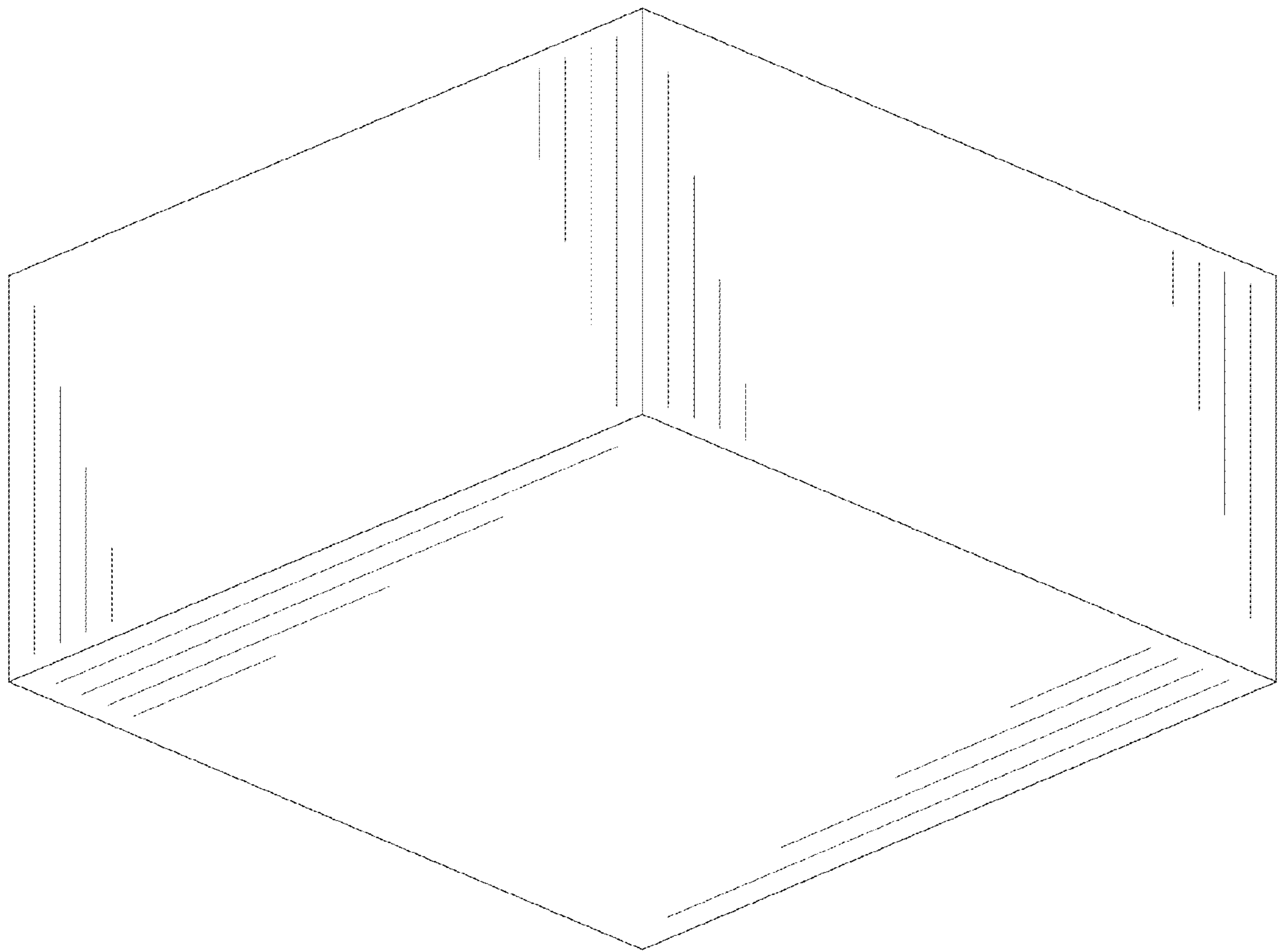


FIG. 3

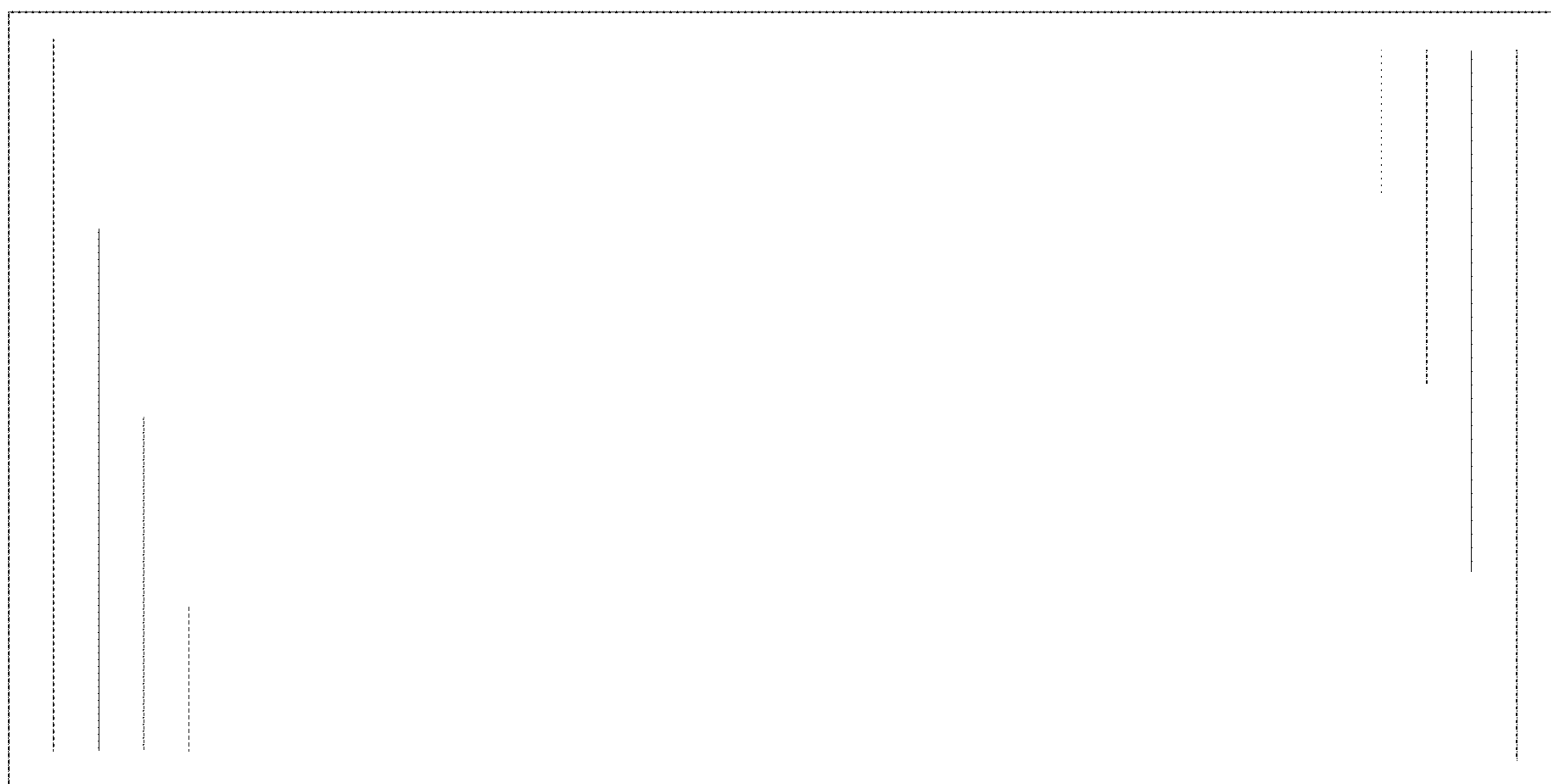


FIG. 4

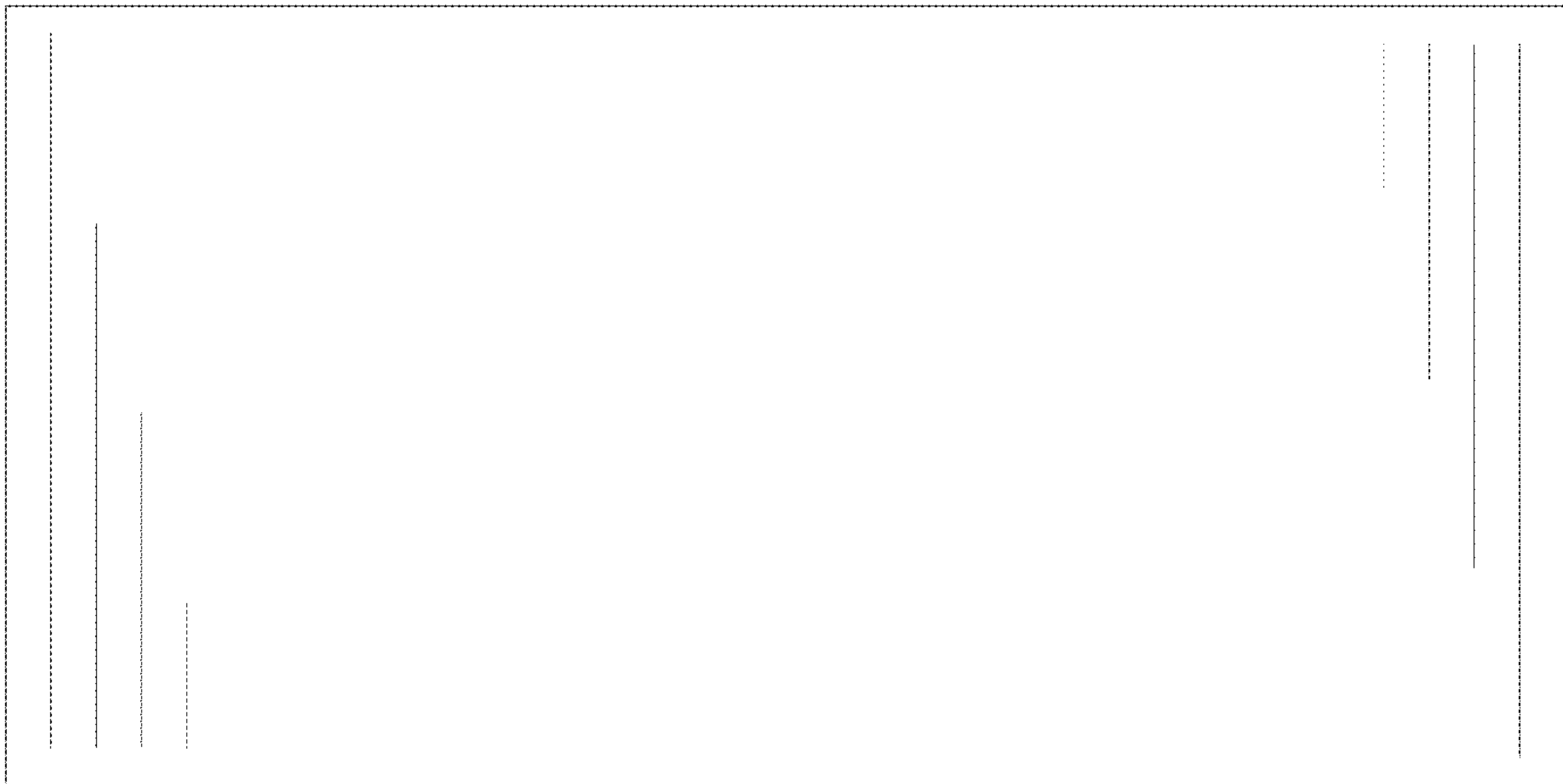


FIG. 5

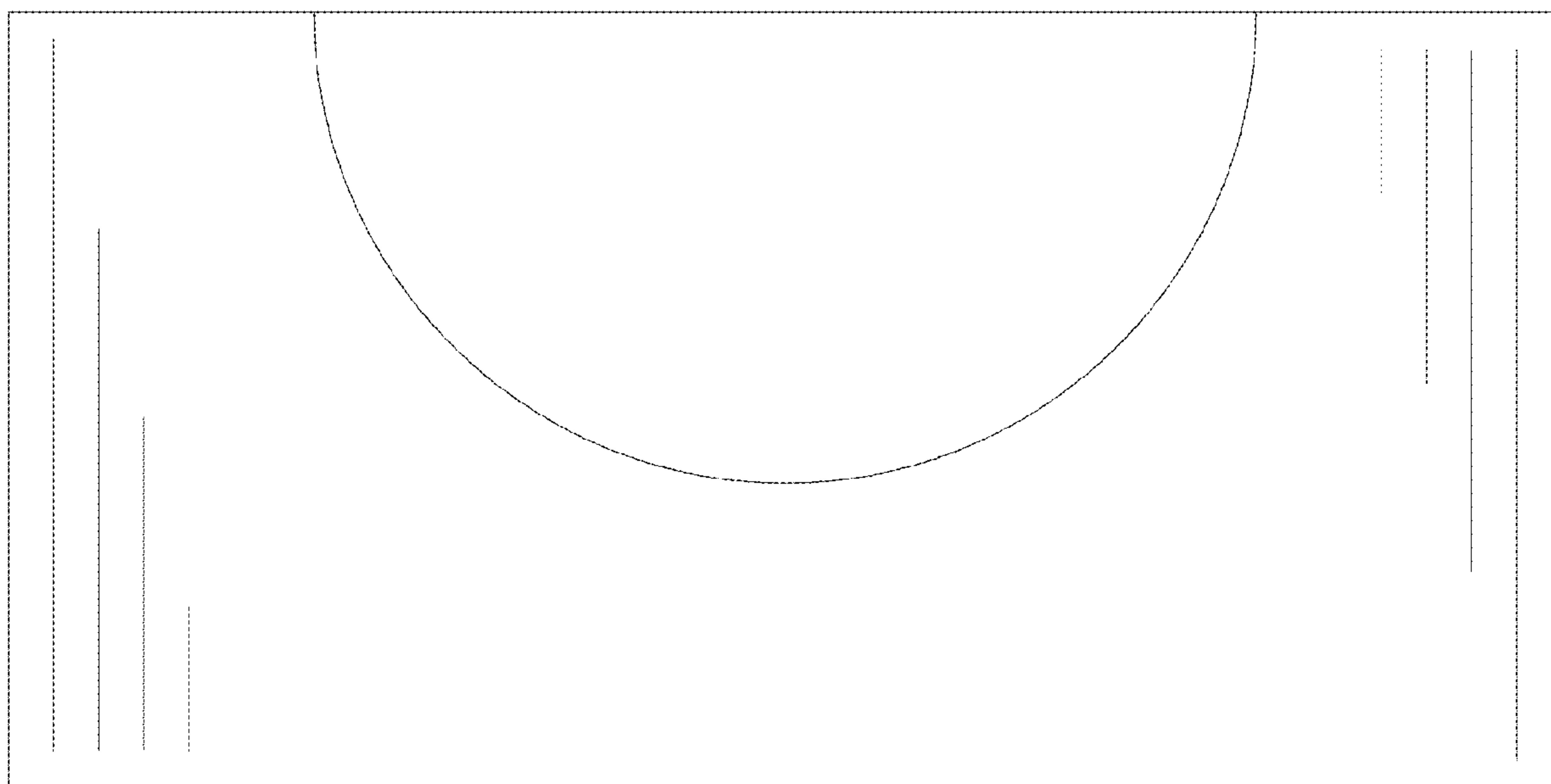


FIG. 6

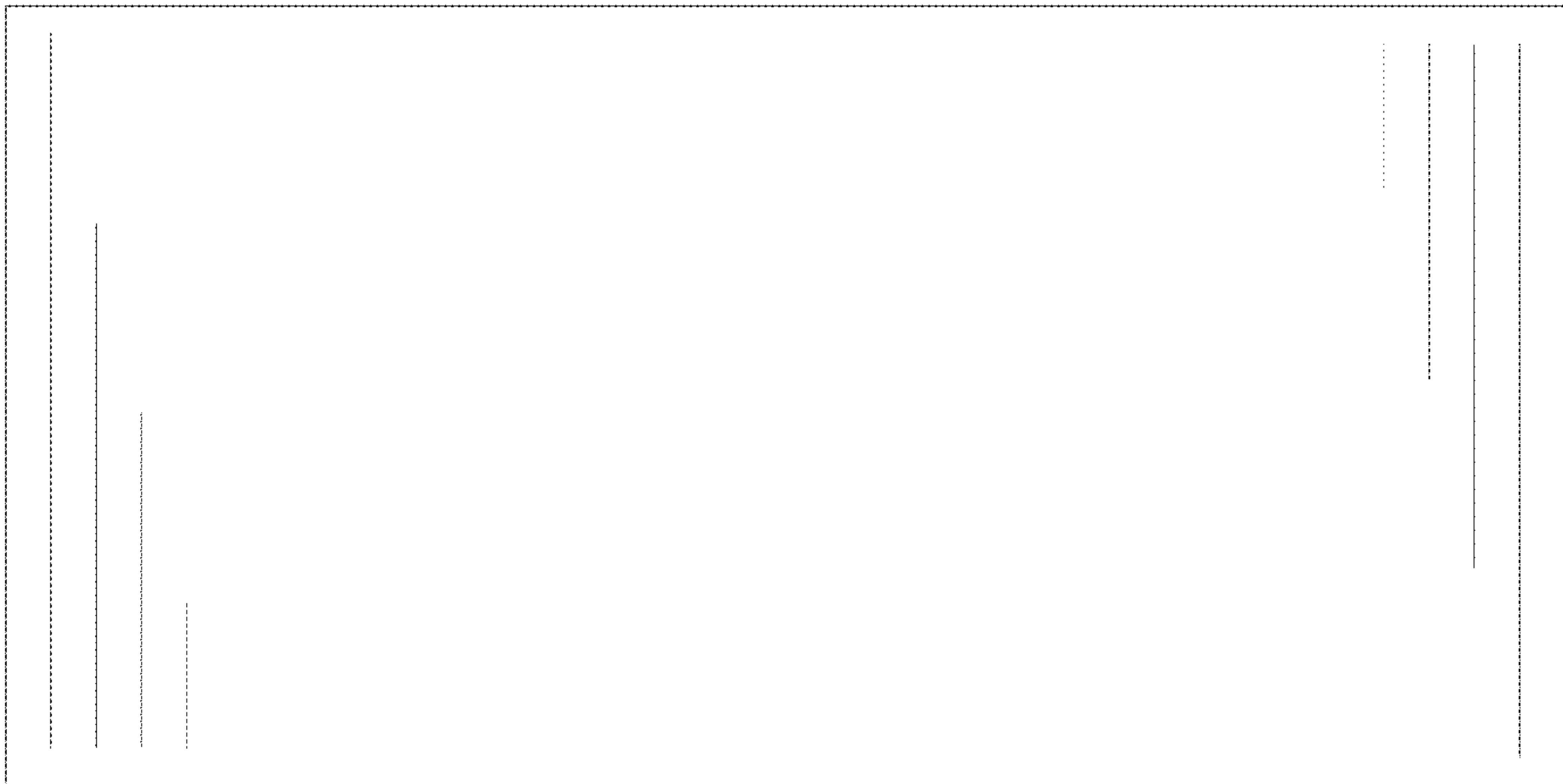


FIG. 7

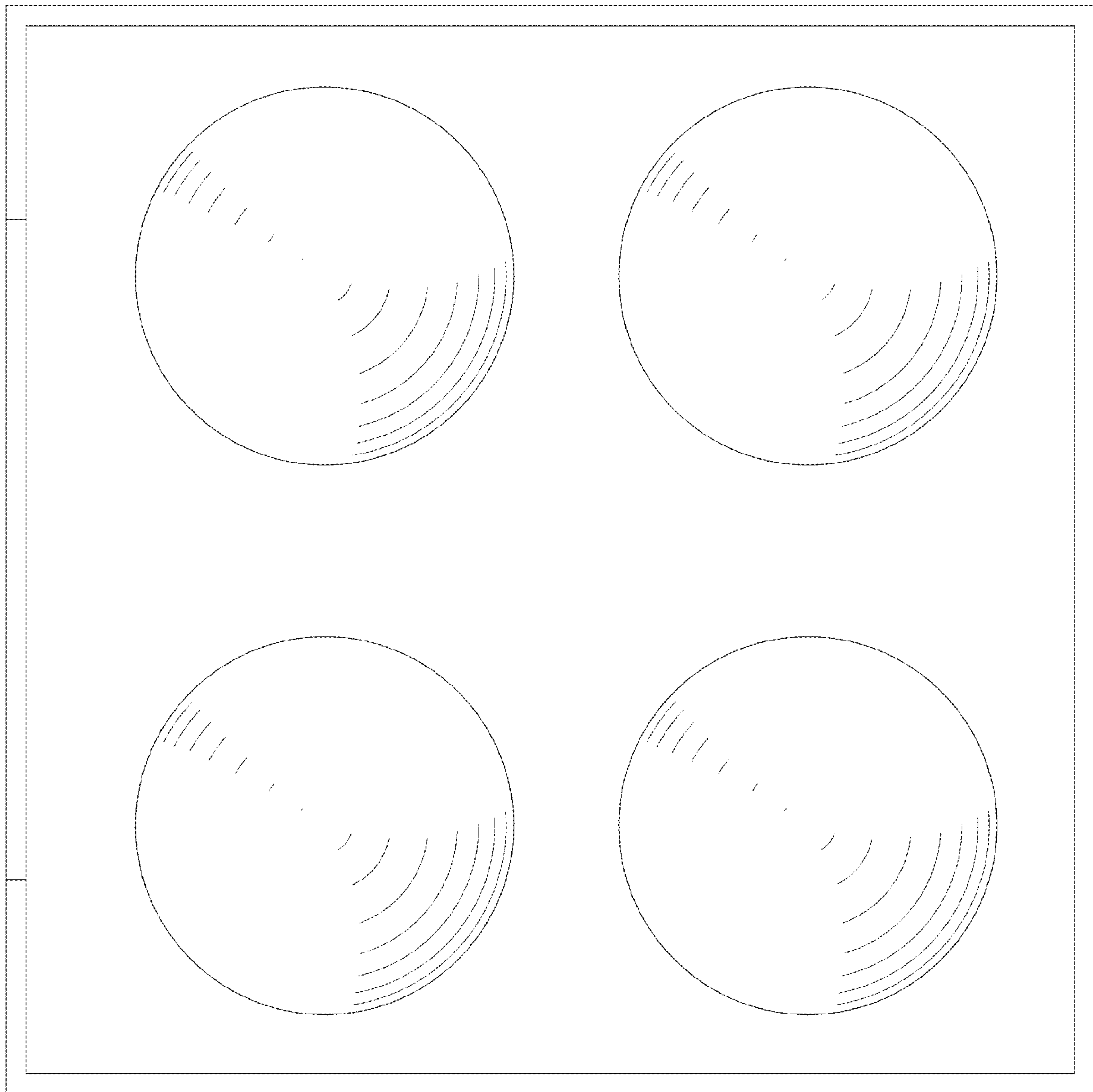


FIG. 8

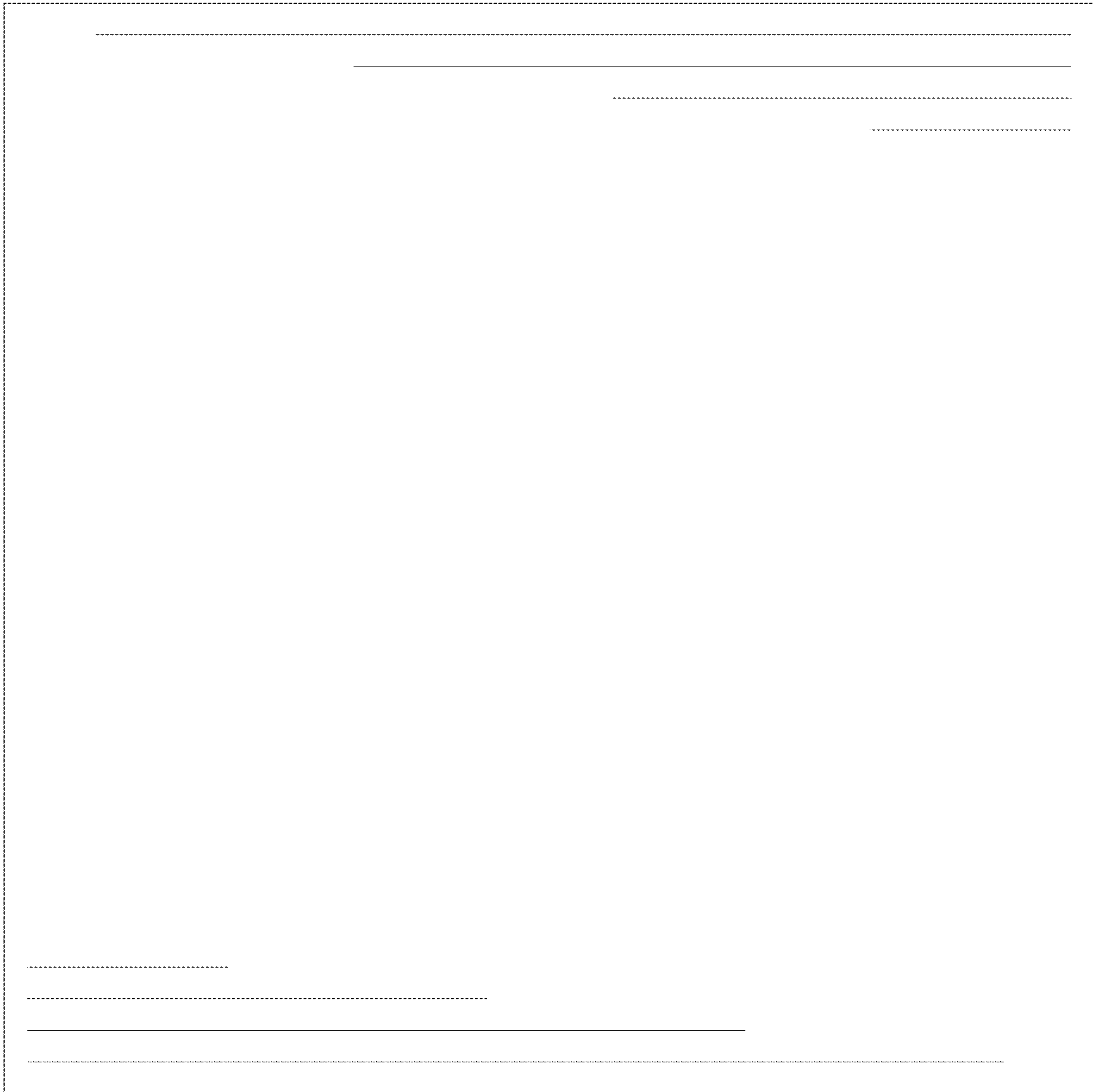


FIG. 9

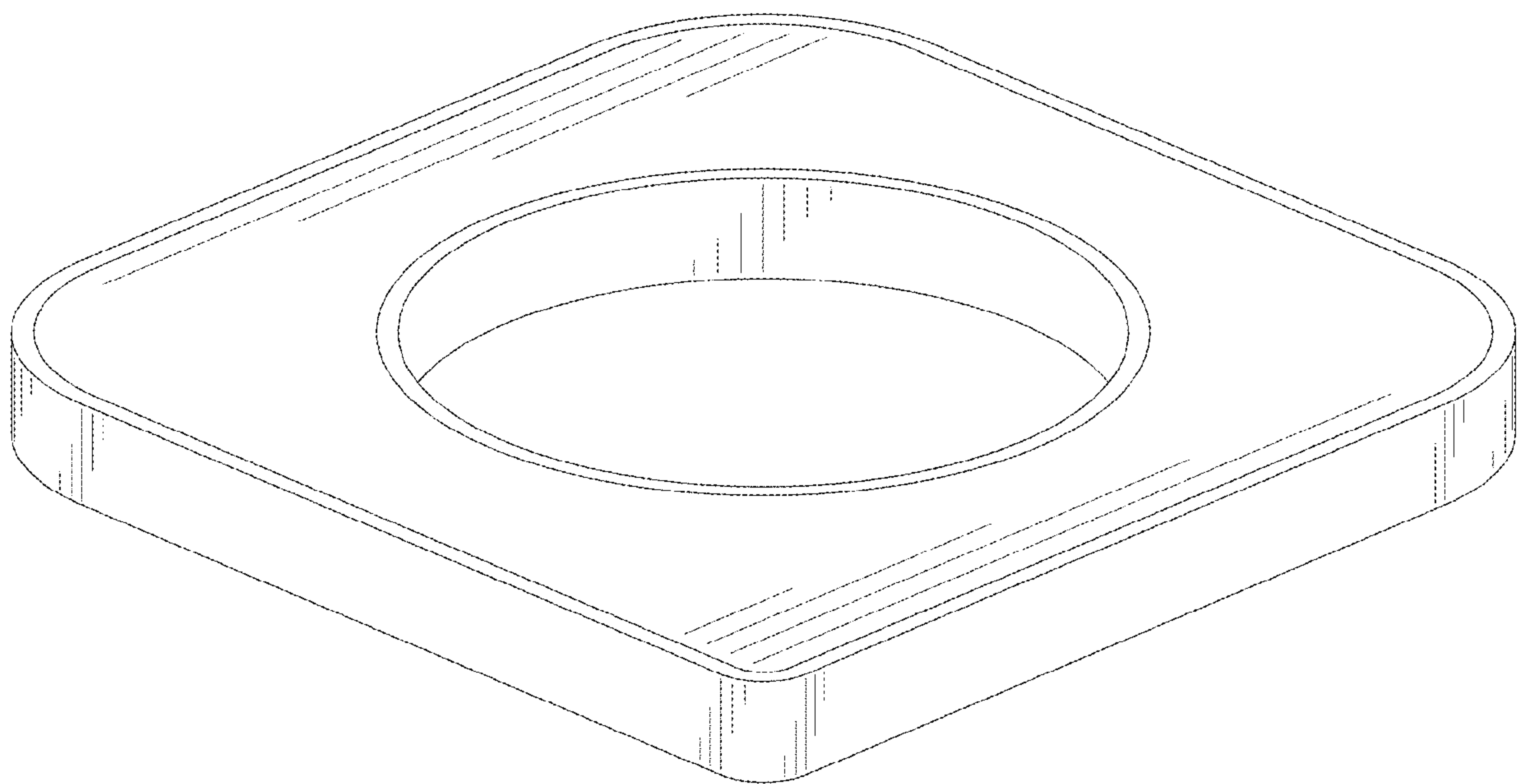


FIG. 10

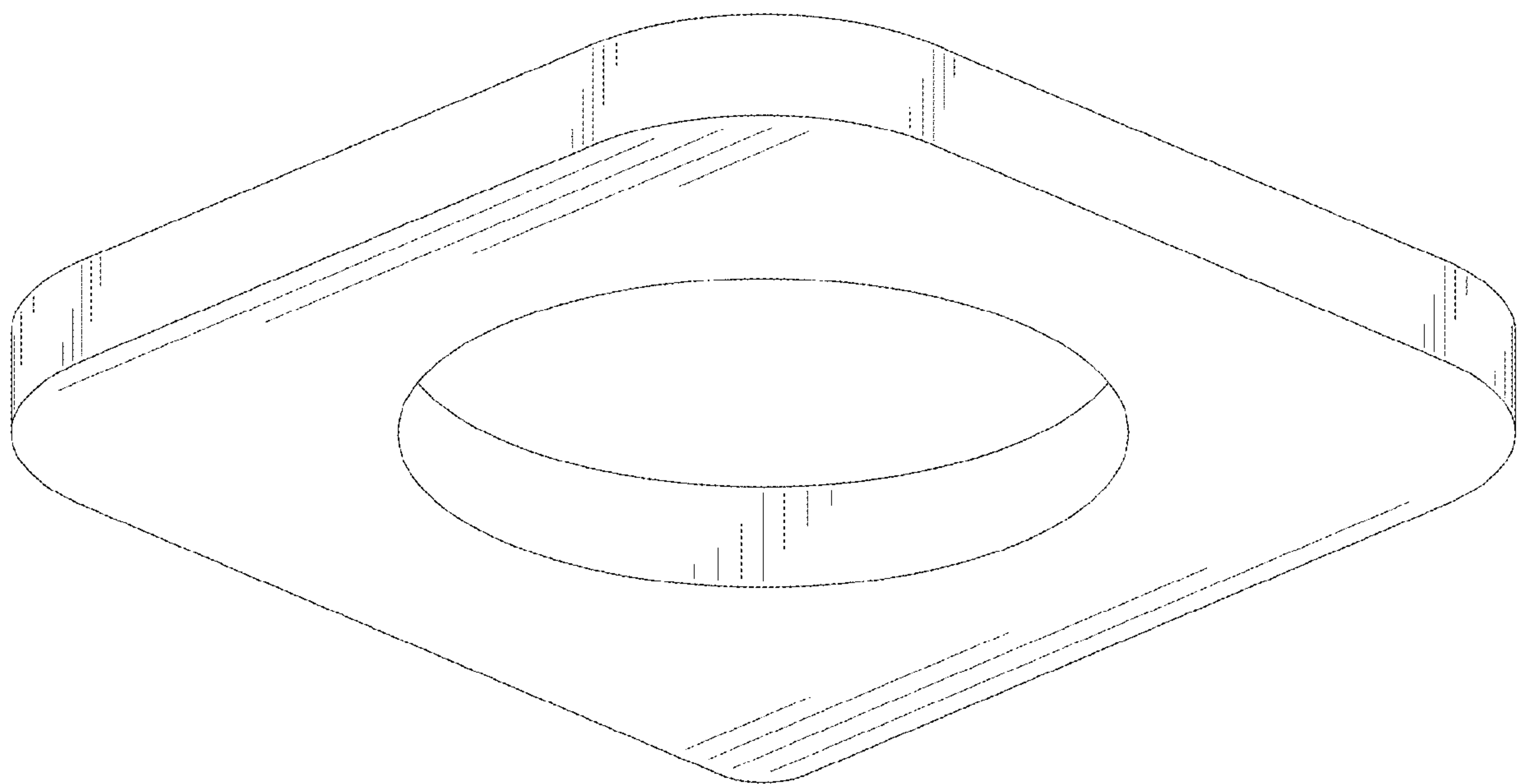


FIG. 11

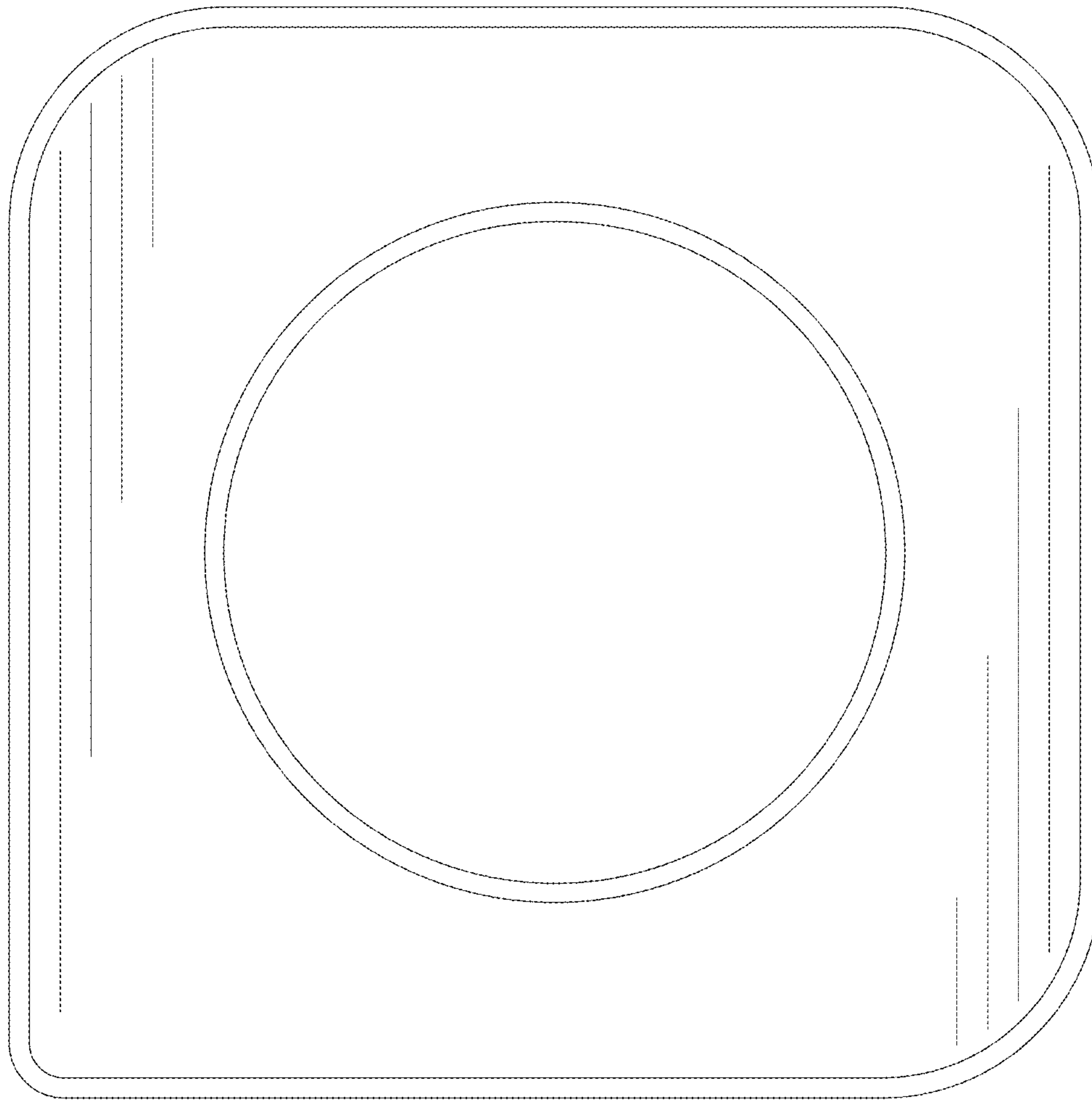


FIG. 12

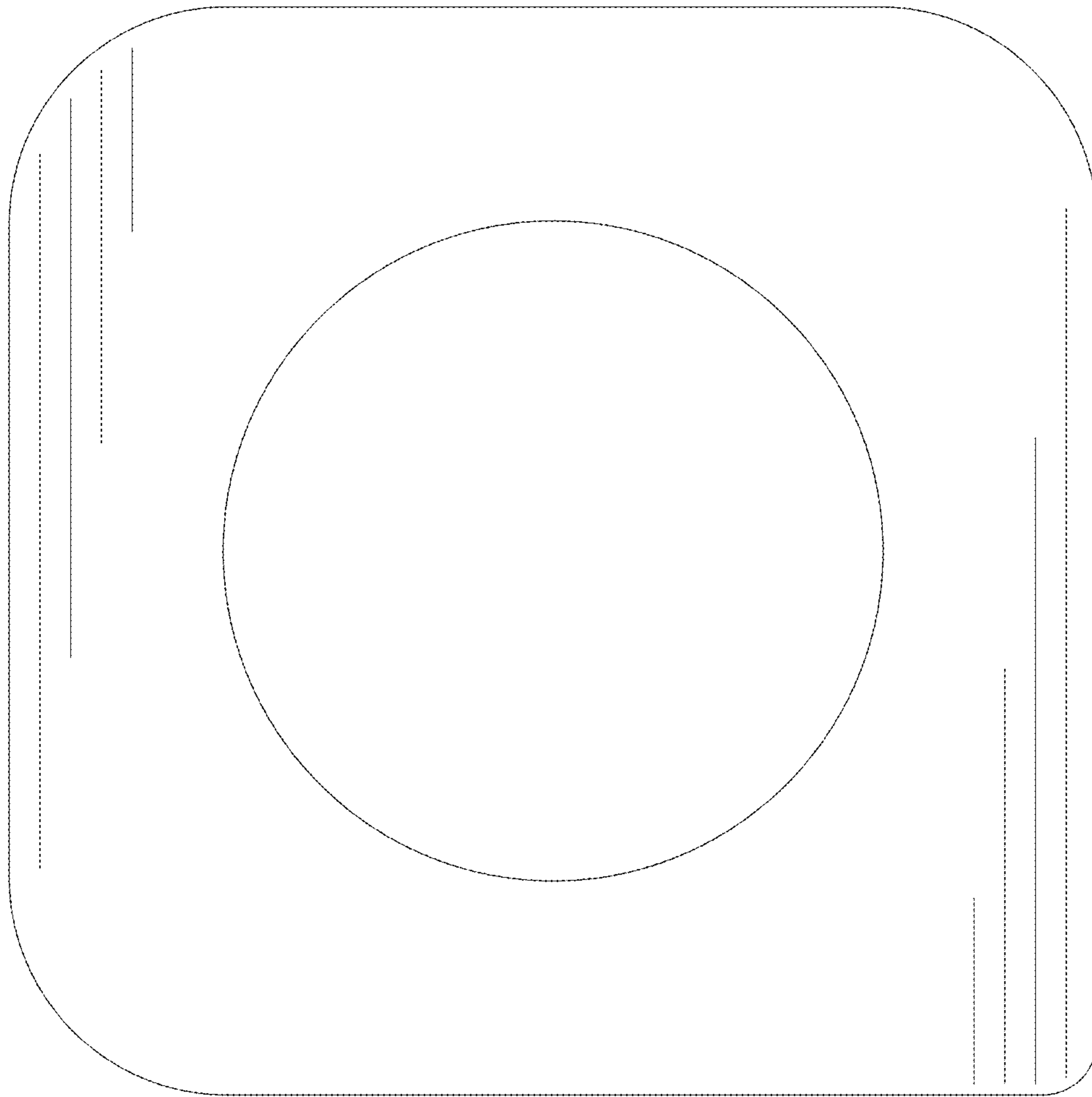


FIG. 13

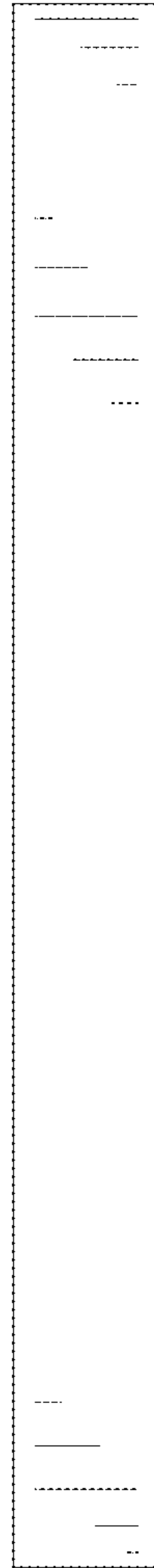


FIG. 14

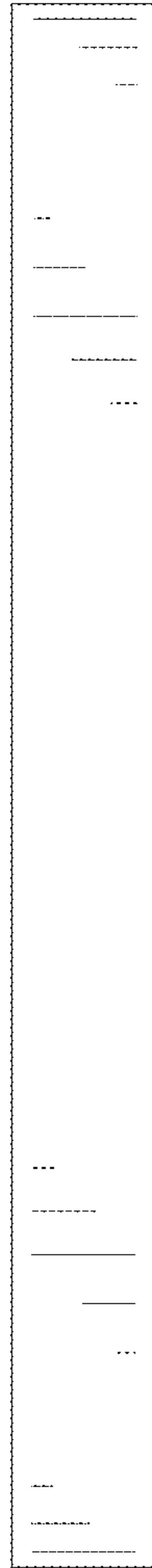


FIG. 15

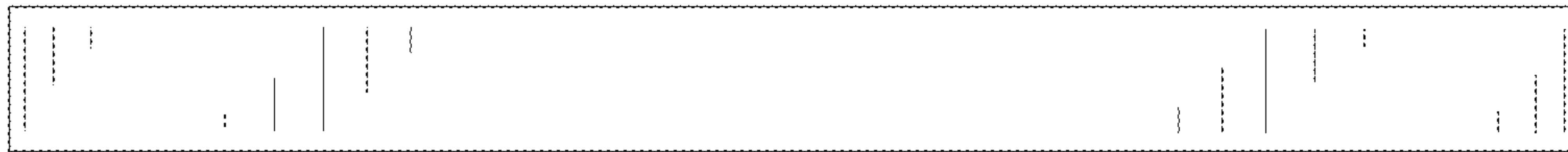


FIG. 16

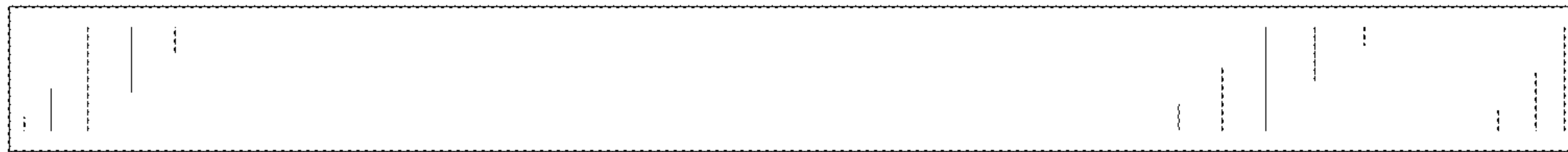


FIG. 17

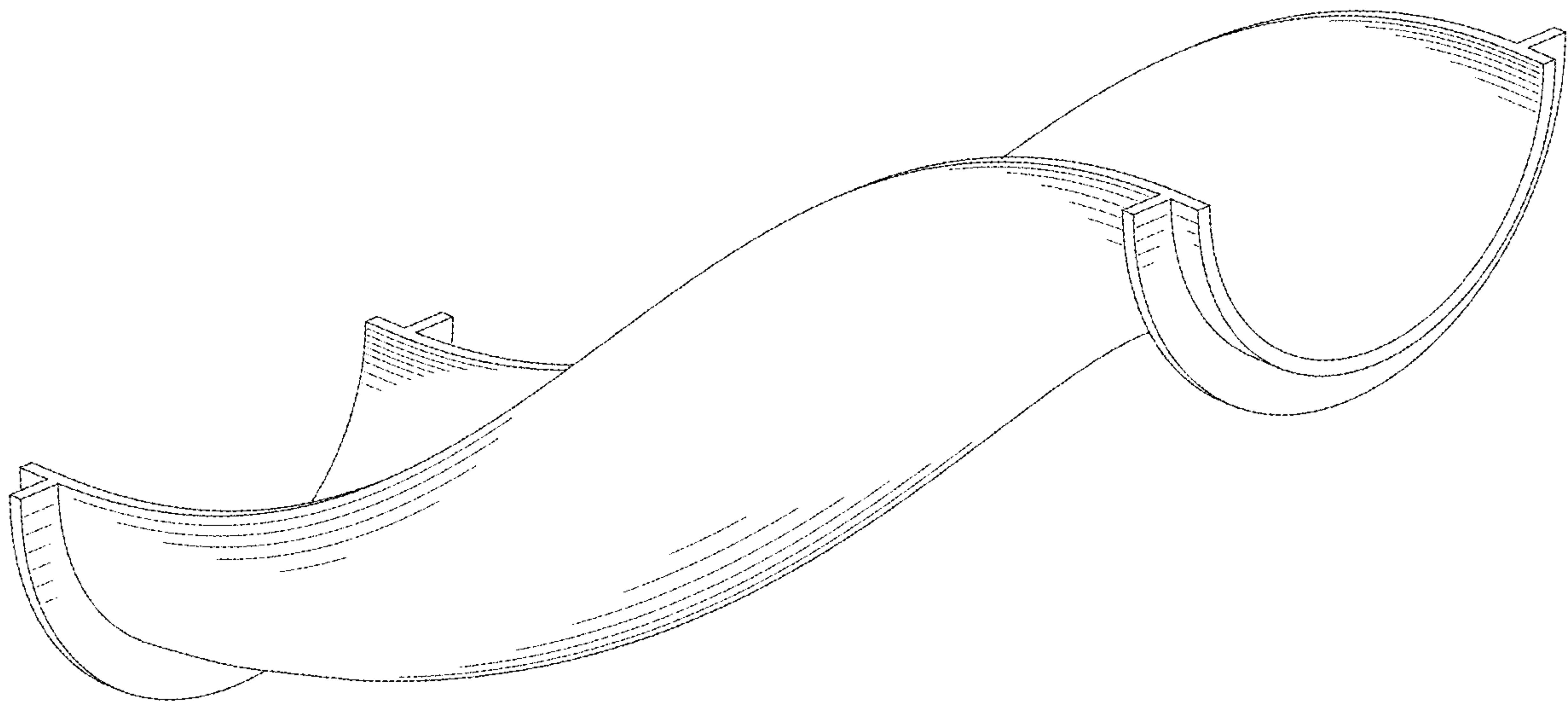


FIG. 18

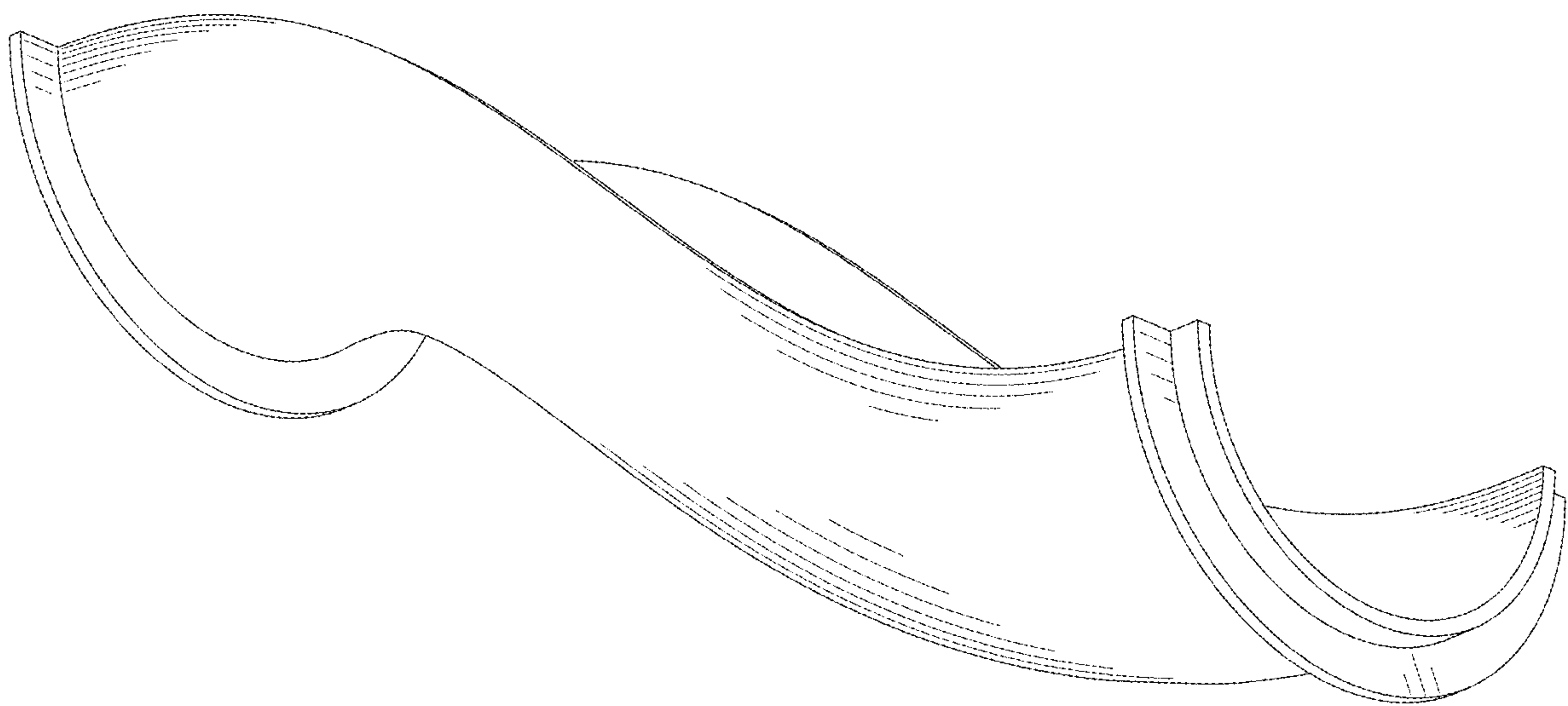


FIG. 19

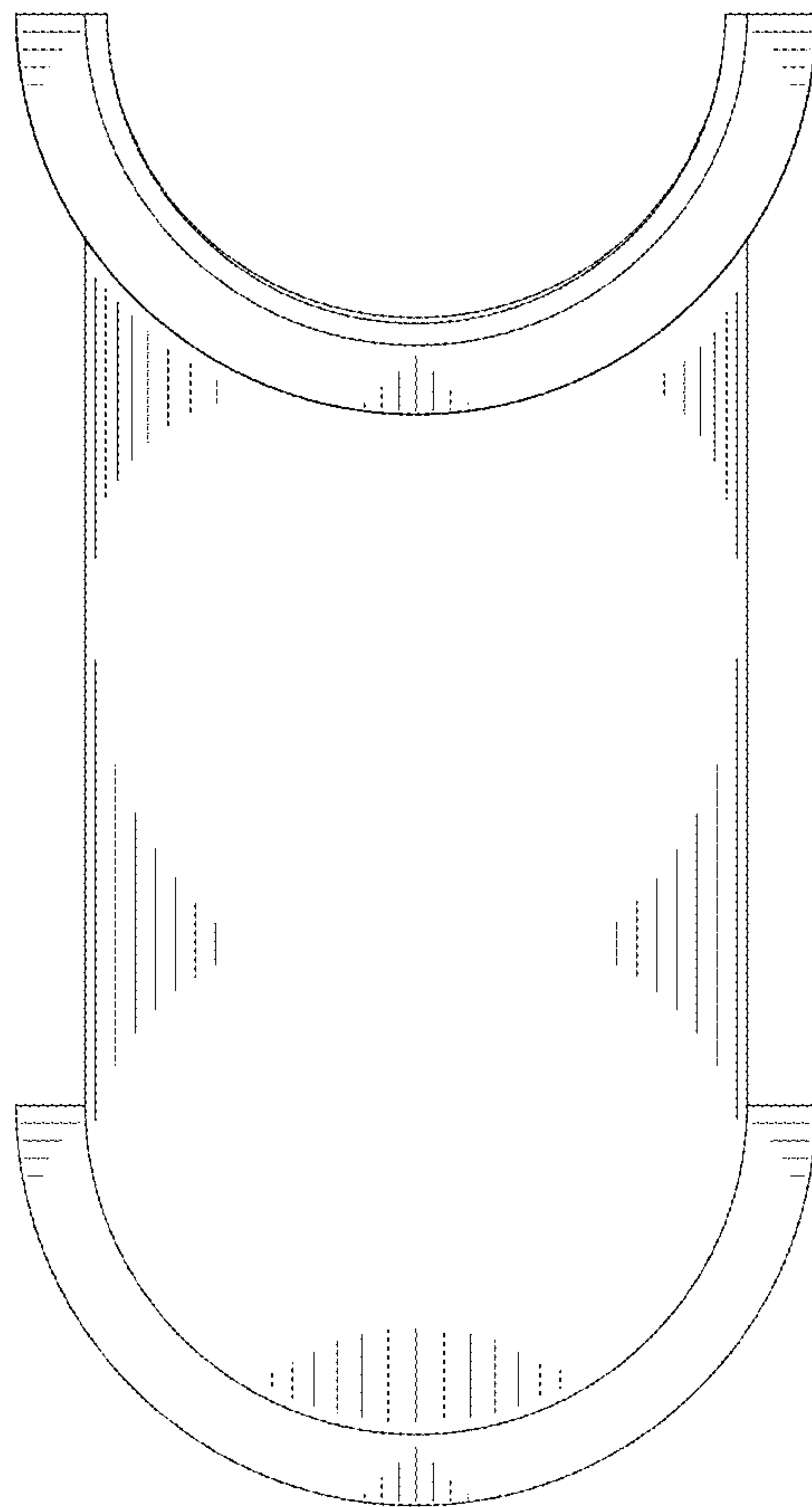


FIG. 20

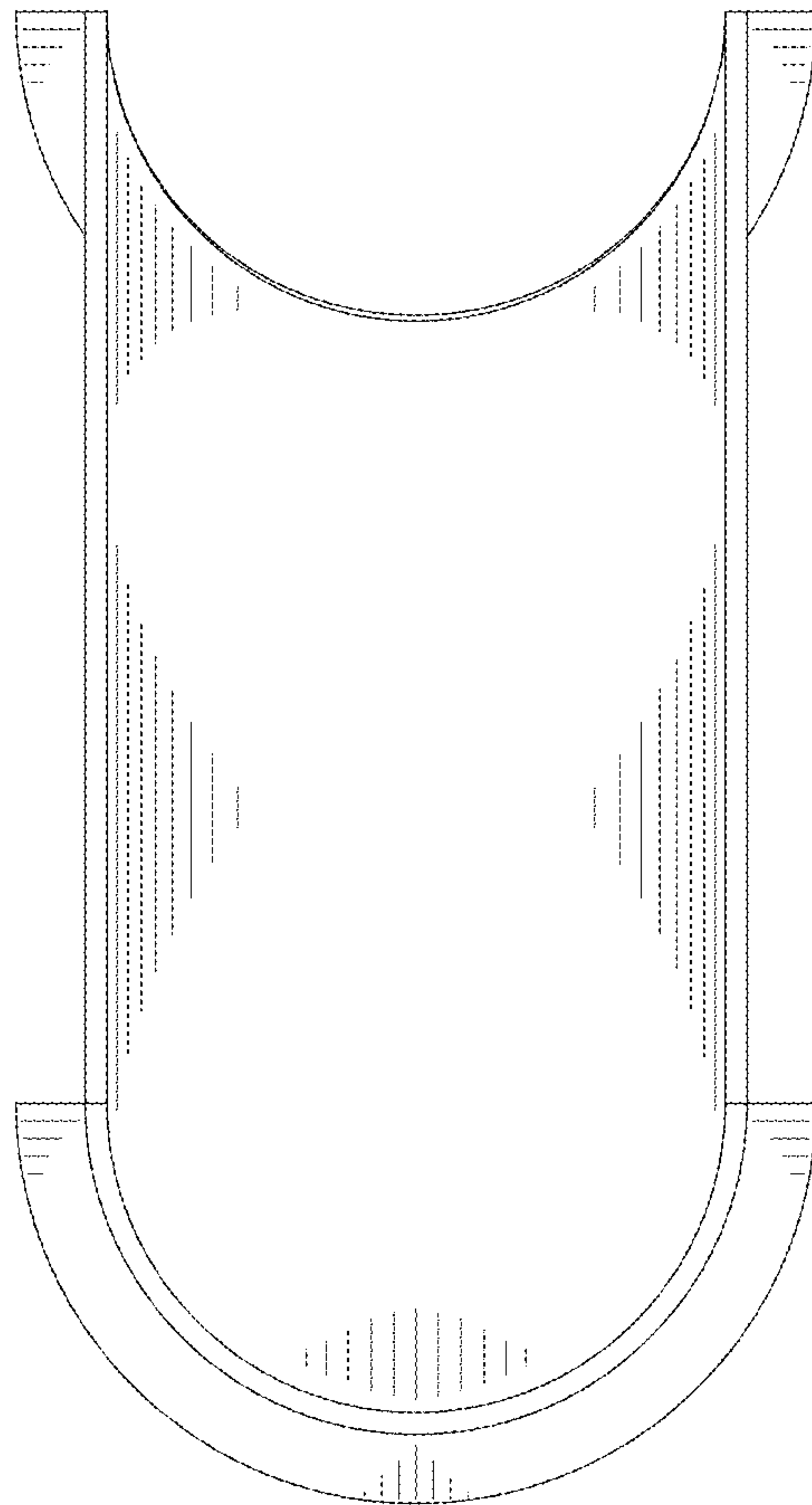


FIG. 21

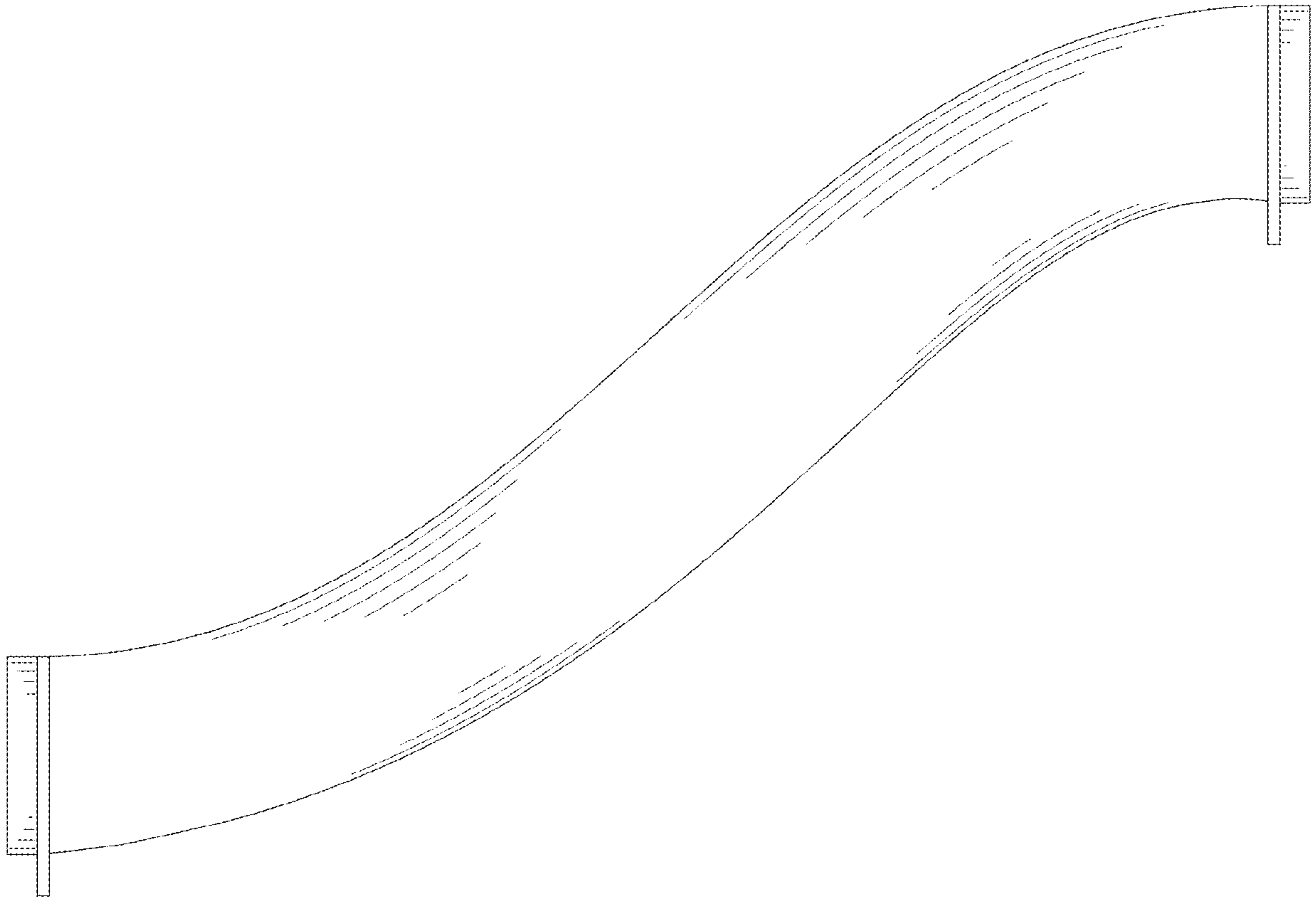


FIG. 22

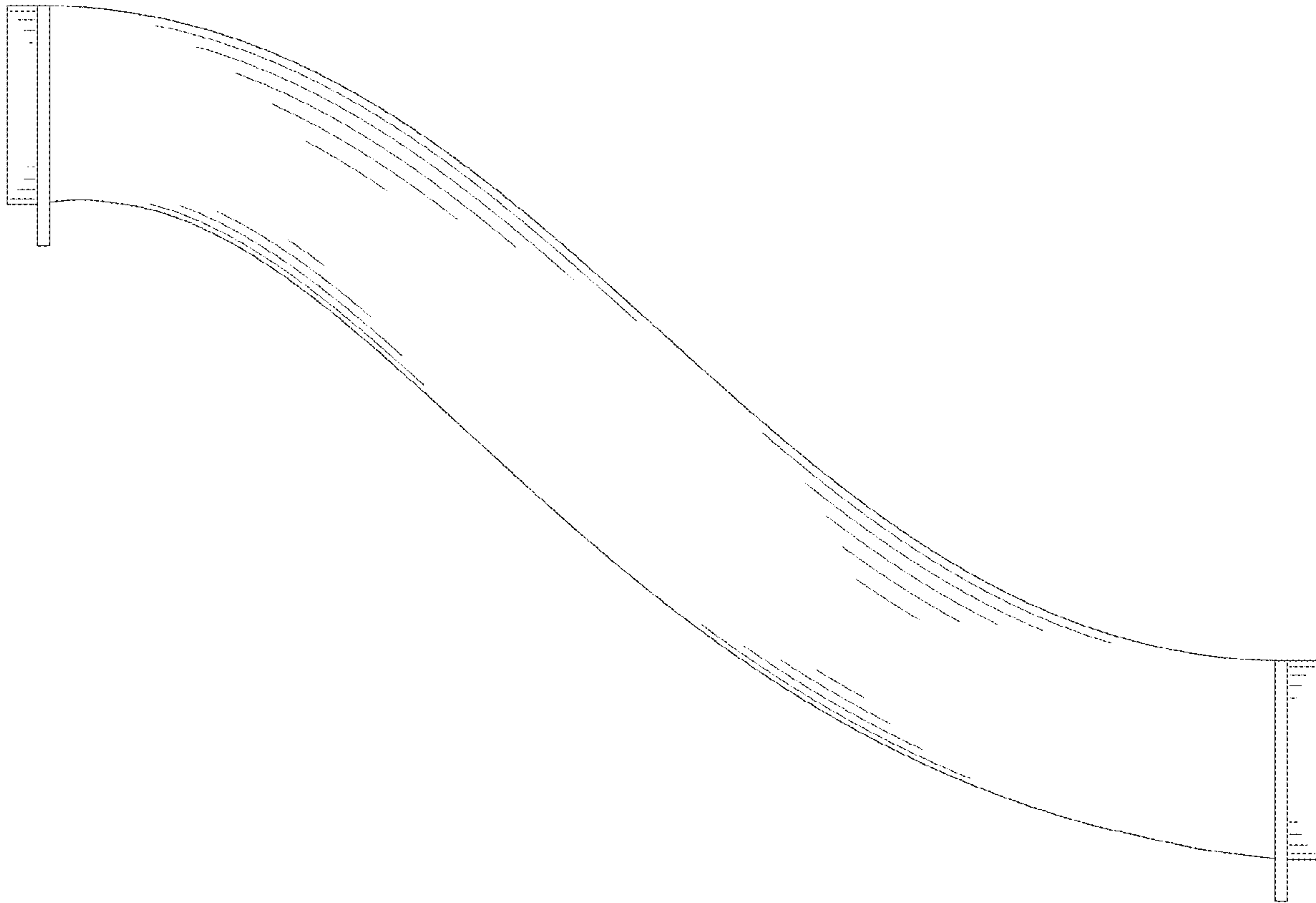


FIG. 23

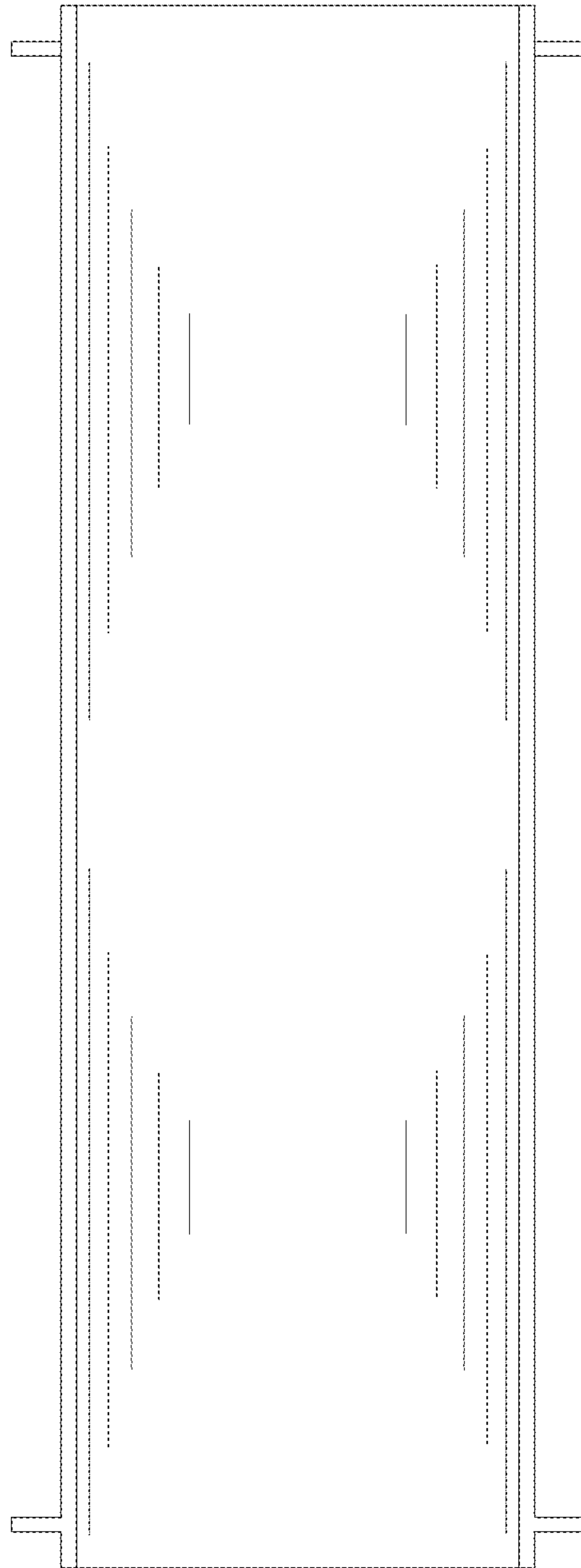


FIG. 24

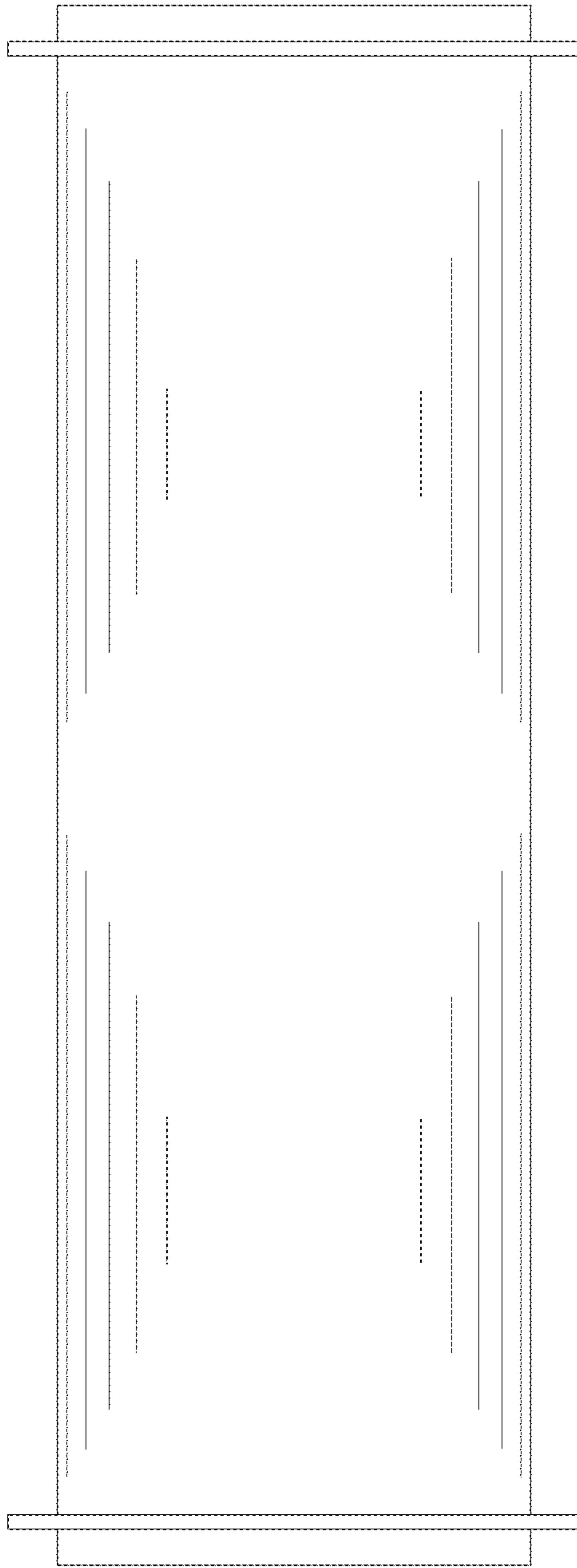


FIG. 25

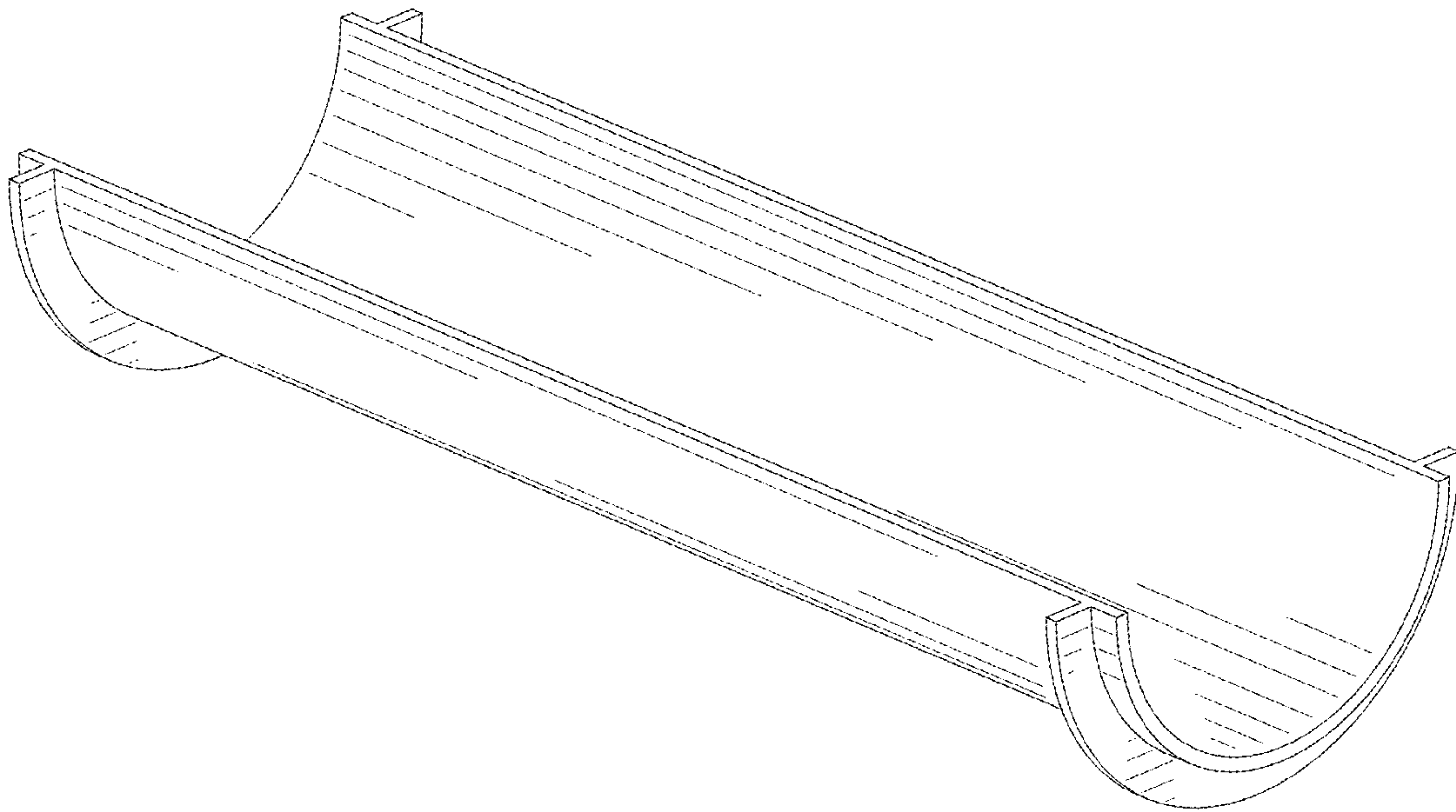


FIG.26

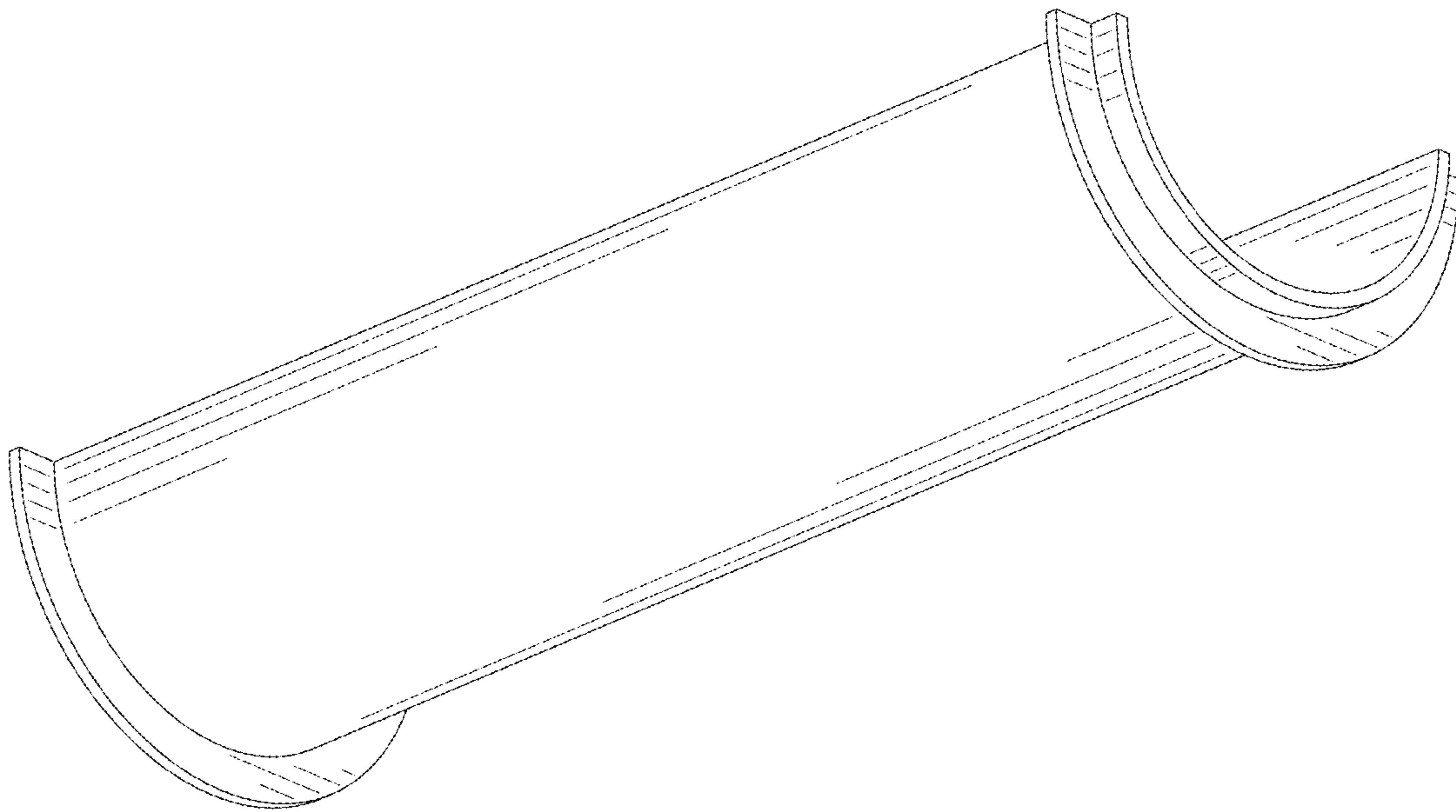


FIG. 27

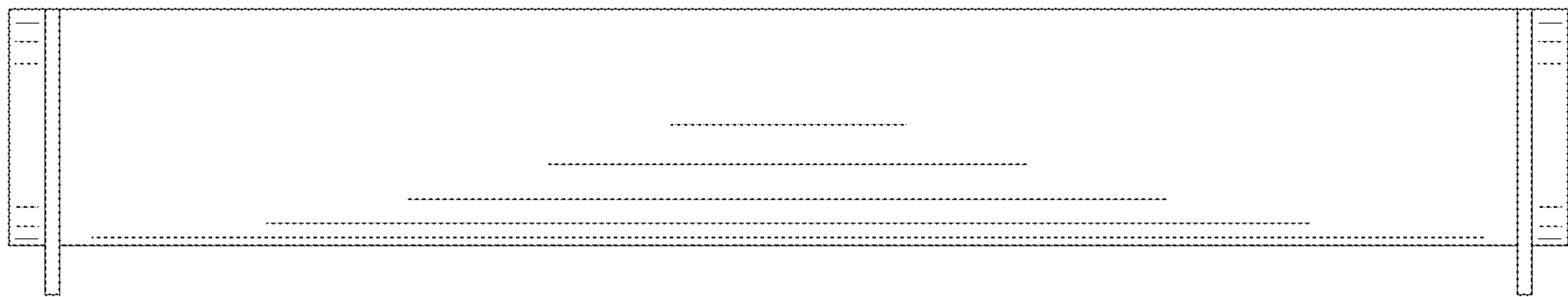


FIG. 28

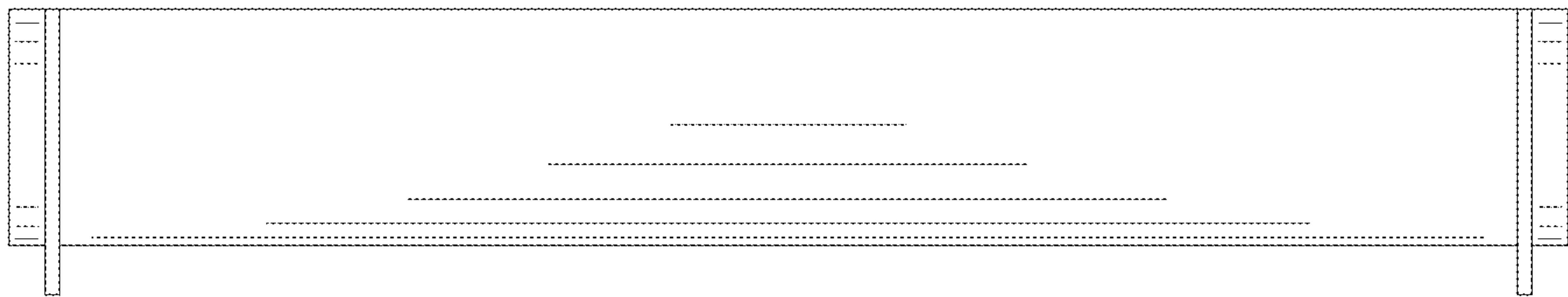


FIG. 29

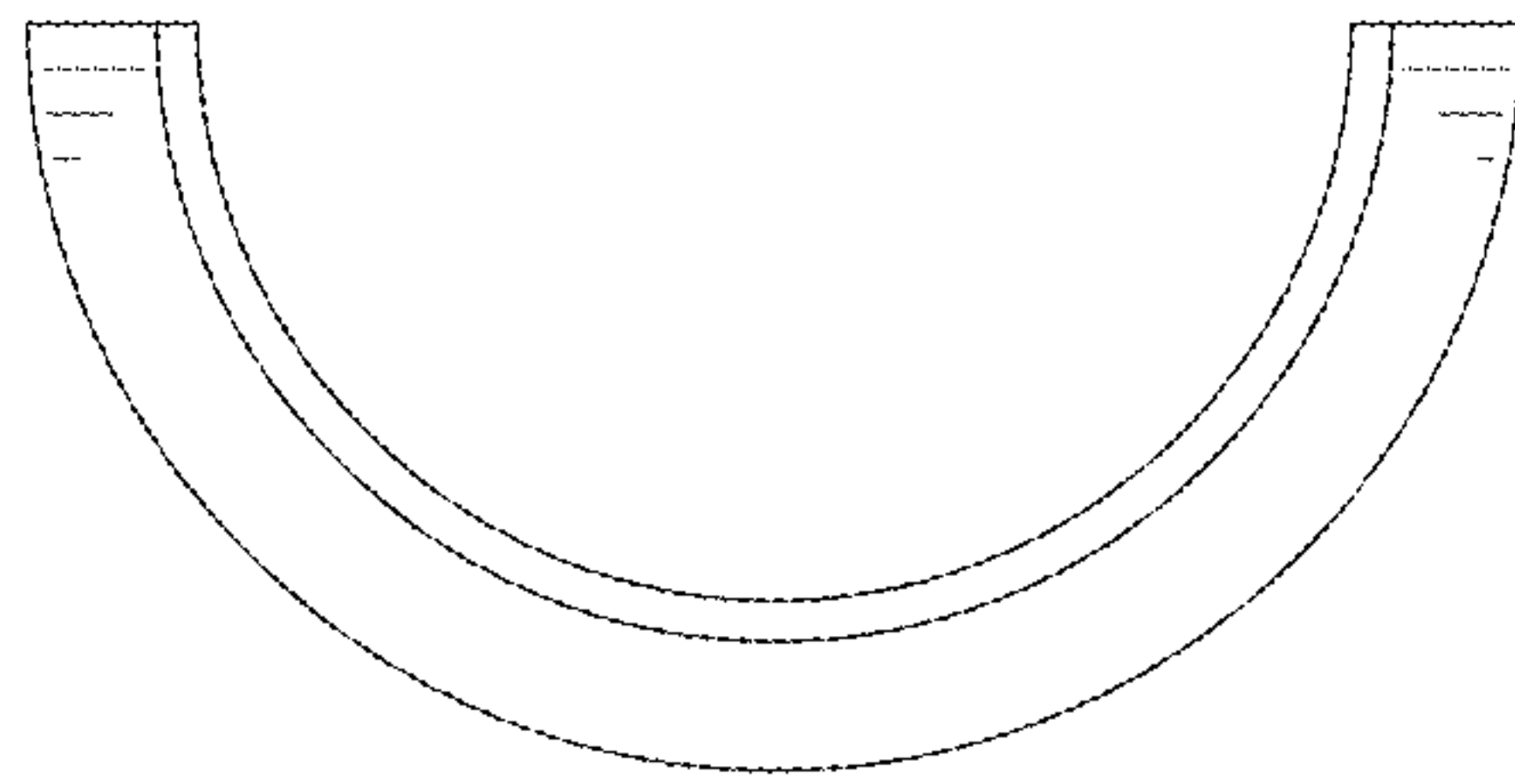


FIG. 30

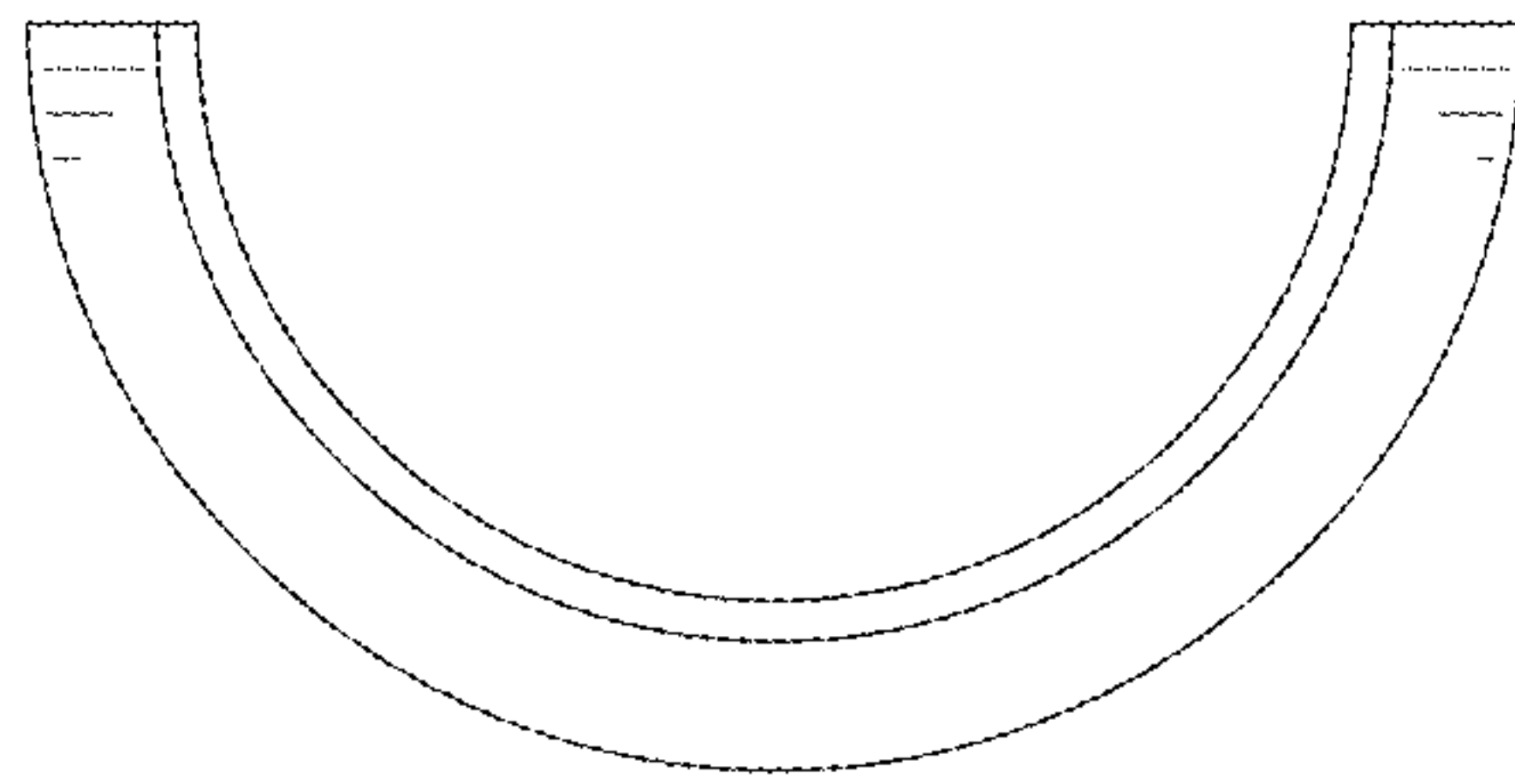


FIG. 31

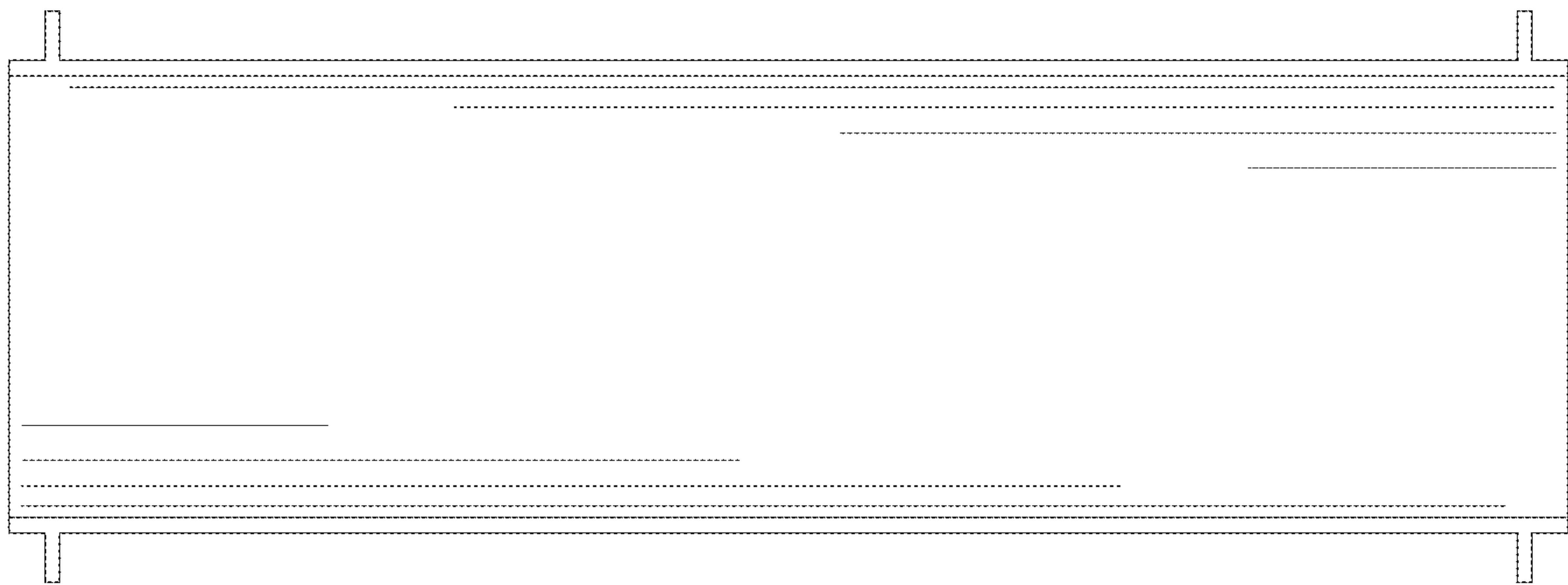


FIG. 32

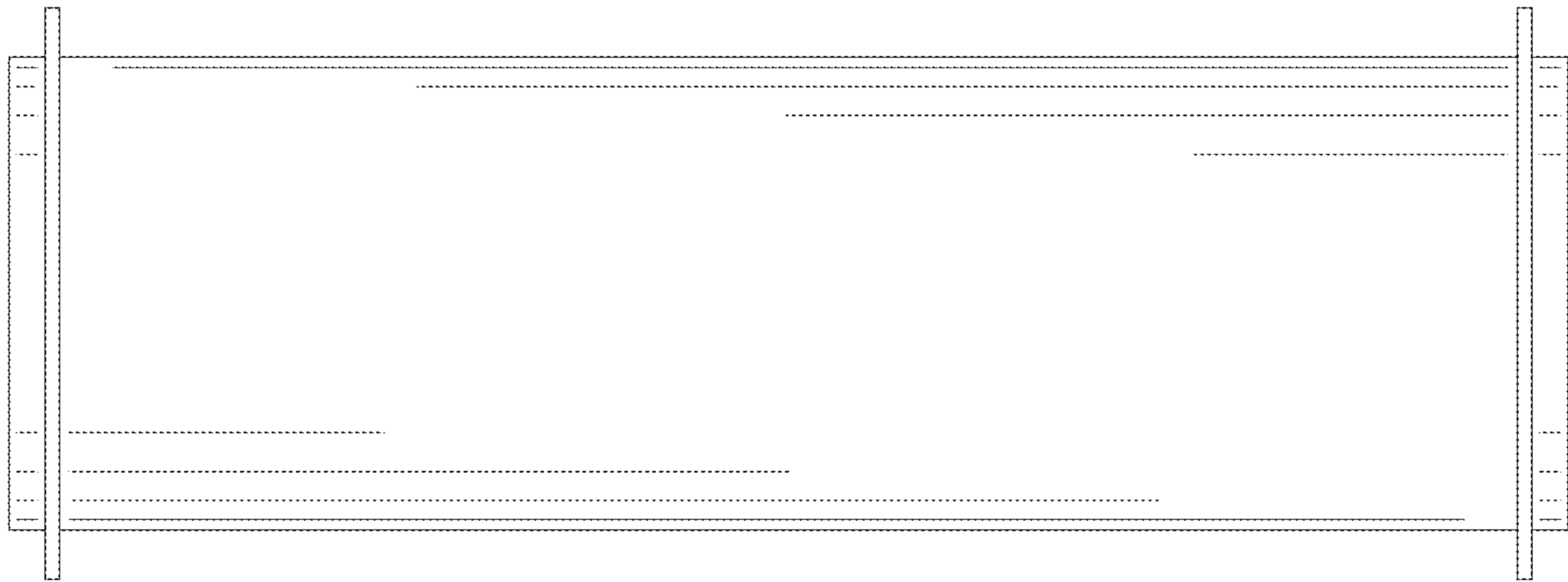


FIG.33

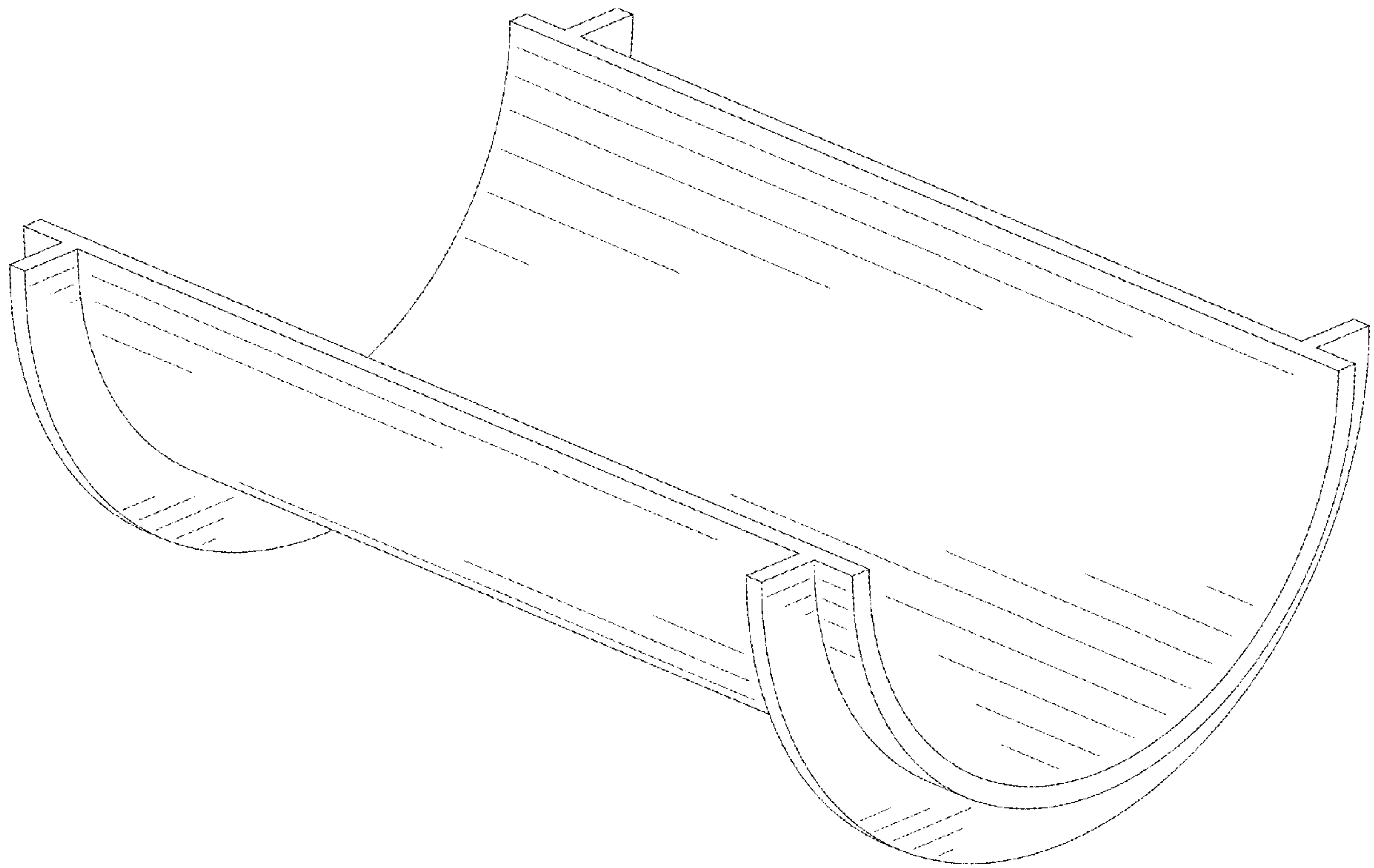


FIG. 34

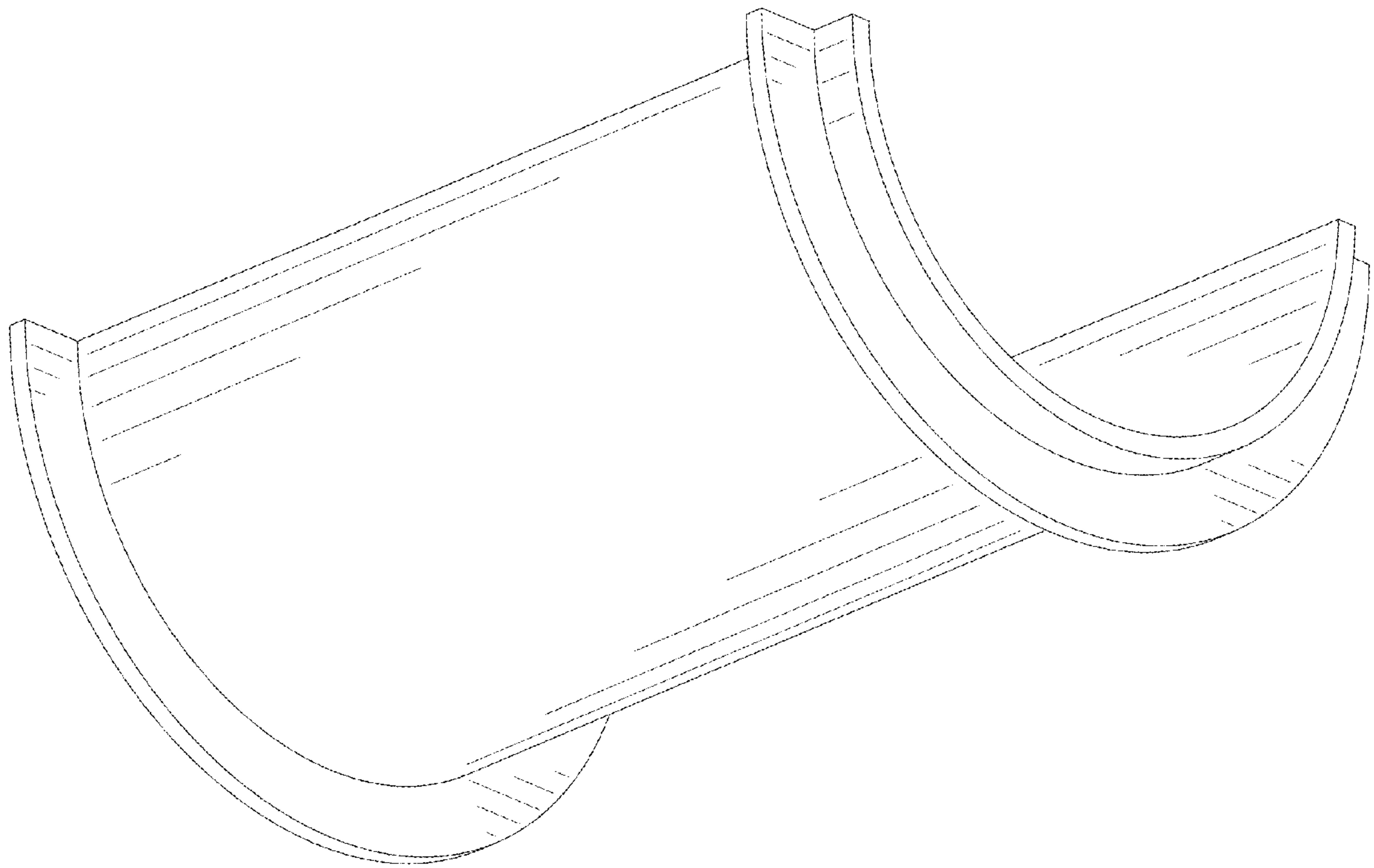


FIG. 35

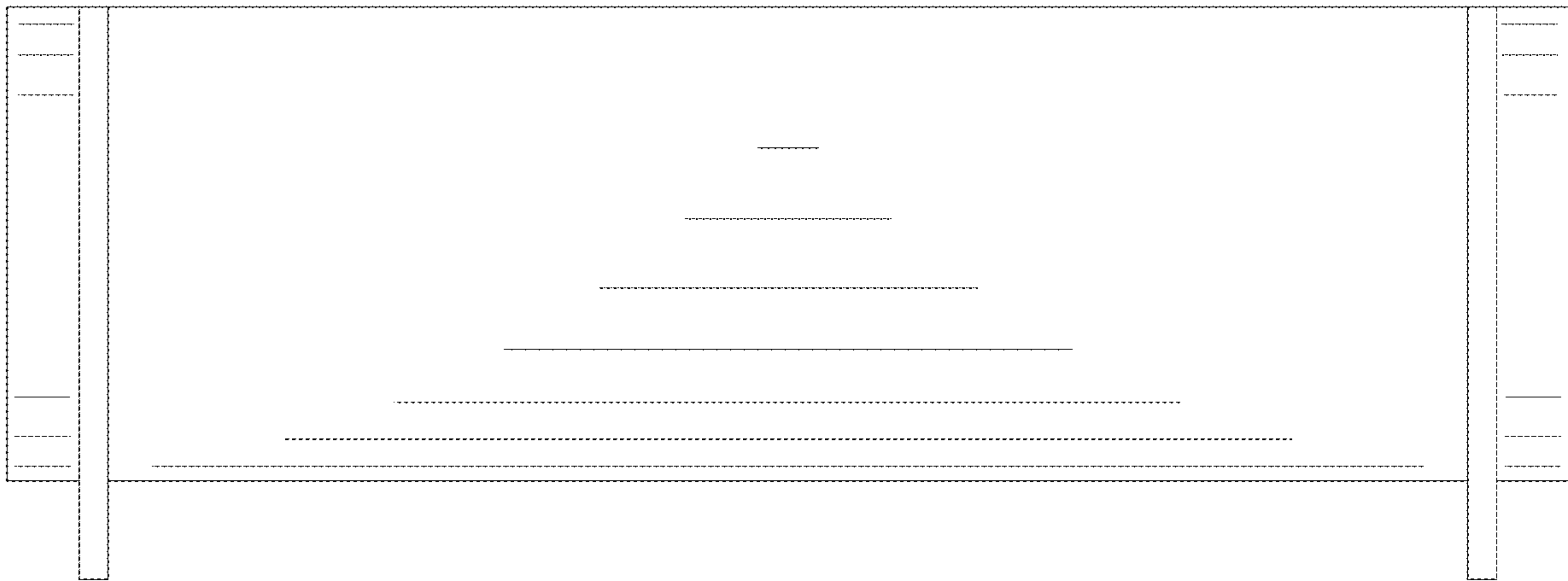


FIG. 36

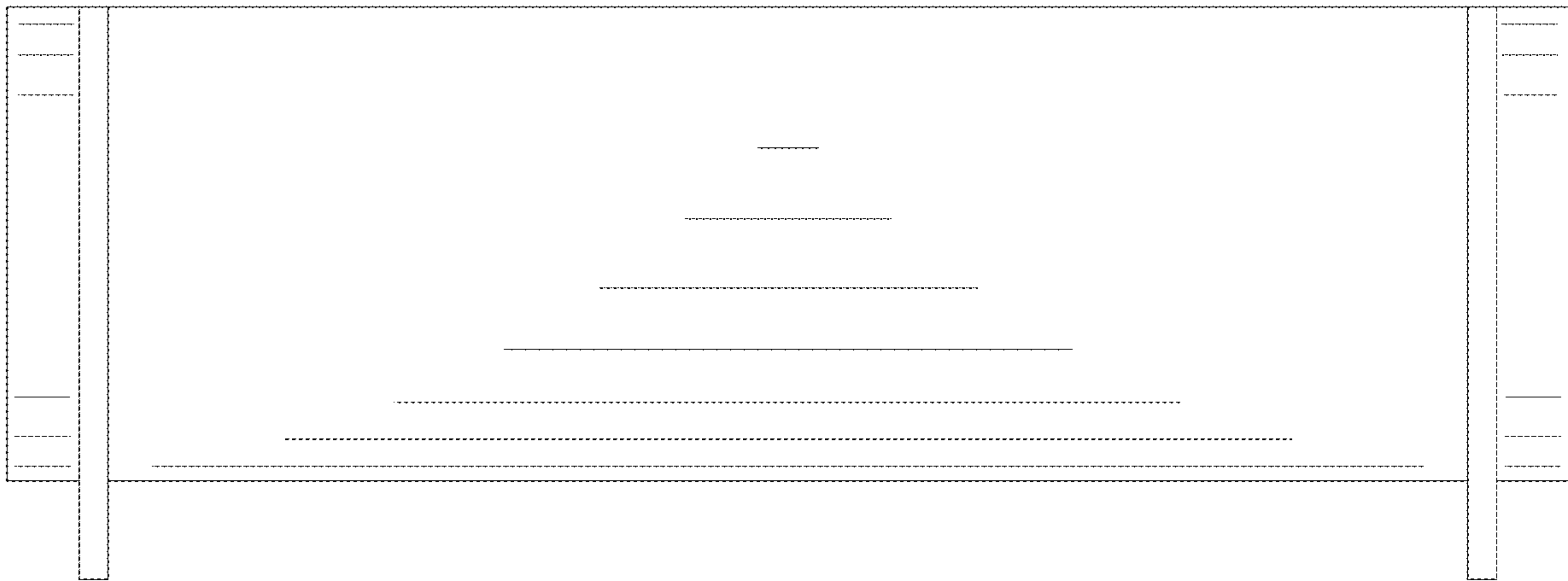


FIG.37

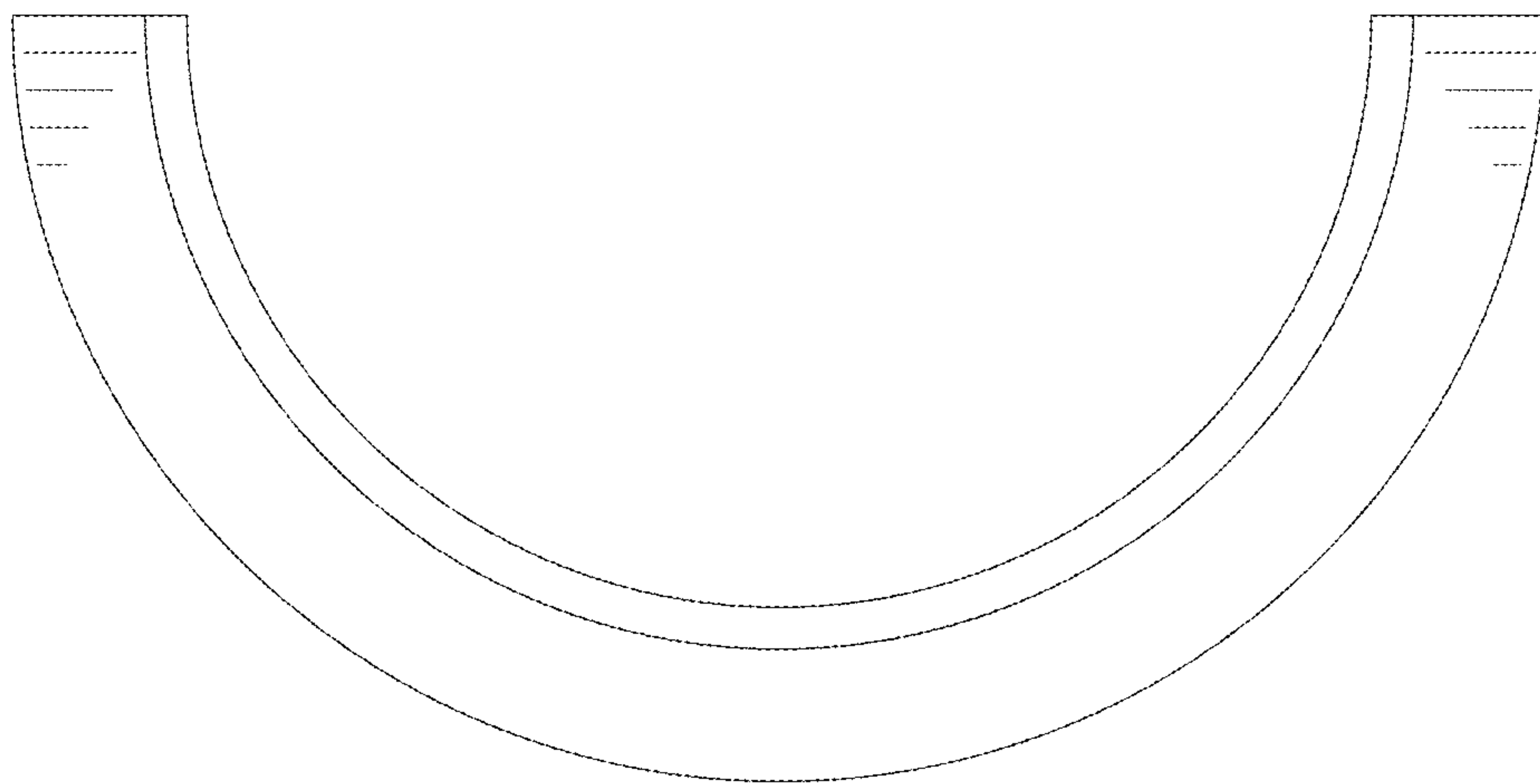


FIG. 38

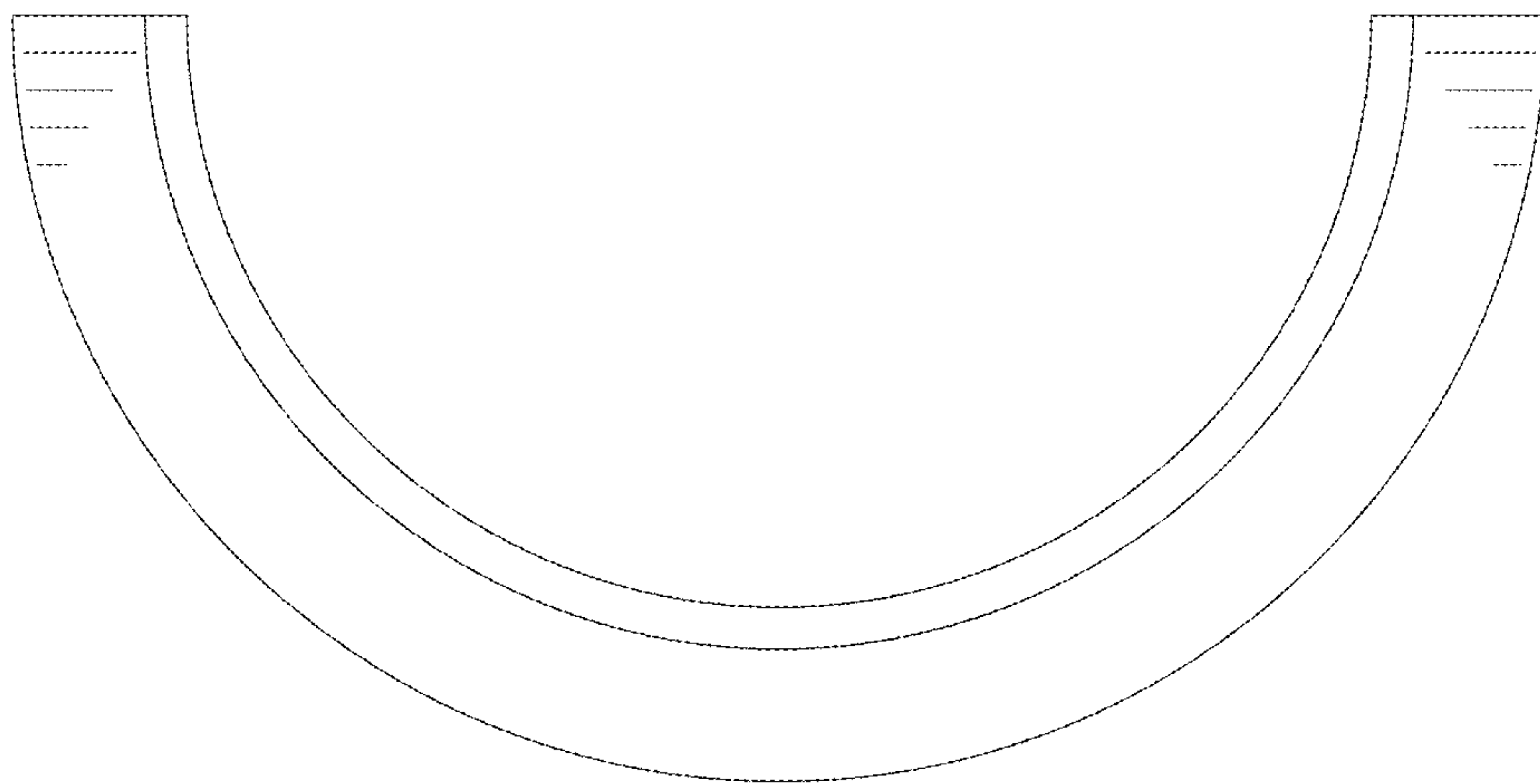


FIG. 39

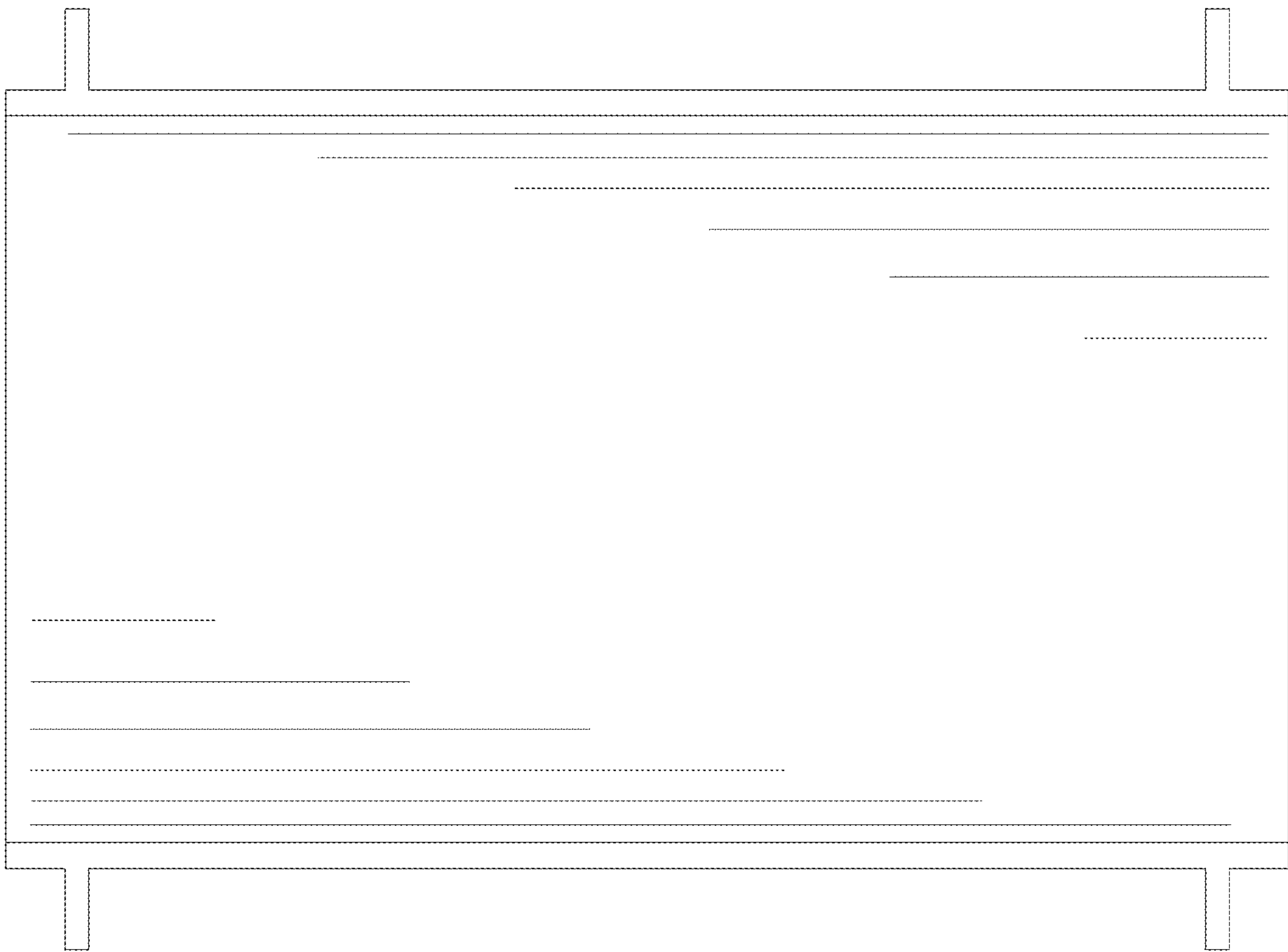


FIG. 40



FIG. 41

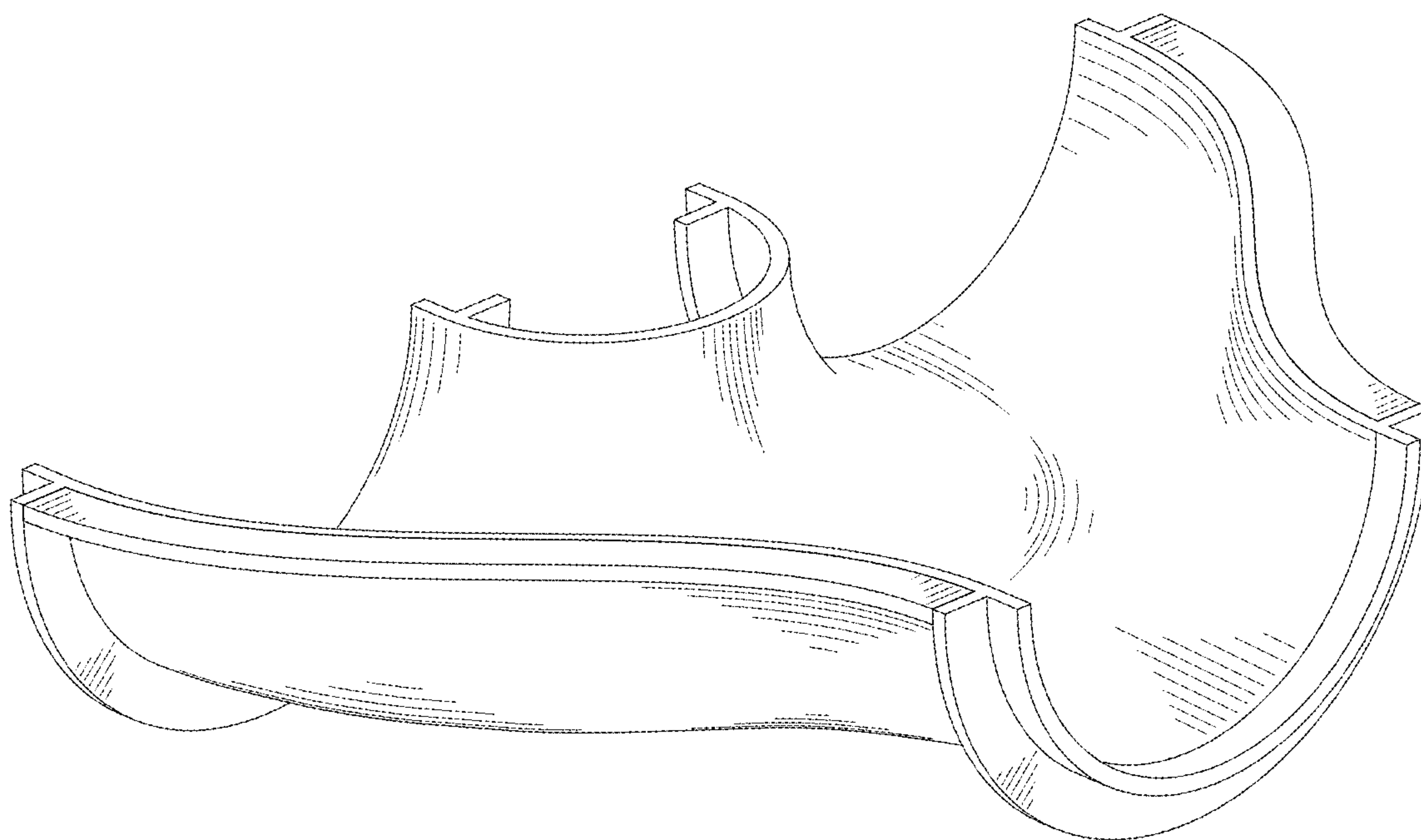


FIG. 42

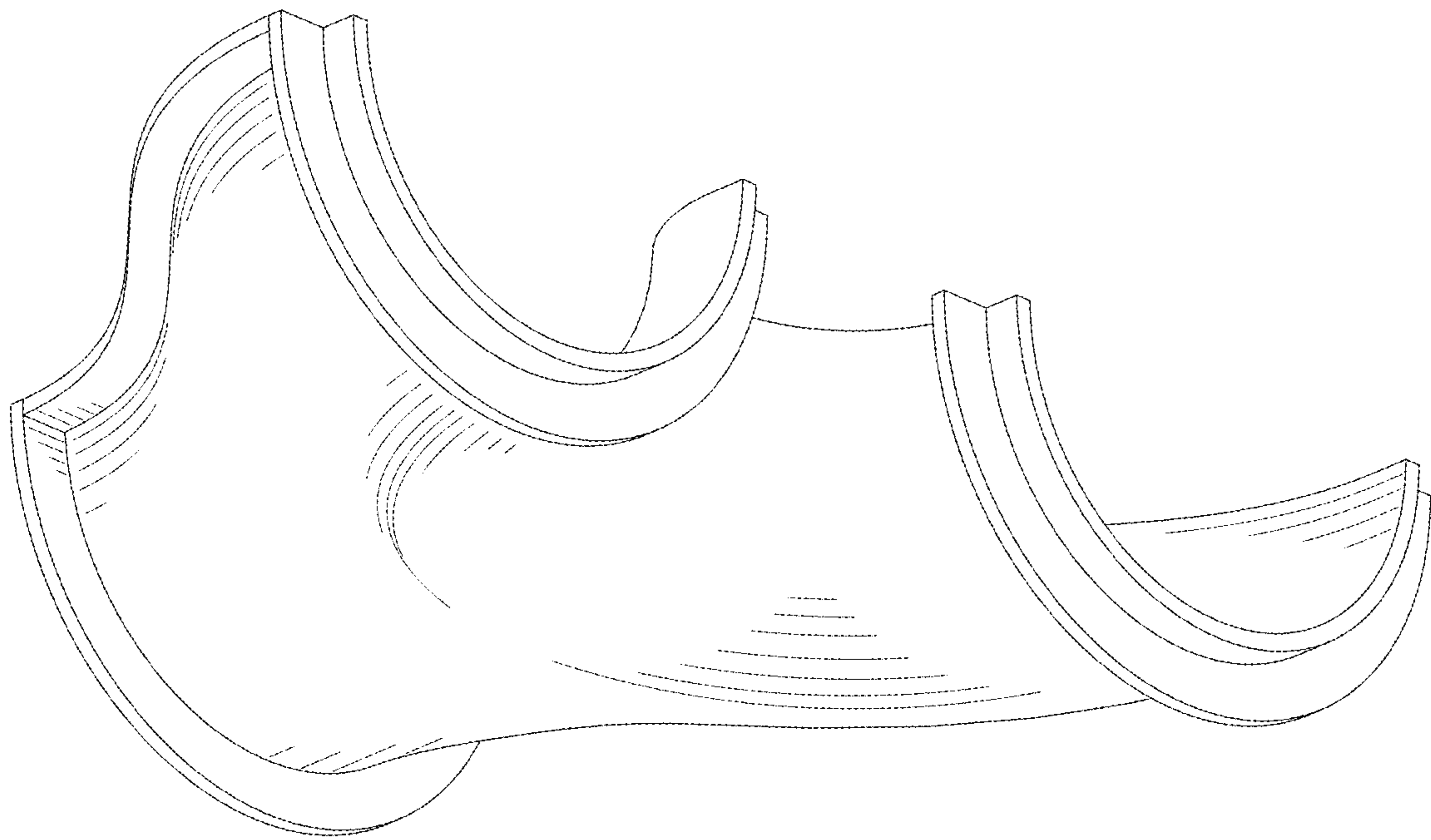


FIG.43

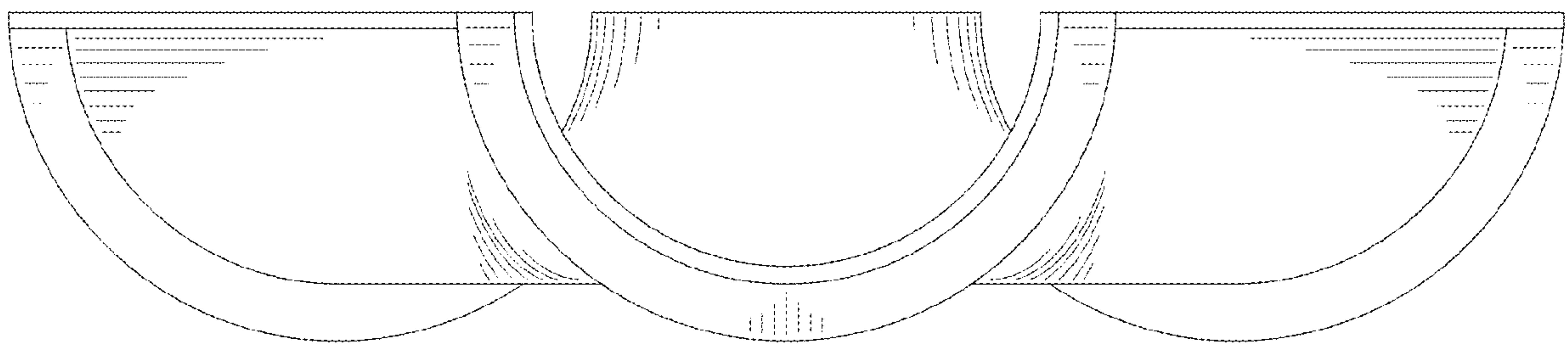


FIG. 44

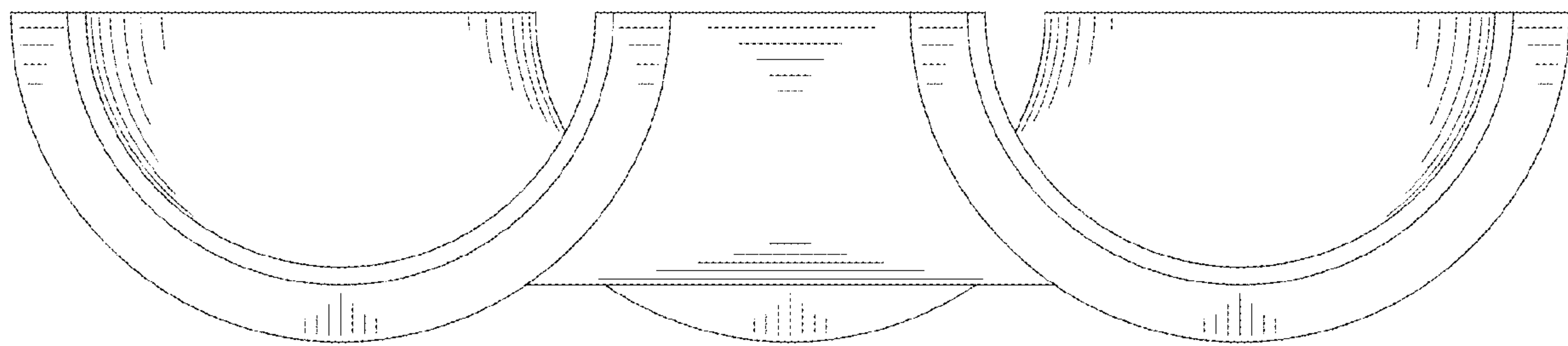


FIG. 45

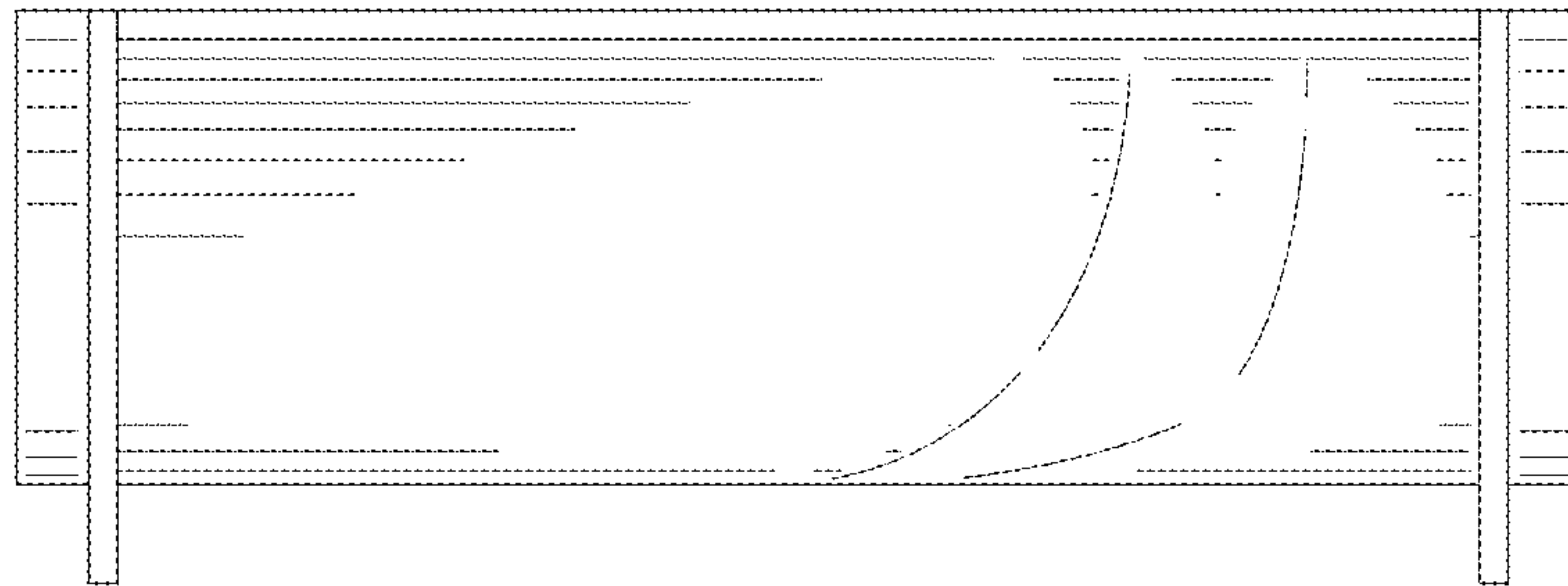


FIG. 46

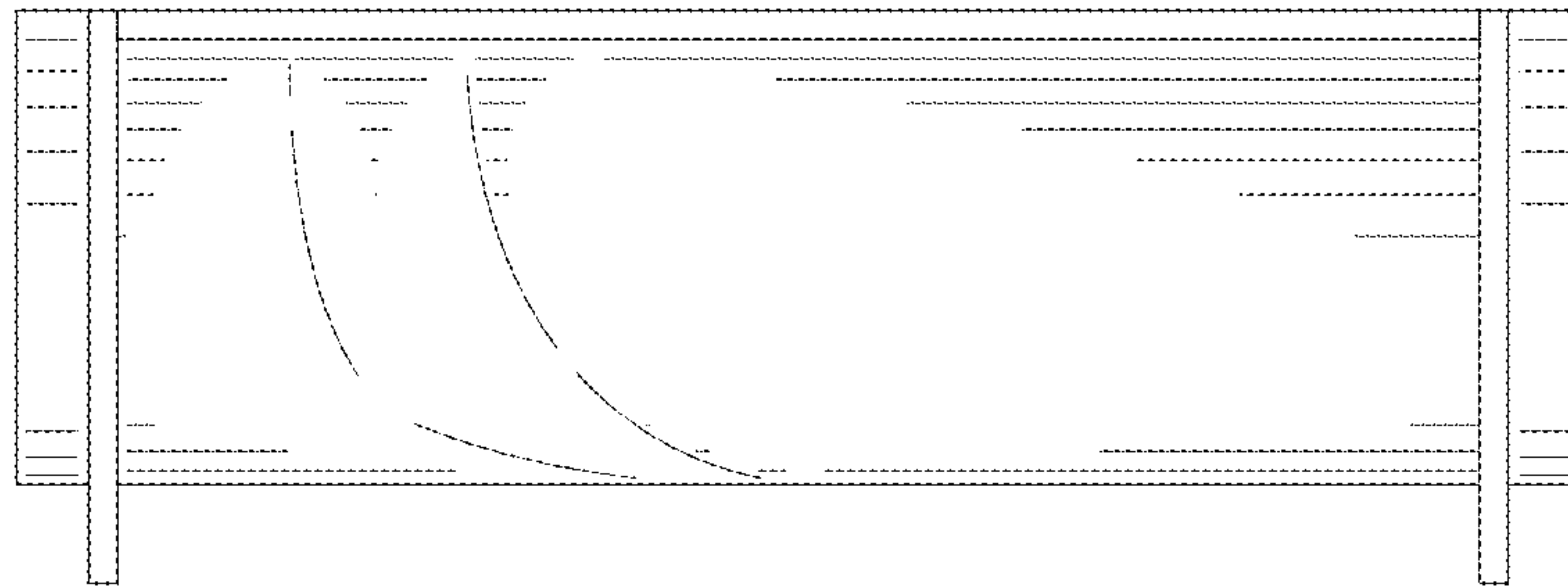


FIG.47

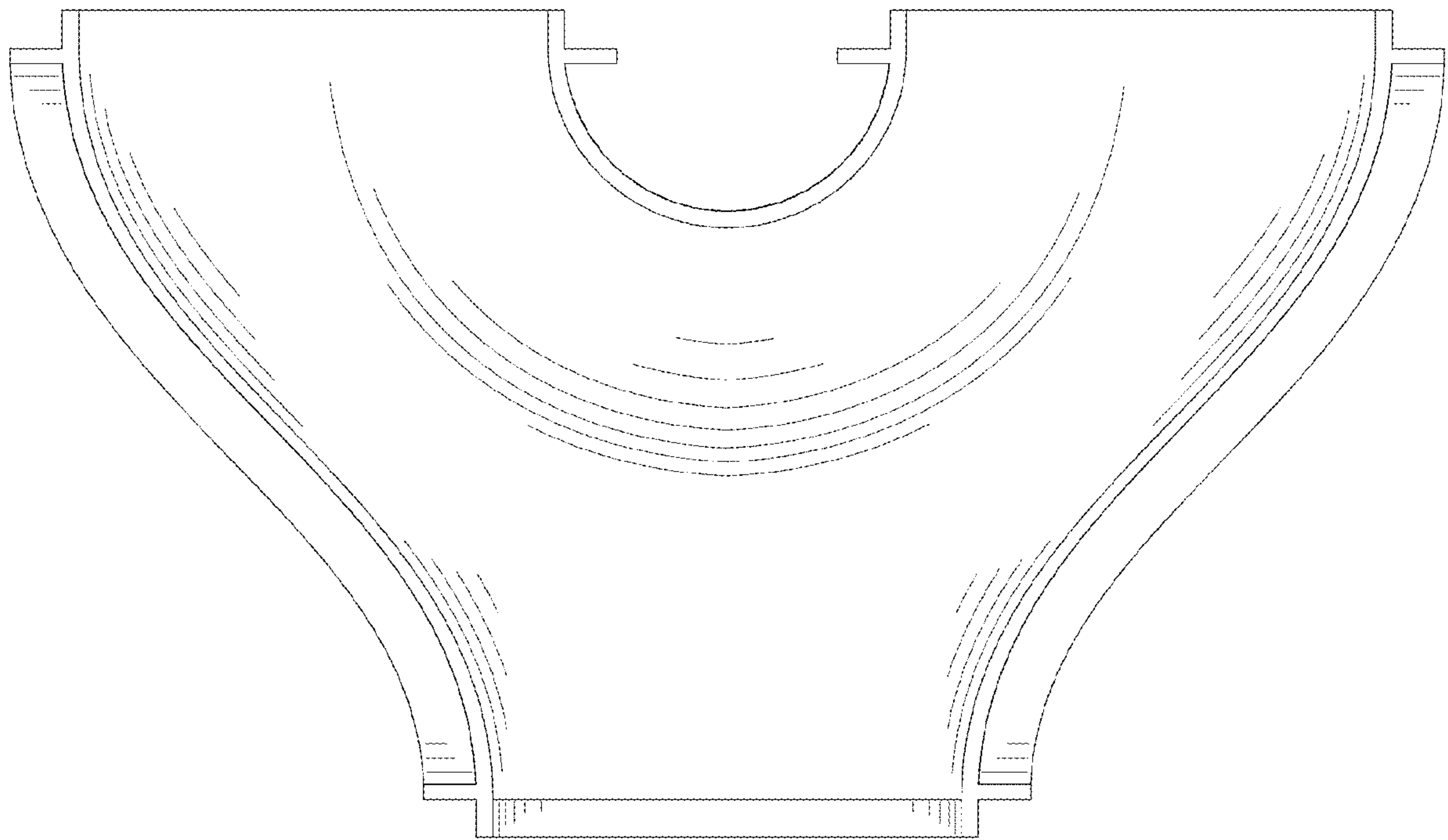


FIG. 48

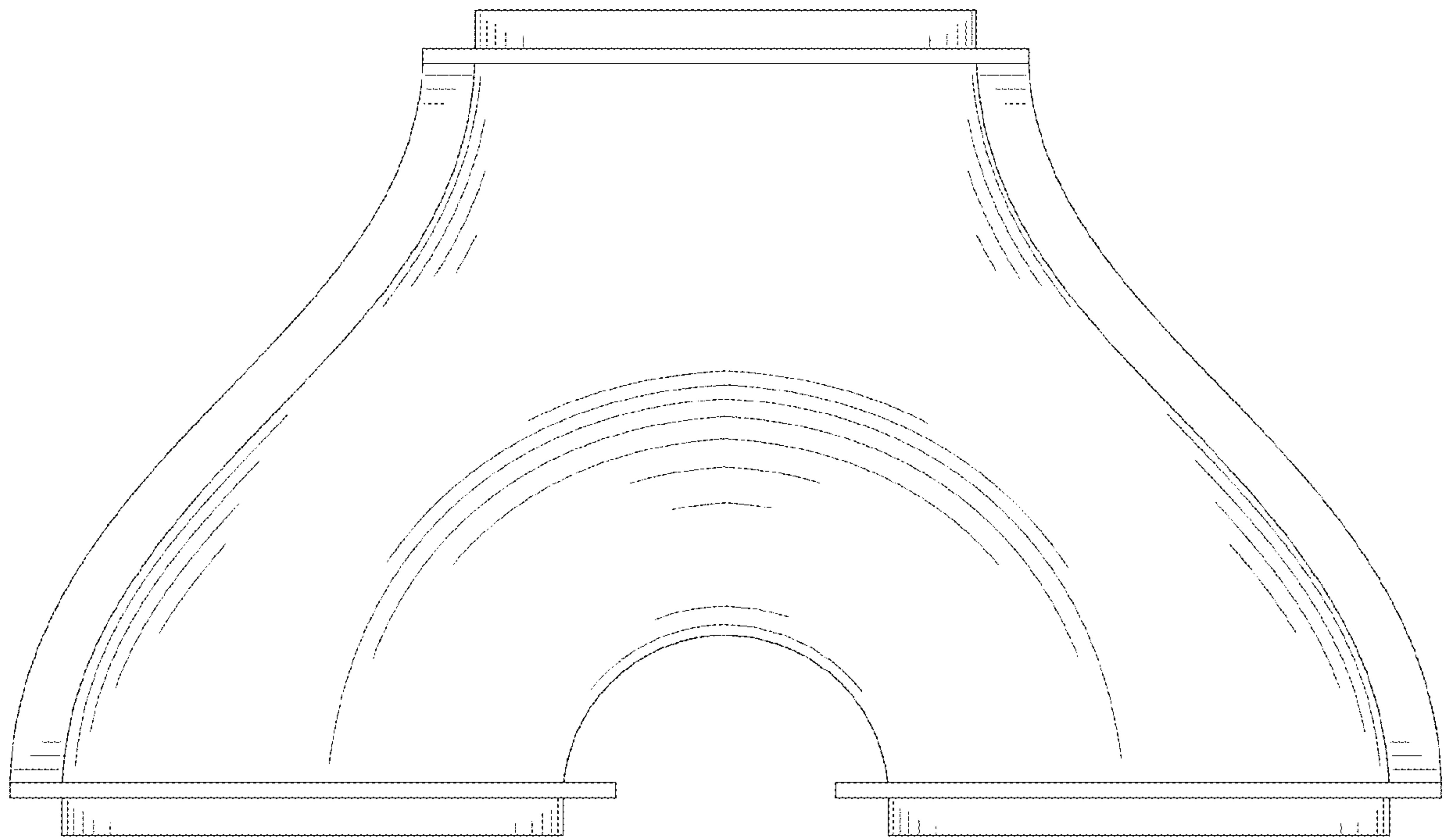


FIG. 49

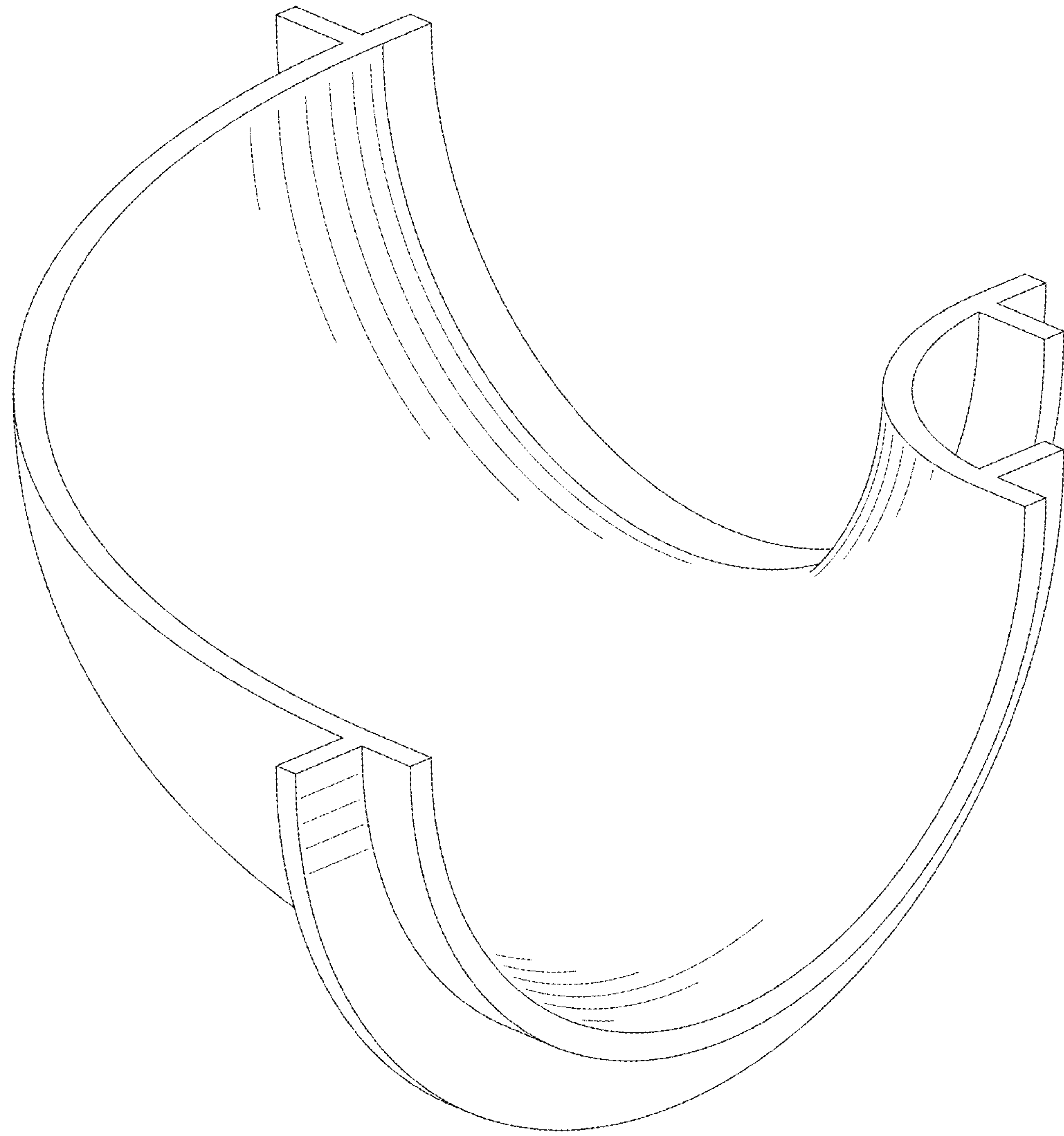


FIG. 50

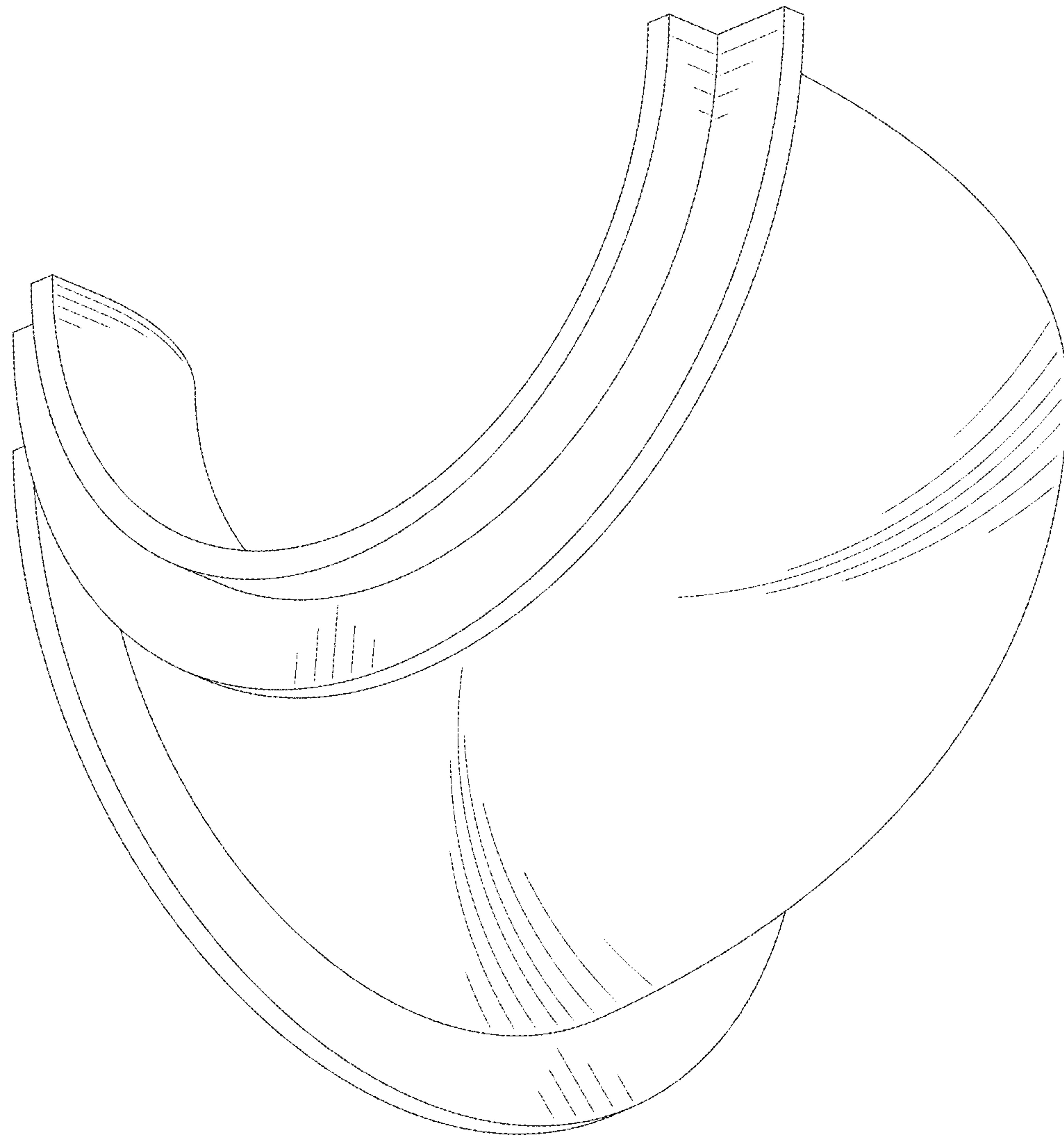


FIG. 51

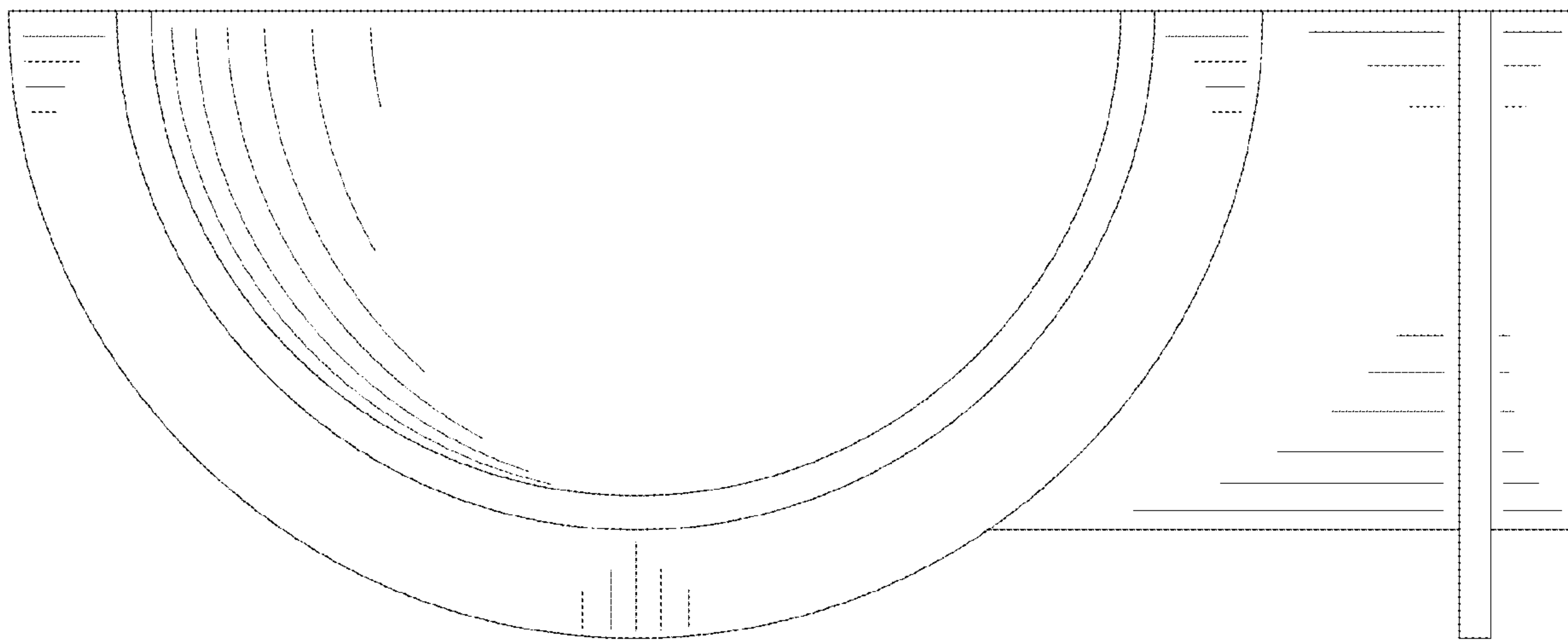


FIG. 52

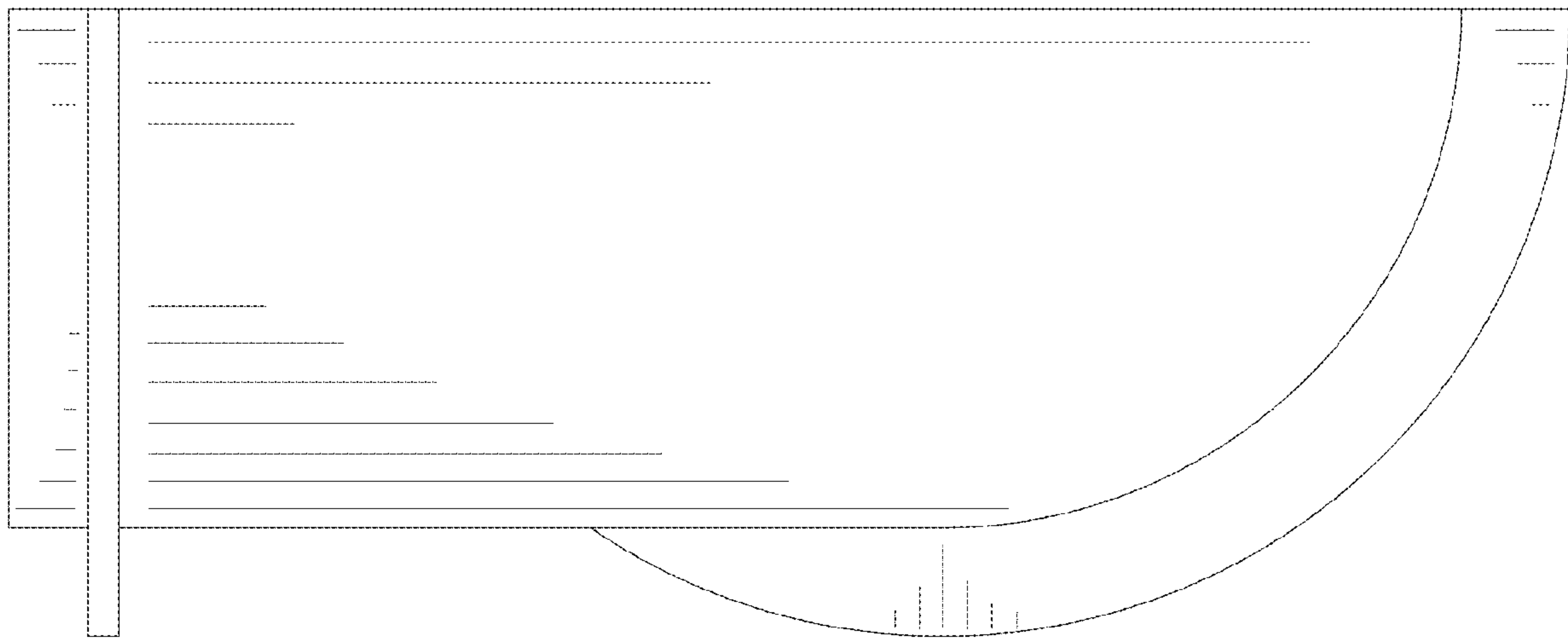


FIG. 53

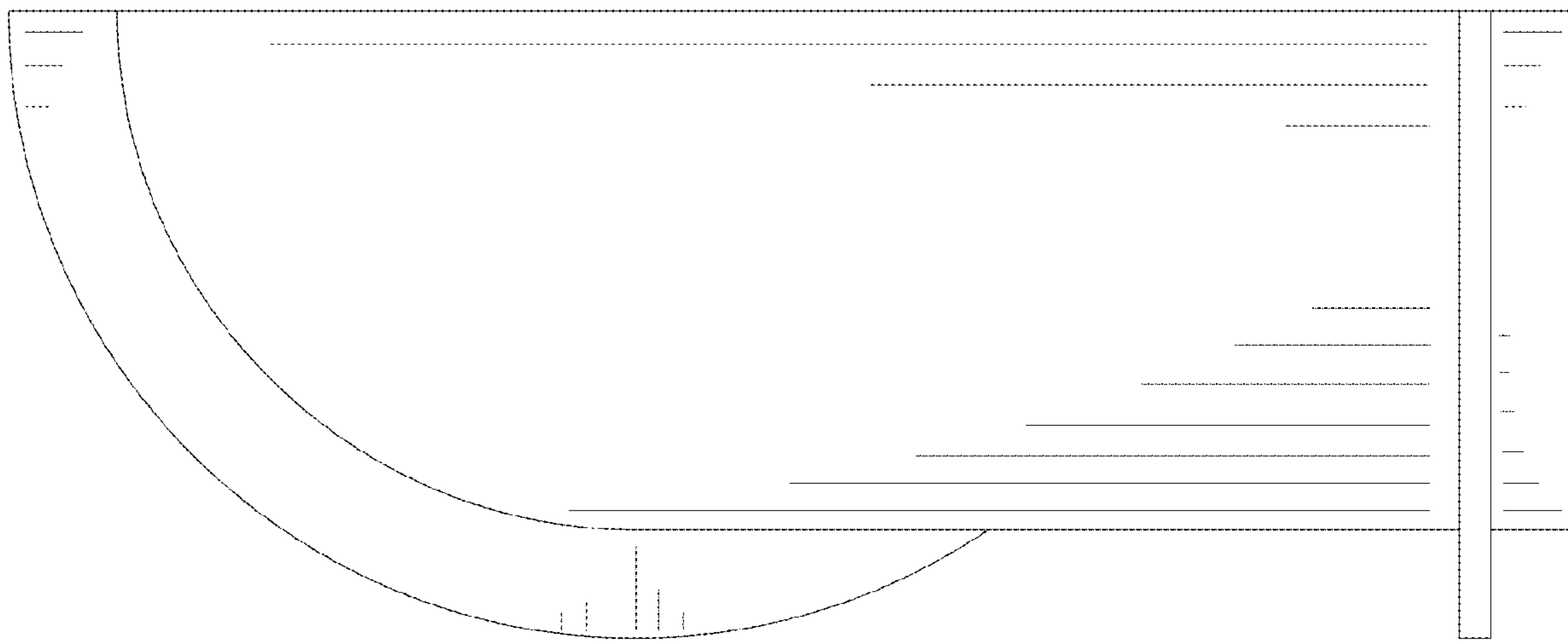


FIG. 54

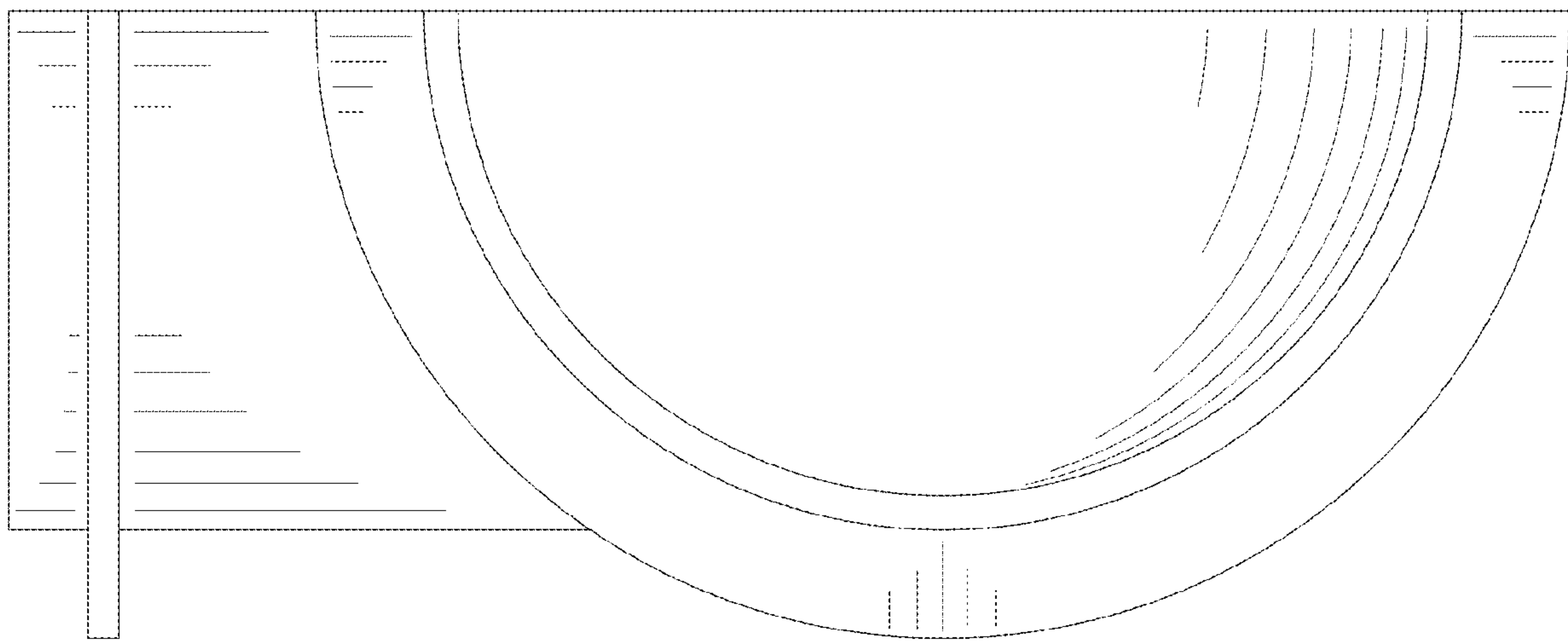


FIG. 55



FIG. 56

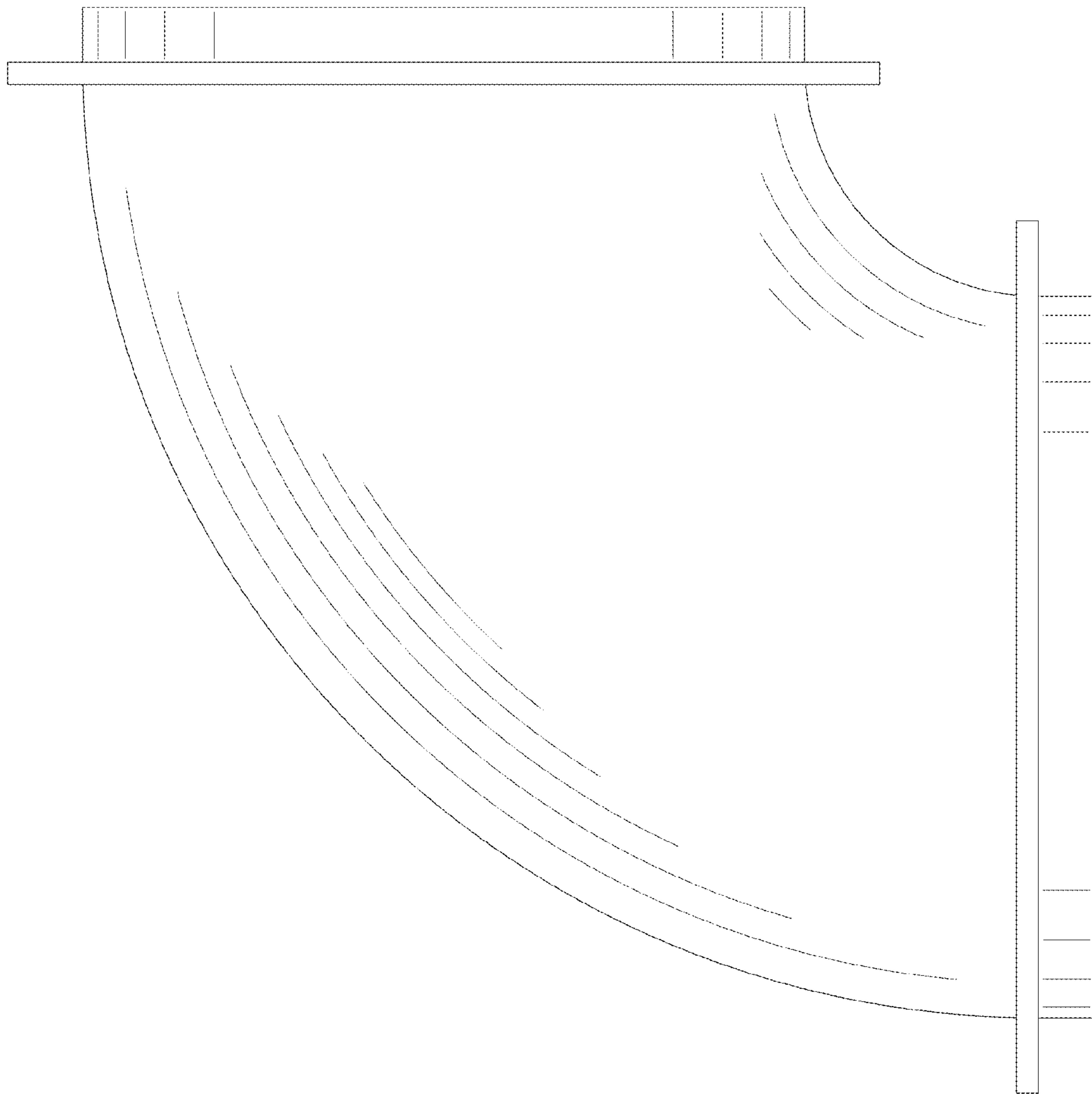


FIG. 57

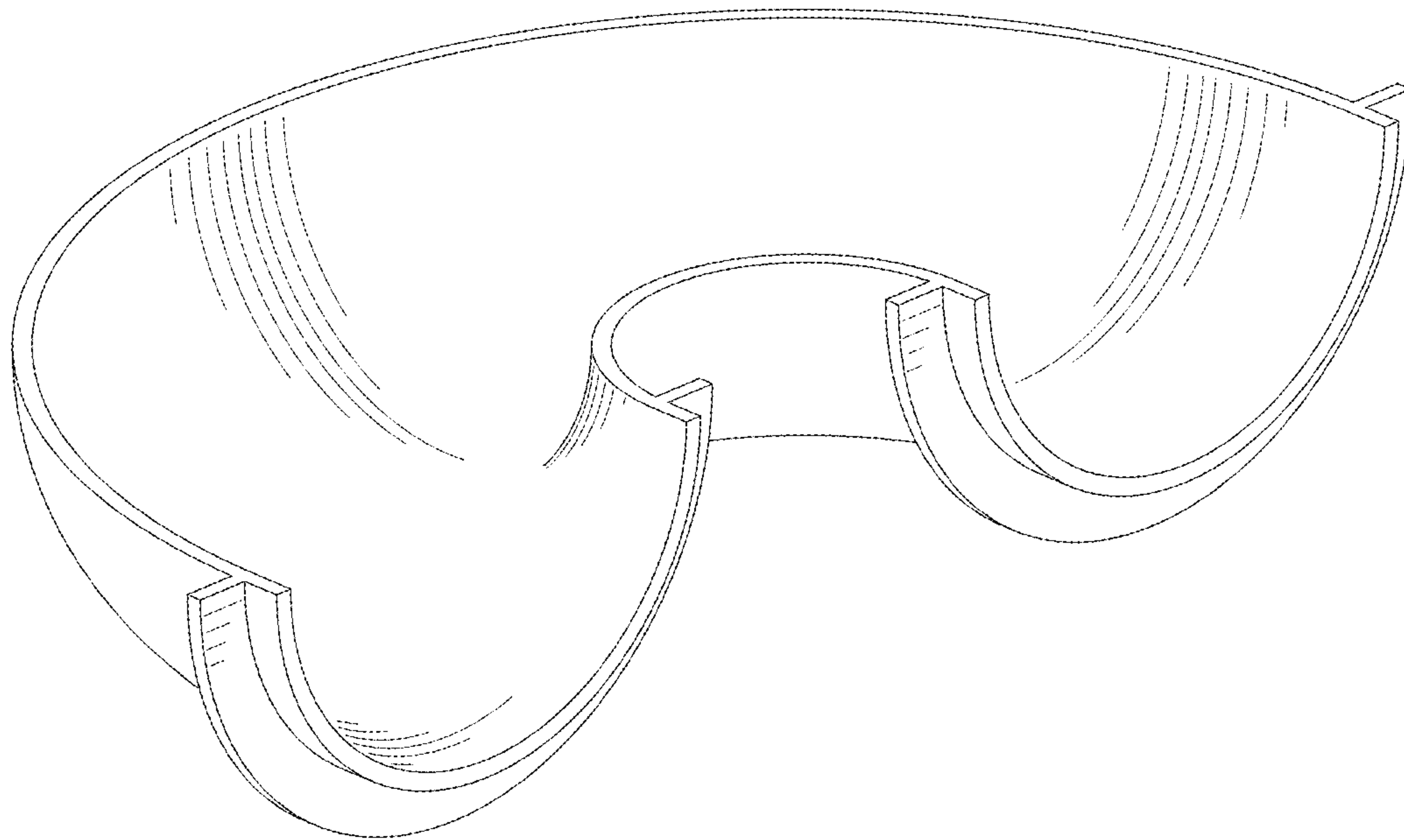


FIG. 58

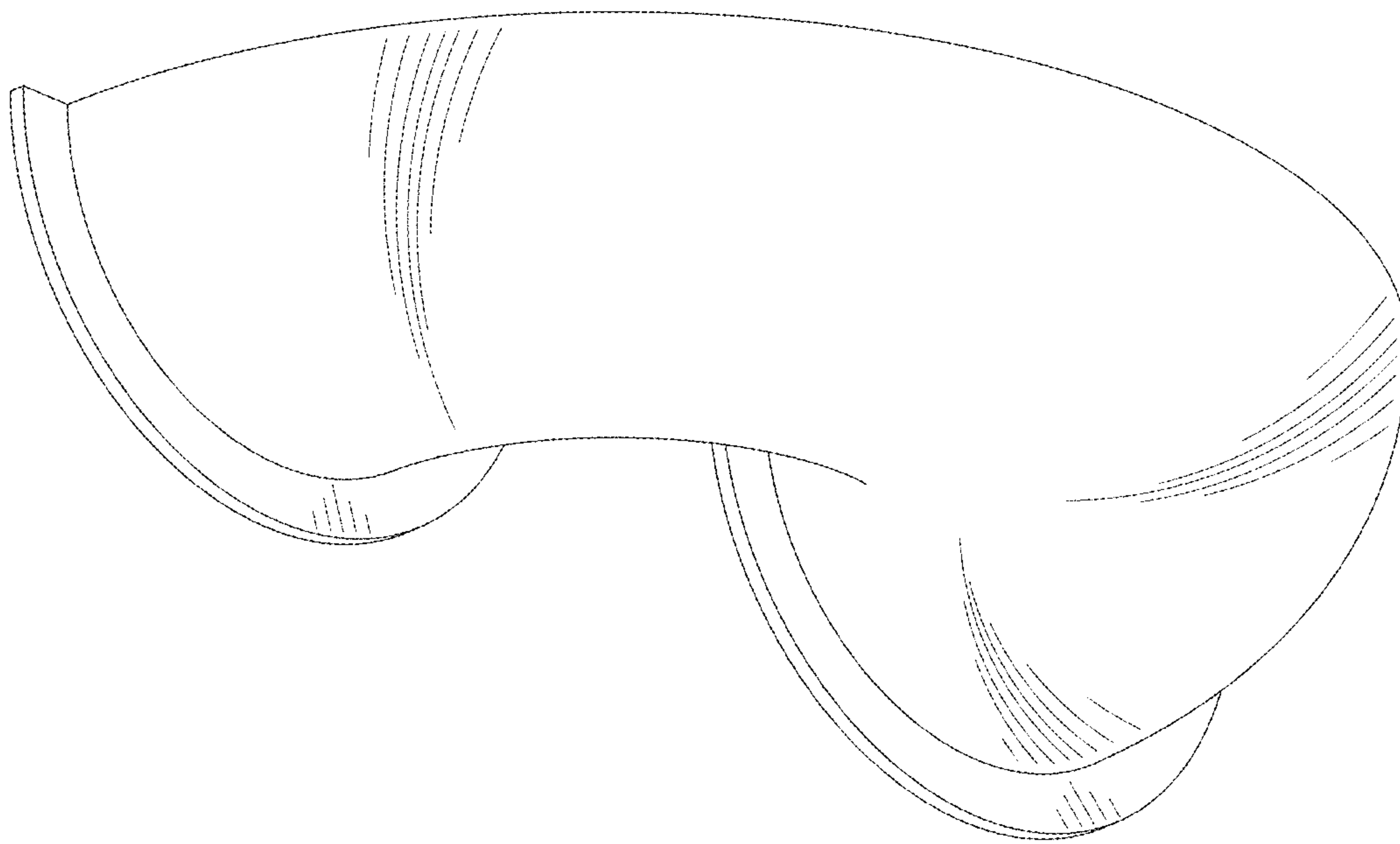


FIG. 59

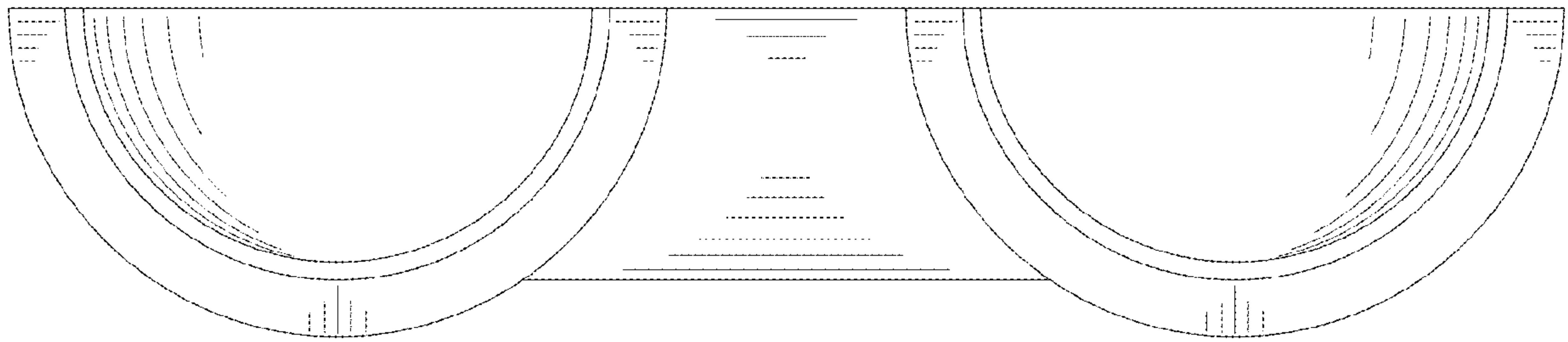


FIG. 60

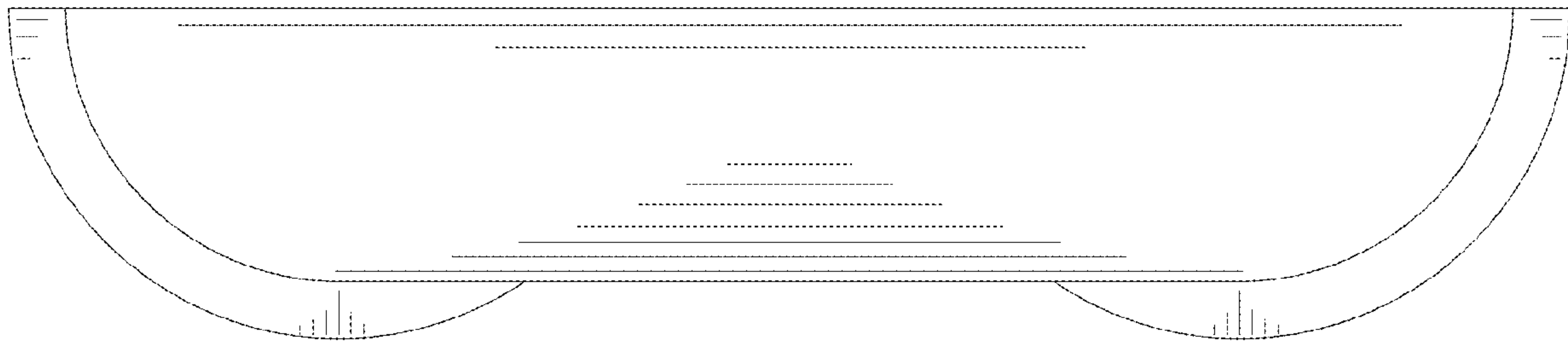


FIG. 61

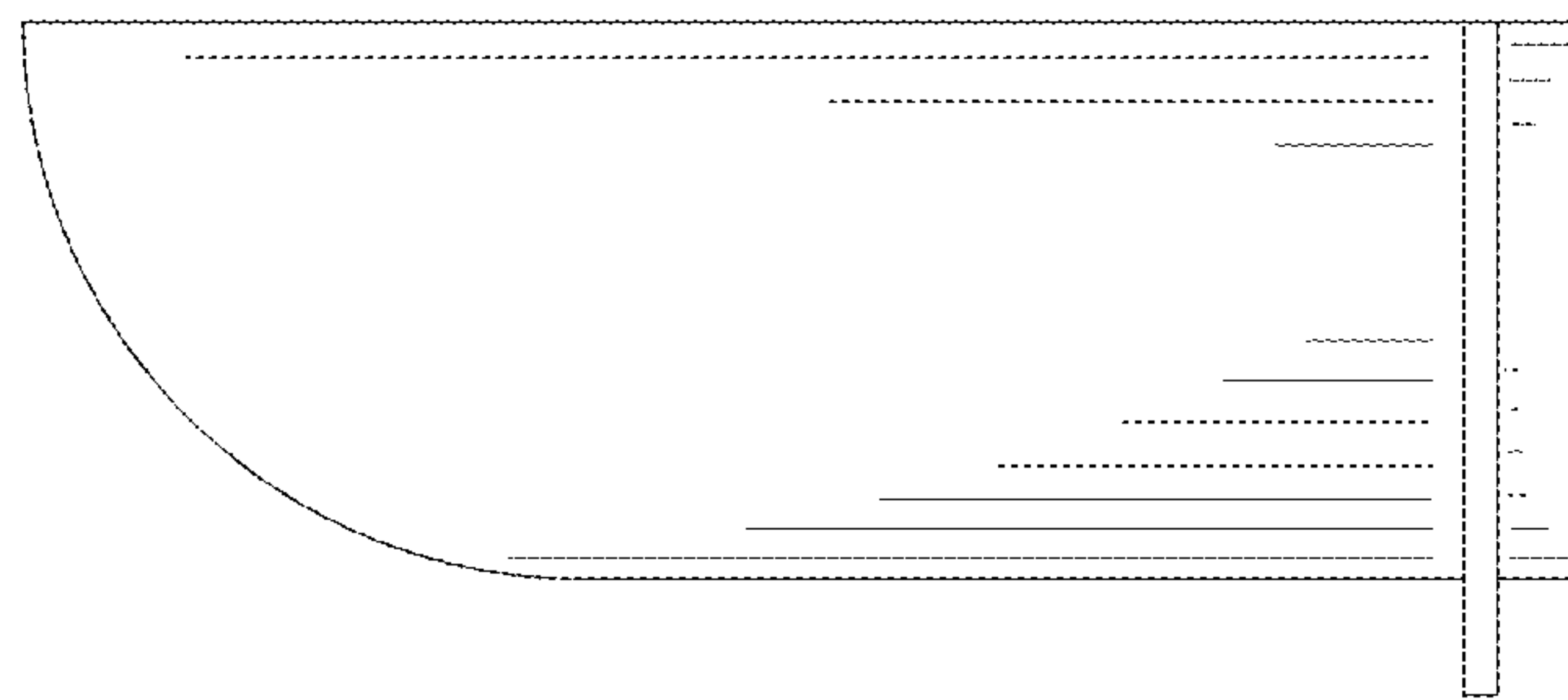


FIG. 62

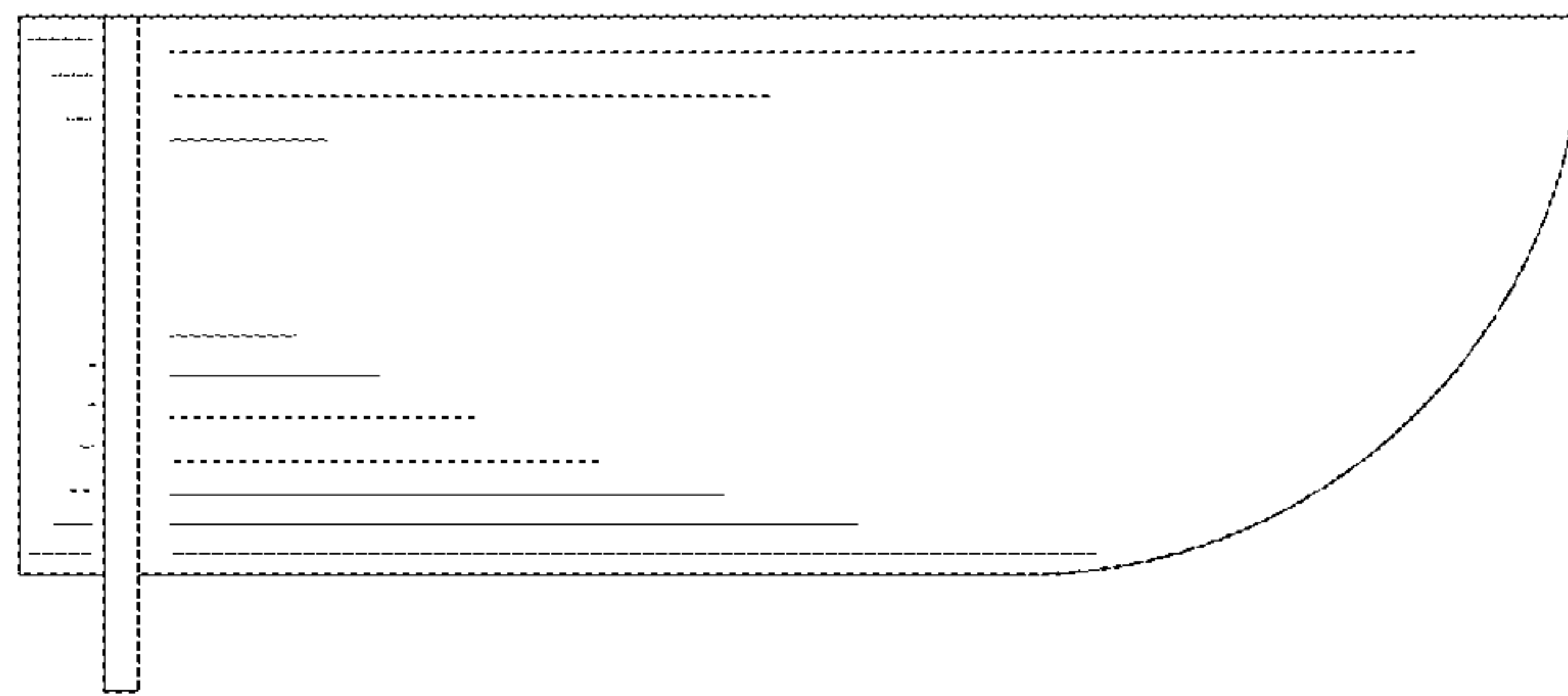


FIG. 63

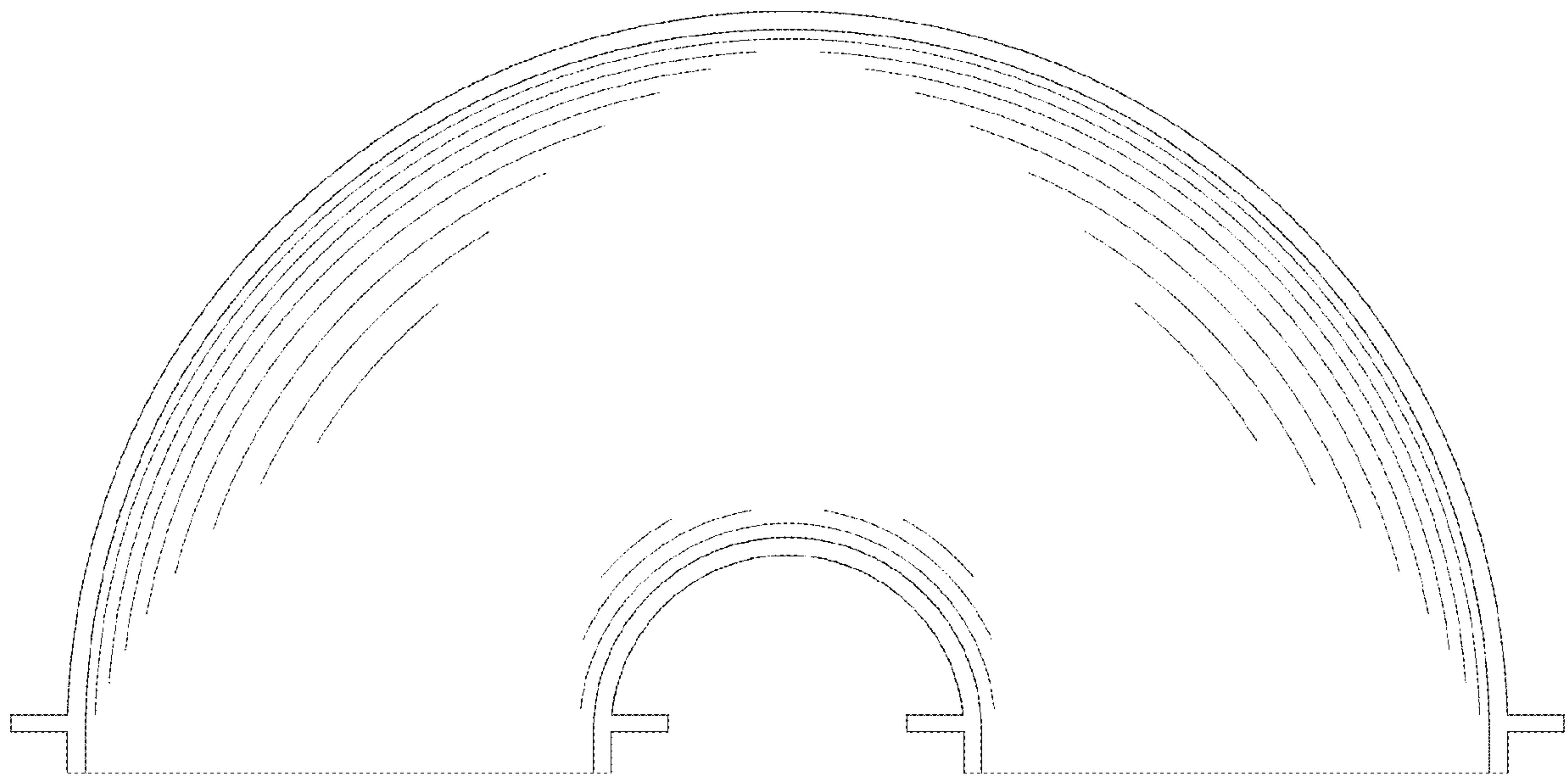


FIG.64

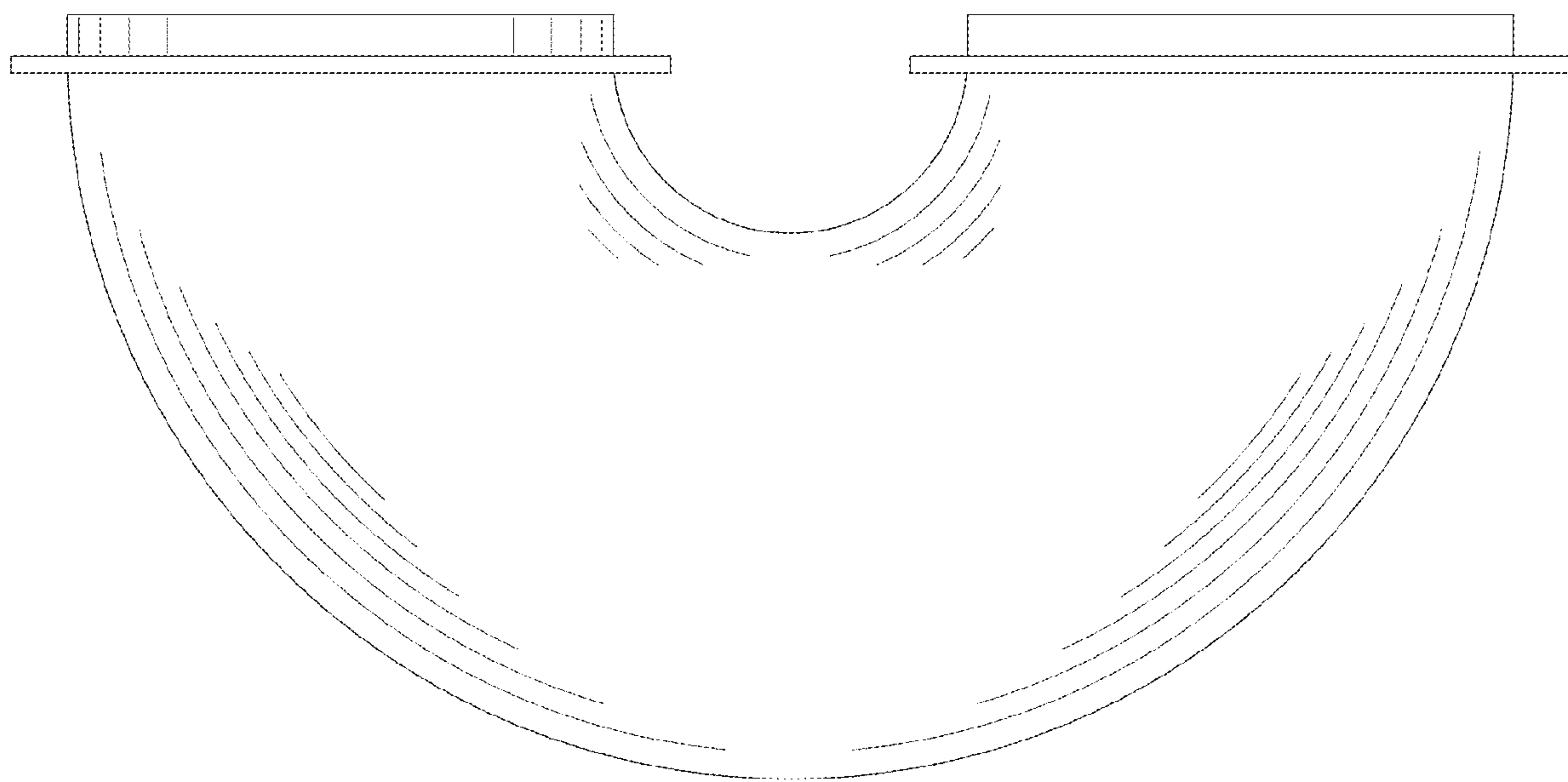


FIG. 65

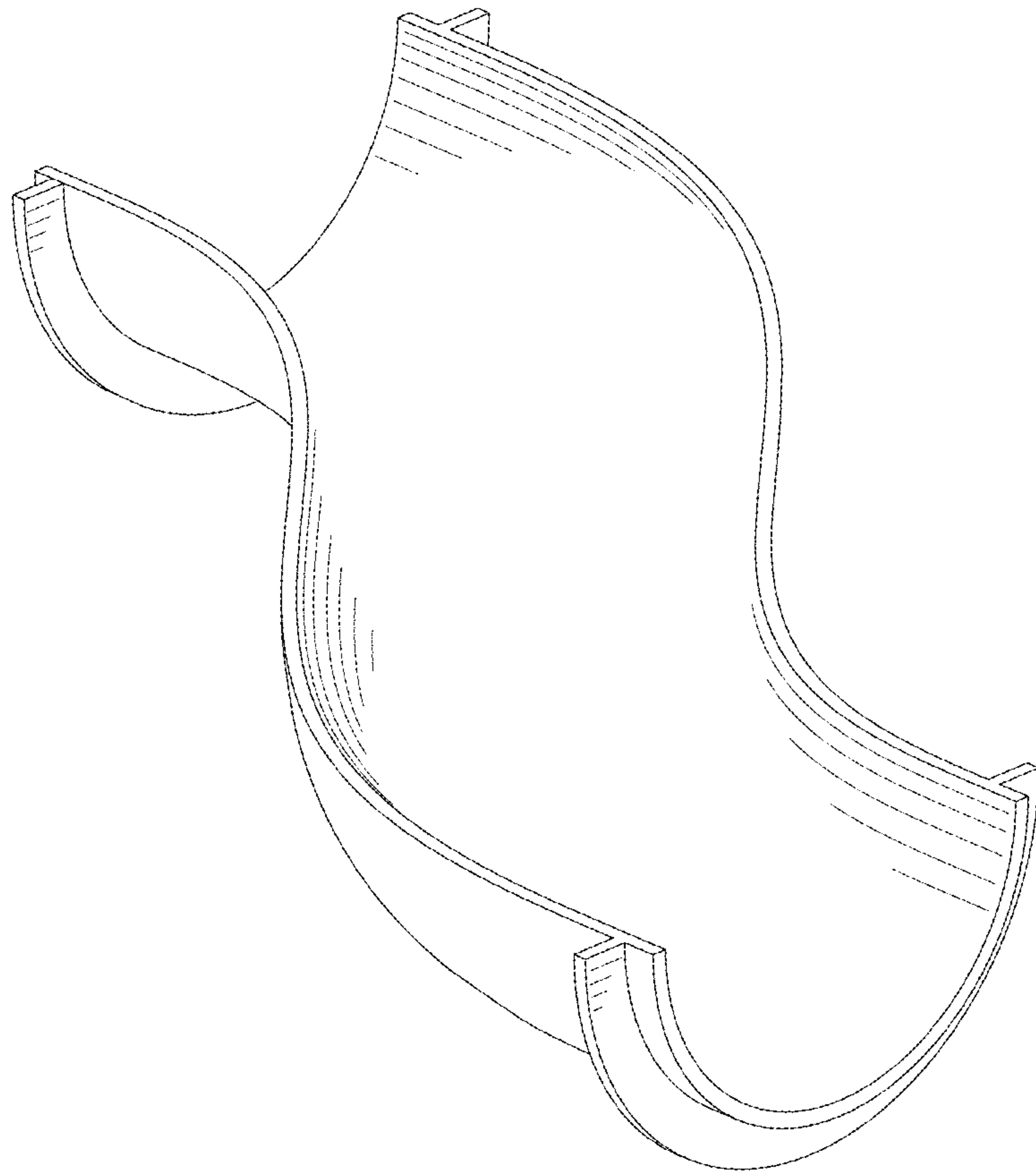


FIG. 66

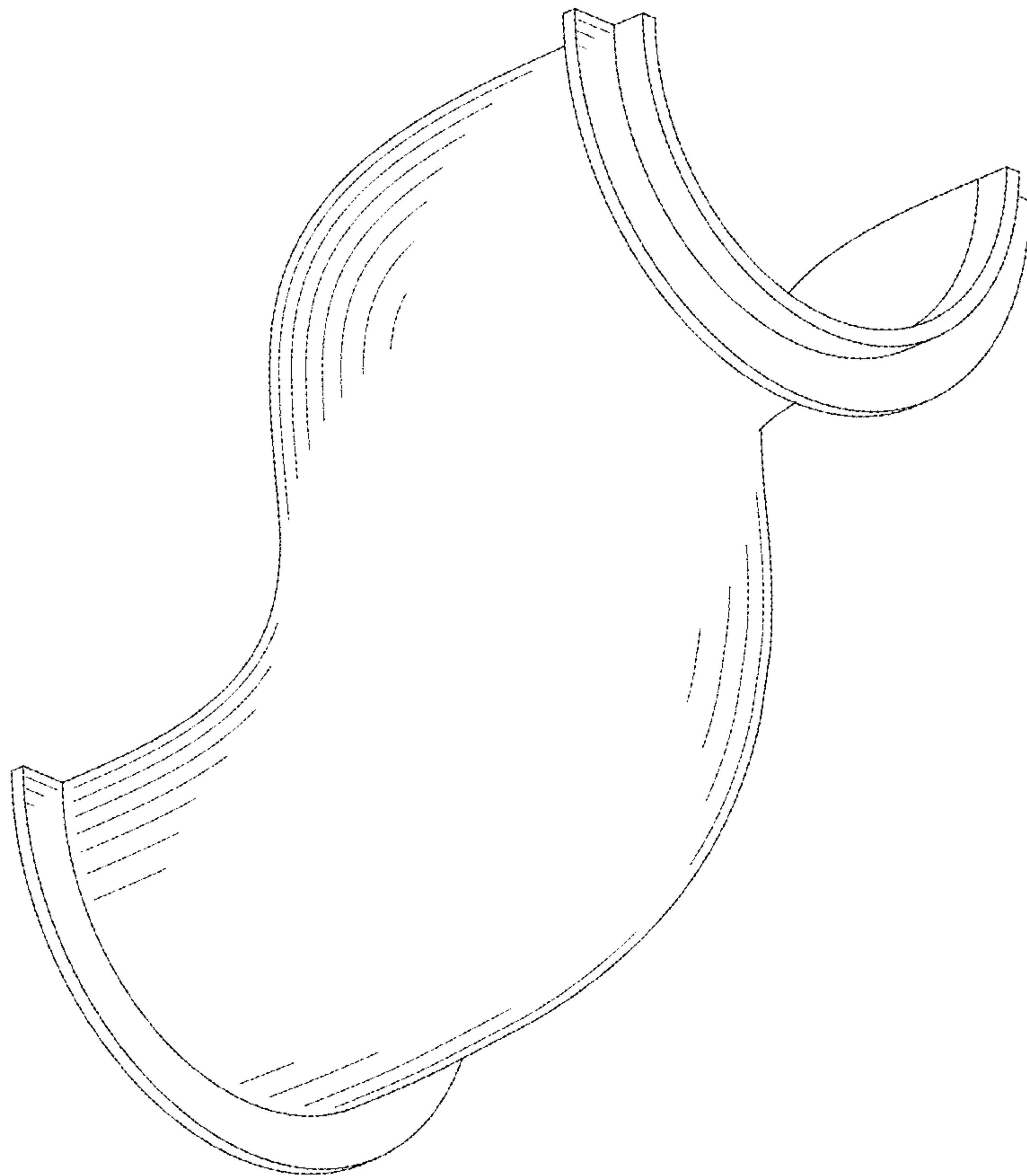


FIG. 67

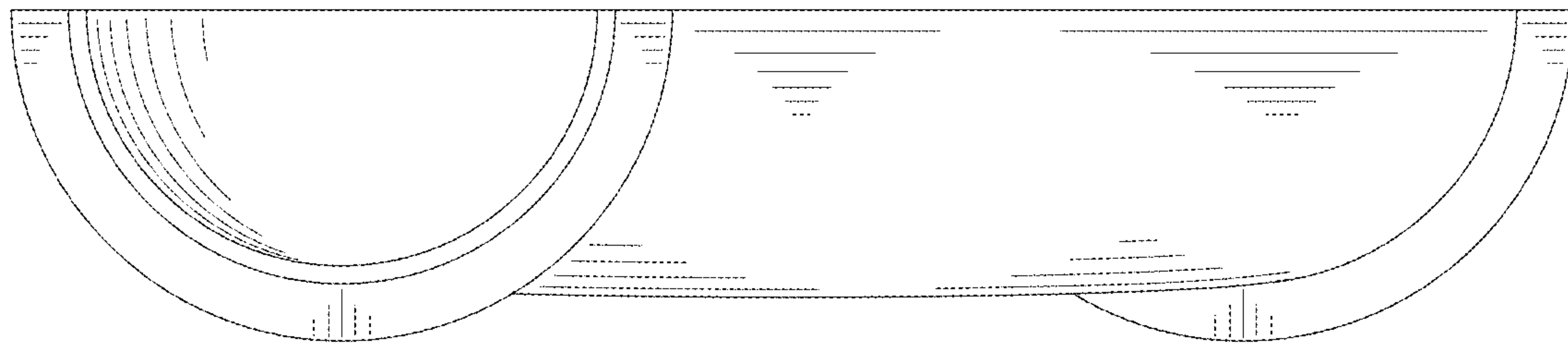


FIG. 68

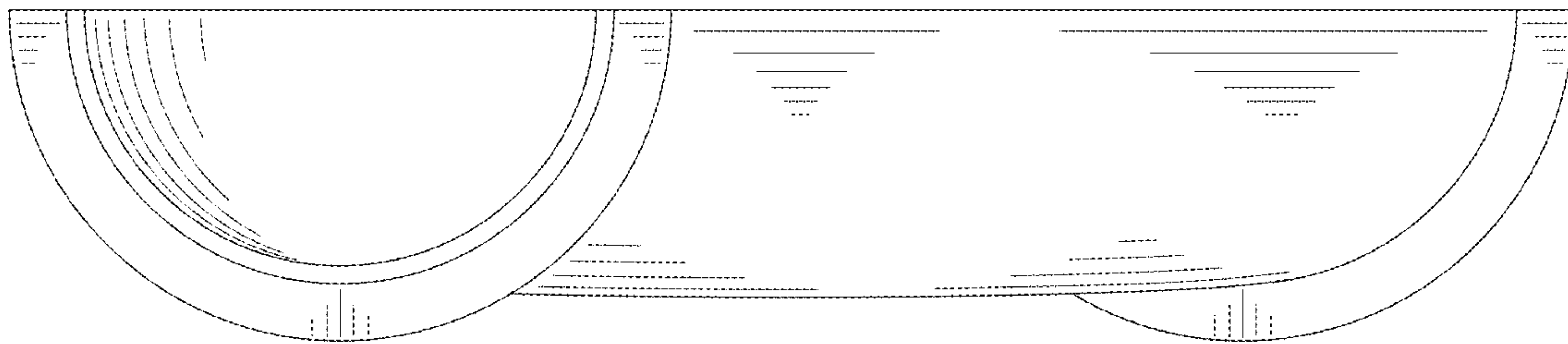


FIG. 69

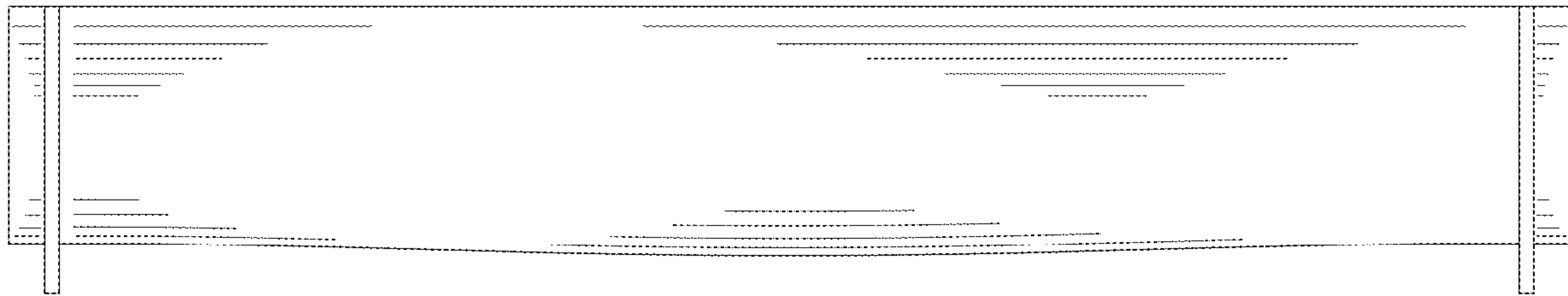


FIG. 70

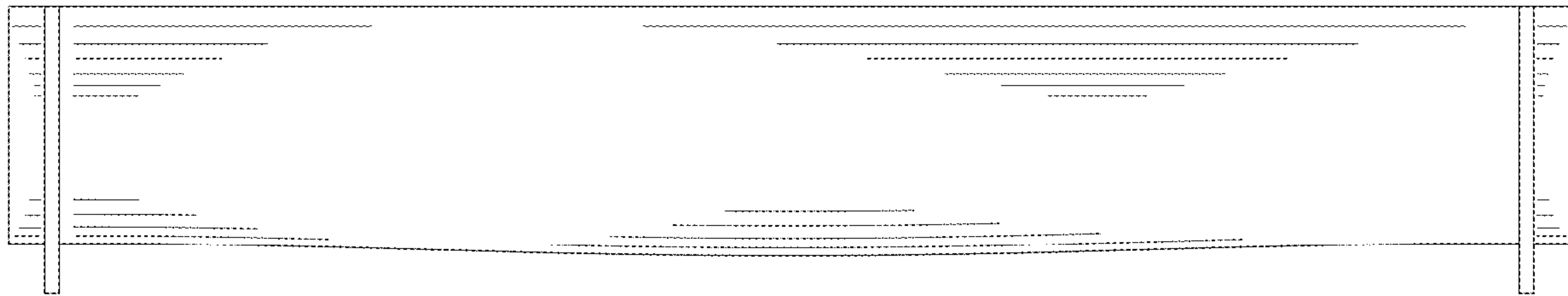


FIG. 71



FIG. 72

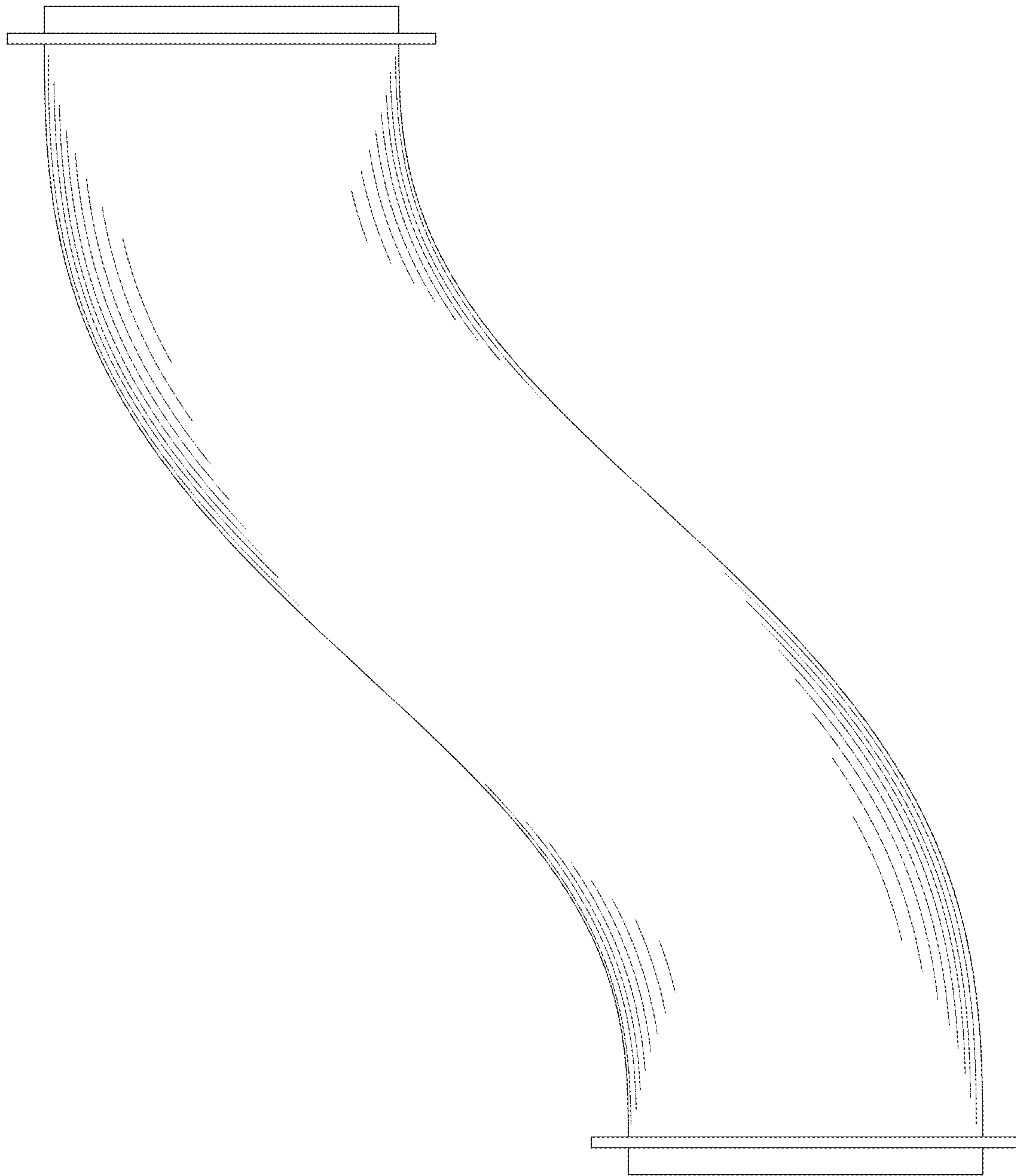


FIG. 73

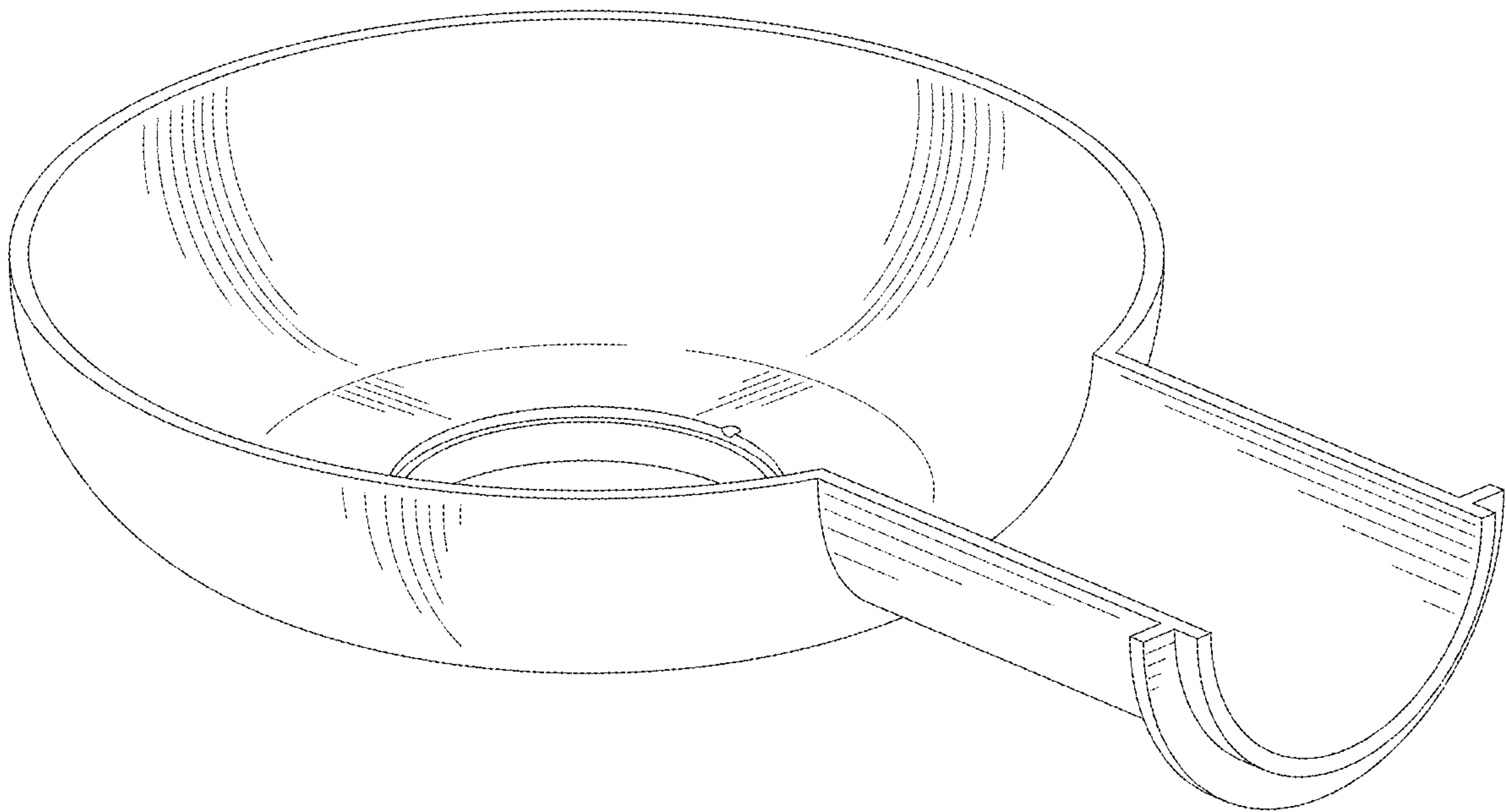


FIG.74

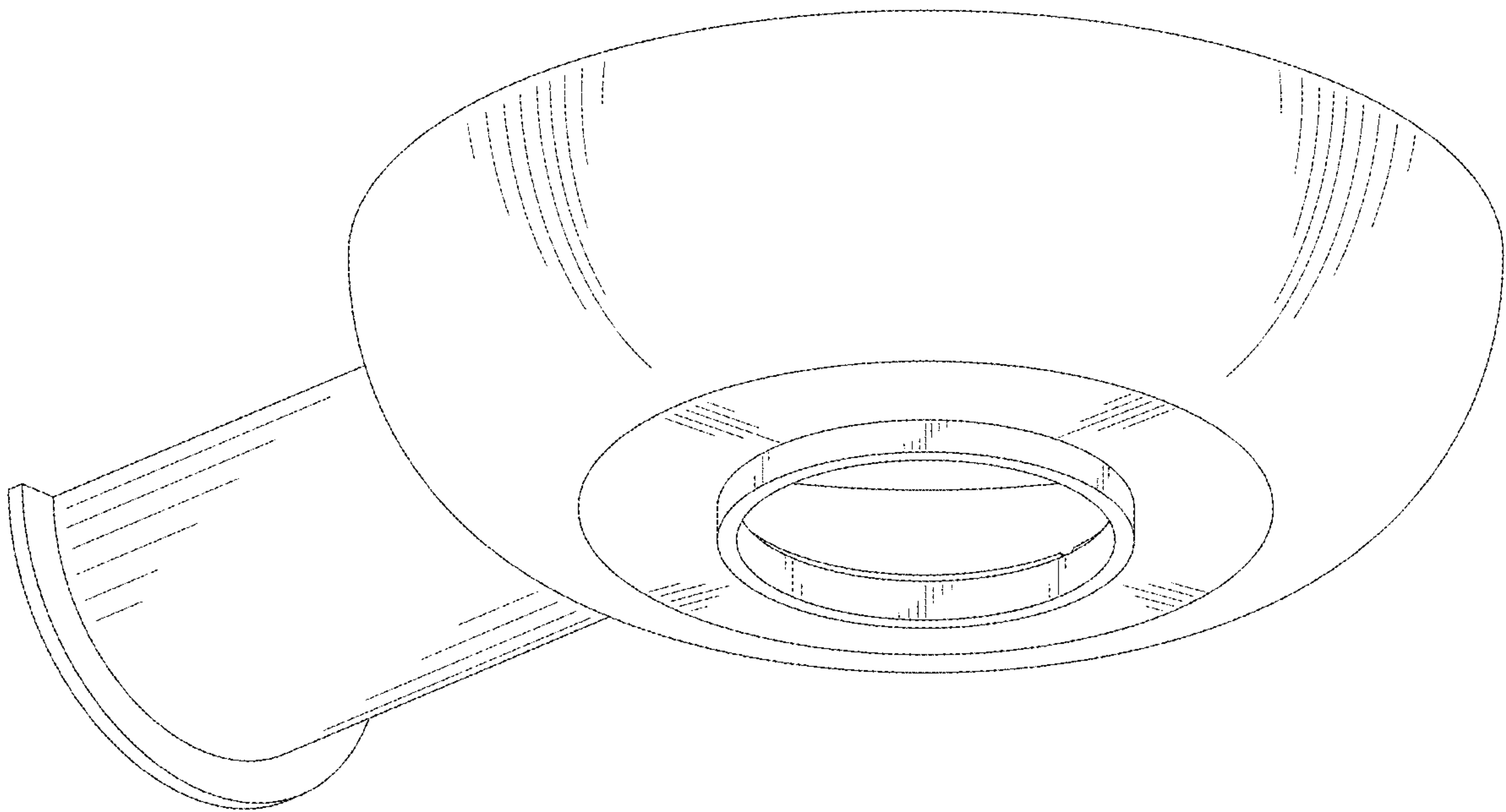


FIG. 75

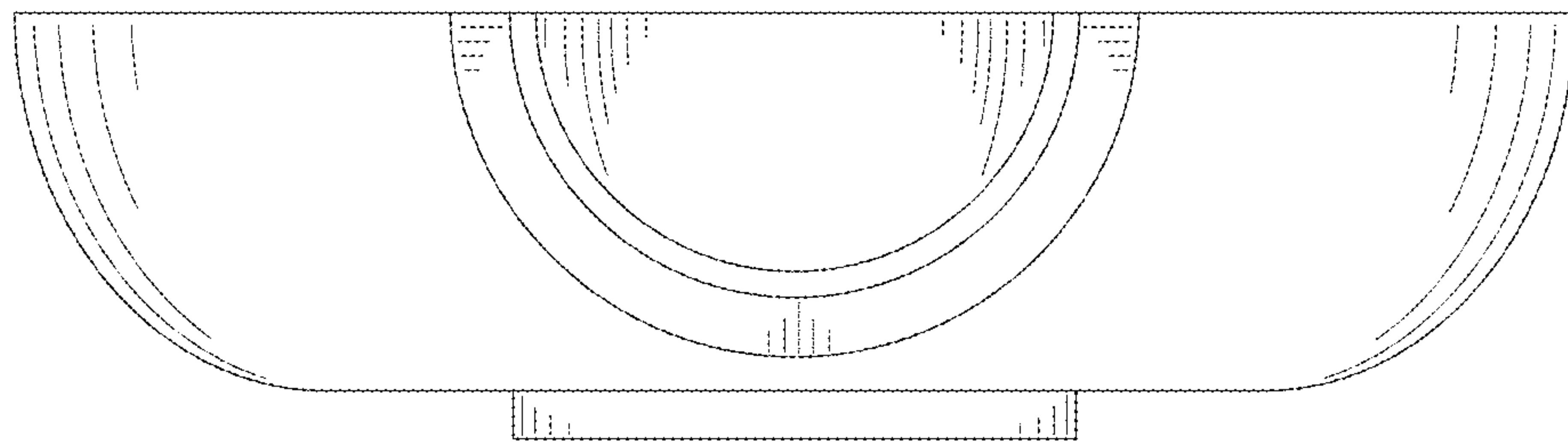


FIG. 76

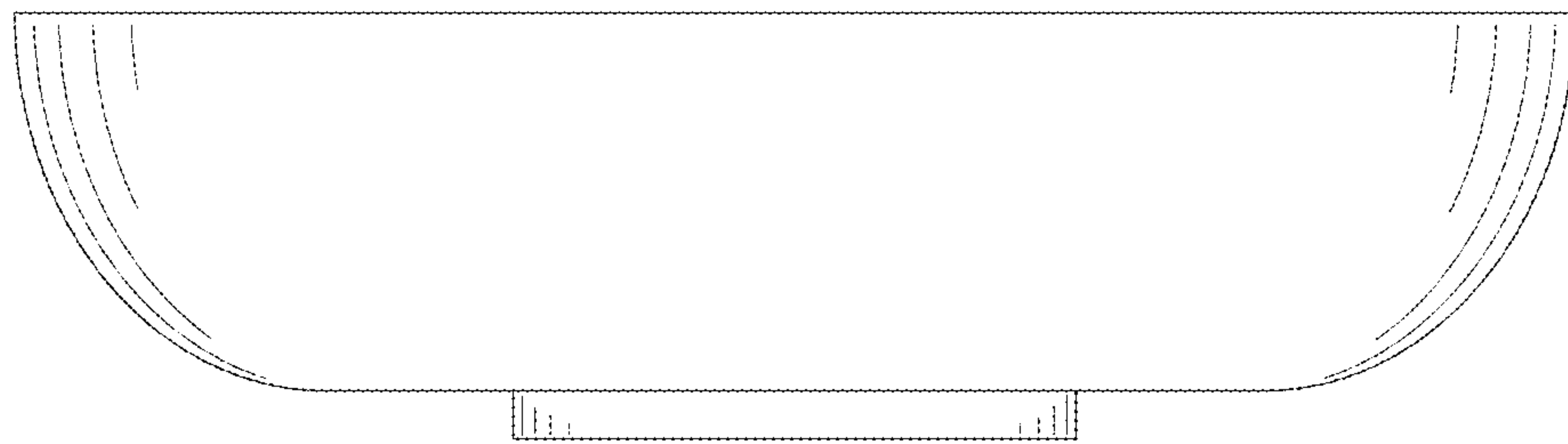


FIG. 77

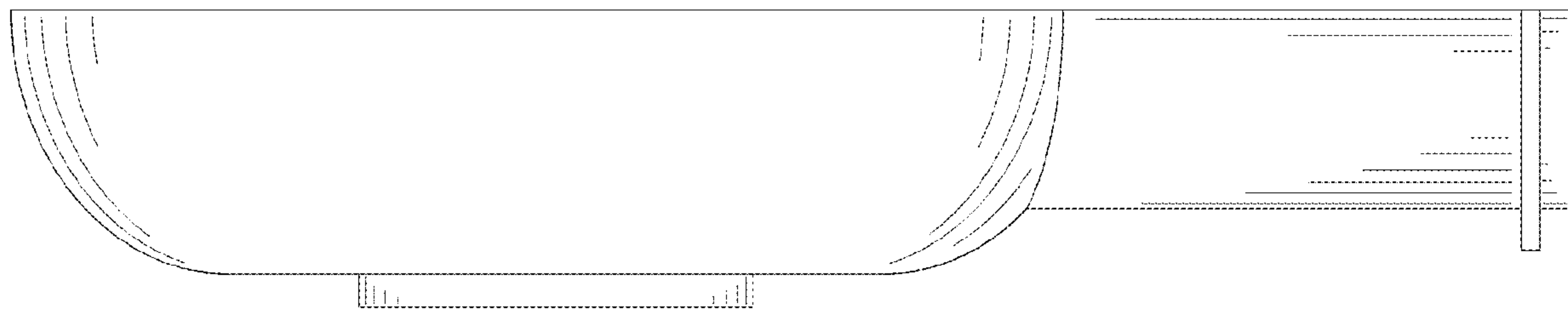


FIG. 78

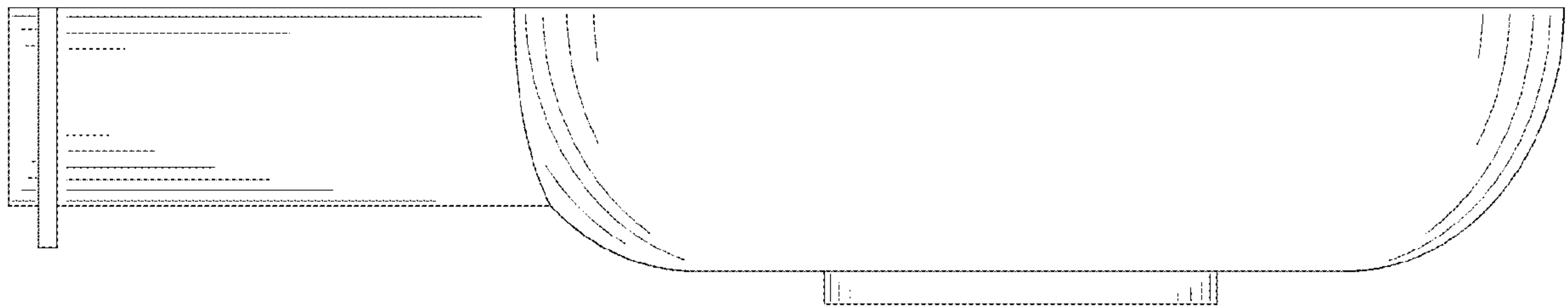


FIG. 79

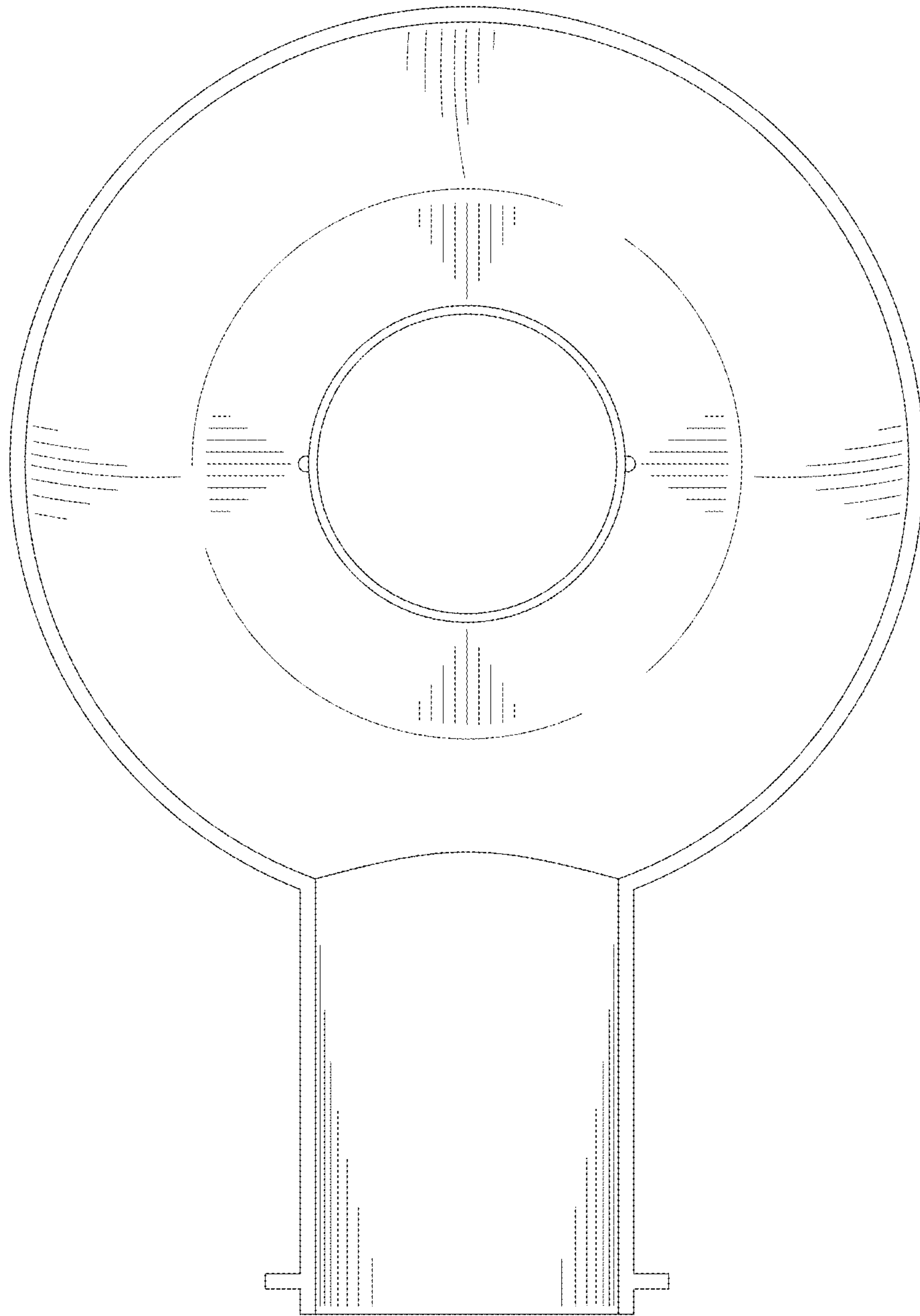


FIG. 80

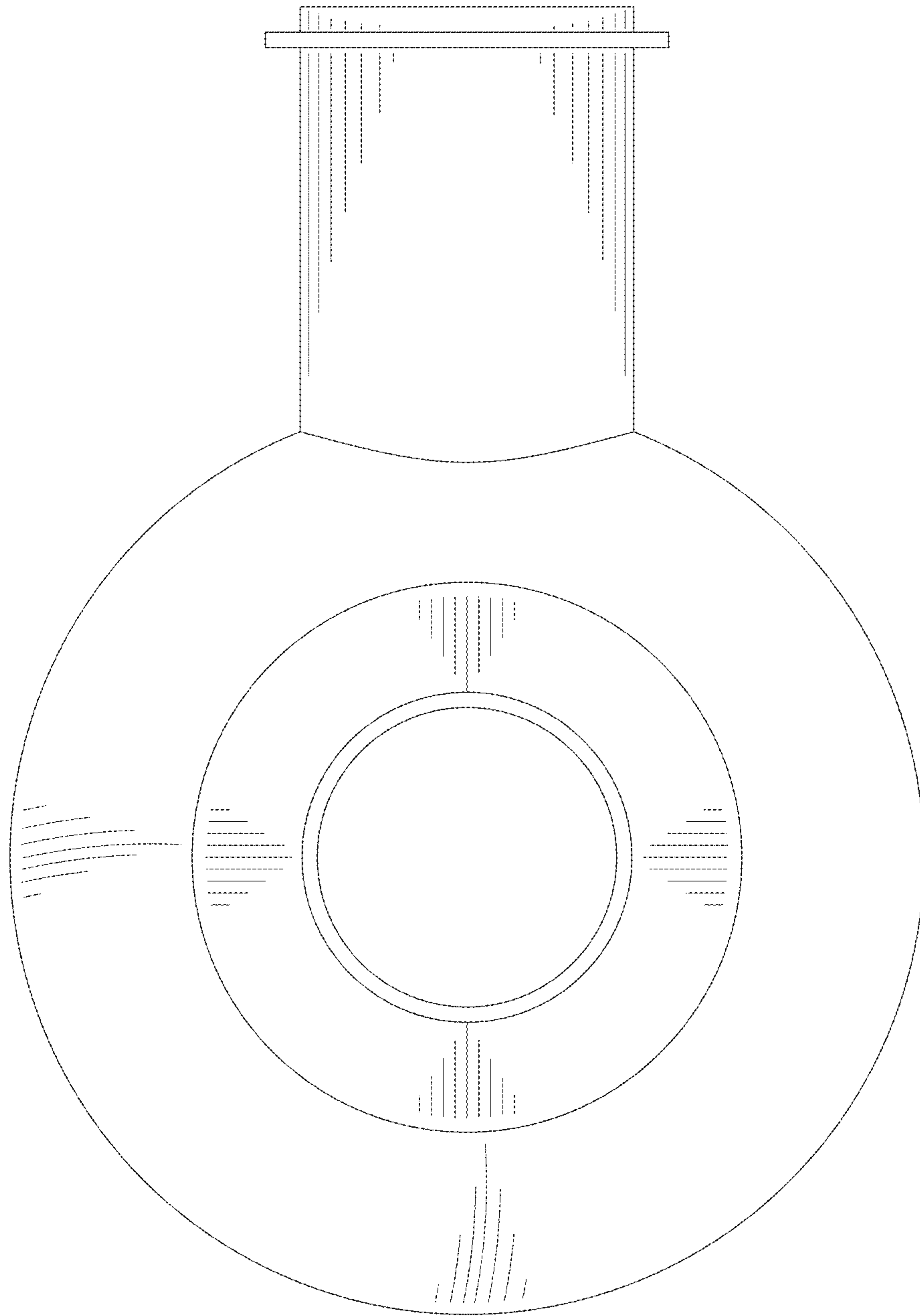


FIG. 81