



US00D977033S

(12) **United States Design Patent** (10) **Patent No.:** **US D977,033 S**
Talios et al. (45) **Date of Patent:** **** Jan. 31, 2023**

- (54) **FOOD TRUCK RIDE-ON TOY**
- (71) Applicant: **Dynacraft BSC, Inc.**, Port Wentworth, GA (US)
- (72) Inventors: **William Talios**, Petaluma, CA (US); **John Bisges**, Buford, GA (US); **David Castrucci**, Napa, CA (US)
- (73) Assignee: **Dynacraft BSC, Inc.**, Port Wentworth, GA (US)
- (**) Term: **15 Years**
- (21) Appl. No.: **29/825,914**
- (22) Filed: **Feb. 7, 2022**

D305,555 S 1/1990 Spielberg
 5,229,703 A 7/1993 Harris
 D352,075 S 11/1994 Washington
 5,439,071 A 8/1995 Rodriguez-Ferre
 (Continued)

OTHER PUBLICATIONS

KidKraft 10084 Wondervan, Feb. 7, 2020, amazon.com Nov. 18, 2021, URL: <https://www.amazon.com/KidKraft-10084-Wondervan/dp/B084KZ7WTM/> (Year: 2020).*

(Continued)

Primary Examiner — Keith J Wilson
 (74) *Attorney, Agent, or Firm* — Michael Best & Friedrich LLP

Related U.S. Application Data

- (62) Division of application No. 29/685,863, filed on Apr. 1, 2019, now Pat. No. Des. 948,632, which is a division of application No. 29/629,527, filed on Dec. 13, 2017, now Pat. No. Des. 861,082.

- (51) **LOC (14) Cl.** **21-01**
- (52) **U.S. Cl.**
USPC **D21/552**
- (58) **Field of Classification Search**
USPC D21/433–434, 552, 833; D12/84, 93
CPC B62D 25/00; B62D 25/06; B62D 33/00;
B62D 35/00
See application file for complete search history.

References Cited

U.S. PATENT DOCUMENTS

- 4,015,875 A 4/1977 Setina
- 4,055,250 A 10/1977 Mayhew
- D259,730 S 6/1981 Arad et al.
- D279,589 S 7/1985 Marshall
- D280,115 S 8/1985 Takeuchi
- 4,639,646 A 1/1987 Harris et al.
- D295,772 S 5/1988 Kwan

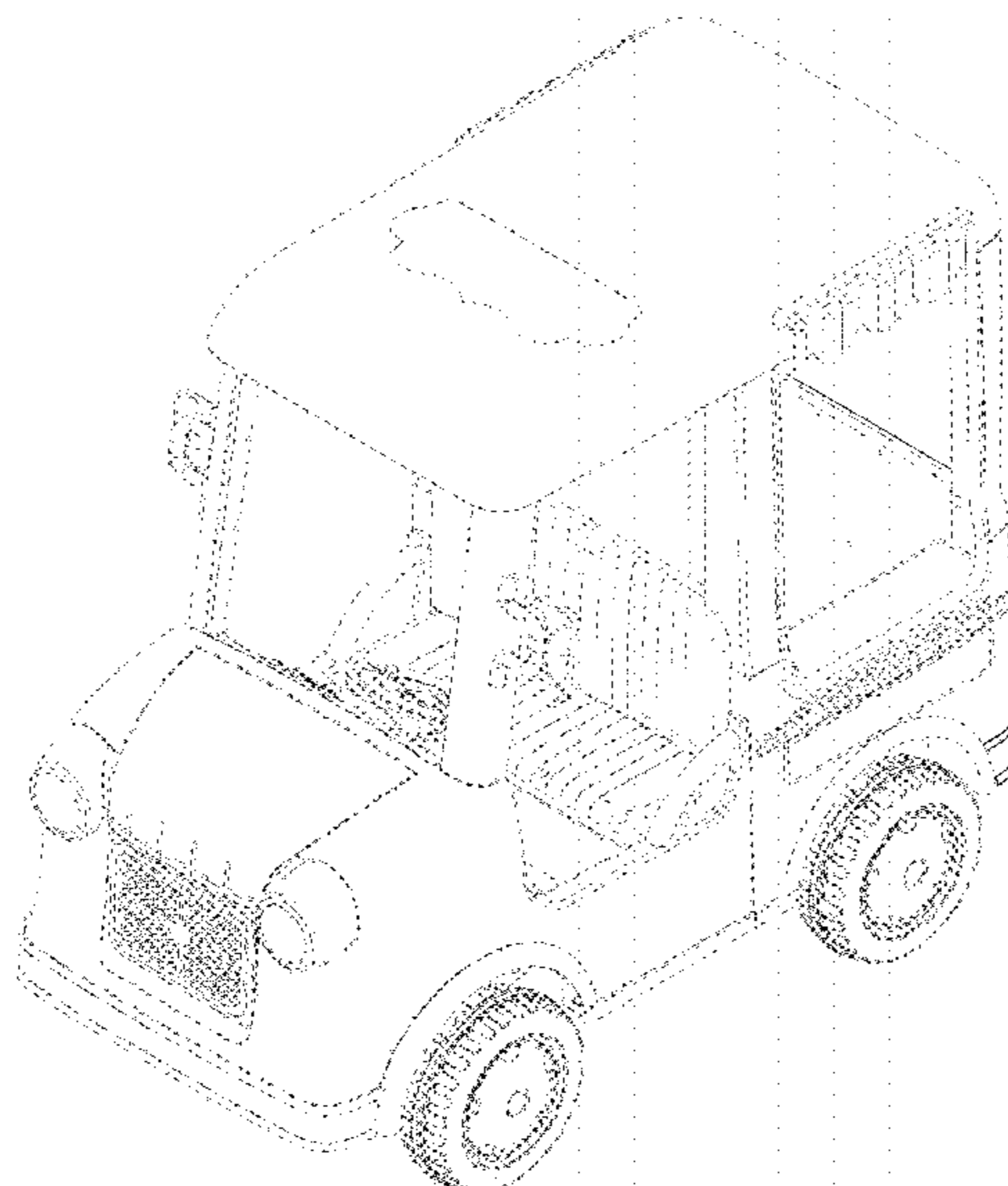
(57) **CLAIM**

The ornamental design for a food truck ride-on toy, as shown and described.

DESCRIPTION

FIG. 1 is a front perspective view of the design;
 FIG. 2 is a rear perspective view of FIG. 1;
 FIG. 3 is a front plan view of FIG. 1;
 FIG. 4 is a rear plan view of FIG. 1;
 FIG. 5 is a left side plan view of FIG. 1;
 FIG. 6 is a right side plan view of FIG. 1;
 FIG. 7 is a top elevational view of FIG. 1;
 FIG. 8 is a front perspective view of the design with moveable components shown in the extended position;
 FIG. 9 is a rear perspective view of FIG. 8;
 FIG. 10 is a front plan view of FIG. 8;
 FIG. 11 is a rear plan view of FIG. 8;
 FIG. 12 is a left side plan view of FIG. 8;
 FIG. 13 is a right side plan view of FIG. 8; and,
 FIG. 14 is a top elevational view of FIG. 8.
 The broken lines illustrate portions of the food truck ride-on that form no part of the claimed design.

1 Claim, 14 Drawing Sheets



(56)

References Cited

U.S. PATENT DOCUMENTS

D366,071 S 1/1996 Harrod
 D382,922 S * 8/1997 Dirden D21/552
 5,845,724 A 12/1998 Barrett
 5,859,509 A 1/1999 Bienz et al.
 5,934,727 A 8/1999 Storc et al.
 6,039,626 A 3/2000 Gerold et al.
 D445,465 S 7/2001 Ma
 D445,466 S 7/2001 Ma
 6,276,751 B1 8/2001 Ikarashi et al.
 6,349,786 B1 2/2002 Gift
 6,416,104 B1 7/2002 Fisher et al.
 6,478,355 B1 11/2002 Van Eden et al.
 6,771,034 B2 8/2004 Reile et al.
 6,786,535 B1 9/2004 Grzegorzewski et al.
 7,243,746 B1 7/2007 Vasant
 D550,787 S 9/2007 Stewart
 D569,449 S 5/2008 Chung
 7,566,094 B2 7/2009 Polewarczyk et al.
 D601,207 S 9/2009 Chung
 7,726,688 B2 6/2010 Setina
 7,735,896 B2 6/2010 Kubota
 8,136,857 B2 3/2012 Shimizu et al.
 D673,624 S * 1/2013 Kasahara D21/434
 8,708,388 B2 4/2014 Setina
 D710,460 S * 8/2014 Hattori D21/552
 D714,880 S * 10/2014 Hattori D21/551
 D730,864 S 6/2015 Stewart
 D760,325 S * 6/2016 Sano D21/552
 9,771,017 B1 9/2017 Talios et al.
 D852,901 S * 7/2019 Matsuyama D21/552
 D861,082 S 9/2019 Talios et al.
 D872,812 S 1/2020 Chen
 D875,185 S 2/2020 Zeng
 D888,164 S 6/2020 Hu
 D923,518 S * 6/2021 Lian D12/93
 D924,726 S * 7/2021 Kentley-Klay D12/84
 D924,727 S * 7/2021 Kentley-Klay D12/84
 D926,084 S * 7/2021 Borden D12/93
 D926,085 S * 7/2021 von Holzhausen D12/93
 D928,244 S 8/2021 Bao

11,077,384 B2 * 8/2021 Talios A63H 29/24
 D931,949 S * 9/2021 Chen D21/552
 D931,950 S * 9/2021 Chen D21/556
 D932,563 S * 10/2021 Chen D21/552
 D932,566 S * 10/2021 Chen D21/556
 D933,532 S * 10/2021 Kupitza D12/93
 D948,632 S * 4/2022 Talios D21/552
 D952,053 S * 5/2022 Chen D21/470
 D952,763 S * 5/2022 Zhong D21/548
 D963,053 S * 9/2022 Ho D21/562
 2002/0142702 A1 10/2002 Kim et al.
 2005/0202752 A1 9/2005 Bryner
 2006/0170236 A1 8/2006 Porter, II et al.
 2006/0175101 A1 8/2006 Drosendahl et al.
 2007/0013201 A1 1/2007 Wagner et al.
 2009/0039675 A1 2/2009 King et al.
 2010/0059968 A1 3/2010 Asbach et al.
 2011/0012548 A1 1/2011 Wilcox et al.
 2014/0097634 A1 4/2014 Jones et al.
 2016/0045835 A1 2/2016 Choi
 2017/0088157 A1 3/2017 Young et al.
 2017/0115009 A1 4/2017 Ramphos et al.
 2019/0176710 A1 6/2019 Loveday et al.

OTHER PUBLICATIONS

Li'l Woodzeez Food Truck—Honeysuckle Sweets & Treats, Nov. 27, 2019, amazon.com, Nov. 18, 2021, URL: <https://www.amazon.com/Lil-Woodzeez-Honeysuckle-Treats-Truck/dp/B017VQMXB4> (Year: 2019).
 Marvel Deadpool & Taco Truck Die-cast Car, Feb. 28, 2019, amazon.com, Nov. 18, 2021, URL: <https://www.amazon.com/Marvel-Deadpool-Taco-Truck-Die-Cast/dp/B07FYW1GRX> (Year: 2019).
 Instructables, “Power Wheels Mods—Master Kill Switch and Charging,” <<http://www.instructables.com/id/Power-Wheels-Mods-Master-Kill-Switch-and-Charging/>> webpage available at least as early as Aug. 22, 2015.
 Modified Power Wheels, “FAQ—Remote kill switches, and key switches,” <http://www.modifiedpowerwheels.com/forum/topic.asp?TOPIC_ID=4821> webpage available at least as early as Jun. 20, 2009.

* cited by examiner

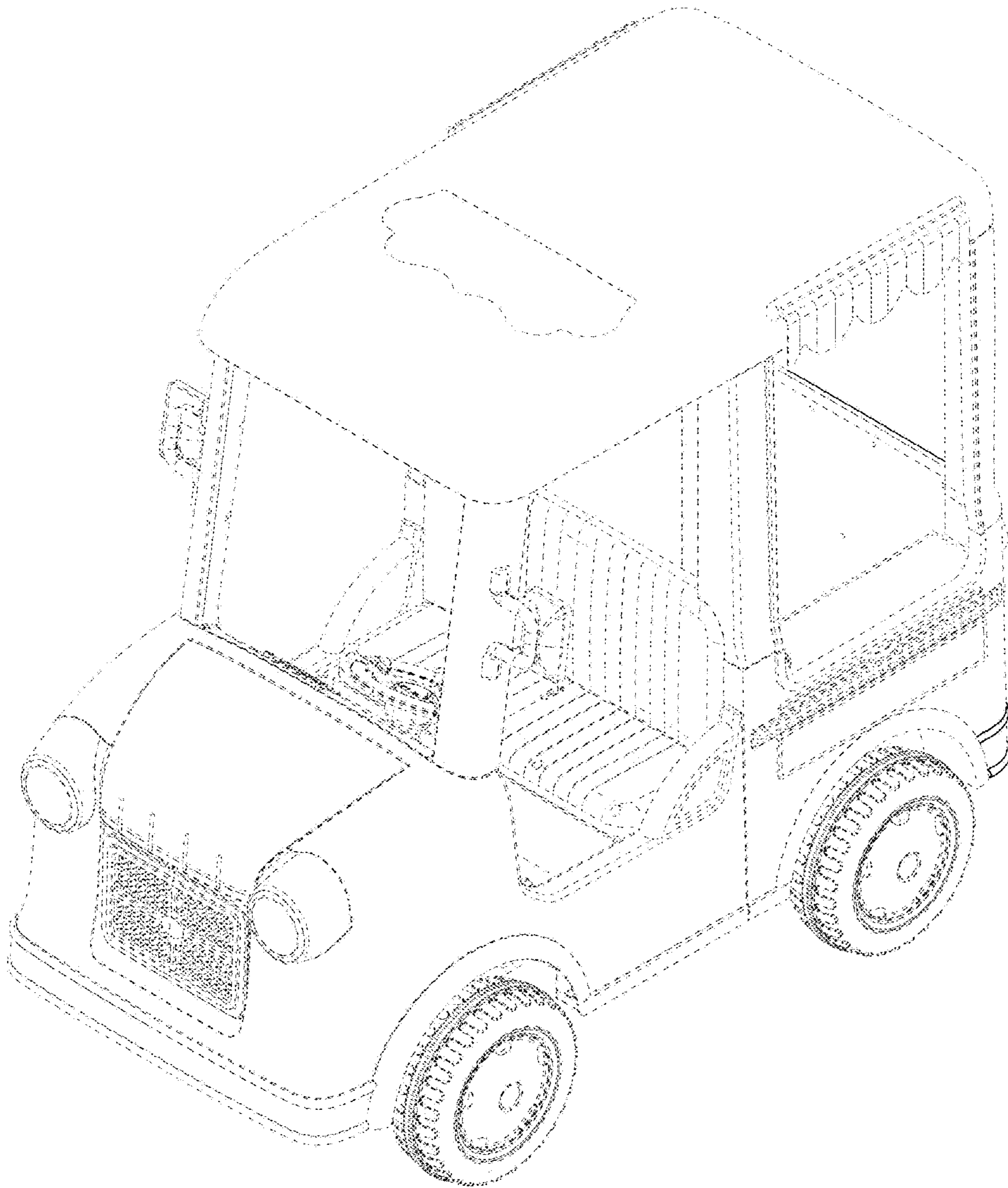


FIG. 1

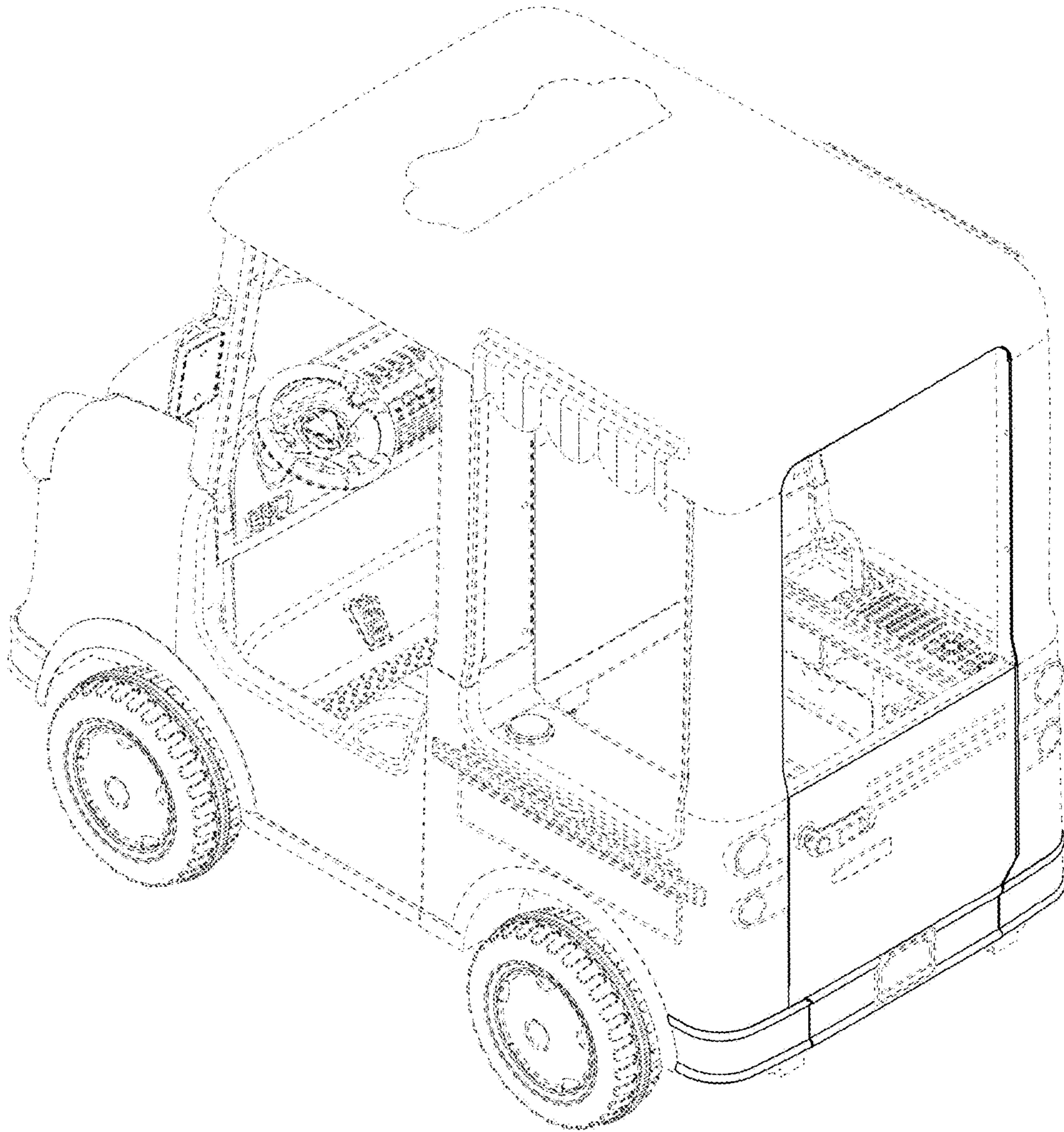


FIG. 2

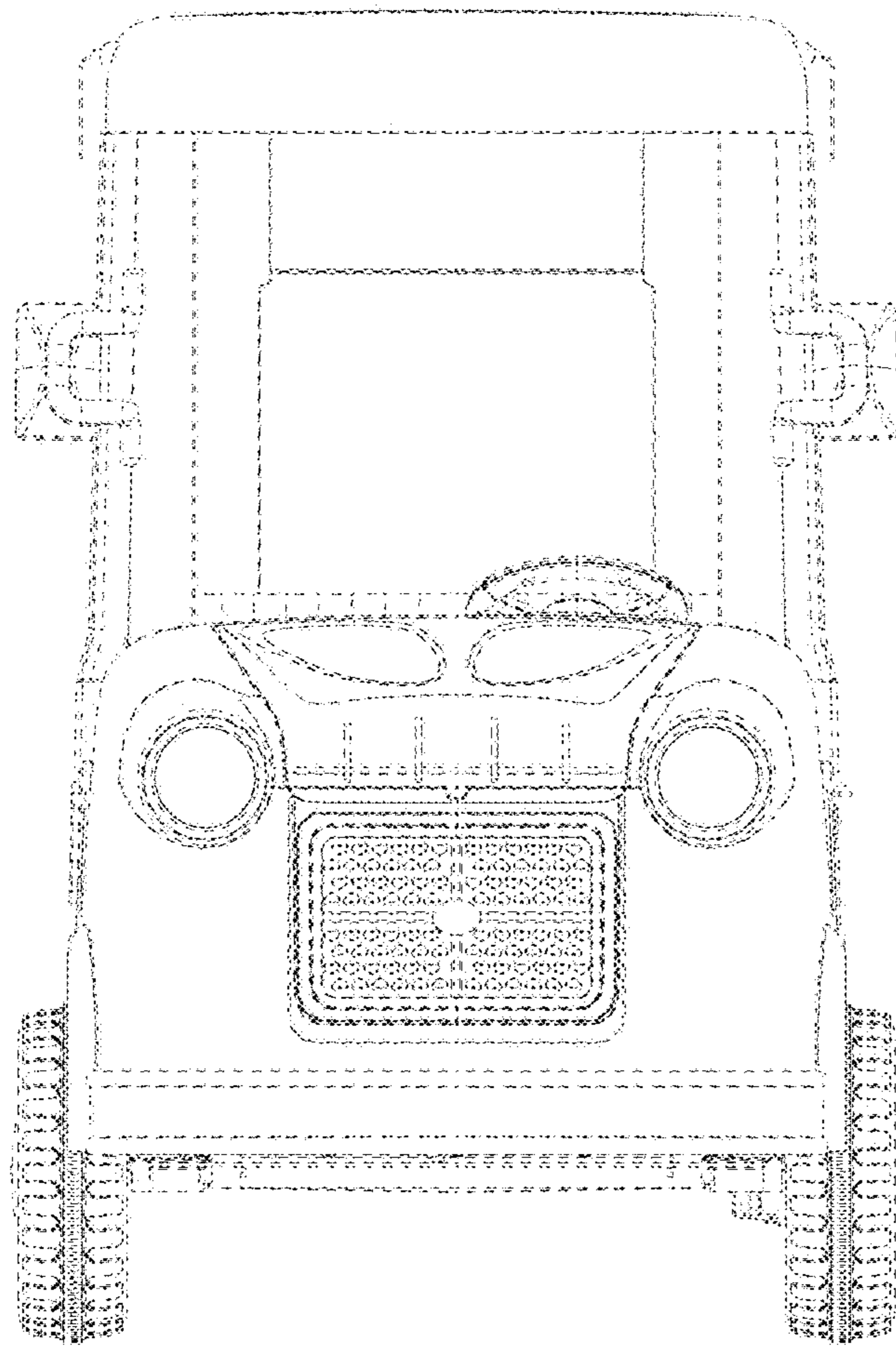


FIG. 3

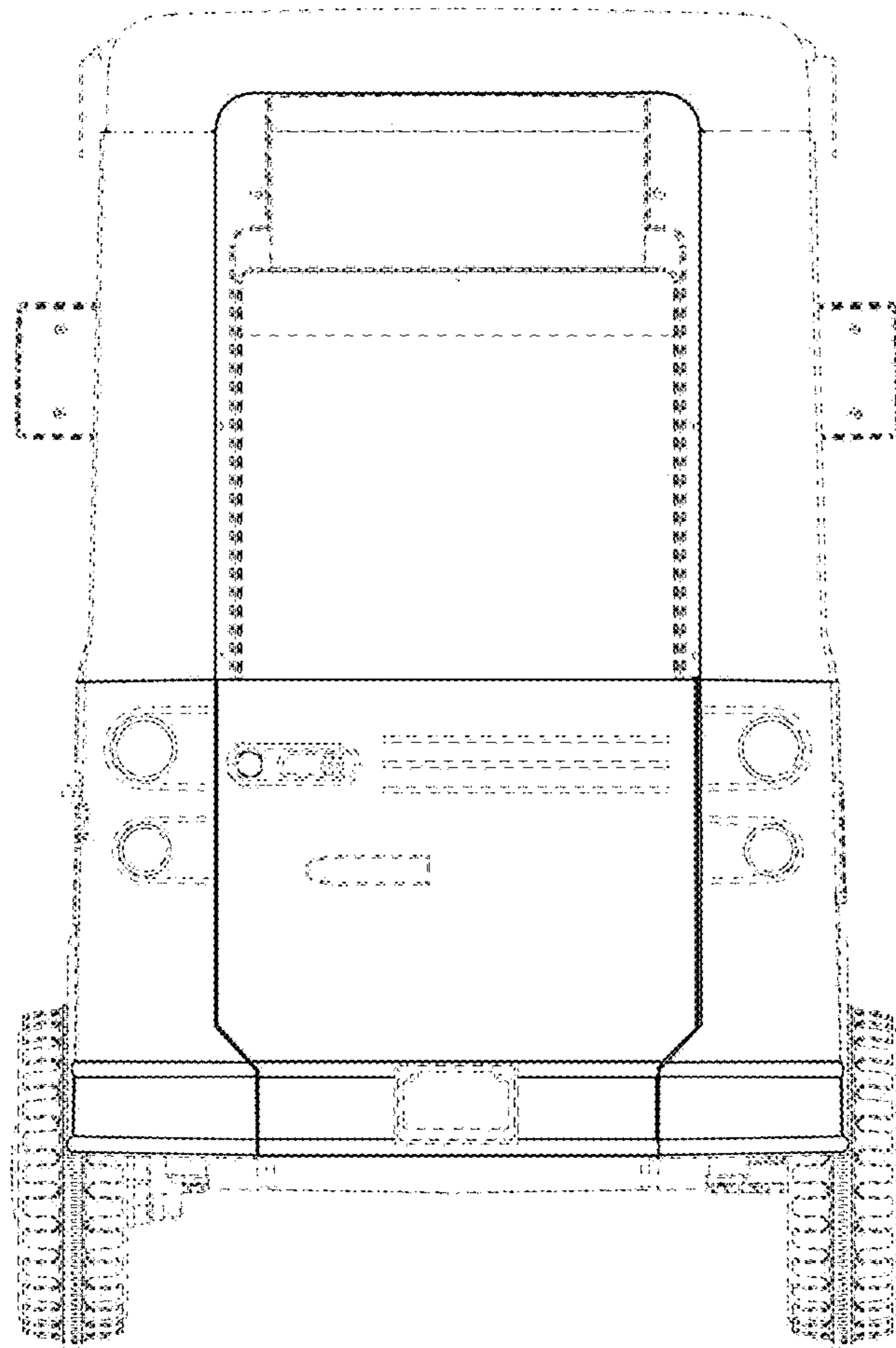


FIG. 4

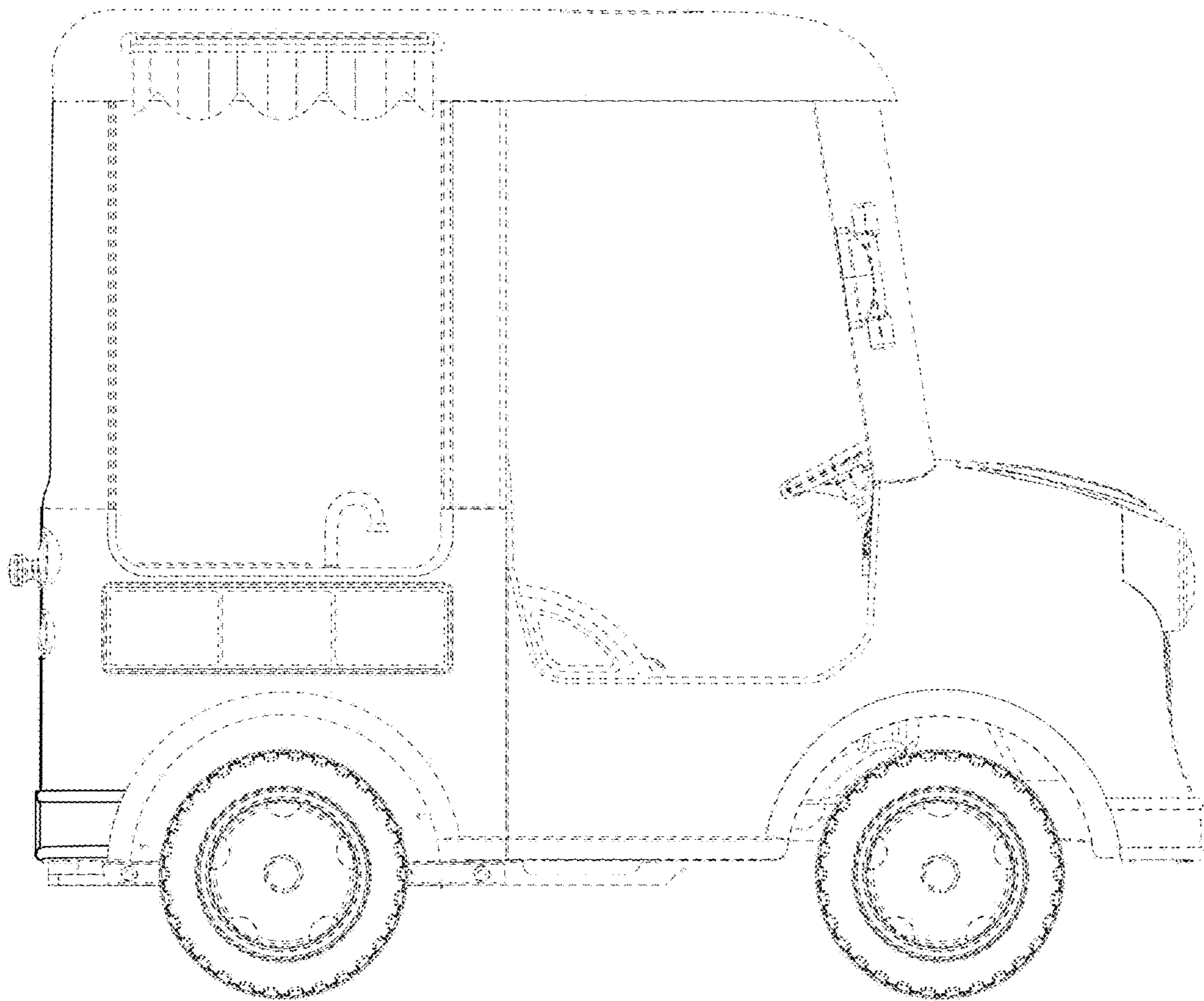


FIG. 5

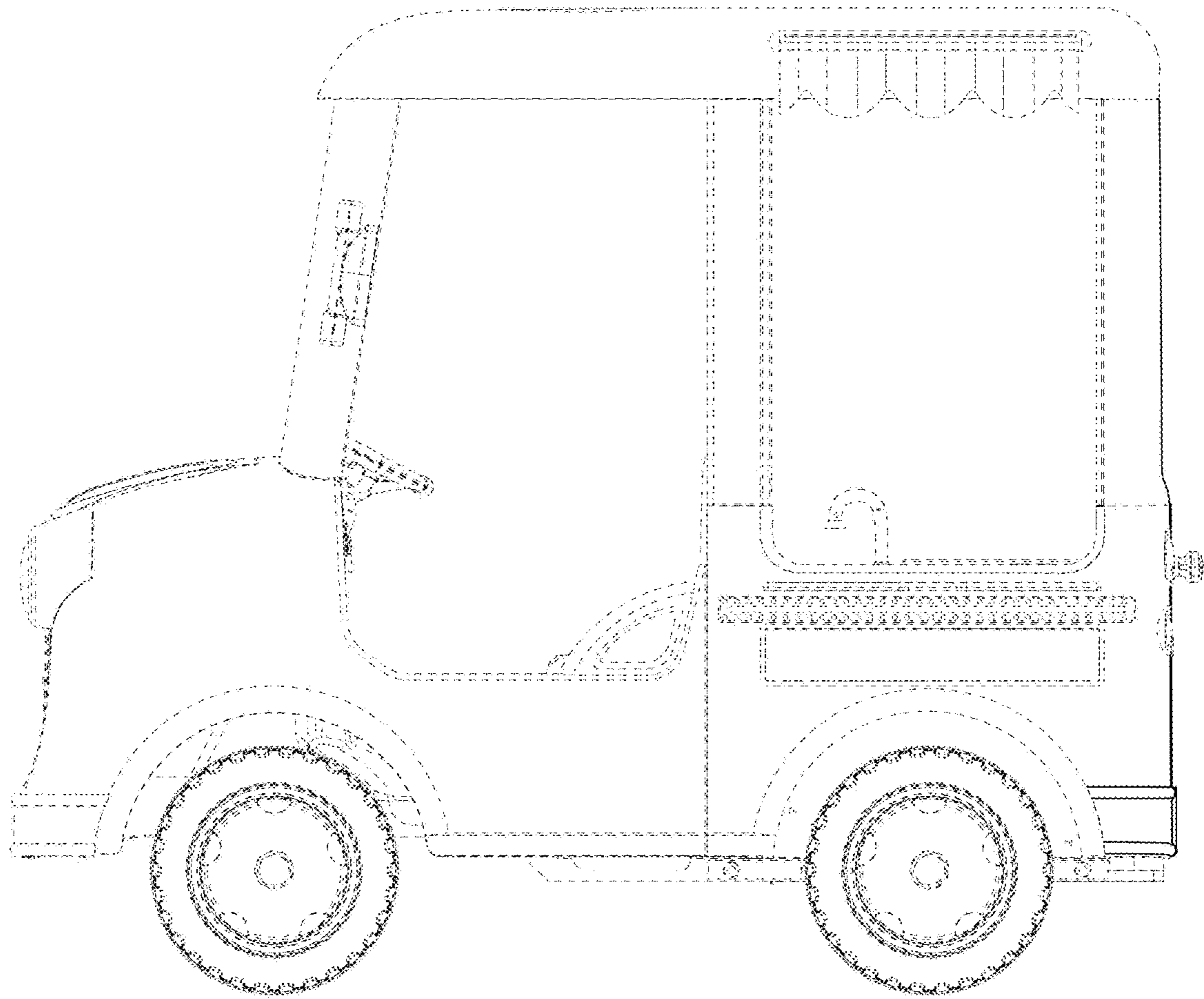


FIG. 6

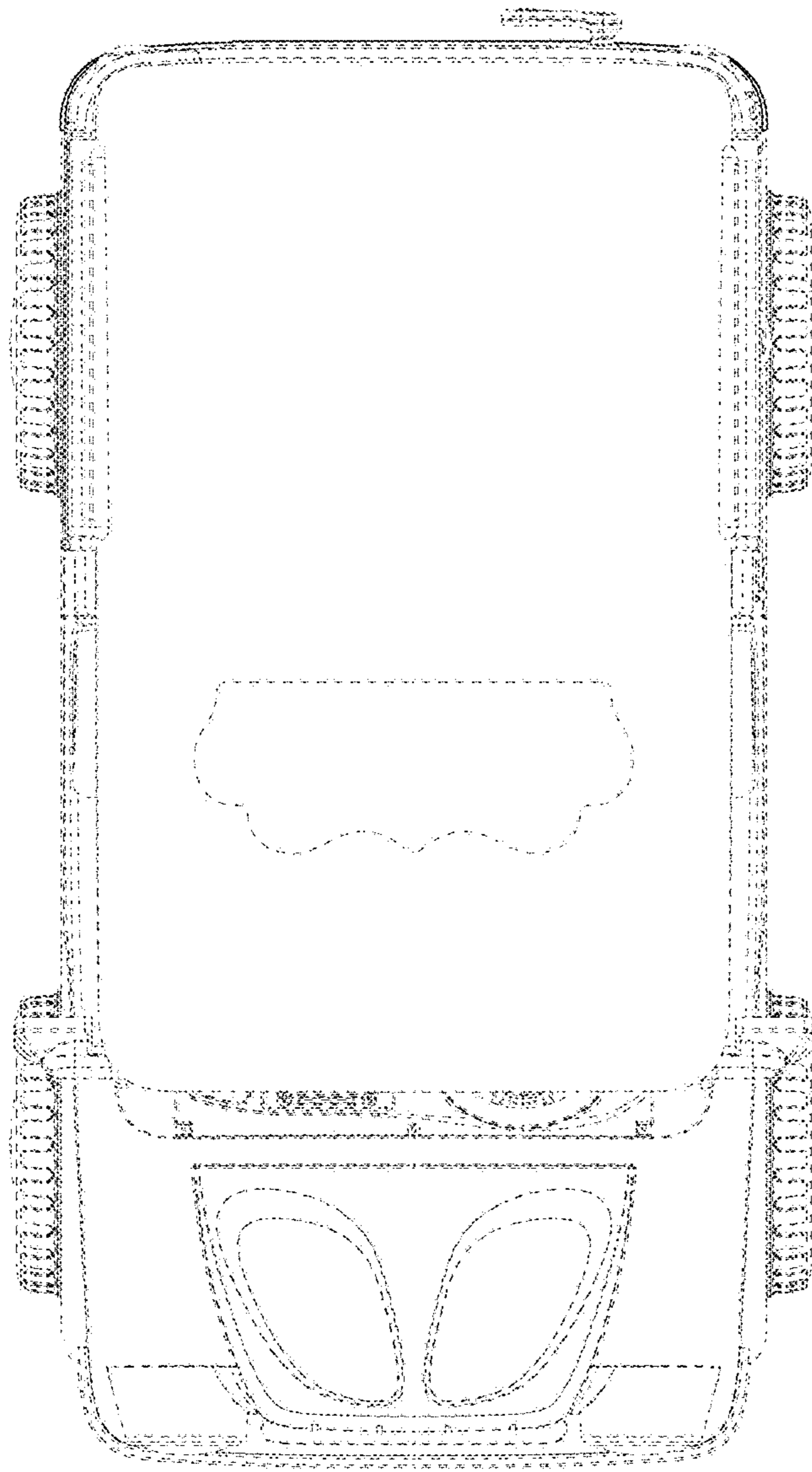


FIG. 7

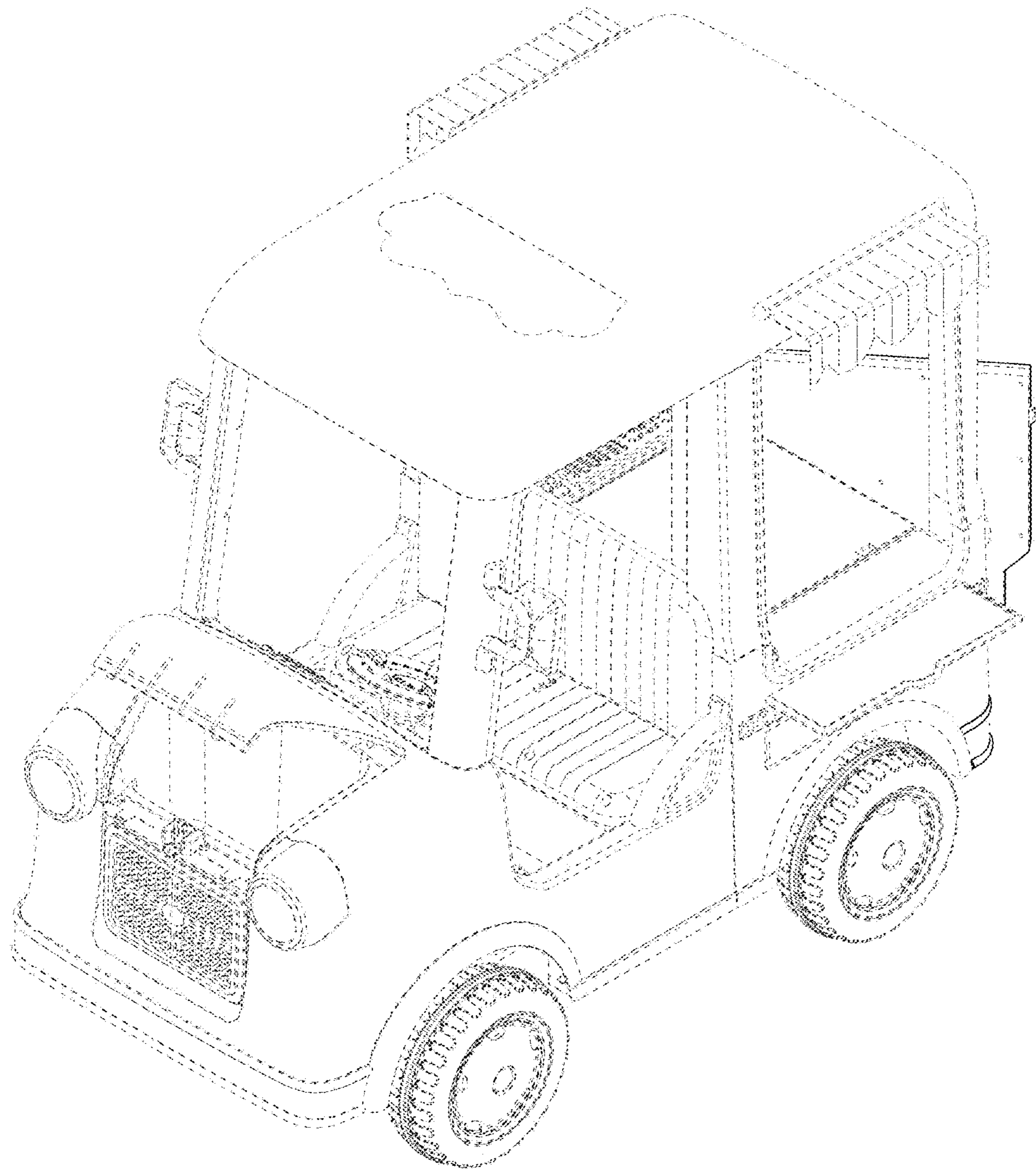


FIG. 8

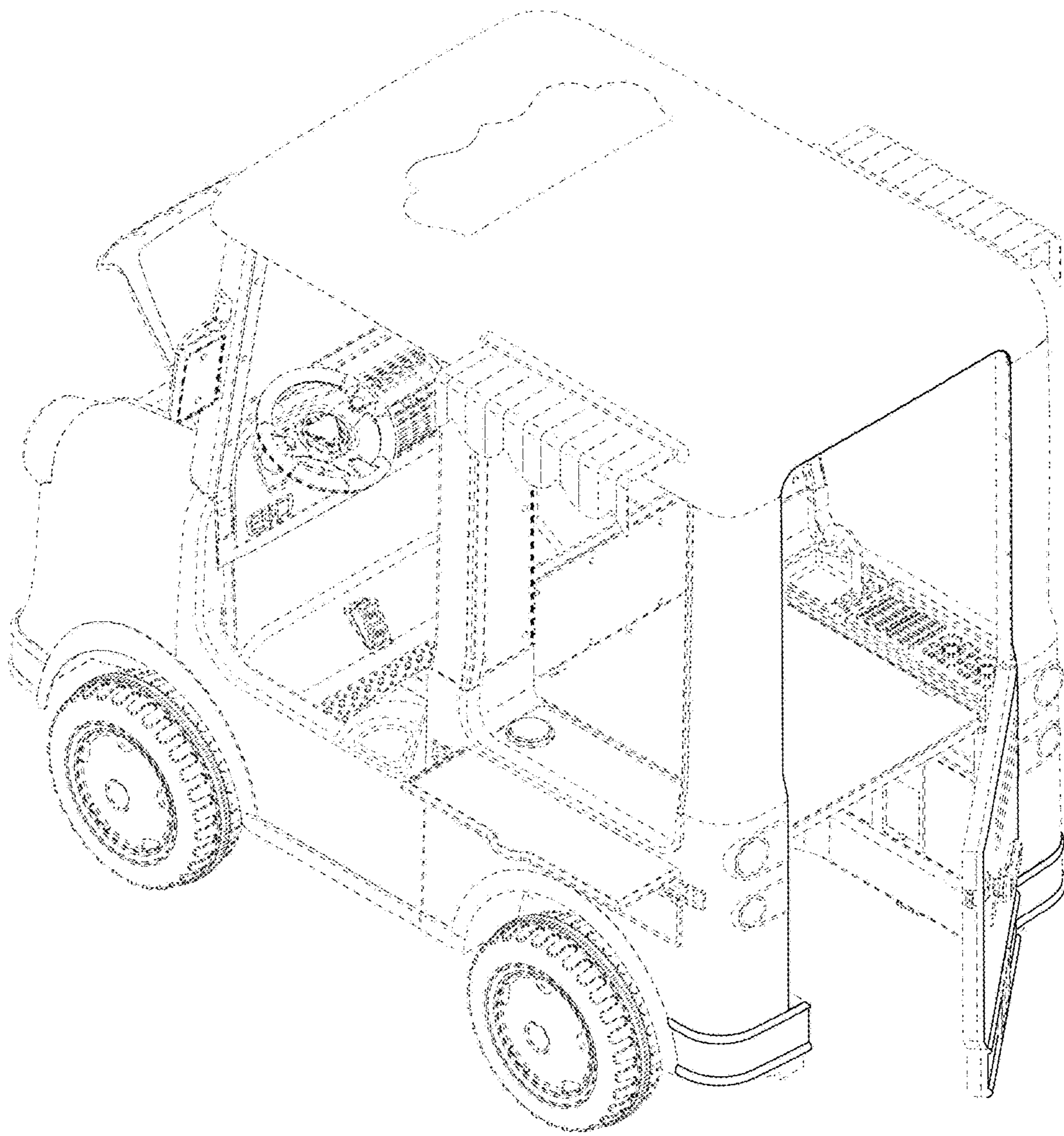


FIG. 9

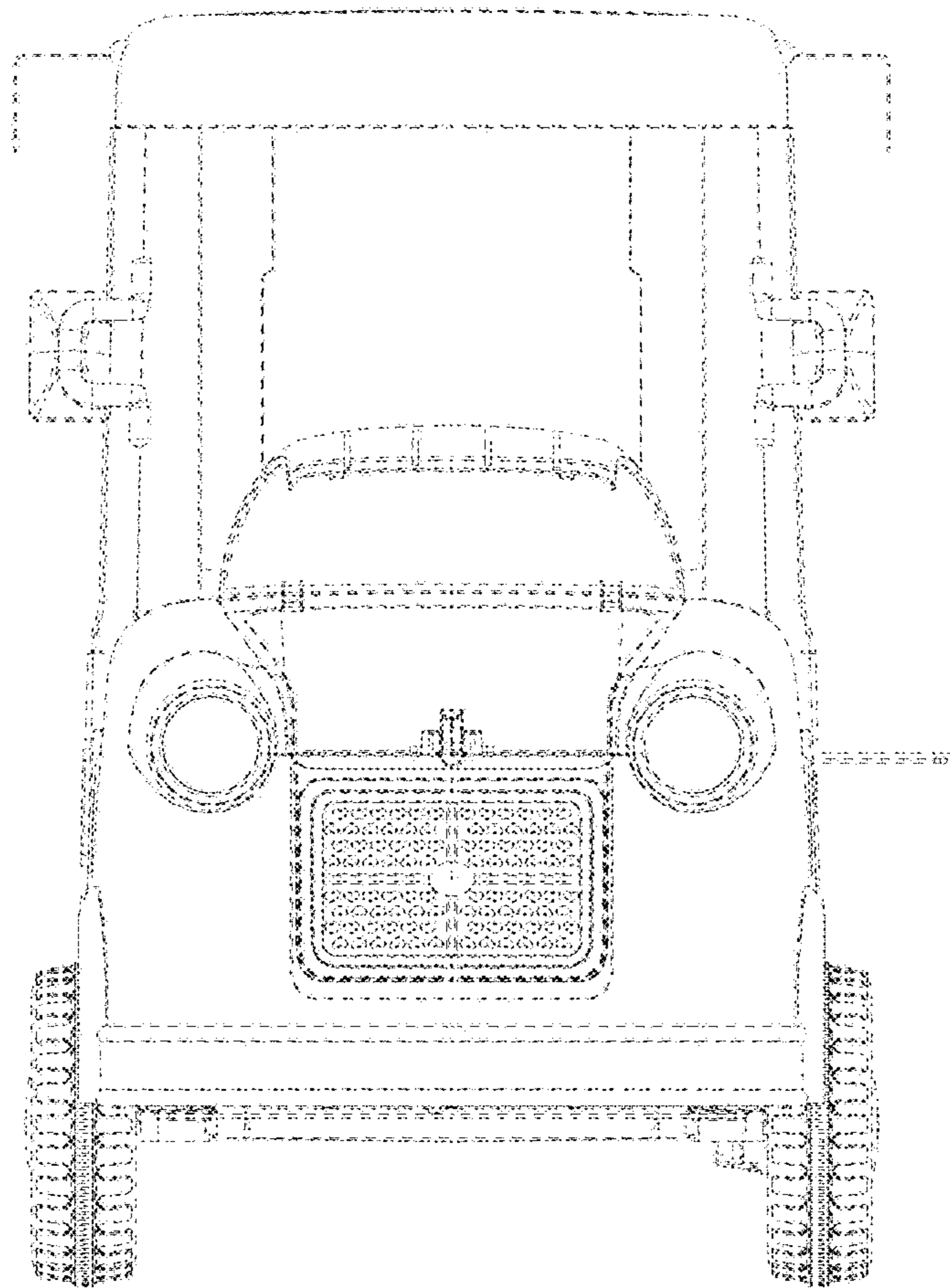


FIG. 10

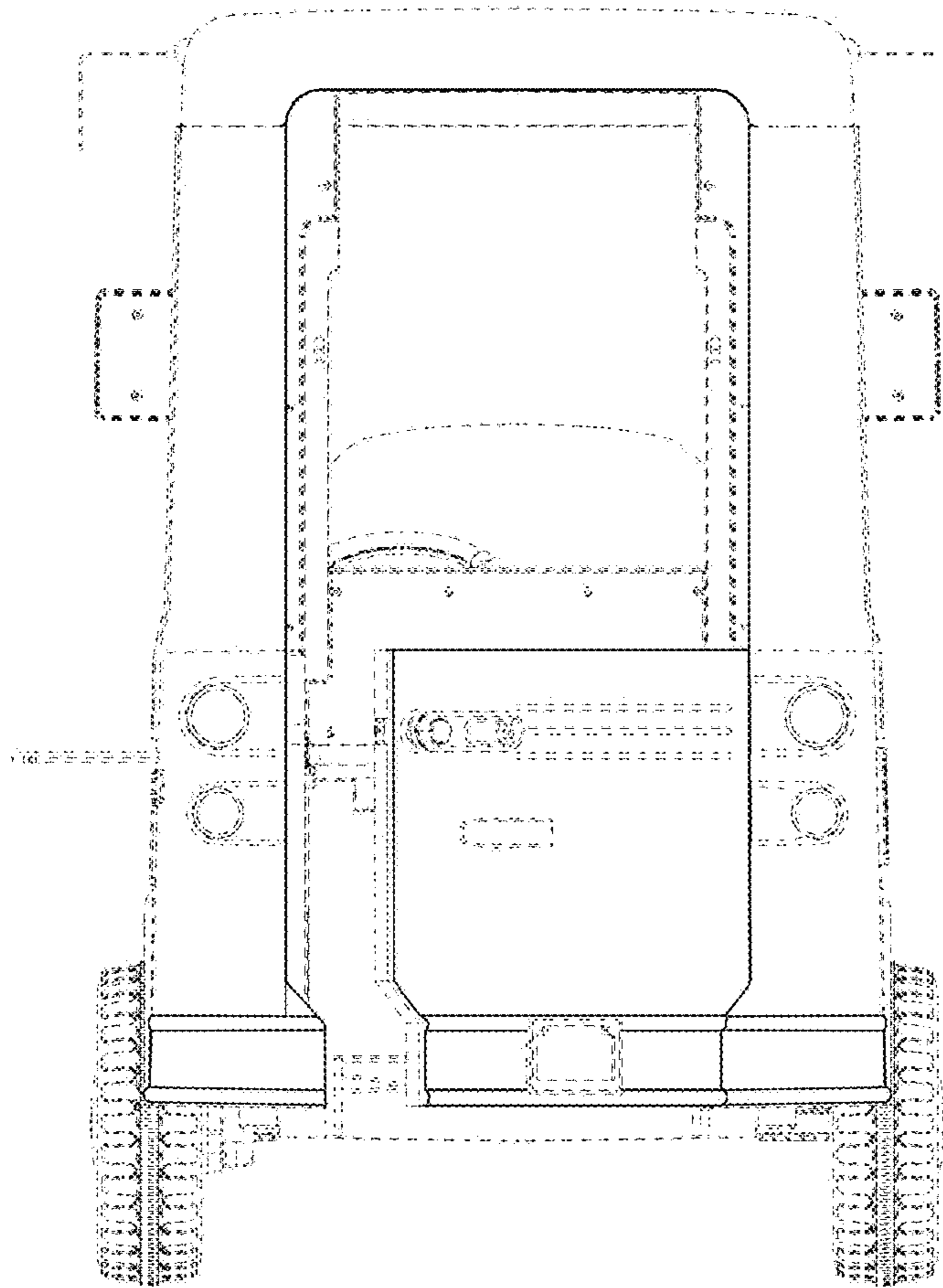


FIG. 11

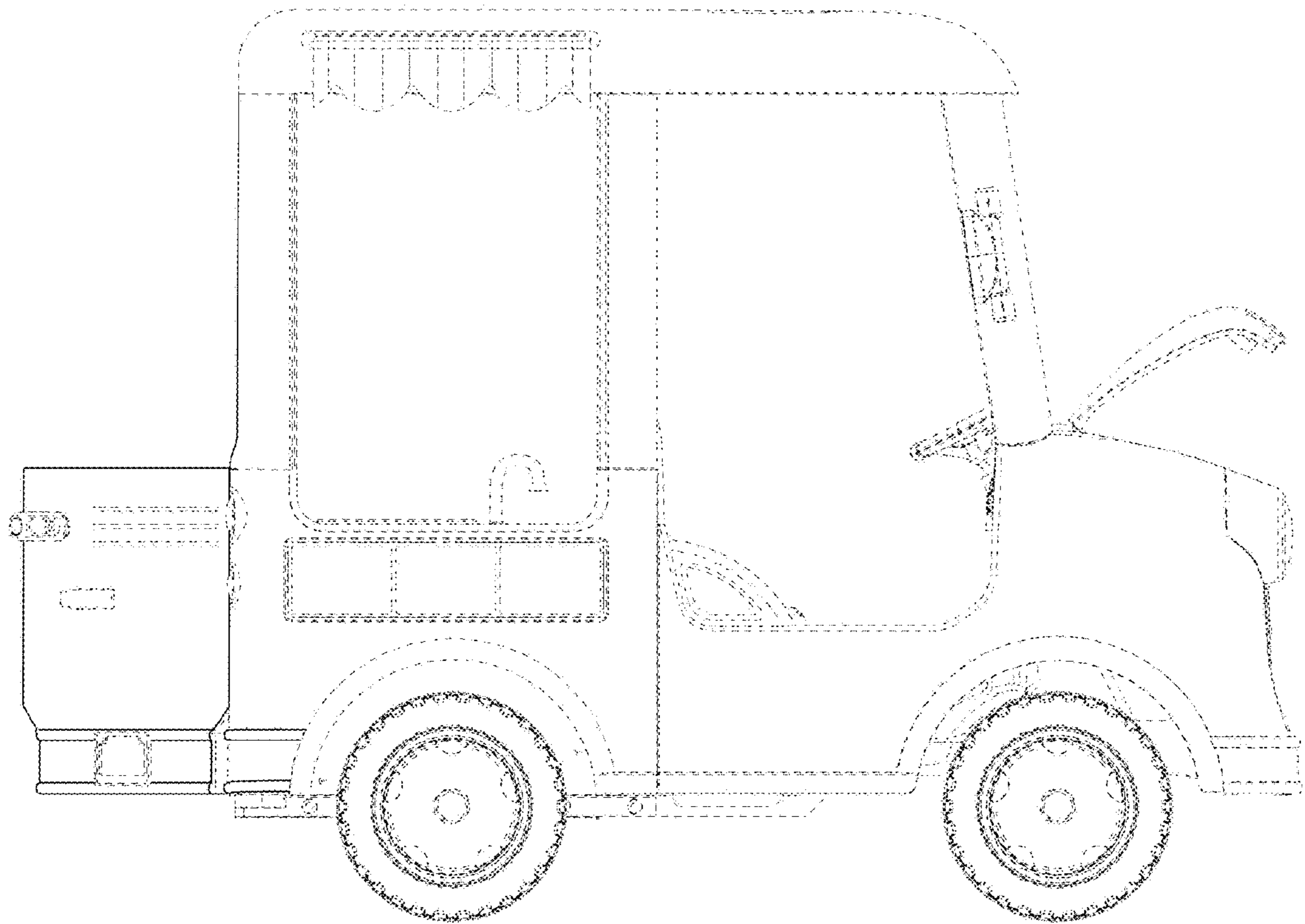


FIG. 12

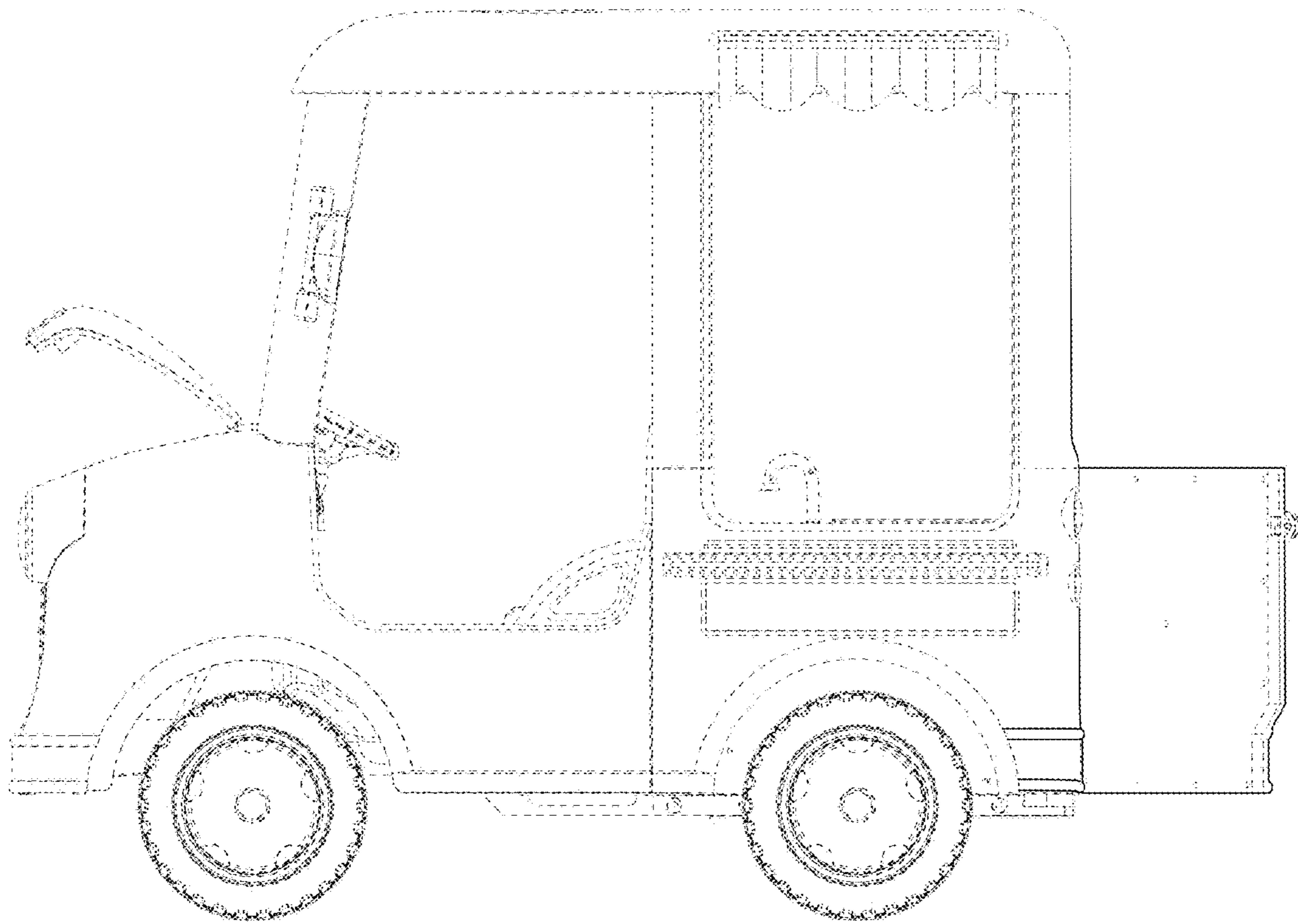


FIG. 13

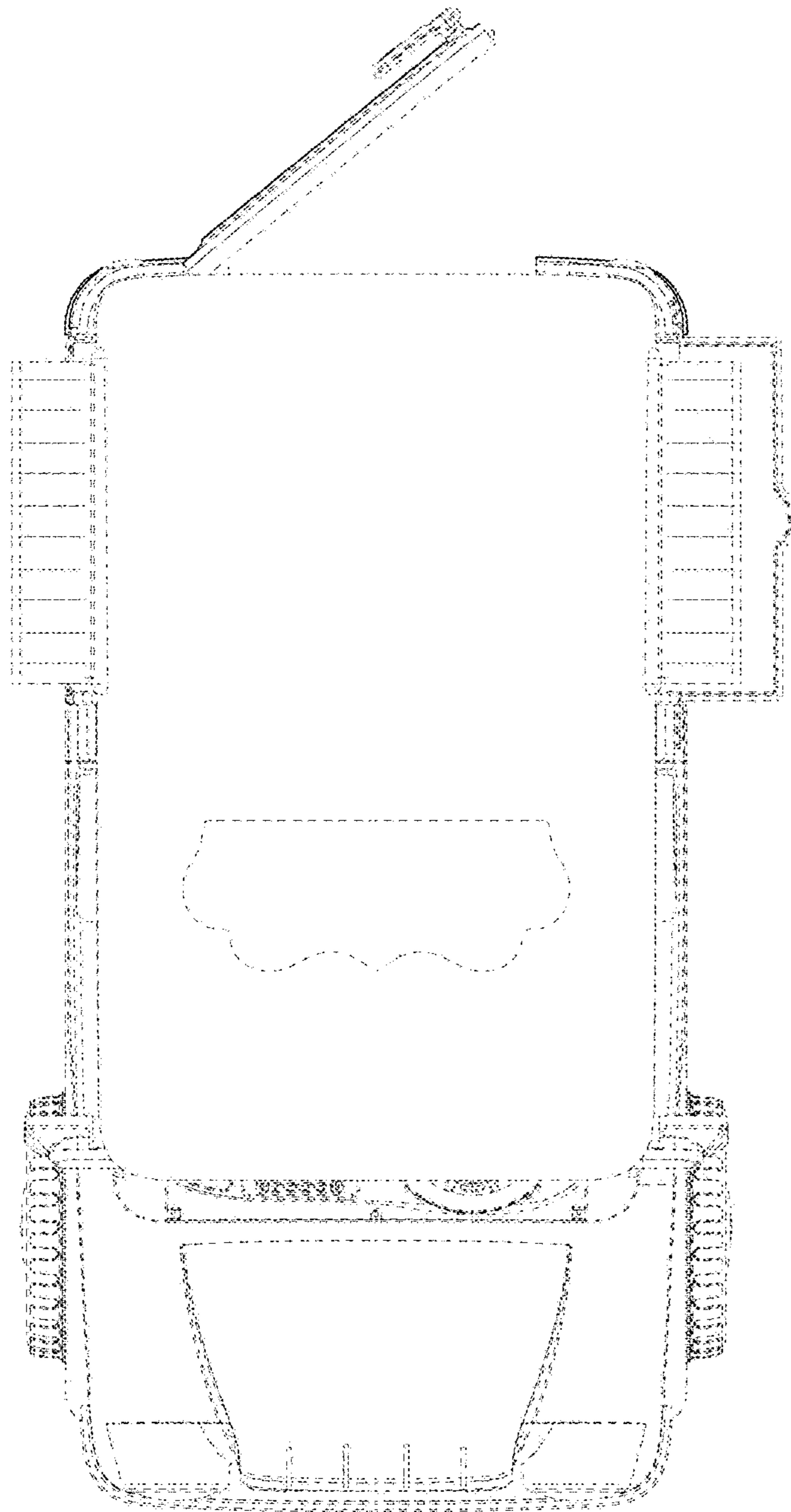


FIG. 14