



US00D977032S

(12) **United States Design Patent** (10) **Patent No.:** **US D977,032 S**
Du (45) **Date of Patent:** **** Jan. 31, 2023**

(54) **BUS TOY**

(71) Applicant: **Shantou Wei Zhi Kang Toys Company**, Guangdong Province (CN)

(72) Inventor: **Qingshan Du**, Guangdong Province (CN)

(73) Assignee: **Shantou Wei Zhi Kang Toys Company**, Guangdong Province (CN)

(**) Term: **15 Years**

(21) Appl. No.: **29/732,136**

(22) Filed: **Apr. 21, 2020**

(30) **Foreign Application Priority Data**

Mar. 27, 2020 (CN) 202030110142.X

(51) **LOC (14) Cl.** **21-01**

(52) **U.S. Cl.**
USPC **D21/552**

(58) **Field of Classification Search**
USPC D21/533, 548, 549, 550, 551, 552, 478, D21/336, 337, 347, 350; D12/82, 84
CPC A63H 17/00; A63H 17/045; A63H 17/02; A63H 17/004; A63H 17/05; A63H 33/003; B60Y 2200/14; B60Y 2200/143
See application file for complete search history.

(56) **References Cited**

U.S. PATENT DOCUMENTS

4,988,321 A * 1/1991 Goldfarb A63H 33/001 434/159
D327,713 S * 7/1992 Thomson D21/475
(Continued)

FOREIGN PATENT DOCUMENTS

CN 301523569 * 4/2011
CN 302917846 * 8/2014
(Continued)

OTHER PUBLICATIONS

VTECH's Toy London Double Decker Bus, available on YouTube.com, date posted Oct. 31, 2013, [site visited Dec. 27, 2021], URL: <https://www.youtube.com/watch?v=OOE1ck8w734> (Year: 2013).*

(Continued)

Primary Examiner — Dana K Weiland

Assistant Examiner — Emily Anna Saunders

(74) *Attorney, Agent, or Firm* — ScienBiziP, P.C.

(57) **CLAIM**

The ornamental design for a bus toy, as shown and described.

DESCRIPTION

FIG. 1 is a front perspective view of a bus toy, showing my design.

FIG. 2 is a rear perspective view thereof.

FIG. 3 is a front elevation view thereof.

FIG. 4 is a rear elevation view thereof.

FIG. 5 is a left side elevation view thereof.

FIG. 6 is a right side elevation view thereof.

FIG. 7 is a top plan view thereof.

FIG. 8 is a bottom plan view thereof.

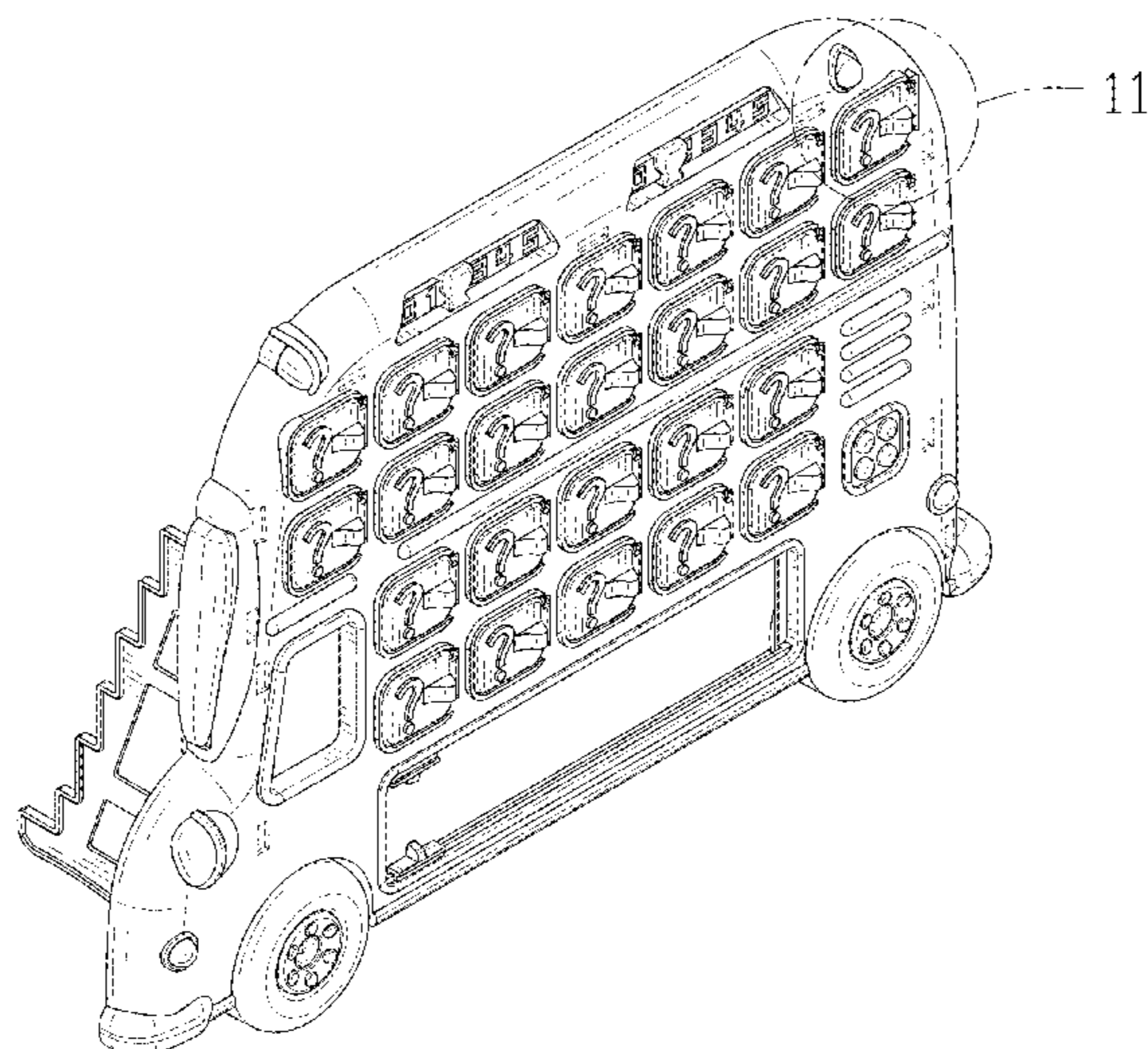
FIG. 9 is a front perspective view of the bus toy shown in an alternate configuration with the windows opened.

FIG. 10 is a rear perspective view of the bus toy shown in another alternate configuration with the racks folded up.

FIG. 11 is an enlarged view of an area labeled 11 in FIG. 1; and,

FIG. 12 is an enlarged view of an area labeled 12 in FIG. 2. The evenly spaced broken lines depict portions of the bus toy that form no part of the claim. The dot-dash broken lines encircling portions of the bus toy in FIGS. 1 and 2 illustrated in enlarged views in FIGS. 11 and 12 form no part of the claimed design.

1 Claim, 12 Drawing Sheets



(56)

References Cited

U.S. PATENT DOCUMENTS

D345,176 S * 3/1994 Monzyk D19/144
 D364,893 S * 12/1995 Willard D12/84
 5,669,307 A * 9/1997 Cichy B61B 1/02
 104/28
 5,716,212 A * 2/1998 Lee G09B 1/06
 273/272
 D423,052 S * 4/2000 Chan D19/59
 D600,136 S * 9/2009 Arora D9/676
 D602,710 S * 10/2009 Thurston D6/674
 D624,602 S * 9/2010 Silverman D21/337
 D710,460 S * 8/2014 Hattori D21/552
 D714,880 S * 10/2014 Hattori D21/551
 D724,158 S * 3/2015 Tsuchiya D21/559
 D759,761 S * 6/2016 Connell D21/337
 2012/0268599 A1 * 10/2012 Schmidt H04N 7/181
 348/148

FOREIGN PATENT DOCUMENTS

CN 306211022 * 12/2020
 CN 306329639 * 2/2021
 CN 306588662 * 6/2021

OTHER PUBLICATIONS

Pinkfong Baby Shark Bus, available on amazon.com, release date Jul. 6, 2020, [site visited Dec. 27, 2021], URL: <https://www.amazon.com/Pinkfong-Baby-Shark-Official-Alphabet/dp/B07WFHRZ55/> (Year: 2020).*

Baby Toy Bus with Songs, available on amazon.com, oldest customer review Dec. 1, 2021, [site visited Dec. 27, 2021], URL: <https://www.amazon.com/Numbers-Toddlers-Learning-Educational-Light-Up/dp/B093CL4PD7/> (Year: 2021).*

Tayo the Little Bus Amusement Park Playset, available on YouTube.com, date posted Sep. 13, 2019, [site visited Dec. 27, 2021], URL: <https://www.youtube.com/watch?v=YDuAZFNnE-A> (Year: 2019).*

Learning School Bus Toy, available on amazon.com, oldest customer review Dec. 12, 2019, [site visited Dec. 27, 2021], URL: <https://www.amazon.com/Learning-School-Bus-Lights-Music/dp/B07VQP31JS/> (Year: 2019).*

* cited by examiner

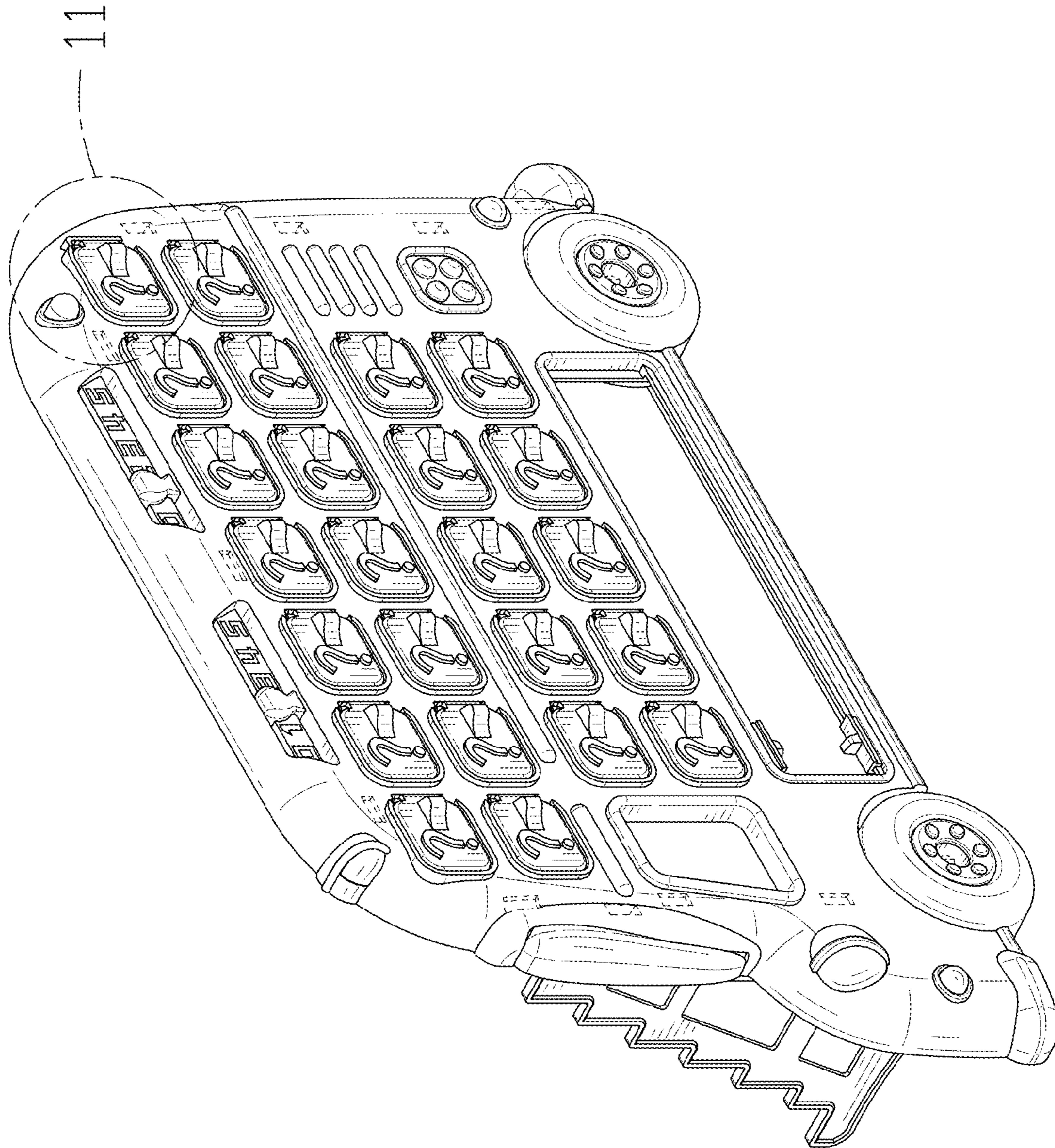


FIG. 1

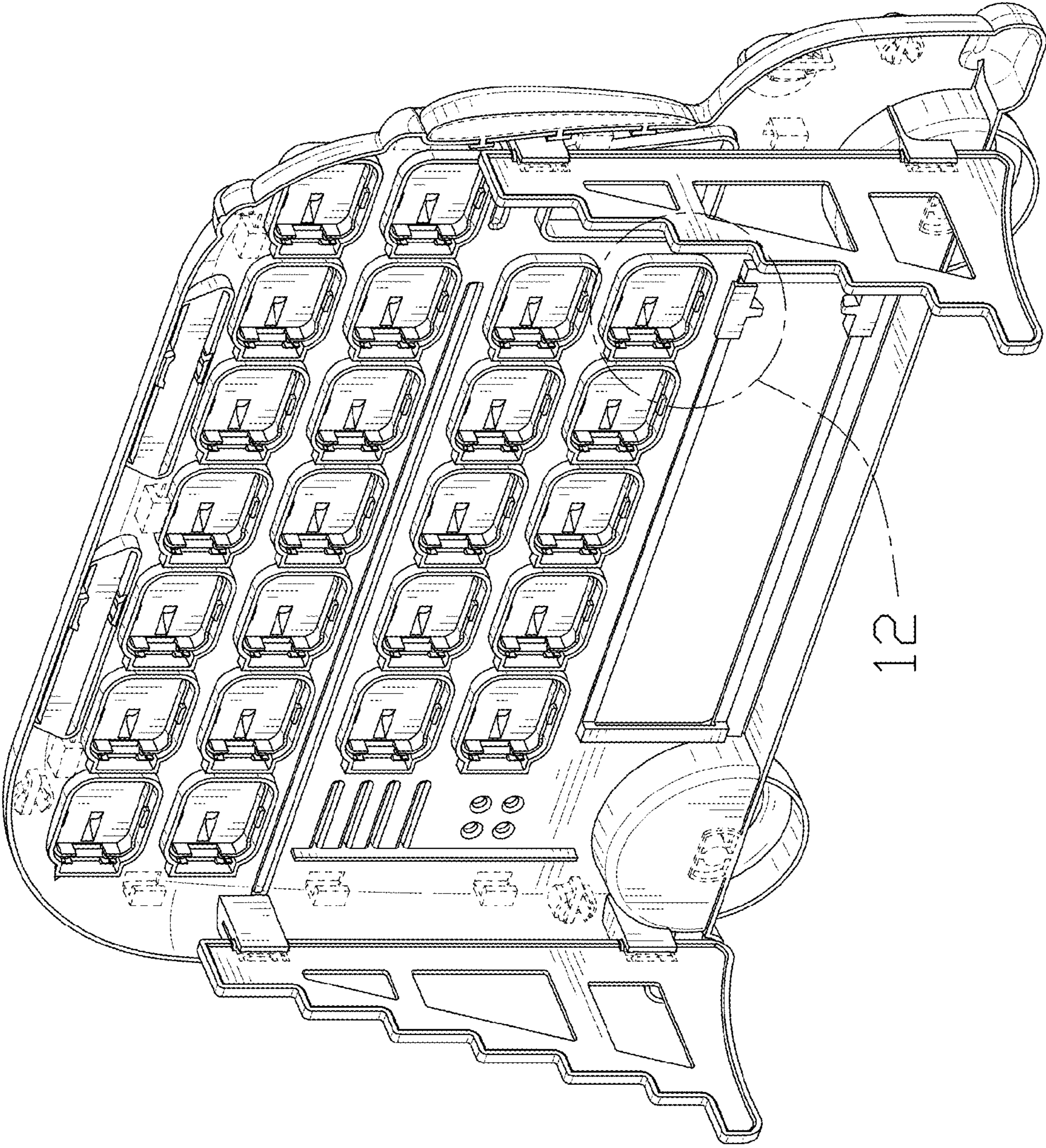


FIG. 2

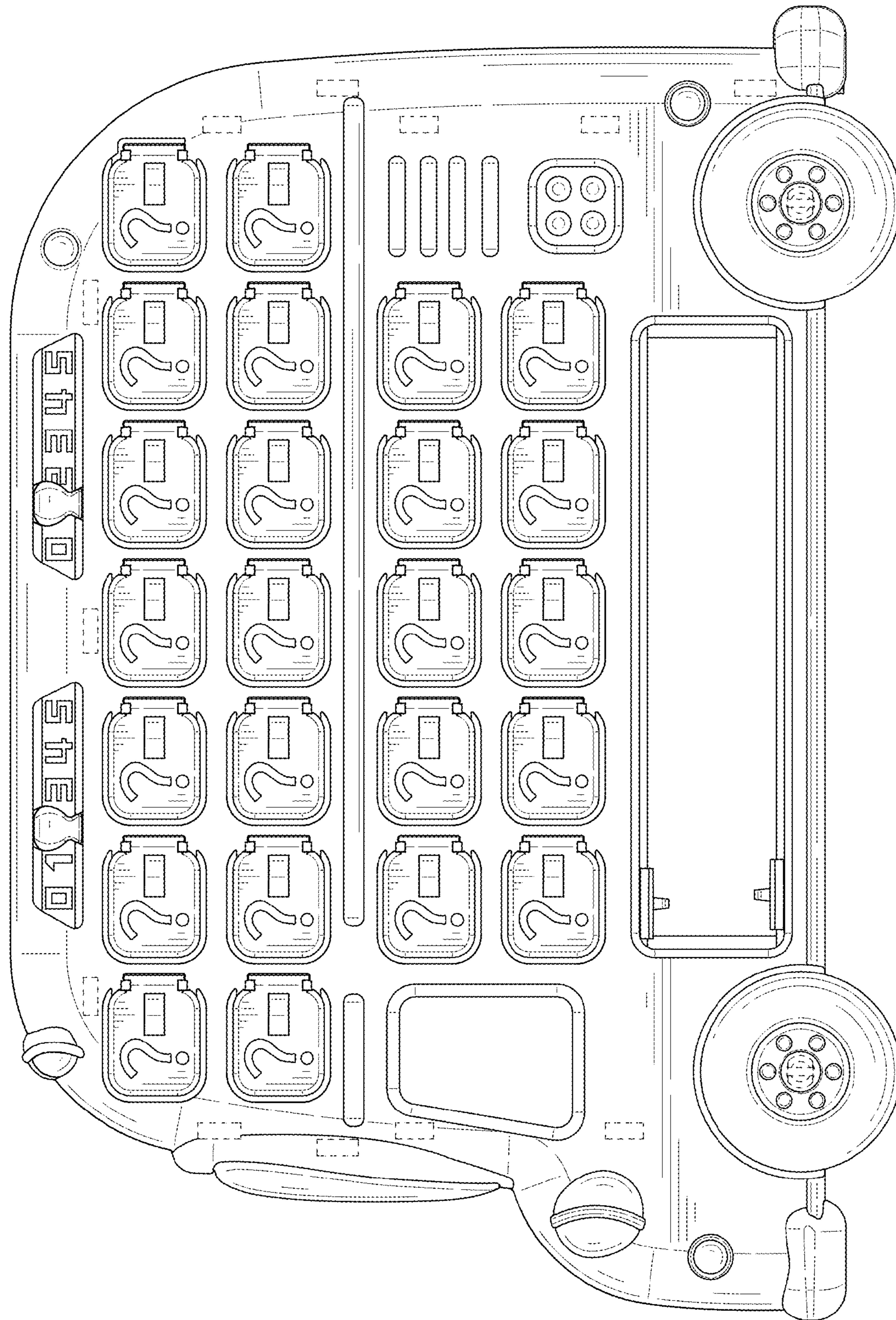


FIG. 3

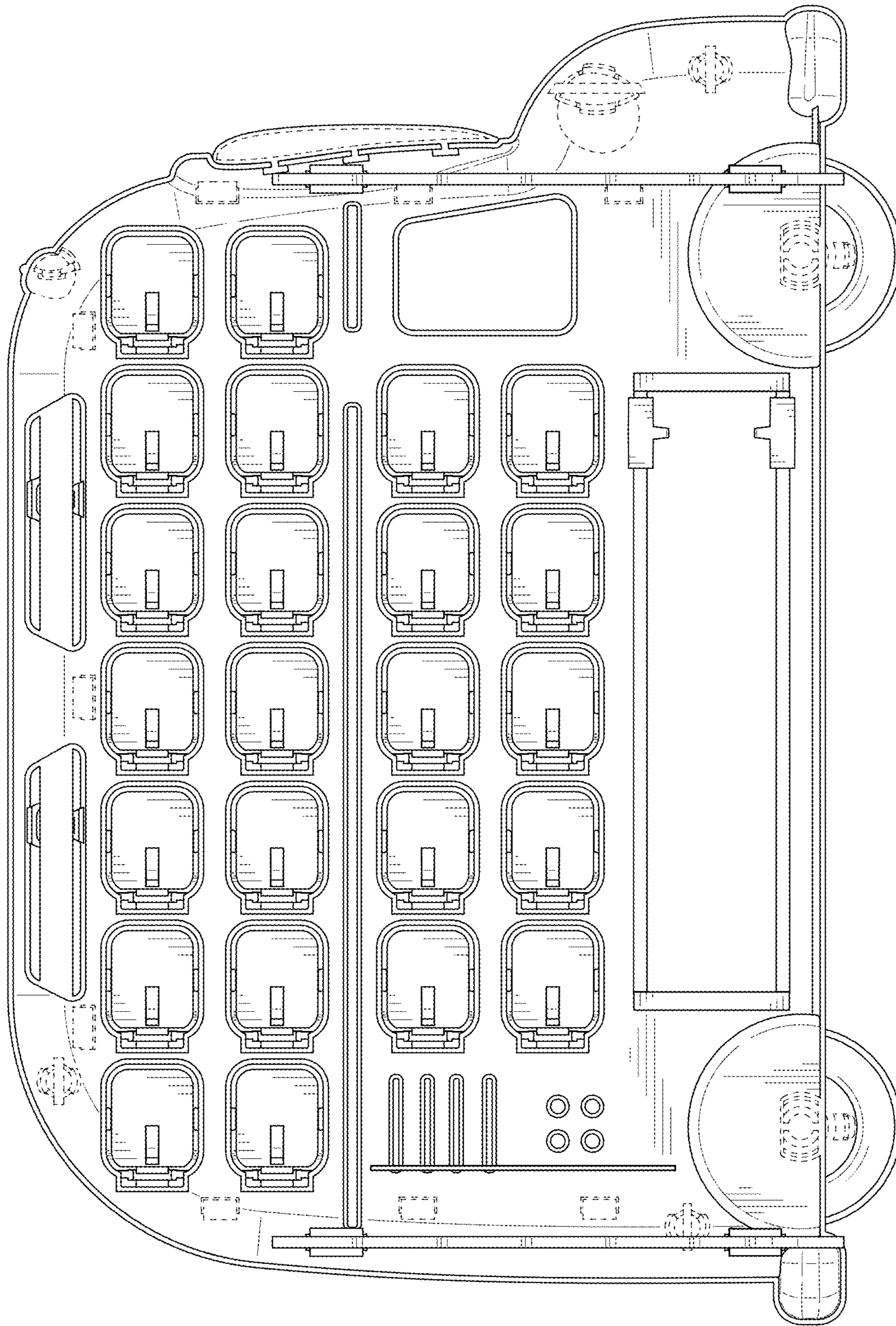


FIG. 4

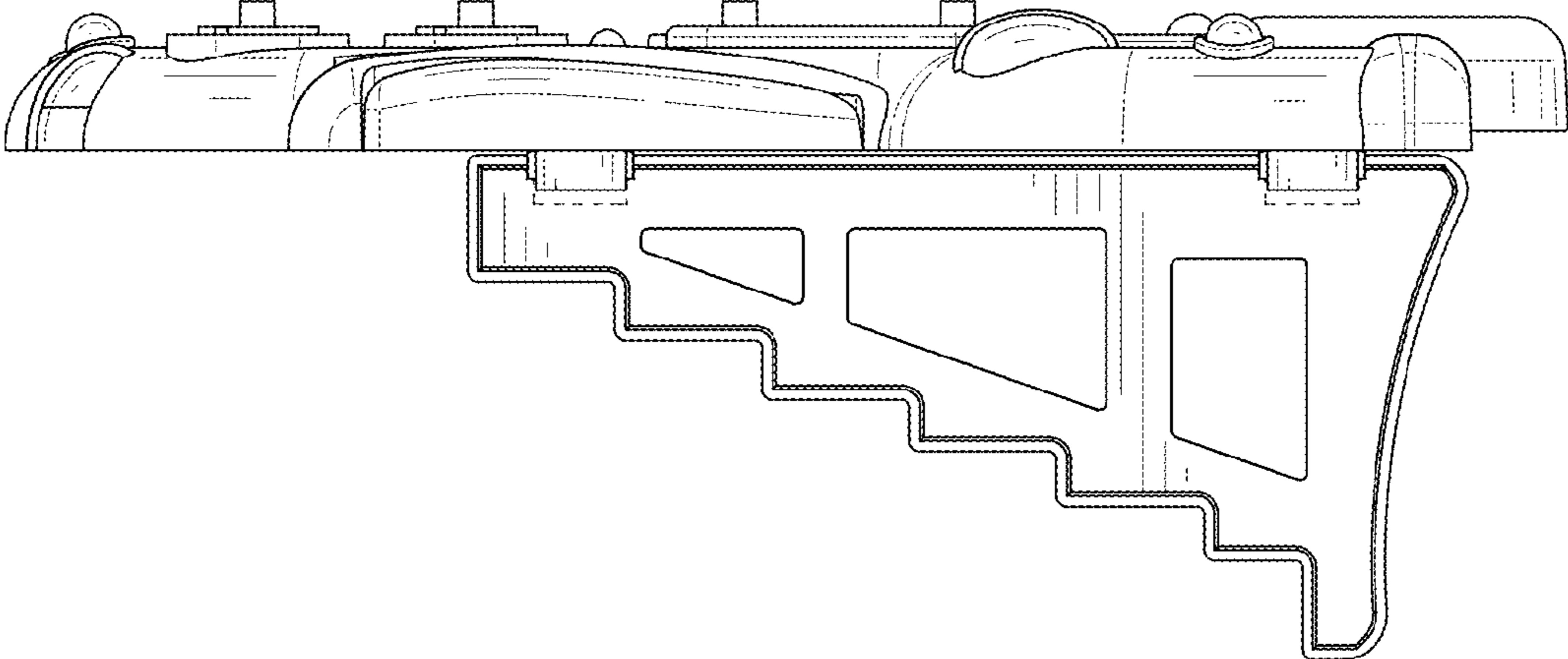


FIG. 5

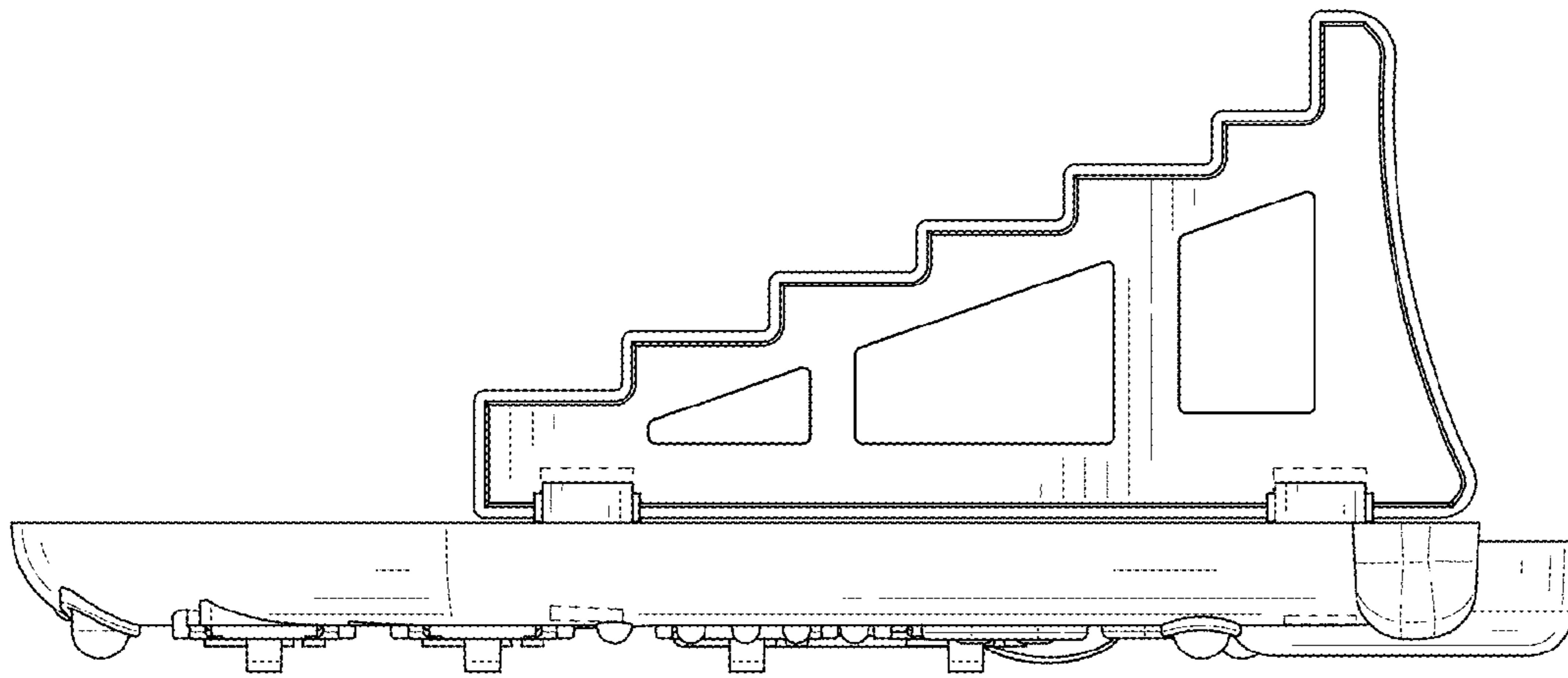


FIG. 6

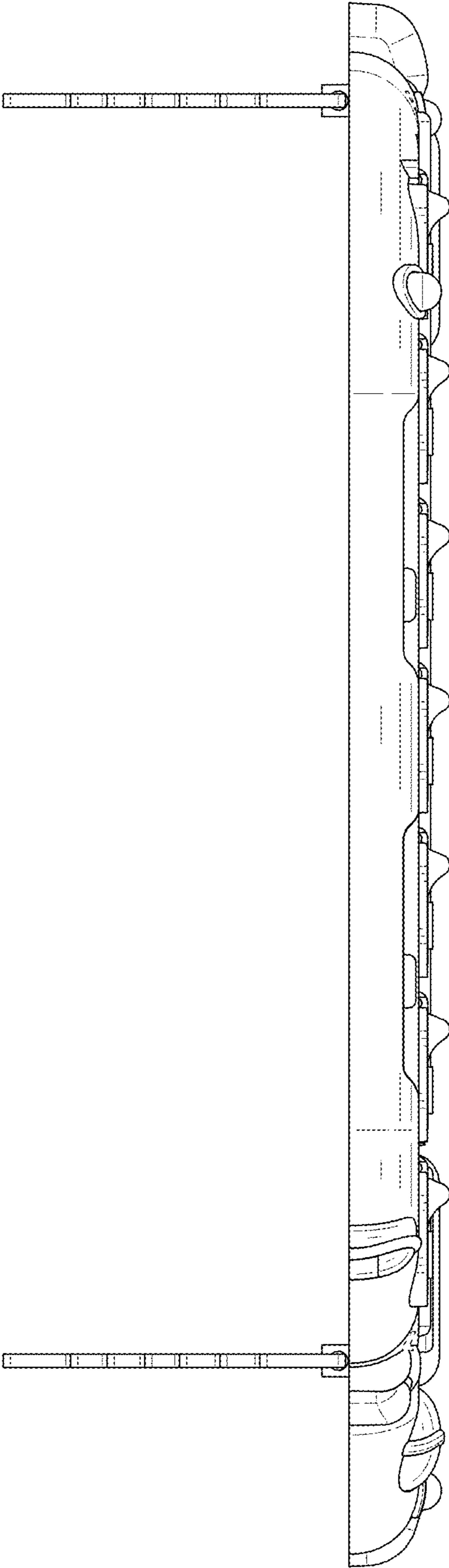


FIG. 7

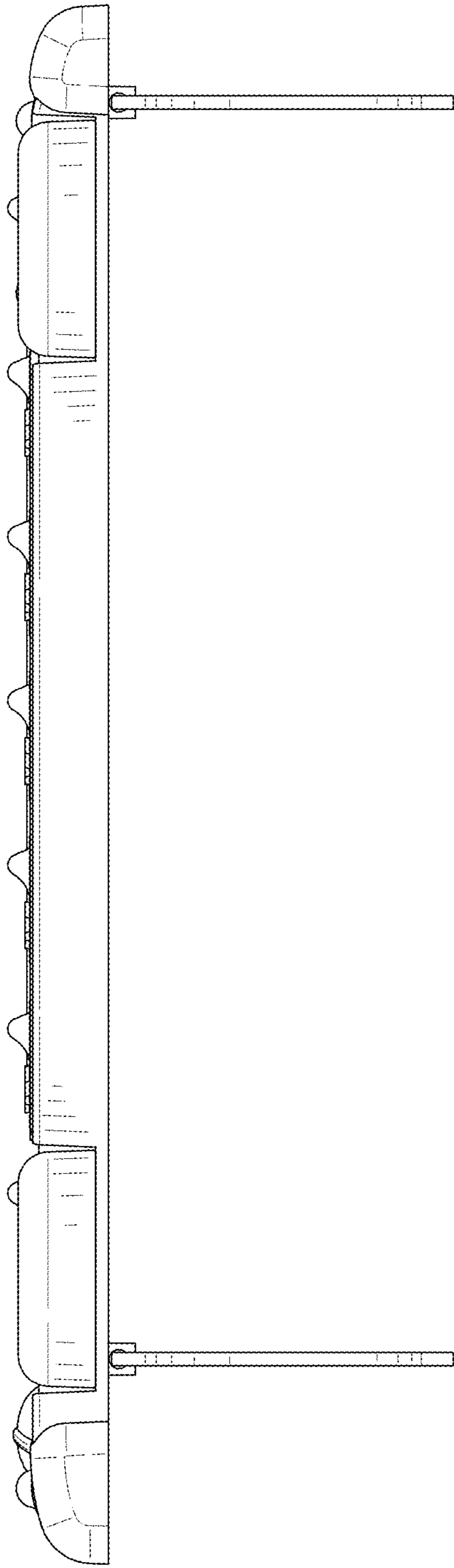


FIG. 8

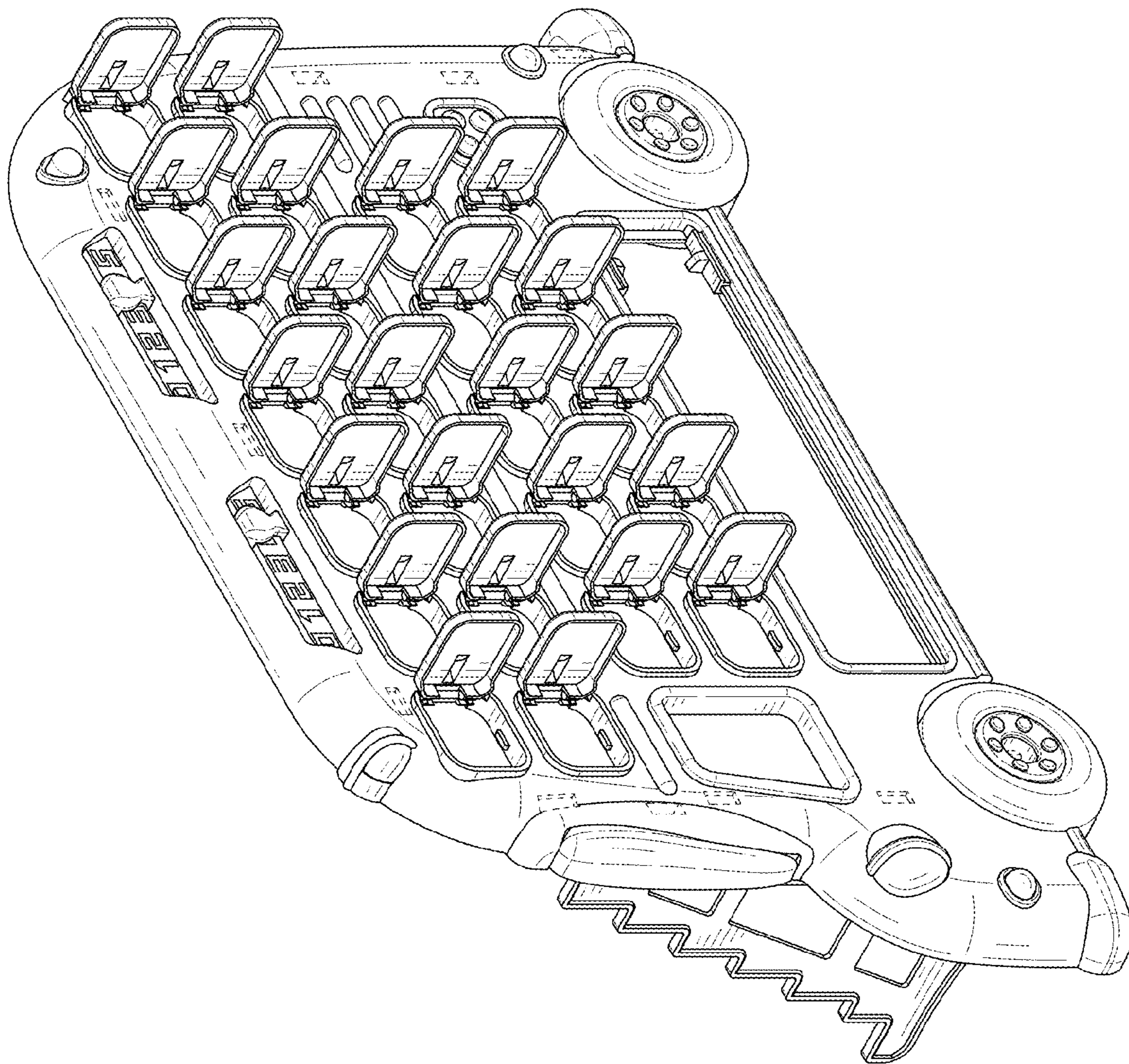


FIG. 9

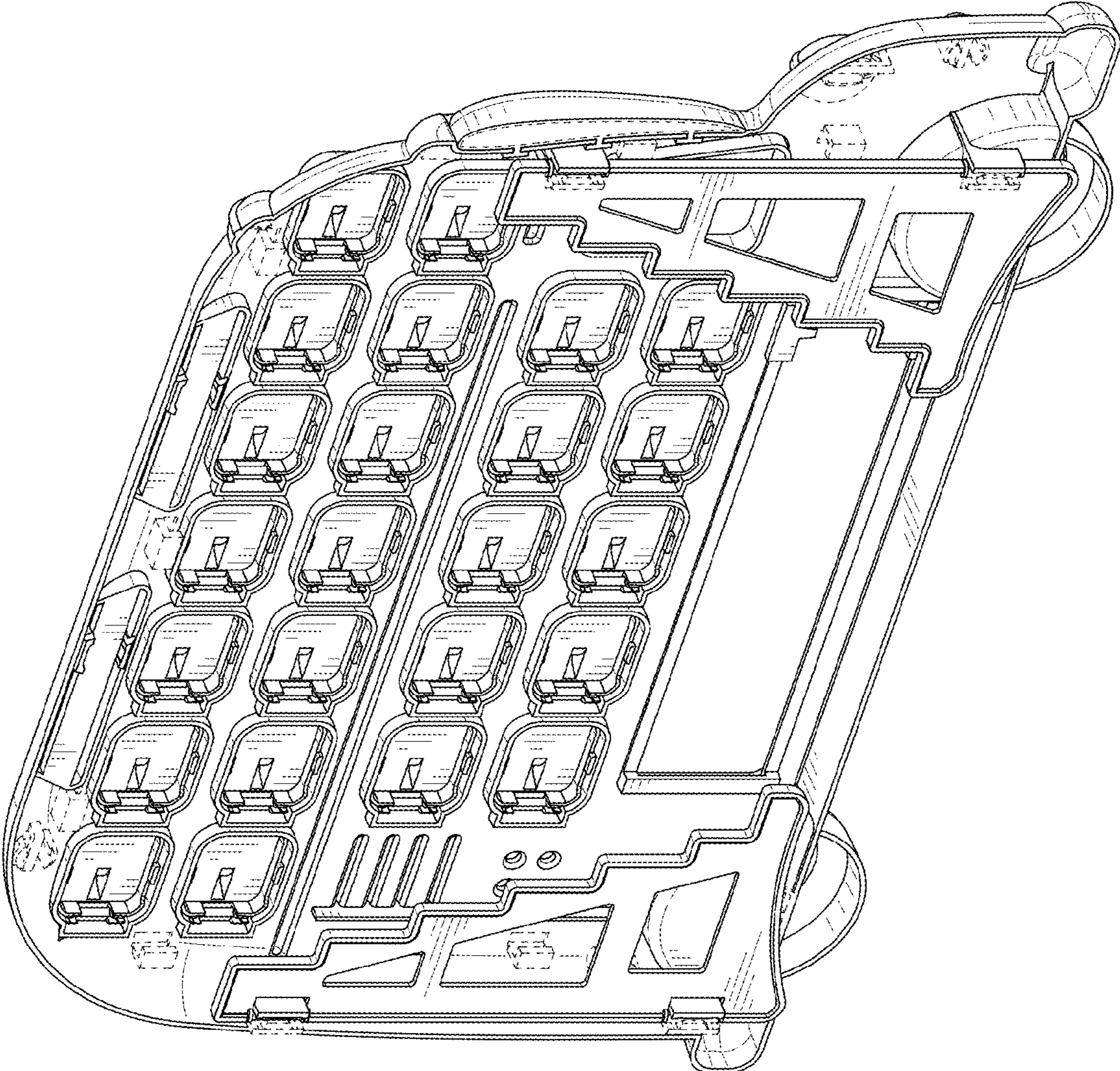


FIG. 10

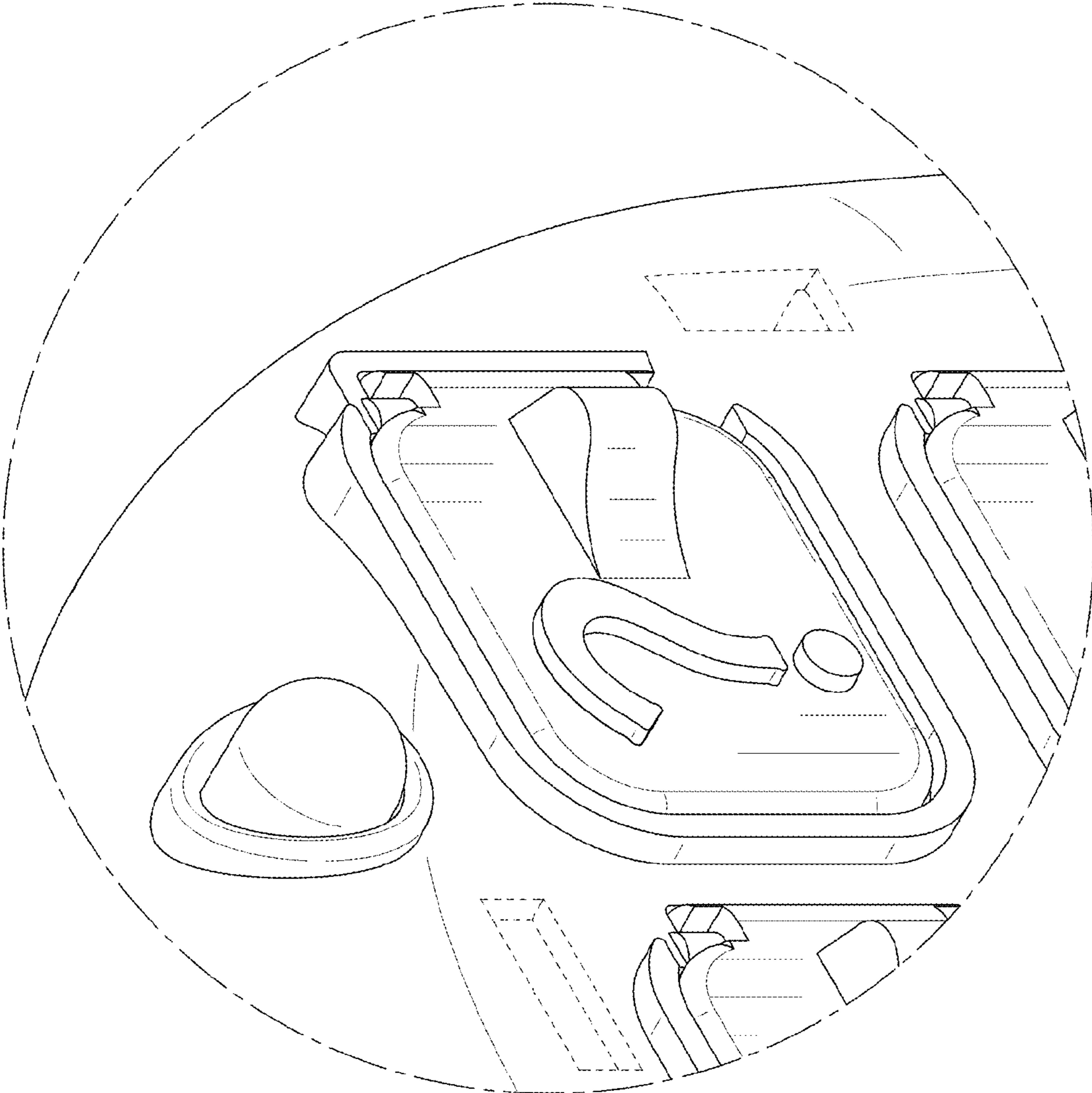


FIG. 11

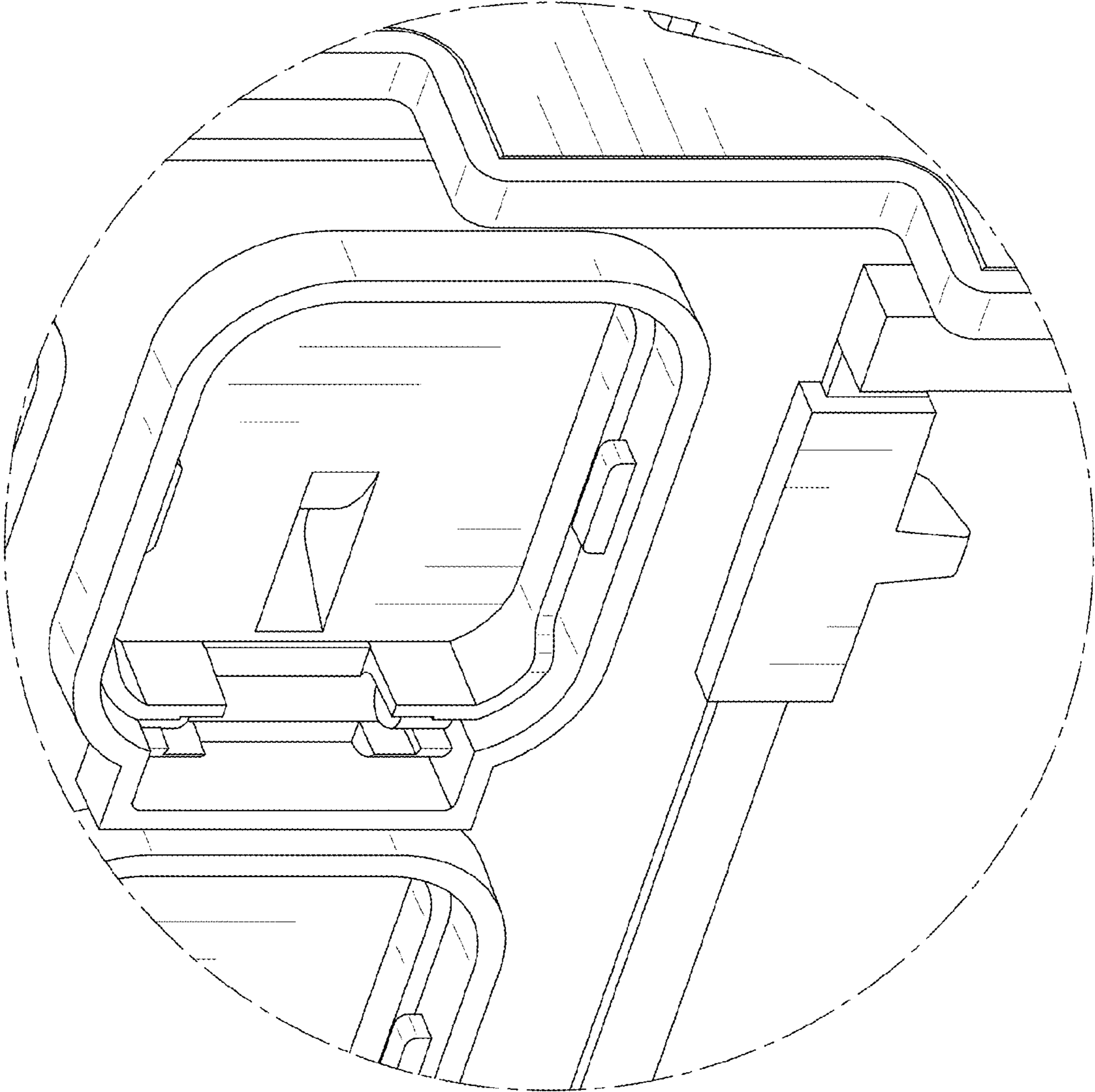


FIG. 12