



US00D977030S

(12) **United States Design Patent**
Park et al.

(10) **Patent No.:** **US D977,030 S**
(45) **Date of Patent:** **** Jan. 31, 2023**

(54) **TOY BLOCK**

(71) Applicant: **GYMWORLD INC.**, Seoul (KR)

(72) Inventors: **Kee Young Park**, Seoul (KR); **Chang Moon Lee**, Gwangmyeong-si (KR); **So Lee Kang**, Seoul (KR); **Jo Un Yi**, Seoul (KR); **Yeong Du Jeon**, Gimpo-si (KR)

(73) Assignee: **GYMWORLD INC.**, Seoul (KR)

(**) Term: **15 Years**

(21) Appl. No.: **29/746,094**

(22) Filed: **Aug. 11, 2020**

(30) **Foreign Application Priority Data**

Jul. 16, 2020 (KR) 30-2020-0032936

(51) **LOC (14) Cl.** **21-01**

(52) **U.S. Cl.**
USPC **D21/504**

(58) **Field of Classification Search**
USPC D21/381, 484, 485, 486, 489, 491, 492, D21/494, 498, 499, 500, 501, 502, 503, D21/504, 505, 344, 398, 455, 467, 468, D21/470, 473, 475, 478, 479, 480, 645, D21/445, 458, 461, 462, 463, 464, 460, D21/459; D11/133, 157; D8/300, 303, D8/310, 312

CPC A63F 9/06; A63F 9/08; A63F 9/16; A63H 33/04; A63H 1/00-32; G09B 1/00; G09B 1/02; G09B 1/06

See application file for complete search history.

(56) **References Cited**

U.S. PATENT DOCUMENTS

D47,069 S * 3/1915 Burns D8/312
D200,325 S * 2/1965 Fuchs D21/460
D206,373 S * 12/1966 James D8/321

D233,497 S * 11/1974 Zelkowitz D21/397
D241,055 S * 8/1976 Wohlstrom D21/460
D269,688 S * 7/1983 Molenaar D21/460
D274,690 S * 7/1984 Cesaroni D8/310

(Continued)

FOREIGN PATENT DOCUMENTS

CN 306826085 * 9/2021
JP D1566389 * 12/2019

(Continued)

OTHER PUBLICATIONS

Magformers Magnets in Motion, available on Amazon.com, oldest customer review Nov. 13, 2014, [site visited May 3, 2022], URL: <https://www.amazon.com/Magformers-Accessory-20-pieces-Educational-Construction/dp/B00J5L1MIE/> (Year: 2014).*

(Continued)

Primary Examiner — Dana K Weiland

Assistant Examiner — Emily Anna Saunders

(74) *Attorney, Agent, or Firm* — Stuebaker & Brackett PC

(57) **CLAIM**

The ornamental design for a toy block, as shown and described.

DESCRIPTION

FIG. 1 is a perspective view of a toy block showing the new design;

FIG. 2 is a rear perspective view thereof;

FIG. 3 is a front view thereof;

FIG. 4 is a rear thereof;

FIG. 5 is a left side thereof;

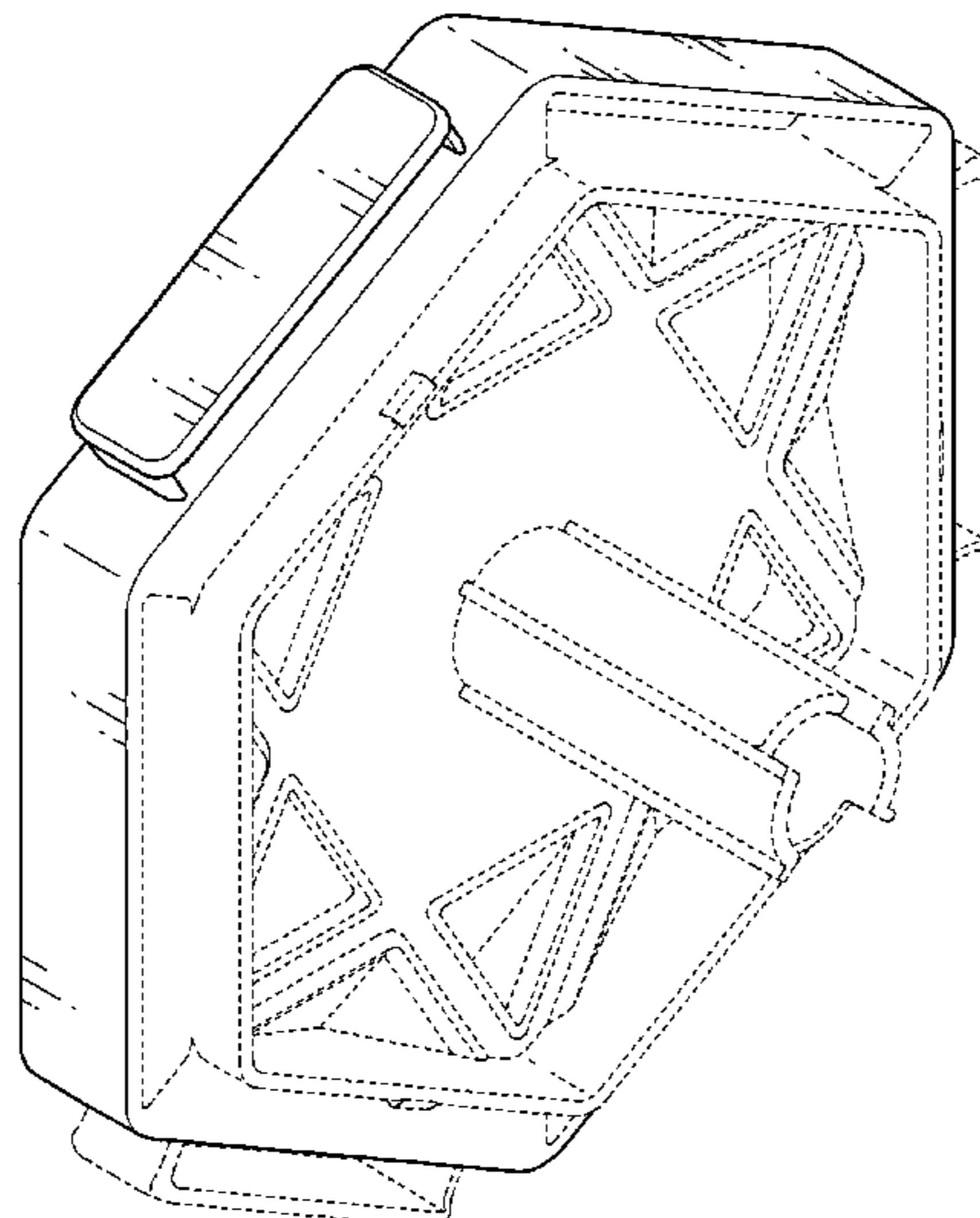
FIG. 6 is a right side thereof;

FIG. 7 is a top view thereof; and,

FIG. 8 is a bottom view thereof.

The broken lines in FIGS. 1-8 represent portions of the toy block, that form no part of the claimed design.

1 Claim, 7 Drawing Sheets



(56)

References Cited

OTHER PUBLICATIONS

U.S. PATENT DOCUMENTS

D296,912 S	*	7/1988	Holley	428/11
D526,029 S	*	8/2006	Ragonetti	A01K 15/025
					D21/455
D550,783 S	*	9/2007	Glickman	D21/503
D562,857 S	*	2/2008	Pinchot	D15/139
D563,441 S	*	3/2008	Pinchot	D15/139
D588,208 S	*	3/2009	Sinisi	D21/502
D696,733 S	*	12/2013	Mimlitch, III	D21/565
D712,489 S	*	9/2014	Norman	D21/500
D716,879 S	*	11/2014	Norman	D21/501
D723,632 S	*	3/2015	Kanbar	D21/488
D830,475 S	*	10/2018	Wang	D21/491
D881,998 S	*	4/2020	Lam	D21/455
2006/0276100 A1	*	12/2006	Glickman	A63H 33/086
					446/120
2022/0040589 A1	*	2/2022	Skornyakova	A63H 1/02

FOREIGN PATENT DOCUMENTS

KR	301132415.0000	*	10/2021
MY	11-29-0102-0001	*	10/2011
SG	20101301D-0001	*	2/2011
WO	WO-D202451-004	*	8/2019

Connecting Gear Shapes Building Blocks Set, available on orientaltrading.com, oldest customer review Jun. 9, 2016, [site visited May 3, 2022], URL: <https://www.orientaltrading.com/connecting-gear-shapes-building-blocks-set-a2-13734720.fltr> (Year: 2016).*

Ferris Wheel, m.bestdeals.co.nz, Wayback Machine Feb. 20, 2022, [visited May 6, 2022], URL: <https://web.archive.org/web/20220220021529/https://m.bestdeals.co.nz/online-76pcs-ferris-wheel-macaron-color-magnet-building-blocks-play-set-3d-puzzles-diy-tiles-stacking-early-learning-toys-for-kids-baby-37024.html> (Year: 2022).*

Brain Flakes, available on Amazon.com, oldest customer review with photo Oct. 16, 2015, [site visited May 3, 2022], URL: <https://www.amazon.com/VIAHART-Interlocking-Educational-Alternative-Childrens/dp/B00N7CD4BK/> (Year: 2015).*

Learning Resources Gears!, available on Amazon.com, date first available Sep. 6, 2006, [site visited May 3, 2022], URL: <https://www.amazon.com/Learning-Resources-Deluxe-Building-Pieces/dp/B00000DMCE/> (Year: 2006).*

* cited by examiner

FIG. 1

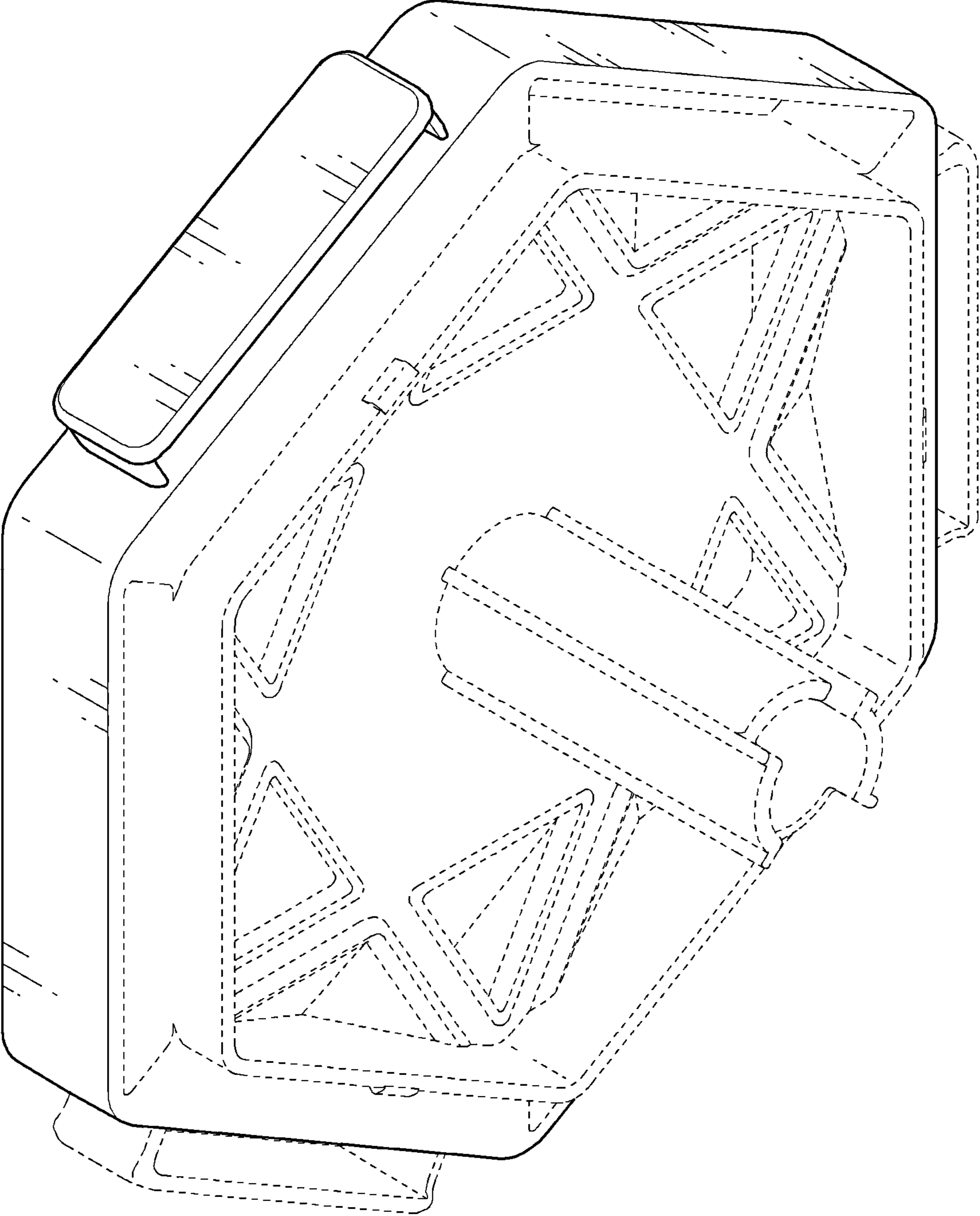


FIG. 2

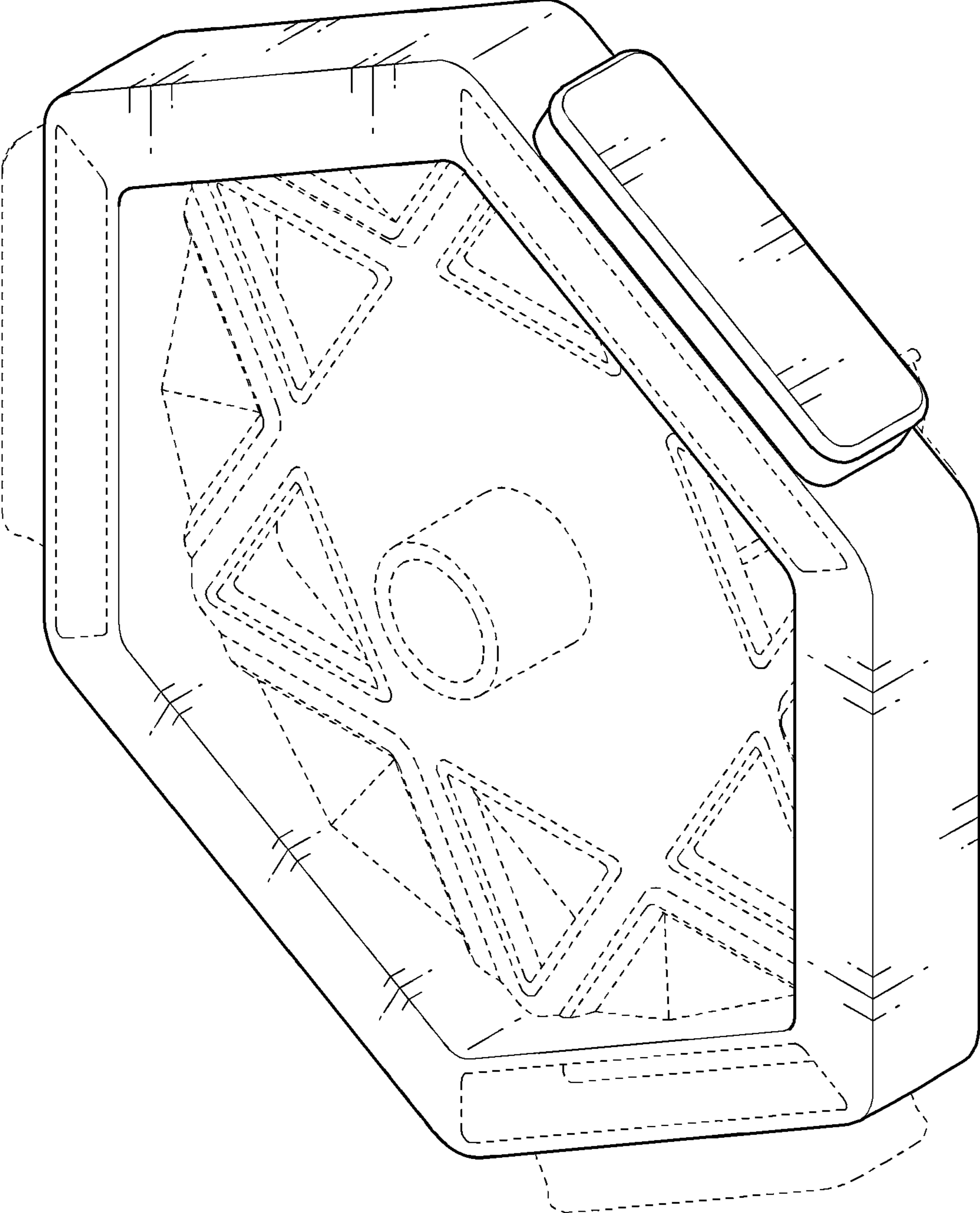


FIG. 3

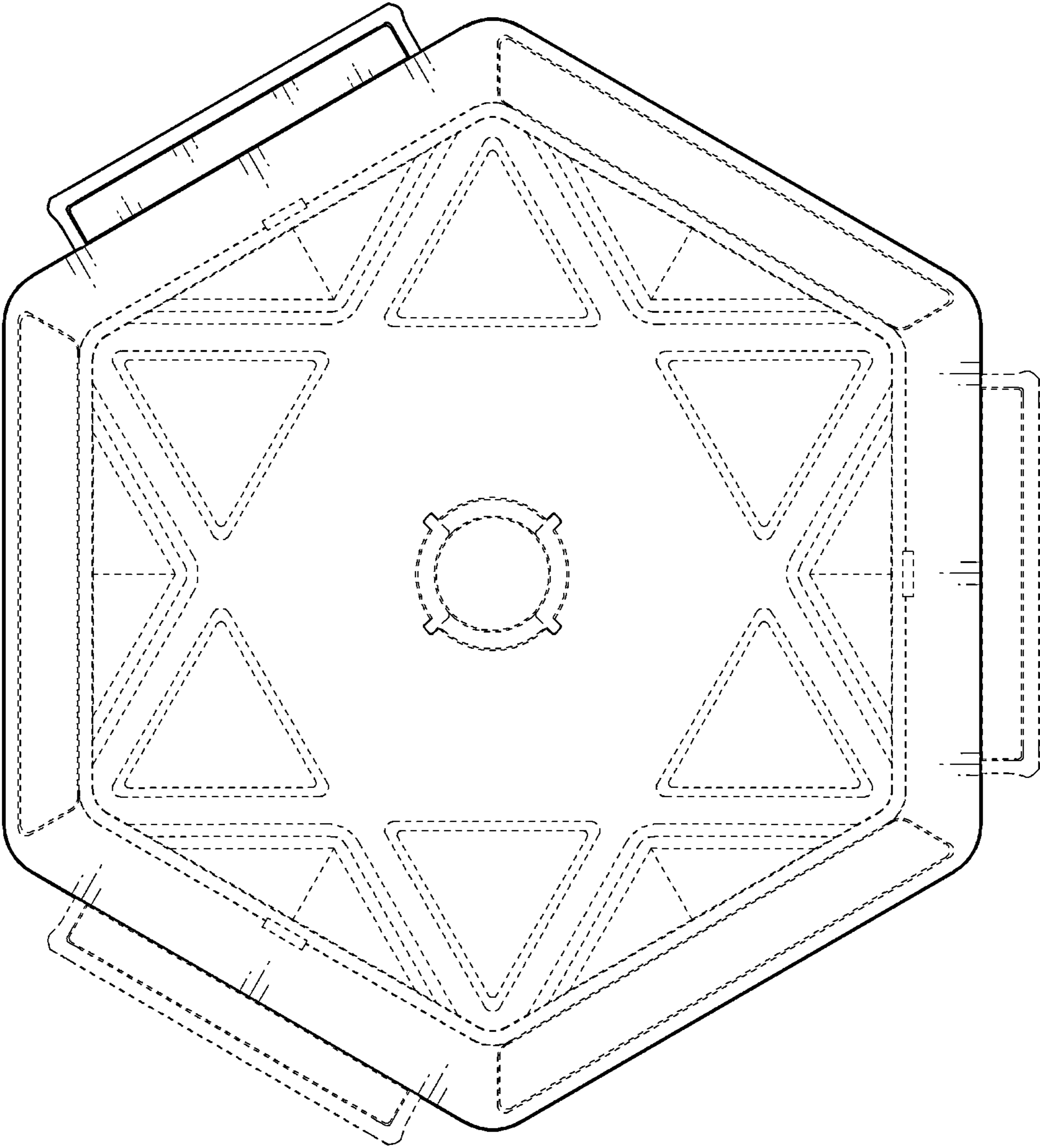


FIG. 4

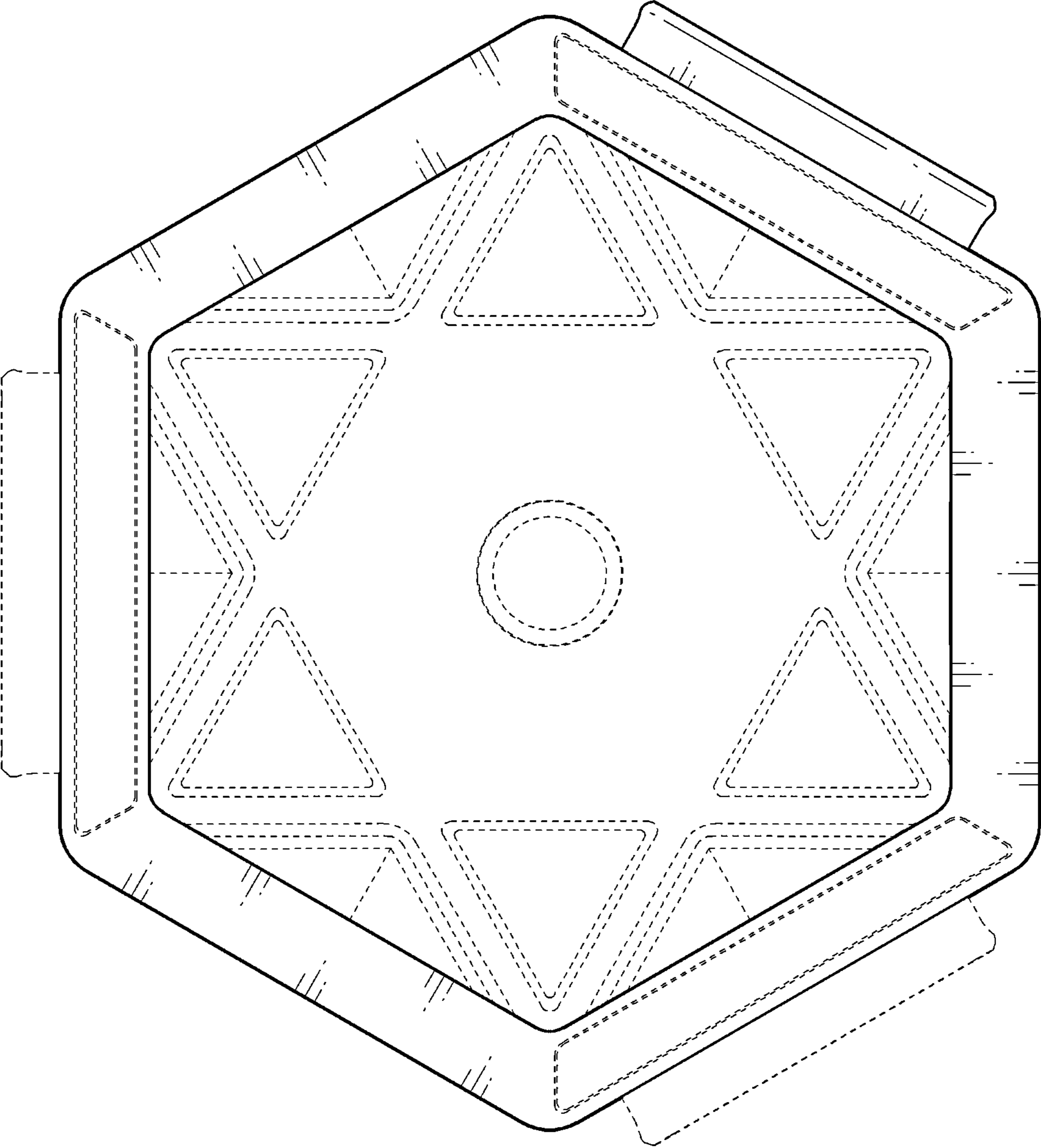


FIG. 5

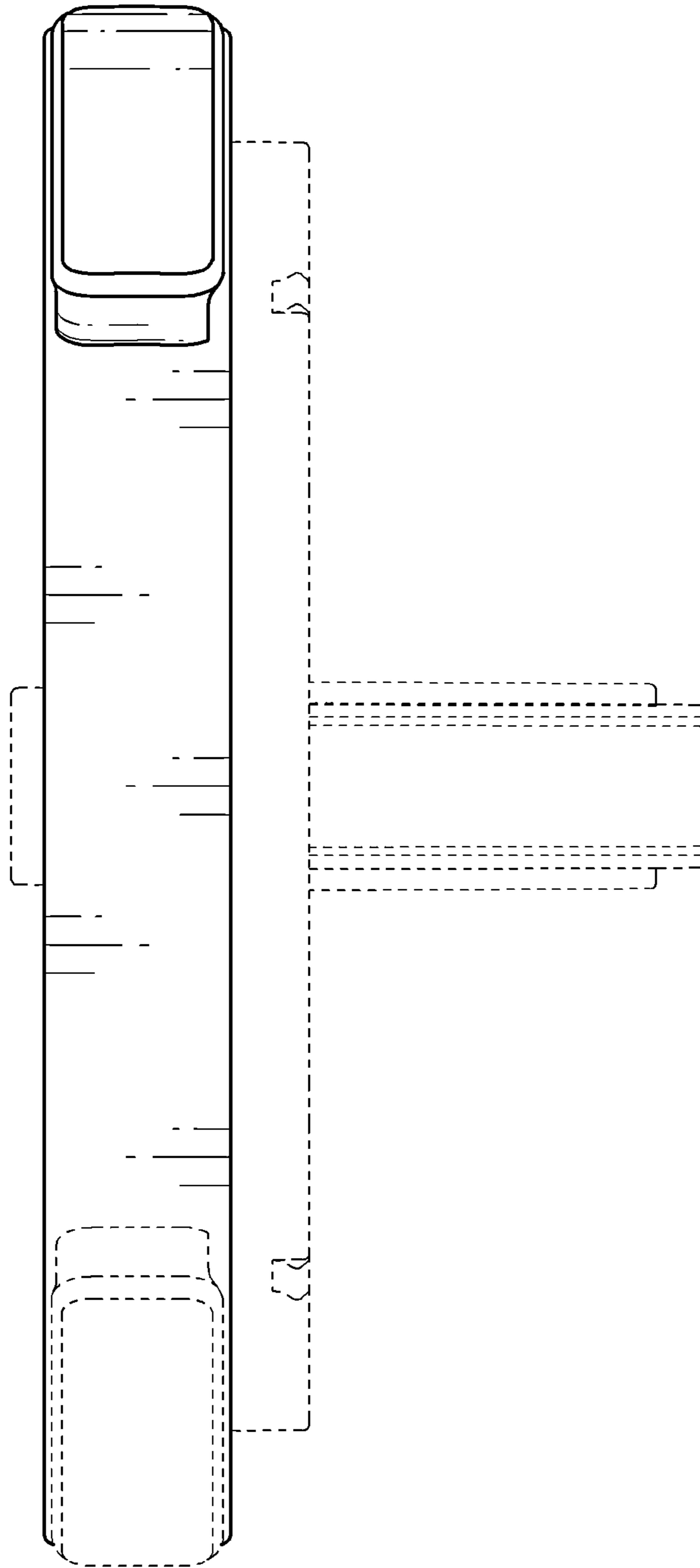


FIG. 6

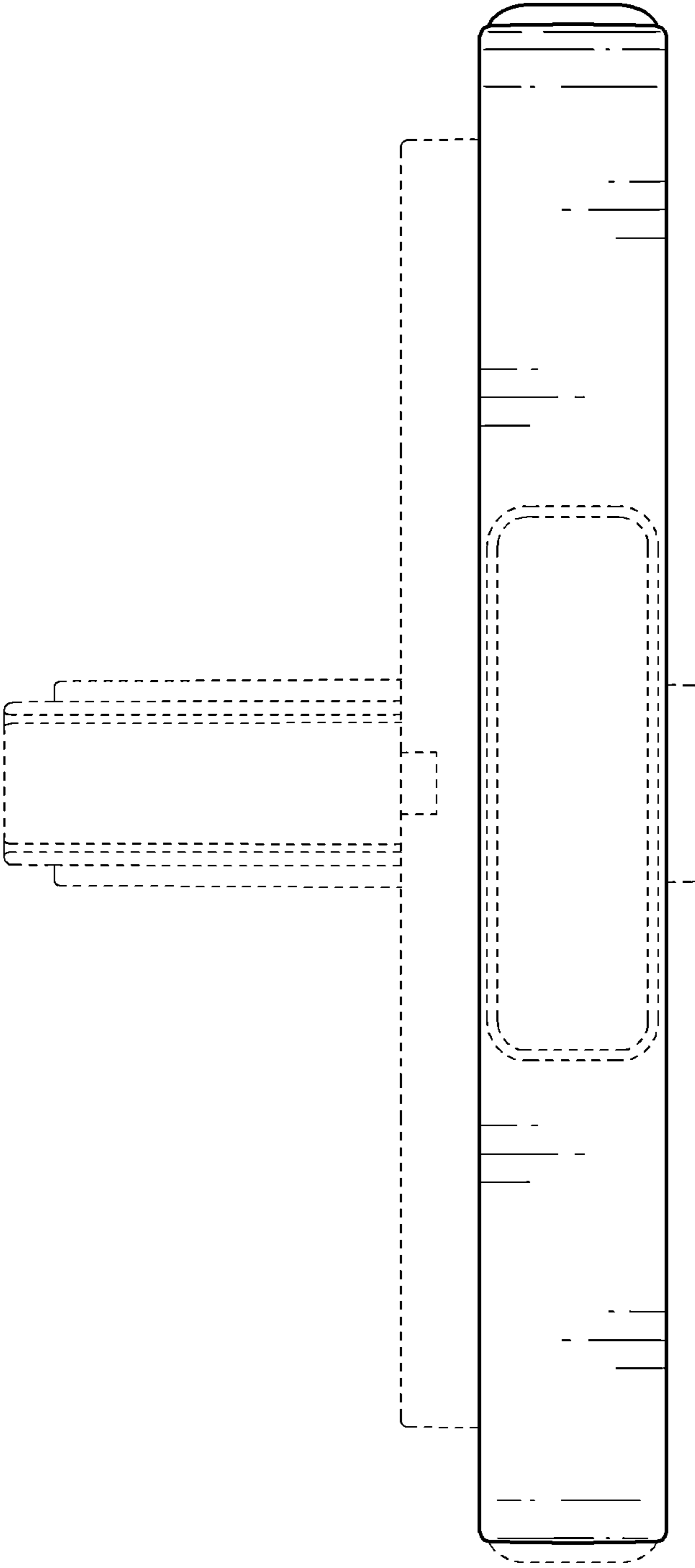


FIG. 7

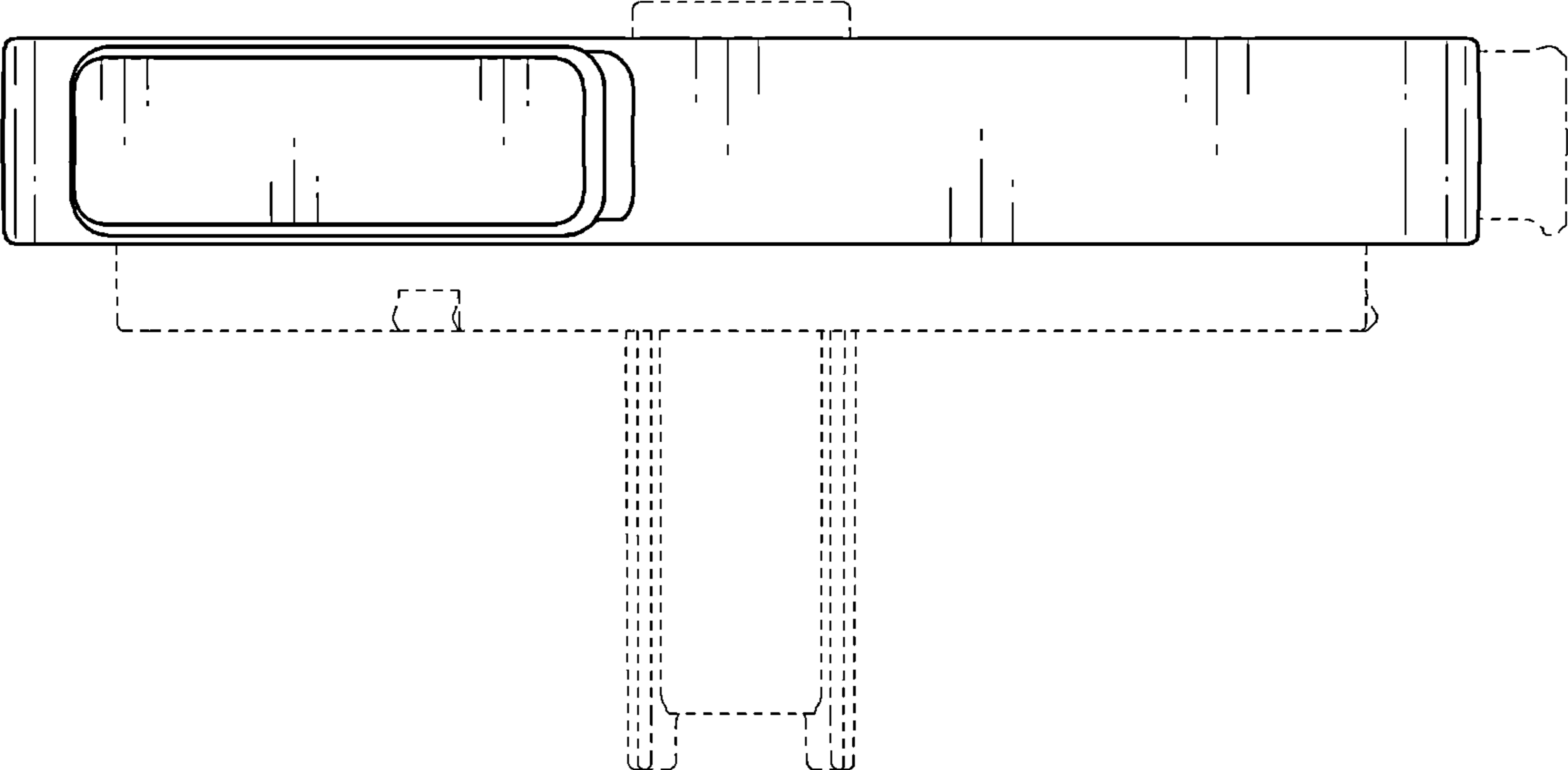


FIG. 8

