



US00D977029S

(12) **United States Design Patent**  
**Park et al.**

(10) **Patent No.:** **US D977,029 S**  
(45) **Date of Patent:** **\*\* Jan. 31, 2023**

(54) **TOY BLOCK**

FOREIGN PATENT DOCUMENTS

(71) Applicant: **GYMWORLD INC.**, Seoul (KR)  
(72) Inventors: **Kee Young Park**, Seoul (KR); **Chang Moon Lee**, Gwangmyeong-si (KR); **So Lee Kang**, Seoul (KR); **Jo Un Yi**, Seoul (KR); **Yeong Du Jeon**, Gimpo-si (KR)

CN 306826085 \* 9/2021  
JP D1566389 \* 12/2019

(Continued)

(73) Assignee: **GYMWORLD INC.**, Seoul (KR)

(\*\*) Term: **15 Years**

(21) Appl. No.: **29/746,093**

(22) Filed: **Aug. 11, 2020**

(30) **Foreign Application Priority Data**

Jul. 16, 2020 (KR) ..... 30-2020-0032935

(51) **LOC (14) Cl.** ..... **21-01**

(52) **U.S. Cl.**  
USPC ..... **D21/504**

(58) **Field of Classification Search**  
USPC ..... D21/381, 484, 485, 486, 489, 491, 492,  
D21/494, 498, 499, 500, 501, 502, 503,  
D21/504, 505, 344, 398, 455, 467, 468,  
D21/470, 473, 475, 478, 479, 480, 645,  
D21/445, 458, 459, 461, 462, 463, 464,  
D21/460; D11/133, 157; D8/300, 303,  
D8/310, 312

CPC ..... A63F 9/06; A63F 9/08; A63F 9/16; A63H  
33/04; A63H 1/00-32; G09B 1/00; G09B  
1/02; G09B 1/06

See application file for complete search history.

(56) **References Cited**

U.S. PATENT DOCUMENTS

1,260,717 A \* 3/1918 Schmidt ..... A63H 1/00  
446/256  
D109,475 S \* 5/1938 Cross ..... D21/460  
D200,325 S \* 2/1965 Fuchs ..... D21/460

(Continued)

OTHER PUBLICATIONS

Magformers Magnets in Motion, available on Amazon.com, oldest customer review Nov. 13, 2014, [site visited May 3, 2022], URL: <https://www.amazon.com/Magformers-Accessory-20-pieces-Educational-Construction/dp/B00J5L1MIE/> (Year: 2014).\*

(Continued)

*Primary Examiner* — Dana K Weiland

*Assistant Examiner* — Emily Anna Saunders

(74) *Attorney, Agent, or Firm* — Studebaker & Brackett PC

(57) **CLAIM**

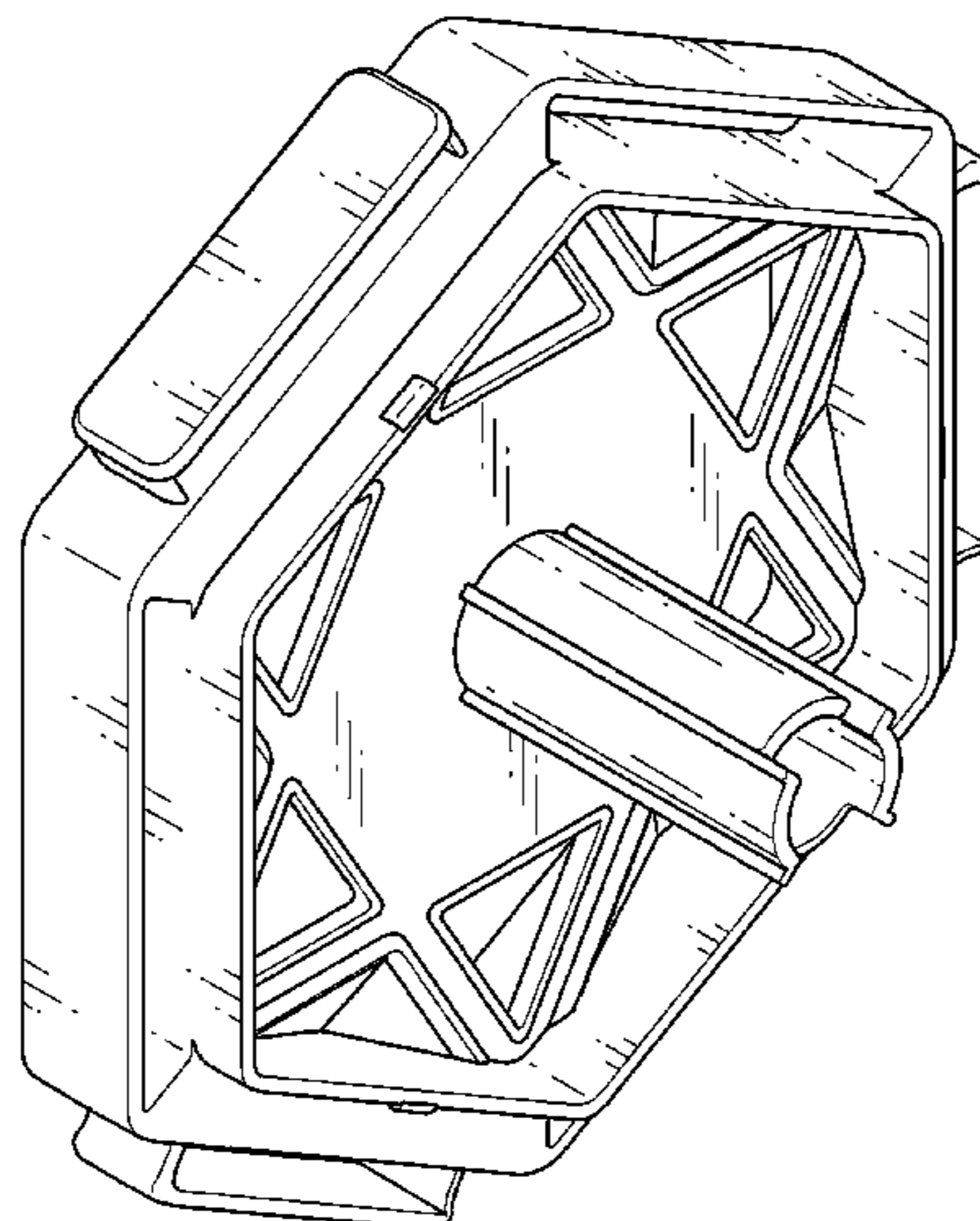
The ornamental design for a toy block, as shown and described.

**DESCRIPTION**

FIG. 1 is a perspective view of a toy block showing the new design;  
FIG. 2 is a rear perspective view thereof;  
FIG. 3 is a front view thereof;  
FIG. 4 is a rear thereof;  
FIG. 5 is a left side thereof;  
FIG. 6 is a right side thereof;  
FIG. 7 is a top view thereof;  
FIG. 8 is a bottom view thereof; and,  
FIG. 9 is another perspective view of the toy block shown in use.

The broken lines in FIG. 9 represent portions of an environmental structure, that form no part of the claimed design.

**1 Claim, 8 Drawing Sheets**



(56)

References Cited

U.S. PATENT DOCUMENTS

D206,373	S	*	12/1966	James	.....	D8/321
D233,497	S	*	11/1974	Zelkowitz	.....	D21/397
D241,055	S	*	8/1976	Wohlstrom	.....	D21/460
D269,688	S	*	7/1983	Molenaar	.....	D21/460
D274,690	S	*	7/1984	Cesaroni	.....	D8/310
D296,912	S	*	7/1988	Holley	.....	428/11
D526,029	S	*	8/2006	Ragonetti	.....	A01K 15/025
						D21/455
D550,783	S	*	9/2007	Glickman	.....	D21/503
D562,857	S	*	2/2008	Pinchot	.....	D15/139
D563,441	S	*	3/2008	Pinchot	.....	D15/139
D565,068	S	*	3/2008	Pinchot	.....	D15/139
D588,208	S	*	3/2009	Sinisi	.....	D21/502
D696,733	S	*	12/2013	Mimlitch, III	.....	D21/565
D712,489	S	*	9/2014	Norman	.....	D21/500
D723,632	S	*	3/2015	Kanbar	.....	D21/488
D881,998	S	*	4/2020	Lam	.....	D21/455
D889,563	S	*	7/2020	Ozer	.....	D21/460
2006/0276100	A1	*	12/2006	Glickman	.....	A63H 33/086
						446/120
2022/0040589	A1	*	2/2022	Skornyakova	.....	A63H 1/02

FOREIGN PATENT DOCUMENTS

KR	301132415.0000	*	10/2021
MY	11-29-0102-0001	*	10/2011
SG	20101301D-0001	*	2/2011
WO	WO-D202451-004	*	8/2019

OTHER PUBLICATIONS

Connecting Gear Shapes Building Blocks Set, available on orientaltrading.com, oldest customer review Jun. 9, 2016, [site visited May 3, 2022], URL: <https://www.orientaltrading.com/connecting-gear-shapes-building-blocks-set-a2-13734720.fltr> (Year: 2016).\*

Ferris Wheel, m.bestdeals.co.nz, Wayback Machine Feb. 20, 2022, [site visited May 6, 2022], <https://web.archive.org/web/20220220021529/https://m.bestdeals.co.nz/online-76pcs-ferris-wheel-macaron-color-magnet-building-blocks-play-set-3d-puzzles-diy-tiles-stacking-early-learning-toys-for-kids-baby-37024.html> (Year: 2022).\*

Brain Flakes, available on Amazon.com, oldest customer review with photo Oct. 16, 2015, [site visited May 3, 2022], URL: <https://www.amazon.com/VIAHART-Interlocking-Educational-Alternative-Childrens/dp/B00N7CD4BK/> (Year: 2015).\*

Learning Resources Gears!, available on Amazon.com, date first available Sep. 6, 2006, [site visited May 3, 2022], URL: <https://www.amazon.com/Learning-Resources-Deluxe-Building-Pieces/dp/B00000DMCE/> (Year: 2006).\*

\* cited by examiner

FIG. 1

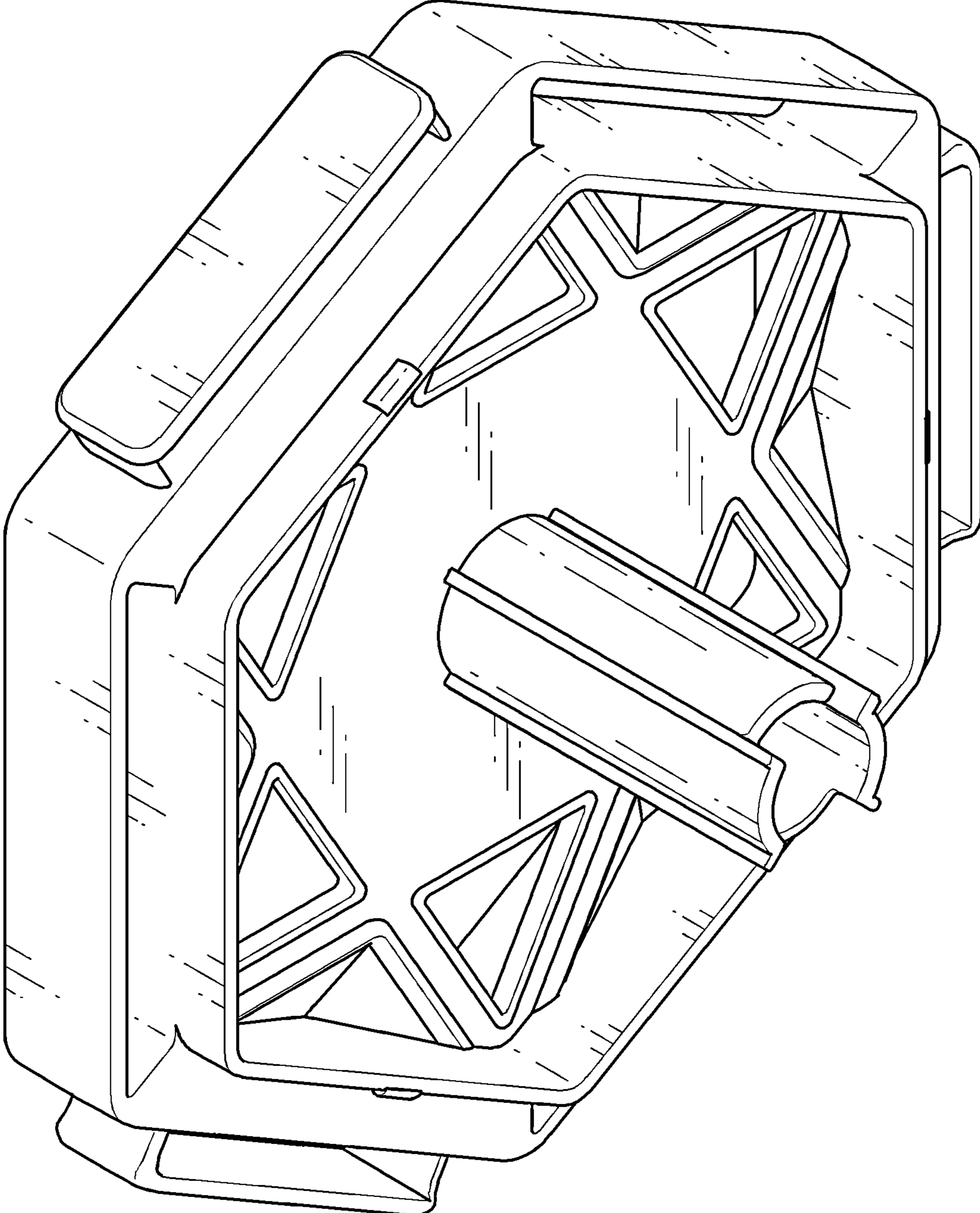


FIG. 2

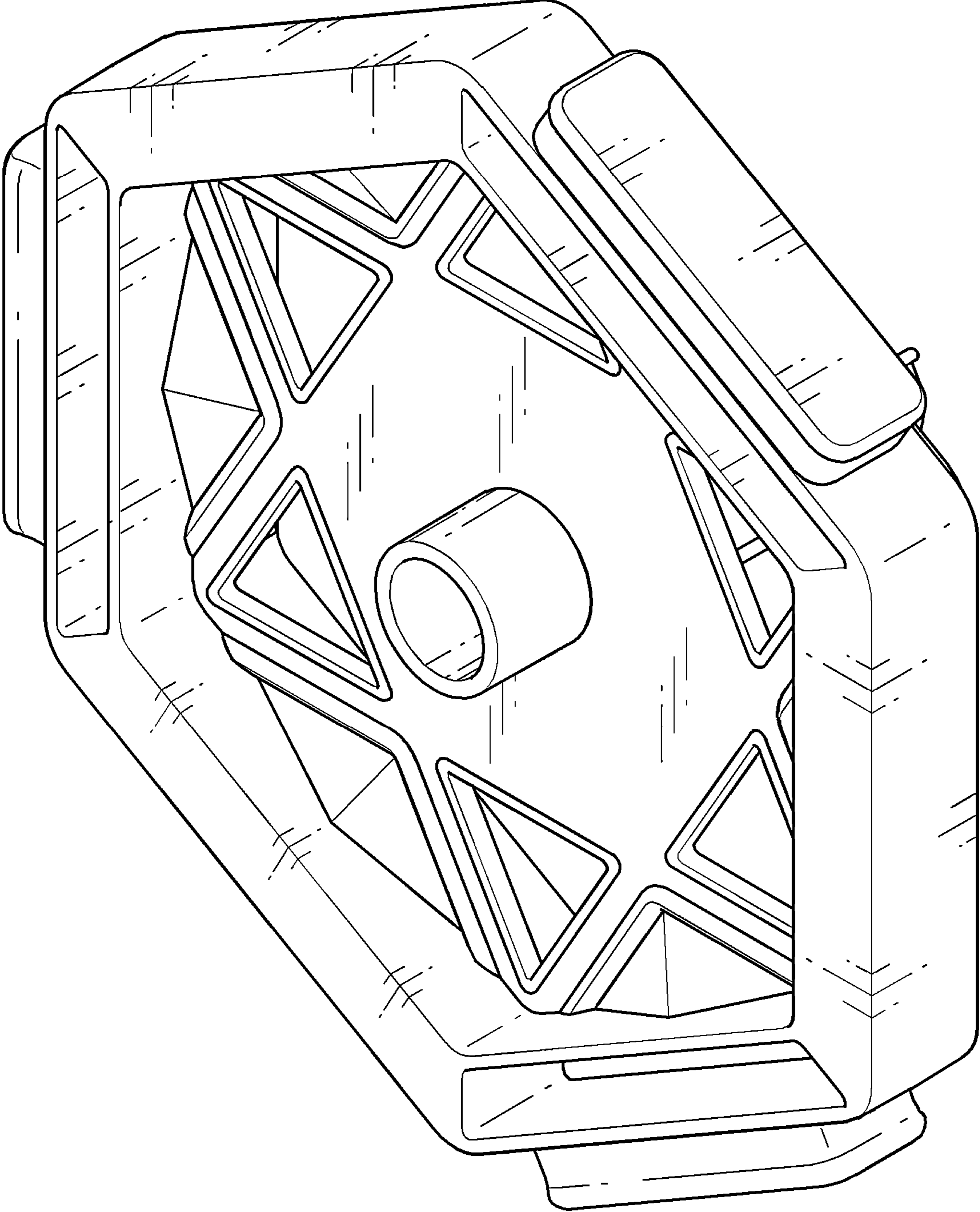


FIG. 3

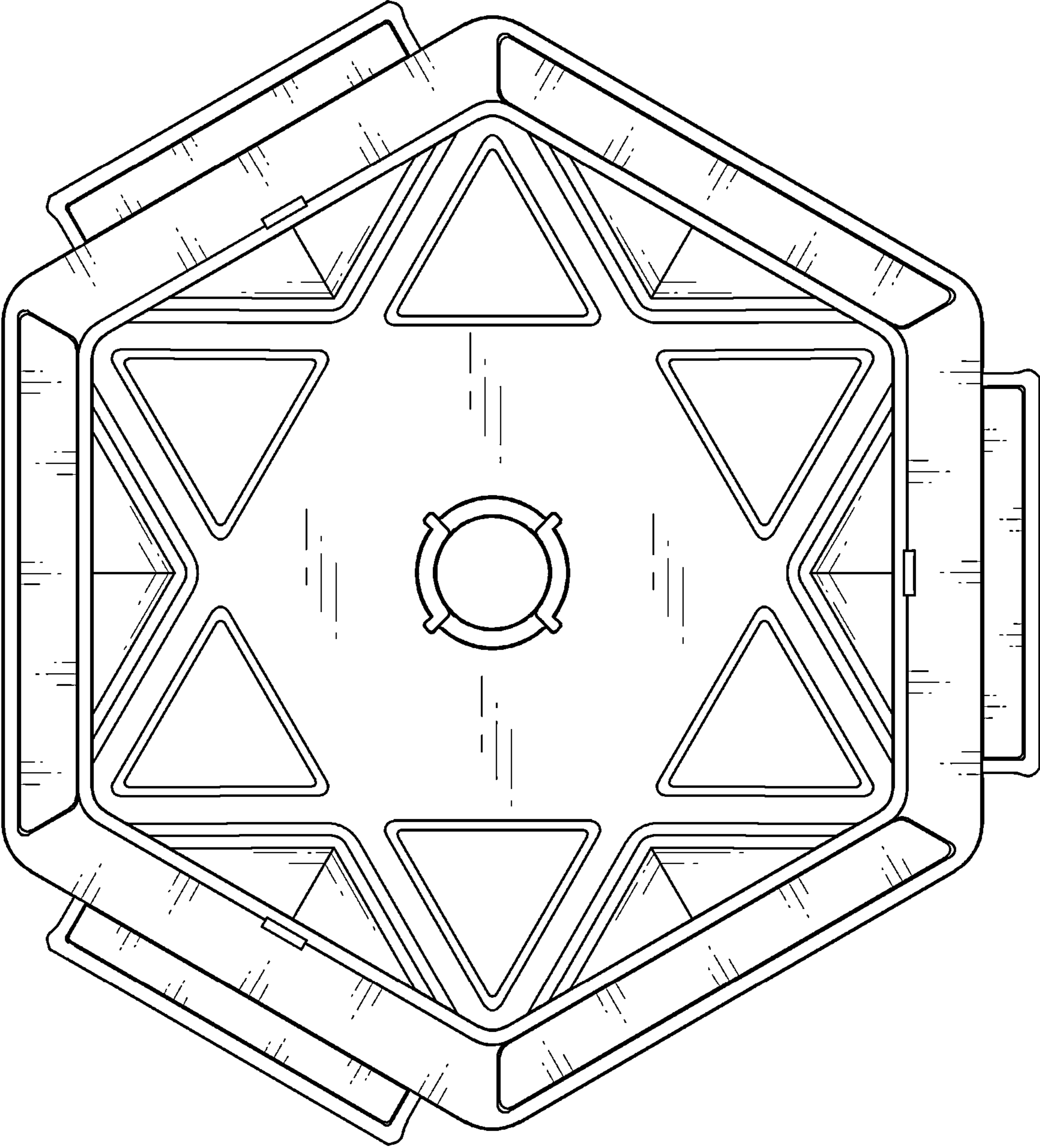


FIG. 4

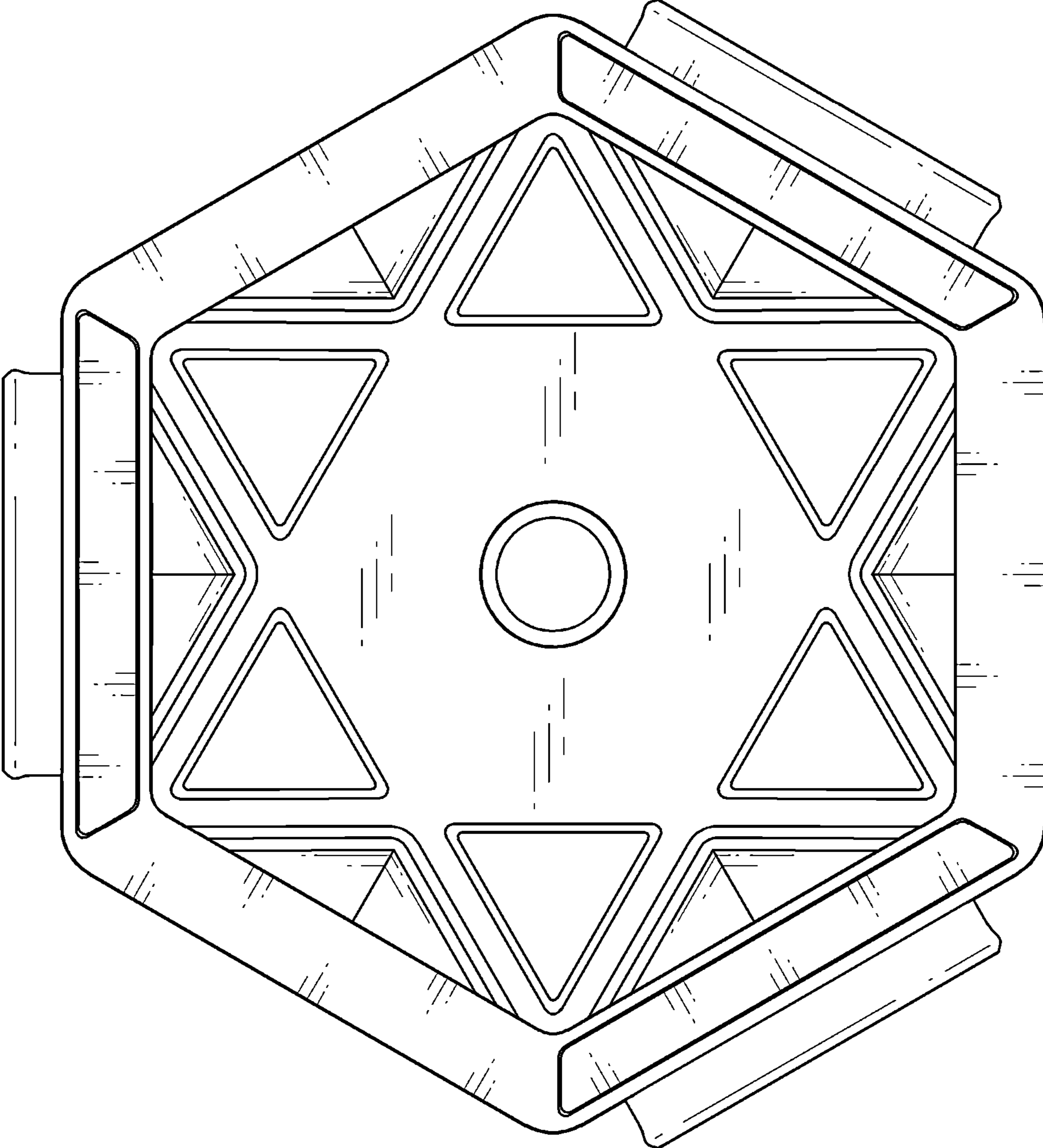


FIG. 5

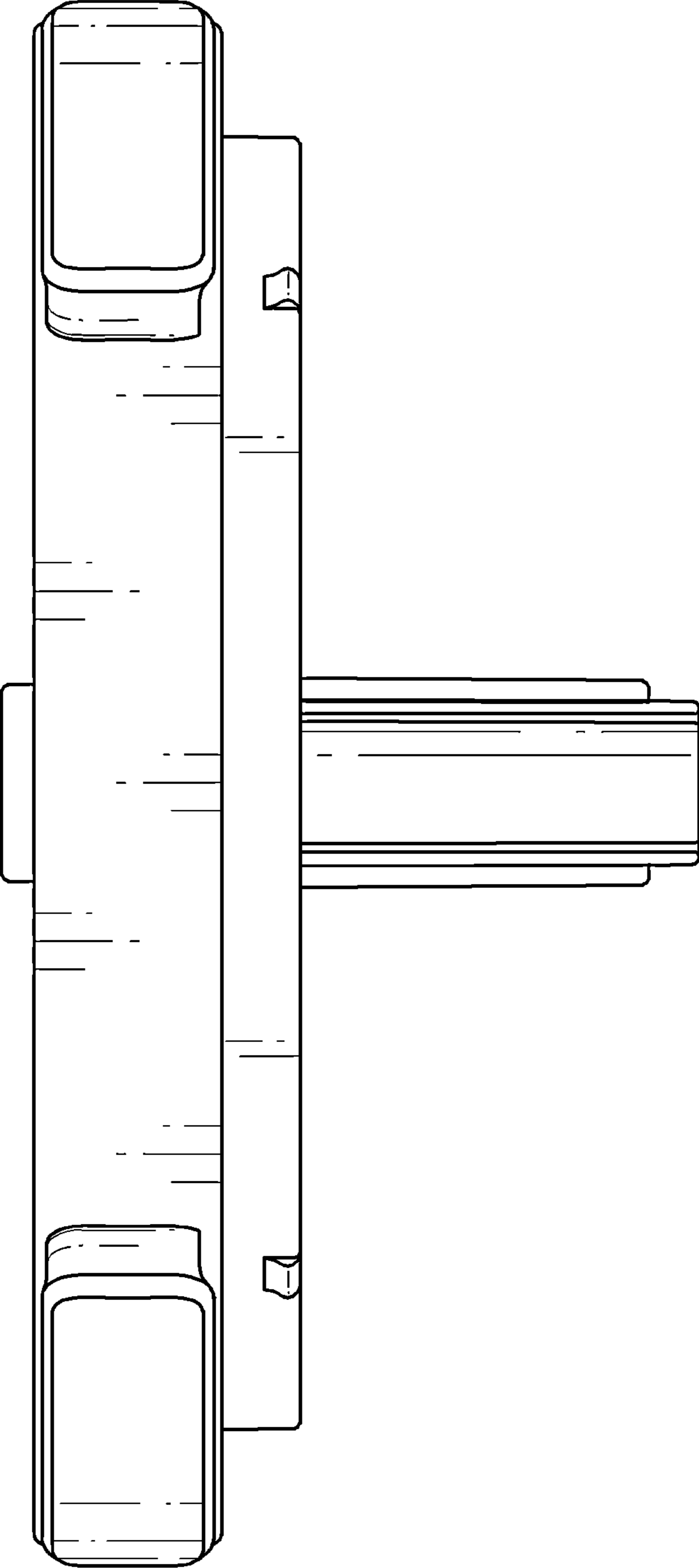


FIG. 6

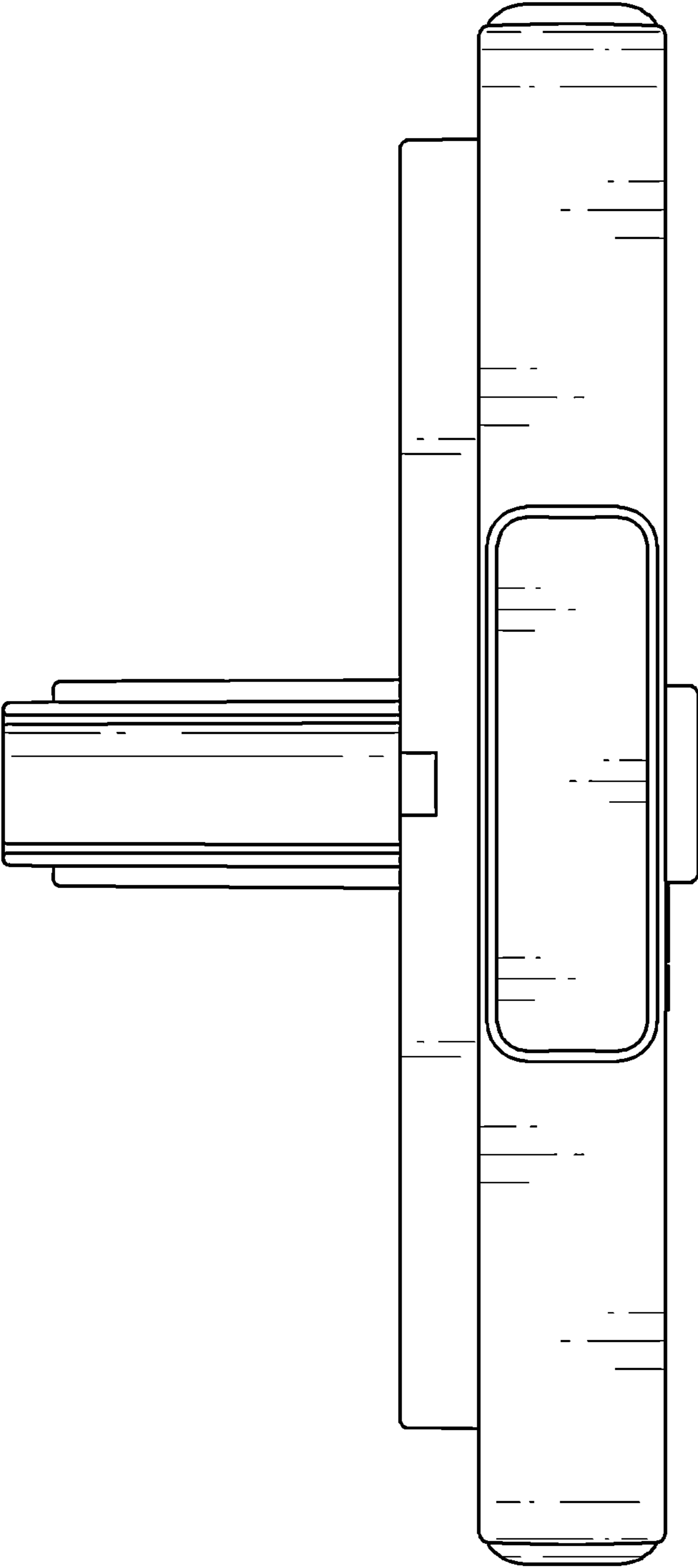




FIG. 7

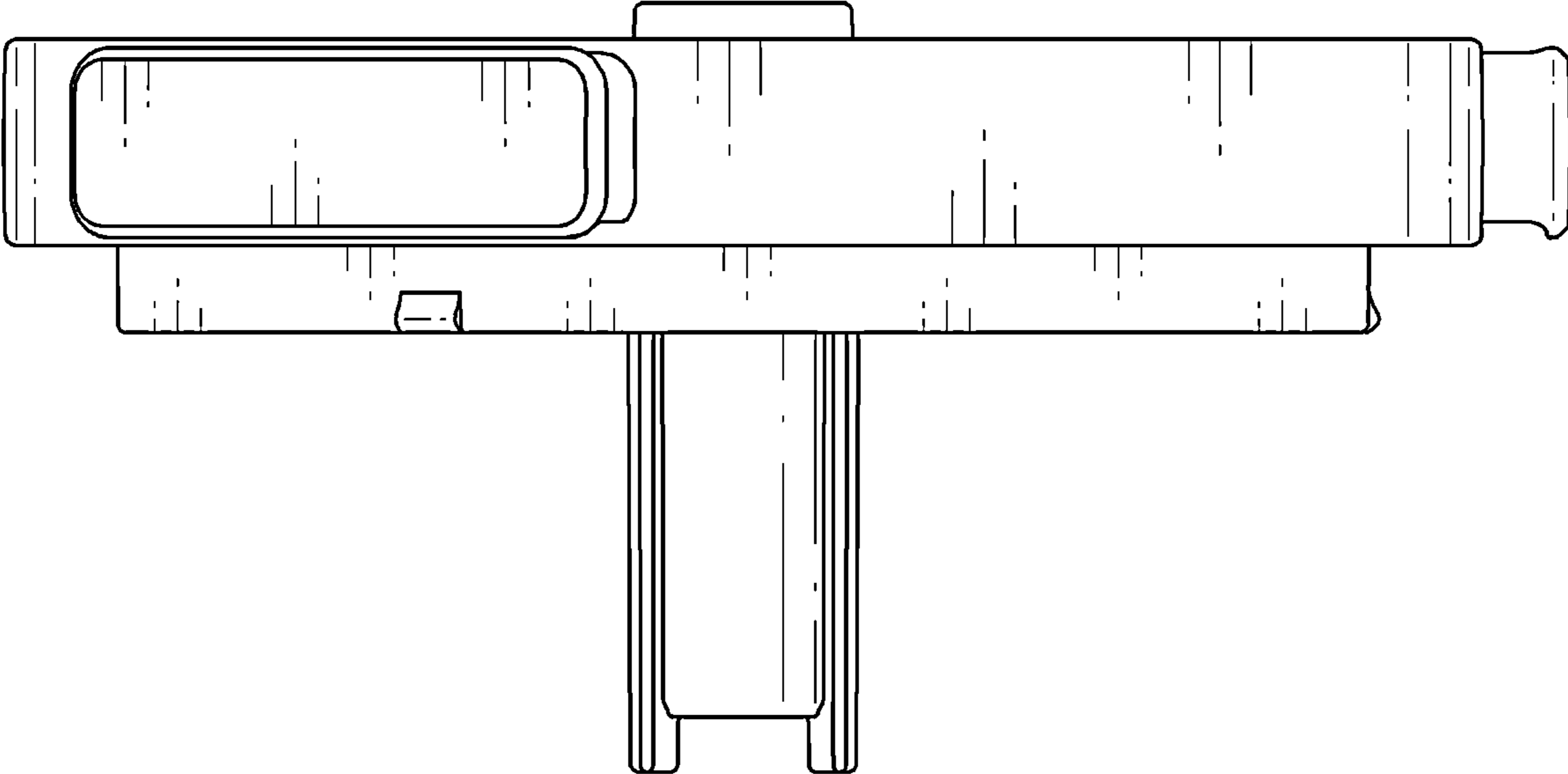


FIG. 8

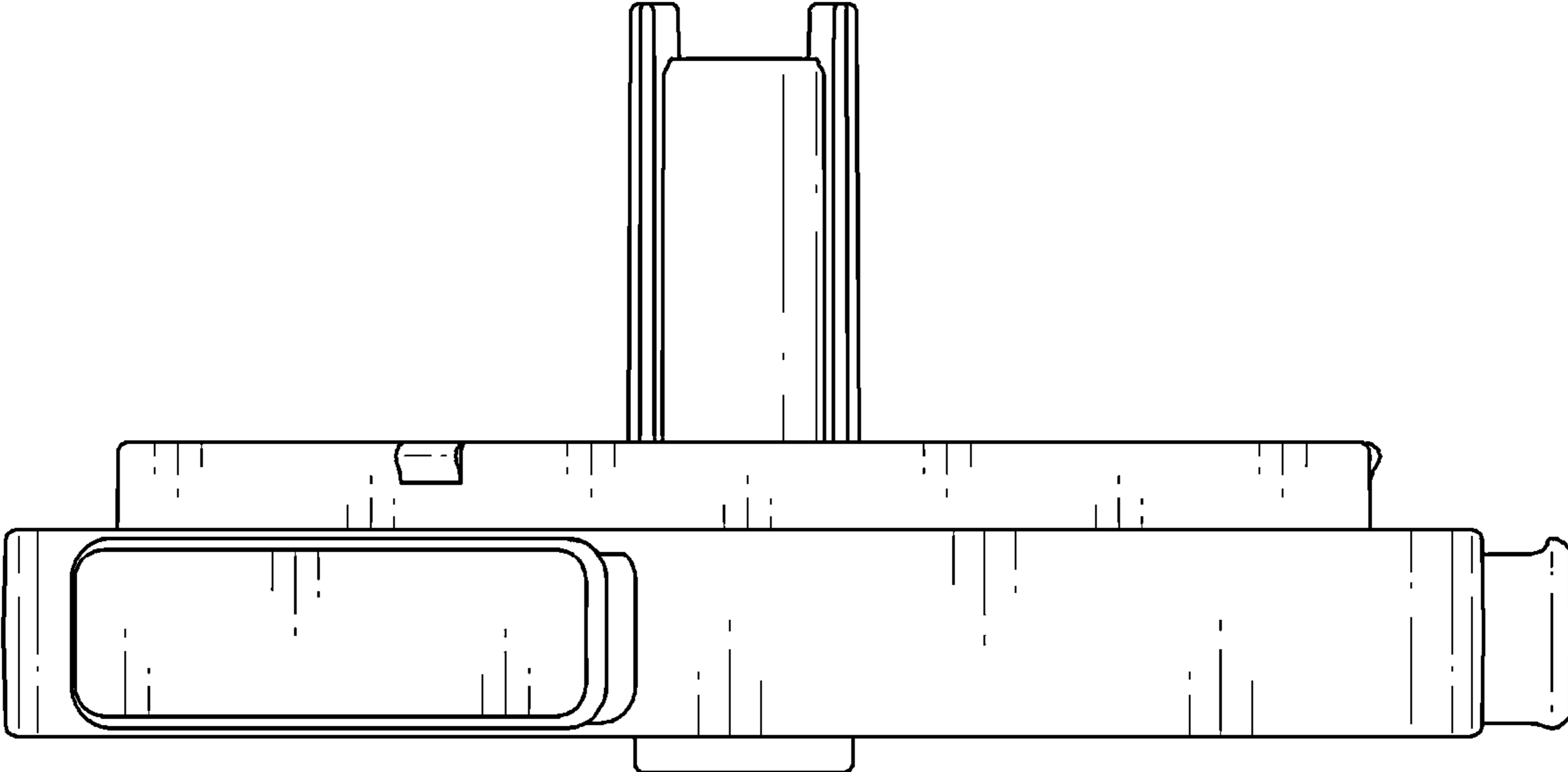


FIG. 9

