



US00D977027S

(12) **United States Design Patent**
Beaulieu et al.

(10) **Patent No.:** **US D977,027 S**
(45) **Date of Patent:** **** Jan. 31, 2023**

(54) **CONSTRUCTION SET ELEMENT**

FOREIGN PATENT DOCUMENTS

(71) Applicant: **Mattel-MEGA Holdings (US), LLC**,
El Segundo, CA (US)

CN 304542450 * 3/2018
CN 304690248 * 6/2018

(Continued)

(72) Inventors: **Louis-Philippe Beaulieu**, Montreal
(CA); **Pierre Dion**, Montreal (CA);
Hugo Messier, Montreal (CA)

OTHER PUBLICATIONS

Mattel Careers Page, available on mattel.com, wayback machine
oldest date Jan. 21, 2021, [site visited Feb. 22, 2022], URL:
<https://web.archive.org/web/20210121051934/https://corporate.mattel.com/en-us/careers/locations/montreal-mega-hq> (Year: 2021).*

(Continued)

(73) Assignee: **Mattel-MEGA Holdings (US), LLC**,
El Segundo, CA (US)

(**) Term: **15 Years**

Primary Examiner — Dana K Weiland

Assistant Examiner — Emily Anna Saunders

(21) Appl. No.: **29/736,043**

(74) *Attorney, Agent, or Firm* — Plumsea Law Group,
LLC

(22) Filed: **May 27, 2020**

(51) **LOC (14) Cl.** **21-01**

(52) **U.S. Cl.**
USPC **D21/491**

(57) **CLAIM**

The ornamental design for a construction set element, as
shown and described.

(58) **Field of Classification Search**
USPC D21/484, 491, 494, 500, 485, 486;
D9/414, 420, 432, 721, 716, 732, 758
CPC A63H 33/04; B65D 21/00; B65D 21/0206;
B65D 85/816; B65D 2581/3408
See application file for complete search history.

DESCRIPTION

FIG. 1 is a top front isometric perspective view of a
construction set element showing the new design;
FIG. 2 is a front elevational view thereof;
FIG. 3 is a rear elevational view thereof;
FIG. 4 is a side elevational view thereof;
FIG. 5 is an opposite side elevational view thereof;
FIG. 6 is a top plan view thereof;
FIG. 7 is a bottom plan view thereof;
FIG. 8 is a bottom rear isometric perspective view thereof;
and,
FIG. 9 is a bottom front isometric perspective view thereof.
The evenly spaced broken lines and unshaded areas of the
construction set element form no part of the claimed design.
The various directional adjectives used in this specification,
such as “front,” “rear,” “side,” “top,” and “bottom,” refer to
the construction set element as illustrated.

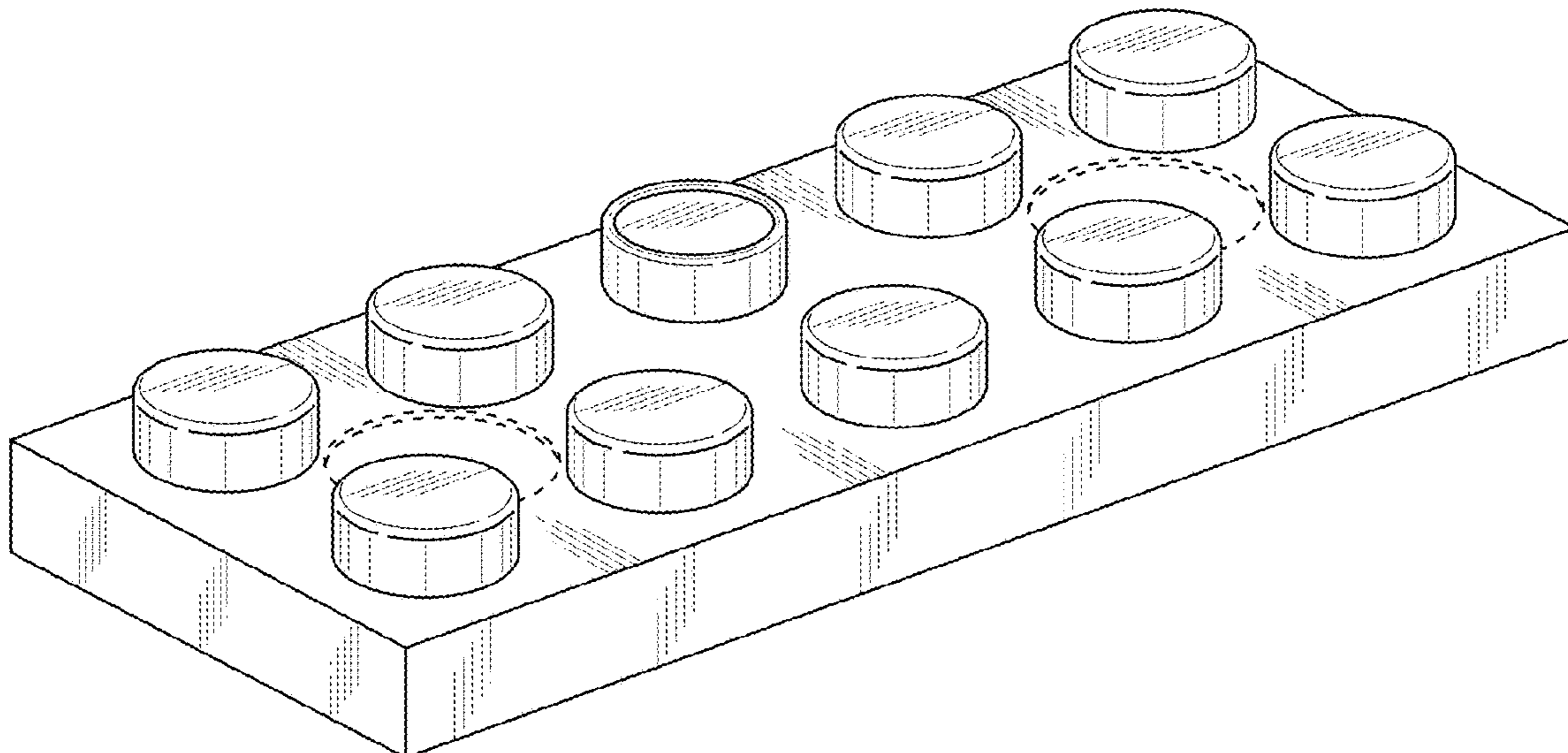
(56) **References Cited**

U.S. PATENT DOCUMENTS

2,761,785 A * 9/1956 Steger B65D 71/16
229/905
3,005,282 A * 10/1961 Godtfred A63H 33/086
446/128
3,162,973 A * 12/1964 Godtfred A63H 33/086
446/128
3,242,610 A * 3/1966 Godtfred A63H 33/086
446/128
3,570,170 A * 3/1971 Yoshihiro A63H 33/086
446/128

(Continued)

1 Claim, 9 Drawing Sheets



(56)

References Cited

U.S. PATENT DOCUMENTS

3,640,017 A * 2/1972 Christiansen A63H 33/04
446/128
D284,393 S 6/1986 Kassai
D285,583 S 9/1986 Kassai
D285,813 S * 9/1986 Takahashi D21/501
4,744,780 A * 5/1988 Volpe A63H 33/086
446/128
D324,084 S * 2/1992 Knudsen D21/500
D331,431 S 12/1992 Jensen
D333,851 S 3/1993 Olsen
D365,756 S 1/1996 Rask et al.
D368,497 S * 4/1996 Schmidt D21/501
D374,258 S * 10/1996 Schmidt D21/486
D377,671 S * 1/1997 Gabriel D21/500
D378,838 S * 4/1997 Olsen D21/486
5,645,463 A * 7/1997 Olsen
D389,408 S * 1/1998 Rask D9/451
D421,899 S * 3/2000 Eneroth D9/732
6,102,766 A * 8/2000 Leadbetter A63H 33/086
446/124
D551,215 S * 9/2007 Lee, Jr. D14/218
D566,201 S * 4/2008 Glickman D21/484
8,932,123 B2 1/2015 Murayama et al.
9,084,929 B2 7/2015 Martin
D736,403 S * 8/2015 Hudson D24/216
D739,182 S * 9/2015 Ryu D7/602
D749,680 S * 2/2016 Lin D21/500
9,814,997 B1 * 11/2017 Vaillancourt A63H 33/042
D813,317 S * 3/2018 Kirsten D21/491
10,086,310 B2 10/2018 Semling
D852,284 S * 6/2019 Zhang D21/500
D857,463 S * 8/2019 Cavalier D7/611
10,478,742 B2 * 11/2019 Beaulieu A63H 33/102
D868,744 S * 12/2019 Yang D14/218
D928,890 S * 8/2021 Kirsten D21/500
11,173,413 B2 * 11/2021 Ishimatsu A63H 33/086
D961,006 S * 8/2022 Wang D21/485
2006/0160462 A1 * 7/2006 Schneck B07C 5/3427
446/219

2011/0021107 A1* 1/2011 Nag A63H 33/042
446/91
2014/0051321 A1* 2/2014 Kelly G09F 19/00
446/128
2019/0022543 A1* 1/2019 Takeda A63H 33/086

FOREIGN PATENT DOCUMENTS

KR 300784094.0000 * 2/2015
WO WO-D211330-008 * 1/2019

OTHER PUBLICATIONS

Mega Blocks Halo Lot, available on ebay.com, earliest revision Nov. 20, 2021, [site visited Feb. 22, 2022], URL: <https://www.ebay.com/itm/234140133869> (Year: 2021).*

Mega Bloks Modified Plate, available on themobileframeblogspot.com, date published Jul. 14, 2021, [site visited Feb. 22, 2022], URL: <http://the-mobile-frame-garage.blogspot.com/2021/07/purity-mega-bloks-gvm9-hot-wheels-bone.html> (Year: 2021).*

Mega Bloks Halo Lot of 32 Red, available on mercari.com, date posted Dec. 21, 2021, [site visited Feb. 22, 2022], URL: <https://www.mercari.com/us/item/m14529375985/> (Year: 2021).*

Block Play Building Blocks Set, available on orientaltrading.com, oldest customer review May 1, 2016, [site visited Feb. 22, 2022], URL: <https://www.orientaltrading.com/block-play-building-blocks-set-a2-13674034.fltr> (Year: 2016).*

Mega Bloks Halo MAMMOTH set review!, available on YouTube.com, date posted Oct. 27, 2013, [site visited Feb. 23, 2022], URL: <https://www.youtube.com/watch?v=kkadTuSWV3s> (Year: 2013).*

Mega Bloks Halo 96824 UNSC Pelican Dropship (2010 version) reviewed, available on YouTube, date posted Oct. 5, 2014, [site visited Feb. 23, 2022], URL: <https://www.youtube.com/watch?v=H4TM1IBu6gE> (Year: 2014).*

Miylenium's Brick Comer: LEGO vs Mega—An Analysis—Part 2, Nov. 10, 2018, 29 pages. Retrieved from Internet: <https://myleniumsbrickcomer.wordpress.com/2018/11/10/lego-vs-mega-an-analysis-part-2/>.

* cited by examiner

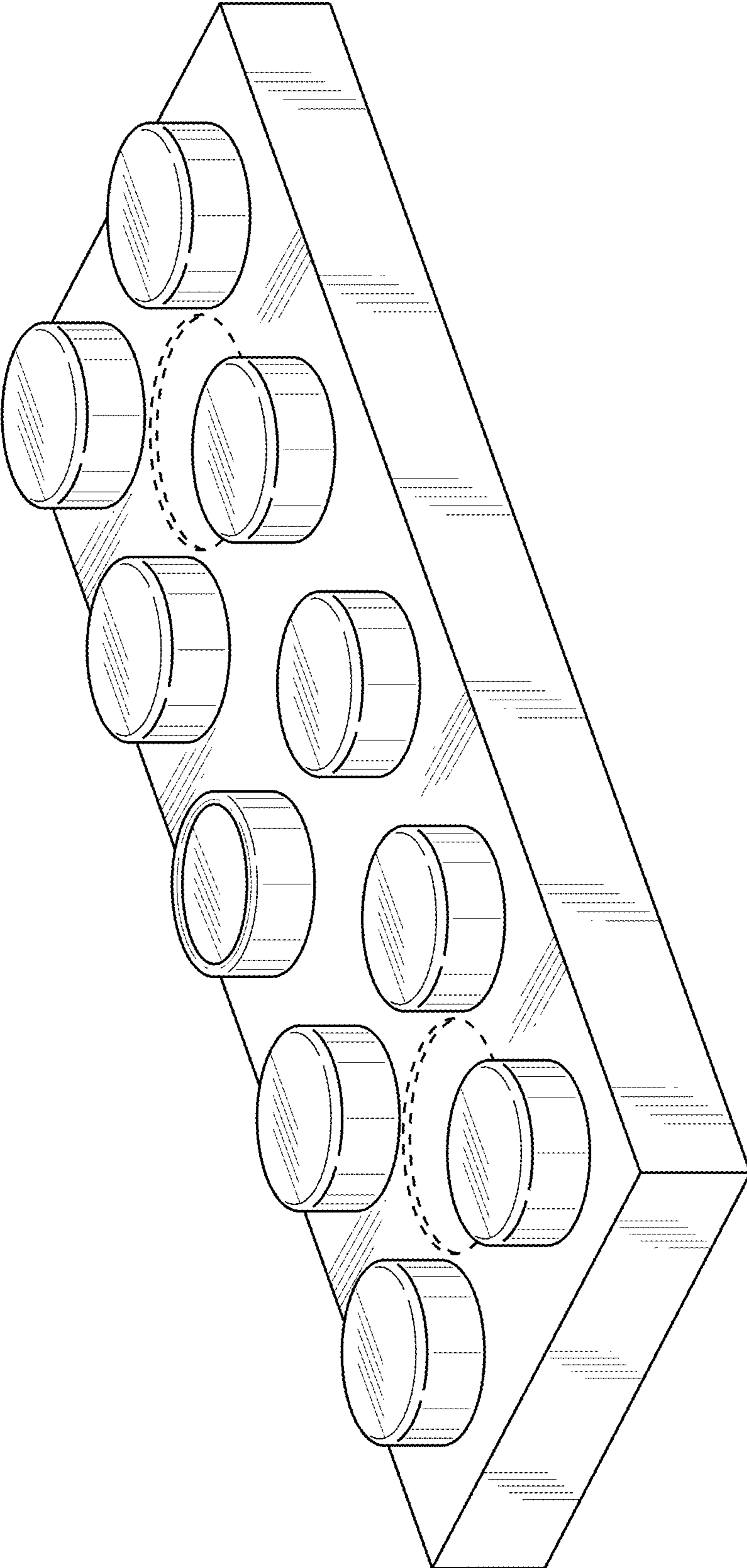


FIG. 1

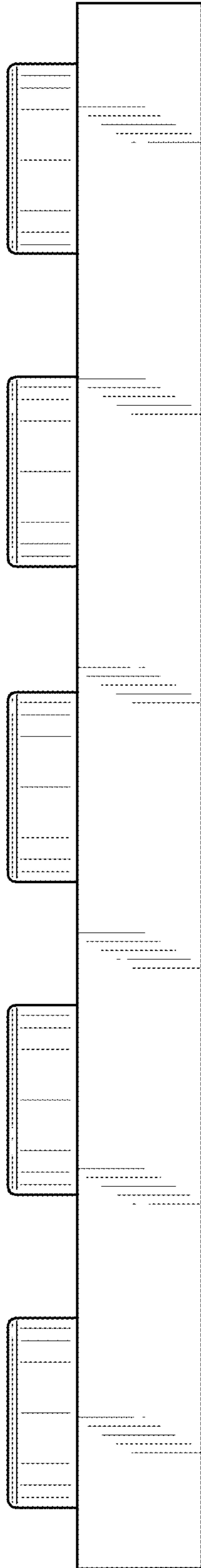


FIG. 2

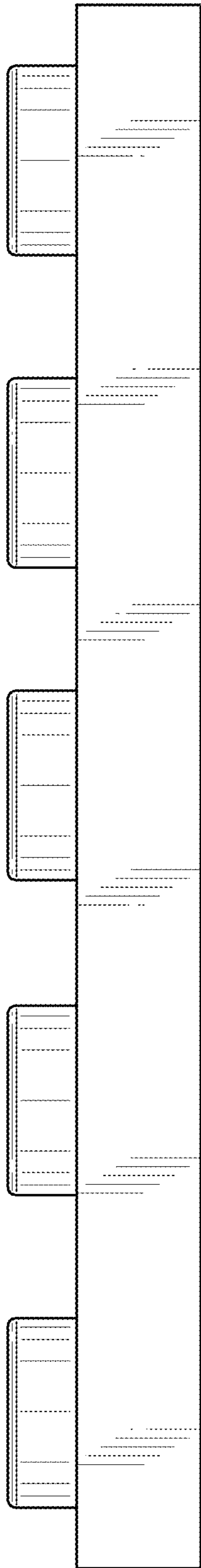


FIG. 3

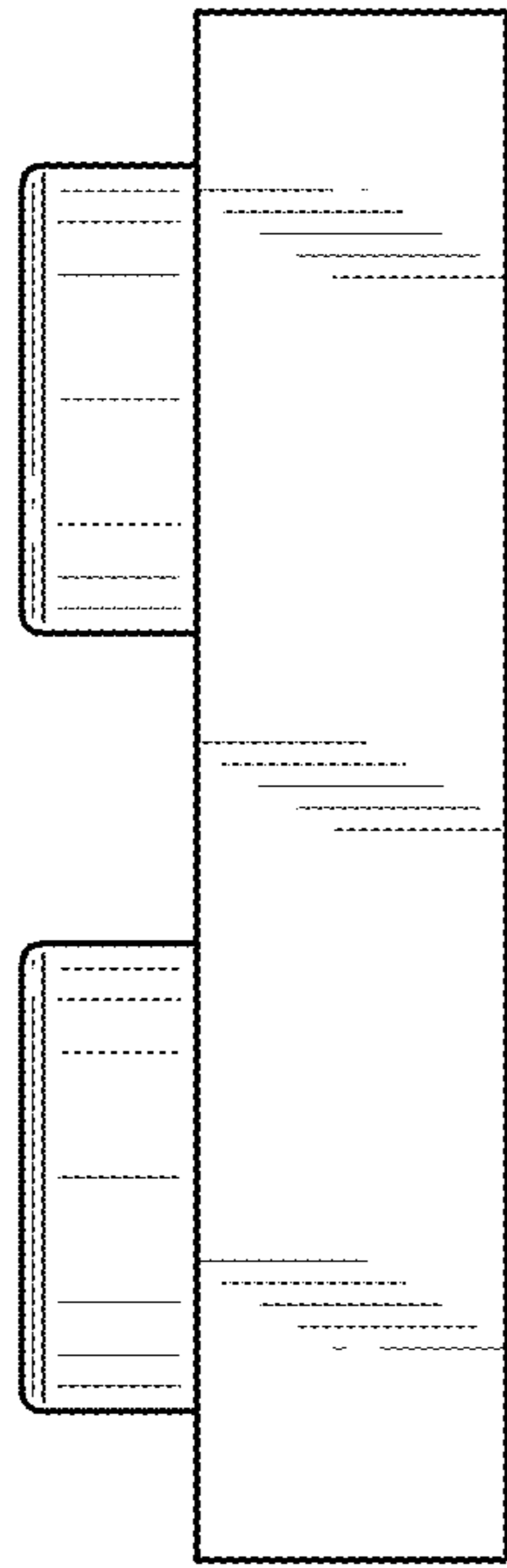


FIG. 4

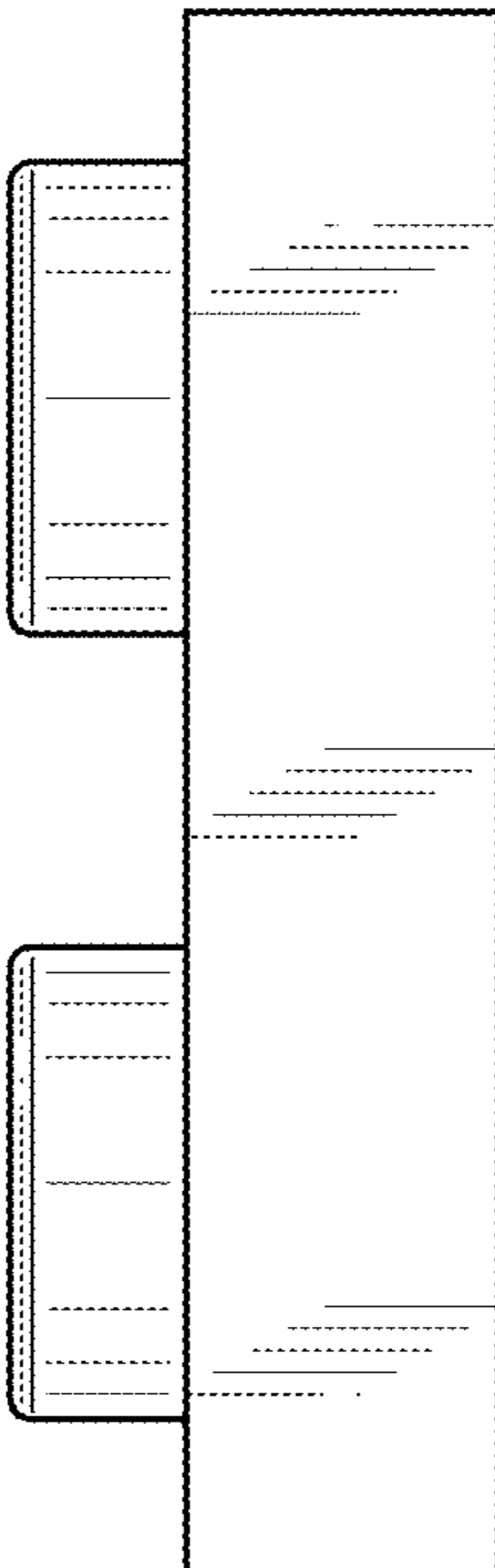


FIG. 5

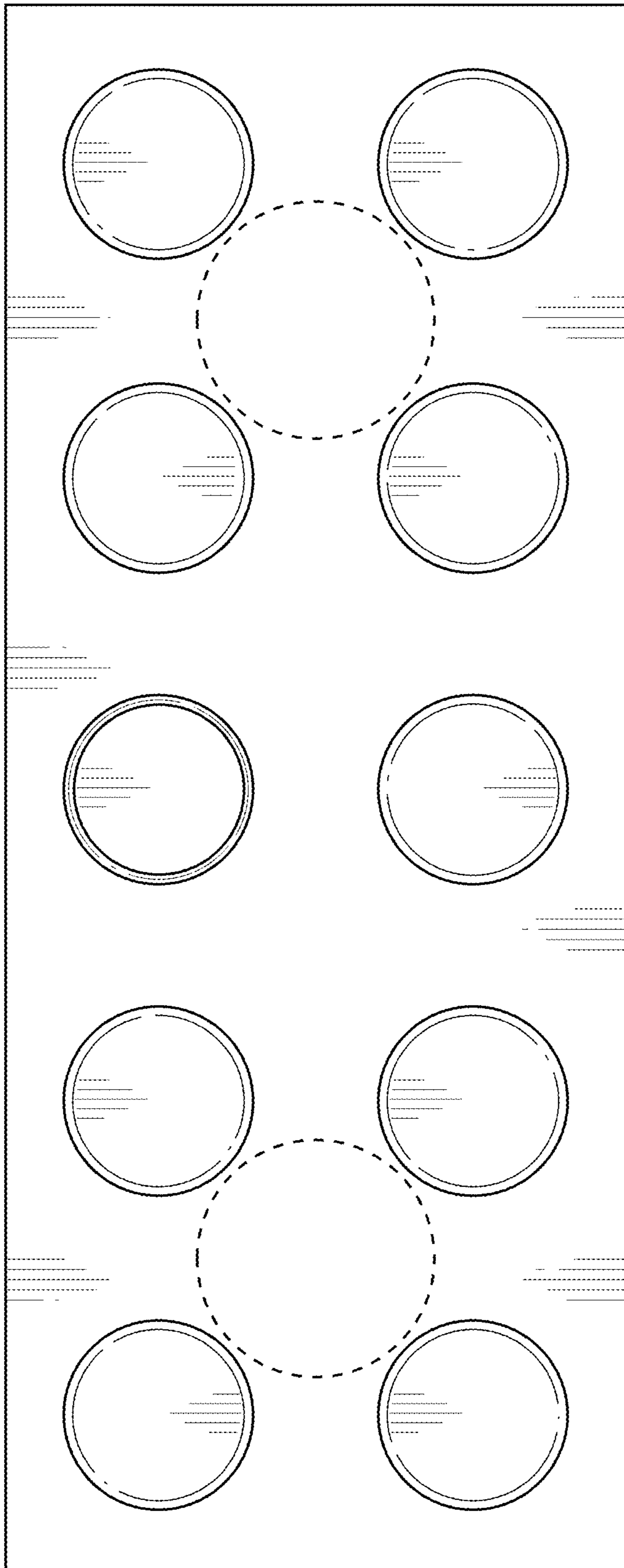


FIG. 6

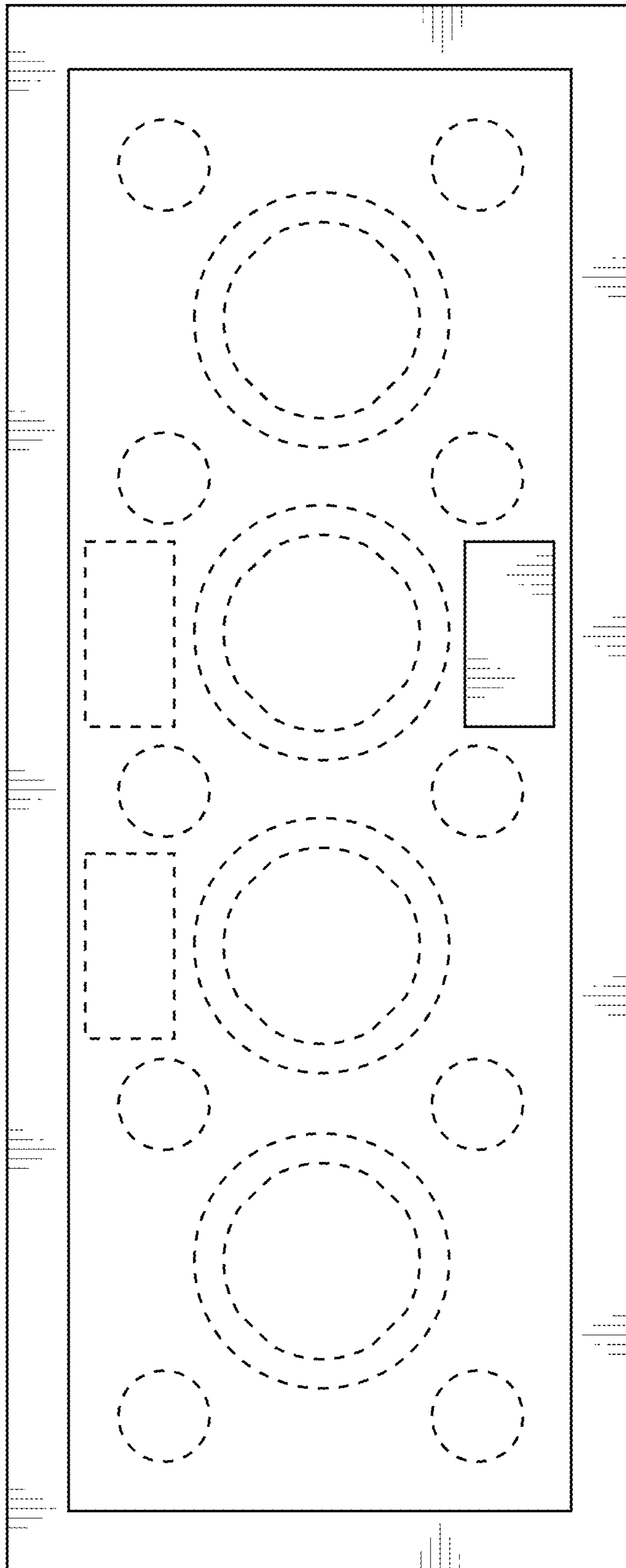


FIG. 7

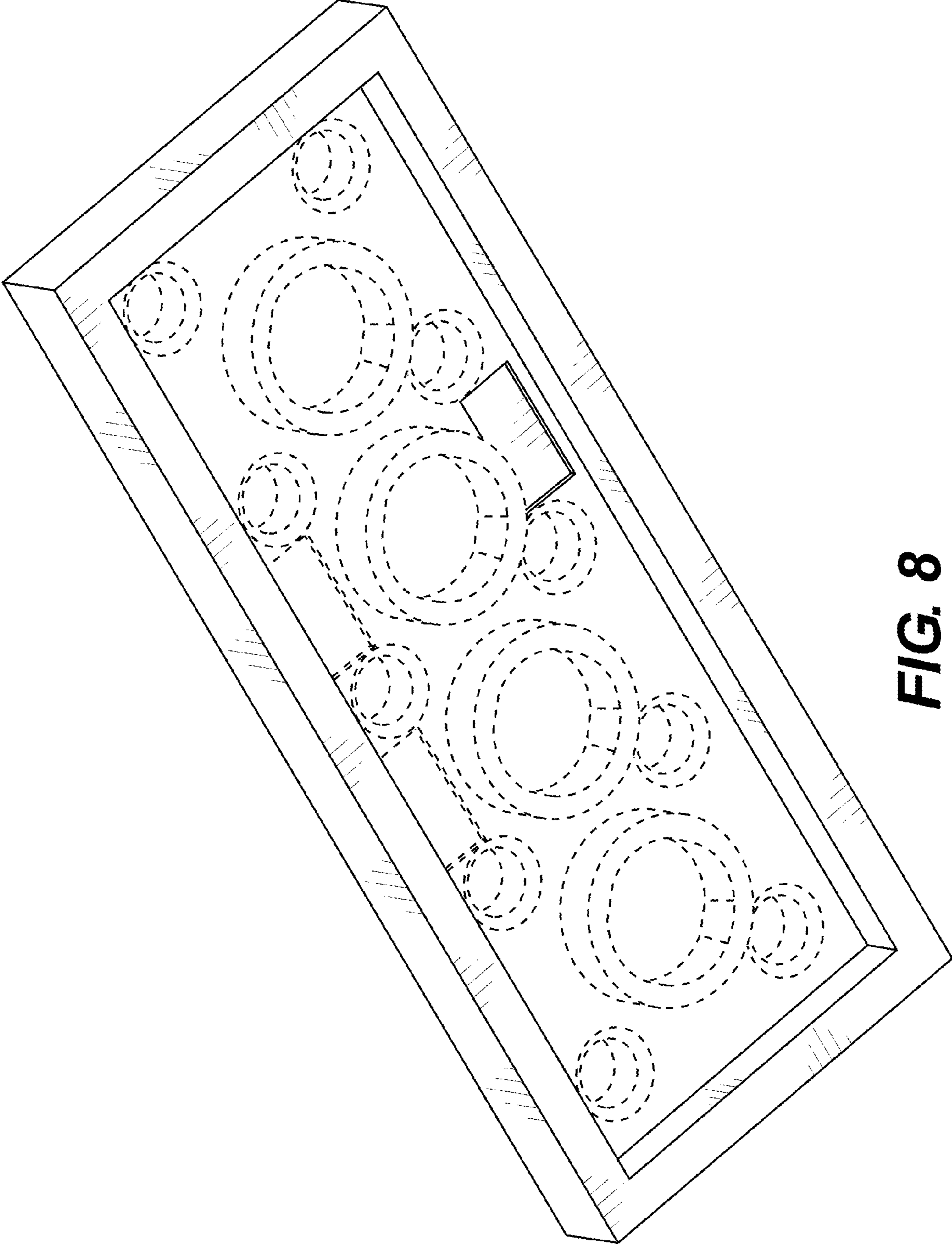


FIG. 8

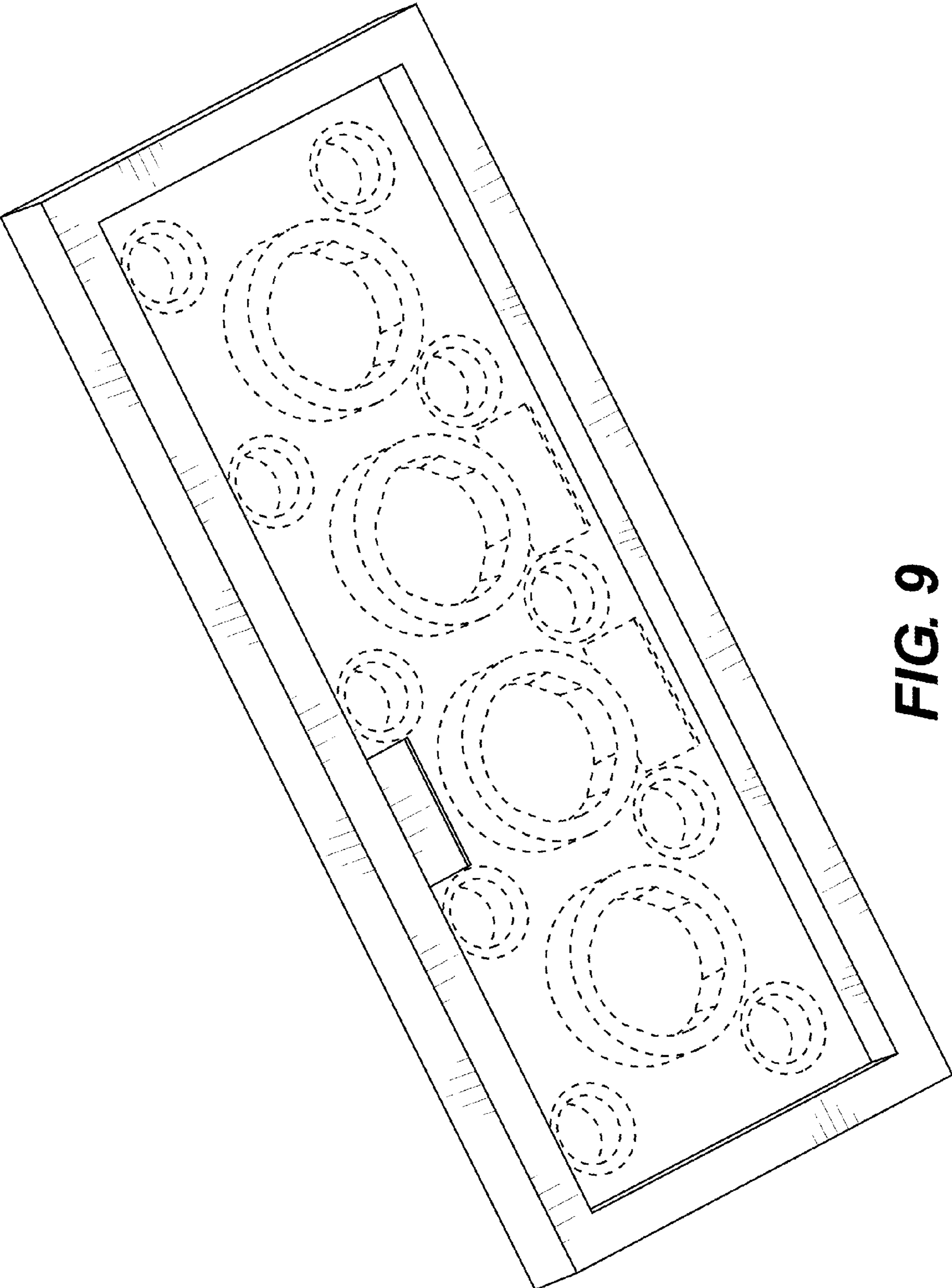


FIG. 9