



US00D977025S

(12) **United States Design Patent** (10) **Patent No.:** **US D977,025 S**
Fan (45) **Date of Patent:** **** Jan. 31, 2023**

(54) **PUZZLE TABLE WITH DRAWERS**

(71) Applicant: **SHANGHAI WEIFANWO INFORMATION TECHNOLOGY STUDIO**, Shanghai (CN)

(72) Inventor: **Wei Fan**, Taiyuan (CN)

(73) Assignee: **SHANGHAI WEIFANWO INFORMATION TECHNOLOGY STUDIO**, Shanghai (CN)

(**) Term: **15 Years**

(21) Appl. No.: **29/800,395**

(22) Filed: **Jul. 21, 2021**

(51) **LOC (14) Cl.** **21-01**

(52) **U.S. Cl.**
USPC **D21/480**; D21/397; D6/686; D3/274; D3/297

(58) **Field of Classification Search**
USPC D21/334, 338, 365, 397, 480, 469, 522; D19/106, 113, 114, 91; D6/300, 301, D6/310, 312, 329, 641, 642, 655, 655.1, D6/655.16, 655.23, 656.19, 657, 663, D6/664, 667, 671, 672, 673, 675, 675.4, D6/682, 683, 683.1, 684, 686, 691, 698, D6/700, 701, 704, 705, 707.15, 707.19, D6/406.1–406.6; D3/201, 206, 273, 274, D3/288, 294–298, 315; 273/148 R, 273/157 R, 309
CPC .. A63F 2003/00952; A63F 2003/00974; A63F 2003/00987; A63F 2003/0099; A63F 9/1044; A63F 2009/105; A63F 2009/1055; A47B 3/10; A47B 13/081; A47B 19/06; A47B 23/002; A47B 23/04; A47B 23/042; A47B 23/043; A47B 23/06; A47B 25/00; A47B 37/00; A47B 63/02; A47B 97/02; A47B 97/04; A47B 97/08

See application file for complete search history.

(56) **References Cited**

U.S. PATENT DOCUMENTS

D58,138 S * 6/1921 Deig 273/287
1,987,496 A * 1/1935 Springborn A63F 9/1044
273/157 R
D135,507 S * 4/1943 Hillenbrand D6/707.15
D153,668 S * 5/1949 Craighead D6/310

(Continued)

FOREIGN PATENT DOCUMENTS

CN 202095801 U * 1/2012
CN 305985972 * 8/2020

(Continued)

OTHER PUBLICATIONS

Standard and Jumbo Puzzle Plateau Loungers With Covers—Item #44215 / Item #44216 . YouTube video posted by bitsandpiecesweb on Oct. 29, 2018 at: <<https://www.youtube.com/watch?v=609vnEB23cE&t=33s>> [Accessed Oct. 8, 2022] (Year: 2018).*

(Continued)

Primary Examiner — Catherine A Tuttle

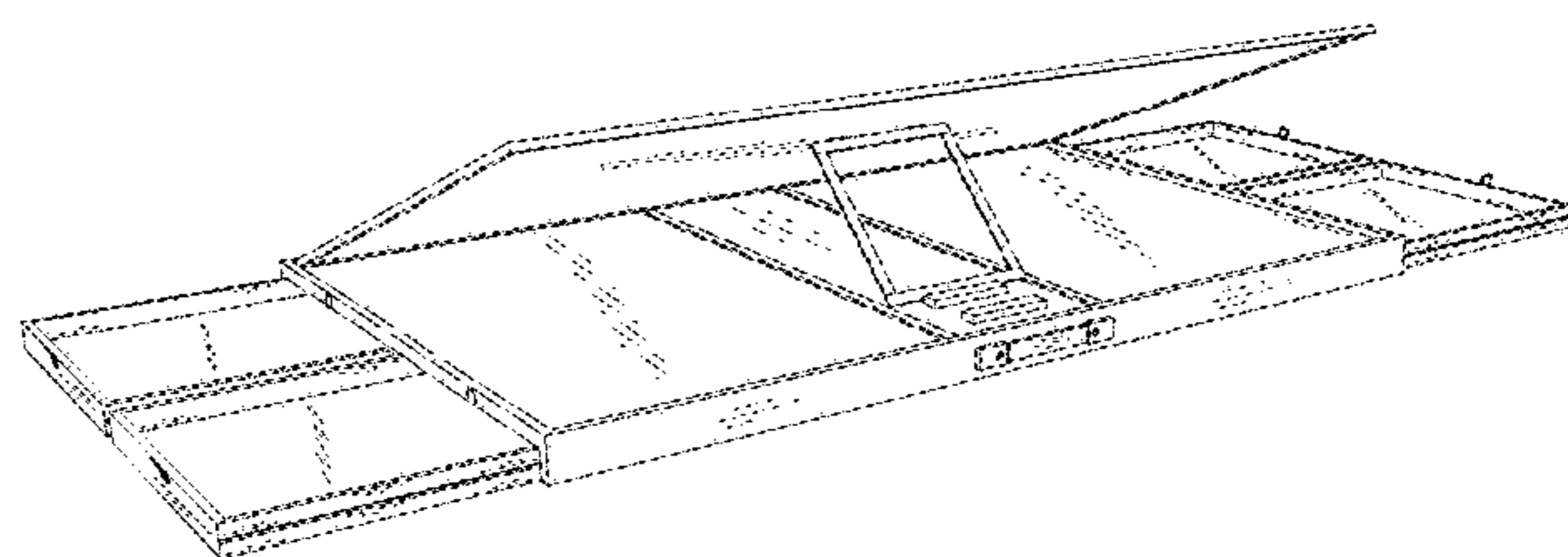
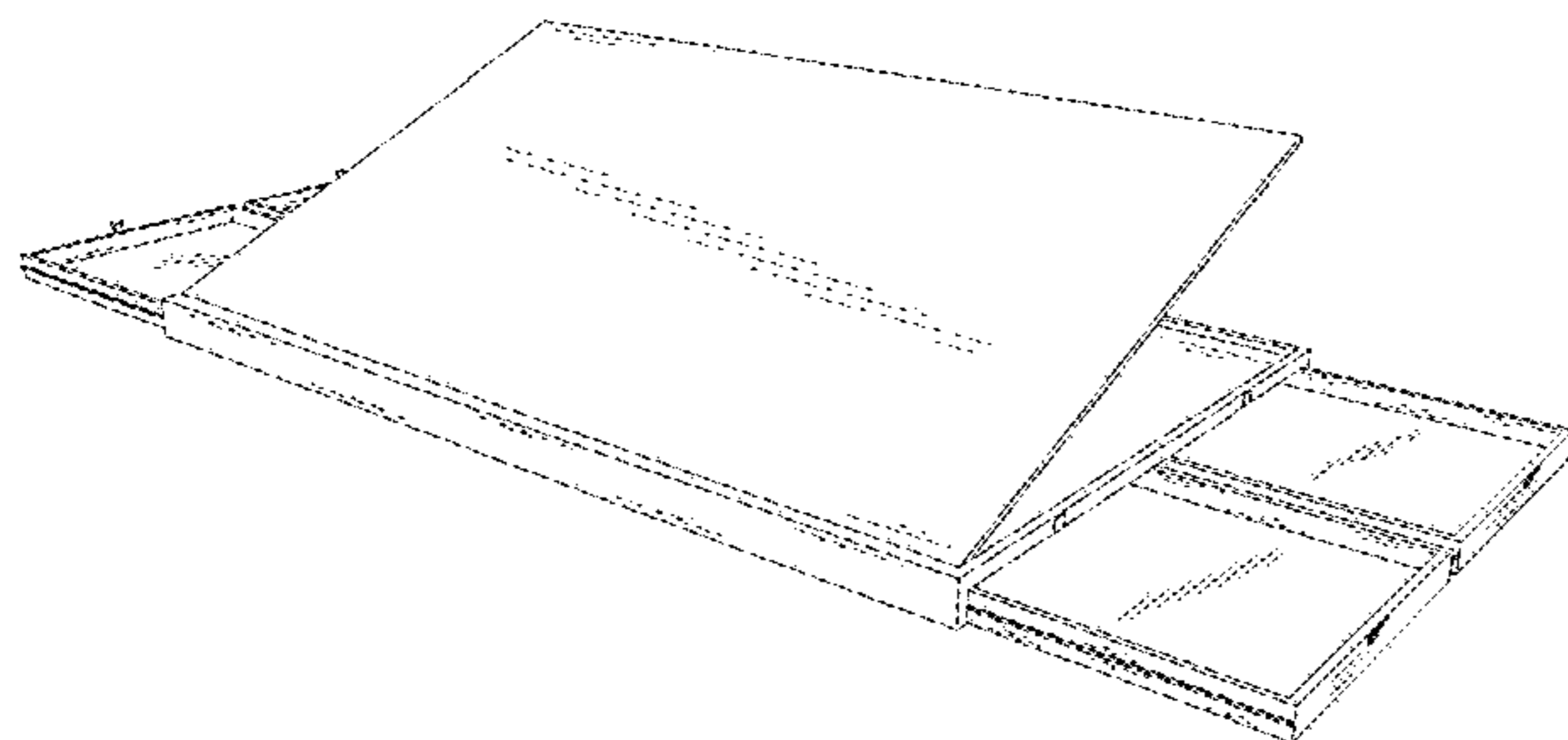
(57) **CLAIM**

The ornamental design for a puzzle table with drawers, as shown and described.

DESCRIPTION

FIG. 1 is a top front perspective view of a puzzle table with drawers showing my new design;
FIG. 2 is a top rear perspective view thereof;
FIG. 3 is a front elevational view thereof;
FIG. 4 is a rear elevational view thereof;
FIG. 5 is a left side elevational view thereof;
FIG. 6 is a right side elevational view thereof;
FIG. 7 is a top plan view thereof; and,
FIG. 8 is a bottom plan view thereof.

1 Claim, 8 Drawing Sheets



(56)

References Cited

U.S. PATENT DOCUMENTS

2,506,189 A * 5/1950 Attridge A63F 9/1044
40/739
3,792,668 A * 2/1974 Ward A47B 1/00
190/11
D249,532 S * 9/1978 Cudahy, III D19/113
4,436,307 A * 3/1984 Caldwell A63F 9/1044
273/157 R
4,865,325 A * 9/1989 Stolz A63F 9/1044
273/157 R
D393,761 S * 4/1998 Hinton D21/478
D400,600 S * 11/1998 Ackerman D21/478
6,928,932 B1 * 8/2005 Ferrill A47B 37/00
108/26
D519,746 S 5/2006 Ng
7,552,821 B1 * 6/2009 Demers A63F 9/1044
206/499
D647,302 S * 10/2011 Hoang D3/288
9,044,688 B1 * 6/2015 Janay A63H 33/04
9,603,447 B2 * 3/2017 Hood F16M 13/06

D844,714 S 4/2019 Witze
D915,526 S * 4/2021 Bailey D21/478
2021/0170268 A1 * 6/2021 Malki A63F 9/1044

FOREIGN PATENT DOCUMENTS

GB 6073264 * 10/2019
GB 6073265 * 10/2019
GB 6073266 * 10/2019
GB 6073267 * 10/2019
KR 20130003391 U * 6/2013

OTHER PUBLICATIONS

Jumbl 1000-Piece Puzzle Board | 23"x31" Wooden Jigsaw Puzzle Table with 4 Removable Storage & Sorting Drawer featured on webpage: <<https://www.amazon.com.au/Jumbl-Removable-Fiberboard-Reinforced-Hardwood/dp/B081BBC7VK?th=1>> Date First Available: Nov. 11, 2019 [Accessed Oct. 8, 2022] (Year: 2022).*
Wooden Puzzle Table with Four Sliding Drawers for up to 1000 Pieces posted by Jigsawdepot at: <<https://www.youtube.com/watch?v=nhov33-jZnM>> Apr. 20, 2021 (Year: 2021).*

* cited by examiner

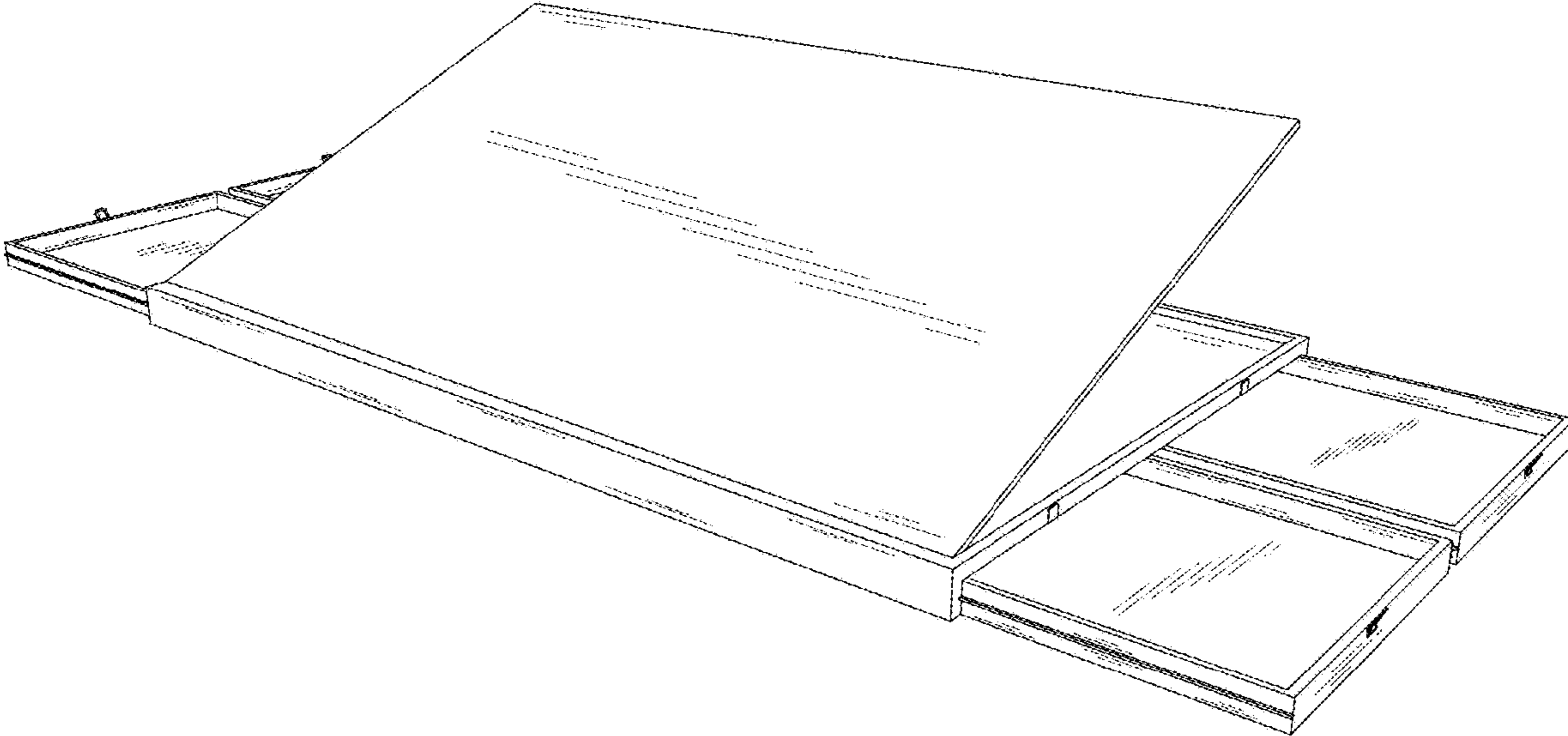


FIG. 1

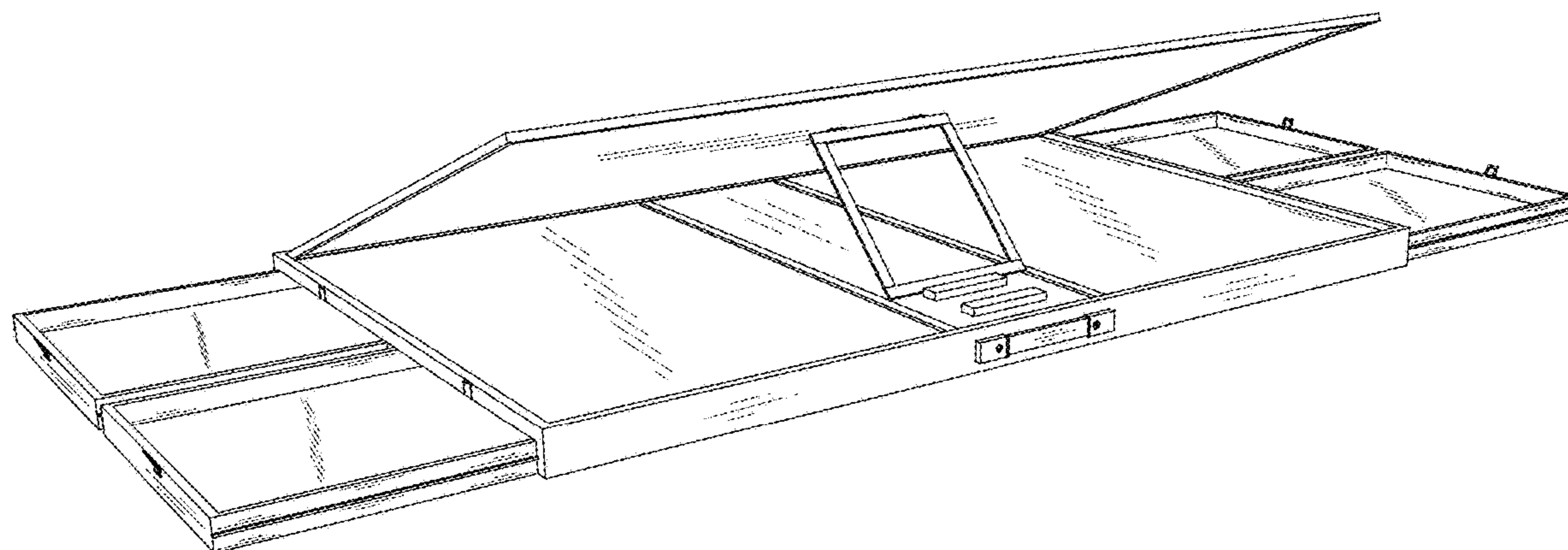


FIG. 2

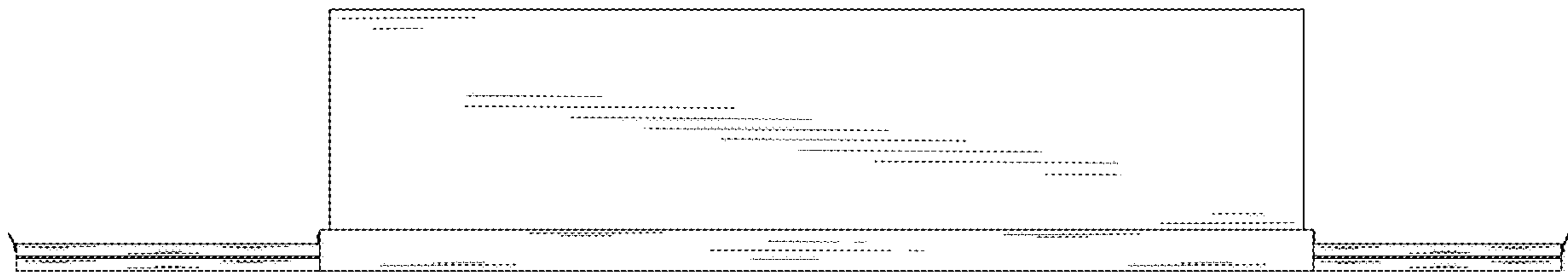


FIG. 3

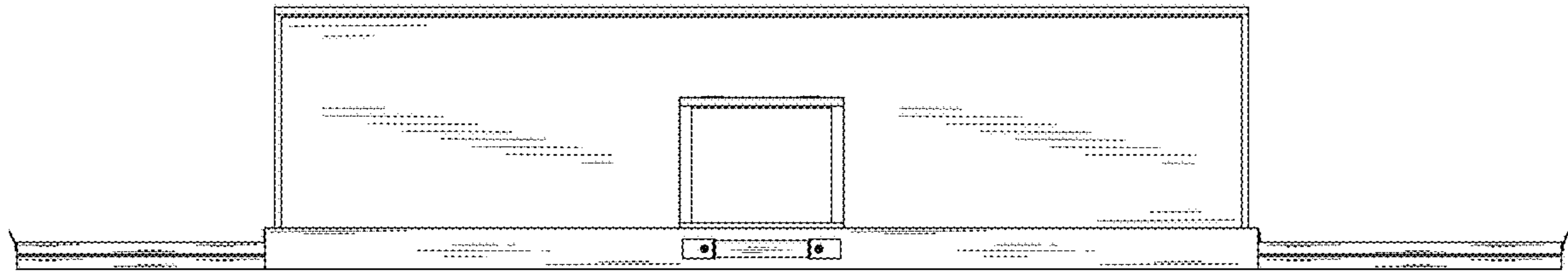


FIG. 4

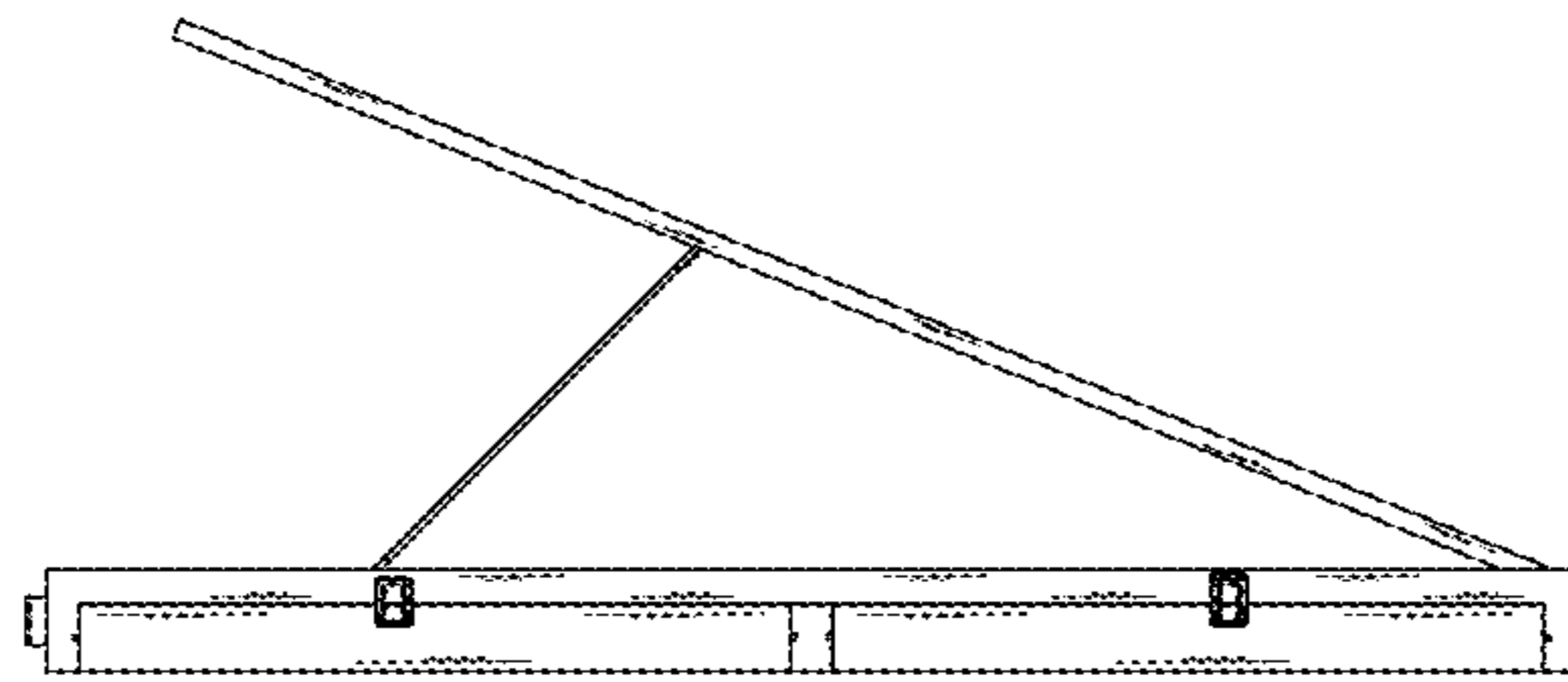


FIG. 5

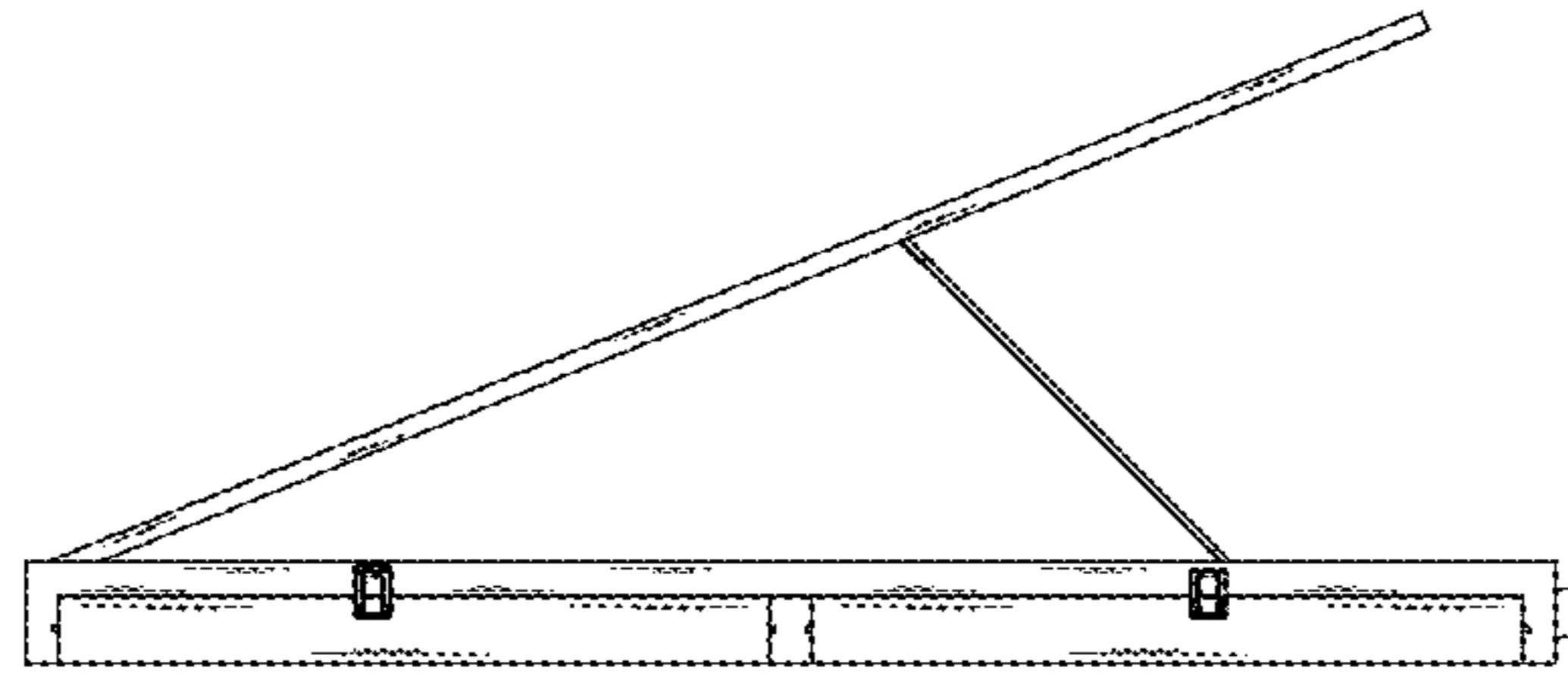


FIG. 6

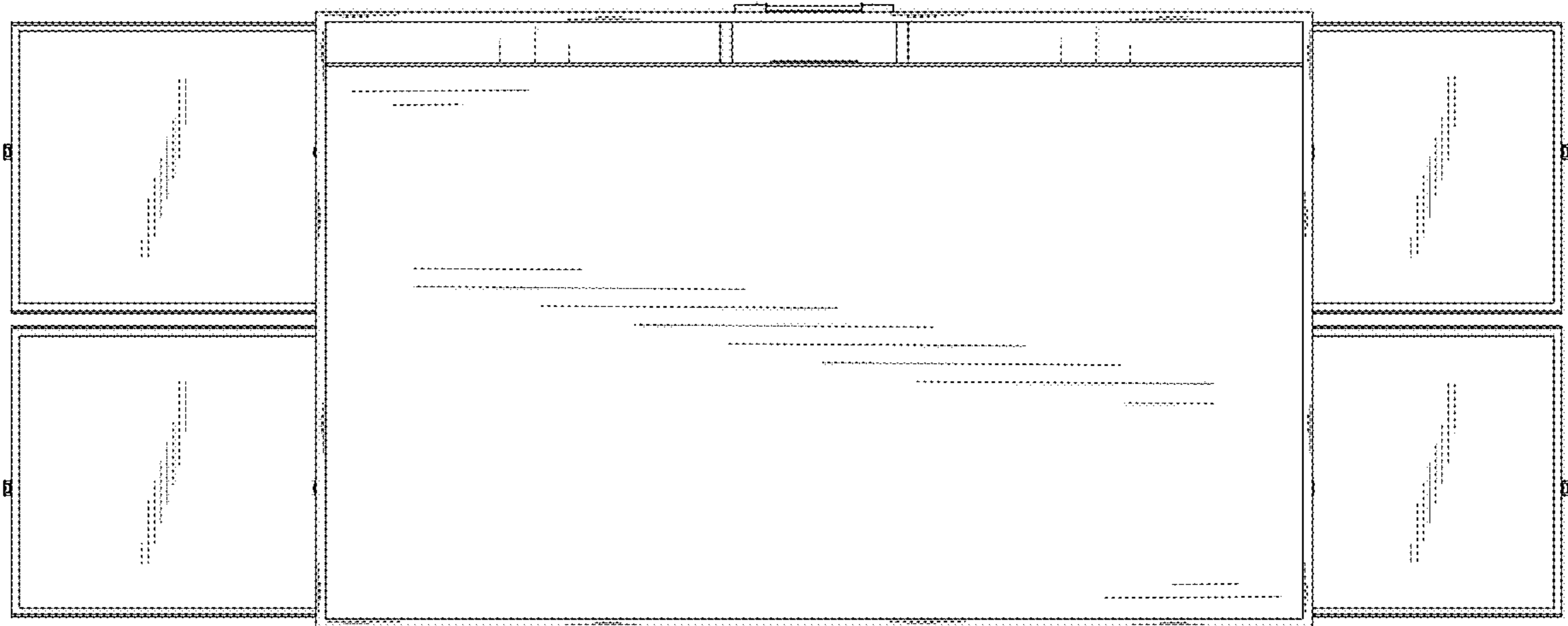


FIG. 7

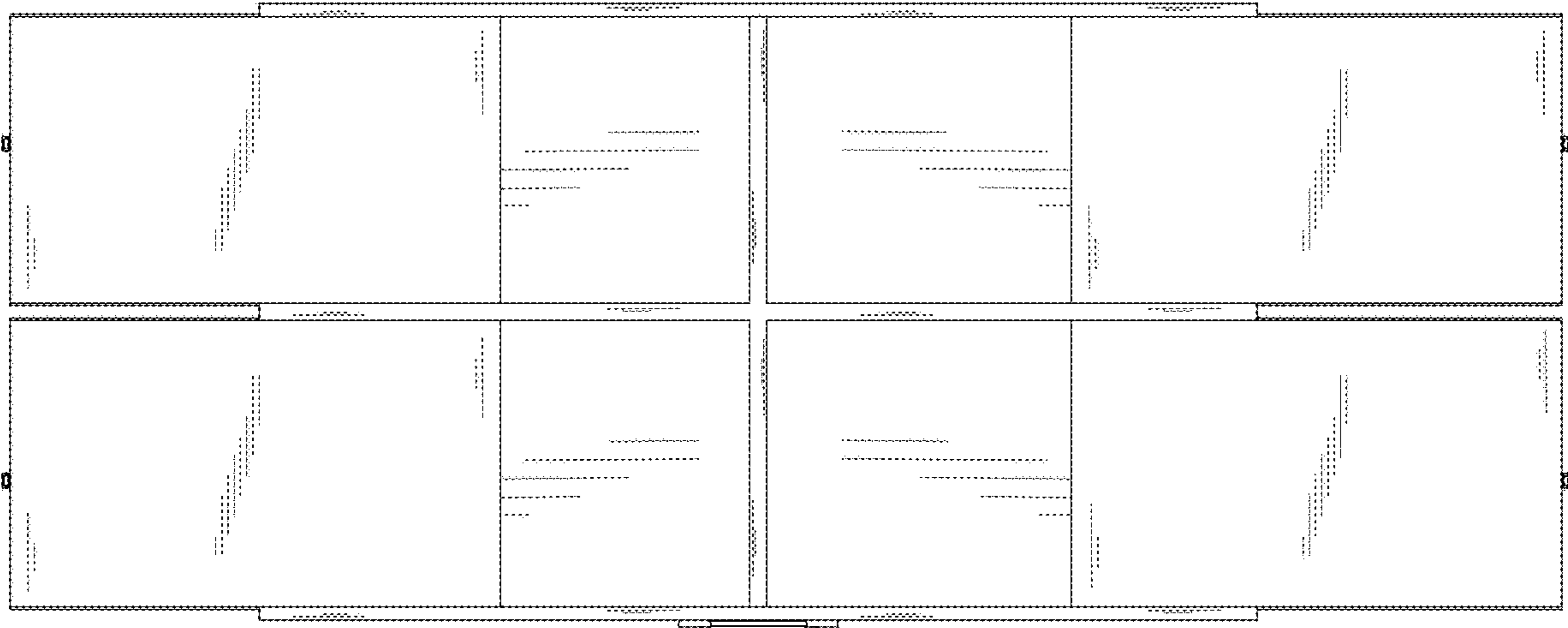


FIG. 8