

US00D977024S

(12) **United States Design Patent**
Greenwood

(10) **Patent No.:** **US D977,024 S**
(45) **Date of Patent:** **** Jan. 31, 2023**

- (54) **BUILDING SET DESIGN**
- (71) Applicant: **Kontu, Inc.**, Wilmington, DE (US)
- (72) Inventor: **Patrick Greenwood**, Boulder, CO (US)
- (73) Assignee: **KONTU, INC.**, Wilmington, DE (US)
- (**) Term: **15 Years**
- (21) Appl. No.: **29/679,465**
- (22) Filed: **Feb. 6, 2019**
- (51) **LOC (14) Cl.** **21-01**
- (52) **U.S. Cl.**
USPC **D21/471; D21/479; D21/484**
- (58) **Field of Classification Search**
USPC D21/338, 341, 342, 345, 346, 385, 386,
D21/390, 391, 404, 478–480, 484–505,
D21/300, 398, 468, 475; 446/85–128;
D19/59, 62, 64; 434/190, 195, 196, 200,
(Continued)

(56) **References Cited**

U.S. PATENT DOCUMENTS

- 2,819,904 A 1/1958 Nelson et al.
 - 3,254,440 A 6/1966 Duggar
 - 3,694,932 A 10/1972 McGrath
- (Continued)

FOREIGN PATENT DOCUMENTS

- CN 3595912 * 1/2007
 - CN 101797431 A * 8/2010 A63F 3/00634
- (Continued)

OTHER PUBLICATIONS

Extended European Search Report, including the supplementary European search report and the European search opinion in corresponding co-owned EPO Application No. 18854187.4, 22 pages, Apr. 30, 2021.

(Continued)

Primary Examiner — Catherine A Tuttle
(74) *Attorney, Agent, or Firm* — Trenner Law Firm, LLC; Mark D. Trenner

(57) **CLAIM**

The ornamental design for a building set design, substantially as shown and described.

DESCRIPTION

FIG. 1 is a top perspective view showing my new design for a building set with the marker and tray components in an exploded state;

FIG. 2 is a top perspective view showing the marker and tray components in an assembled state;

FIG. 3 is a bottom perspective view of the tray components;

FIG. 4 is a front elevational view showing the marker and tray components in an exploded state;

FIG. 5 is a rear elevational view of FIG. 2;

FIG. 6 is a top plan view of one exemplary marker component;

FIG. 7 is a bottom plan view thereof;

FIG. 8 is a side elevational view thereof;

FIG. 9 is another side elevational view thereof;

FIG. 10 is a top plan view of the tray components;

FIG. 11 is a bottom plan view thereof;

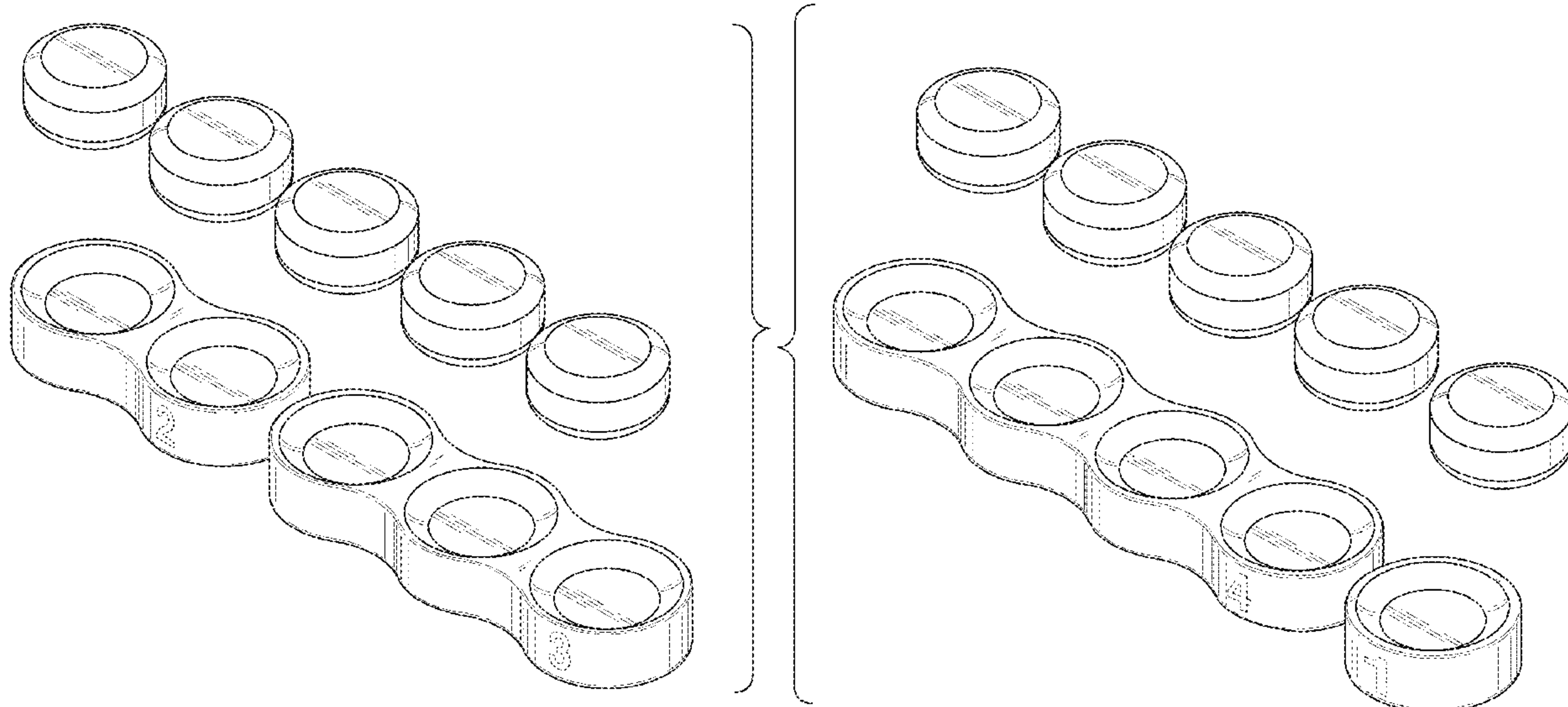
FIG. 12 is an end view of the exploded state shown in FIG. 4;

FIG. 13 is an end view of the assembled state shown in FIGS. 2 and 5; and,

FIG. 14 is an exploded top perspective view showing an alternate embodiment of my new design, wherein the modification resides in the relative length and number of compartments in each tray component.

The dashed lines depict numeral indicia that forms no part of the claimed design.

1 Claim, 7 Drawing Sheets



(58) **Field of Classification Search**

USPC 434/204, 208, 210; 273/153 R, 156,
273/157 R
CPC A63H 33/04–14; A63H 33/26; A63F
3/00173; A63F 3/00176; A63F 3/00261;
A63F 3/00574; A63F 3/0023; A63F
3/0052; A63F 3/0415; A63F 3/00694;
A63F 2003/00359; A63F 2003/00747;
A63F 2003/00794; A63F 2003/0081;
A63F 2003/0035; A63F 2003/00391;
A63F 2003/00394; A63F 2003/004; A63F
2003/0047; A63F 2003/0063; A63F
2003/00716; A63F 2003/00738; A63F
2003/0076; A63F 2003/00832; A63F
2003/00839; A63F 2003/00845; A63F
2003/046; A63F 9/00; A63F 9/06; A63F
9/0073; A63F 9/0098; A63F 9/20; A63F
2250/609; G09B 1/02; G09B 1/08; G09B
19/02

See application file for complete search history.

(56) **References Cited**

U.S. PATENT DOCUMENTS

3,877,170 A * 4/1975 Bakker A63H 33/088
446/124
4,021,042 A 5/1977 Sweeton
4,462,596 A 7/1984 Yamamoto
4,487,585 A 12/1984 Goldwasser
D284,207 S * 6/1986 Kassai D21/486
D284,393 S * 6/1986 Kassai D21/486
4,808,111 A 2/1989 Pratt
4,822,051 A 4/1989 Nowak
5,149,102 A 9/1992 McGowan et al.
5,366,226 A 11/1994 McGowan et al.
5,409,234 A * 4/1995 Bechter A63F 3/00214
273/271
D370,034 S * 5/1996 Kipfer D21/386
D371,583 S * 7/1996 Knudsen D21/503
5,662,326 A 9/1997 Gebran
5,746,638 A 5/1998 Shiraishi
5,848,788 A 12/1998 Hess
5,949,050 A 9/1999 Fosbenner et al.
D420,062 S * 2/2000 Glickman D21/504
D426,588 S * 6/2000 Glickman D21/504
6,086,444 A * 7/2000 Glickman A63H 33/08
446/124
D706,363 S * 6/2014 Norman D21/491
8,850,683 B2 10/2014 Haughey et al.
D747,420 S * 1/2016 Zhang D21/486

9,266,032 B2 2/2016 Haughey et al.
D778,368 S * 2/2017 Edevold D21/393
D786,364 S * 5/2017 Richards D21/484
9,662,592 B2 5/2017 Haughey et al.
D833,540 S * 11/2018 Zhang D21/486
D849,850 S * 5/2019 Holowka D21/484
2004/0067120 A1 4/2004 Speer
2007/0085269 A1 4/2007 Martin, Jr. et al.
2010/0242250 A1 9/2010 Haughey et al.
2014/0213139 A1 * 7/2014 Ferguson A63H 33/046
446/92
2014/0377736 A1 12/2014 Essen
2016/0310864 A1 * 10/2016 Cheung A63H 33/046
2019/0073922 A1 3/2019 Greenwood

FOREIGN PATENT DOCUMENTS

CN 303182186 * 4/2015
CN 109568982 A * 4/2019
DE 3643005 A1 * 8/1987 A63H 33/088
DE 20101964 U1 * 6/2001 A63H 33/086
DE 202013104293 U1 * 11/2013 A63H 33/08
EM 000820451-0001 * 3/2008
FR 065877-001 * 1/2010
GB 2396569 A * 6/2004 A63F 9/1288
GB 2527106 12/2015
KR 20130133355 A * 12/2013
KR 20160080661 7/2016
WO WO-9322018 A1 * 11/1993 A63H 33/086
WO 2010111189 9/2010

OTHER PUBLICATIONS

Espace English Machine Translation of KR20160080661, 15 pages.
Unofficial translation from Chinese—First Office Action in corre-
sponding co-owned Chinese Application No. 201880068912.9, 7
pages, dated Dec. 2, 2021.
Photographs of Smart Game, Little Red Riding Hood, known to the
inventor to be publicly available at least as early as Jul. 2018, 4 pgs.
Written Opinion of the International Searching Authority for PCT/
US18/49235 and Patent Cooperation Treaty International Search
Report for PCT/US18/49235, dated Nov. 21, 2018, 6 pages.
“Learning Resources Connecting Ten-Frame Trays, 165 Pieces,”
Learning Resources, <https://www.amazon.com/Learning-Resources-Connecting-Ten-Frame-Pieces/dp/B01N9KC0DL>, Dec. 23, 2016.
“Math Stories,” Mathematics Enhanced Scope and Sequence, Vir-
ginia Department of Education, https://web.archive.org/web/20161226210744/https://doe.virginia.gov/testing/solsearch/sol/math/K/mess_k-6.pdf. Dec. 26, 2016.
Product page from website at <https://kodokids.com/links>, copyright
2019, 2 pgs.

* cited by examiner

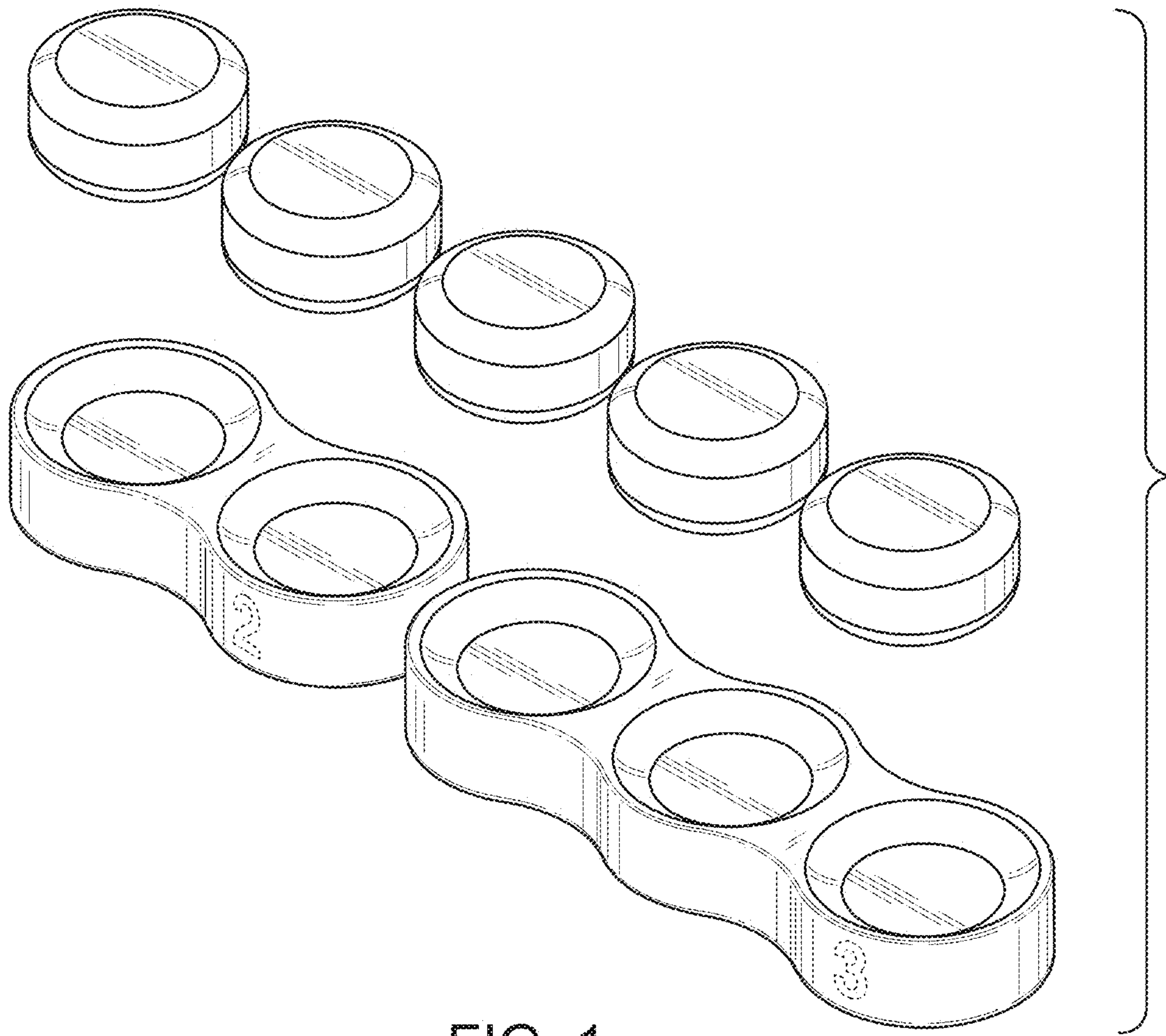


FIG. 1

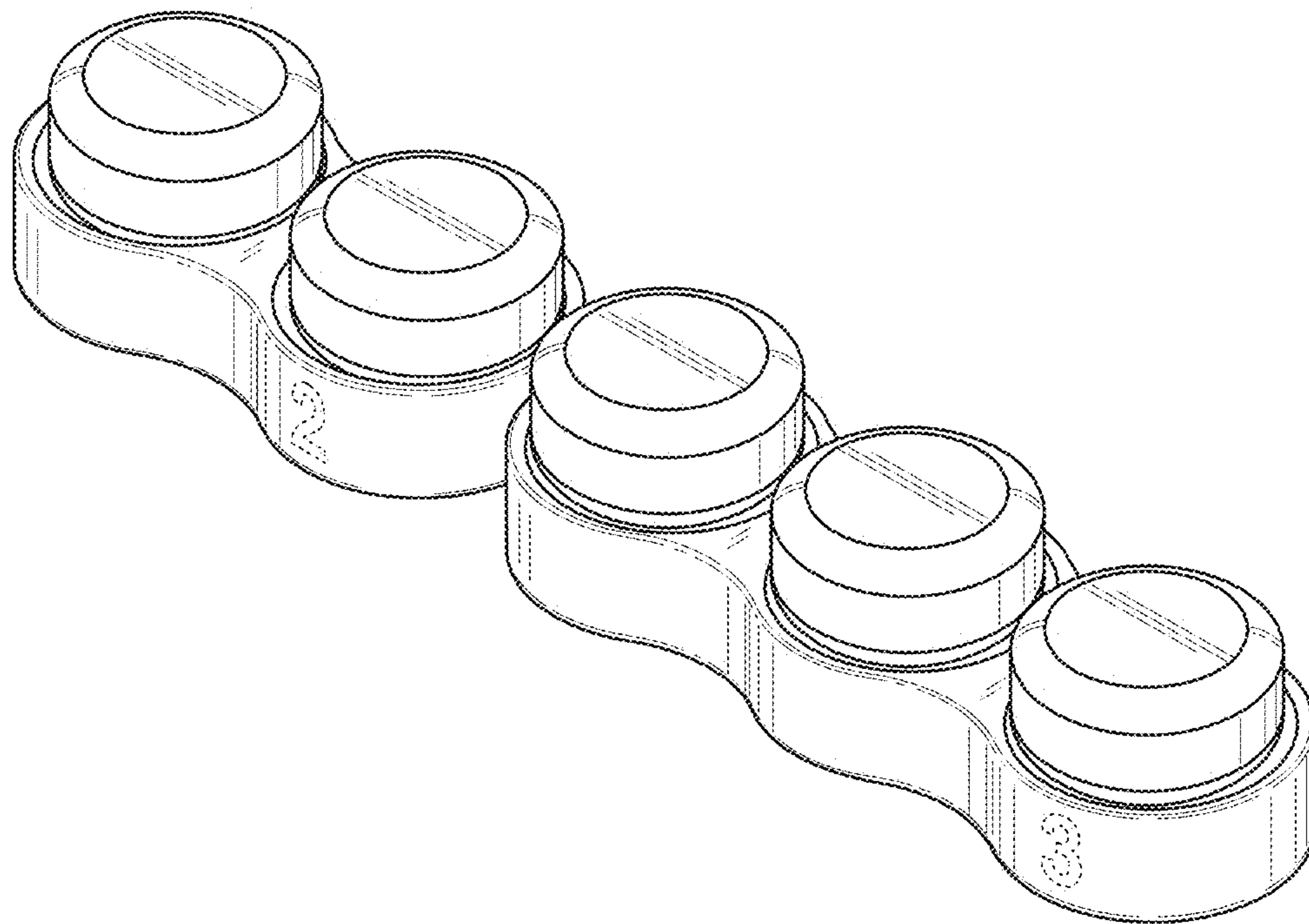


FIG. 2

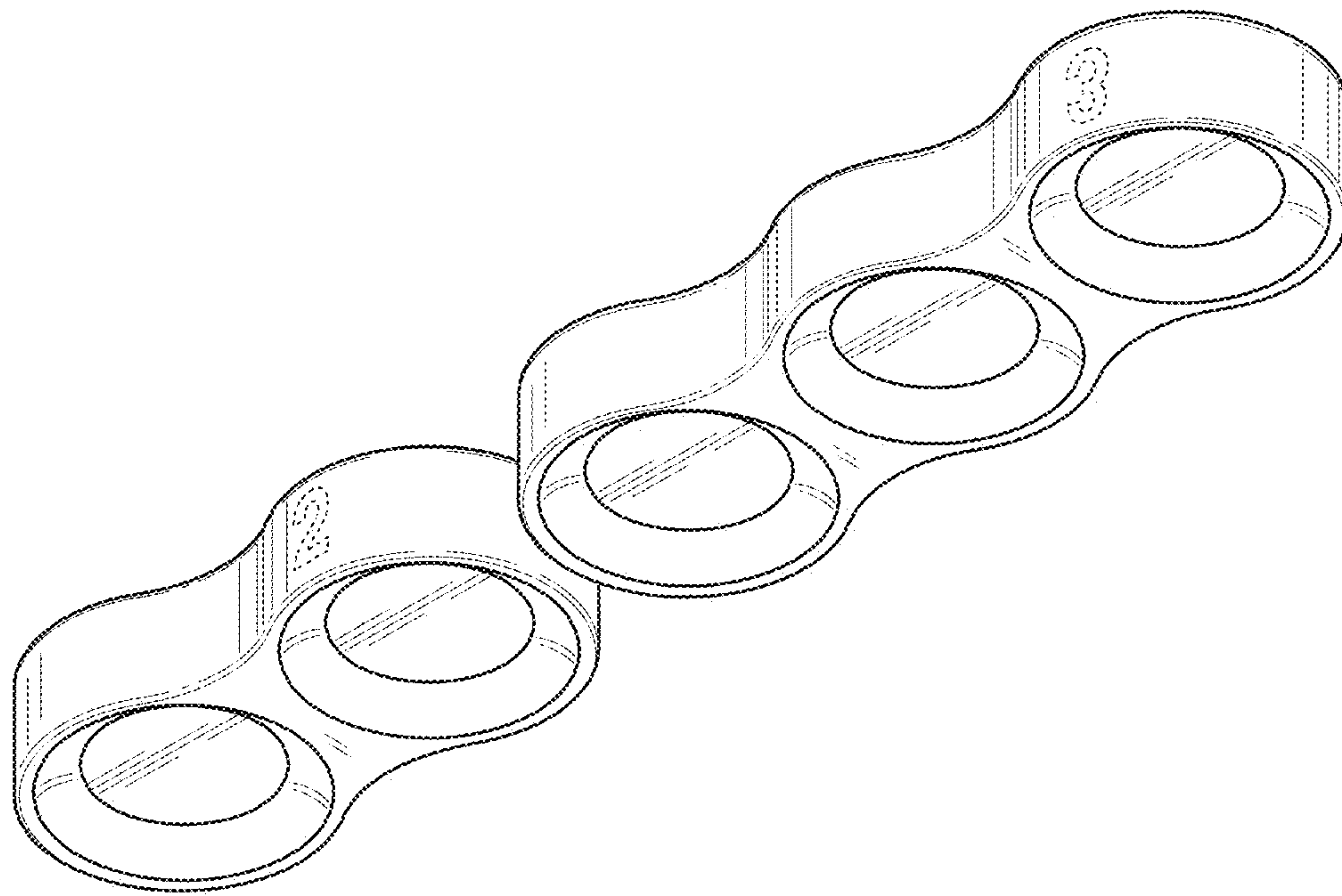


FIG. 3

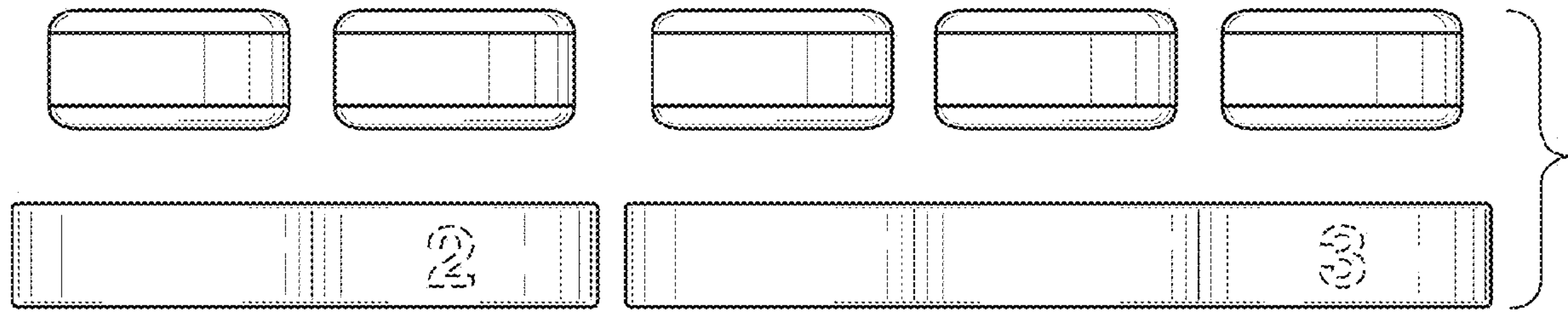


FIG. 4

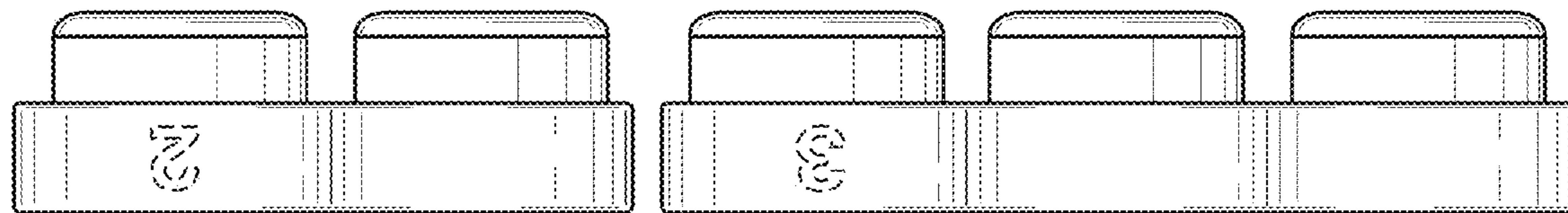


FIG. 5

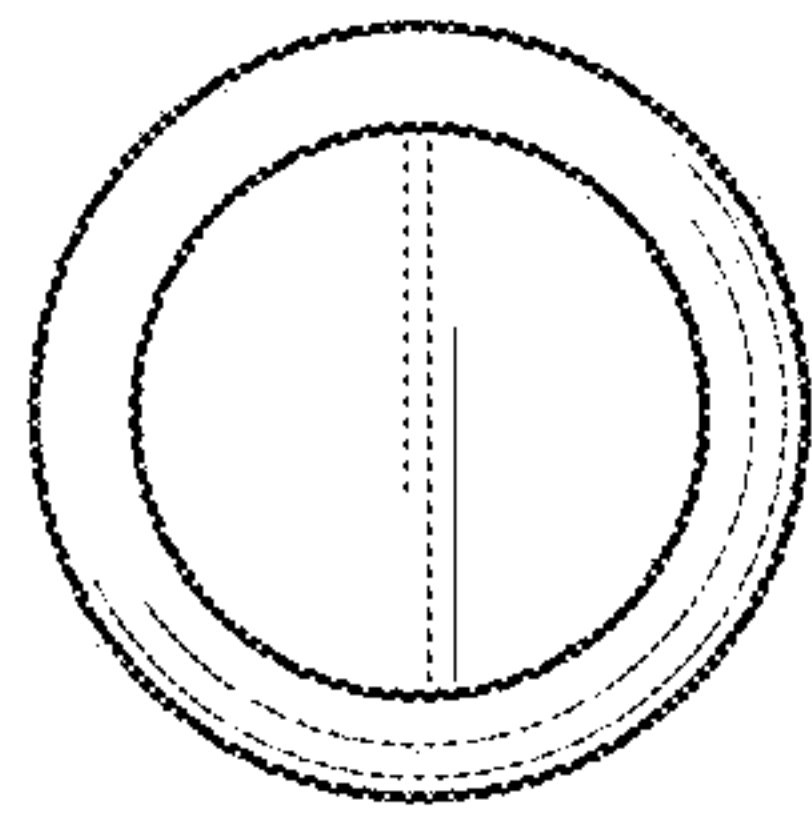


FIG. 6

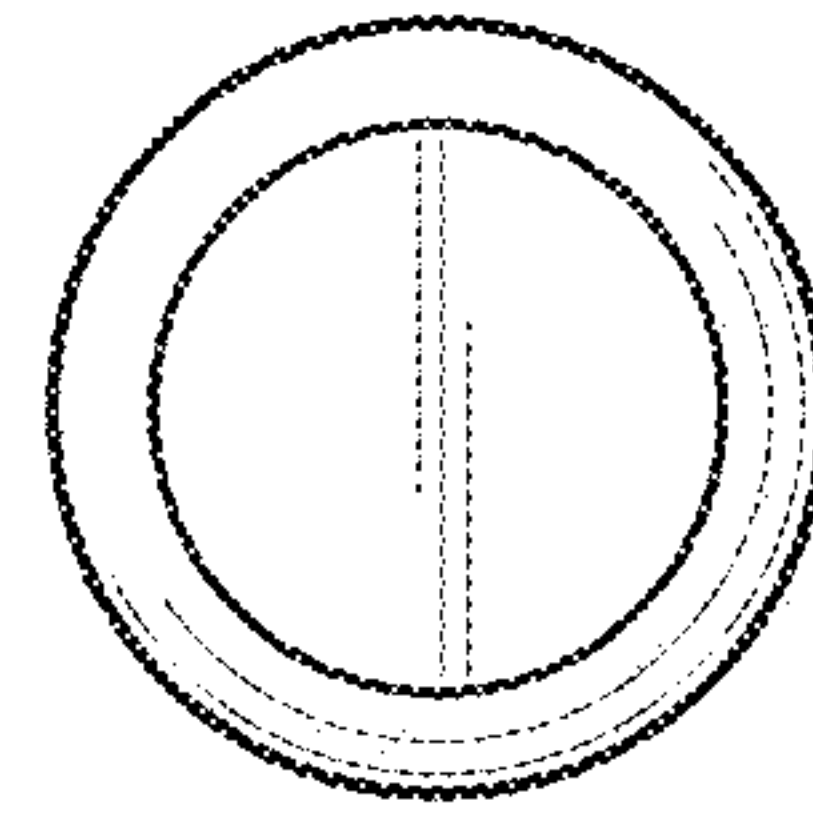


FIG. 7

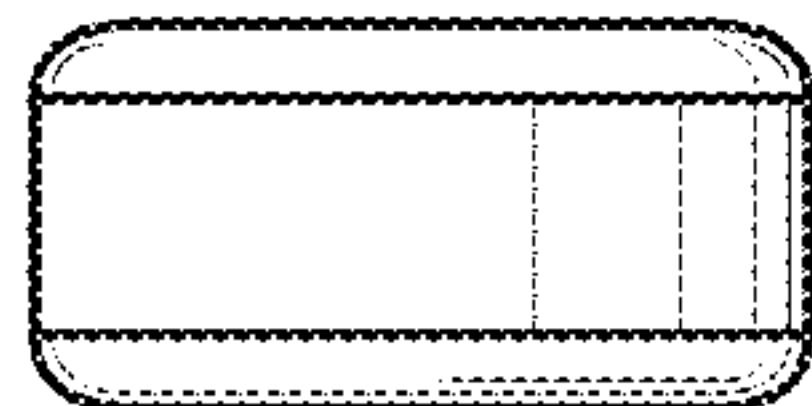


FIG. 8

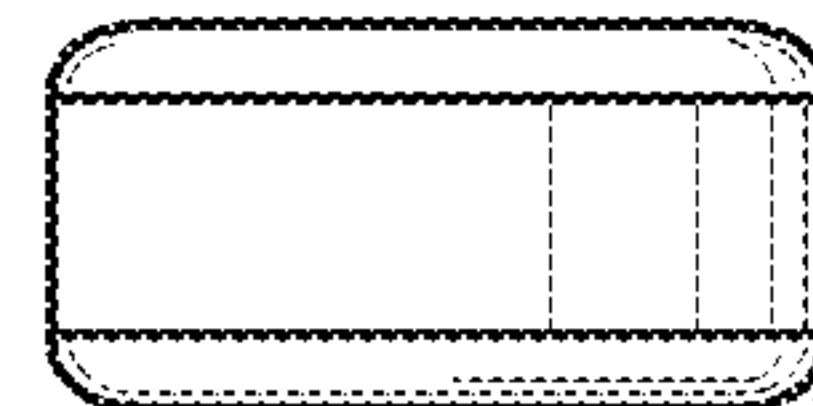


FIG. 9

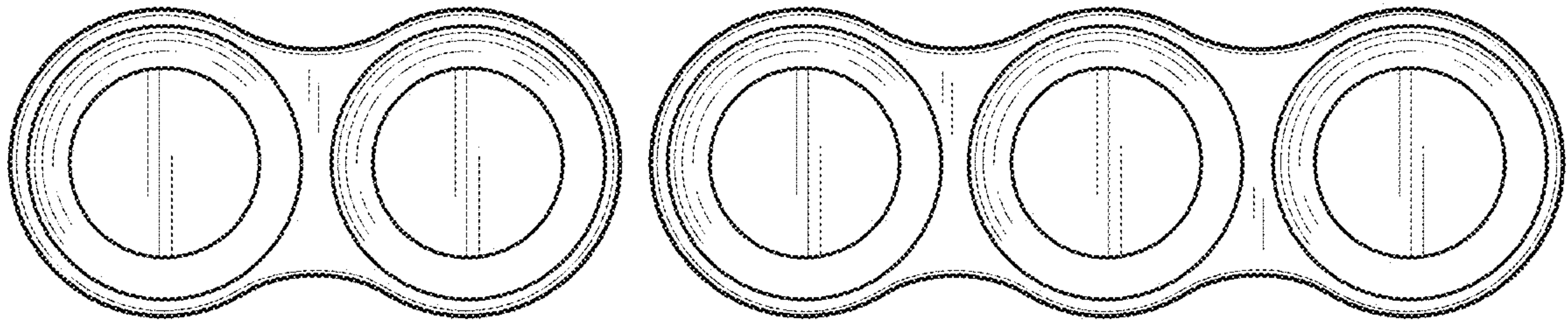


FIG. 10

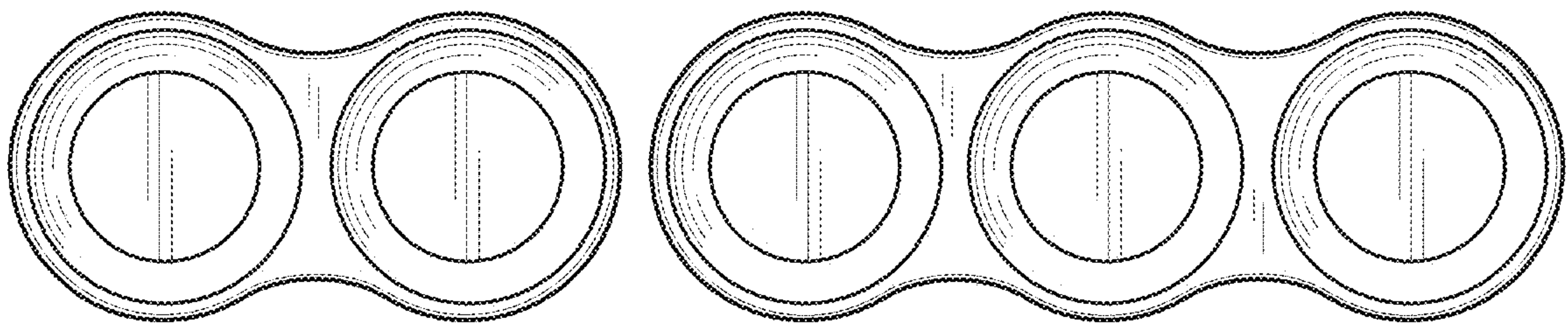


FIG. 11

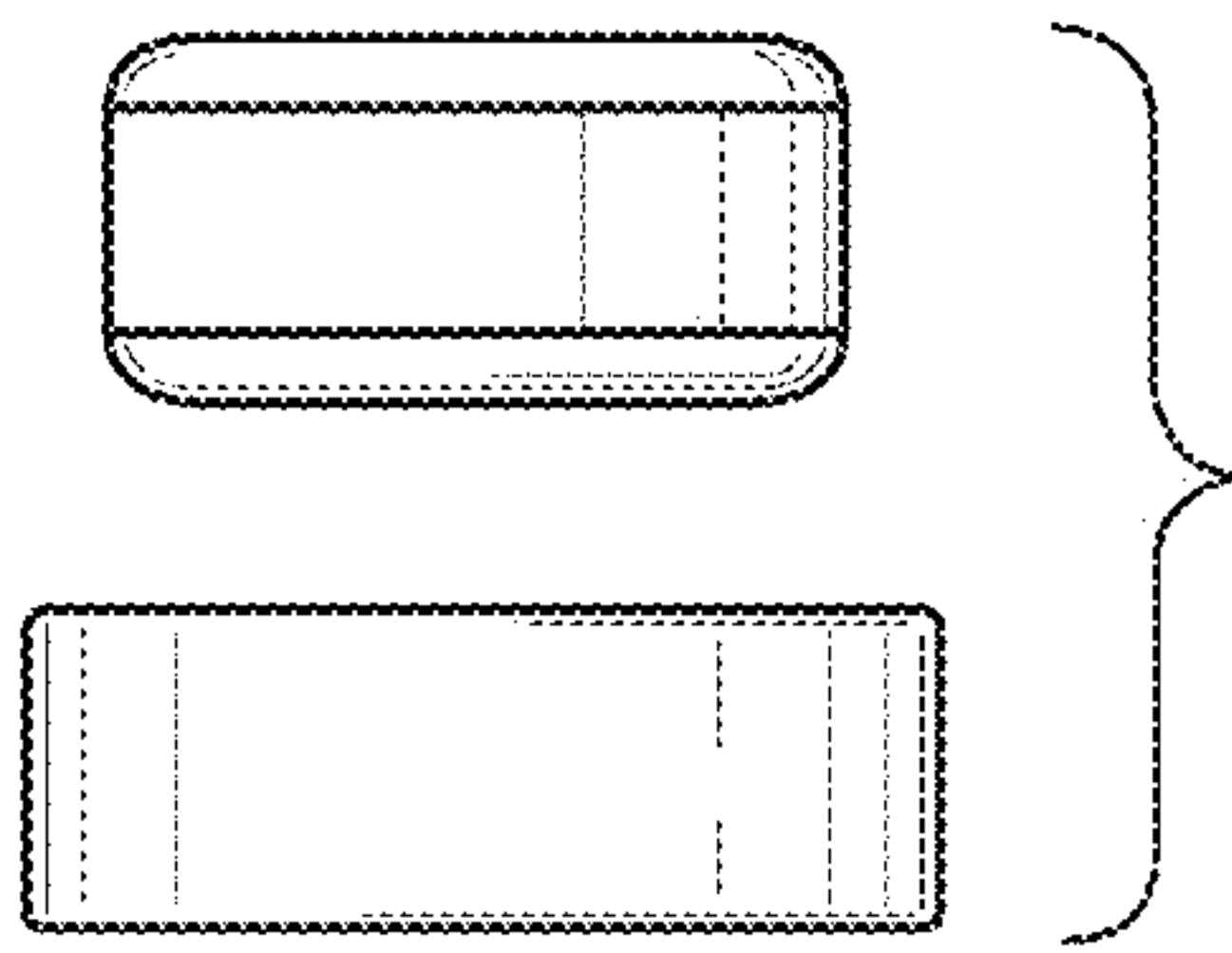


FIG. 12

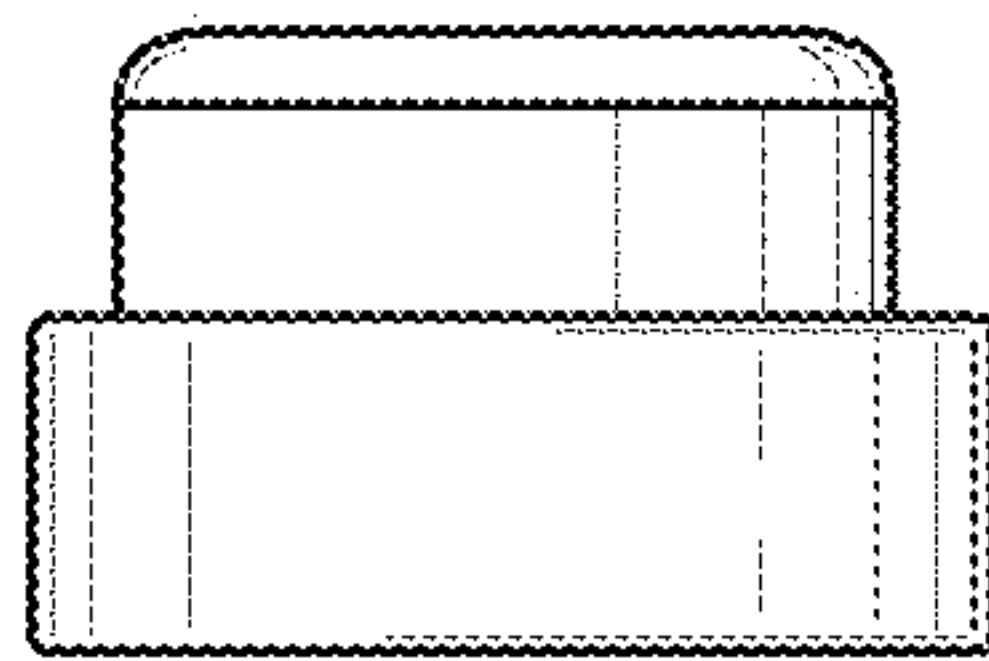


FIG. 13

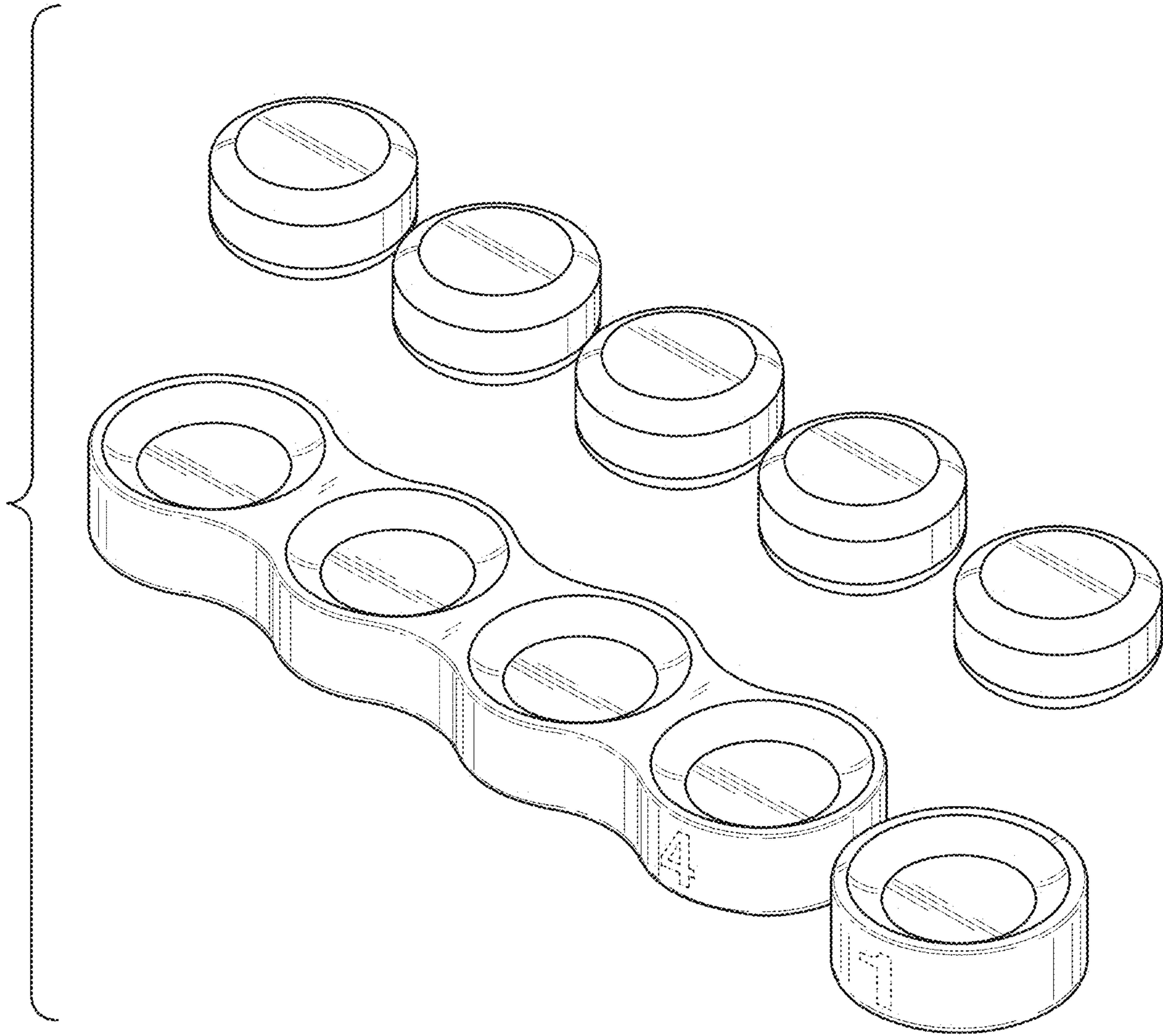


FIG. 14