



US00D977023S

(12) **United States Design Patent** (10) **Patent No.:** **US D977,023 S**  
**Qiu** (45) **Date of Patent:** **\*\* Jan. 31, 2023**

(54) **WIND SPINNER**  
(71) Applicant: **Qunfang Qiu**, Luoding (CN)  
(72) Inventor: **Qunfang Qiu**, Luoding (CN)  
(\*\*) Term: **15 Years**  
(21) Appl. No.: **29/840,549**  
(22) Filed: **May 31, 2022**  
(51) **LOC (14) Cl.** ..... **21-01**  
(52) **U.S. Cl.**  
USPC ..... **D21/458**; D11/131  
(58) **Field of Classification Search**  
USPC ..... D13/115, 118; D21/436, 458, 459;  
D11/117, 125, 131  
CPC ..... A63H 33/22; A63H 33/40; A63H 23/08;  
A41G 1/002; G09F 2019/083; F21V  
21/0824  
See application file for complete search history.

D587,195 S 2/2009 van Wijck  
D626,505 S 11/2010 Sonne  
9,148,996 B2 \* 10/2015 Qiu ..... F21V 21/0824  
D756,262 S 5/2016 Lee  
D816,826 S 5/2018 Johnson  
D908,943 S \* 1/2021 Huang ..... D26/68  
2013/0252507 A1 \* 9/2013 Kessler ..... A63H 33/22  
446/217

\* cited by examiner

*Primary Examiner* — Derrick E Holland  
(74) *Attorney, Agent, or Firm* — Che-Yang Chen; Law  
Office of Michael Chen

(57) **CLAIM**

The ornamental design for a wind spinner, as shown and described.

**DESCRIPTION**

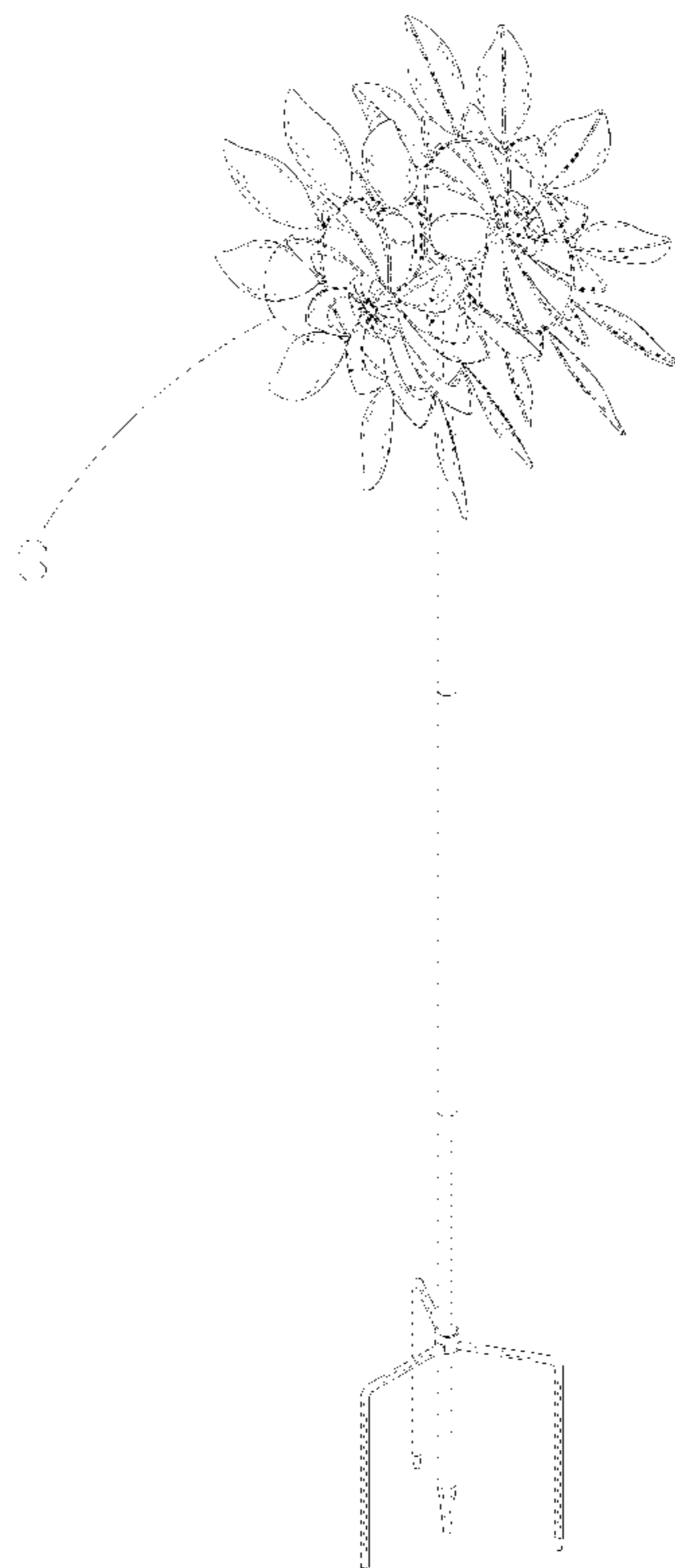
FIG. 1 is a perspective view of a wind spinner showing my new design;  
FIG. 2 is a front elevational view thereof;  
FIG. 3 is a rear elevational view thereof;  
FIG. 4 is a left side elevational view thereof;  
FIG. 5 is a right side elevational view thereof;  
FIG. 6 is a top plan view thereof;  
FIG. 7 is a bottom plan view thereof;  
FIG. 8 is a partial enlarged view of portion 8 in FIG. 1;  
FIG. 9 is a partial enlarged view of portion 9 in FIG. 2; and,  
FIG. 10 is a partial enlarged view of portion 10 in FIG. 5.  
The long-dash short-dash broken lines define the bounds of the claimed design and form no part thereof.

**1 Claim, 10 Drawing Sheets**

(56) **References Cited**

**U.S. PATENT DOCUMENTS**

D253,776 S \* 12/1979 Molenaar ..... D21/458  
4,582,497 A \* 4/1986 Lyons ..... A63H 33/40  
D21/458  
5,092,809 A \* 3/1992 Kessler ..... A63H 33/40  
446/217  
6,422,913 B1 \* 7/2002 Trejo ..... A63H 33/40  
73/170.05  
6,716,082 B1 \* 4/2004 Chen Pan ..... A63H 33/40  
446/236  
D527,675 S \* 9/2006 Weiser ..... D21/458



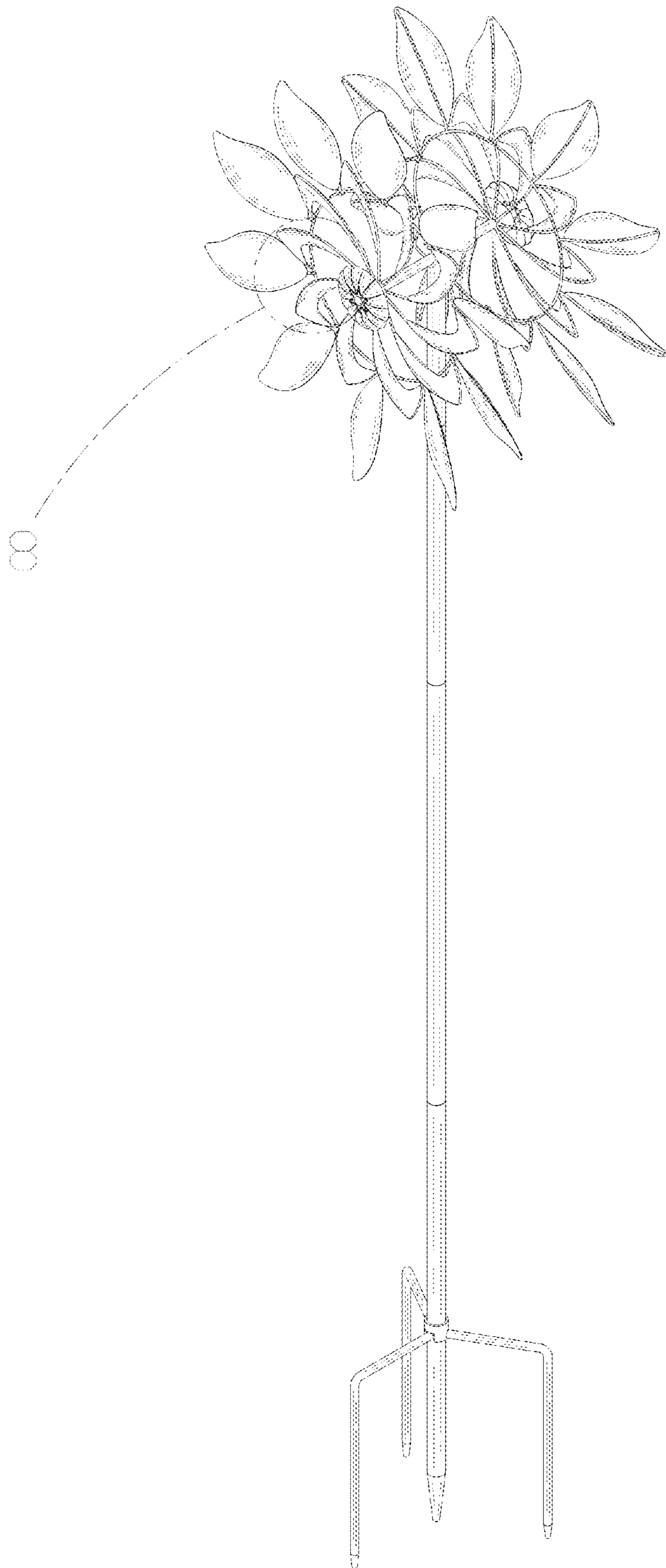


FIG.1

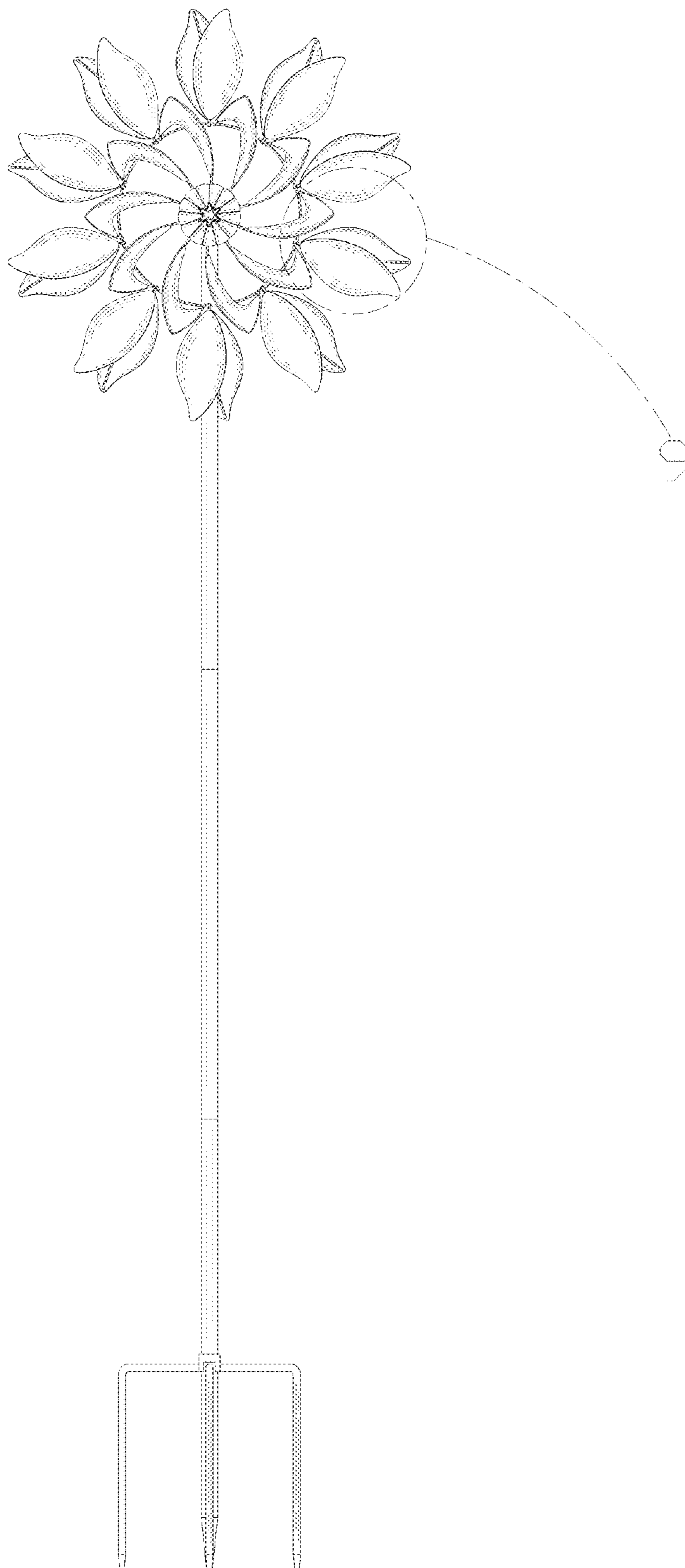


FIG.2

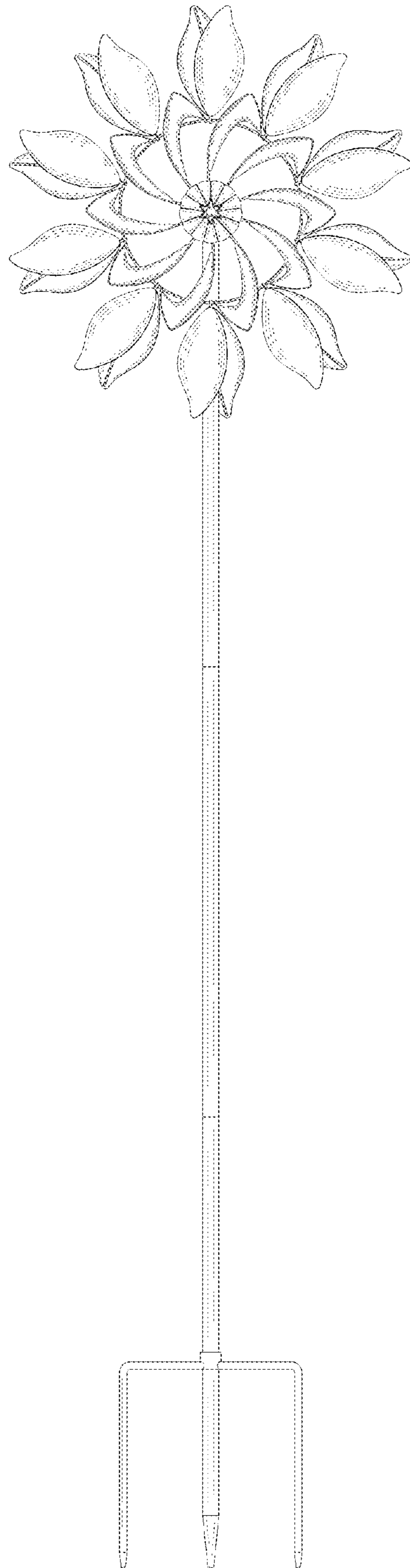


FIG. 3

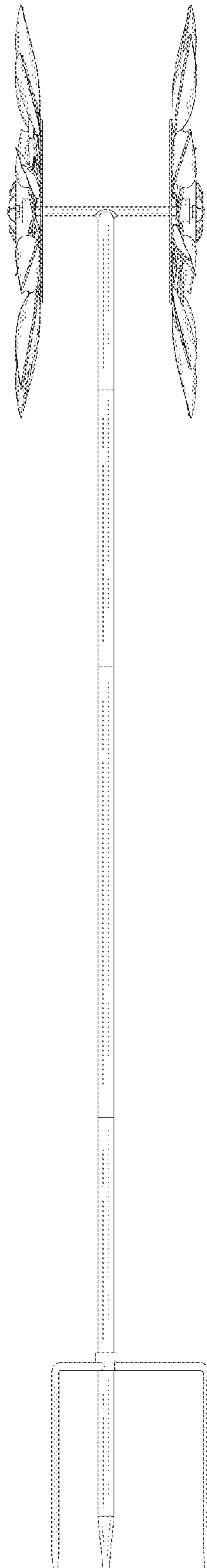


FIG. 4

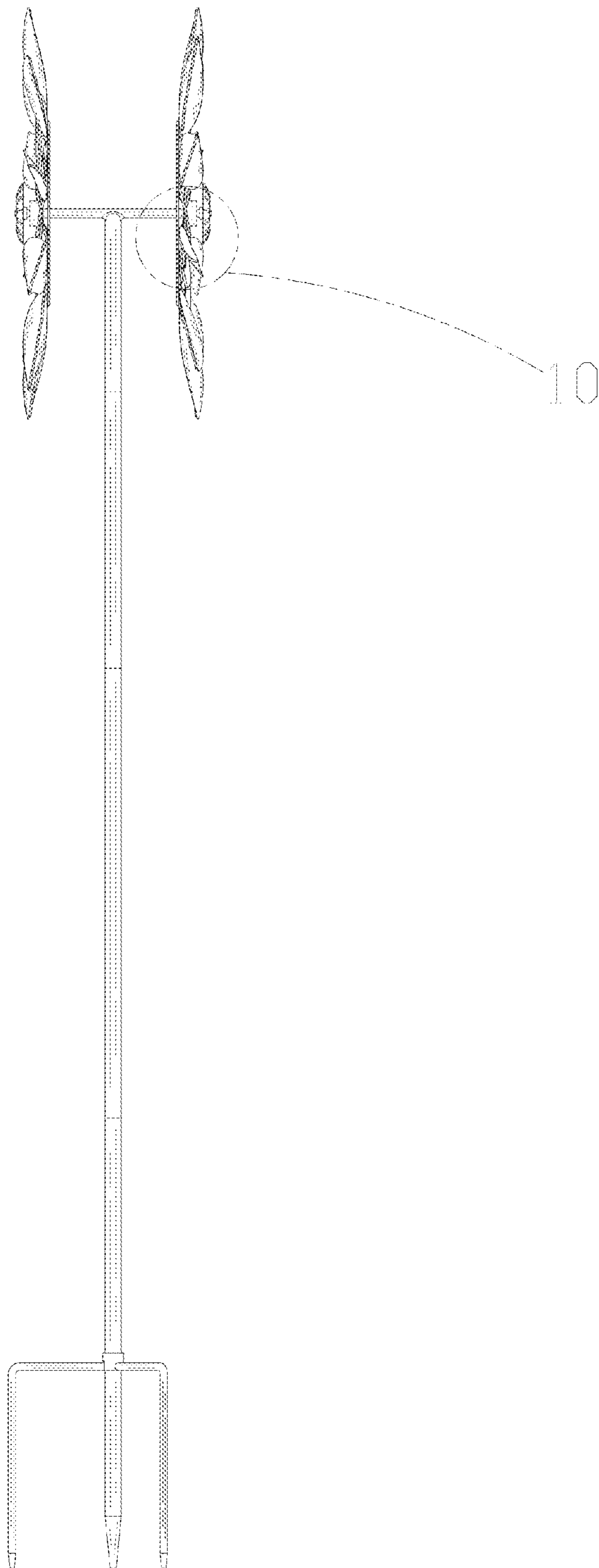


FIG. 5

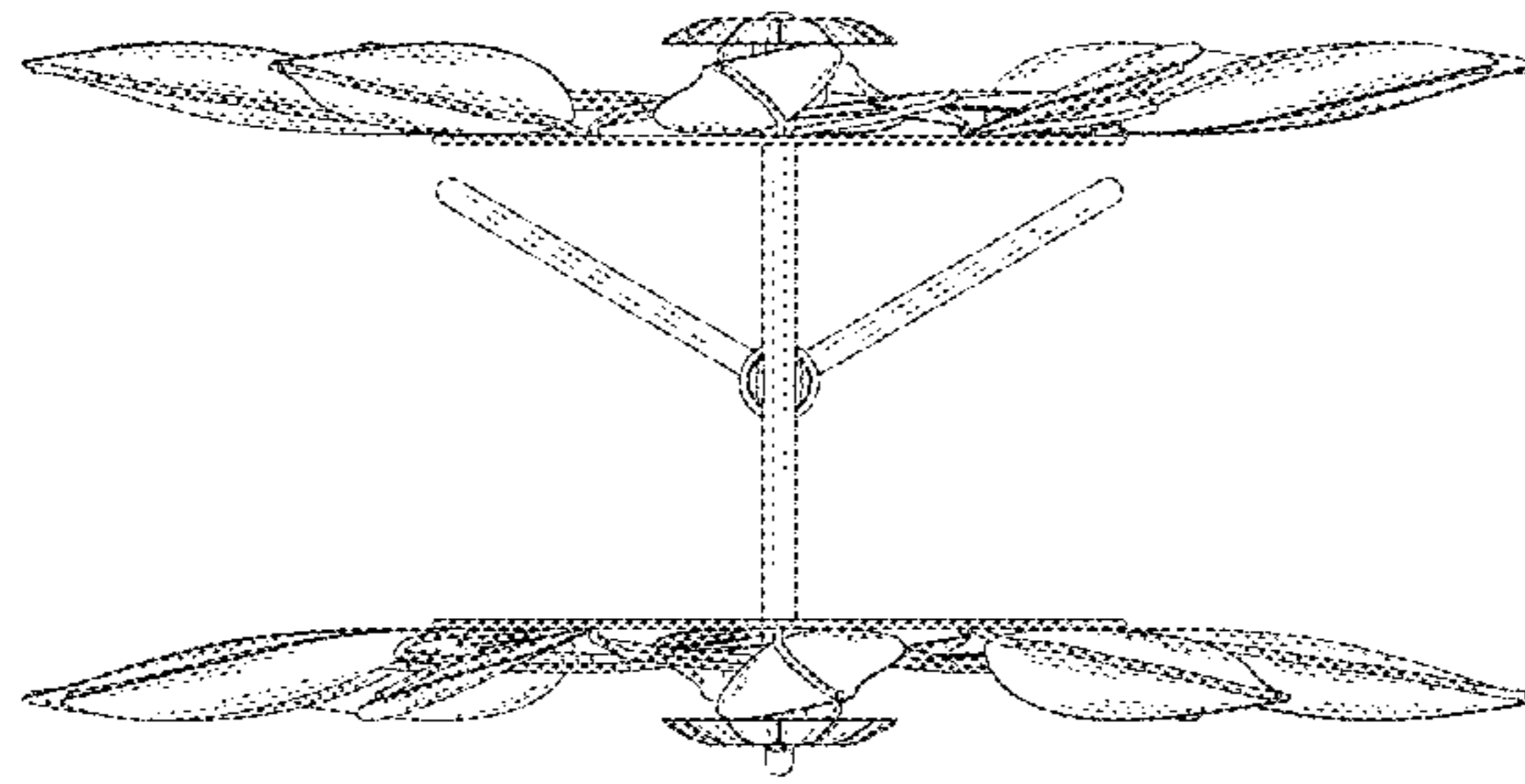


FIG.6



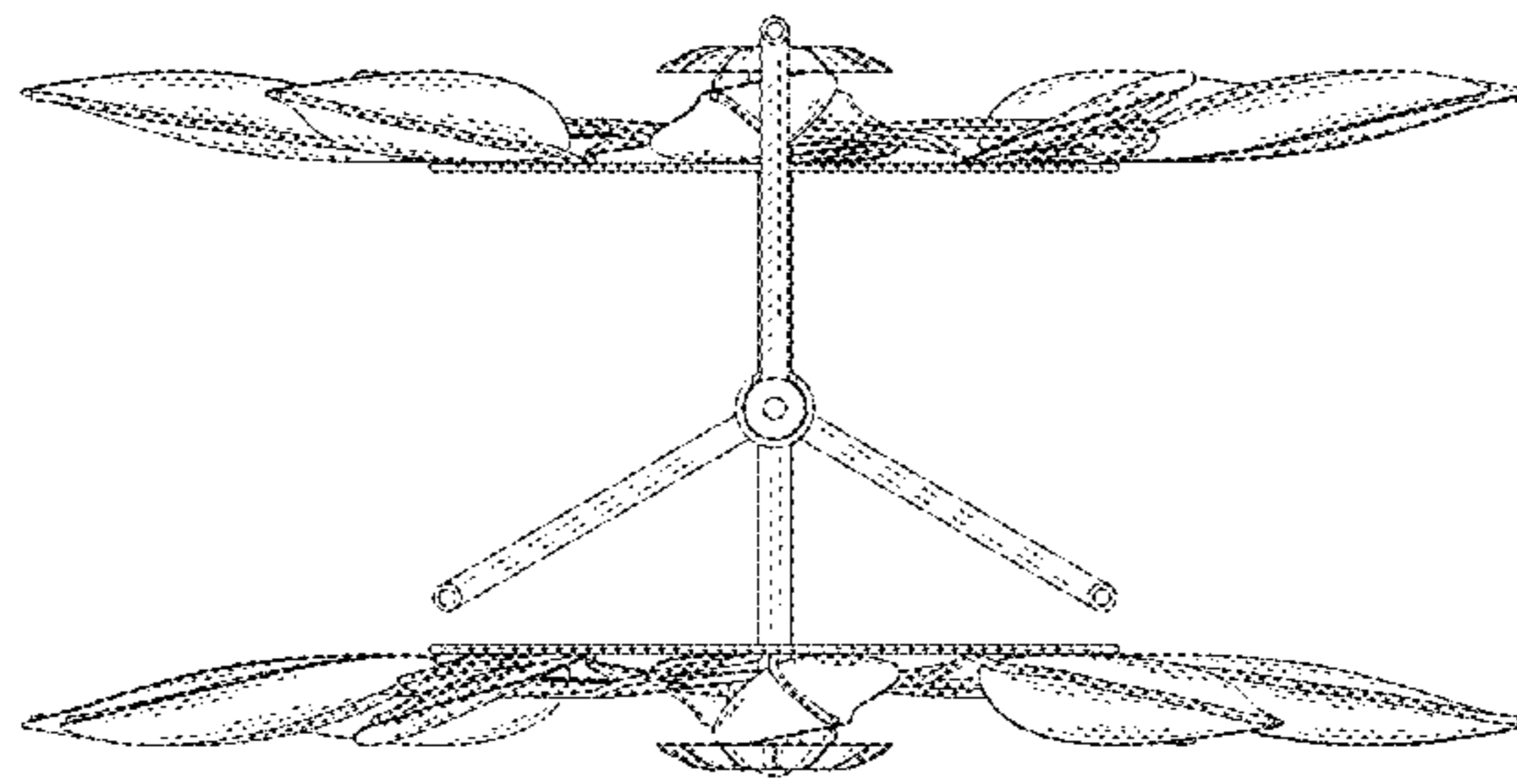


FIG. 7



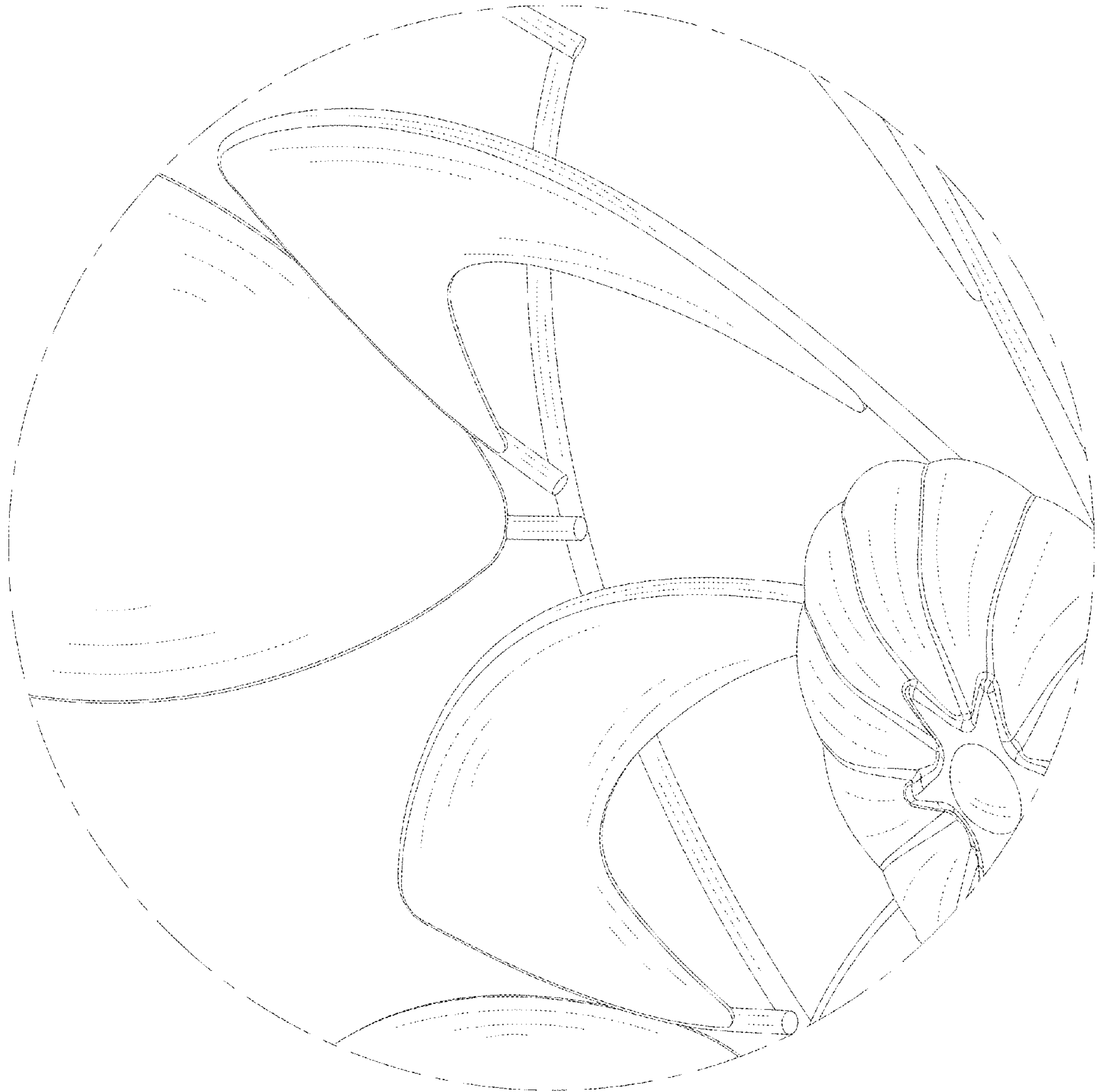


FIG. 8

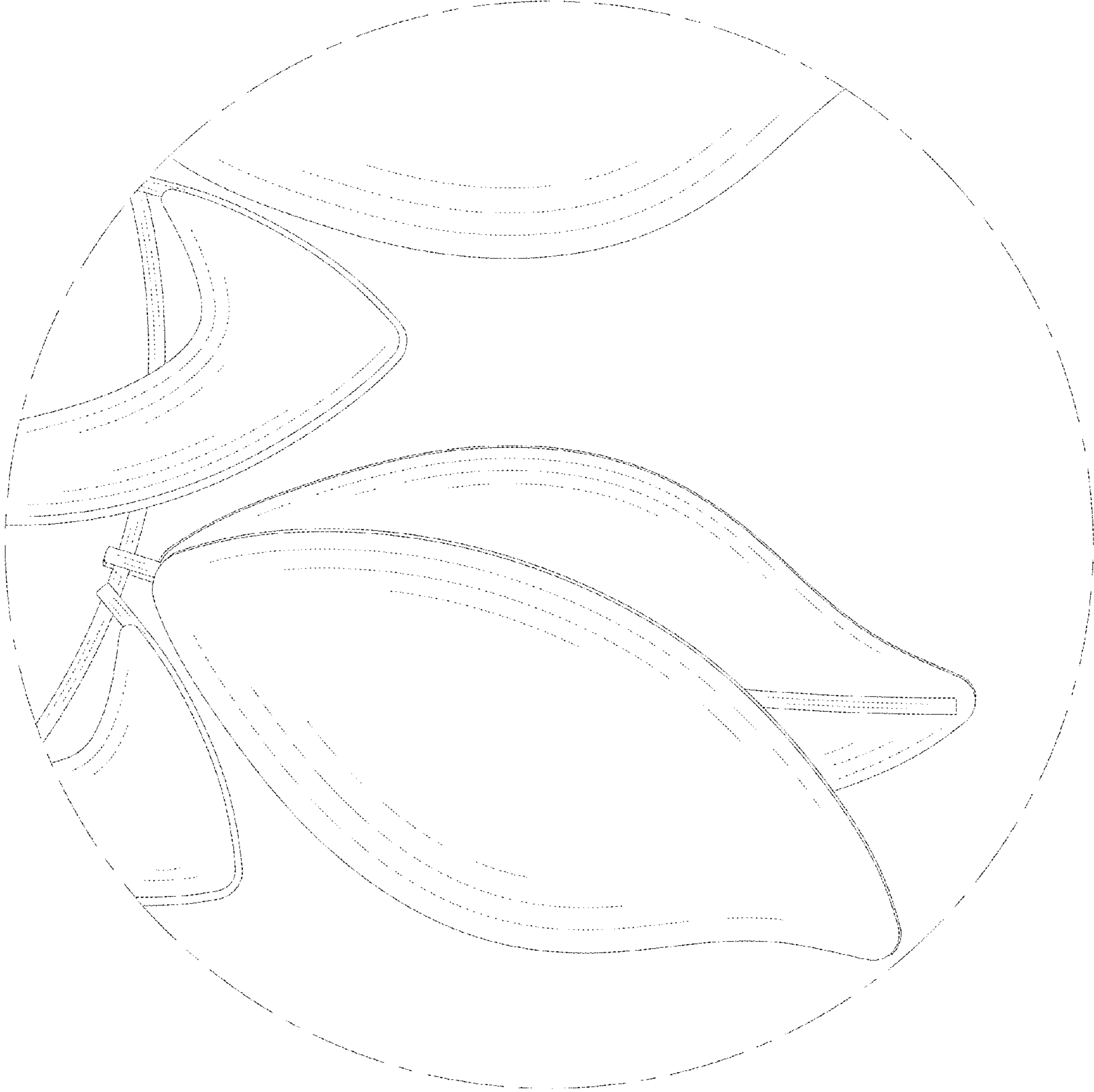


FIG. 9

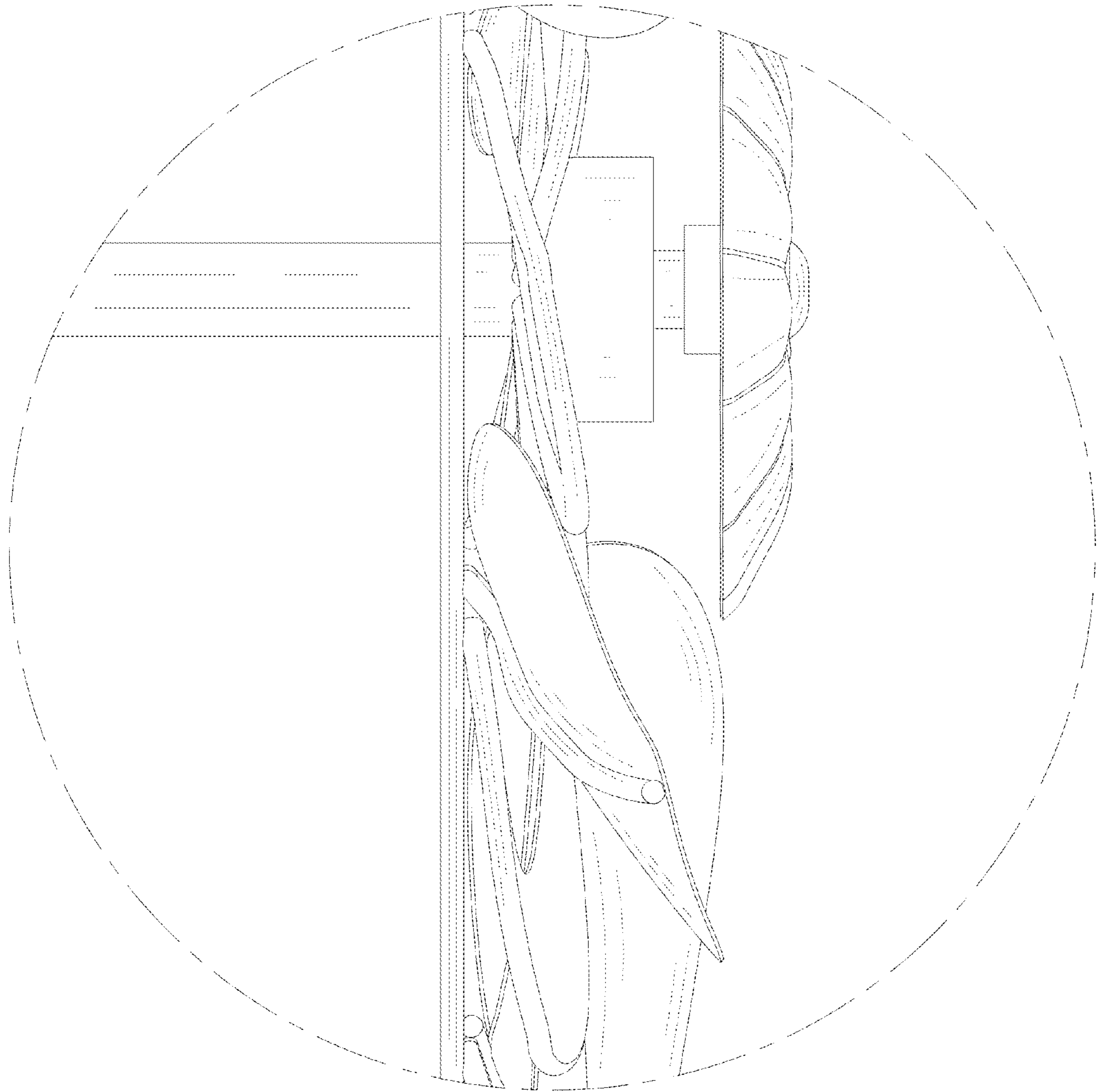


FIG.10