

US00D977021S

(12) **United States Design Patent** (10) **Patent No.:** **US D977,021 S**  
**Xu** (45) **Date of Patent:** **\*\* Jan. 31, 2023**

(54) **SWING HULA HOOP**

(71) Applicant: **Gangzhong Xu, Yongchun (CN)**

(72) Inventor: **Gangzhong Xu, Yongchun (CN)**

(\*\*) Term: **15 Years**

(21) Appl. No.: **29/803,315**

(22) Filed: **Aug. 12, 2021**

(30) **Foreign Application Priority Data**

Jul. 27, 2021 (CN) ..... 202130480549.6

(51) **LOC (14) Cl.** ..... **21-01**

(52) **U.S. Cl.**  
USPC ..... **D21/457**

(58) **Field of Classification Search**  
USPC ..... D21/457, 466, 662, 672, 680, 683, 691,  
D21/694; D24/200, 211, 215; 482/110;  
601/23, 121, 124  
CPC ..... A63B 19/00; A63B 19/02; A63B 21/0004;  
A63B 21/0608; A63B 21/0609; A63B  
21/0618; A63B 21/065; A63B 21/22;  
A63B 21/222; A63B 21/4009; A63B  
21/4025; A63B 23/0205; A63B 23/0211;  
A63B 2213/00; A61H 15/0028

See application file for complete search history.

(56) **References Cited**

U.S. PATENT DOCUMENTS

5,997,449 A \* 12/1999 Lee ..... A63B 19/00  
446/236  
D442,094 S 5/2001 Seo  
D442,234 S 5/2001 Seo  
6,231,420 B1 \* 5/2001 Lin ..... A63B 19/00  
446/241  
D447,192 S 8/2001 Kim

D450,097 S 11/2001 Seo  
D458,651 S 6/2002 Lee  
D847,910 S 5/2019 Yoon  
D937,357 S \* 11/2021 Ju ..... D21/457  
D954,857 S \* 6/2022 Yang ..... D21/662  
2013/0289454 A1 \* 10/2013 Wang ..... A61H 15/00  
601/132  
2014/0342882 A1 \* 11/2014 Huang ..... A63B 21/222  
482/110  
2017/0100620 A1 \* 4/2017 Hsiao ..... A63B 21/0618

FOREIGN PATENT DOCUMENTS

CN 204092930 U \* 1/2015  
CN 208193474 U \* 12/2018  
CN 305897453 \* 7/2020  
CN 112915456 A \* 6/2021 ..... A63B 19/02  
CN 213313130 U \* 6/2021  
CN 306993562 \* 12/2021  
KR 200232242 Y1 \* 9/2001

\* cited by examiner

*Primary Examiner* — Michael A. Pratt  
(74) *Attorney, Agent, or Firm* — Rumit Ranjit Kanakia

(57) **CLAIM**

The ornamental design for a swing hula hoop, as shown and described.

**DESCRIPTION**

FIG. 1 is a perspective view of a swing hula hoop showing my new design;  
FIG. 2 is a front view thereof;  
FIG. 3 is a rear view thereof;  
FIG. 4 is a right-side view thereof;  
FIG. 5 is a left-side view thereof;  
FIG. 6 is a top view thereof; and,  
FIG. 7 is a bottom view thereof.

**1 Claim, 7 Drawing Sheets**

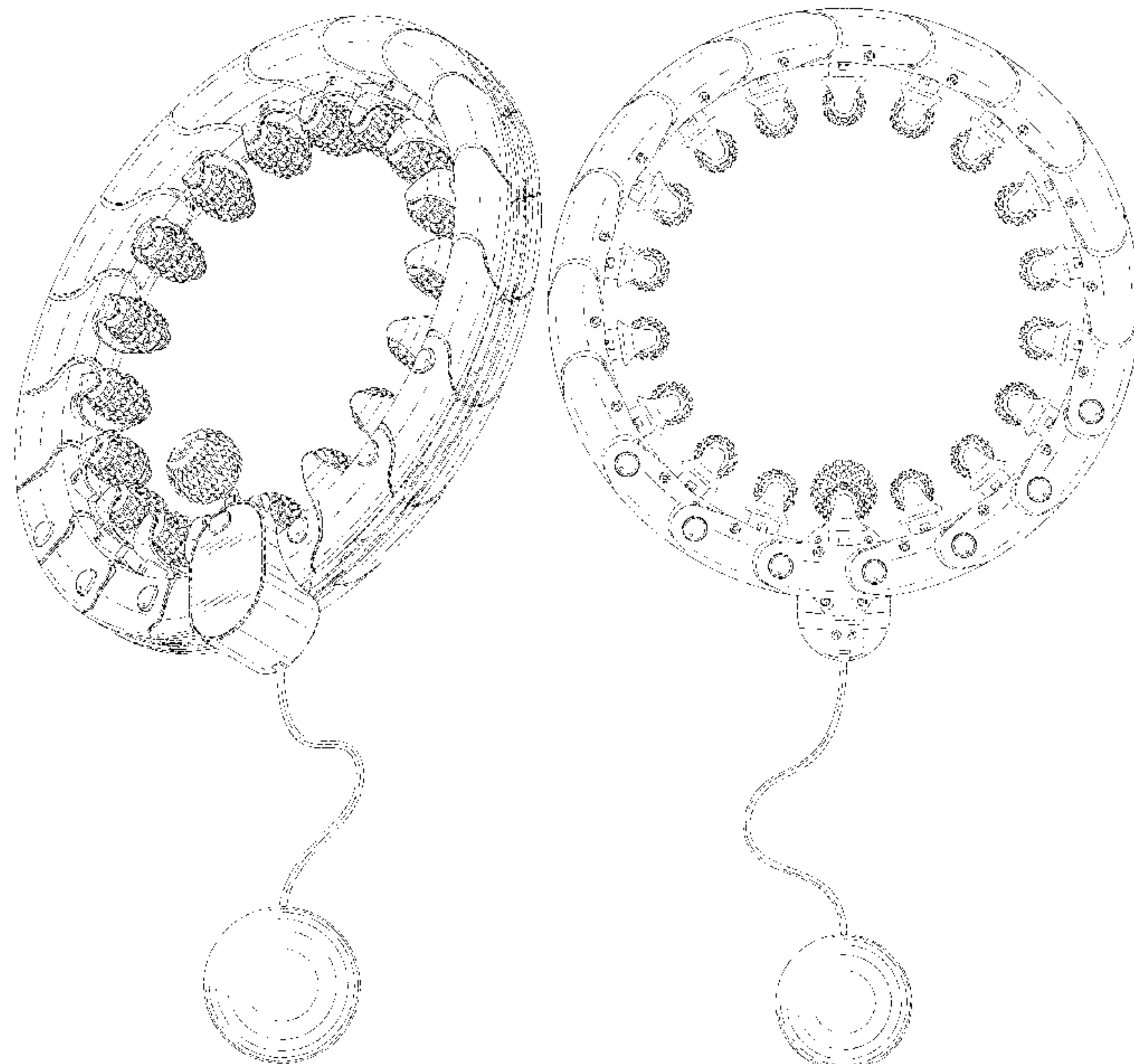




FIG. 1



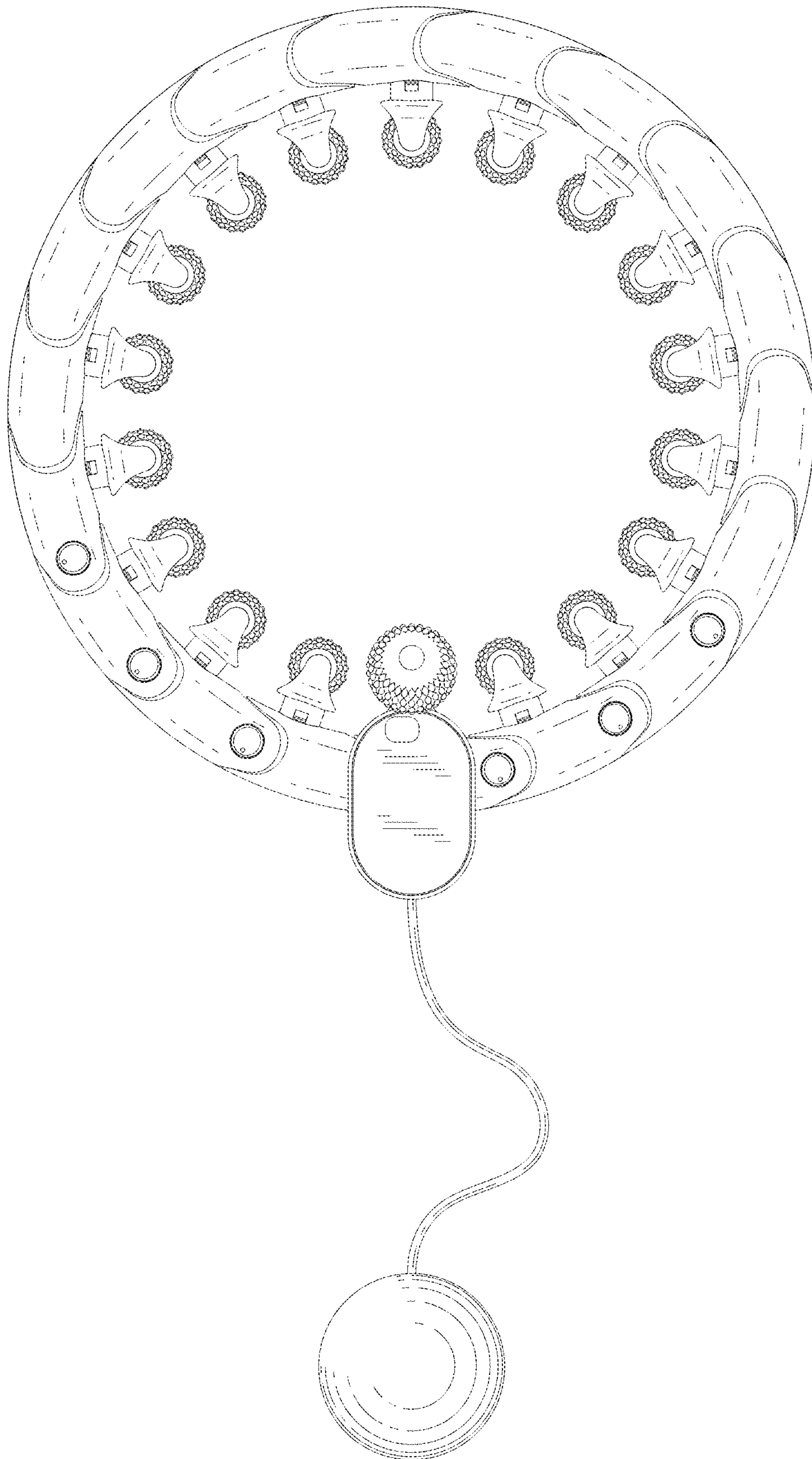


FIG. 2

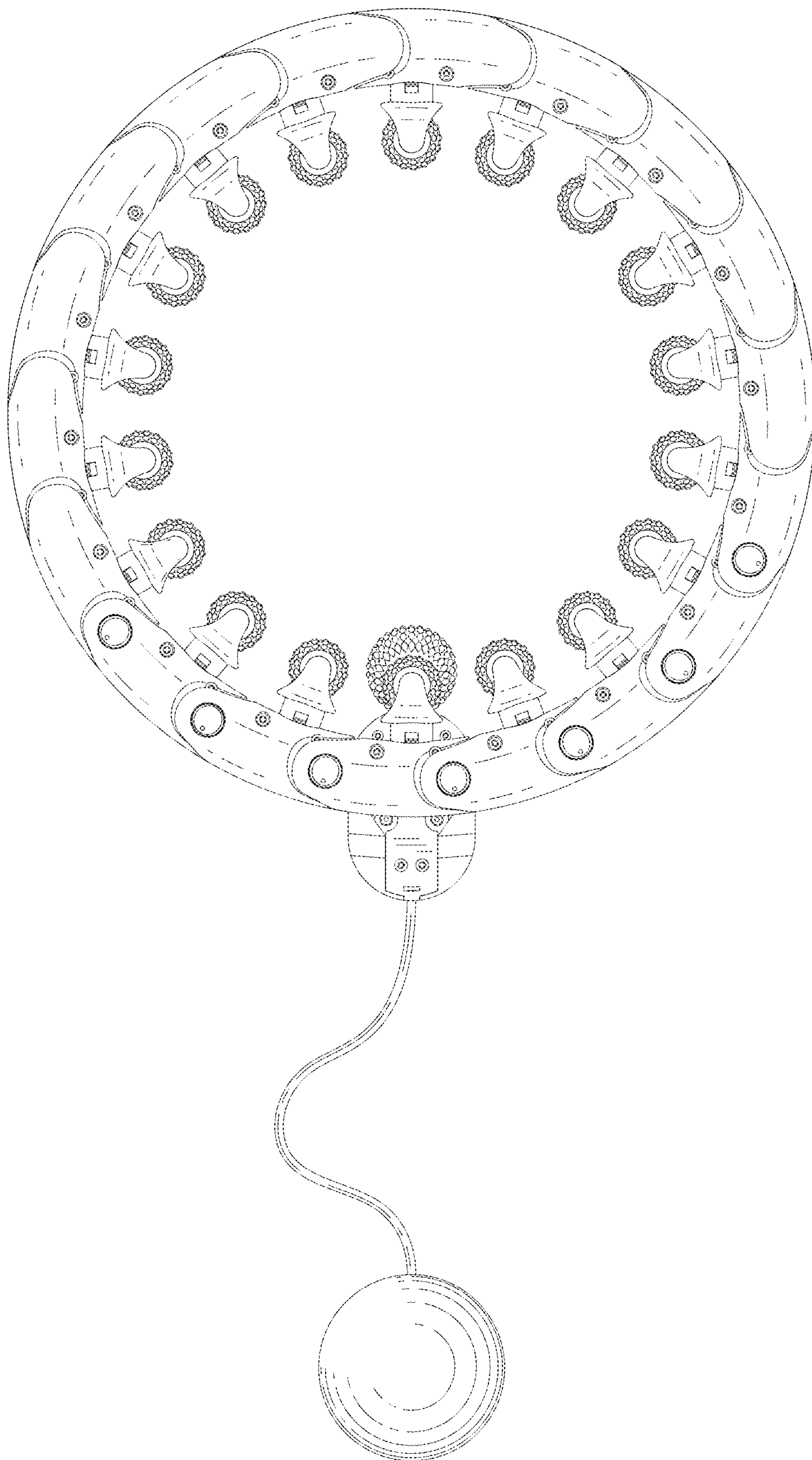


FIG. 3

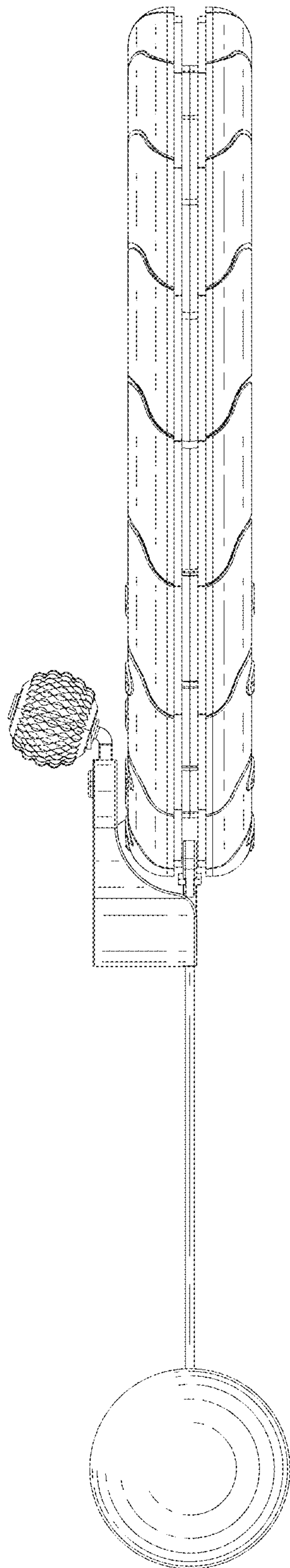


FIG. 4

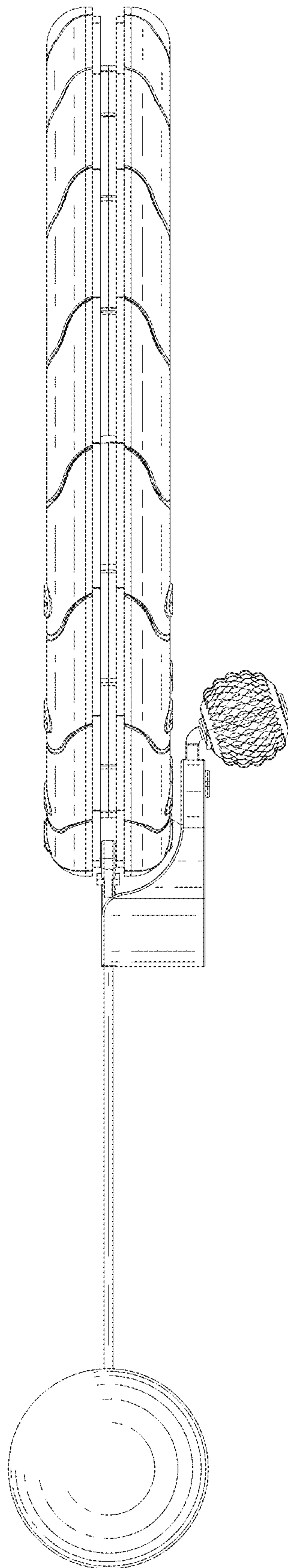


FIG. 5

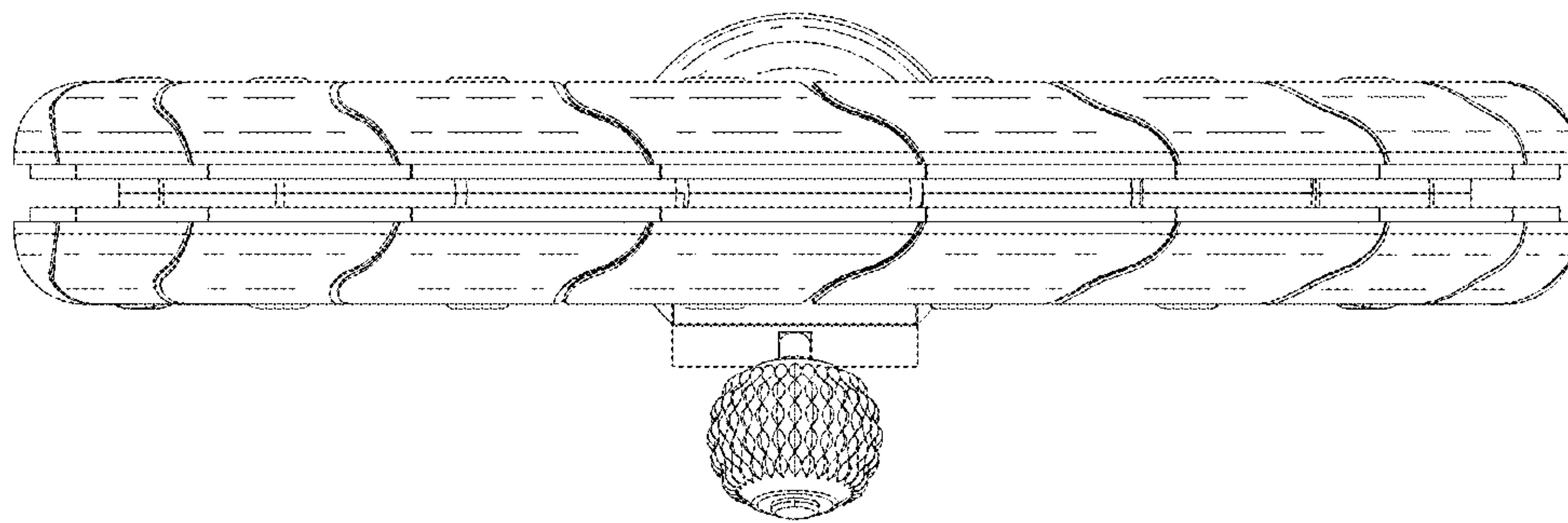


FIG. 6



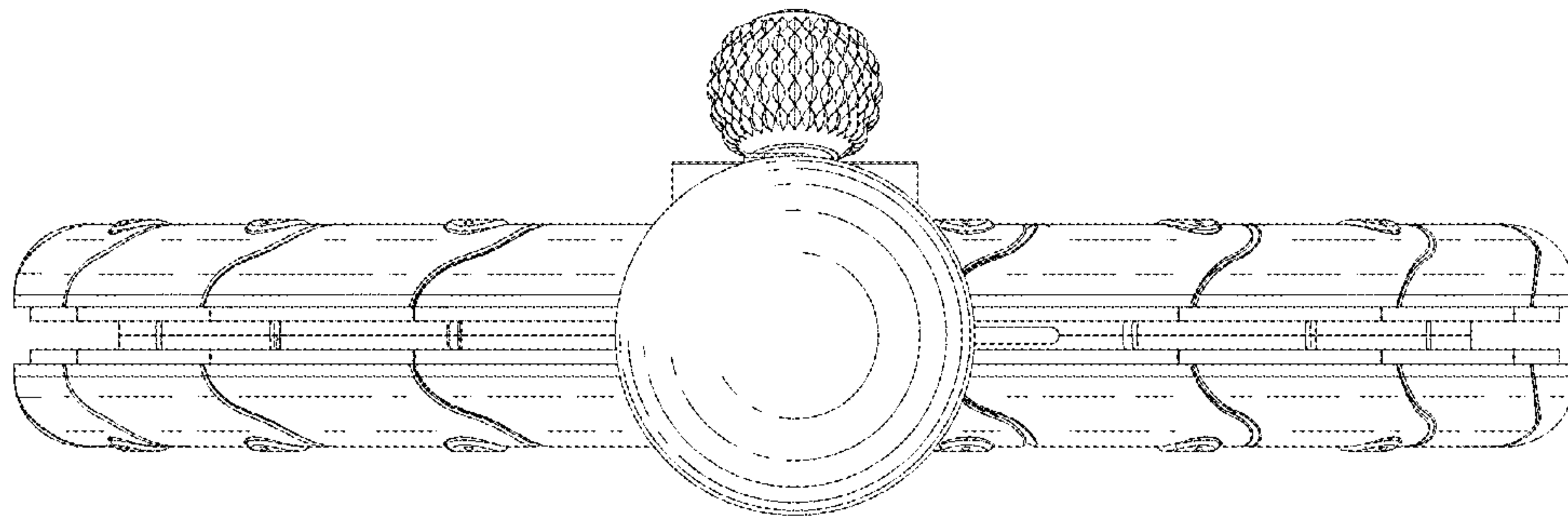


FIG. 7