



US00D977018S

(12) **United States Design Patent** (10) **Patent No.:** **US D977,018 S**
Lu (45) **Date of Patent:** **** Jan. 31, 2023**

(54) **ELECTRIC SCOOTER**
(71) Applicant: **Zhejiang Okai Vehicle Co., Ltd.**,
Lishui (CN)

D877,257 S * 3/2020 Cao D21/423
D877,258 S * 3/2020 Cao D21/423
D897,445 S * 9/2020 Im D21/423
D897,446 S * 9/2020 Lee D21/423
(Continued)

(72) Inventor: **Jiangtao Lu**, Lishui (CN)
(73) Assignee: **ZHEJIANG OKAI VEHICLE CO., LTD.**, Lishui (CN)

FOREIGN PATENT DOCUMENTS

CN 303684781 * 5/2016 B62H 5/001
CN 305510810 * 12/2019
(Continued)

(**) Term: **15 Years**
(21) Appl. No.: **29/736,013**

OTHER PUBLICATIONS

“Razor Power Core E100 Electric Scooter Ride Video,” Jan. 23, 2018, youtube.com, site visited Aug. 23, 2021, URL: https://www.youtube.com/watch?v=OK_qFA8LtOc (Year: 2018).*
(Continued)

(30) **Foreign Application Priority Data**
Dec. 4, 2019 (CN) 201930674515.3
Mar. 6, 2020 (CN) 202030073764.X

(51) **LOC (14) Cl.** **21-01**
(52) **U.S. Cl.**
USPC **D21/423**

Primary Examiner — Eric L Goodman
Assistant Examiner — Sarah L Smith
(74) *Attorney, Agent, or Firm* — Muncy, Geissler, Olds & Lowe, P.C.

(58) **Field of Classification Search**
USPC D21/419, 421, 423, 760, 765, 771;
D12/1, 8, 107, 110, 112–114
CPC . B62K 3/002; B62K 9/00; B62K 9/02; B62K
2202/00; B62K 13/00; B62K 11/00;
B62K 11/02; B62K 11/06; B62K 11/10;
B62K 15/00; B62K 17/00; B60Y
2200/126; H04W 4/40
See application file for complete search history.

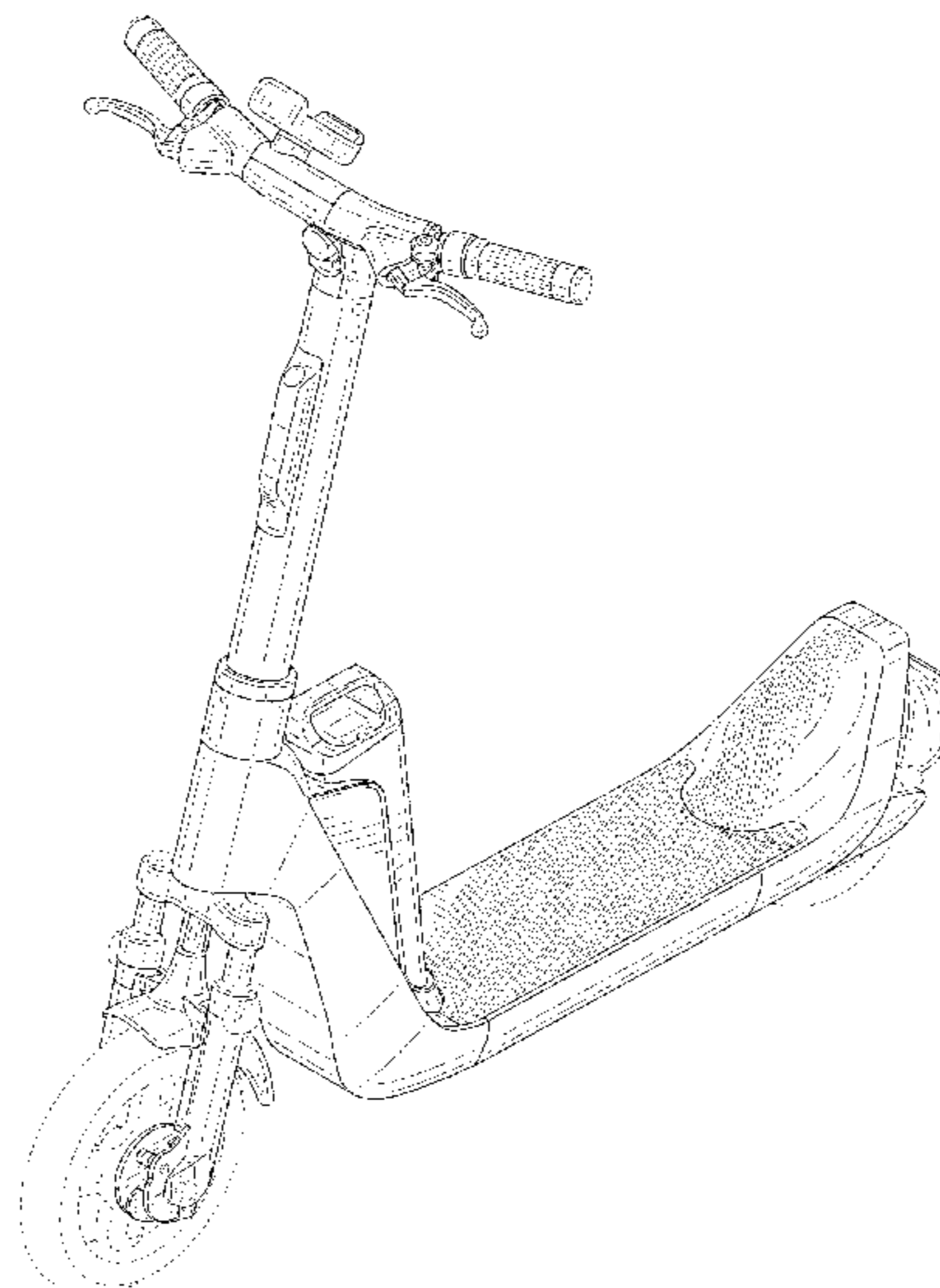
(57) **CLAIM**
The ornamental design for an electric scooter, as shown and described.

DESCRIPTION

FIG. 1 is a front, right, top perspective view of an electric scooter showing my new design;
FIG. 2 is a rear, right, top perspective view thereof;
FIG. 3 is a front elevational view thereof;
FIG. 4 is a rear elevational view thereof;
FIG. 5 is a right side elevational view thereof;
FIG. 6 is a left side elevational view thereof;
FIG. 7 is a top plan view thereof; and,
FIG. 8 is a bottom plan view thereof.
The broken lines illustrate portions of the electric scooter which form no part of the claimed design.

(56) **References Cited**
U.S. PATENT DOCUMENTS
3,179,433 A * 4/1965 Flack B62K 3/002
280/28.11
D456,460 S * 4/2002 Tseng B62K 3/002
D21/423
D750,180 S * 2/2016 Edlauer D21/423
D756,464 S * 5/2016 Edlauer D21/423
D849,153 S * 5/2019 Zhang D21/423

1 Claim, 8 Drawing Sheets



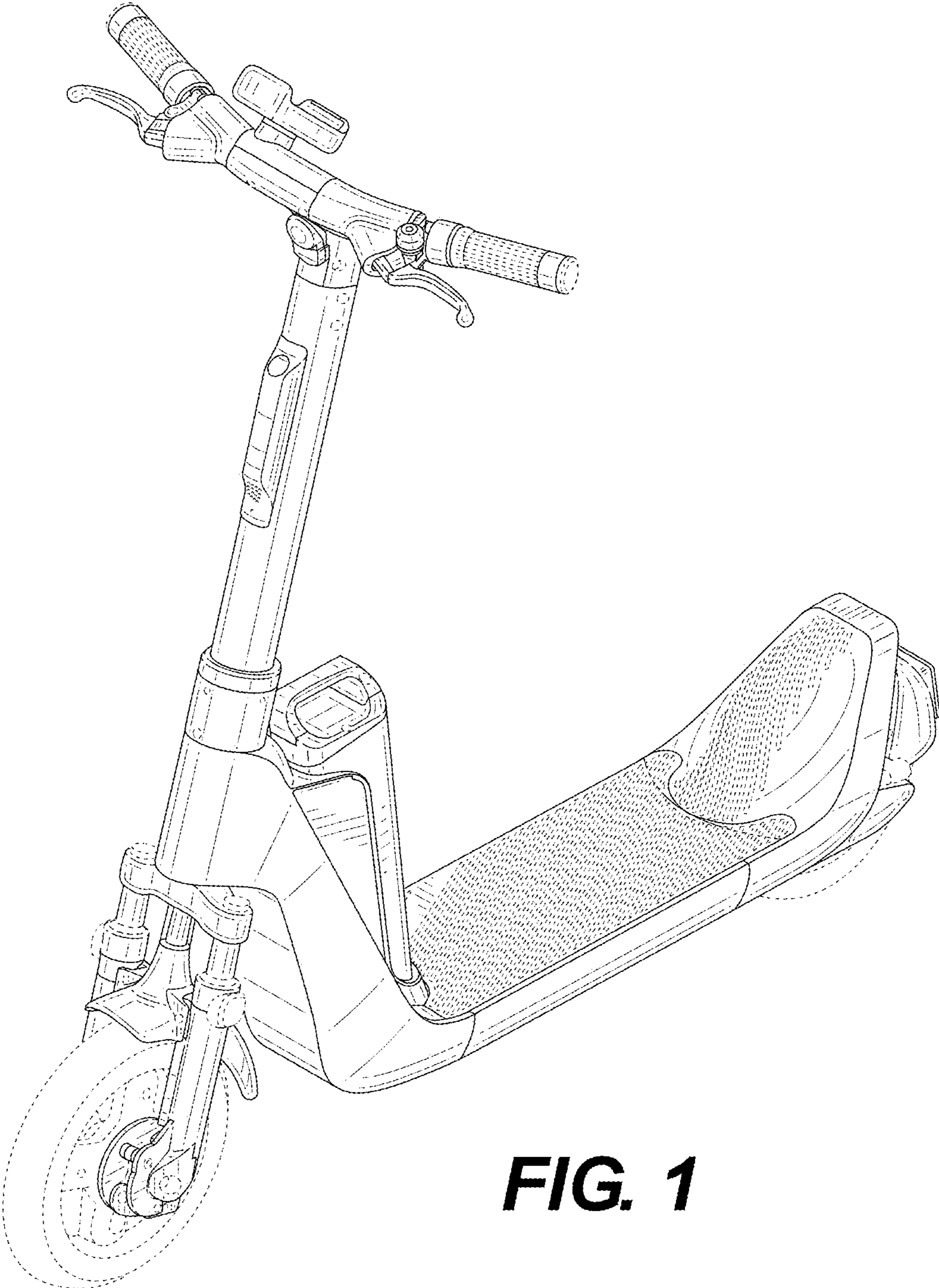


FIG. 1

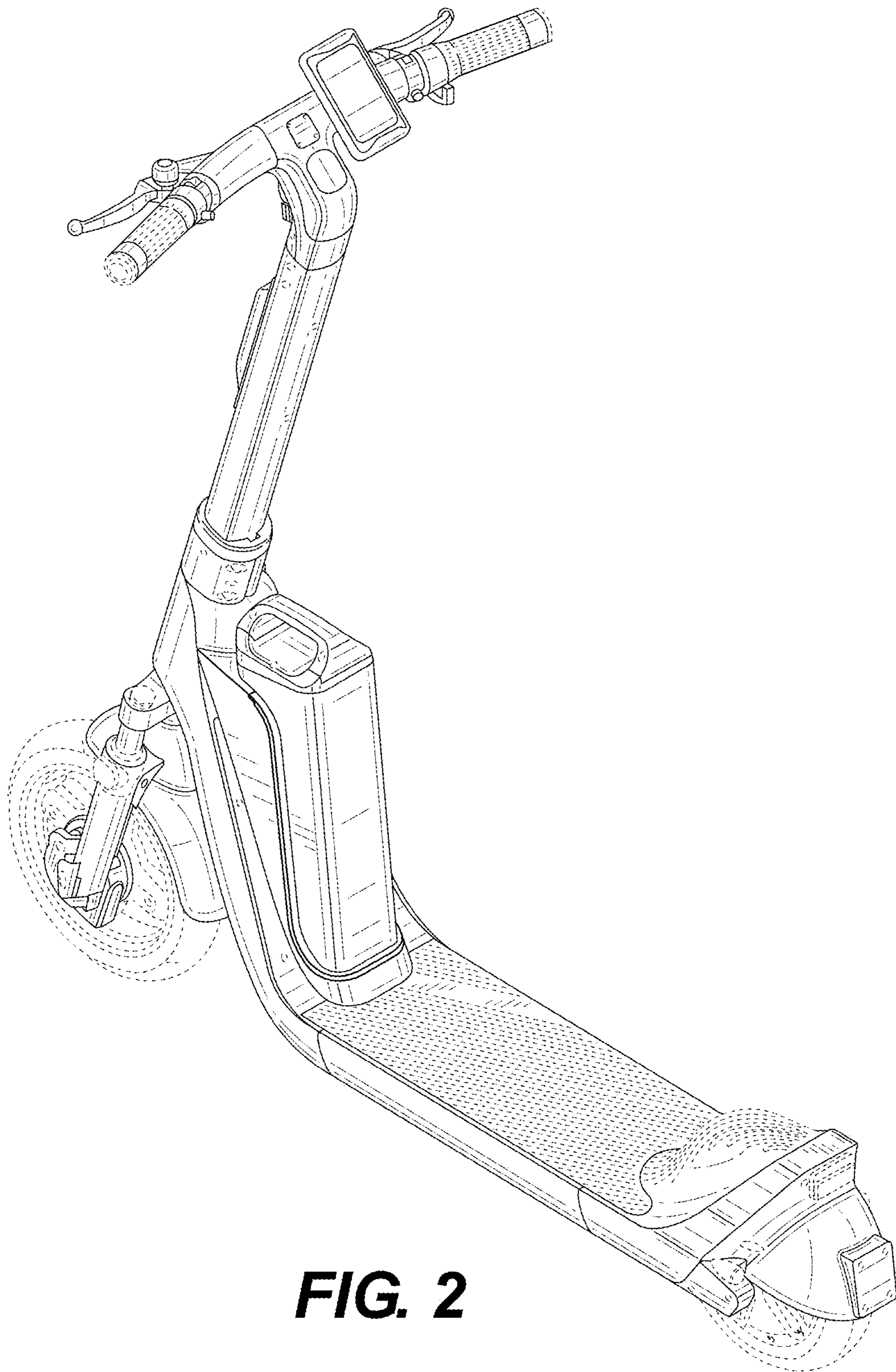


FIG. 2

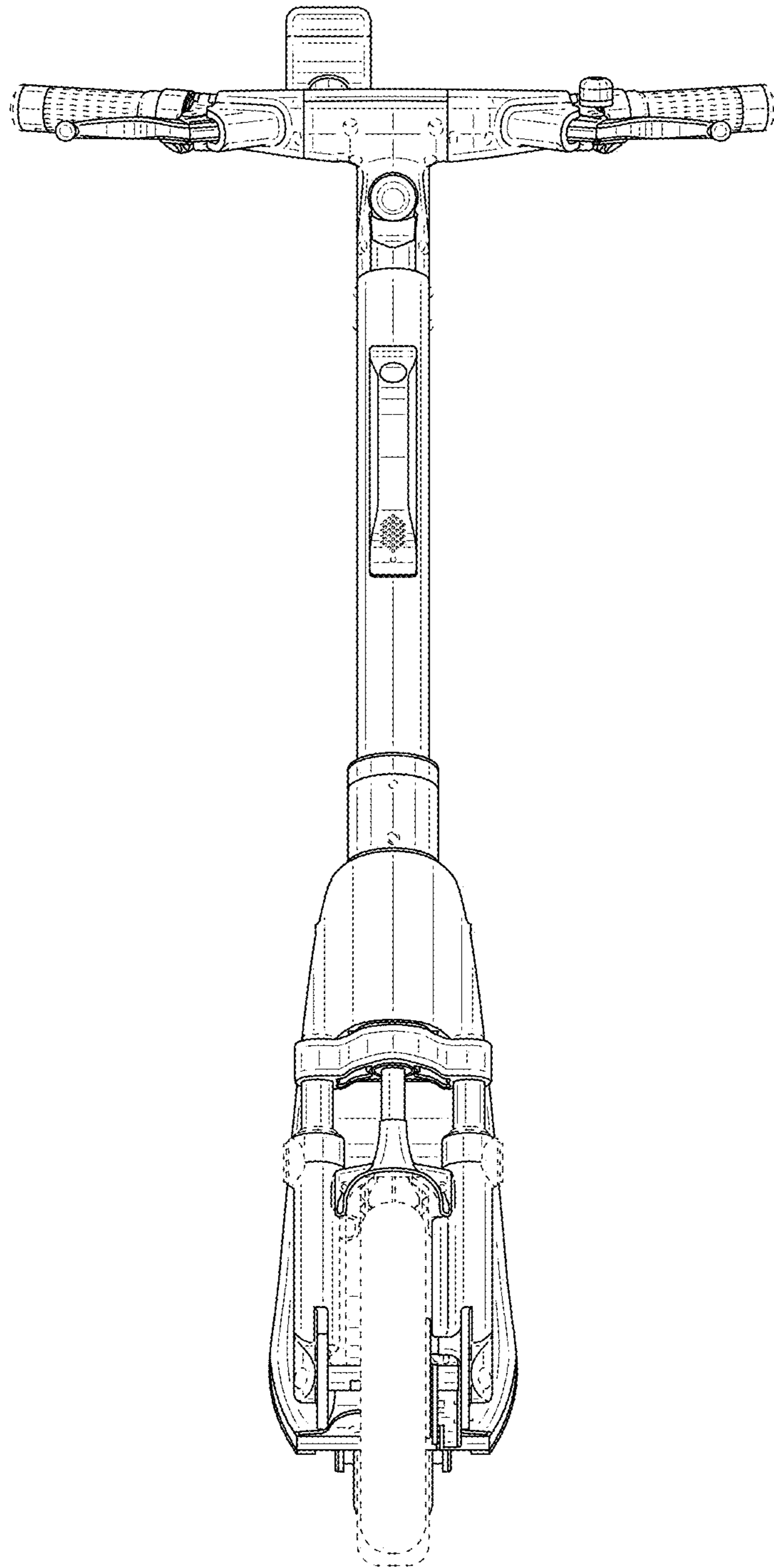


FIG. 3

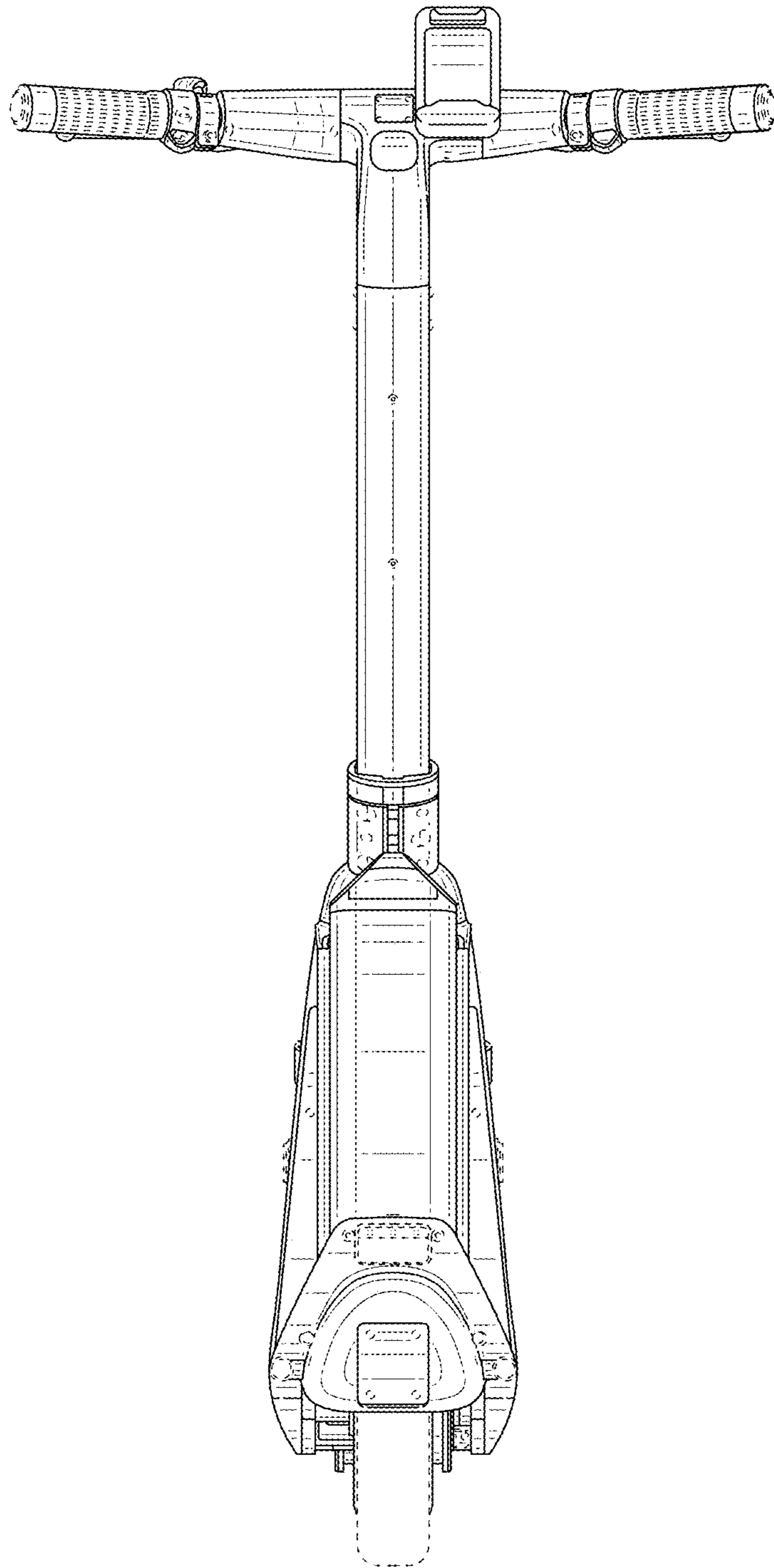


FIG. 4



FIG. 5



FIG. 6

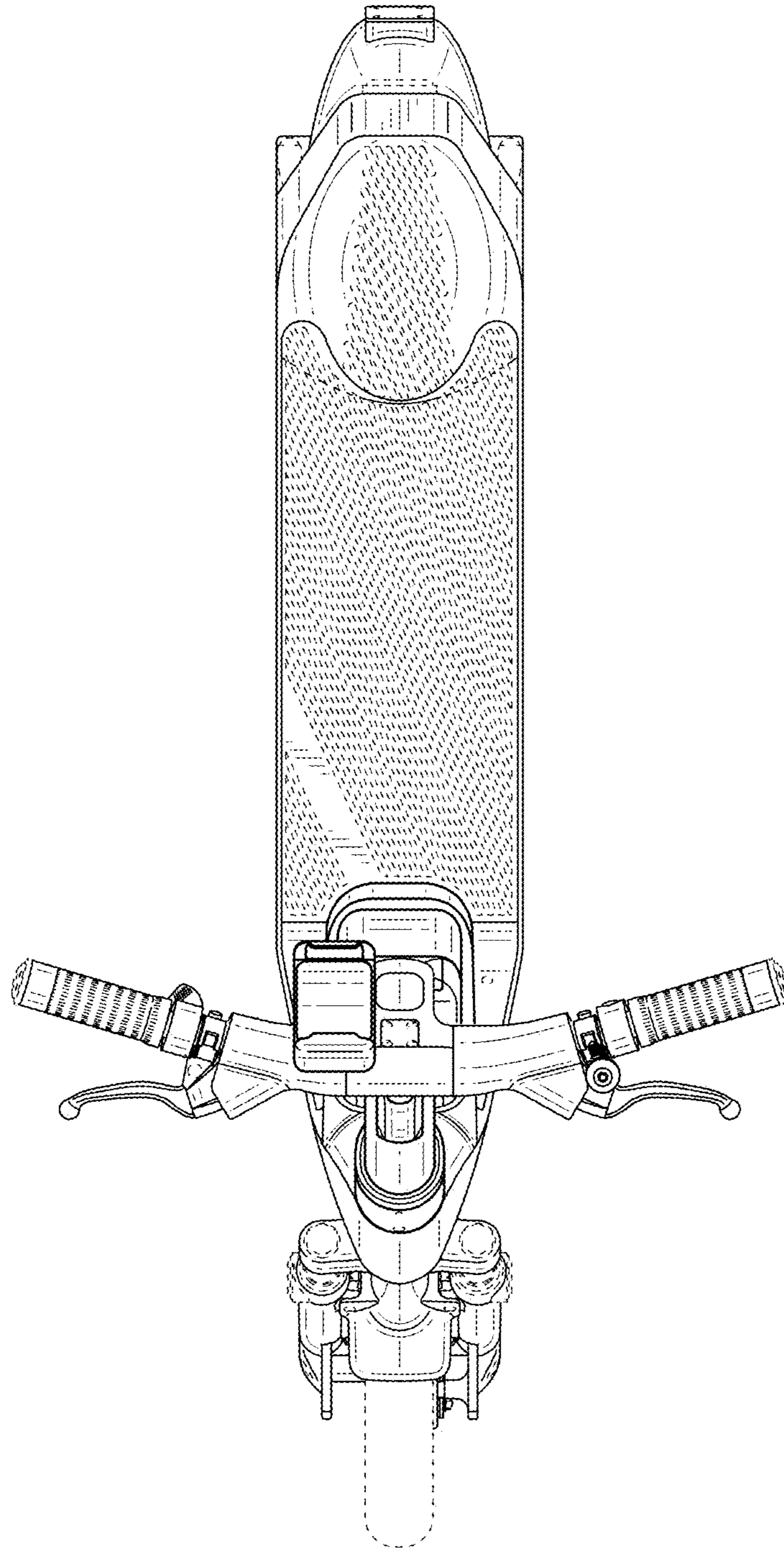


FIG. 7

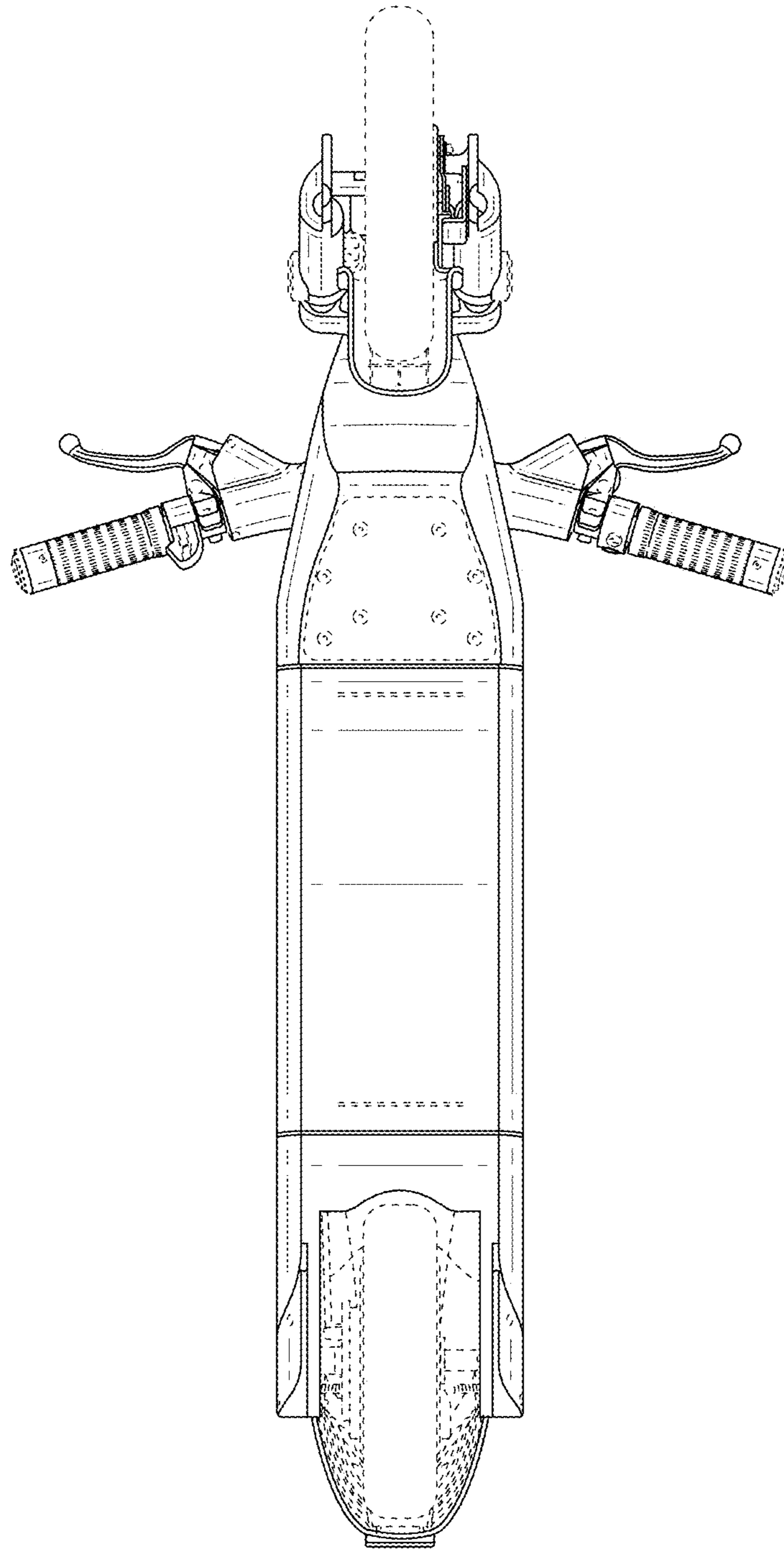


FIG. 8