

US00D977017S

(12) **United States Design Patent**
Zaafarani

(10) **Patent No.:** **US D977,017 S**
(45) **Date of Patent:** **** Jan. 31, 2023**

(54) **SCOOTER**

(71) Applicant: **DGL Group**, Edison, NJ (US)

(72) Inventor: **Ezra Zaafarani**, Brooklyn, NY (US)

(73) Assignee: **DGL GROUP LTD.**, Edison, NJ (US)

(**) Term: **15 Years**

(21) Appl. No.: **29/724,225**

(22) Filed: **Feb. 13, 2020**

(51) **LOC (14) Cl.** **21-01**

(52) **U.S. Cl.**
USPC **D21/423**

(58) **Field of Classification Search**
USPC D21/419, 421, 423, 432, 435, 760, 763,
D21/771; D12/1, 110
CPC B62K 3/002; B62K 9/00; B62K 2202/00;
B62K 15/00; B62K 2015/001; B62K
2015/003; B60Y 2200/126
See application file for complete search history.

(56) **References Cited**

U.S. PATENT DOCUMENTS

D858,646 S * 9/2019 Yang D21/423
D873,349 S * 1/2020 Huang D21/423
D905,794 S * 12/2020 Liu D21/423

D910,121 S * 2/2021 Liu D21/423
D916,985 S * 4/2021 Wu D21/423
D917,626 S * 4/2021 Ye D21/423
D923,104 S * 6/2021 Zheng D21/423
D923,715 S * 6/2021 Wang D21/423
D926,890 S * 8/2021 Lu D21/423
2019/0263468 A1* 8/2019 Huang B60K 17/26
2020/0283086 A1* 9/2020 Ulmen B62L 1/00

* cited by examiner

Primary Examiner — Cynthia M. Chin

(74) *Attorney, Agent, or Firm* — Myers Wolin, LLC

(57) **CLAIM**

The ornamental design for a scooter, as shown and described.

DESCRIPTION

FIG. 1 is a back left perspective view of a scooter showing my new design;

FIG. 2 is a front right perspective view thereof;

FIG. 3 is a front elevation view thereof;

FIG. 4 is a rear elevation view thereof;

FIG. 5 is a left side elevation view thereof;

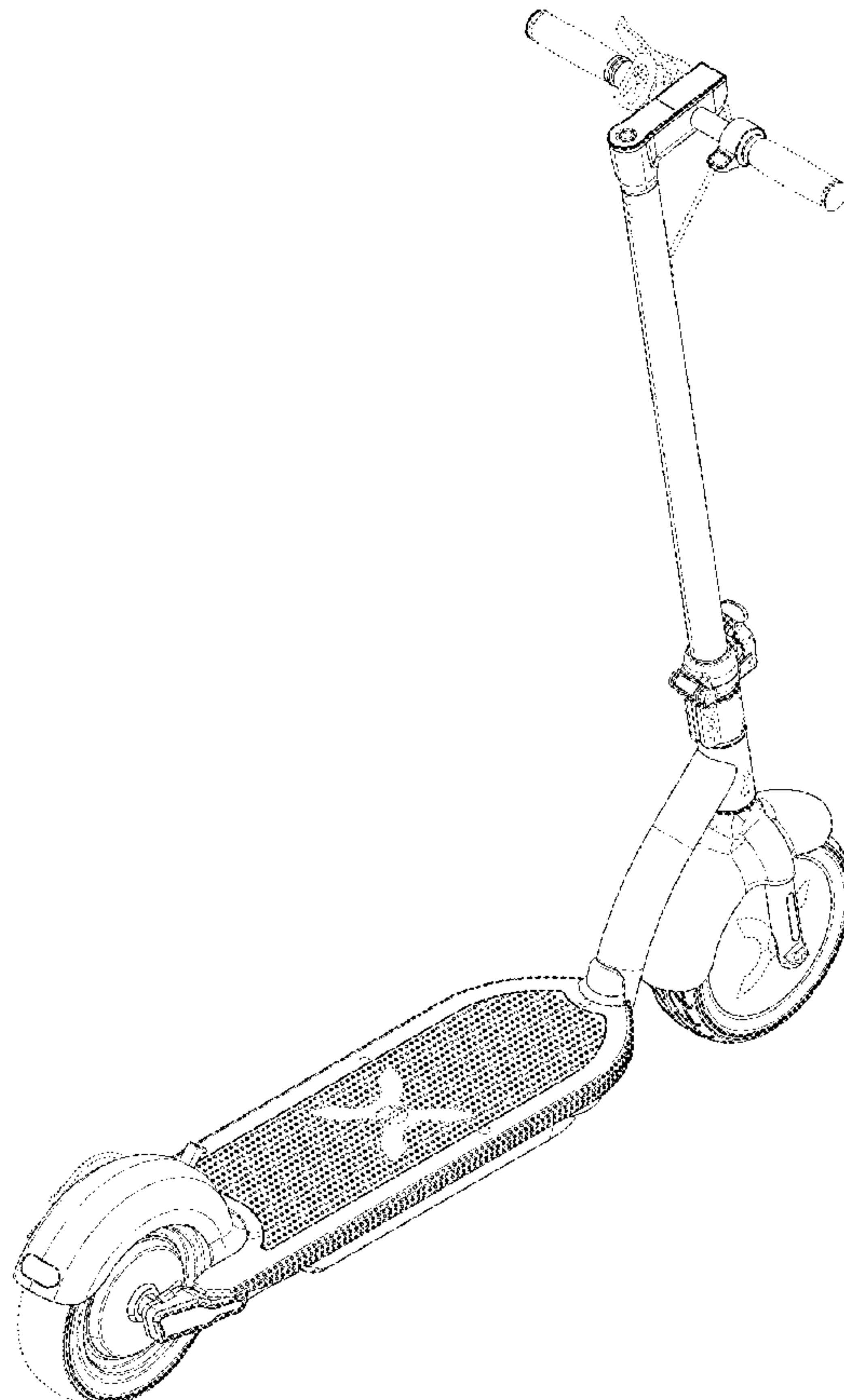
FIG. 6 is a right side elevation view thereof;

FIG. 7 is a top plan view thereof; and,

FIG. 8 is a bottom plan view thereof.

The broken lines shown are included for the purpose of illustrating portions of the article which form no part of the claimed design.

1 Claim, 6 Drawing Sheets



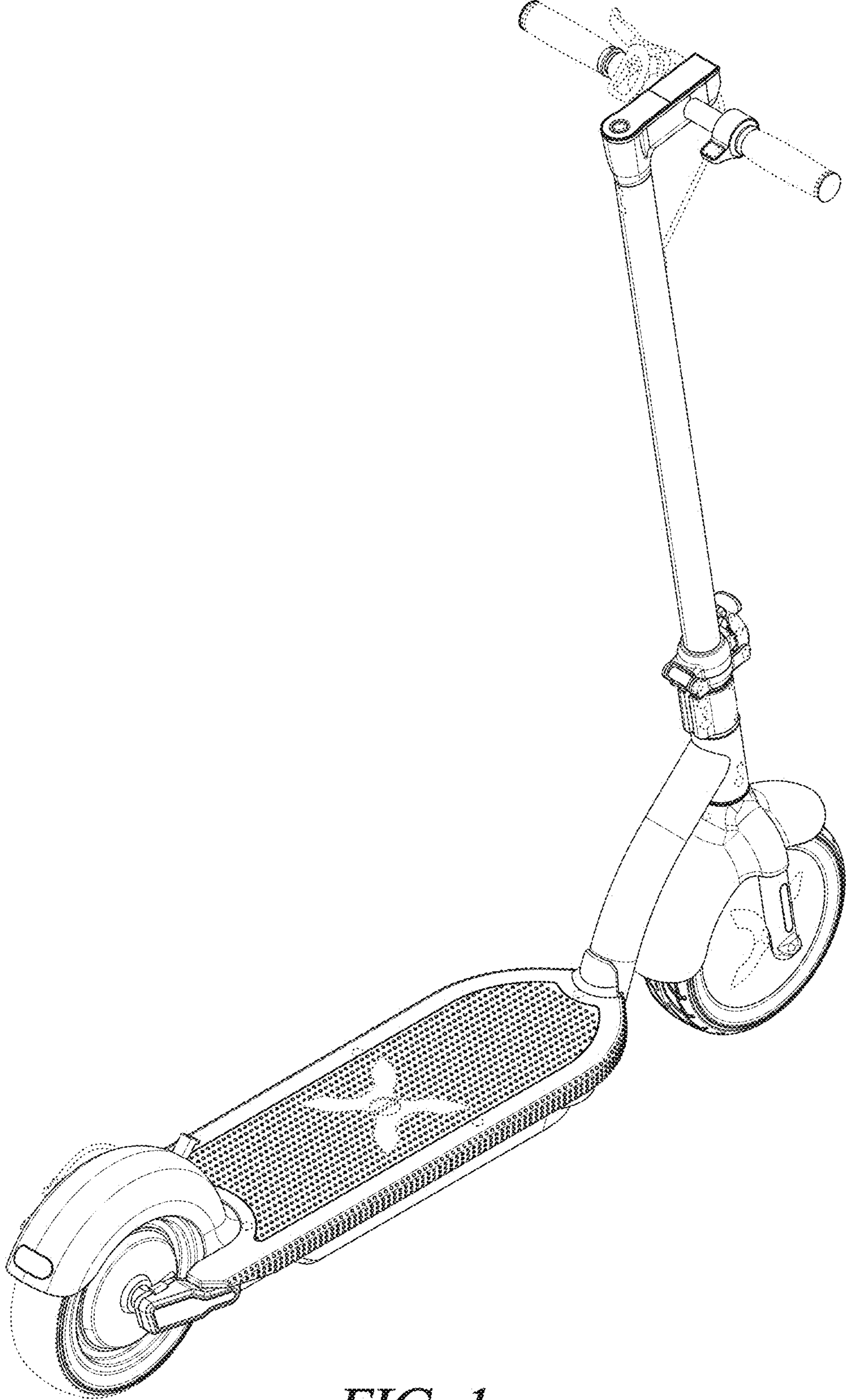


FIG. 1

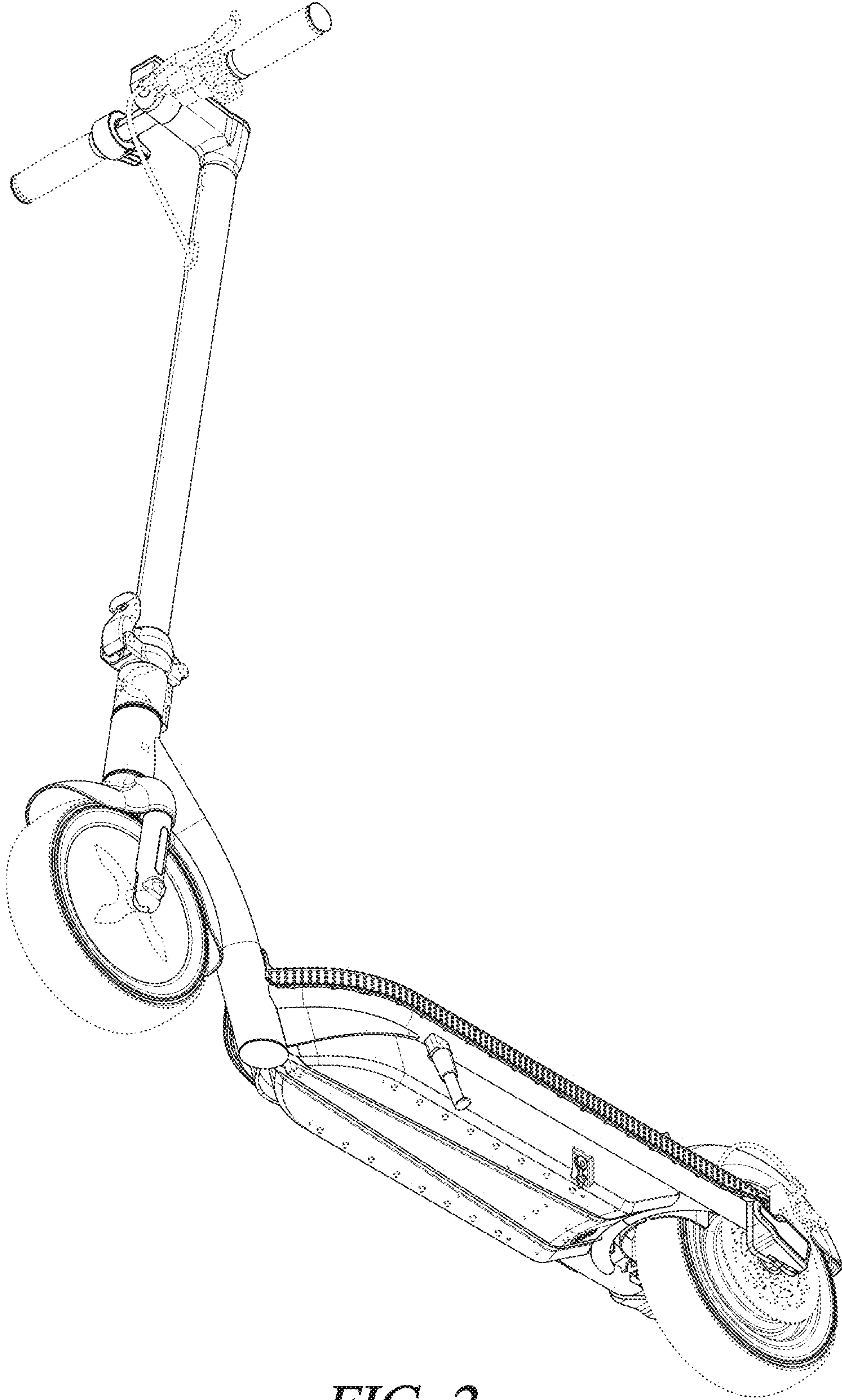


FIG. 2

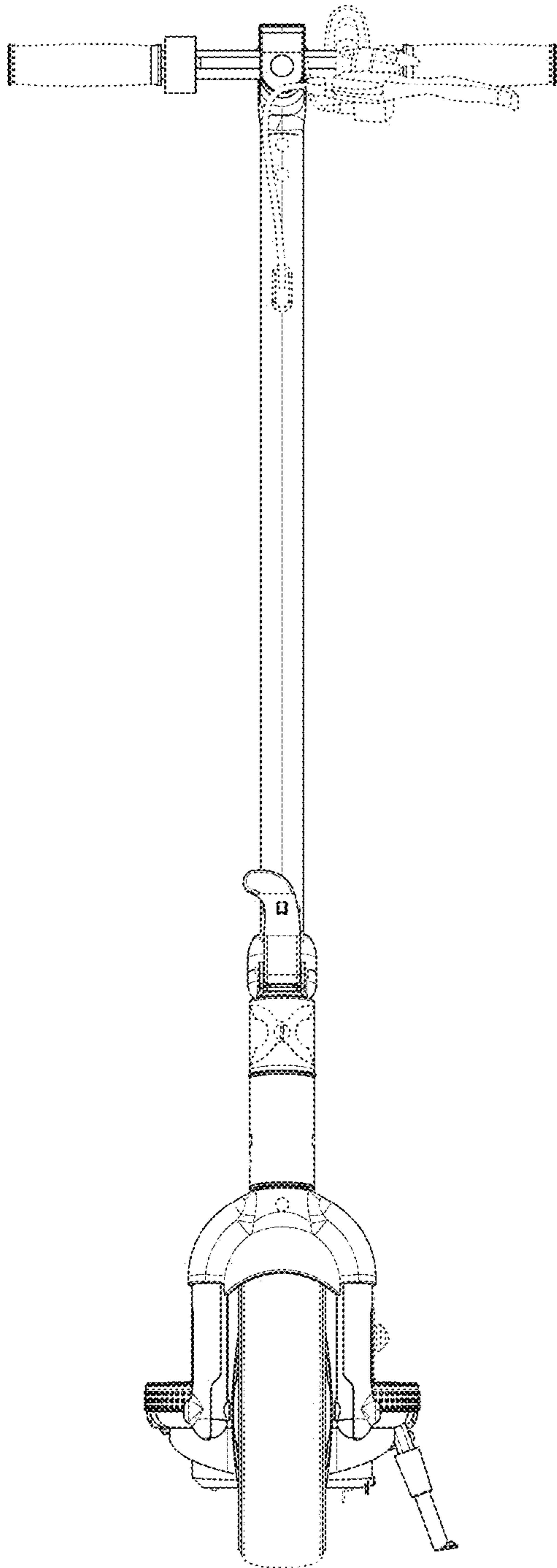


FIG. 3

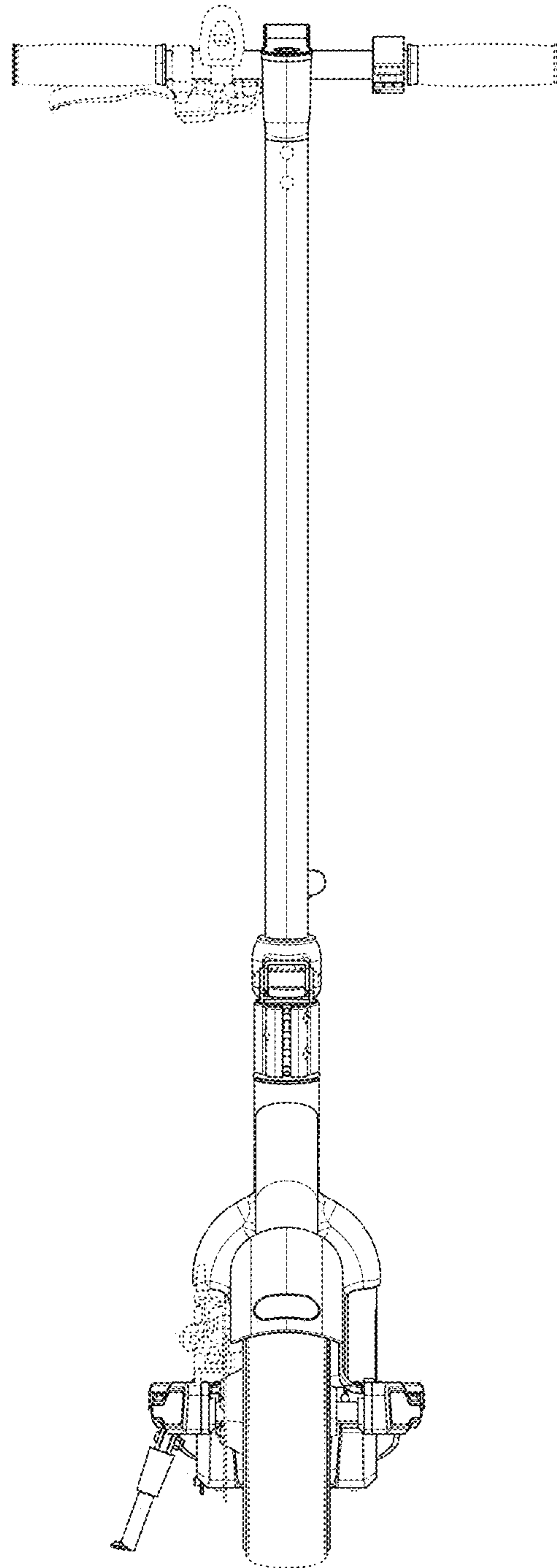


FIG. 4

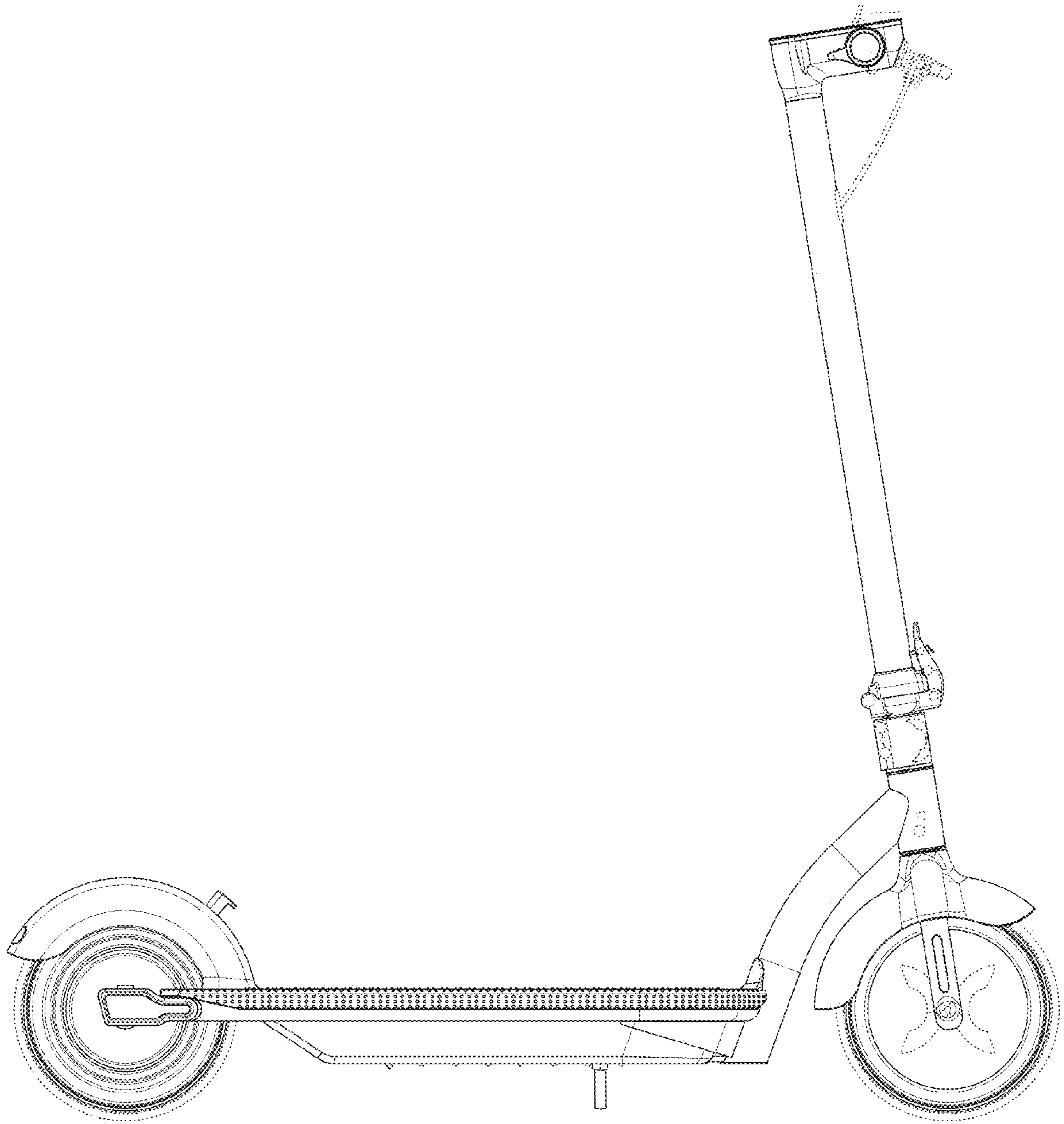


FIG. 5

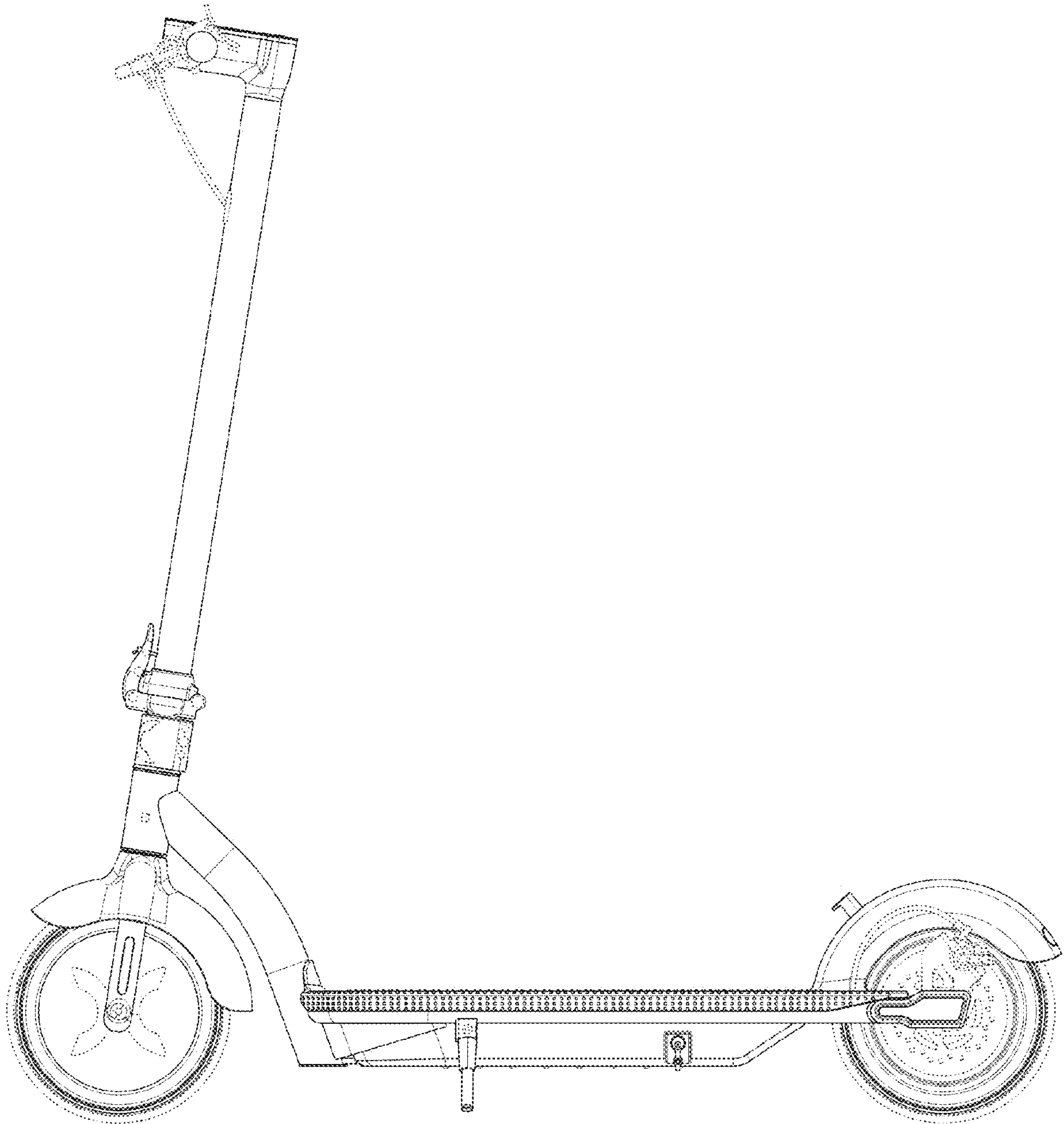


FIG. 6

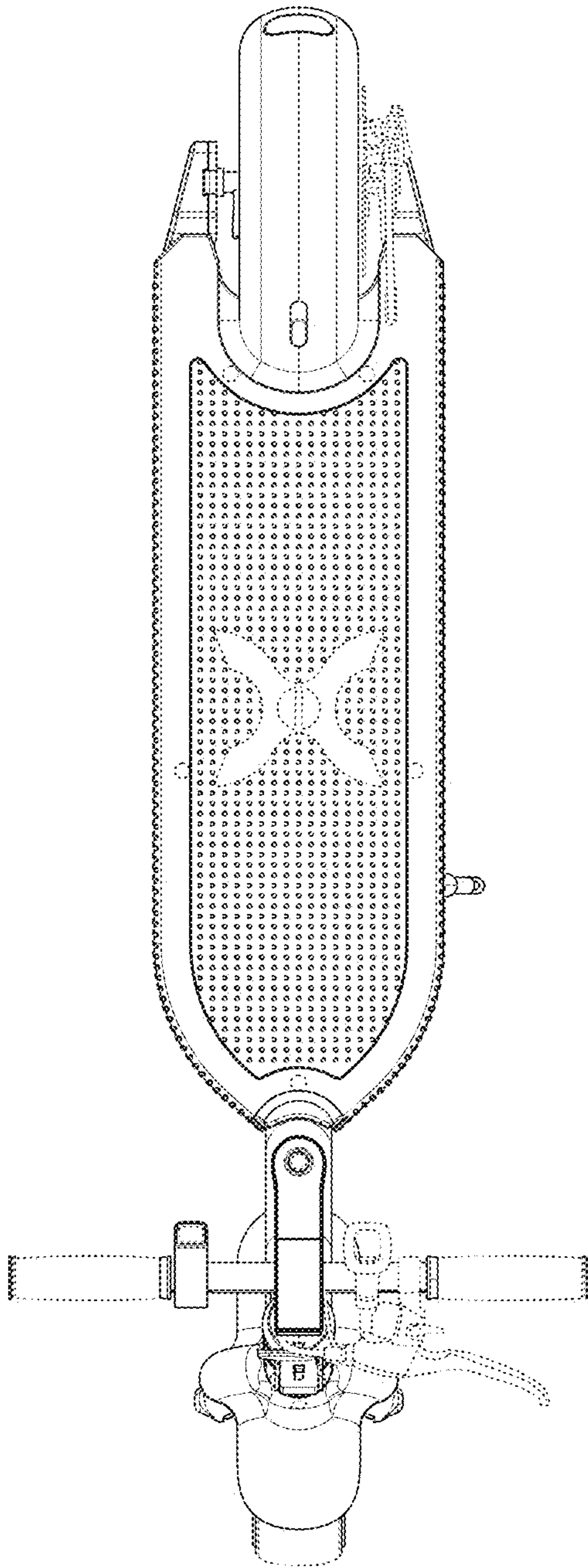


FIG. 7

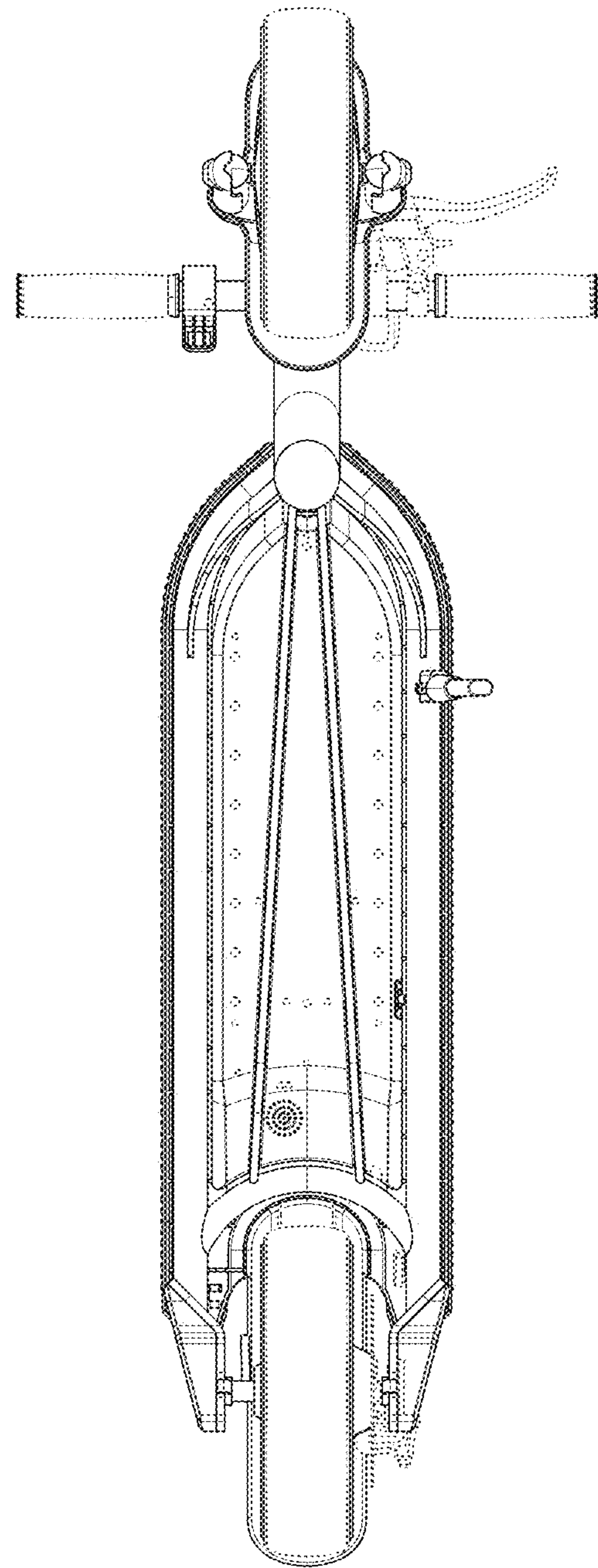


FIG. 8