



US00D977012S

(12) **United States Design Patent**
Yang

(10) **Patent No.:** **US D977,012 S**
(45) **Date of Patent:** **** Jan. 31, 2023**

(54) **GAME CONTROLLER**

(71) Applicant: **Shenzhen Yongchuangcheng Technology Co., Limited**, Shenzhen (CN)

(72) Inventor: **Lijuan Yang**, Shenzhen (CN)

(73) Assignee: **Shenzhen Yongchuangcheng Technology Co., Limited**, Shenzhen (CN)

(**) Term: **15 Years**

(21) Appl. No.: **29/806,913**

(22) Filed: **Sep. 8, 2021**

(51) **LOC (14) Cl.** **21-01**

(52) **U.S. Cl.**
USPC **D21/333**

(58) **Field of Classification Search**
USPC D21/324, 332-337, 566, 572-574, 328;
D14/217, 218, 356, 387, 388, 389, 400,
D14/401, 415, 418, 426-431, 443, 447,
D14/449, 450, 454, 455, 471, 474, 483,
D14/496, 511; D13/164, 168
CPC .. A63F 9/02; A63F 9/24; A63F 9/0291; A63F
9/0252; A63F 13/00; A63F 13/23; A63F
13/24; A63F 13/26; A63F 13/98; A63F
13/02; A63F 13/12; A63F 9/00; A63F
2300/00; A63F 2300/1031
See application file for complete search history.

(56) **References Cited**

U.S. PATENT DOCUMENTS

D715,296 S *	10/2014	Huang	D14/401
D717,876 S *	11/2014	Sumii	D21/333
D718,818 S *	12/2014	Sumii	D14/401
D733,140 S *	6/2015	Sumii	D14/401
D780,759 S *	3/2017	Ironmonger	D14/401
D794,027 S *	8/2017	Ironmonger	D14/401

D794,717 S *	8/2017	Kujawski	D14/401
D808,968 S *	1/2018	Tang	D14/401
D819,642 S *	6/2018	Ehara	D14/401
D823,945 S *	7/2018	Falc	D14/416
D870,817 S *	12/2019	Yeung	D21/333
D875,179 S *	2/2020	Wang	D21/333
D881,283 S *	4/2020	Ironmonger	D14/401
D887,411 S *	6/2020	Li	D14/401
D889,549 S *	7/2020	Ironmonger	D14/401
D898,124 S *	10/2020	Tong	D14/401
D923,097 S *	6/2021	Zhao	D21/333
D923,100 S *	6/2021	Zhou	D21/333
D947,947 S *	4/2022	Luo	D21/333
D953,439 S *	5/2022	Wang	D21/333
D954,838 S *	6/2022	Kobayashi	D21/333

(Continued)

Primary Examiner — Mehri F Bajoul

(74) *Attorney, Agent, or Firm* — Nitin Kaushik

(57) **CLAIM**

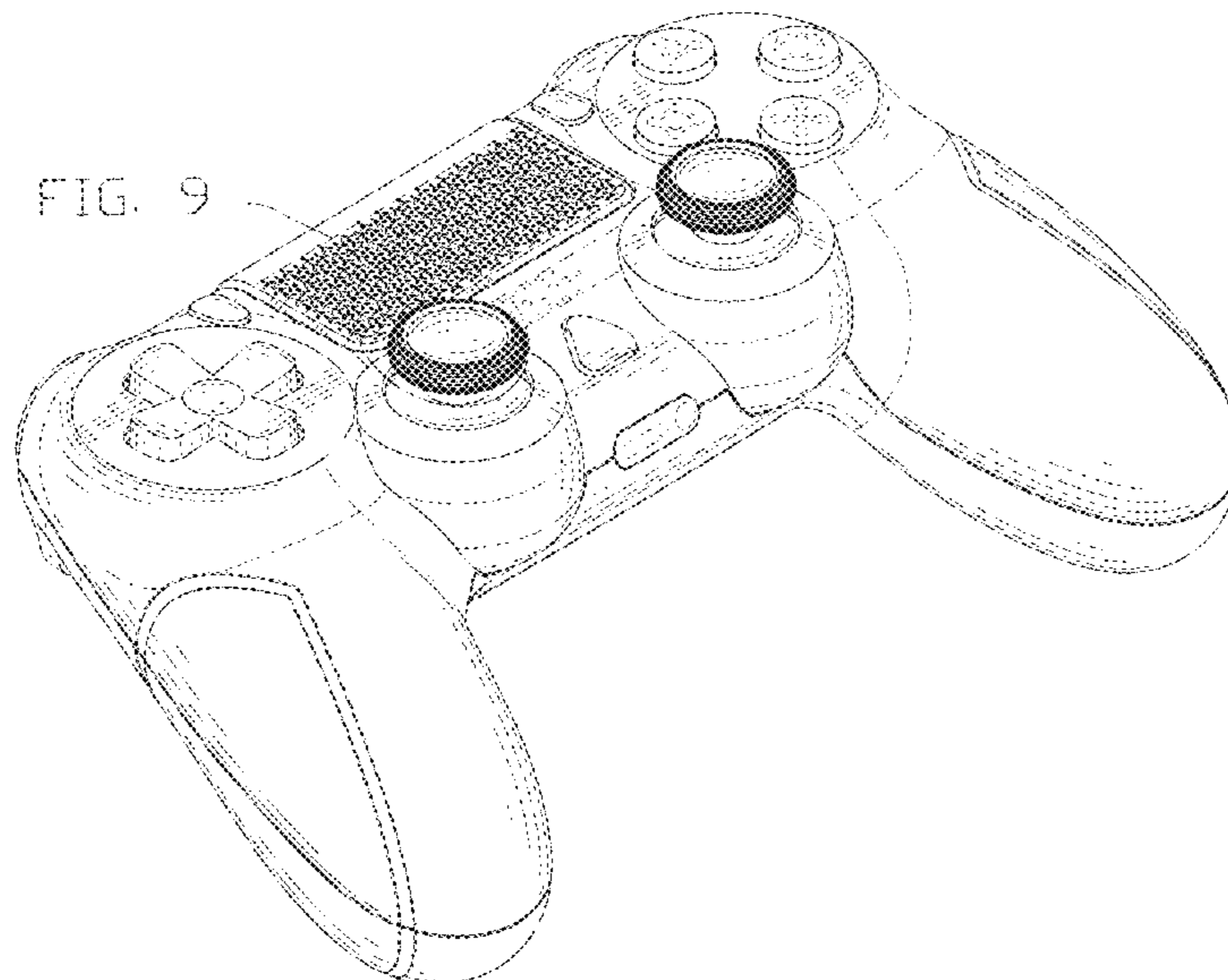
The ornamental design for a game controller, as shown and described.

DESCRIPTION

FIG. 1 is a front and top perspective view of a game controller, showing my new design;
FIG. 2 is a rear and bottom perspective view thereof;
FIG. 3 is a front elevation view thereof;
FIG. 4 is a rear elevation view thereof;
FIG. 5 is a left side elevation view thereof;
FIG. 6 is a right side elevation view thereof;
FIG. 7 is a top plan view thereof;
FIG. 8 is a bottom plan view thereof; and,
FIG. 9 is an enlarged view of a portion labeled, 'FIG. 9' in FIG. 1.

The evenly dash-dash broken lines in the drawings illustrate portions of the game controller that form no part of the claimed design. The long-short dash lines in FIGS. 1 and 9 show the bounds of the magnified portion and form no part of the claimed design.

1 Claim, 9 Drawing Sheets



(56)

References Cited

U.S. PATENT DOCUMENTS

D956,873 S * 7/2022 Guo D21/333
D958,252 S * 7/2022 Wang D21/333
D958,253 S * 7/2022 Wang D21/333
D958,891 S * 7/2022 Kobayashi D21/333
2019/0388779 A1* 12/2019 Morita A63F 13/214
2021/0060418 A1* 3/2021 Kawashima G06F 3/016
2021/0299552 A1* 9/2021 Morita H04R 1/08
2021/0299554 A1* 9/2021 Kobayashi G06F 3/016

* cited by examiner

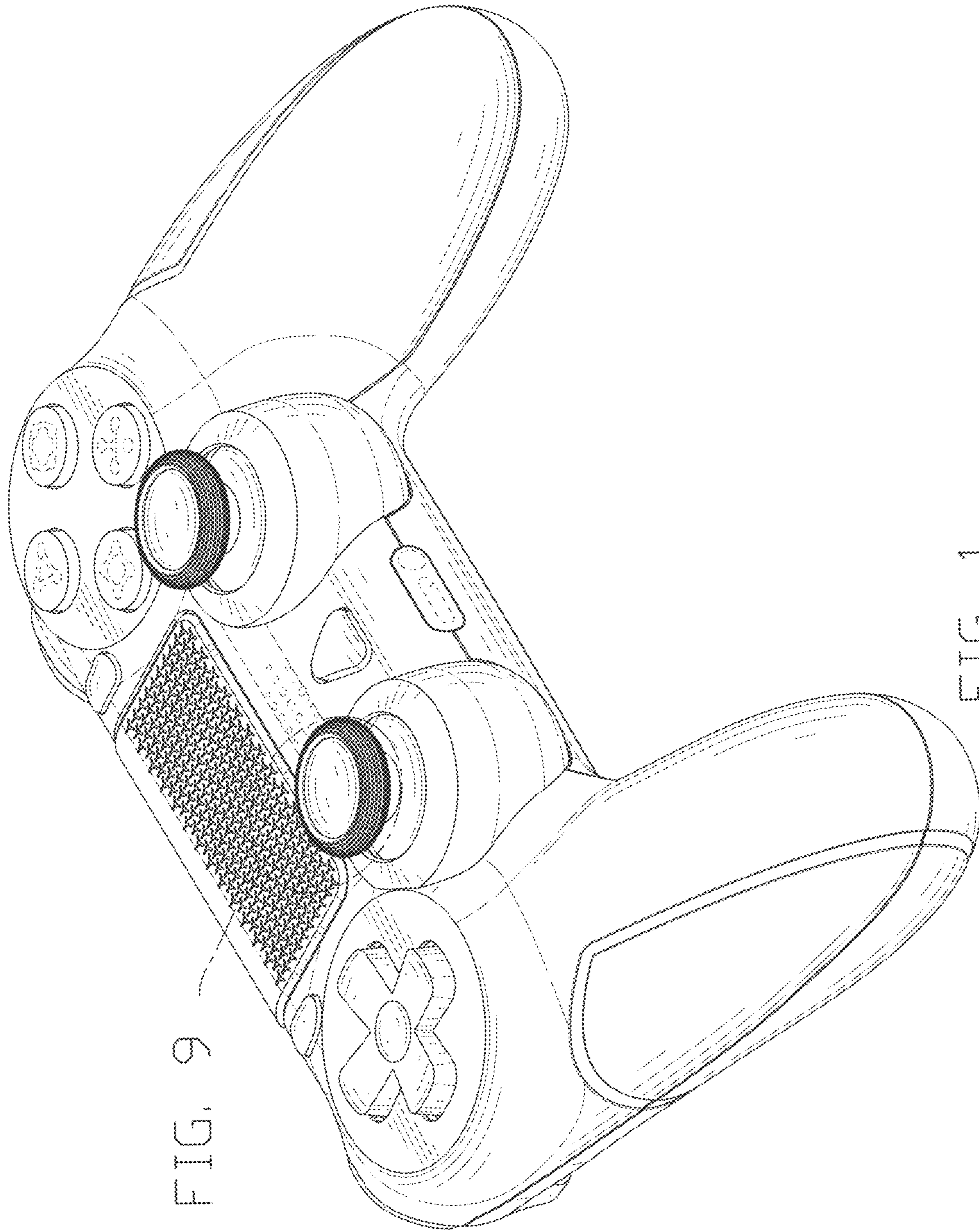


FIG. 9

FIG. 1

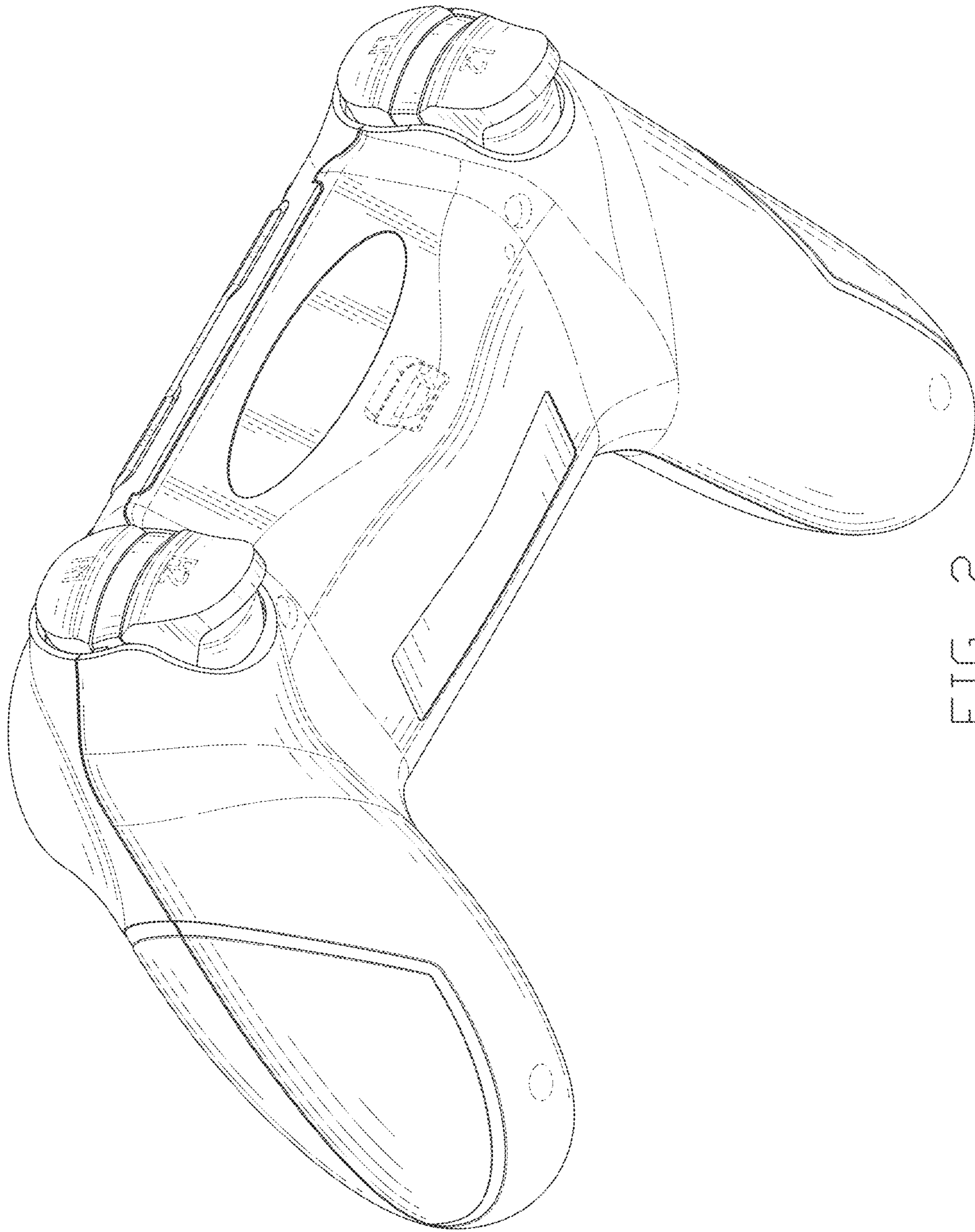


FIG. 2

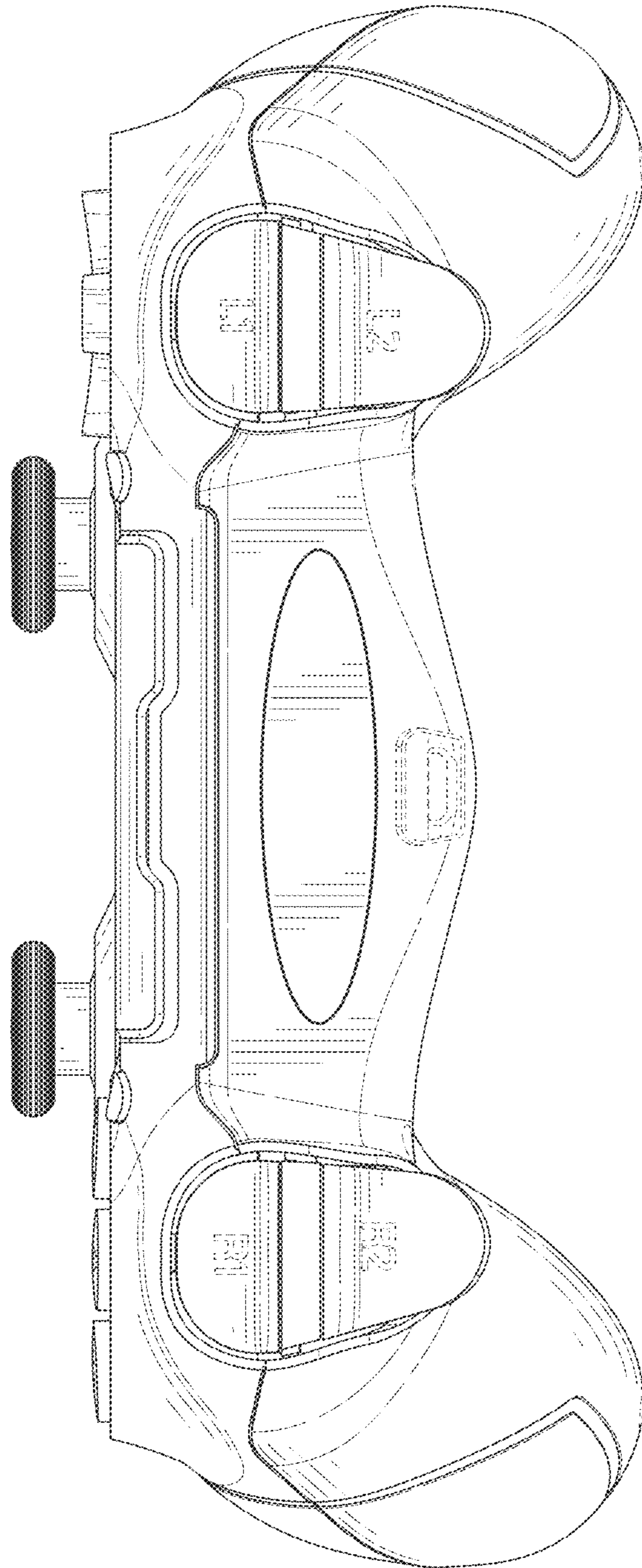


FIG. 3

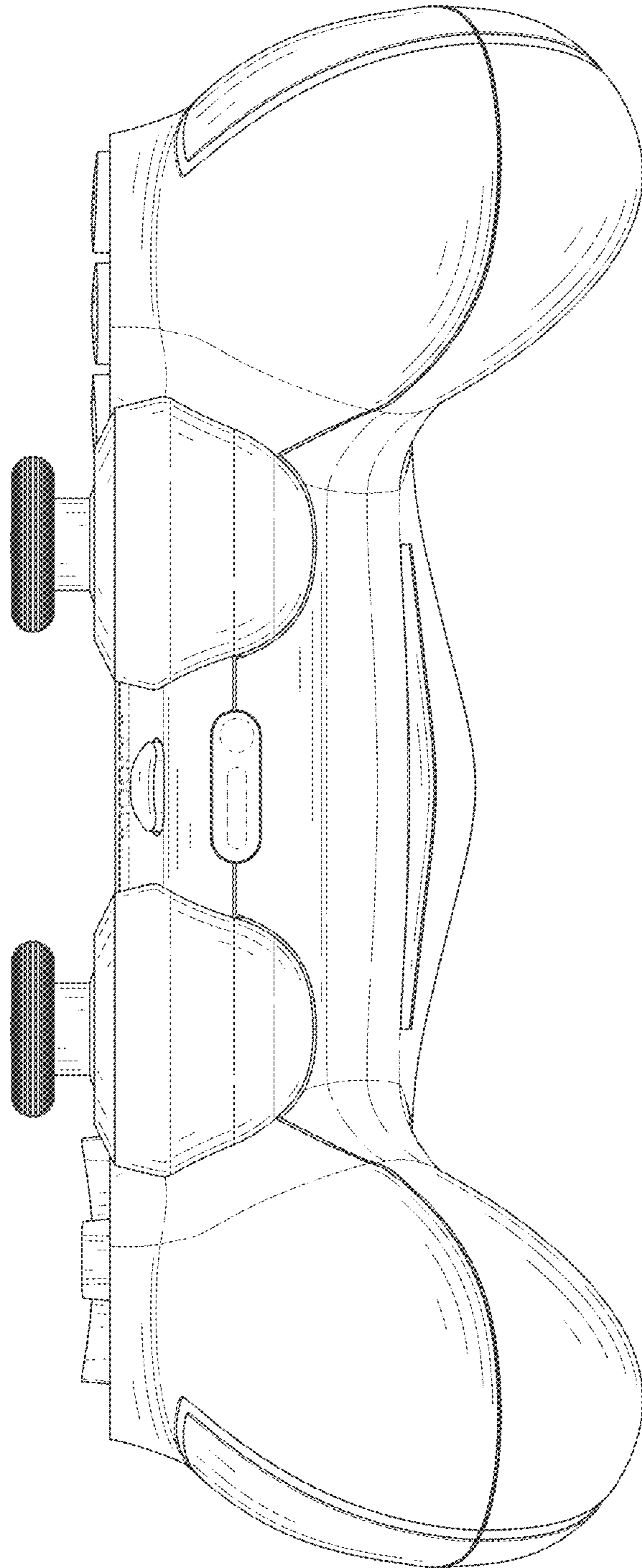


FIG. 4

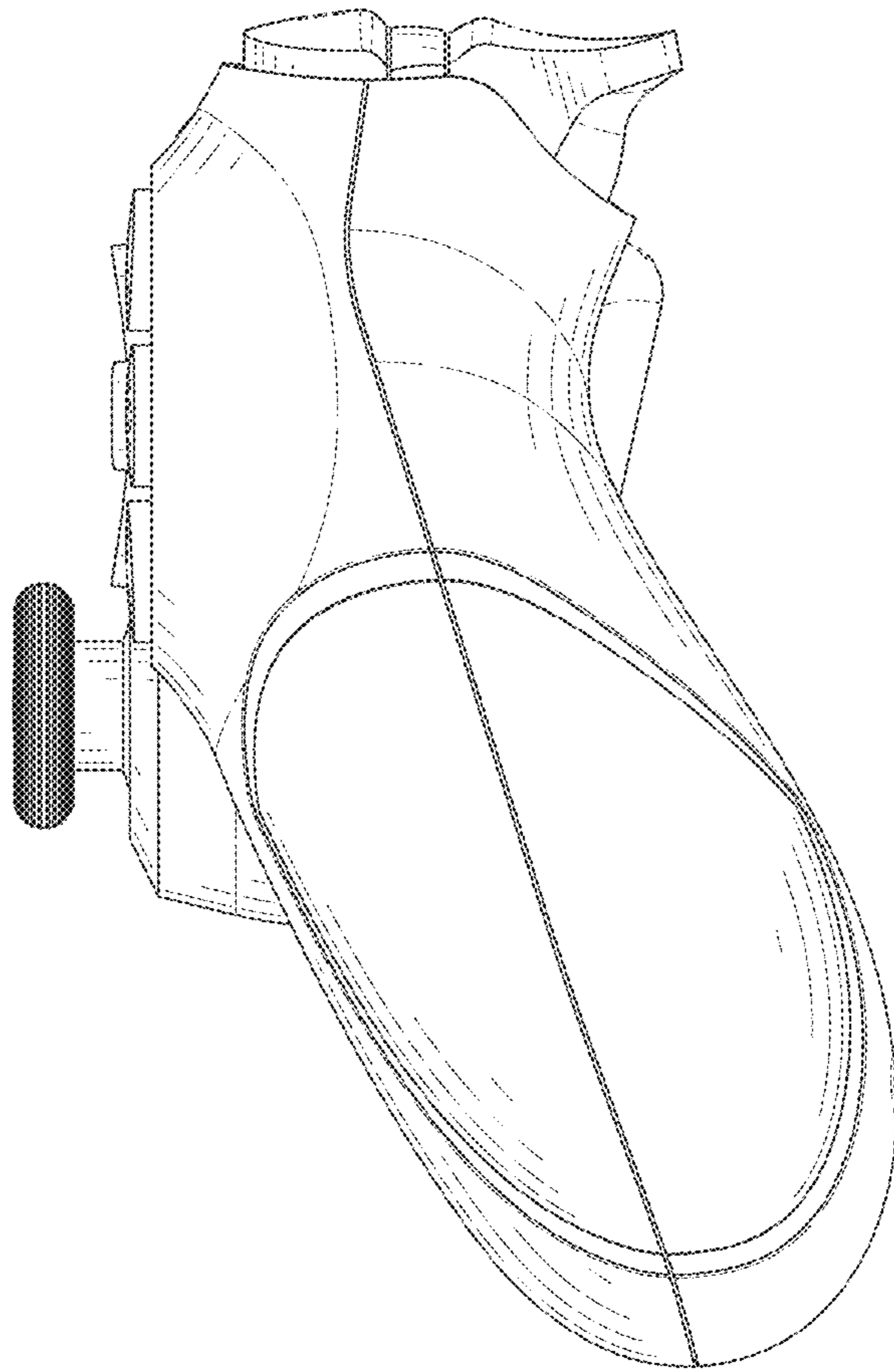


FIG. 5

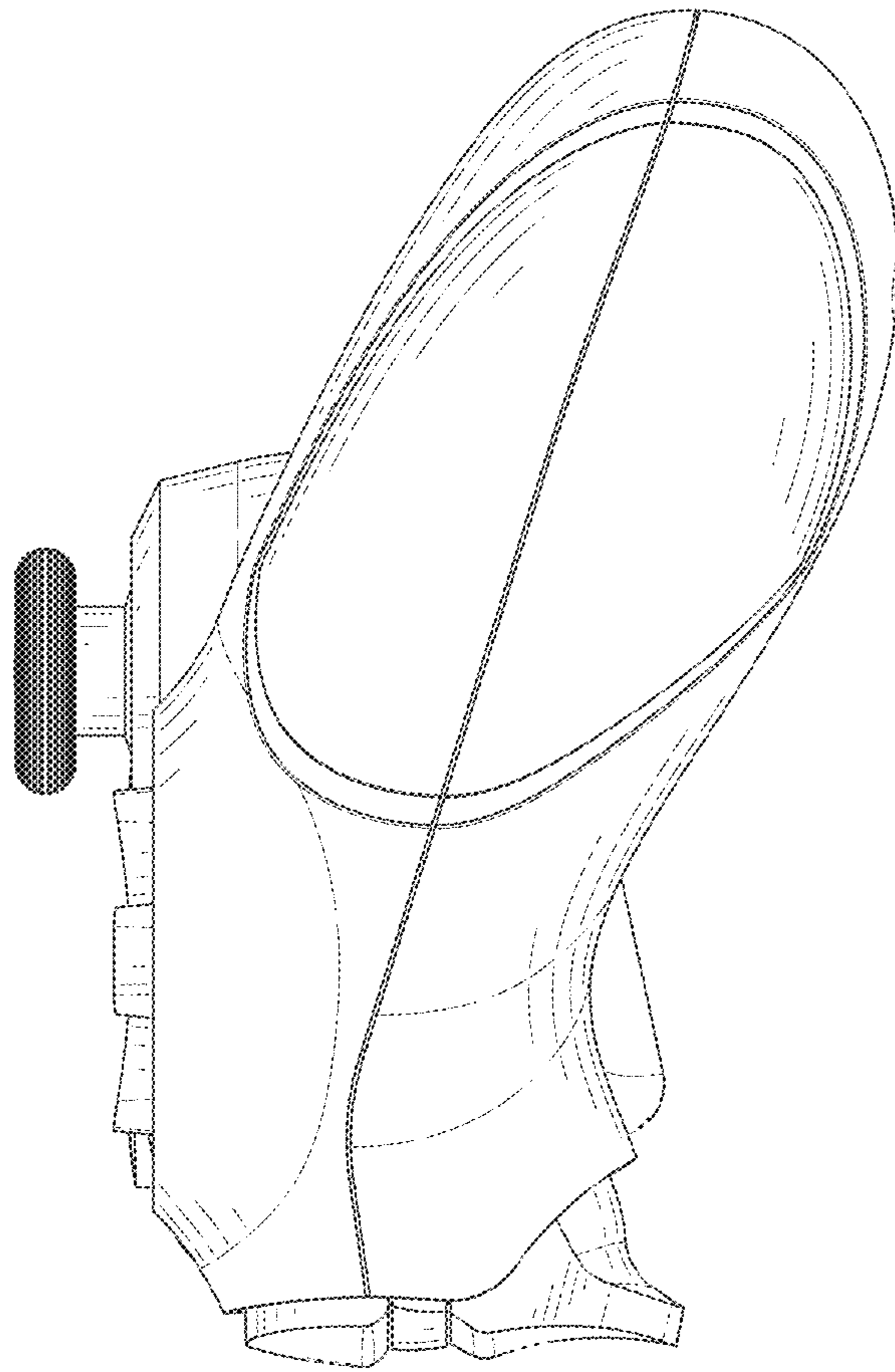


FIG. 6

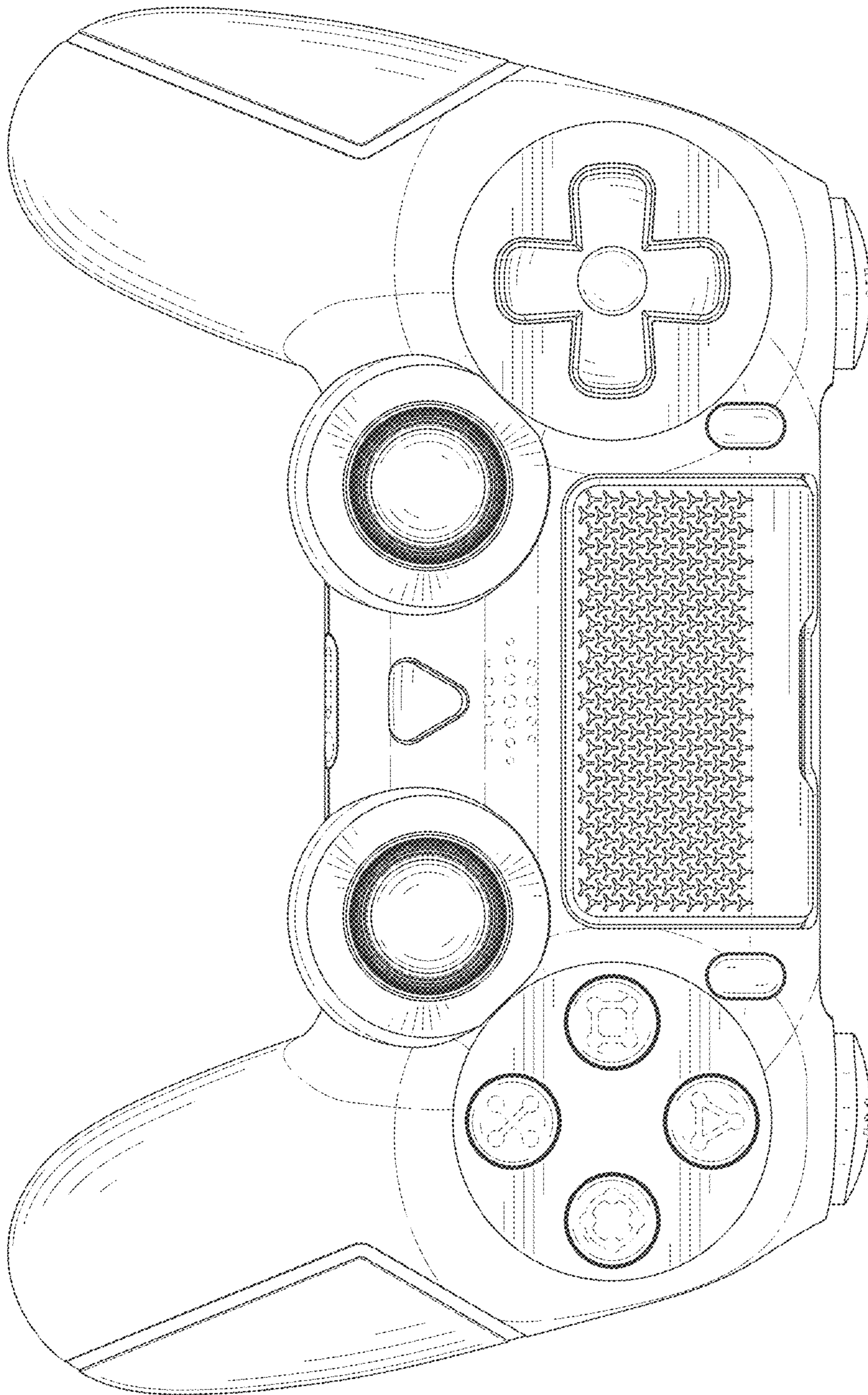


FIG. 7

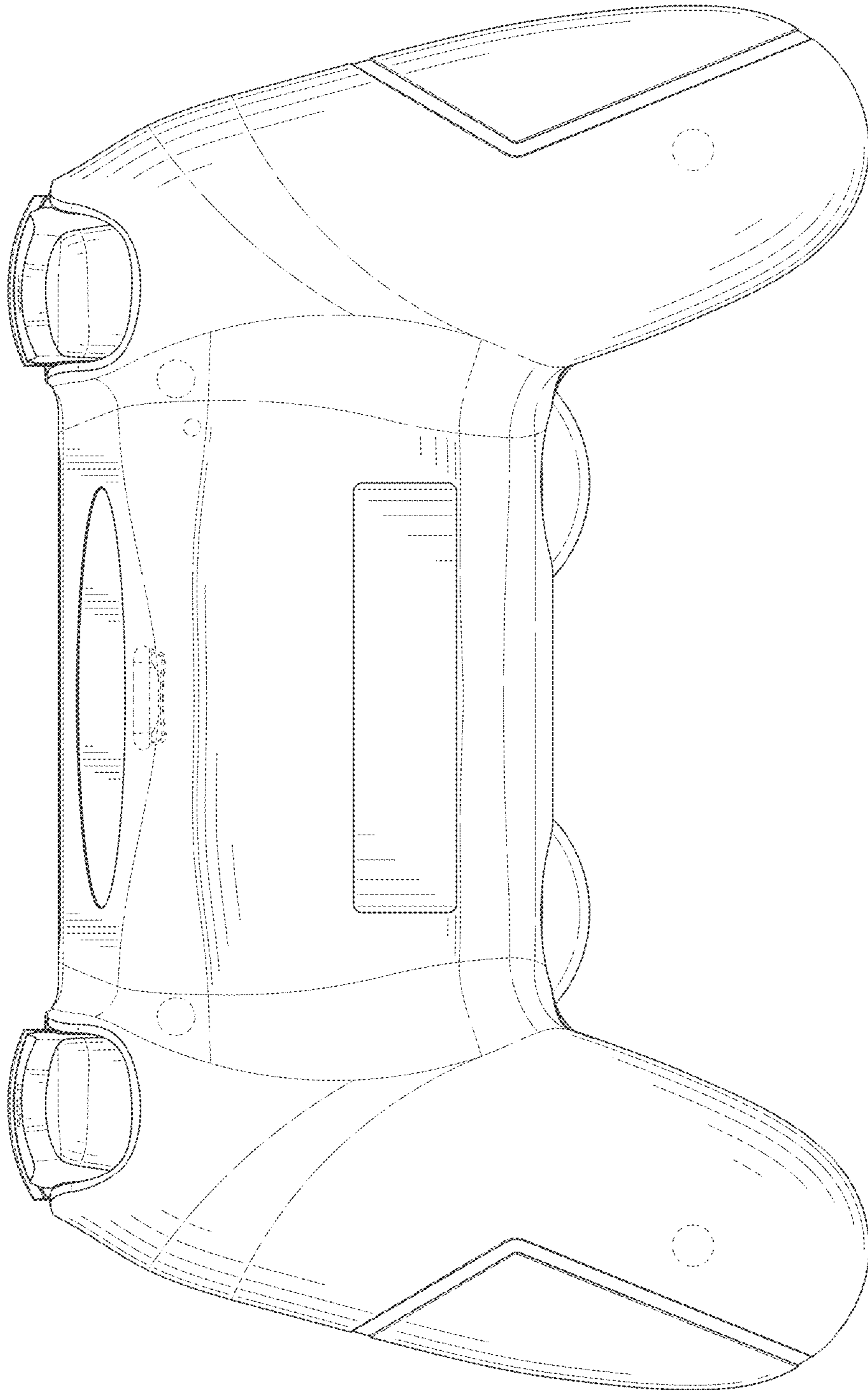


FIG. 8

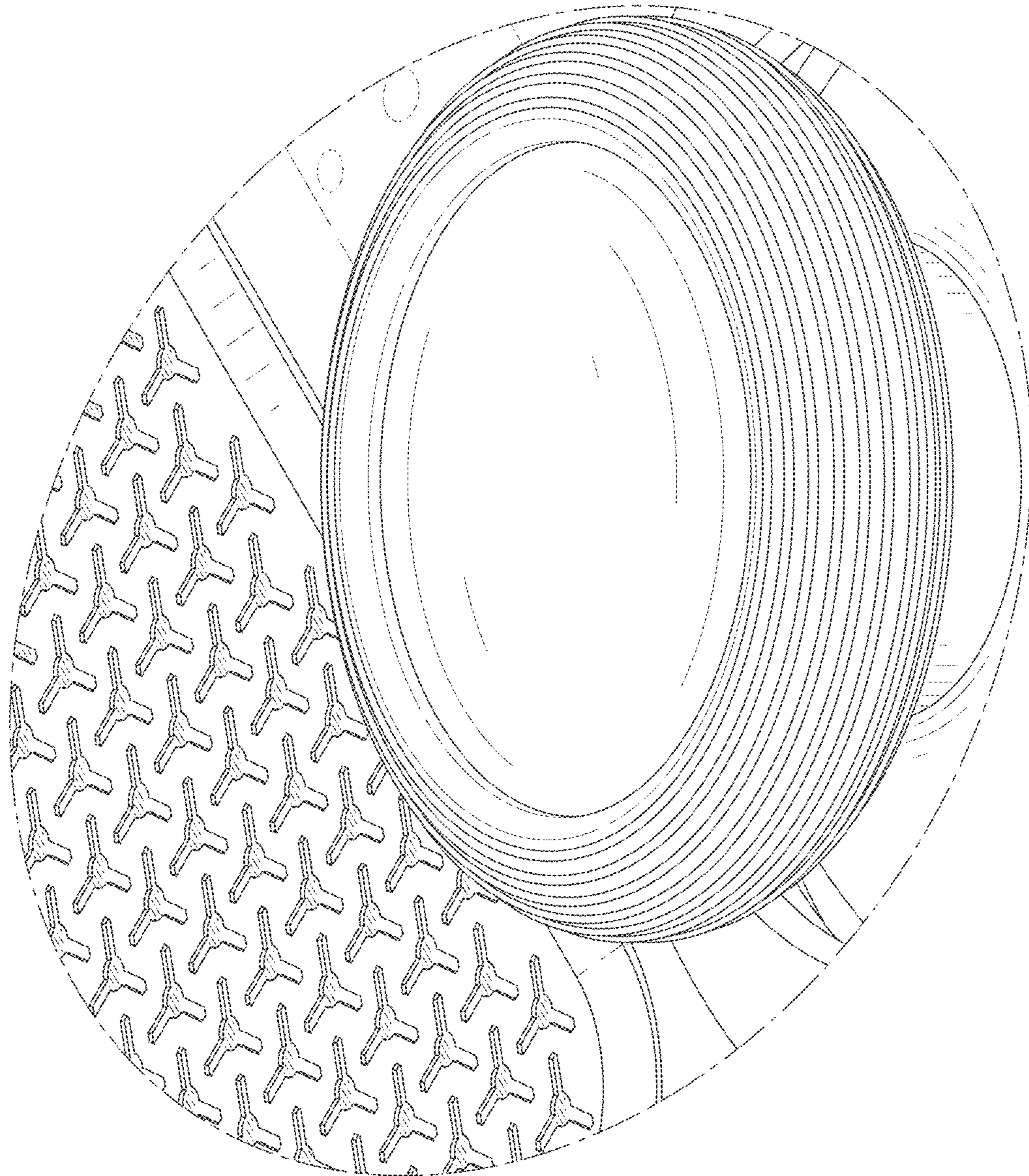


FIG. 9