



US00D977011S

(12) **United States Design Patent**
Xu

(10) **Patent No.:** **US D977,011 S**
(45) **Date of Patent:** **** Jan. 31, 2023**

(54) **STAND PEDAL FOR STEERING WHEEL**
(71) Applicant: **Guangzhou Diwang Electronic Commerce Co., Ltd., Guangzhou (CN)**
(72) Inventor: **Huanjie Xu, Guangzhou (CN)**
(73) Assignee: **Guangzhou Diwang Electronic Commerce Co., Ltd., Guangzhou (CN)**
(**) Term: **15 Years**

D598,207 S *	8/2009	Smit	D6/335
D615,596 S *	5/2010	Bik	D21/324
D642,222 S *	7/2011	Pezzoni	D21/333
D651,815 S *	1/2012	Smit	D6/336
D656,553 S *	3/2012	Blaskov	D21/333
D691,822 S *	10/2013	Smit	D6/368
D701,917 S *	4/2014	Ghahramanian	D21/333
D835,198 S *	12/2018	Berlinches	D21/326
D852,562 S *	7/2019	Jui	D6/716
D856,020 S *	8/2019	Ghahramanian	D6/367
D912,733 S *	3/2021	Ghahramanian	D21/333
D930,748 S	9/2021	Ghahramanian		
D931,373 S	9/2021	Ghahramanian		

(21) Appl. No.: **29/832,927**
(22) Filed: **Mar. 30, 2022**
(51) **LOC (14) Cl.** **21-01**
(52) **U.S. Cl.**
USPC **D21/326**
(58) **Field of Classification Search**
USPC D21/312, 324, 325, 326, 327, 329, 333,
D21/349, 351-355, 366, 369, 370, 371,
D21/385, 426, 427, 430, 471, 477, 695,
D21/696, 814; D6/335, 356, 366, 367,
D6/368, 716; D12/87, 112, 378.12
CPC A63F 13/08; A63F 13/803; A63F 13/28;
G09B 9/12; A47C 1/026; A47C 1/143;
A47C 7/72; A47C 7/5068
See application file for complete search history.

* cited by examiner

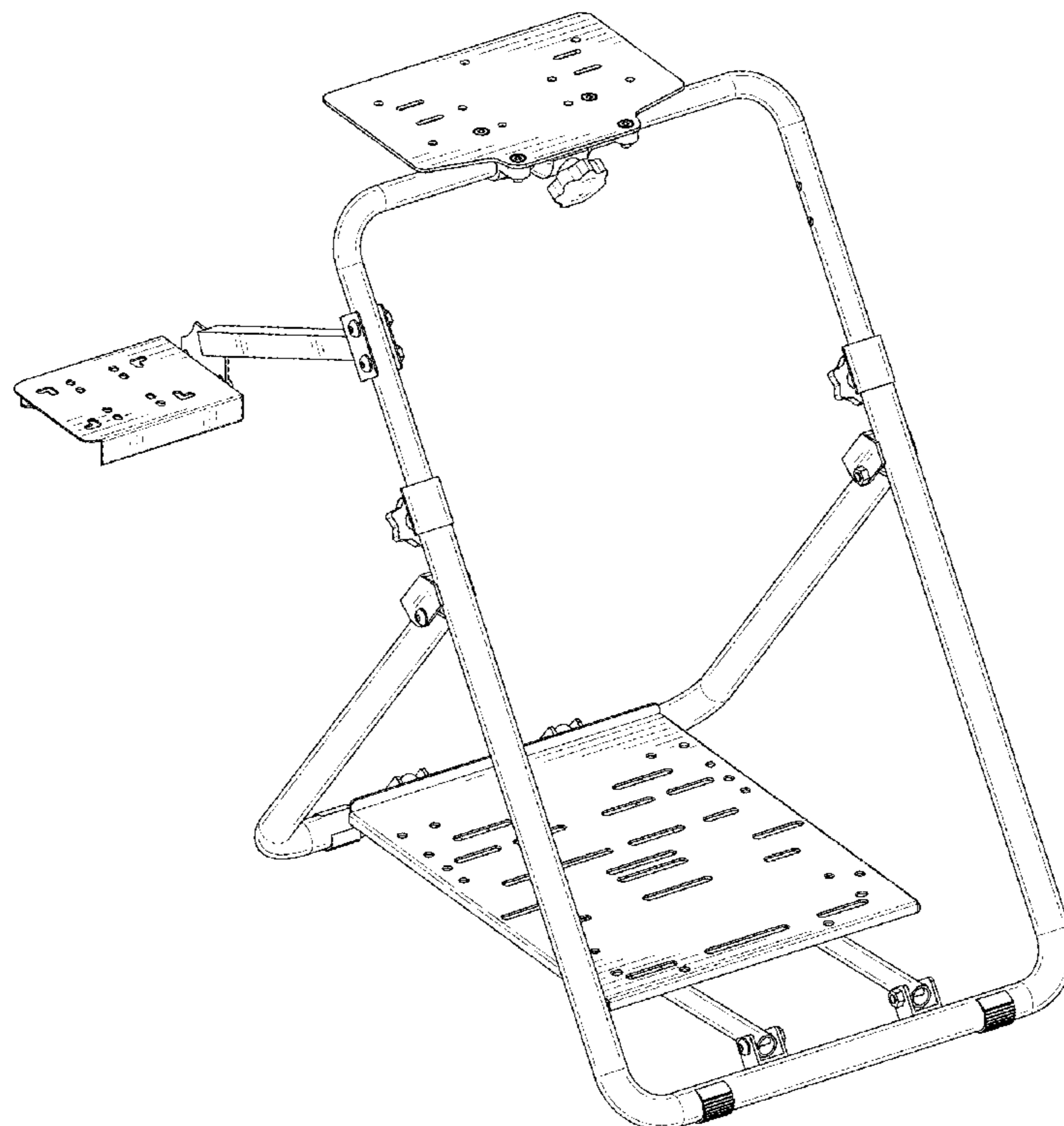
Primary Examiner — Mehri F Bajoul
(74) *Attorney, Agent, or Firm* — True Shepherd, LLC;
Andrew Cheng

(56) **References Cited**
U.S. PATENT DOCUMENTS
D243,627 S * 3/1977 Clower D21/426
D544,923 S * 6/2007 Brase D21/333

(57) **CLAIM**
The ornamental design for a stand pedal for steering wheel, as shown and described.

DESCRIPTION
FIG. 1 is a front, left and top perspective view of a stand pedal for steering wheel, showing my design.
FIG. 2 is a rear, right and bottom perspective view thereof.
FIG. 3 is a rear elevation view thereof.
FIG. 4 is a front elevation view thereof.
FIG. 5 is a right side elevation view thereof.
FIG. 6 is a left side elevation view thereof.
FIG. 7 is a top plan view thereof; and,
FIG. 8 is a bottom plan view thereof.

1 Claim, 8 Drawing Sheets



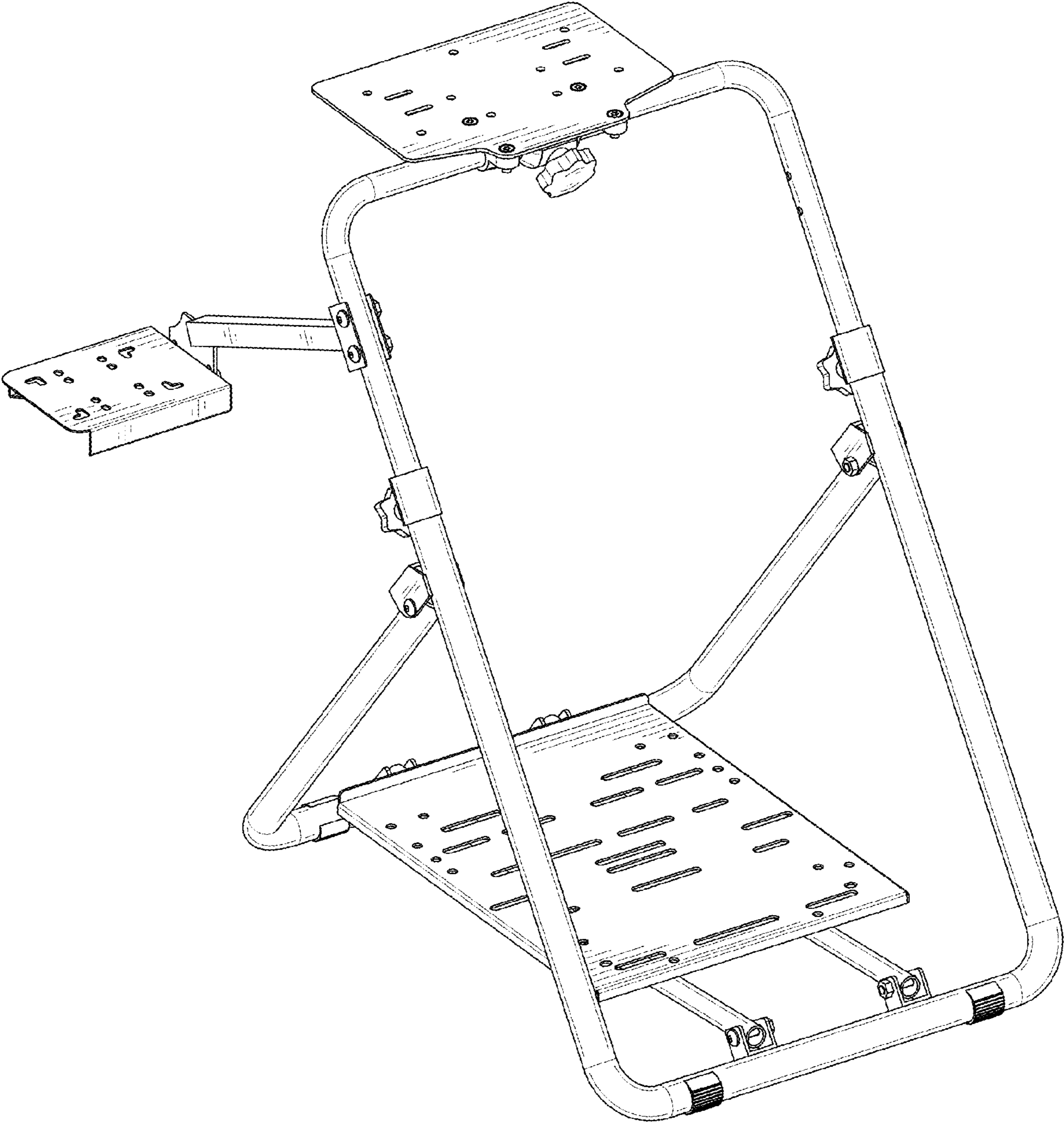


FIG. 1

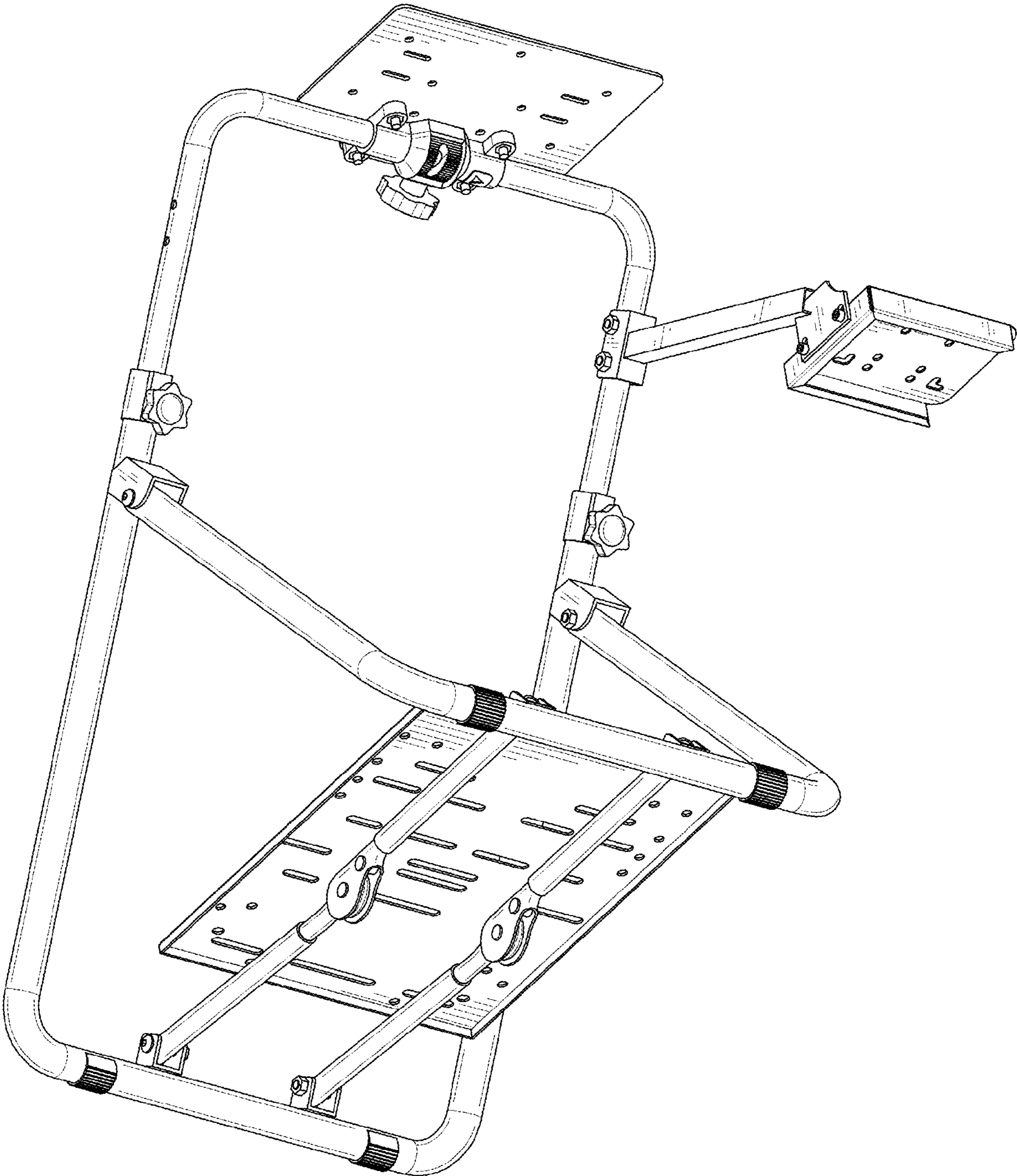


FIG.2

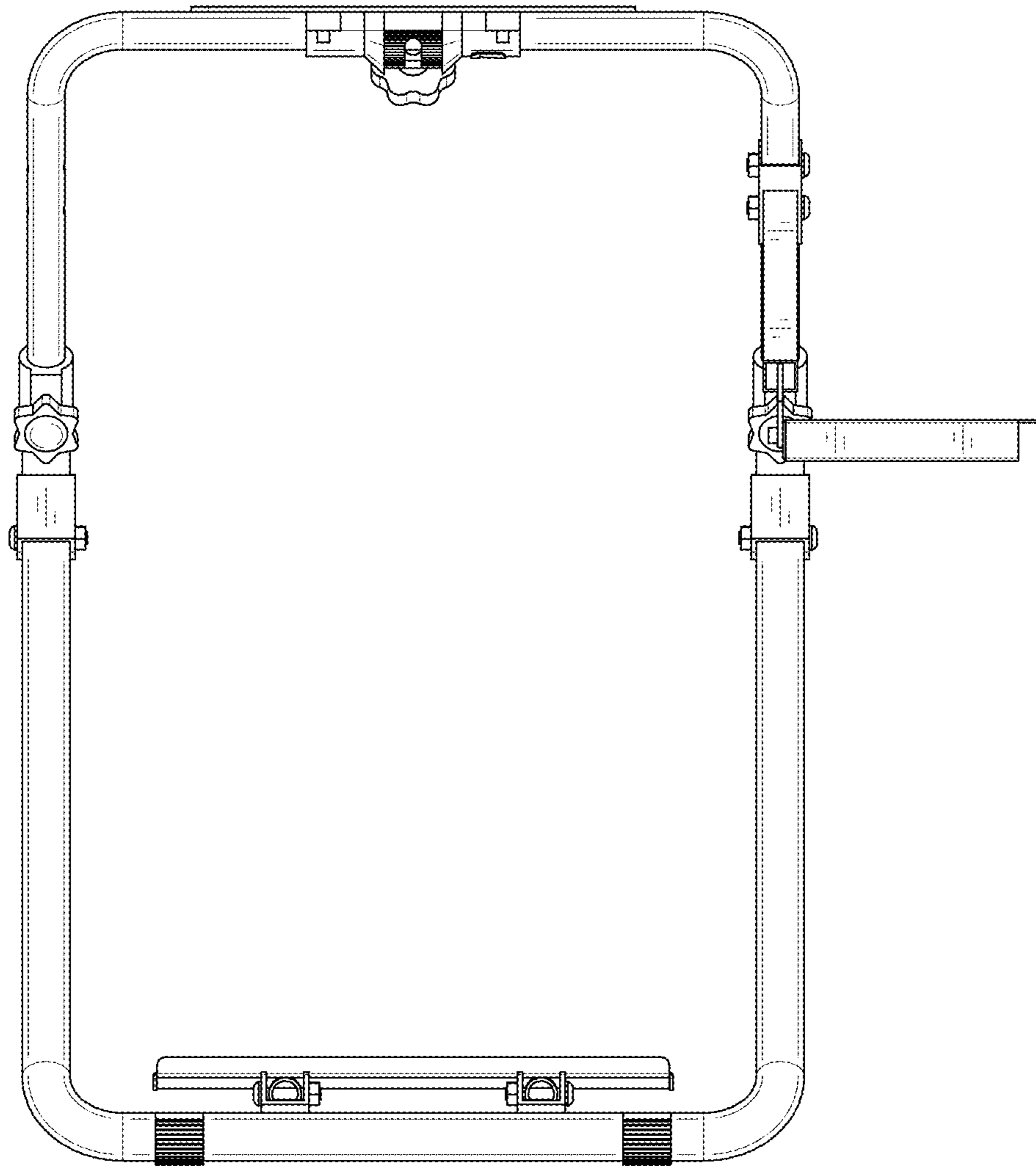


FIG. 3

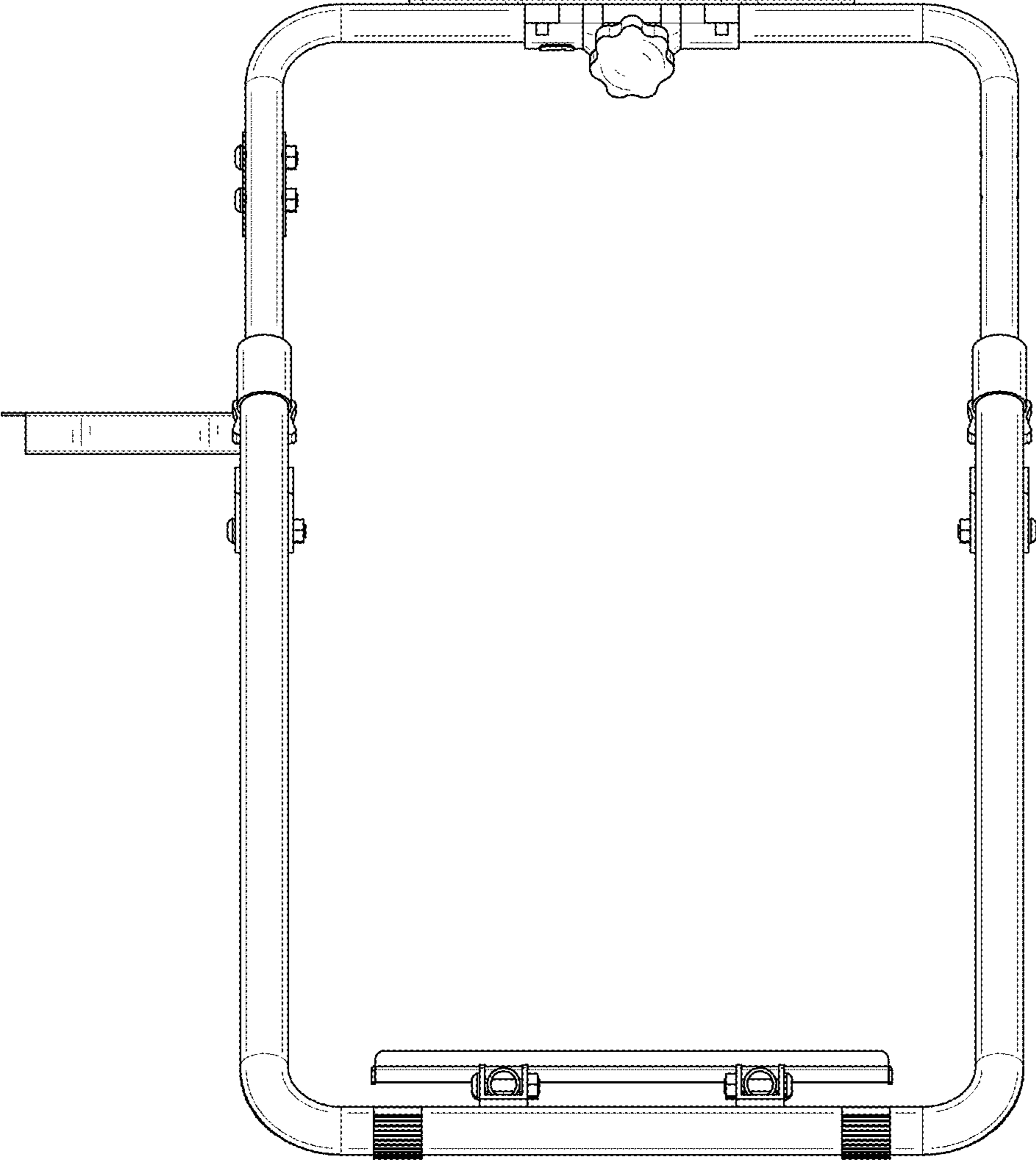


FIG.4

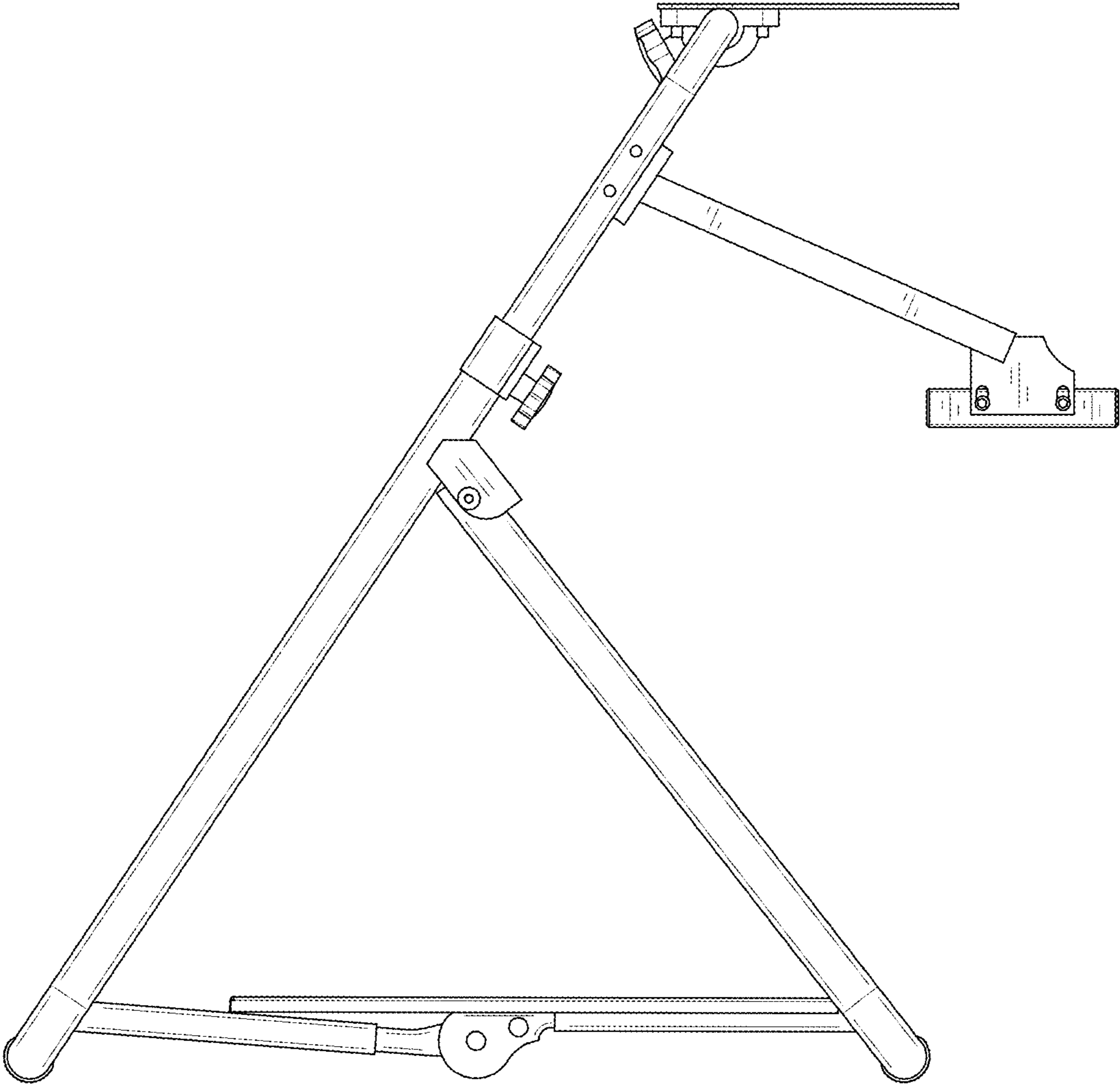


FIG. 5

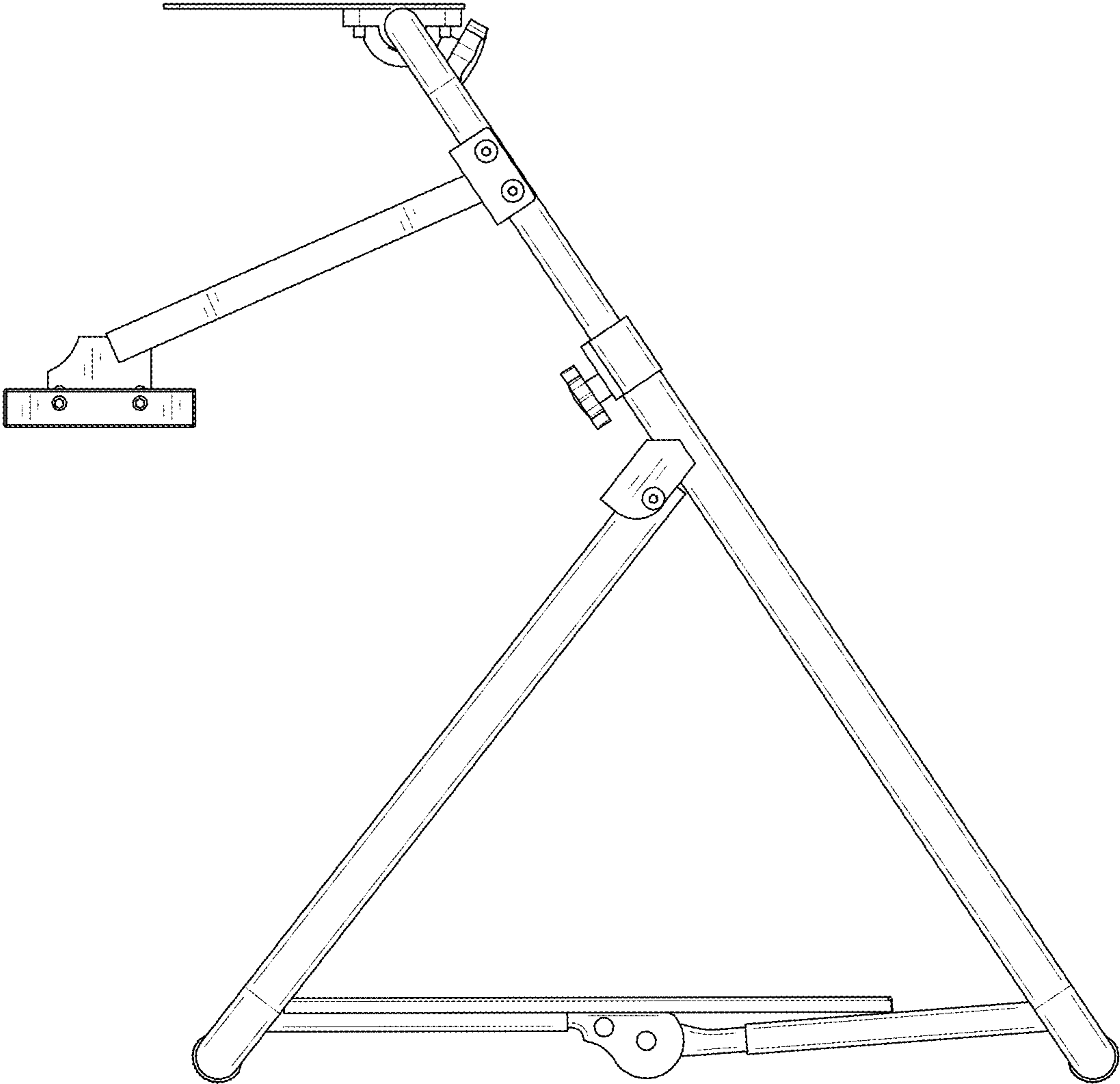


FIG. 6

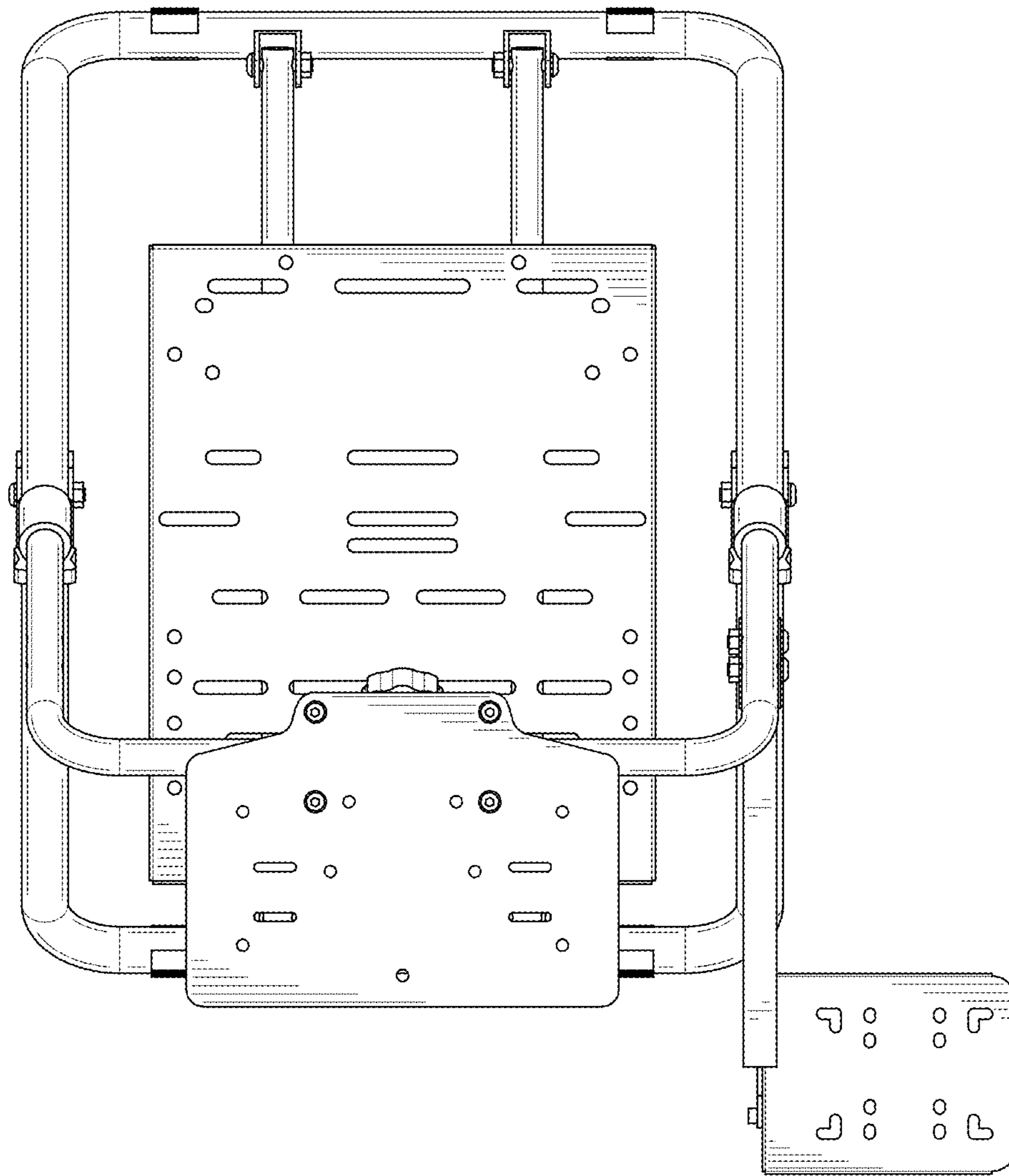


FIG. 7

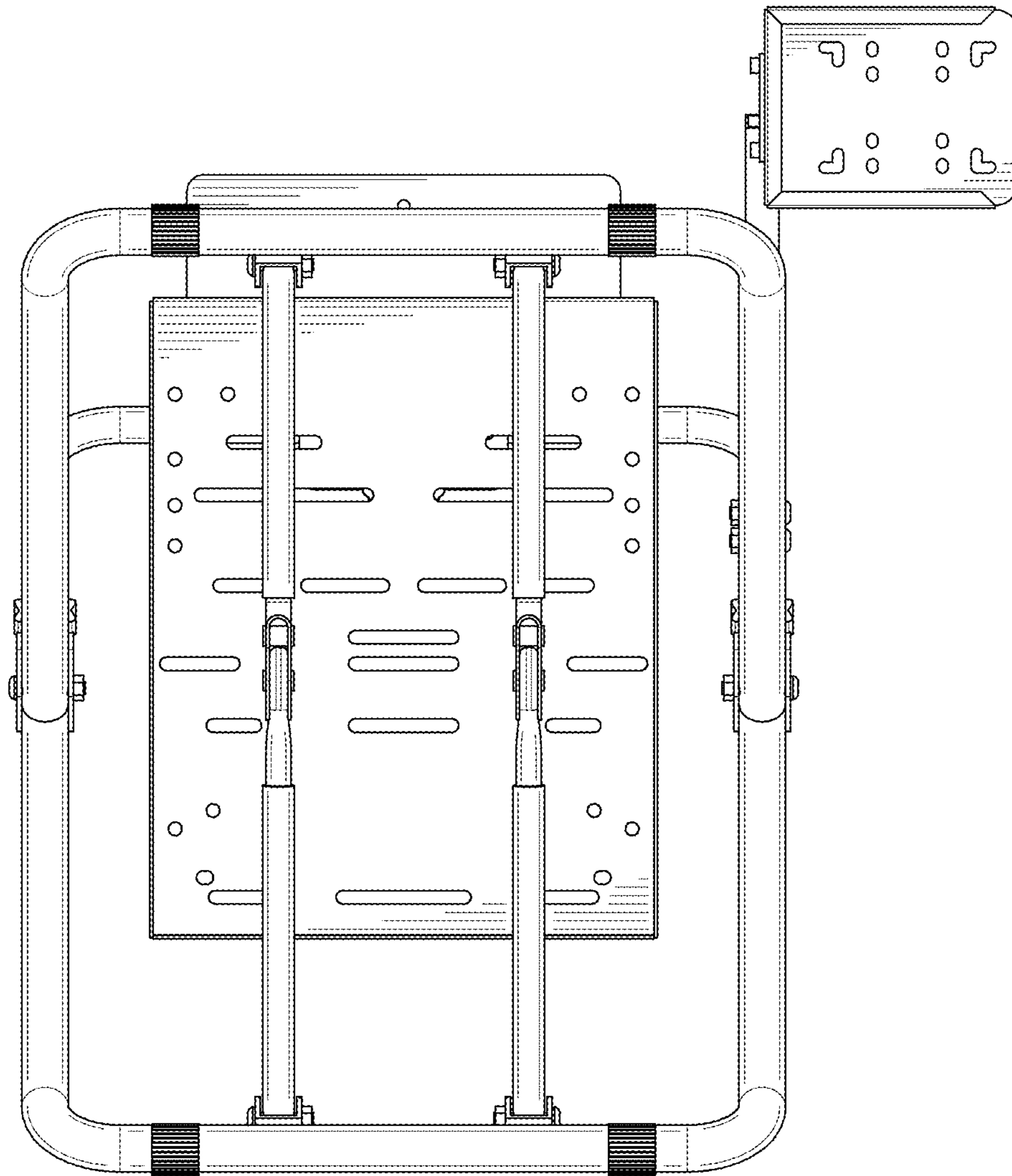


FIG. 8