



US00D977009S

(12) **United States Design Patent** (10) **Patent No.:** **US D977,009 S**  
**Massad et al.** (45) **Date of Patent:** **\*\* Jan. 31, 2023**

(54) **PAINTERS PALETTE**

**DESCRIPTION**

(71) Applicant: **Redgrass SA**, Lausanne (CH)  
(72) Inventors: **Fabrice Massad**, Saint-Sulpice (CH);  
**Vivien Massad**, Paris (FR)  
(73) Assignee: **Redgrass SA**, Lausanne (CH)  
(\*\*) Term: **15 Years**  
(21) Appl. No.: **35/511,694**  
(22) Filed: **Mar. 8, 2021**  
(80) **Hague Agreement Data**  
Int. Filing Date: **Mar. 8, 2021**  
Int. Reg. No.: **DM/213618**  
Int. Reg. Date: **Mar. 8, 2021**  
Int. Reg. Pub. Date: **Apr. 16, 2021**  
(51) **LOC (14) Cl.** ..... **19-01**  
(52) **U.S. Cl.**  
USPC ..... **D19/103**  
(58) **Field of Classification Search**  
USPC ..... D19/101–107; D28/76–84  
See application file for complete search history.  
(56) **References Cited**  
U.S. PATENT DOCUMENTS  
3,945,490 A \* 3/1976 Thompson ..... B44D 3/02  
D19/103  
D250,972 S \* 1/1979 Rodin ..... D19/103  
(Continued)  
*Primary Examiner* — Khawaja Anwar  
(74) *Attorney, Agent, or Firm* — Taft Stettinius &  
Hollister LLP

The patent or application file contains at least one drawing executed in color. Copies of this patent or patent application publication with color drawing(s) will be provided by the Office upon request and payment of the necessary fee.

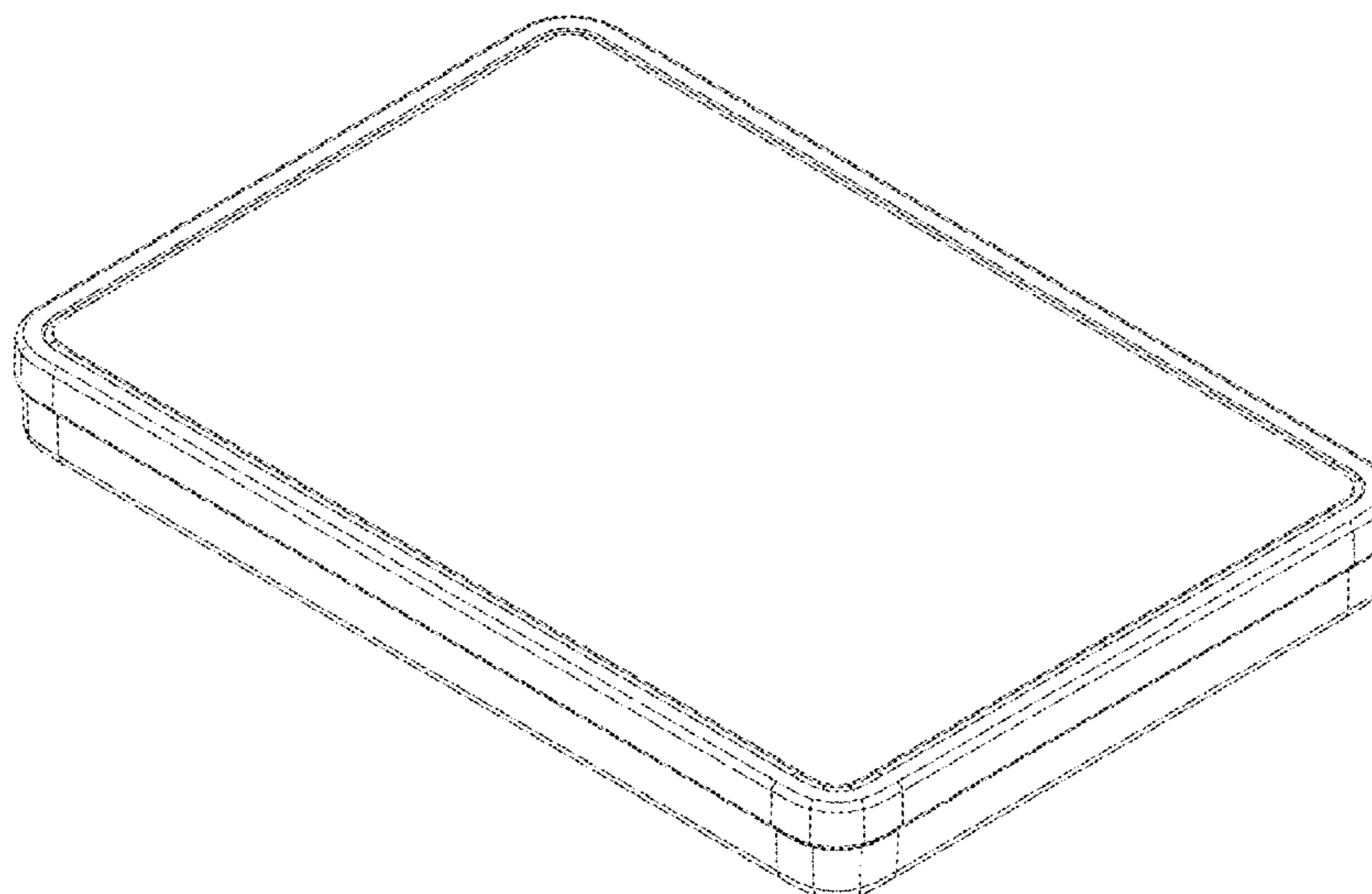
- 1. Painters' palette
- 2. Painters' palette
- 4. Part of painters' palette
- 1.1 : Perspective
- 1.2 : Perspective
- 1.3 : Front
- 1.4 : Right
- 1.5 : Top
- 1.6 : Bottom
- 1.7 : Exploded
- 2.1 : Perspective
- 2.2 : Enlarged
- 2.3 : Enlarged
- 2.4 : Perspective
- 2.5 : Enlarged
- 2.6 : Enlarged
- 2.7 : Front
- 2.8 : Right
- 2.9 : Top
- 2.10 : Bottom
- 2.11 : Exploded
- 2.12 : Perspective
- 4.1: Perspective
- 4.2: Perspective
- 4.3 : Front
- 4.4 : Right
- 4.5 : Top
- 4.6 : Bottom
- 4.7 : Exploded
- 4.8 : Exploded

Reproductions 2.2 and 2.3 are enlarged views of reproduction 2.1; reproductions 2.5 and 2.6 are enlarged views of reproduction 2.4; reproduction 2.12 shows an accessory (highlighted in green color). Features shown in the color green represent environment and form no part of the claimed design.

(57) **CLAIM**

The ornamental design for a painters' palette, as shown and described.

**1 Claim, 27 Drawing Sheets**  
**(1 of 27 Drawing Sheet(s) Filed in Color)**



(56)

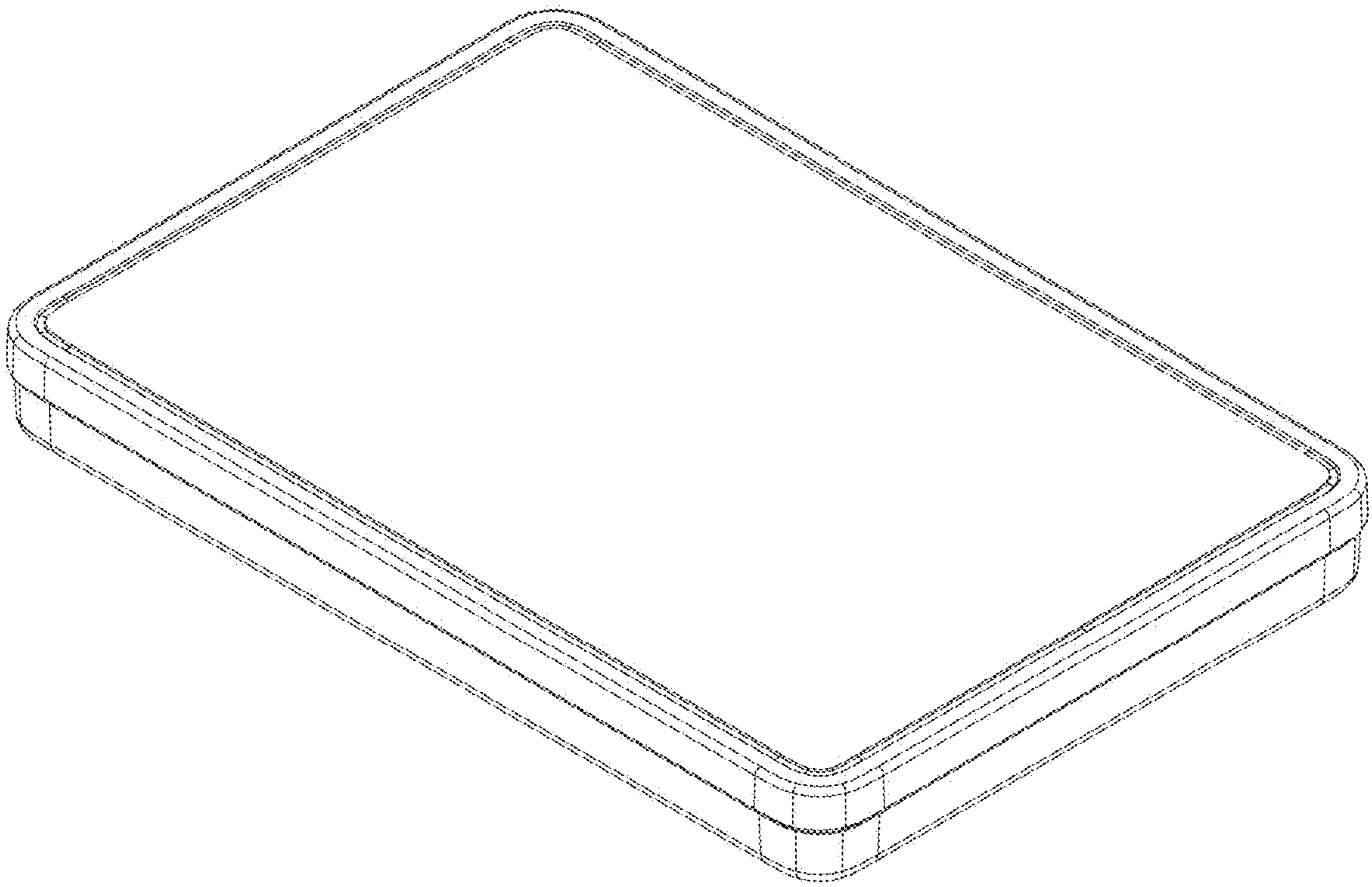
**References Cited**

U.S. PATENT DOCUMENTS

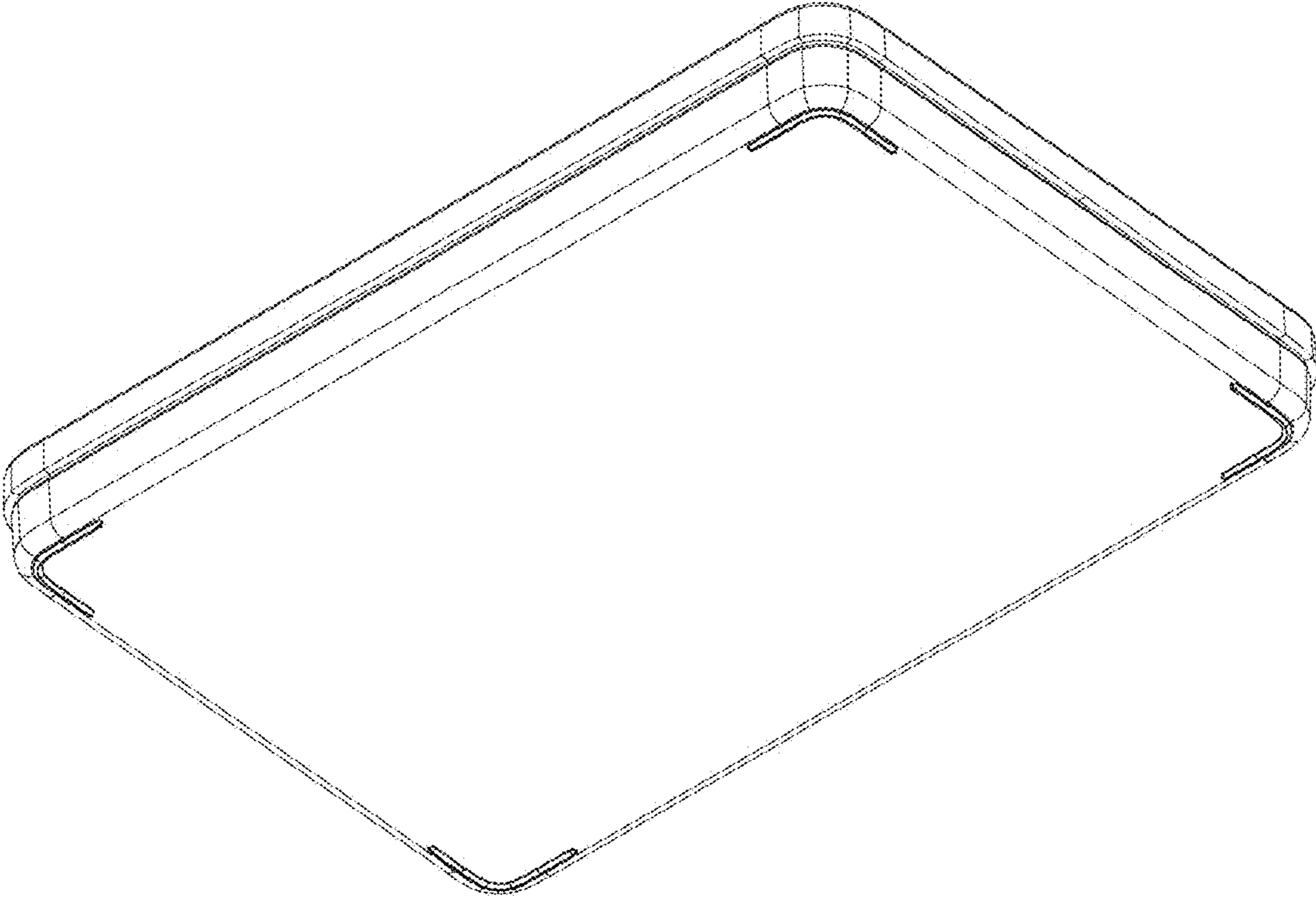
4,142,627	A	*	3/1979	Szegi	.....	B44D 3/02
						D19/103
D264,096	S	*	4/1982	Jones	.....	D7/541
D311,210	S	*	10/1990	Bottcher	.....	D19/103
D347,654	S	*	6/1994	Koves	.....	D19/103
D356,471	S	*	3/1995	Corsi	.....	D19/103
D368,736	S	*	4/1996	Massena	.....	D19/103
D443,299	S	*	6/2001	Harrison	.....	D19/103
D688,008	S	*	8/2013	Fama	.....	D19/103
D860,539	S	*	9/2019	Staab	.....	D28/83
D861,992	S	*	10/2019	Staab	.....	D28/83
D863,685	S	*	10/2019	Staab	.....	D28/83
D877,417	S	*	3/2020	Staab	.....	D28/83
D880,775	S	*	4/2020	Wong	.....	D28/76

\* cited by examiner

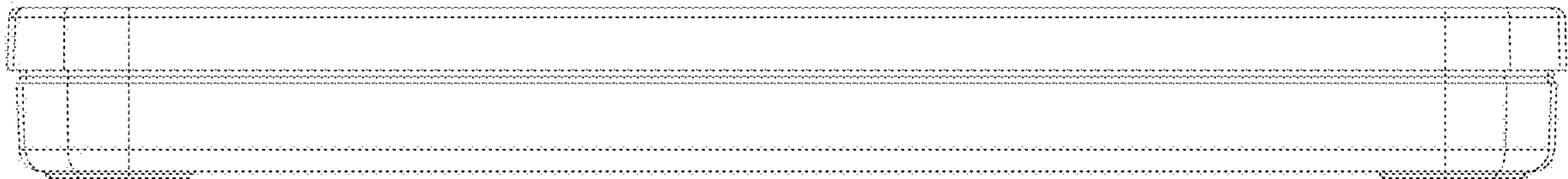
1.1



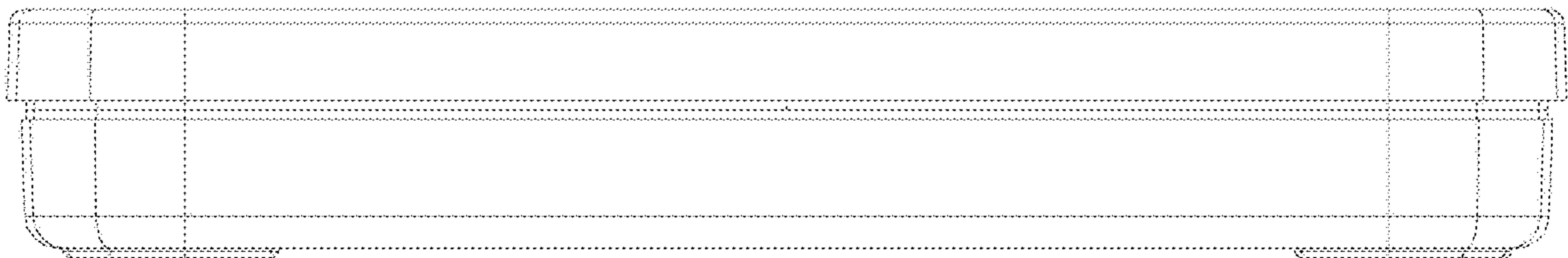
1.2



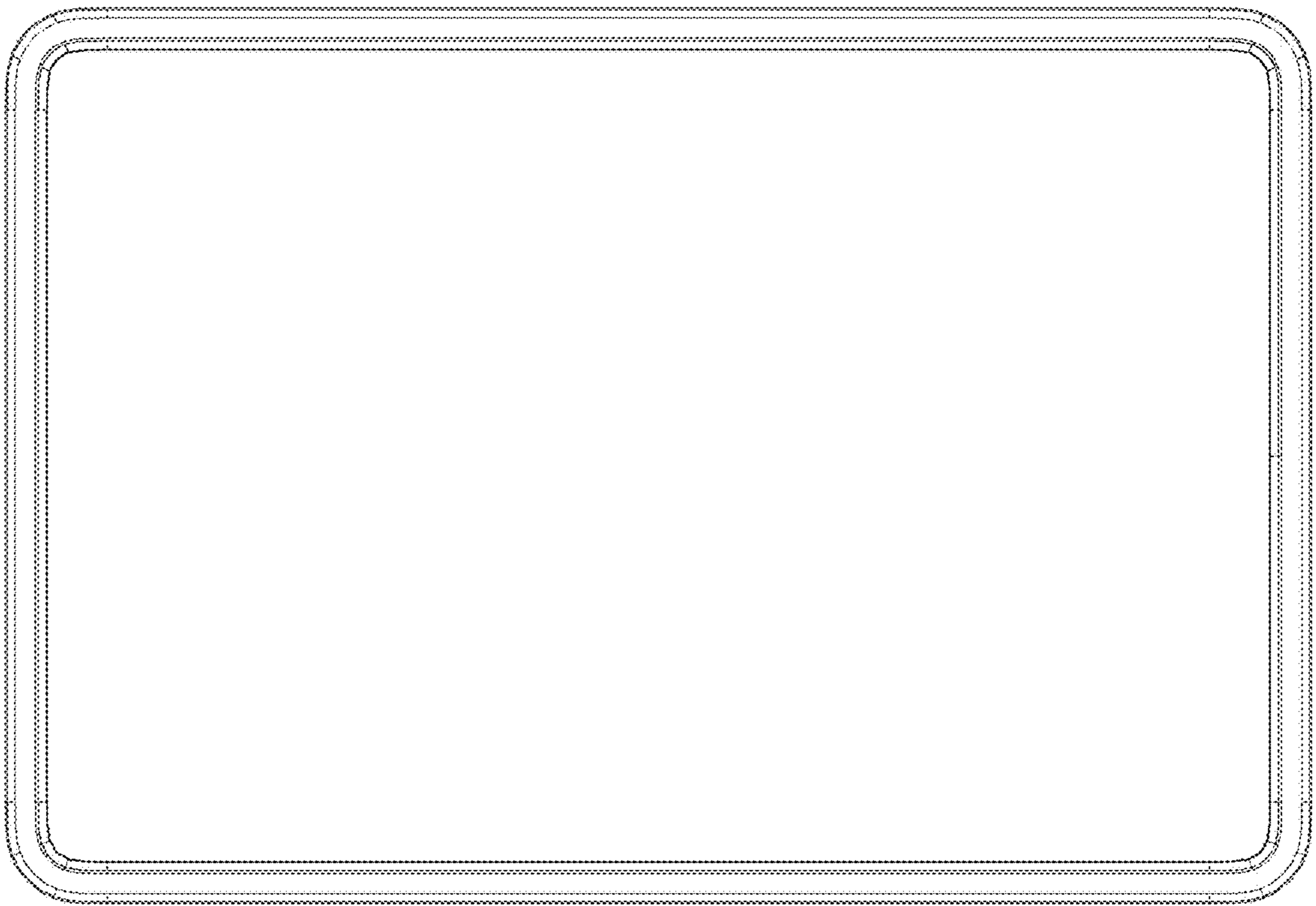
1.3



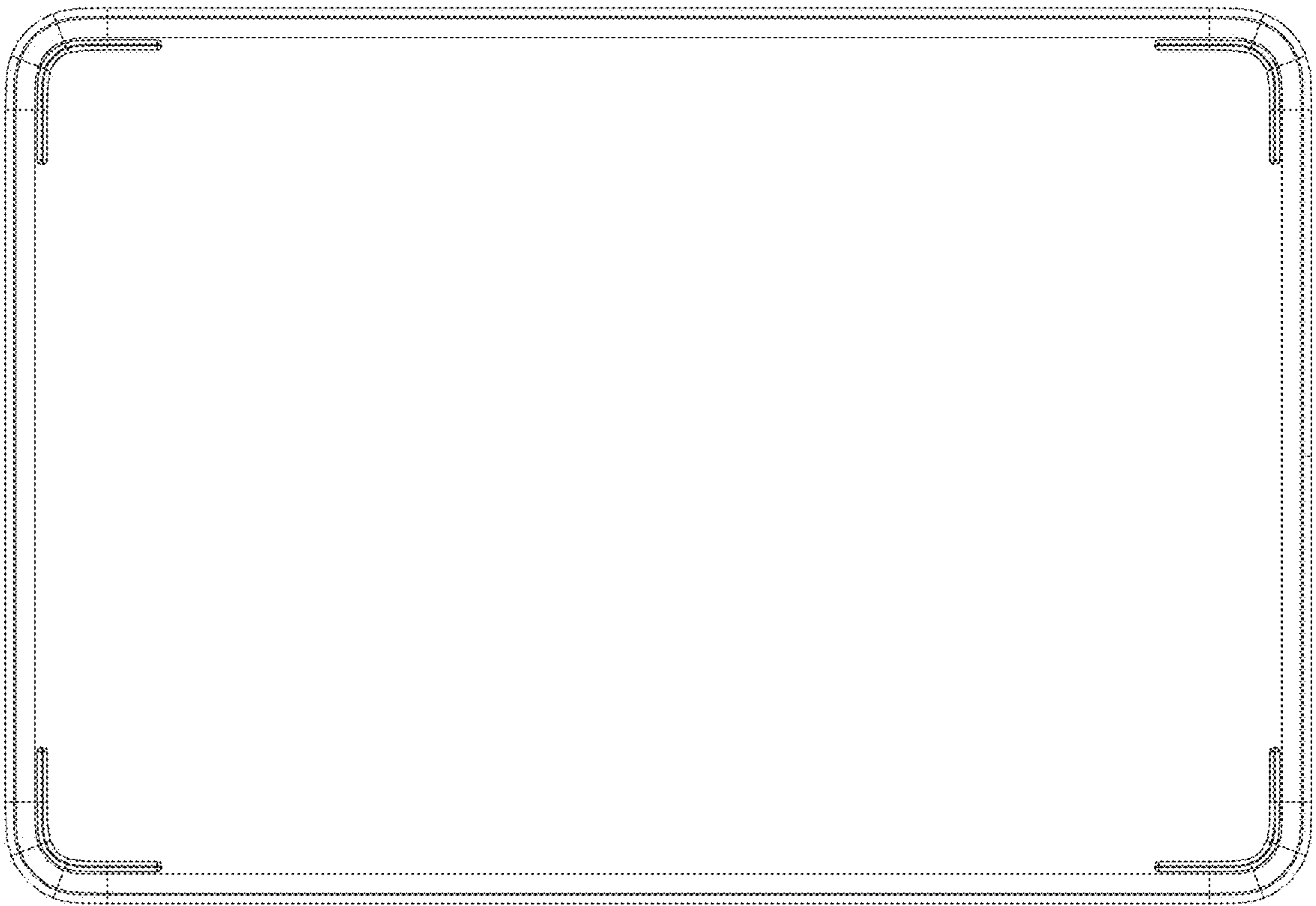
1.4



1.5

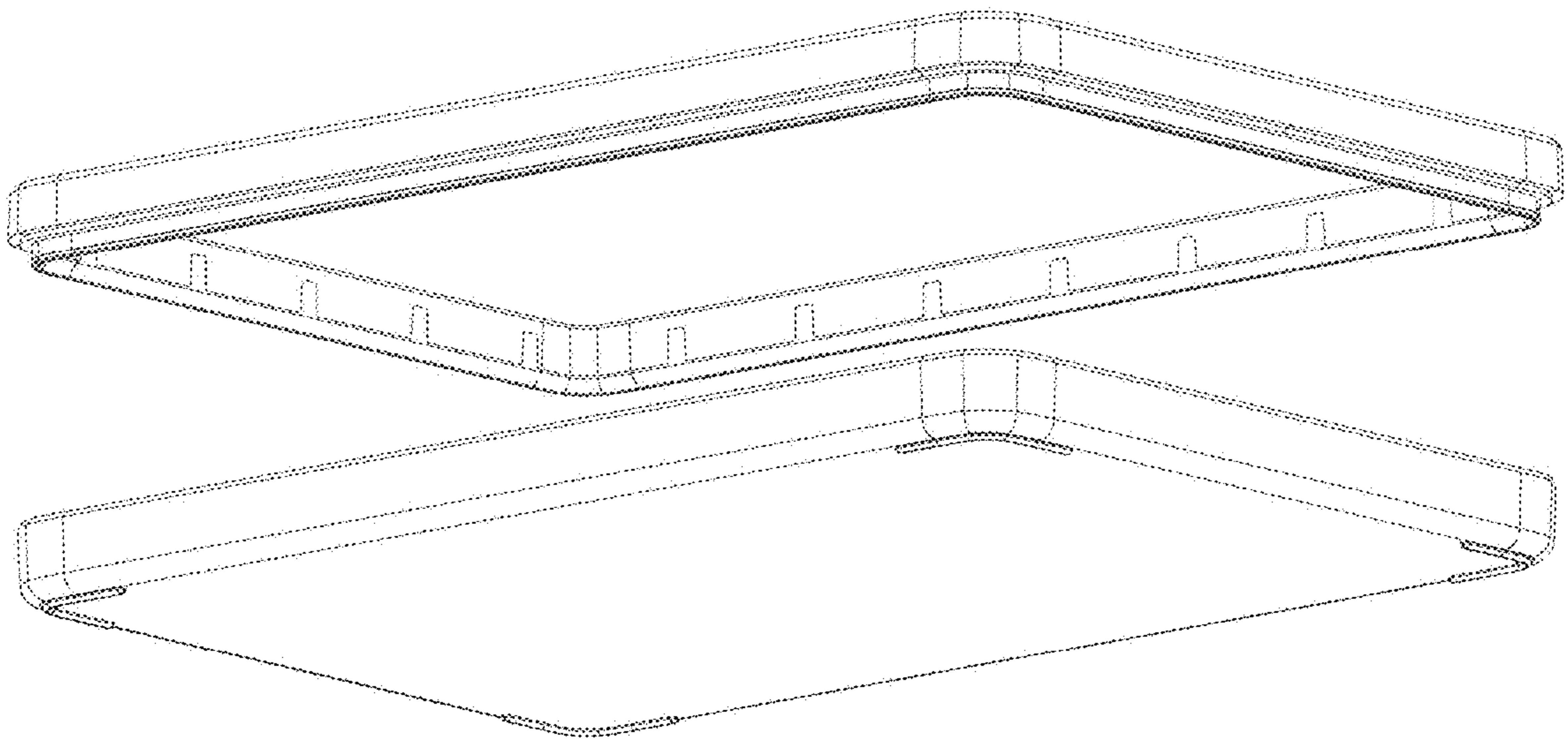


1.6

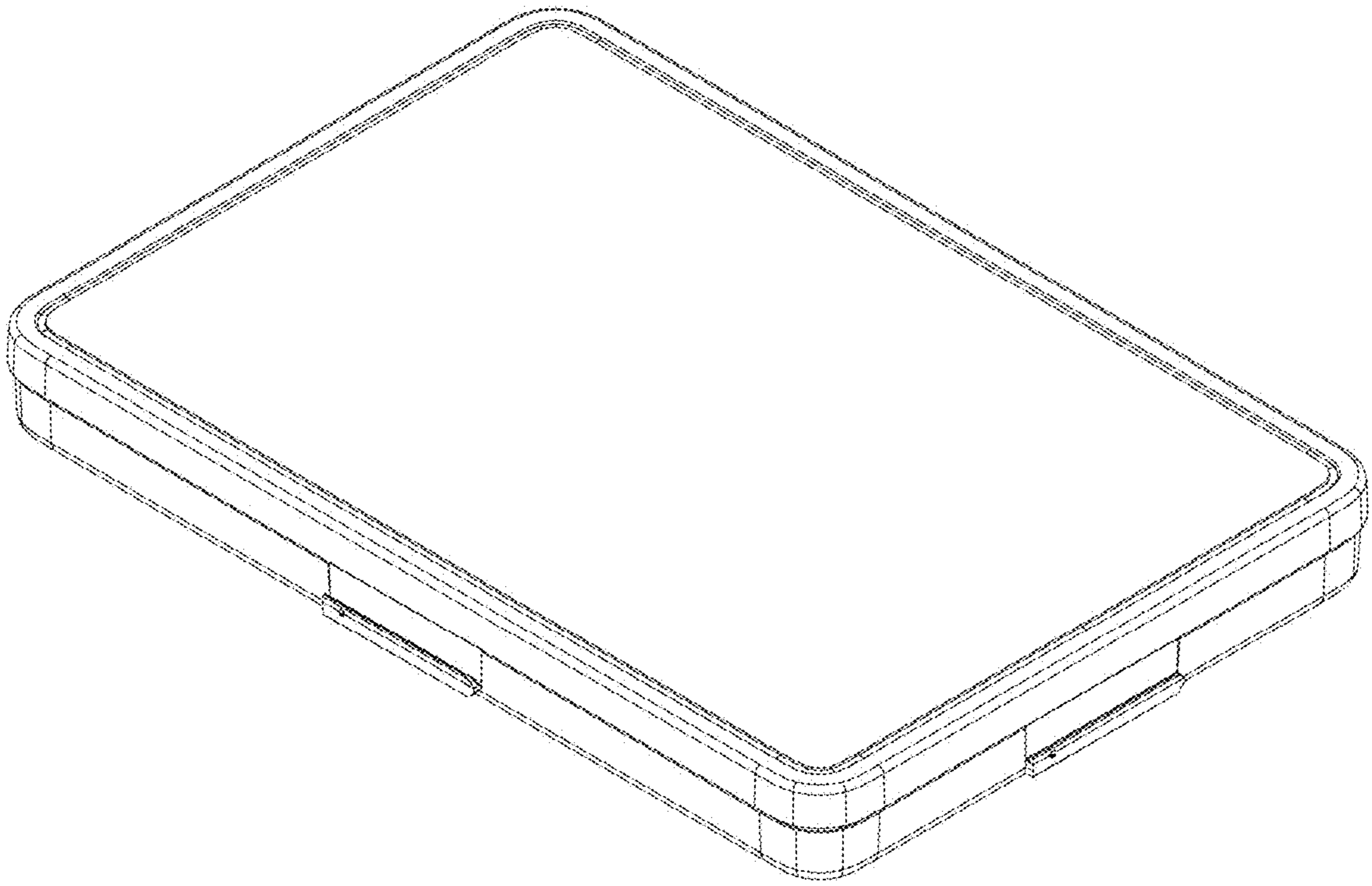


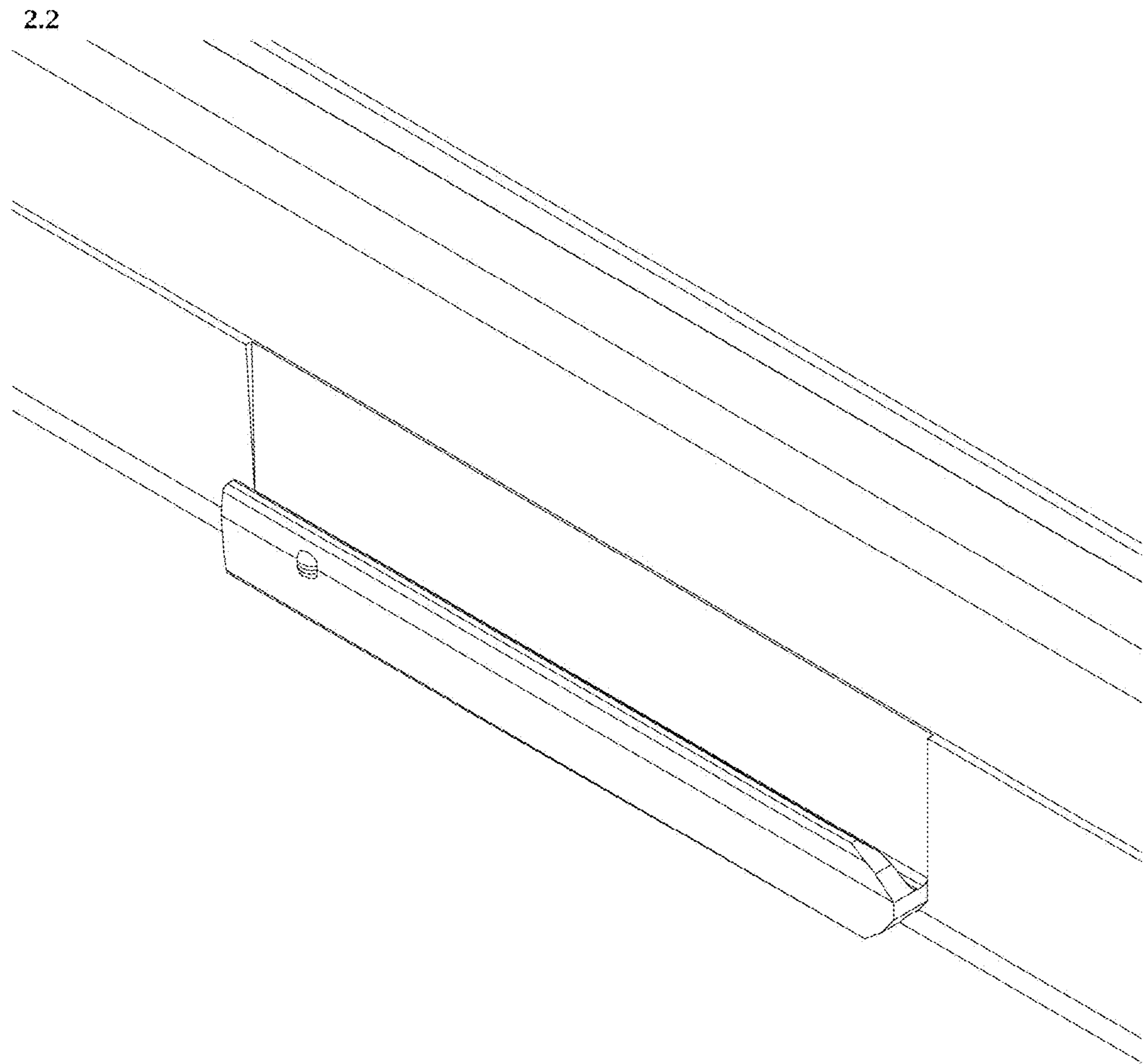


1.7

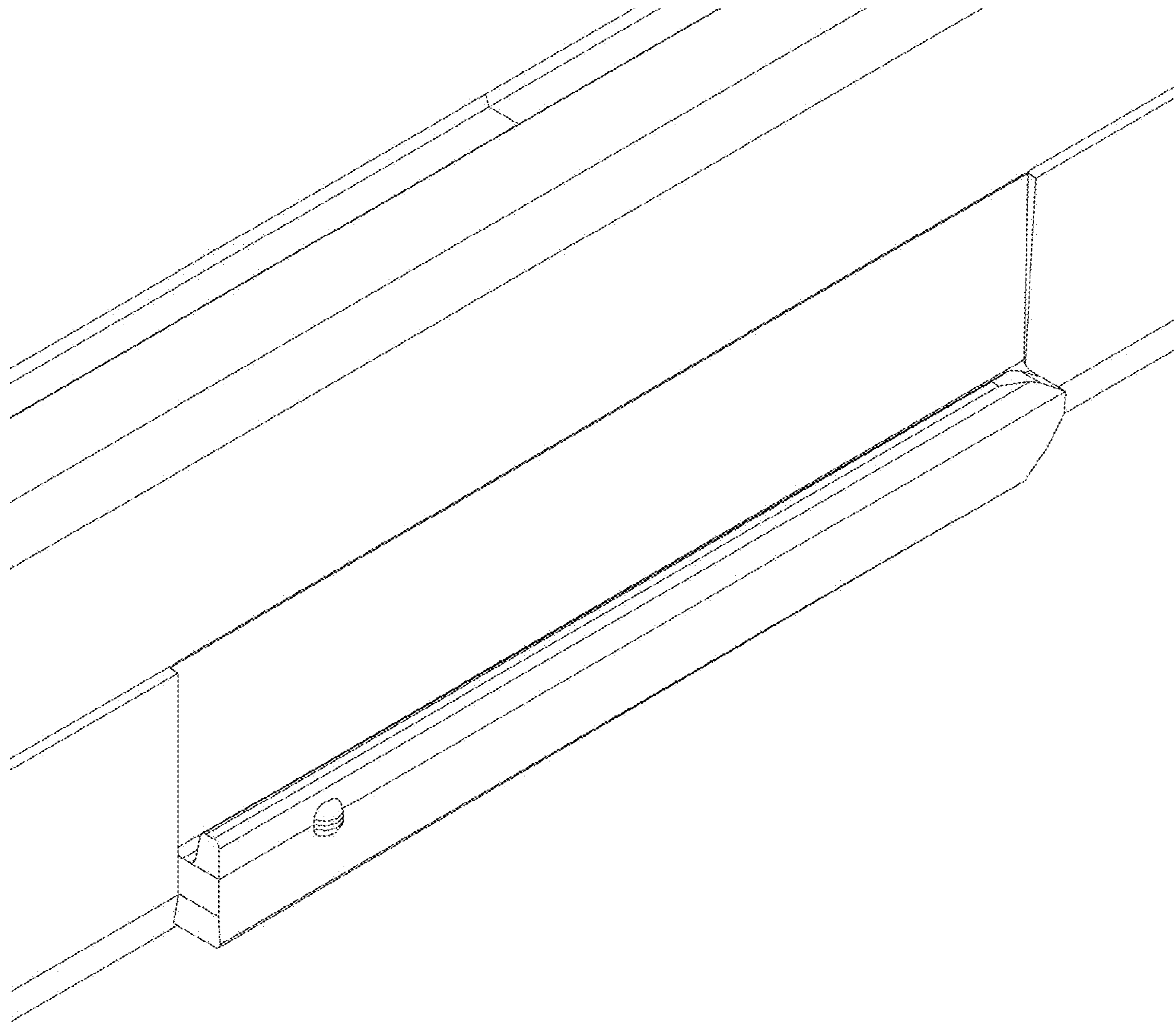


2.1

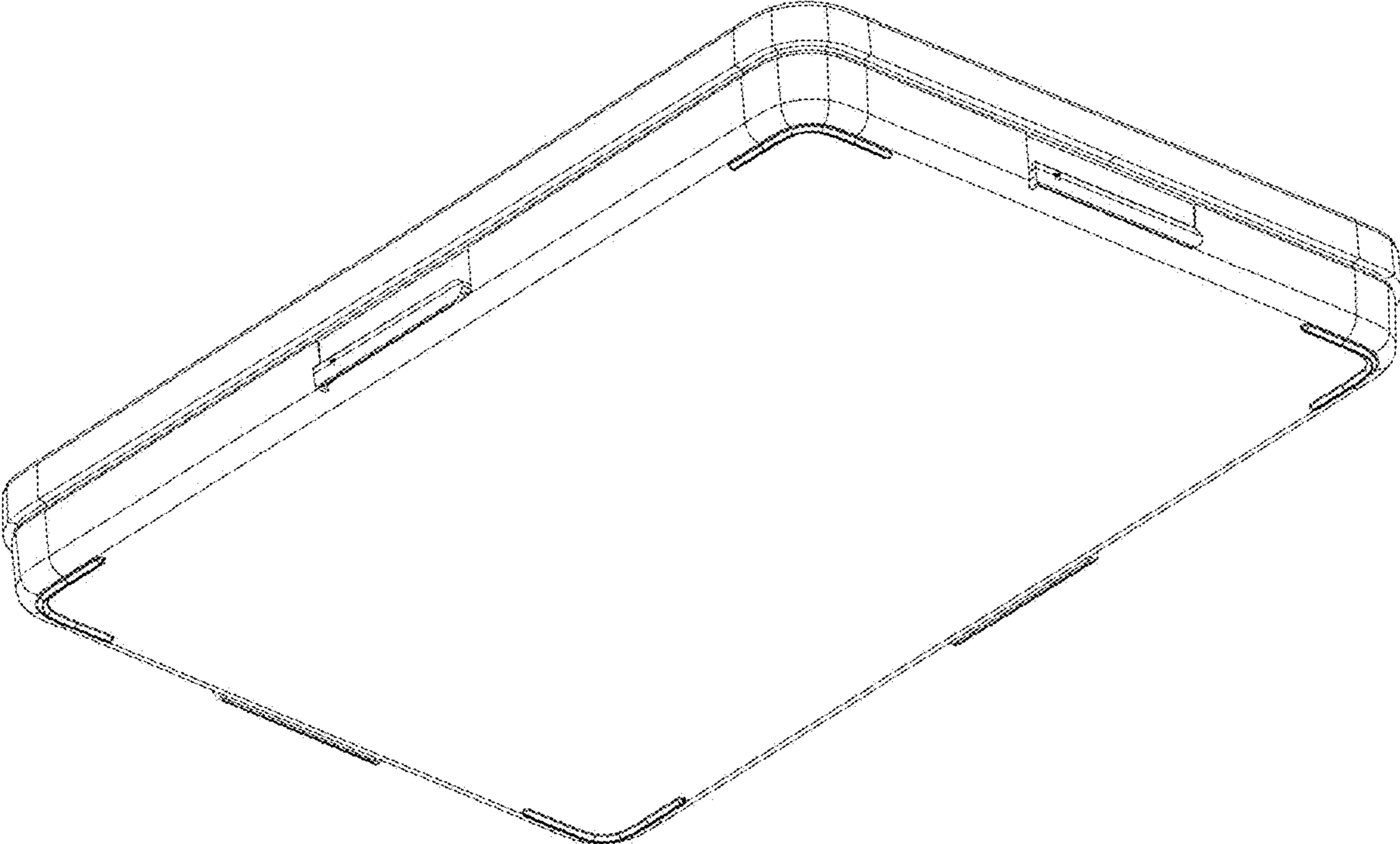




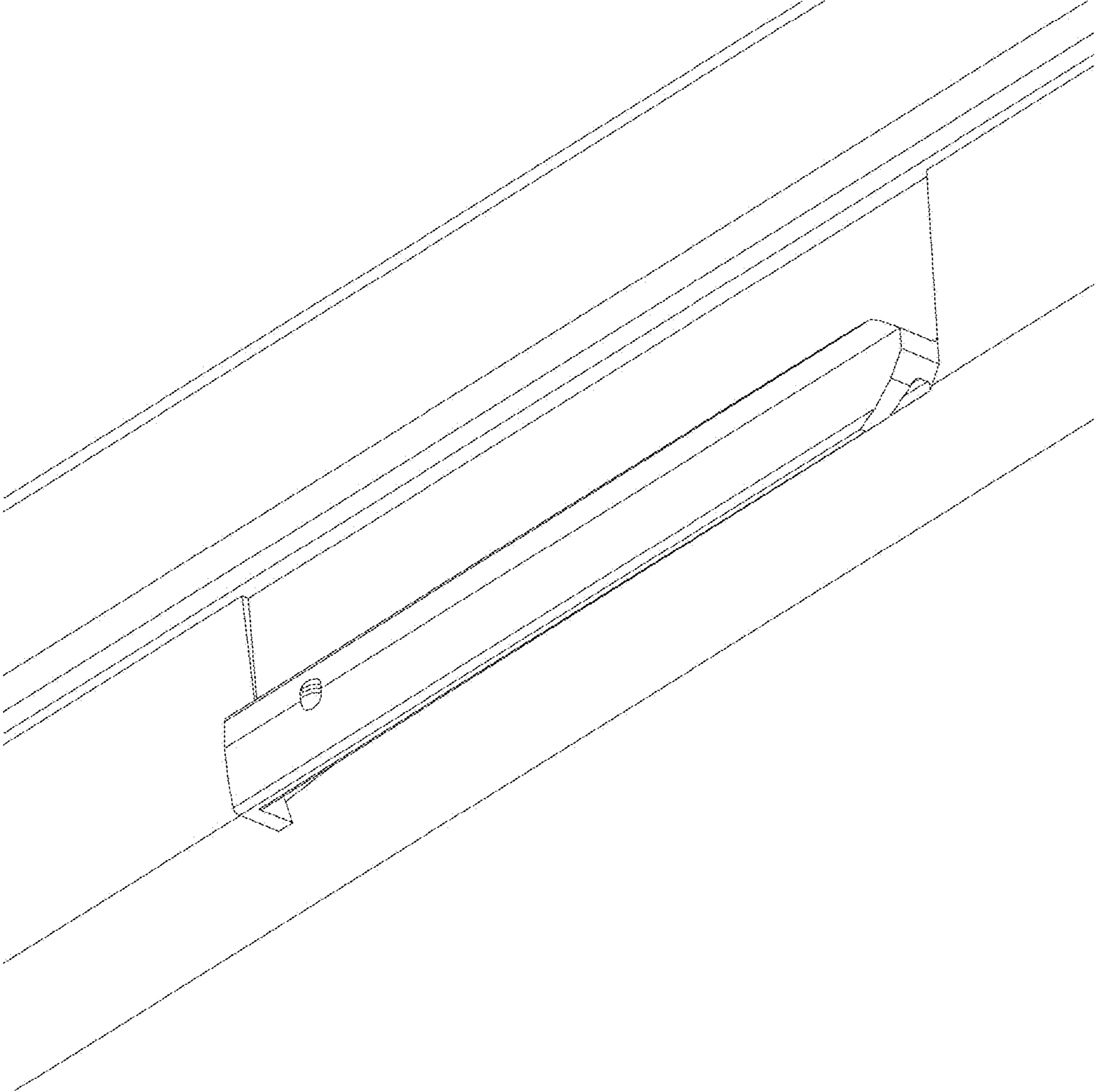
2.3



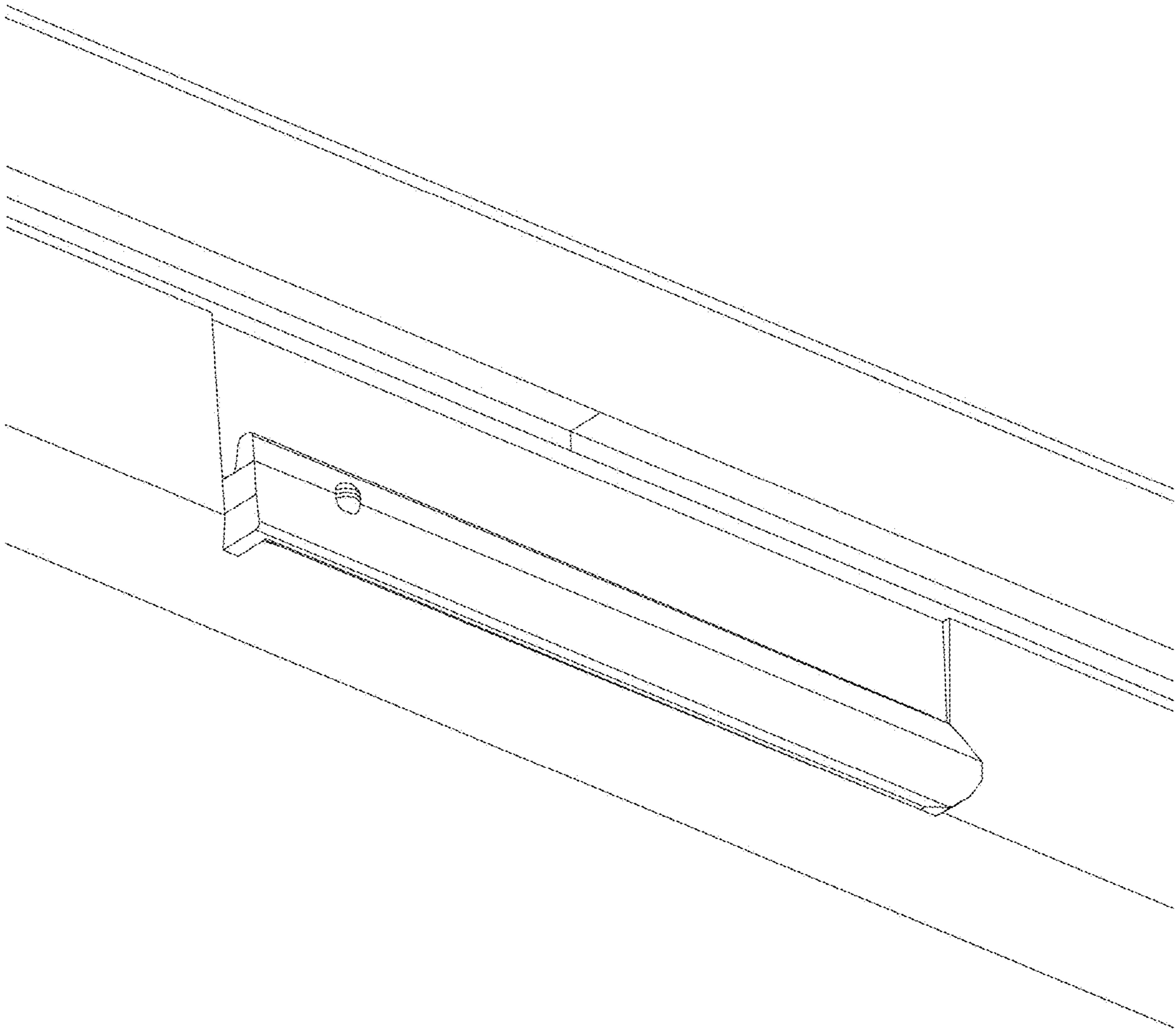
2.4



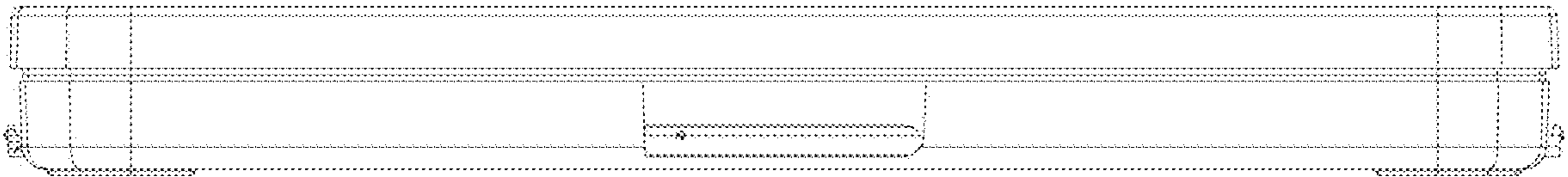
2.5



2.6

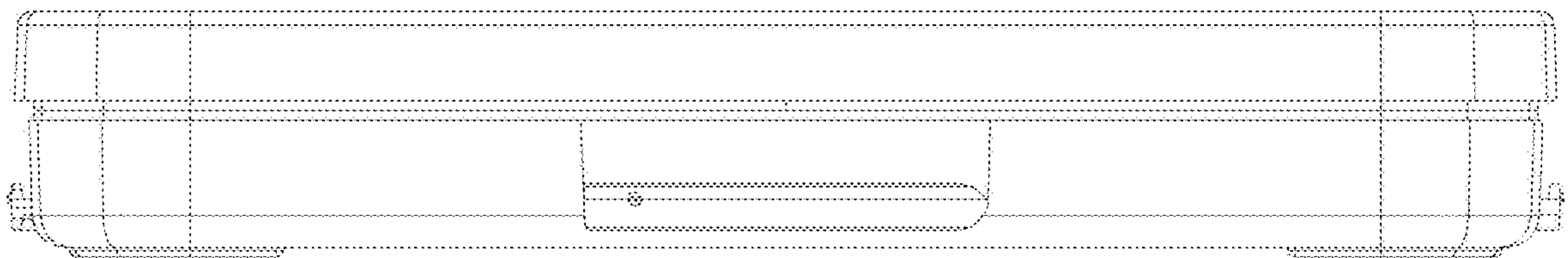


2.7

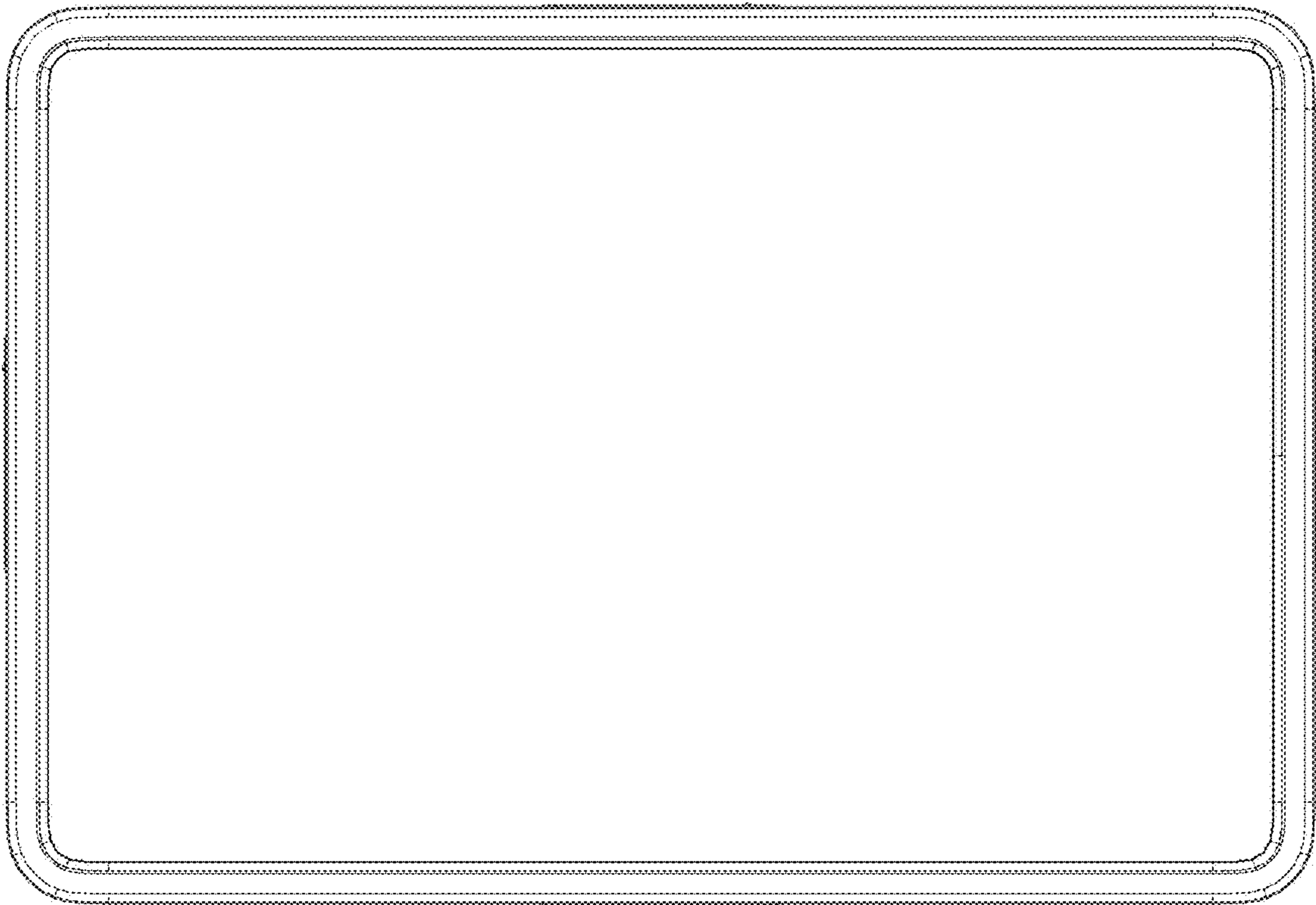




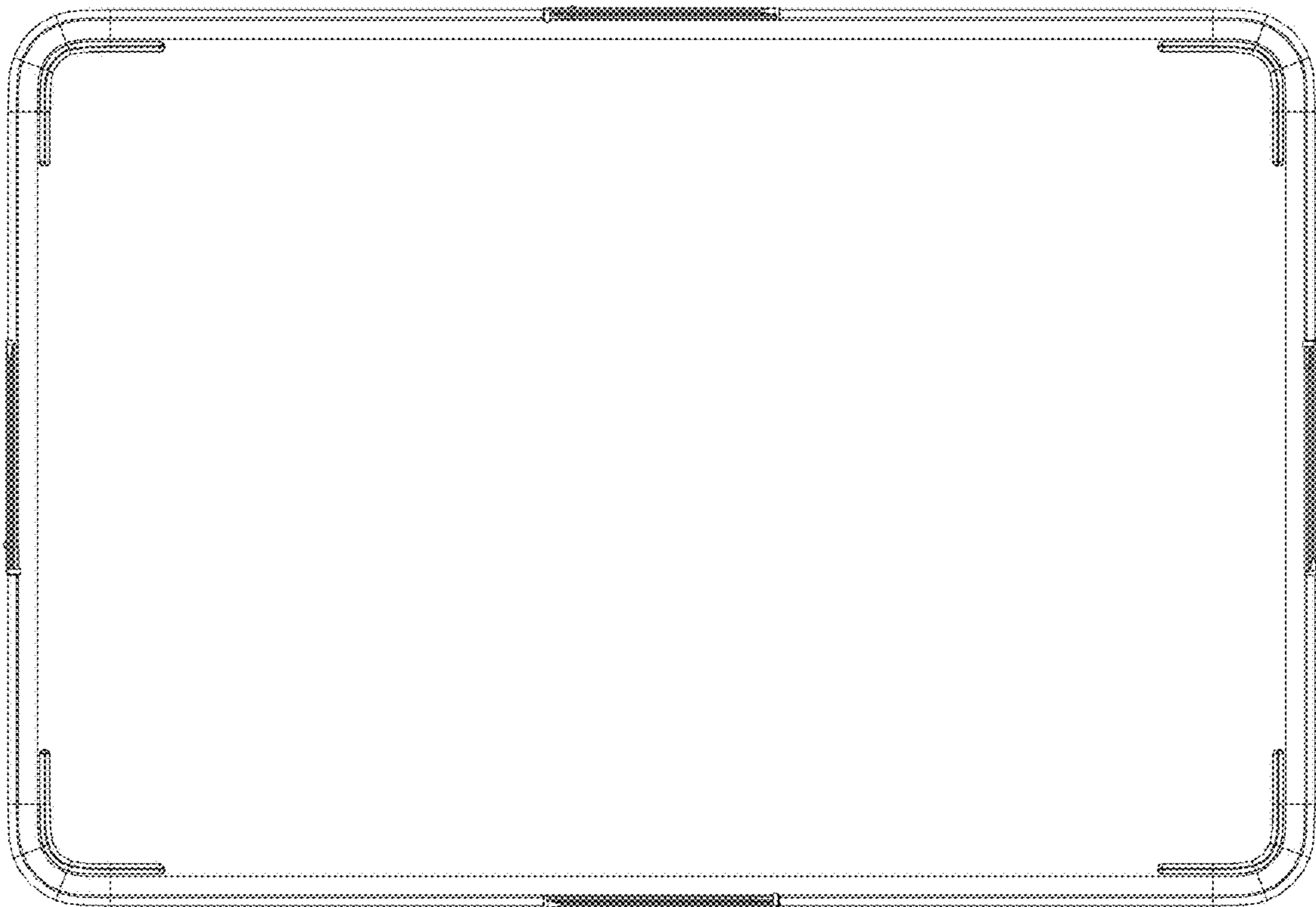
2.8



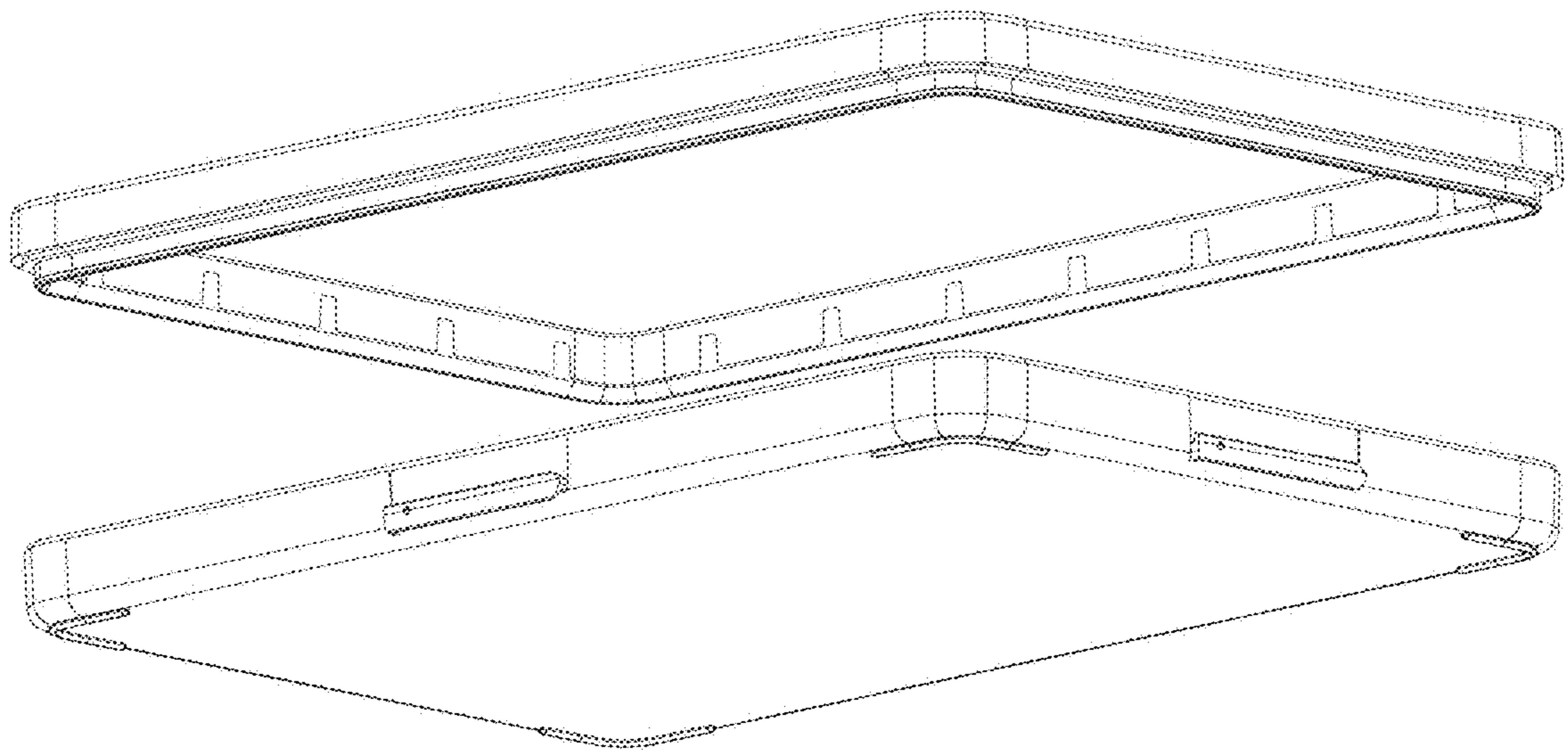
2.9



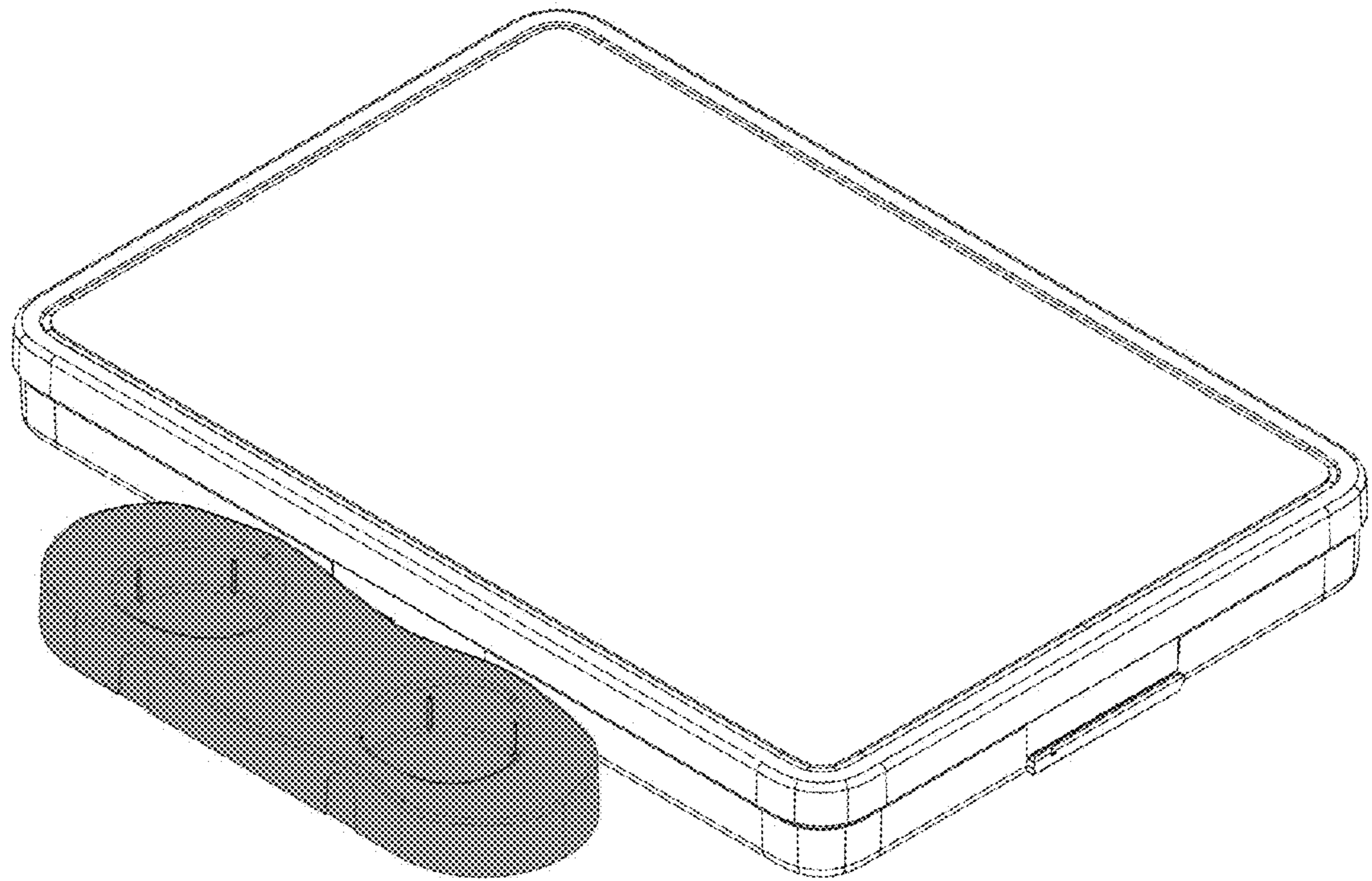
2.10



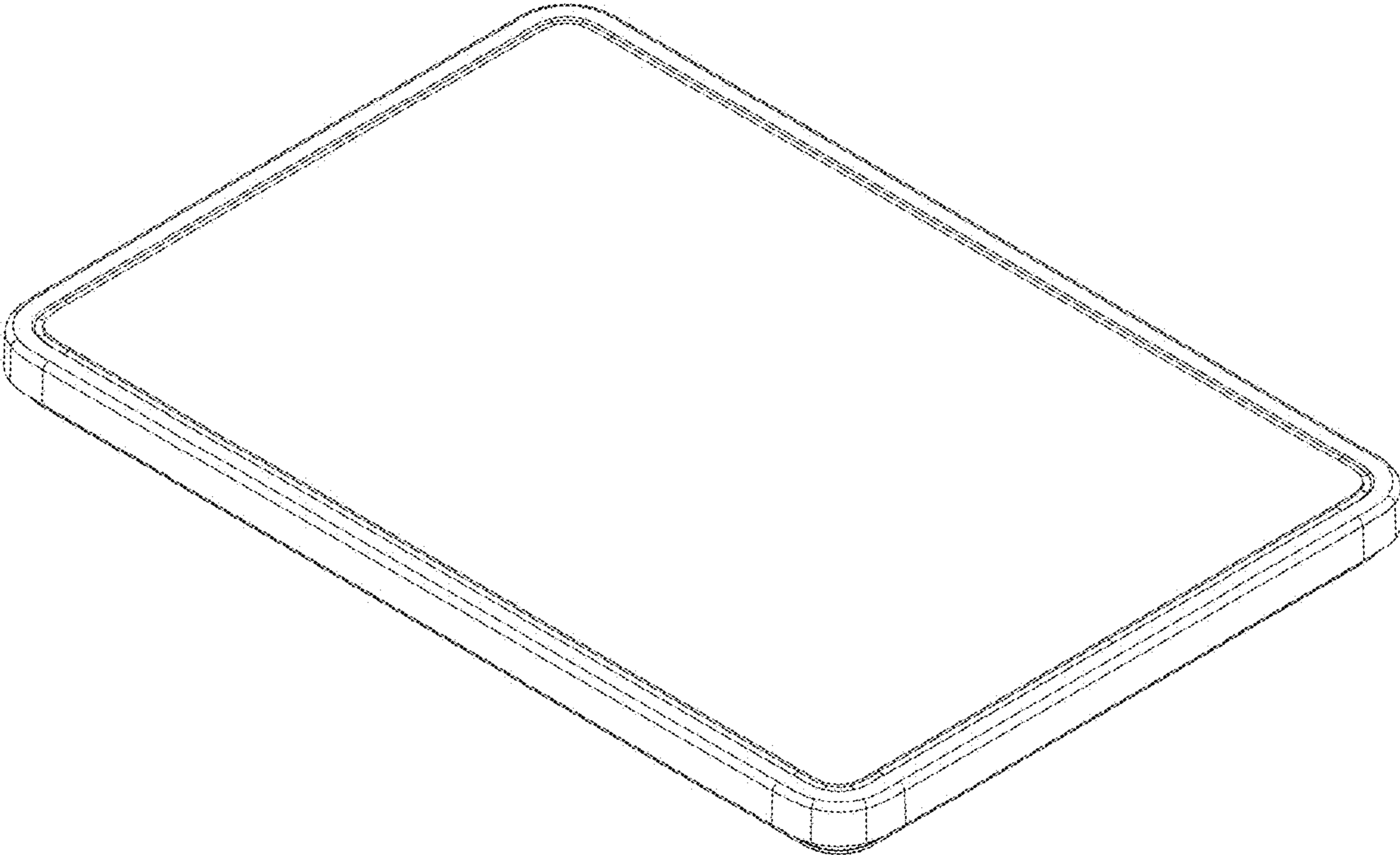
2.11



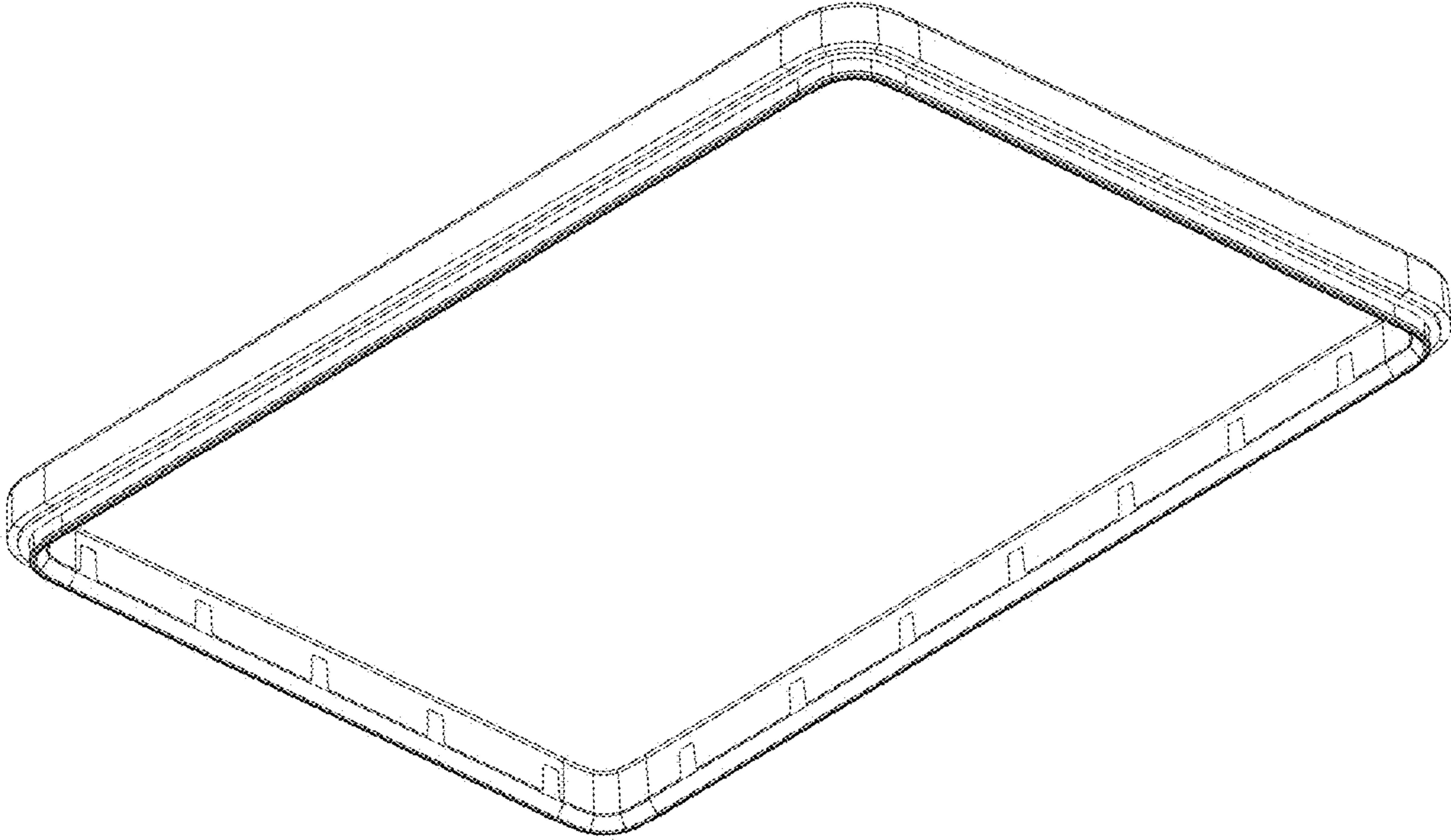
2.12



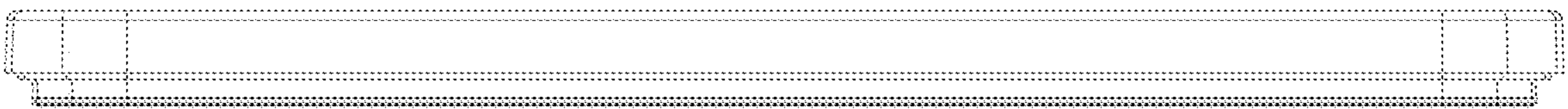
4.1



4.2

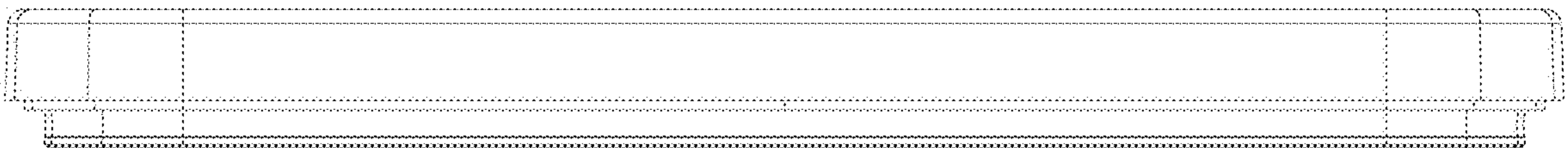


4.3

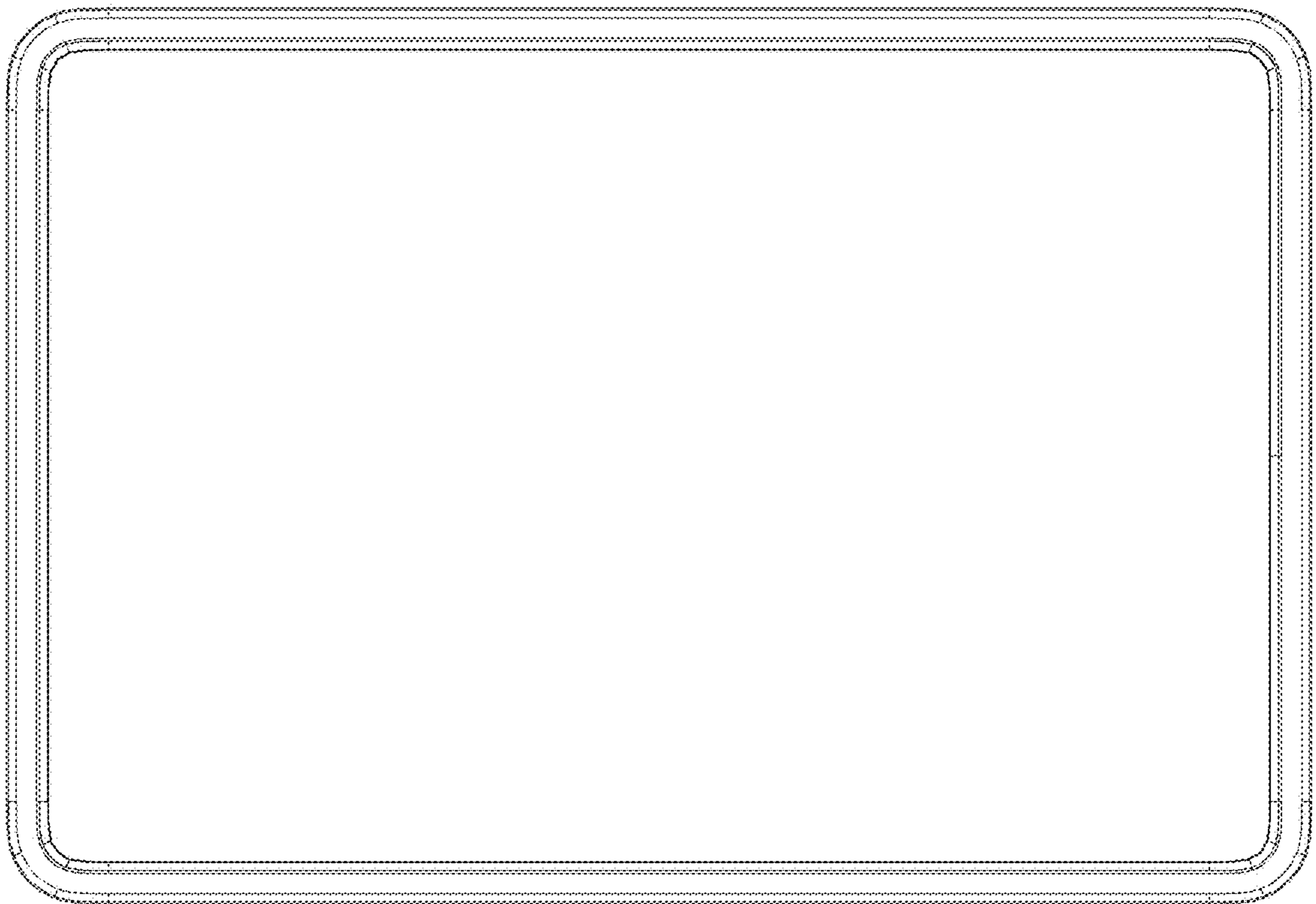




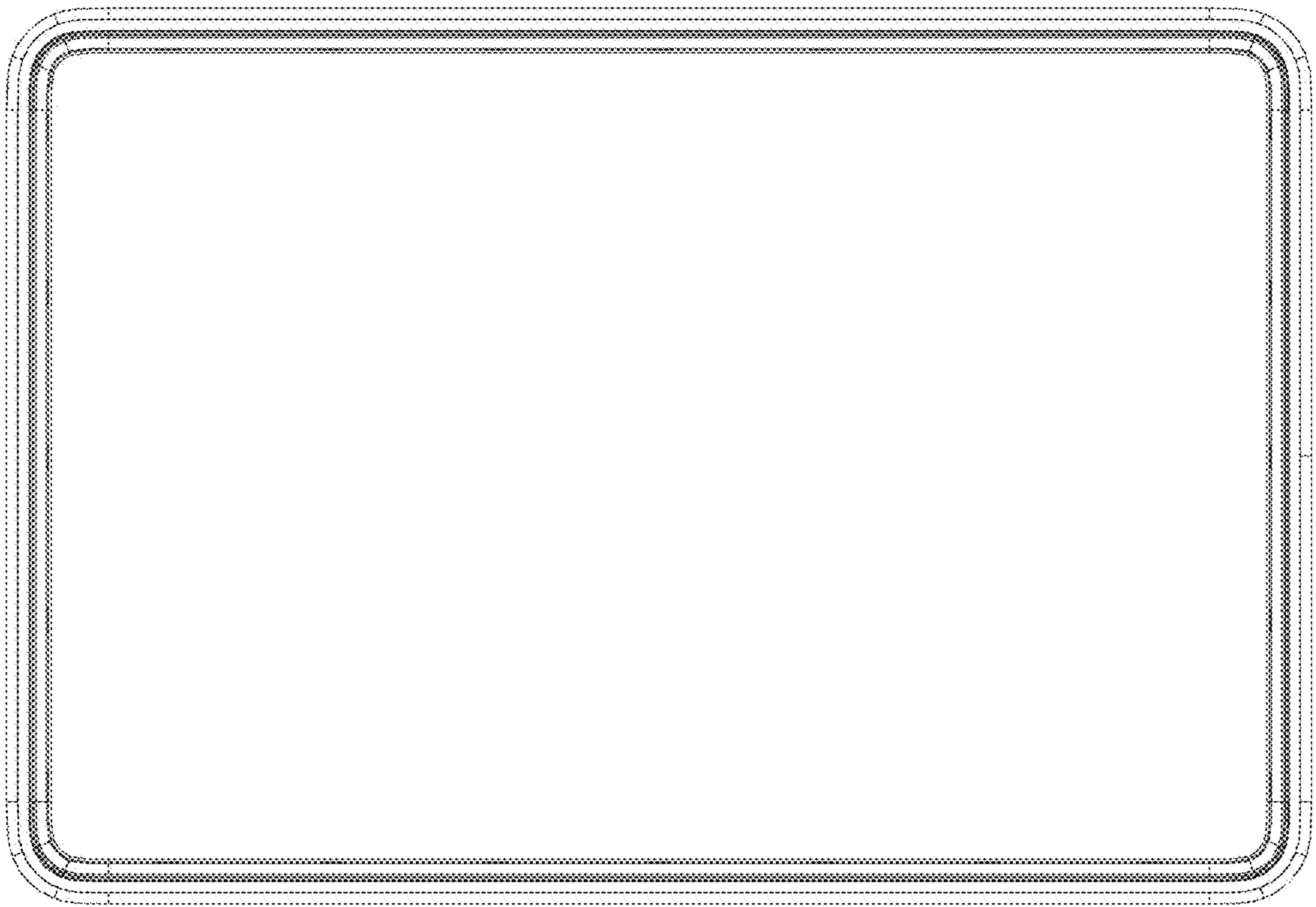
4.4



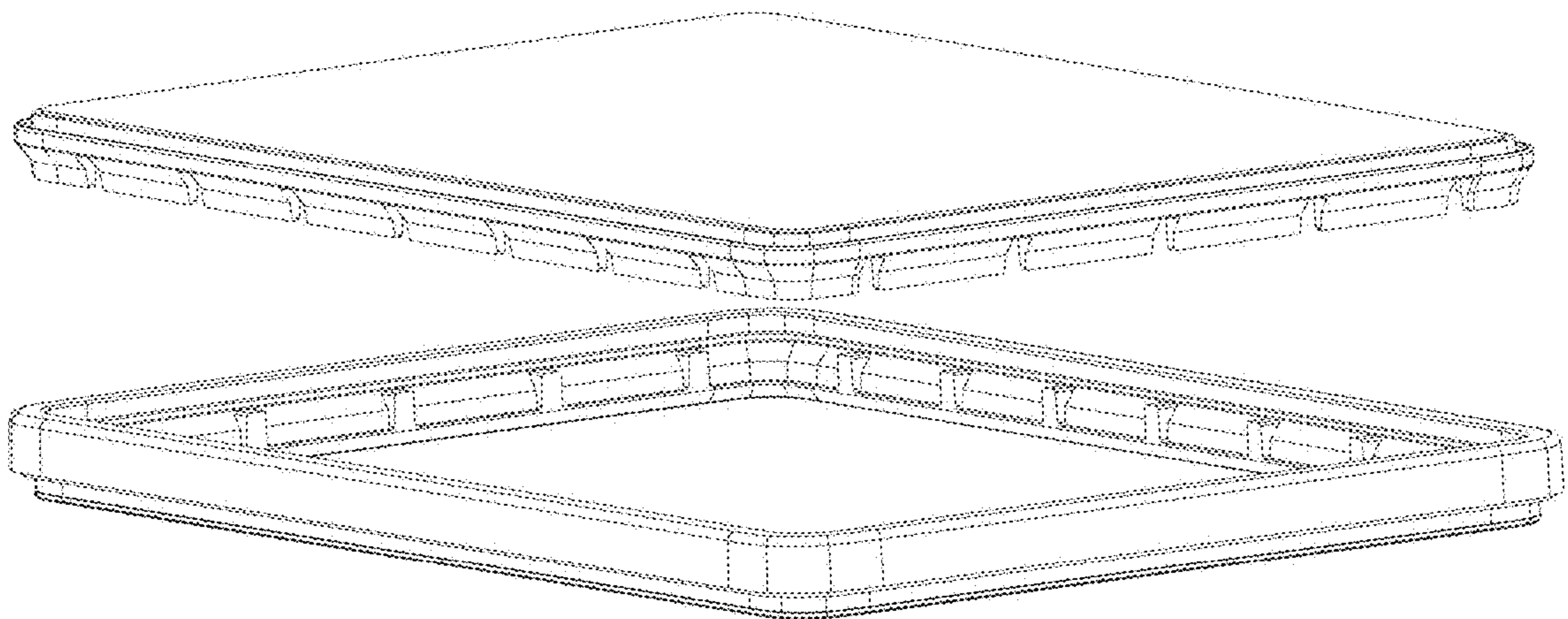
4.5



4.6



4.7



4.8

