



US00D977008S

(12) **United States Design Patent** (10) **Patent No.:** **US D977,008 S**
Woodcock (45) **Date of Patent:** **** Jan. 31, 2023**

(54) **ADHESIVE TAPE DISPENSER**
(71) Applicant: **David Harold Woodcock**, Blackpool (GB)
(72) Inventor: **David Harold Woodcock**, Blackpool (GB)
(**) Term: **15 Years**

(21) Appl. No.: **35/511,441**
(22) Filed: **Jan. 28, 2021**

(80) **Hague Agreement Data**
Int. Filing Date: **Jan. 28, 2021**
Int. Reg. No.: **DM/212714**
Int. Reg. Date: **Jan. 28, 2021**
Int. Reg. Pub. Date: **Feb. 26, 2021**

(51) **LOC (14) Cl.** **19-03**
(52) **U.S. Cl.**
USPC **D19/69**
(58) **Field of Classification Search**
USPC D19/65-69
CPC .. B65H 35/00; B65H 35/0006; B65H 35/002;
B65H 35/0026; B65H 35/0033; B65H
35/0053; B65H 35/0073; B65H 35/008;
B65H 35/06
See application file for complete search history.

(56) **References Cited**
U.S. PATENT DOCUMENTS
D150,498 S * 8/1948 Hazelton D19/69
D182,862 S * 5/1958 Wax D8/98

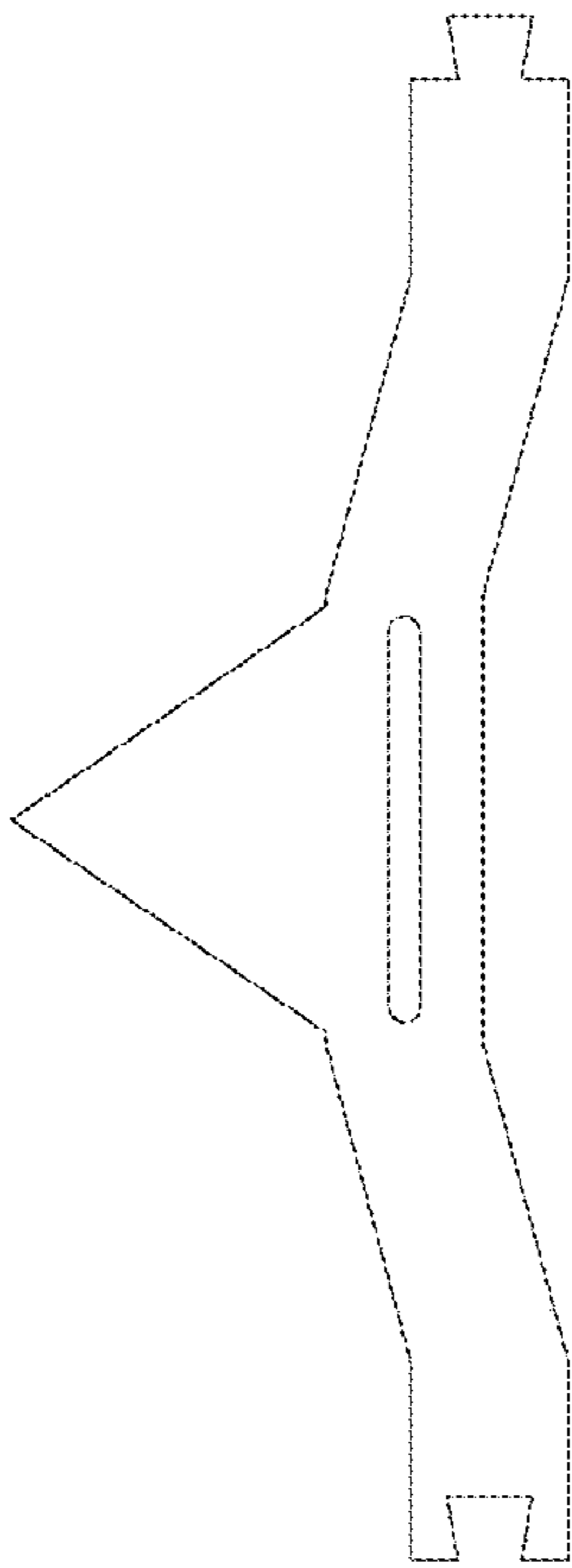
D306,875 S * 3/1990 Coccagna D8/395
D380,495 S * 7/1997 Black D19/86
D394,454 S * 5/1998 Williams D8/395
D437,613 S * 2/2001 Melnyk D19/86
D634,365 S * 3/2011 Martinez D19/65
D730,443 S * 5/2015 Lau D19/65
9,206,011 B1 * 12/2015 Mallahan, III B26F 3/02
D775,689 S * 1/2017 Lau D19/65
D862,591 S * 10/2019 Woodcock D19/69
D881,272 S * 4/2020 Woodcock D19/69

* cited by examiner
Primary Examiner — Khawaja Anwar

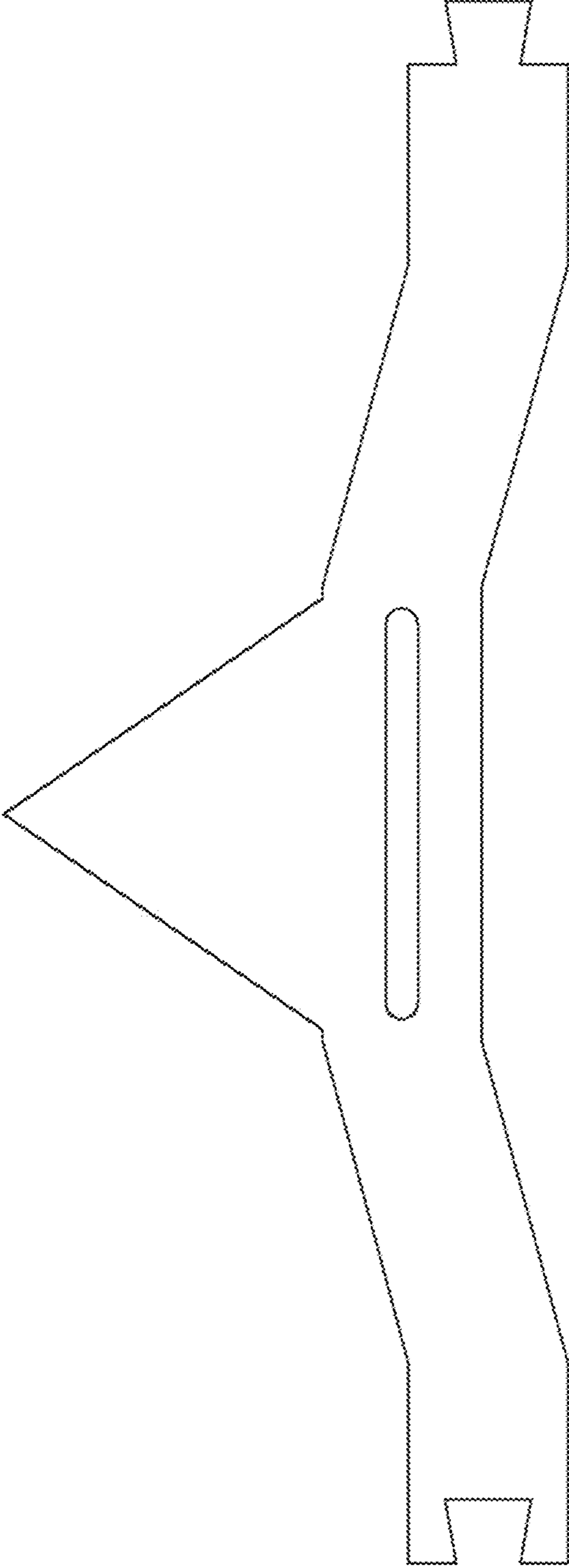
(57) **CLAIM**
The ornamental design for an adhesive tape dispenser, as shown and described.

DESCRIPTION
1. Adhesive tape dispenser
1.1 : Top
1.2 : Bottom
1.3 : Left
1.4 : Right
1.5 : Front
1.6 : Back
The subject consists of a flat rectangular body incorporating an elongated slot, with a triangular extension to a single trim point; side members extend laterally at an angle from each side of the body beyond a vee-shaped serration situated on the underside along the forming line; each side member also extends horizontally beyond a vee-shaped serration situated on the underside along the forming line; the left-hand member terminates with a female feature; the right-hand member terminates in a corresponding male feature.

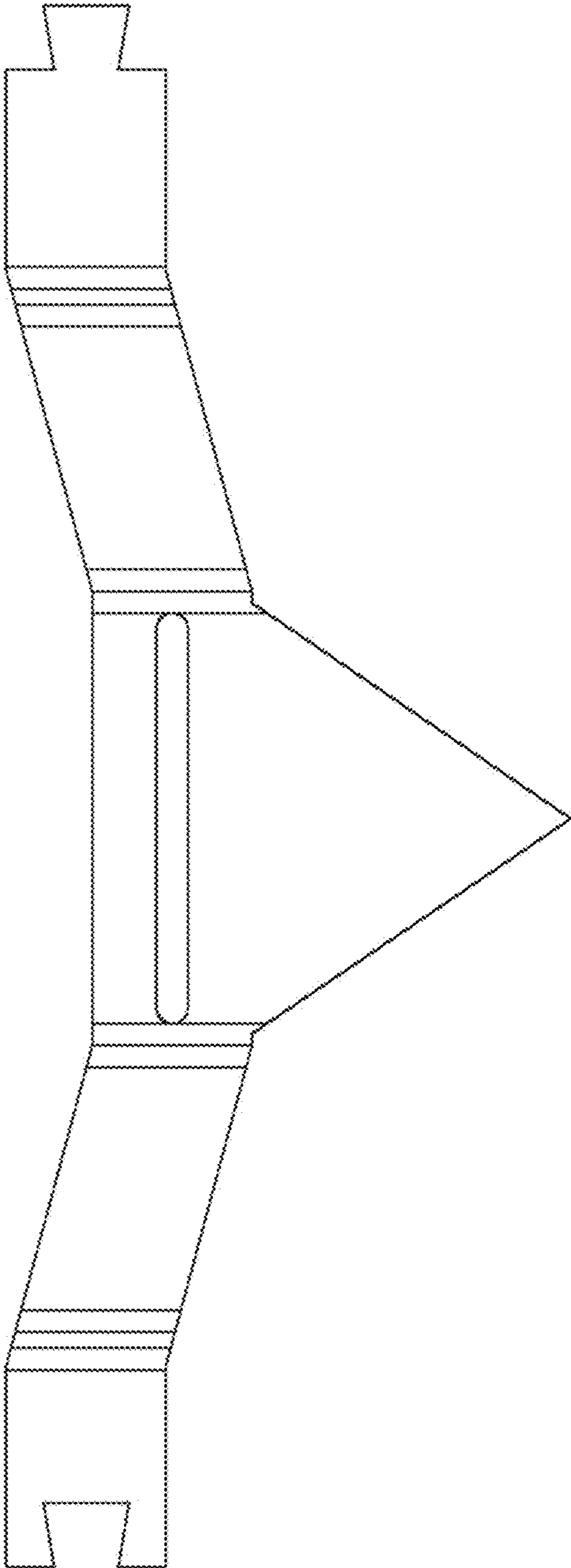
1 Claim, 6 Drawing Sheets



1.1



1.2



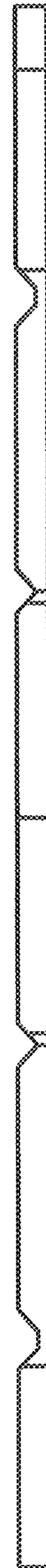
1.3



1.4



1.5



1.6

