



US00D977005S

(12) **United States Design Patent** (10) **Patent No.:** **US D977,005 S**  
**Shreve** (45) **Date of Patent:** **\*\* Jan. 31, 2023**

(54) **ANATOMICAL TEACHING MODEL**

(71) Applicant: **Coloplast A/S**, Humlebaek (DK)

(72) Inventor: **Samuel M. Shreve**, Minneapolis, MN (US)

(73) Assignee: **Coloplast A/S**, Humlebaek (DK)

(\*\*) Term: **15 Years**

(21) Appl. No.: **29/690,720**

(22) Filed: **May 10, 2019**

(51) **LOC (14) Cl.** ..... **19-07**

(52) **U.S. Cl.**  
USPC ..... **D19/59; D24/215**

(58) **Field of Classification Search**  
USPC ..... D19/59-64; D24/211, 215  
CPC ..... G09B 23/34; G09B 23/32; G09B 19/02;  
G09B 19/00; G09B 9/00; G09B 23/26;  
G09B 23/30; G09B 23/285; G09B  
23/303; G06C 1/00; G06N 99/005; G09F  
21/02

See application file for complete search history.

(56) **References Cited**

**U.S. PATENT DOCUMENTS**

- 5,573,499 A \* 11/1996 McAllister ..... A61H 19/44  
600/38
- 6,203,491 B1 \* 3/2001 Uribe ..... A61H 19/32  
600/38
- D466,218 S \* 11/2002 Dalton ..... D24/215
- D475,141 S \* 5/2003 Shin ..... D24/214
- D633,143 S \* 2/2011 Manieri ..... D19/59
- D925,053 S \* 7/2021 Callow ..... A61H 19/50  
D24/215
- D949,417 S \* 4/2022 Khubani ..... D24/215
- D949,423 S \* 4/2022 Lampert ..... D24/215
- 11,423,806 B2 \* 8/2022 Taylor ..... A61F 2/26
- 2011/0039241 A1 \* 2/2011 Gumkowski ..... A61B 17/326  
29/428

(Continued)

**FOREIGN PATENT DOCUMENTS**

CN 305860993 \* 6/2020  
EM 3736791 A1 \* 11/2020 ..... G09B 23/30

(Continued)

**OTHER PUBLICATIONS**

IPA healthcare. Link: <https://www.ipahealthcare.org/wp-content/uploads/2014/09/Male-Condom-Model.jpg>. Visited May 14, 2020. Male Condom Model—Z Each. (Year: 2020).\*

(Continued)

*Primary Examiner* — Lauren D McVey

(74) *Attorney, Agent, or Firm* — Coloplast Corp., Coloplast A/S; Nick Baumann

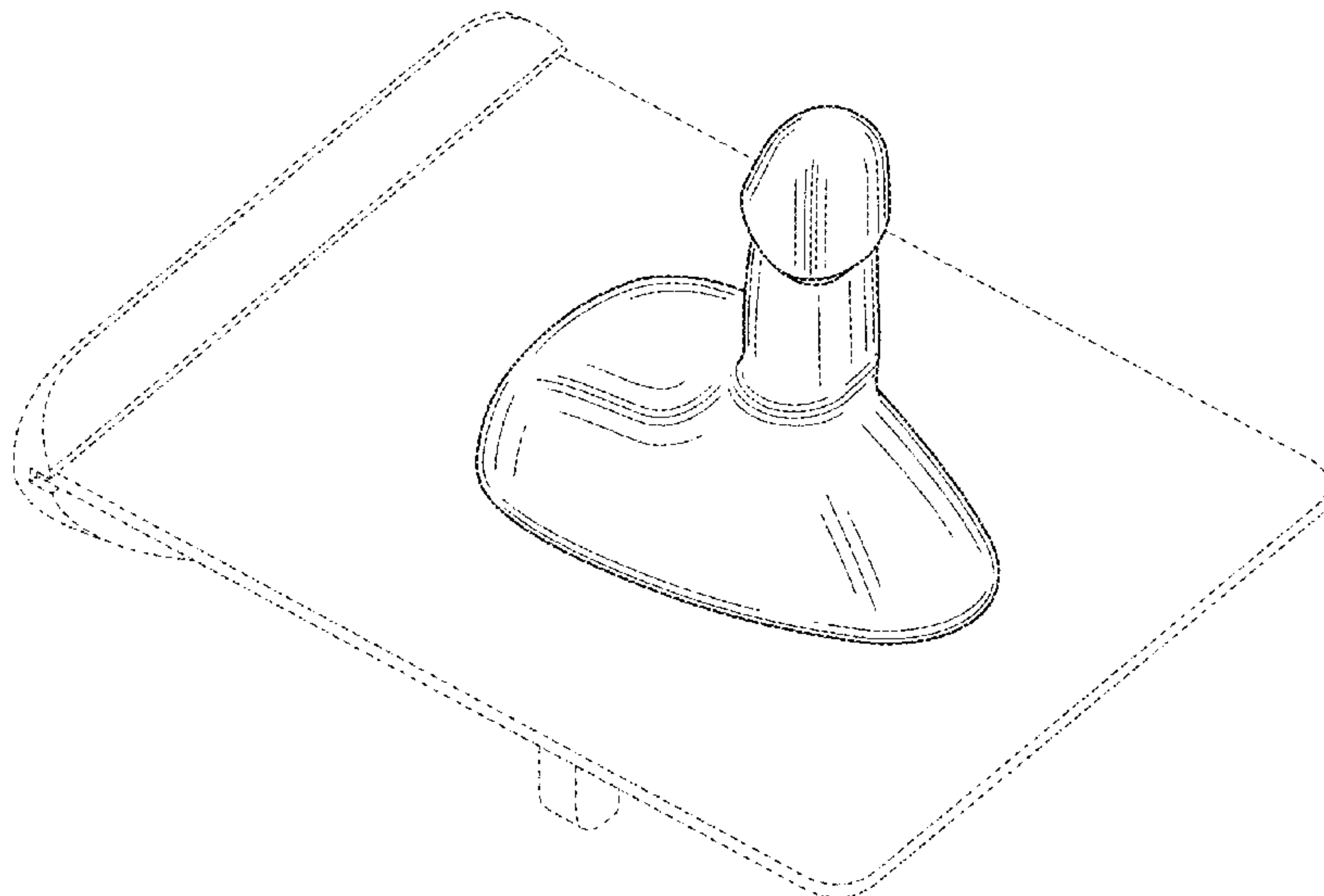
(57) **CLAIM**

The ornamental design for an anatomical teaching model, as shown and described.

**DESCRIPTION**

FIG. 1 is a perspective view of an anatomical teaching model.  
FIG. 2 is a right side view of the anatomical teaching model.  
FIG. 3 is a left side view of the anatomical teaching model.  
FIG. 4 is a top side view of the anatomical teaching model.  
FIG. 5 is a bottom side view of the anatomical teaching model.  
FIG. 6 is a front side view of the anatomical teaching model; and,  
FIG. 7 is a back side view of the anatomical teaching model.  
The broken lines are directed to environment and are for illustrative purposes only. The broken lines form no part of the claimed design.

**1 Claim, 7 Drawing Sheets**



(56)

**References Cited**

U.S. PATENT DOCUMENTS

2013/0192741 A1\* 8/2013 Trotta ..... B29C 39/123  
264/294  
2019/0287424 A1 9/2019 Taylor et al.  
2020/0357306 A1\* 11/2020 Shreve ..... G09B 23/34

FOREIGN PATENT DOCUMENTS

EM 006437570-0001 \* 12/2020  
GB 9006437570-0001 \* 5/2019

OTHER PUBLICATIONS

Naughty Wine Accessories. Link: <https://naughtywineaccessories.com/product/the-original-penis-pourer/>. Feb. 6, 2019. The Original Penis Pourer. (Year: 2019).\*

Solar Faith. Link: [https://solarfaith.com/products/3b-scientific-w19101-condom-training-model-5-7-height?variant=24688703963236&utm\\_campaign=gs-2019-02-12&utm\\_source=google&utm\\_medium=smart\\_campaign](https://solarfaith.com/products/3b-scientific-w19101-condom-training-model-5-7-height?variant=24688703963236&utm_campaign=gs-2019-02-12&utm_source=google&utm_medium=smart_campaign). Visited May 14, 2020. 3B Scientific W19101 Condom Training Model, 5.7 Height. (Year: 2020).\*

\* cited by examiner

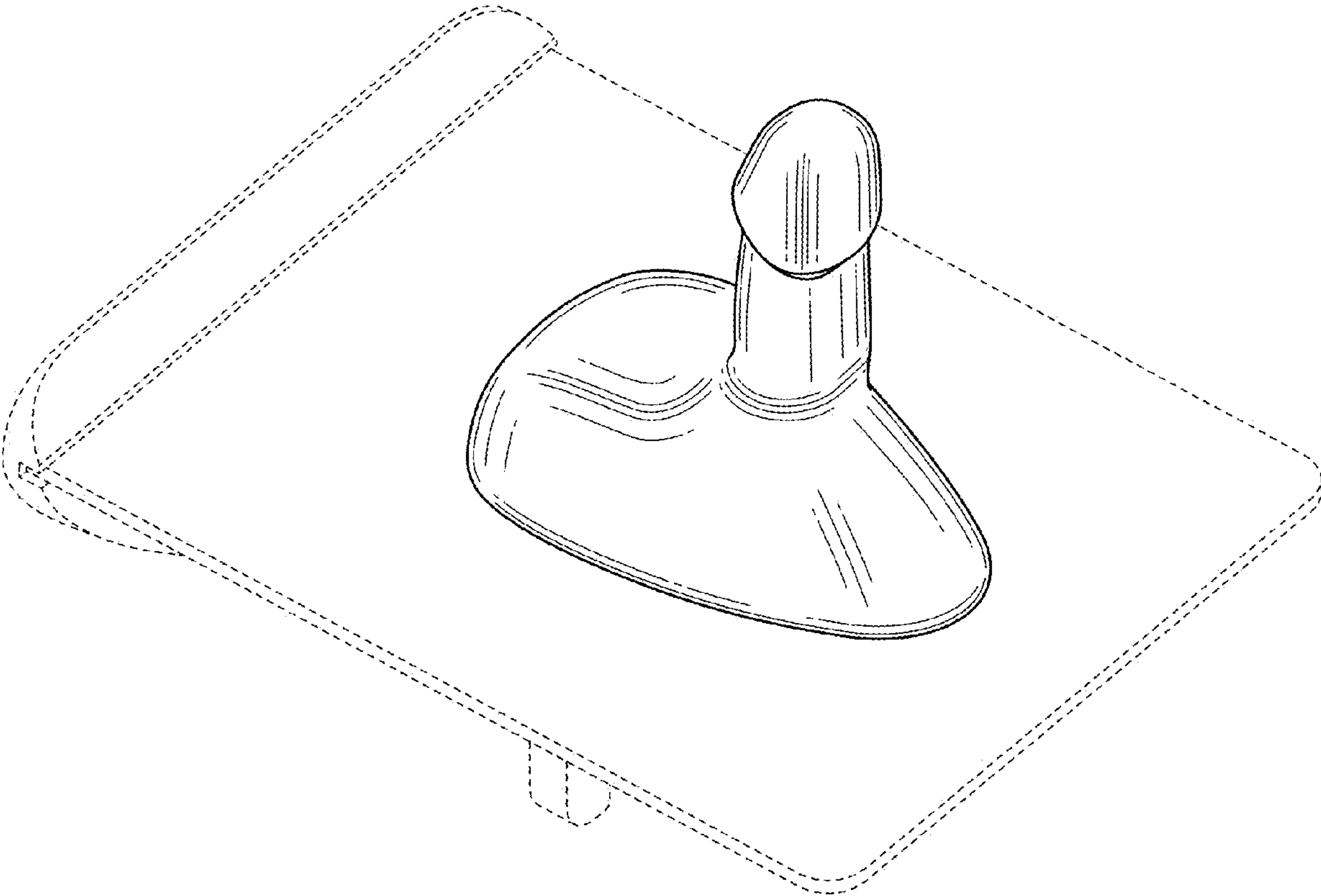


FIG. 1

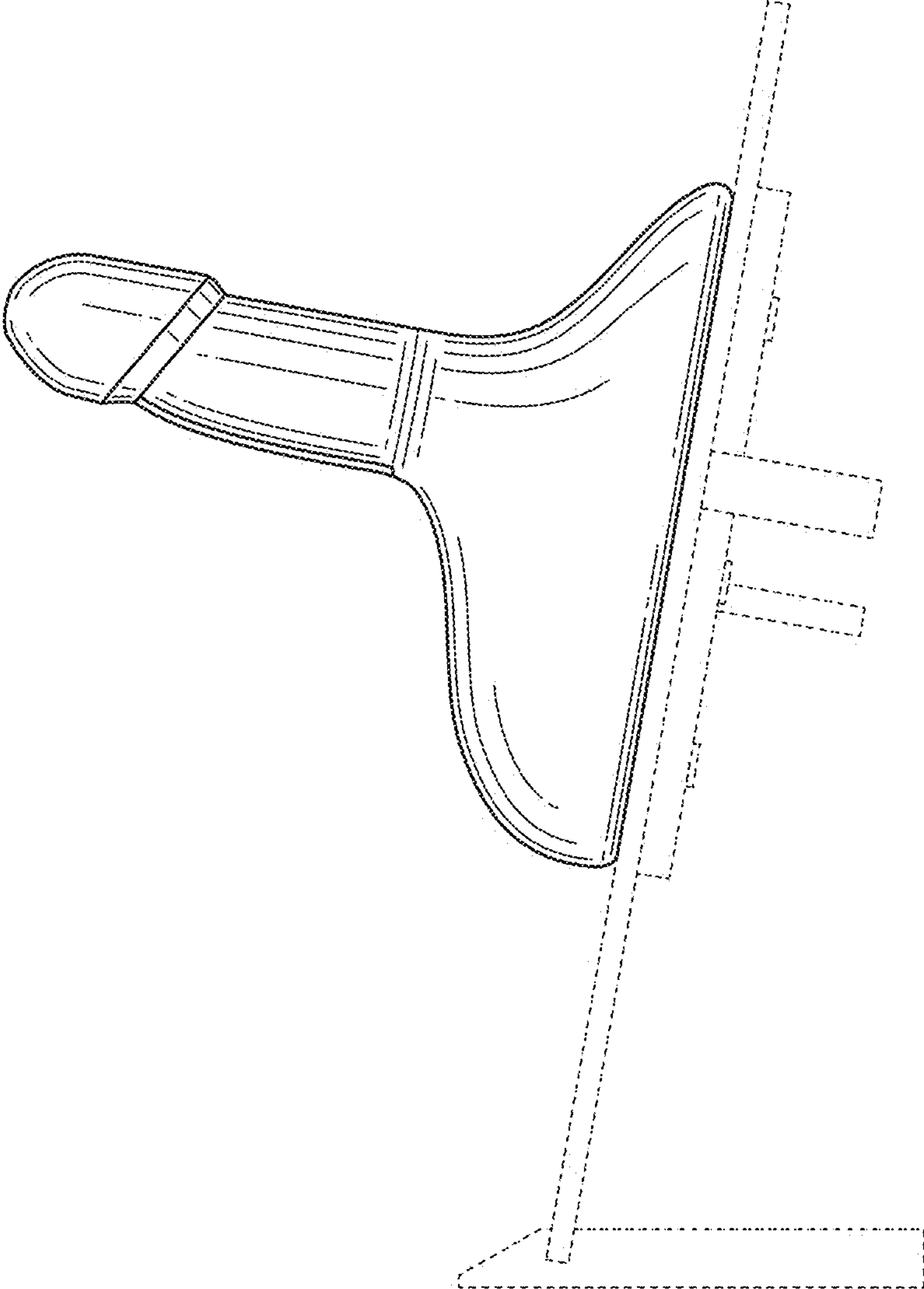


FIG. 2

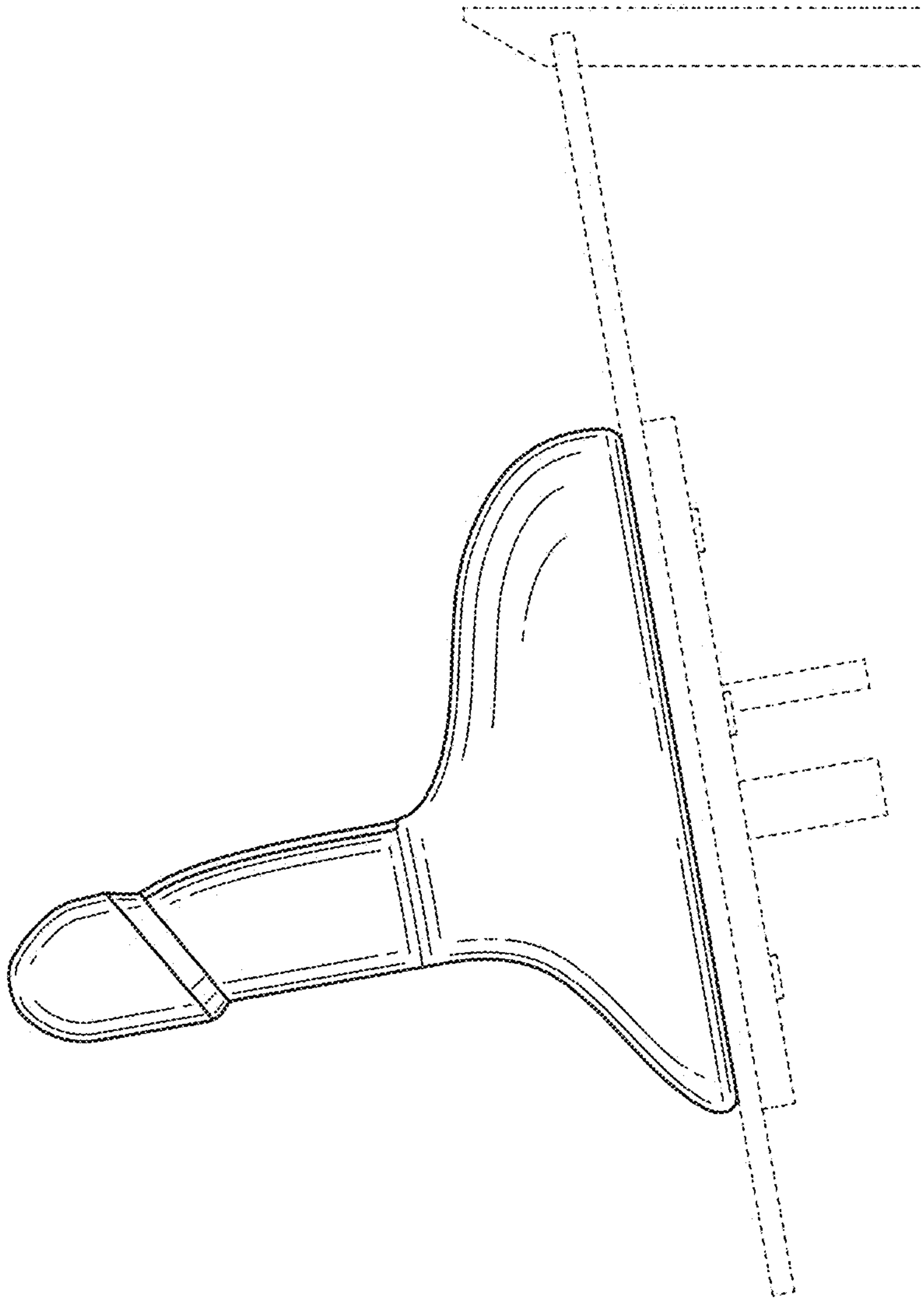


FIG. 3

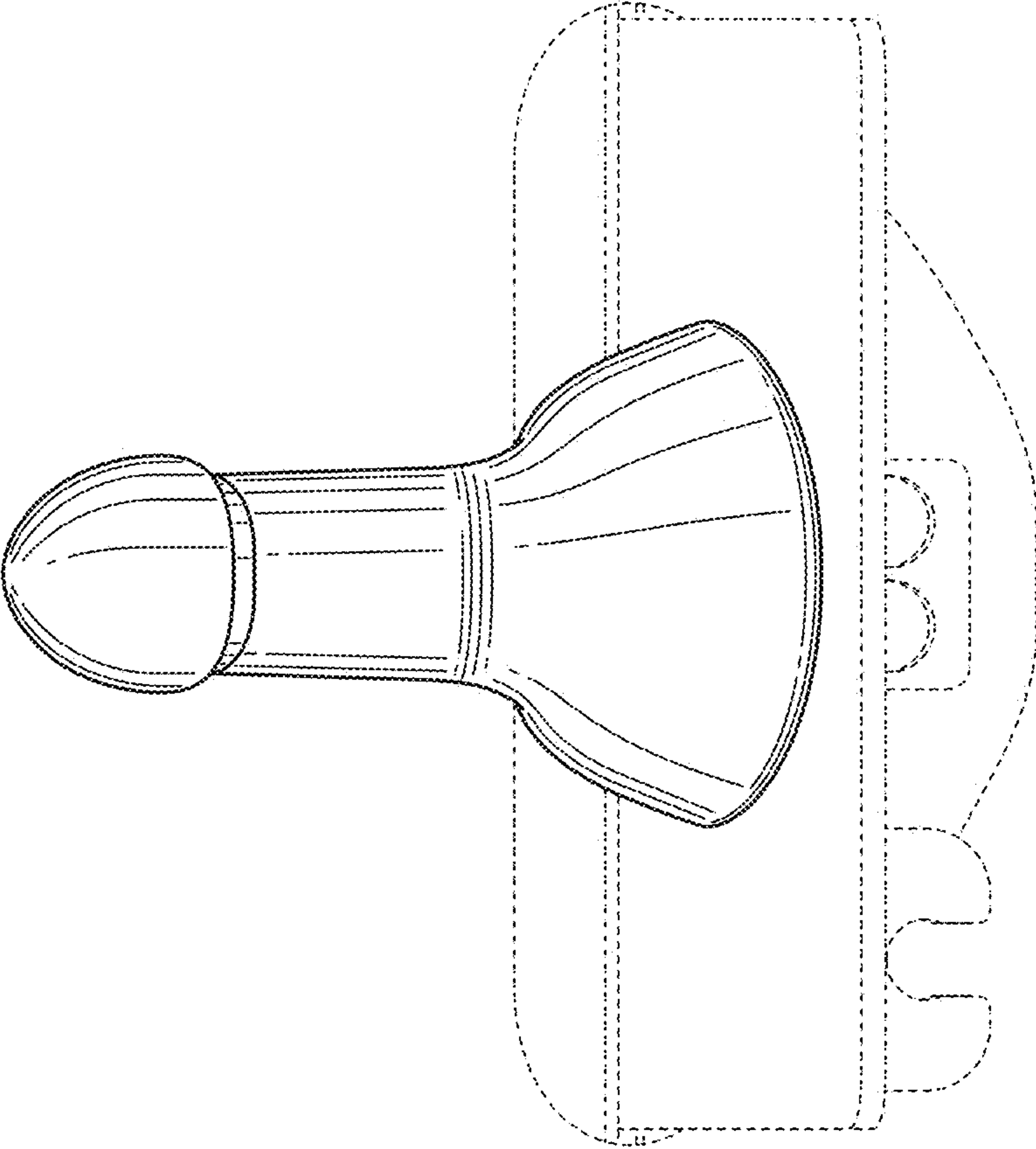
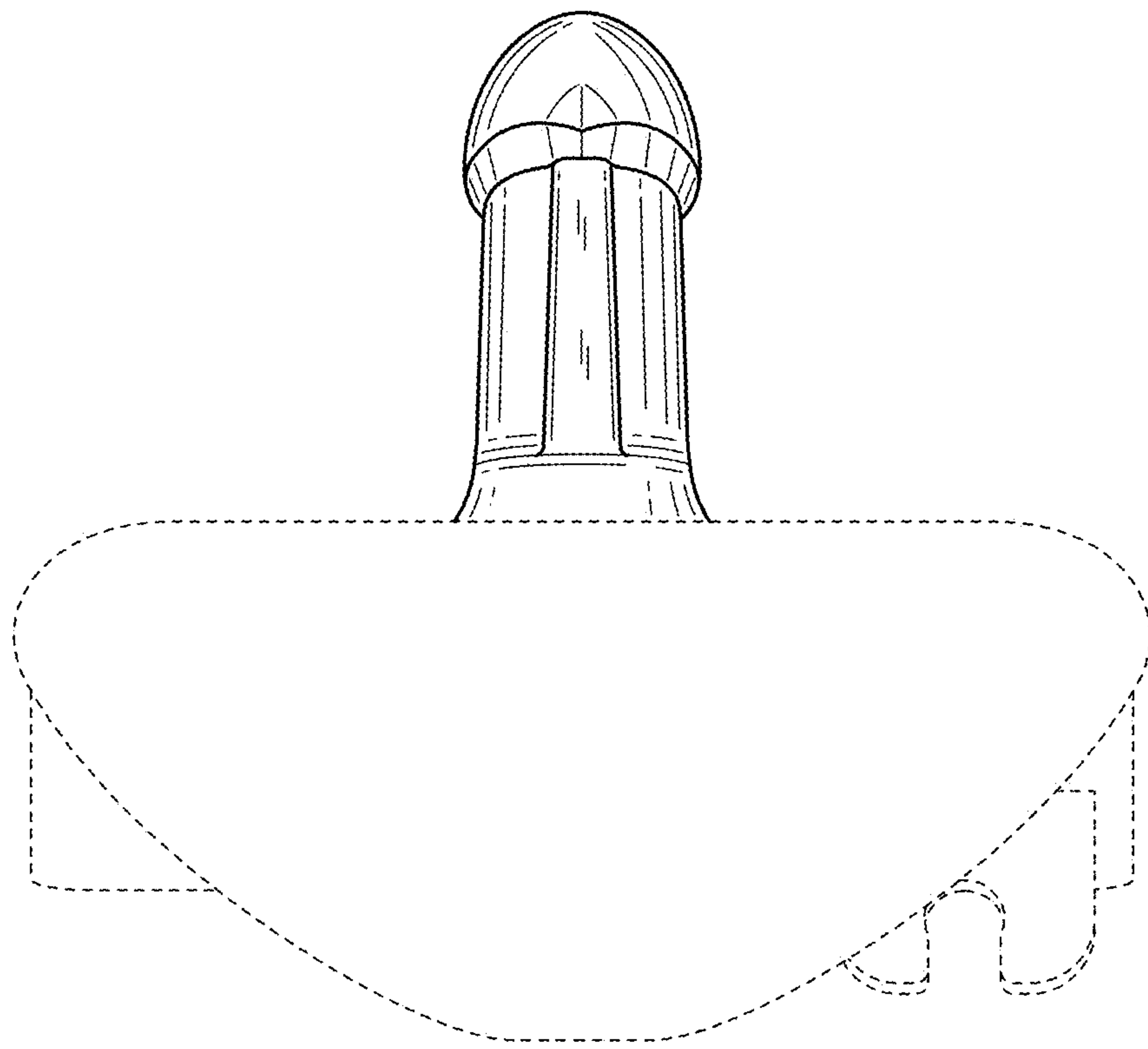
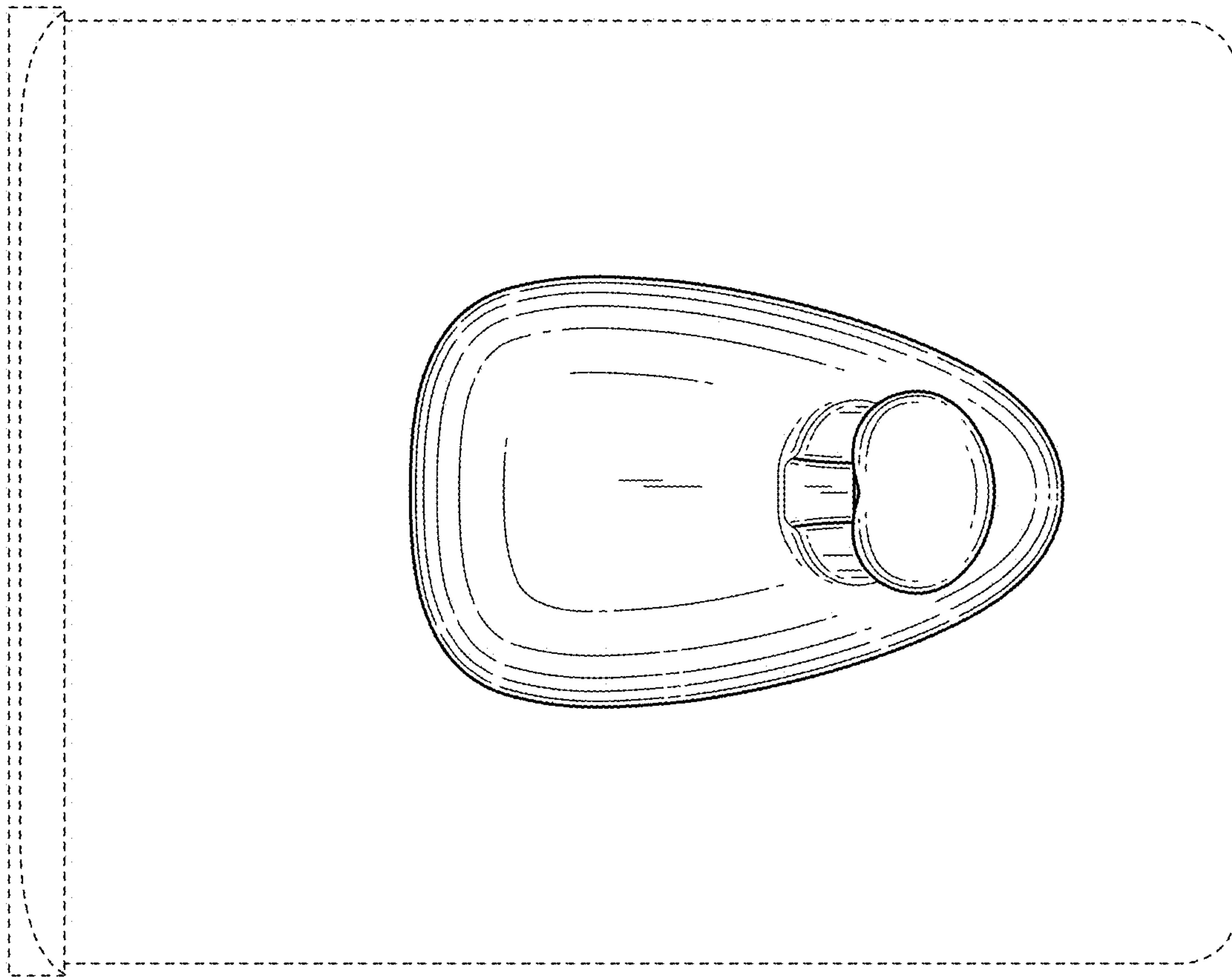


FIG. 4



**FIG. 5**





**FIG. 6**



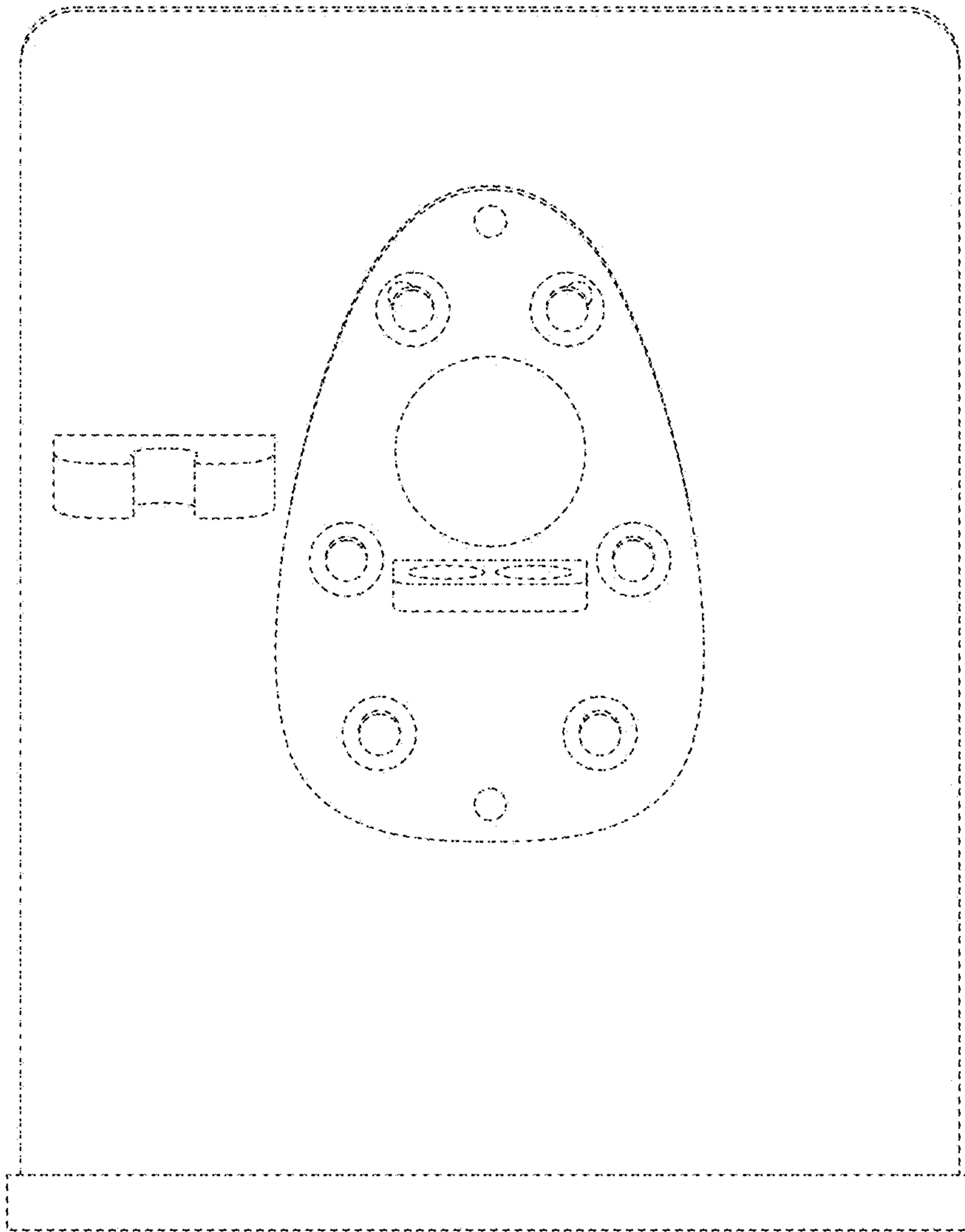


FIG. 7