



US00D977002S

(12) **United States Design Patent** (10) **Patent No.:** **US D977,002 S**  
**Umezawa et al.** (45) **Date of Patent:** **\*\* Jan. 31, 2023**

(54) **X-Y PLOTTER FOR CUTTING**  
 (71) Applicant: **GRAPHTEC CORPORATION**,  
 Kanagawa (JP)  
 (72) Inventors: **Takahisa Umezawa**, Kanagawa (JP);  
**Hiroshi Ohtsuka**, Kanagawa (JP)  
 (73) Assignee: **GRAPHTEC CORPORATION**,  
 Kanagawa (JP)  
 (\*\*) Term: **15 Years**  
 (21) Appl. No.: **29/716,639**  
 (22) Filed: **Dec. 11, 2019**

(30) **Foreign Application Priority Data**  
 Jun. 14, 2019 (JP) ..... 2019-013130  
 (51) **LOC (14) Cl.** ..... **18-04**  
 (52) **U.S. Cl.**  
 USPC ..... **D18/34.3**  
 (58) **Field of Classification Search**  
 USPC ..... D18/34.1, 34.2, 34.3, 34.4, 34.5, 34.6,  
 D18/34.7, 34.8, 34.9; D15/127  
 CPC ..... B26D 2007/005; B26D 2007/0087; B26D  
 2001/0053; B26D 1/025; B26D 1/035;  
 B26D 1/045; B26D 1/065; B26D 1/08;  
 B26D 1/085; B26D 1/10; B26D 1/105;  
 B26D 1/147; B26D 1/1475; B26D 1/15;  
 B26D 1/151; B26D 1/153; B26D 1/1535;  
 B26D 1/185; B26D 1/305; B26D 1/34;  
 B26D 1/345; B26D 1/36; B26D 1/365;  
 B26D 1/38; B26D 1/385; B26D 1/56;  
 B26D 1/565; B26D 1/58; B26D 1/585;  
 B26D 5/083; B26D 7/015; B26D 7/025;  
 B26D 7/22; B26D 1/0006; B26D 5/16;  
 B26D 7/2614; B23D 35/008; Y10T  
 83/7763;

(Continued)

(56) **References Cited**  
 U.S. PATENT DOCUMENTS  
 3,305,873 A \* 2/1967 Mourier ..... B41J 29/00  
 346/112  
 D228,152 S \* 8/1973 Matwey ..... D18/39  
 (Continued)

**FOREIGN PATENT DOCUMENTS**  
 CN 300847934 \* 11/2018  
 EM 007134382-0001 \* 11/2019  
 (Continued)

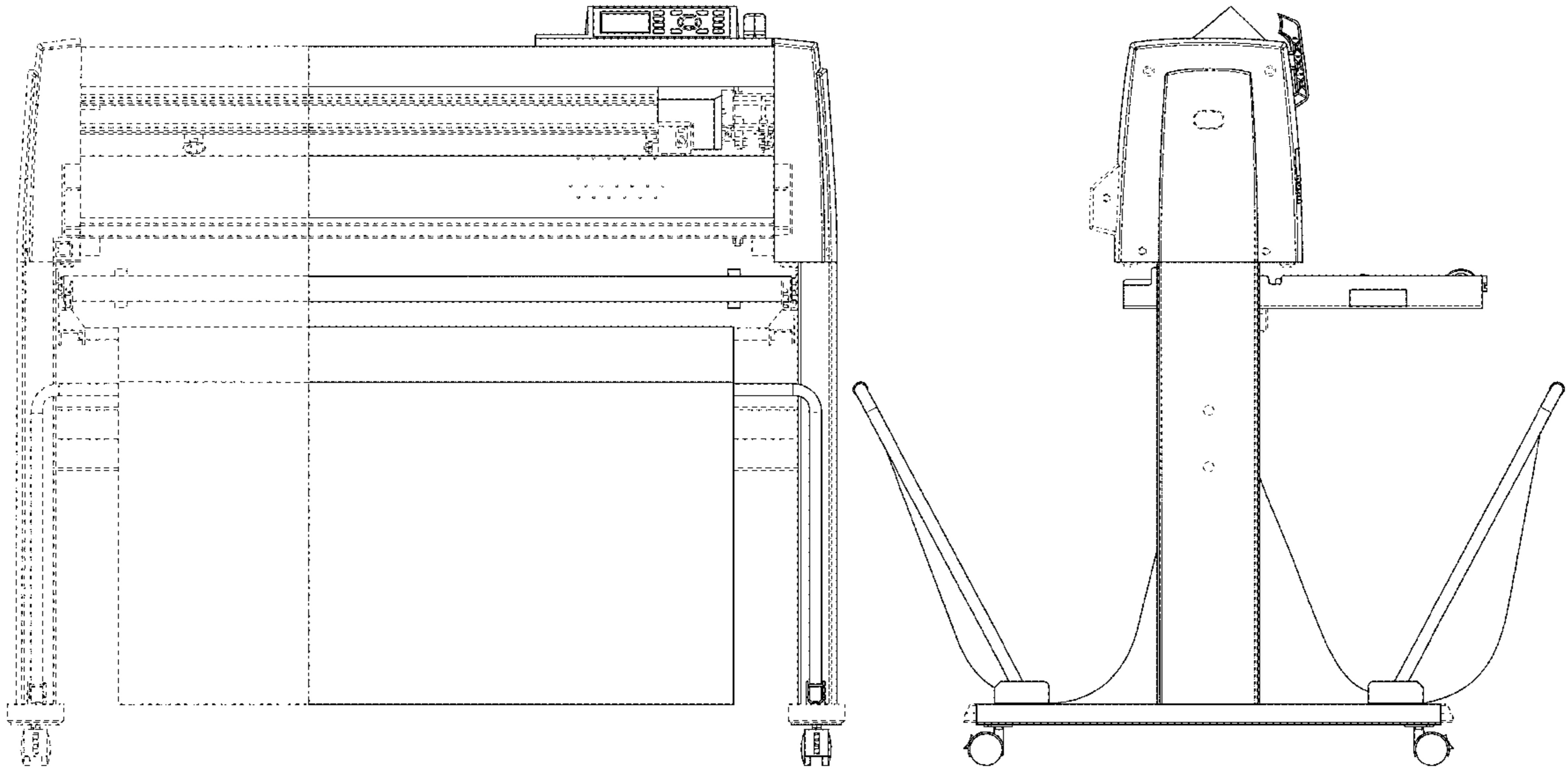
**OTHER PUBLICATIONS**  
 Heat Press Nation. Link: <https://www.heatpressnation.com/products/graphtec-ce7000-130-50-media-basket-1?variant=39333549080654>. Visited Oct. 29, 2021. Graphtec CE7000-130 50" Media Basket. (Year: 2021).\*  
 (Continued)

*Primary Examiner* — Lauren D McVey  
 (74) *Attorney, Agent, or Firm* — Robert P. Michal, Esq.;  
 Carter, DeLuca & Farrell LLP

(57) **CLAIM**  
 The ornamental design for a X-Y plotter for cutting, as shown and described.

**DESCRIPTION**  
 FIG. 1 is a front view of a X-Y plotter for cutting showing our new design;  
 FIG. 2 is a rear view thereof;  
 FIG. 3 is a top plan view thereof;  
 FIG. 4 is a bottom plan view thereof;  
 FIG. 5 is a right side view thereof; and,  
 FIG. 6 is a left side view thereof.  
 The dot-dash broken lines depict the bounds of the claimed design while all evenly spaced broken lines are directed to environment. The broken lines form no part of the claimed design.

**1 Claim, 6 Drawing Sheets**



(58) **Field of Classification Search**

CPC ..... Y10T 83/8822; Y10T 83/885; Y10T  
 83/8851; Y10T 83/7507; Y10T 83/8874;  
 Y10T 83/8814; Y10T 83/9493; Y10T  
 83/7533; Y10T 83/8821; Y10T 83/828;  
 Y10T 83/872; Y10T 83/8841; Y10S  
 83/955

See application file for complete search history.

D692,035 S \* 10/2013 Pedersen ..... D15/127  
 D864,286 S \* 10/2019 Umezawa ..... D18/34.3  
 D951,341 S \* 5/2022 Umezawa ..... D18/34.3

FOREIGN PATENT DOCUMENTS

EM 007134382-0003 \* 11/2019  
 ES 2014103 A6 \* 6/1990 ..... G01D 15/24  
 JP D1645793 \* 11/2019  
 JP D1660952 \* 6/2020  
 WO WO-2017195831 A1 \* 11/2017 ..... B65H 7/14

(56) **References Cited**

U.S. PATENT DOCUMENTS

D237,830 S \* 11/1975 Van Acker ..... D18/36  
 D278,240 S \* 4/1985 Murray ..... D10/63  
 D295,613 S \* 5/1988 Tanner ..... D10/46  
 D342,907 S \* 1/1994 Kamatsuda ..... D10/46  
 5,363,123 A \* 11/1994 Petersen ..... B41J 11/706  
 346/24  
 6,315,474 B1 \* 11/2001 Giles ..... B26D 1/0006  
 346/24  
 D561,823 S \* 2/2008 Morillo ..... D18/53  
 D643,463 S \* 8/2011 Sakurai ..... D18/53  
 D668,288 S \* 10/2012 Chiang ..... D18/34.1

OTHER PUBLICATIONS

YouTube. Link: <https://www.youtube.com/watch?v=rTRGPuikneM>.  
 May 11, 2020. Graphtec CE7000 Vinyl Cutters Overview. (Year:  
 2020).\*  
 Graphtec GB. Link: <https://graphtecgb.co.uk/product/ce7000/>. Vis-  
 ited Oct. 29, 2021. Graphtec CE7000 Series Cutting Plotter. (Year:  
 2021).\*  
 Amazon. Link: [https://www.amazon.com/VEVOR-Cutter-Machine-Plotter-Cutting/dp/B0836HC7QR/ref=sr\\_1\\_1?dchild=1&keywords=B0836HC7QR&qid=1634064785%E2%80%A6](https://www.amazon.com/VEVOR-Cutter-Machine-Plotter-Cutting/dp/B0836HC7QR/ref=sr_1_1?dchild=1&keywords=B0836HC7QR&qid=1634064785%E2%80%A6). Jul. 23, 2021.  
 VEVOR Vinyl Cutter Machine. (Year: 2021).\*

\* cited by examiner

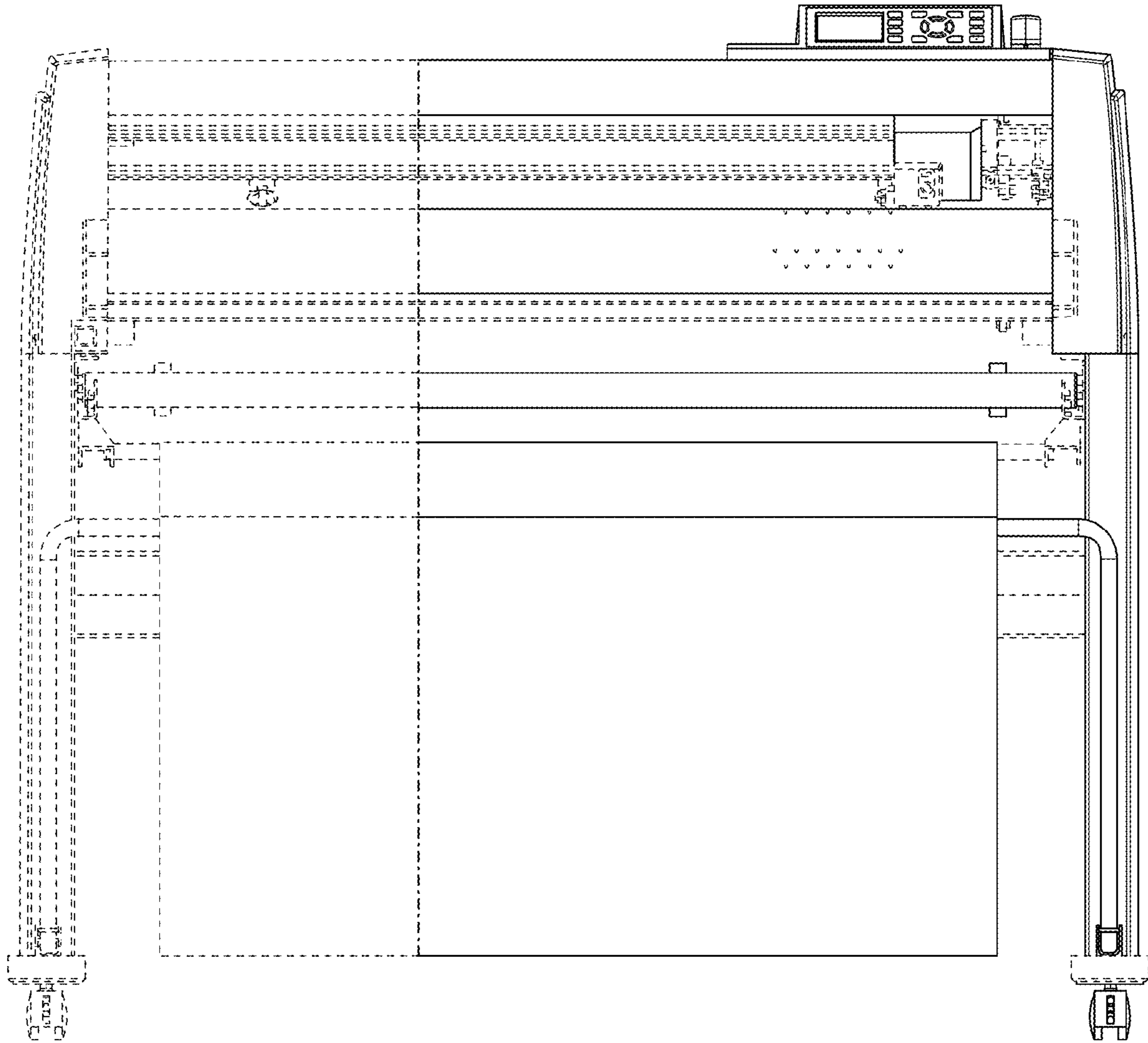


FIG. 1

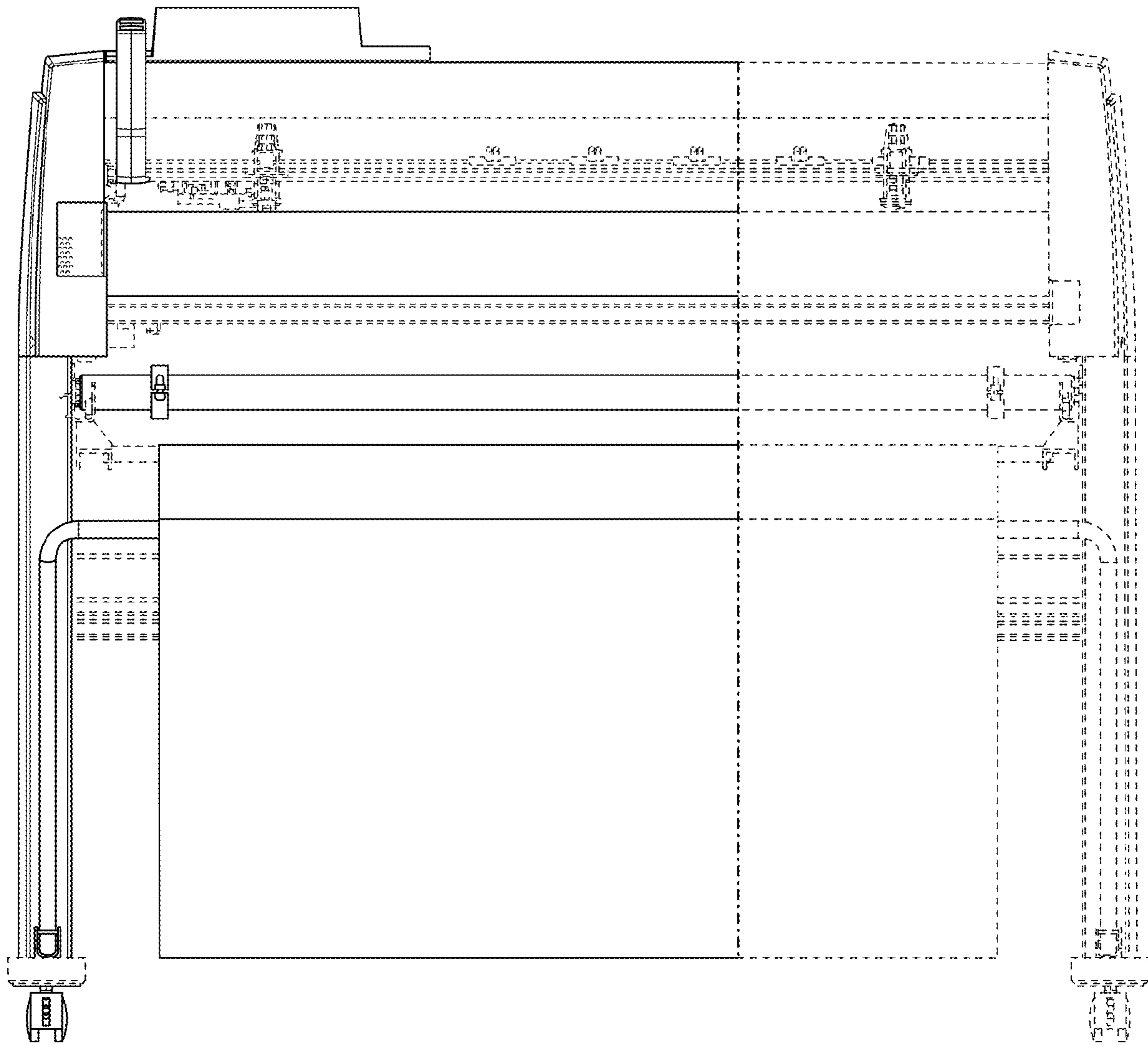


FIG. 2

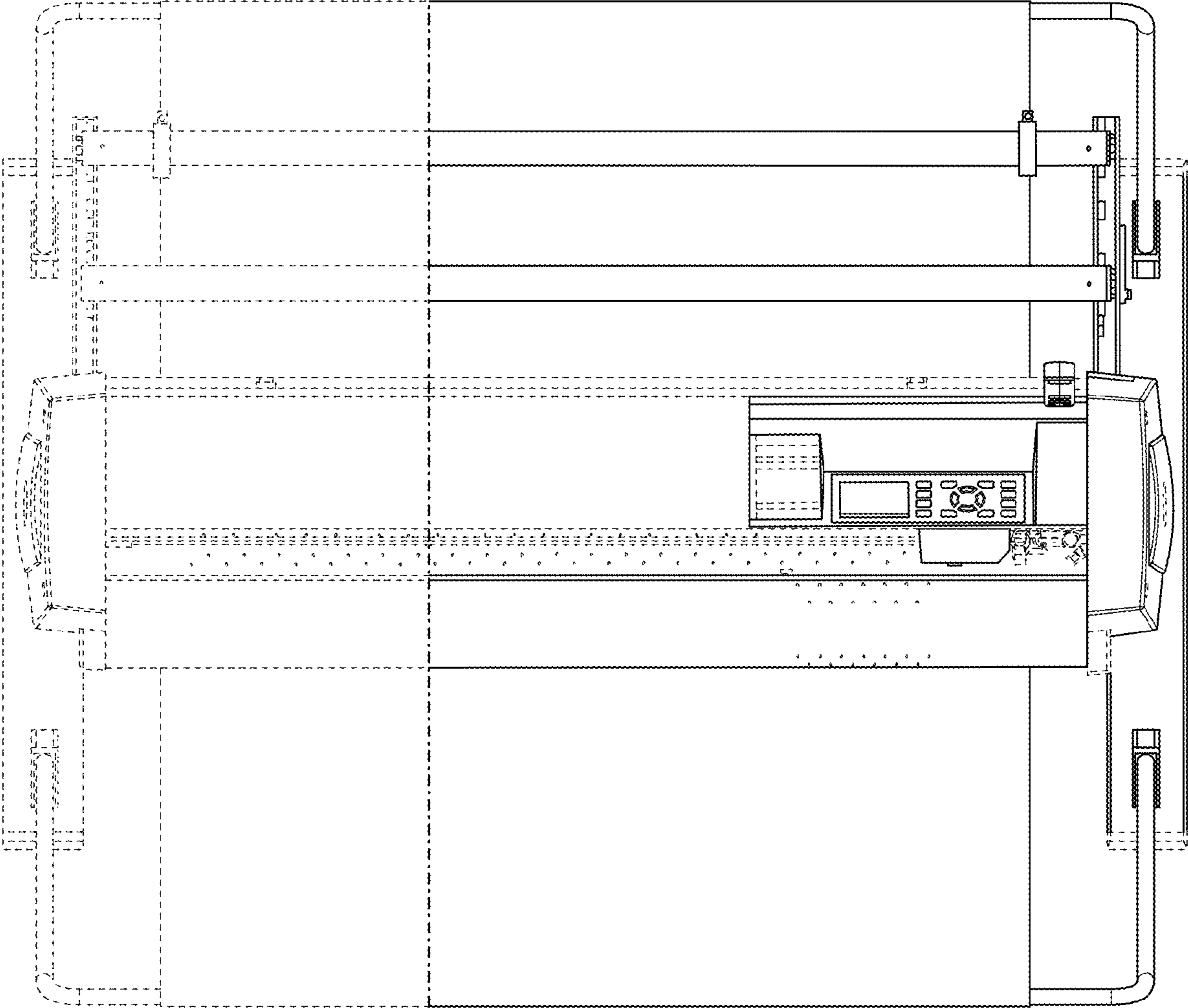


FIG. 3

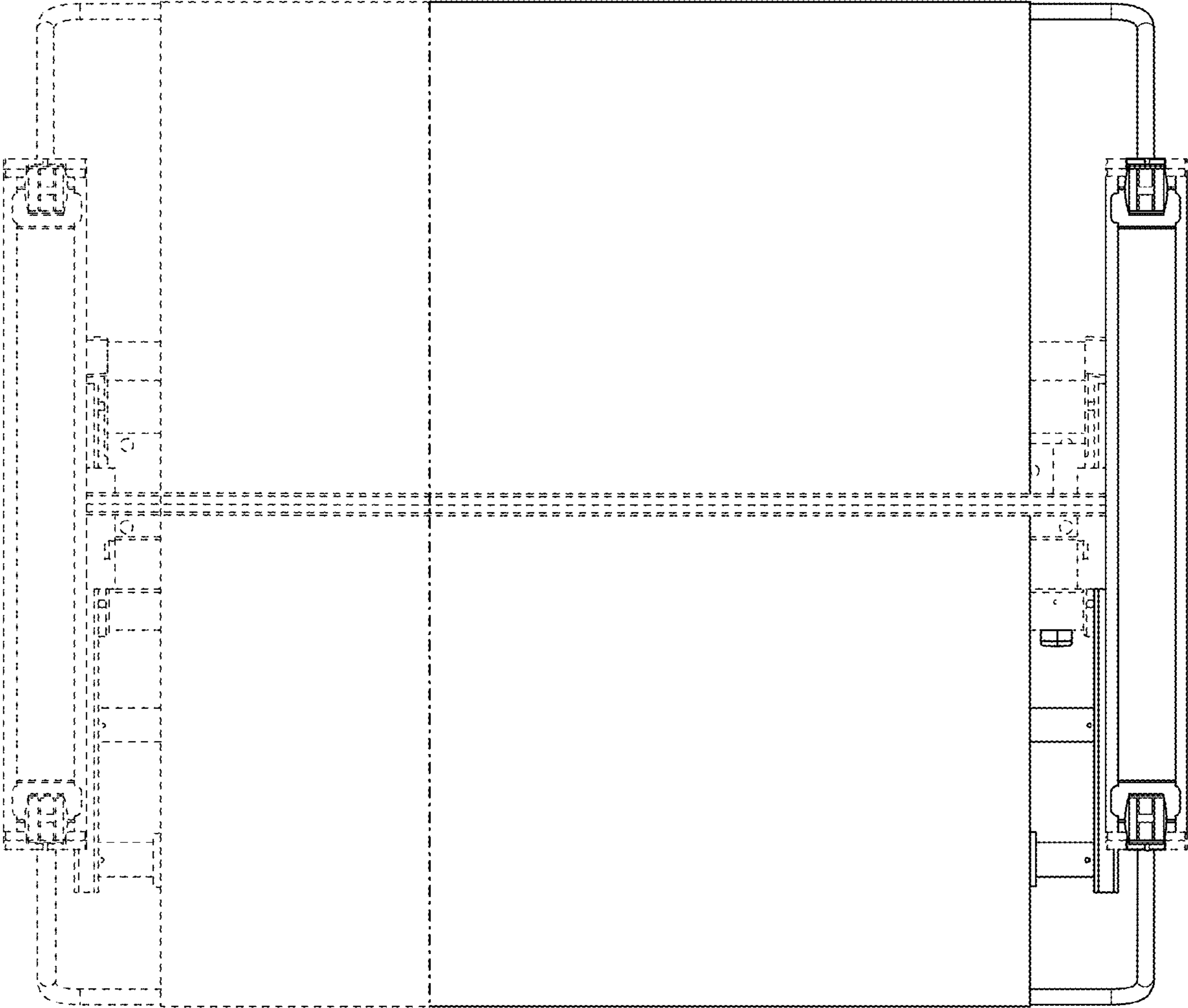


FIG. 4

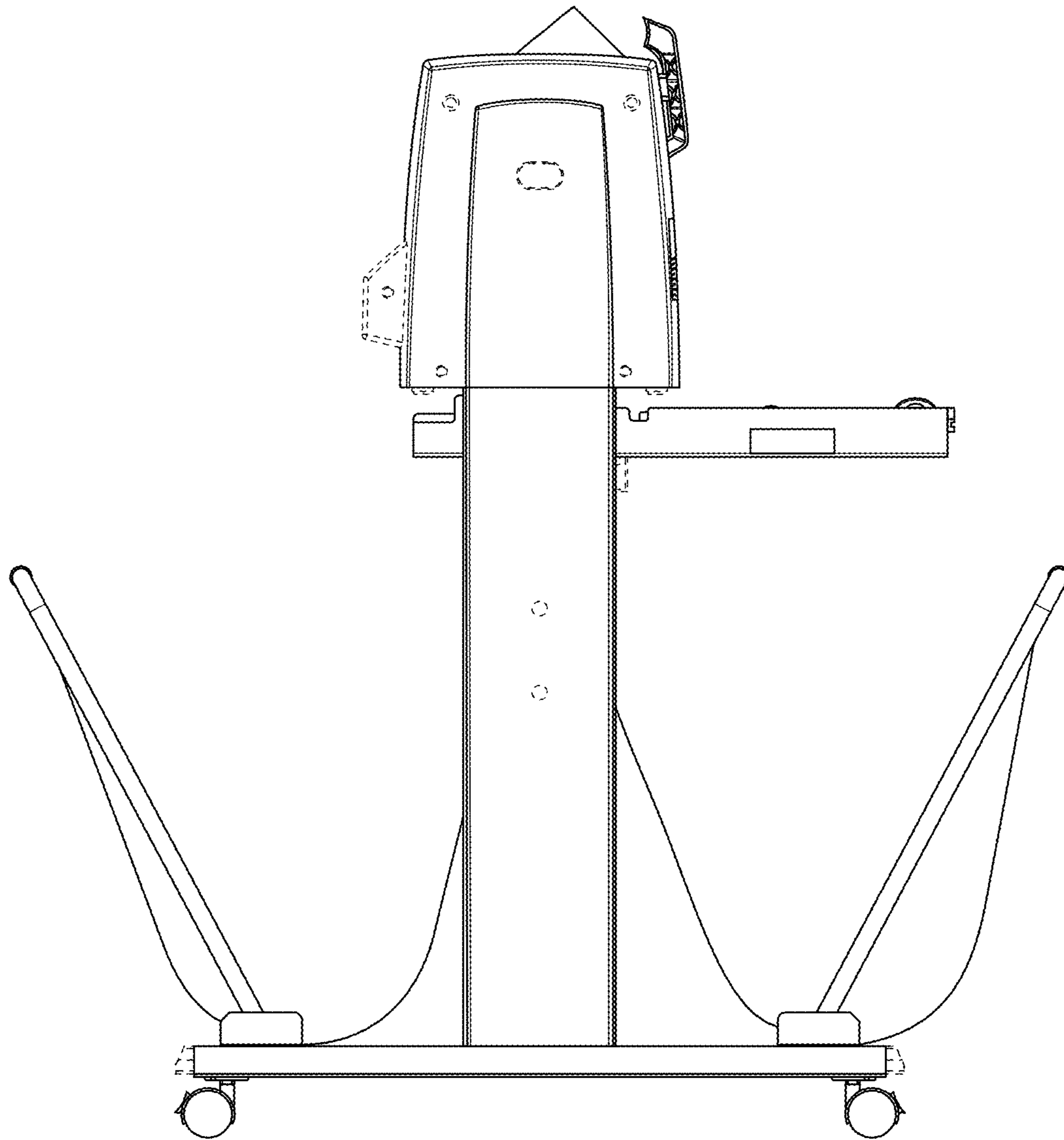


FIG. 5

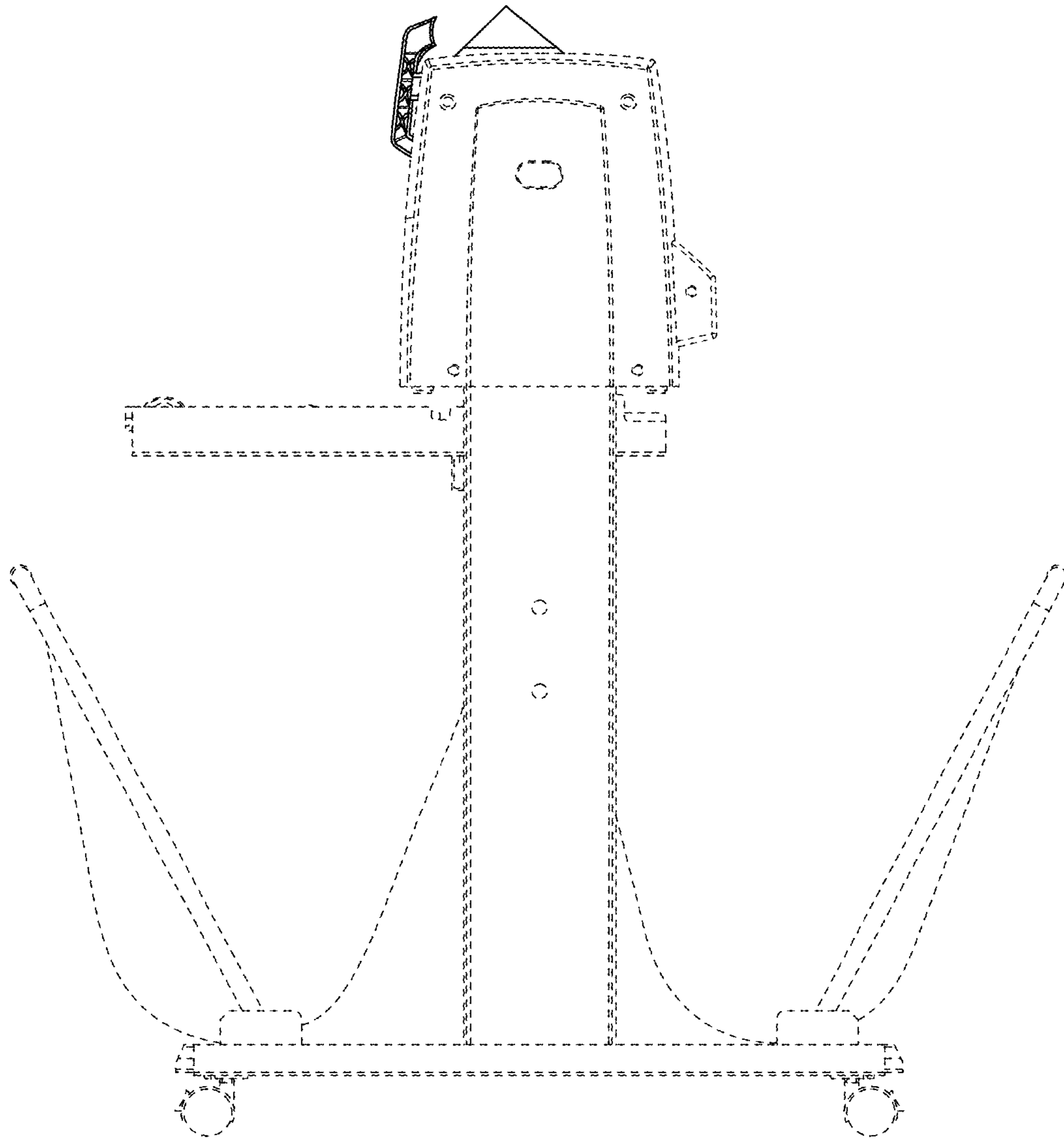


FIG. 6