



US00D976998S

(12) **United States Design Patent** (10) **Patent No.:** **US D976,998 S**
Ishikawa et al. (45) **Date of Patent:** **** Jan. 31, 2023**

(54) **PORTABLE LABEL PRINTER**

(56) **References Cited**

(71) Applicant: **SATO HOLDINGS KABUSHIKI KAISHA**, Tokyo (JP)

U.S. PATENT DOCUMENTS

(72) Inventors: **Toshihiro Ishikawa**, Tokyo (JP);
Kazuyuki Hoshi, Tokyo (JP)

D628,620	S	*	12/2010	Beck	D18/50
D685,415	S	*	7/2013	Kinoshita	D18/54
D713,871	S	*	9/2014	Preliasco	D18/14
D765,773	S	*	9/2016	Ozawa	D18/14
D790,006	S	*	6/2017	Yoshida	D18/14
D829,812	S	*	10/2018	Tsiopanos	D18/19
D833,521	S	*	11/2018	Nanno	D18/50
D963,038	S	*	9/2022	Tsiopanos	D18/19

(73) Assignee: **SATO HOLDINGS KABUSHIKI KAISHA**, Tokyo (JP)

(**) Term: **15 Years**

* cited by examiner

(21) Appl. No.: **29/854,175**

Primary Examiner — Khawaja Anwar

(22) Filed: **Sep. 22, 2022**

(74) *Attorney, Agent, or Firm* — Andrew F. Young; Nolte Lackenbach Siegel

Related U.S. Application Data

(62) Division of application No. 35/512,287, filed on Jan. 25, 2021 (U.S. filing date under 35 U.S.C. 384), and having an international filing date of Jan. 25, 2021.

(51) **LOC (14) Cl.** **18-03**

(52) **U.S. Cl.**
USPC **D18/19**

(58) **Field of Classification Search**
USPC D18/19, 34.3, 36, 43, 46, 47, 50, 53, 56, D18/59
CPC .. B41F 15/26; B41F 33/0036; B41F 33/0045; B41J 2/17546; G03G 15/04; G03G 15/5016; G03G 15/60; G03G 15/607; G03G 21/0094; G03G 21/1619; G03G 21/1647; G03G 21/1666

See application file for complete search history.

(57) **CLAIM**

The ornamental design for a portable label printer, as shown and described.

DESCRIPTION

FIG. 1 is a first front top perspective view of a portable label printer showing our new design.

FIG. 2 is a second rear top perspective view thereof.

FIG. 3 is a front elevation view thereof.

FIG. 4 is a rear elevation view thereof.

FIG. 5 is a top plan view thereof.

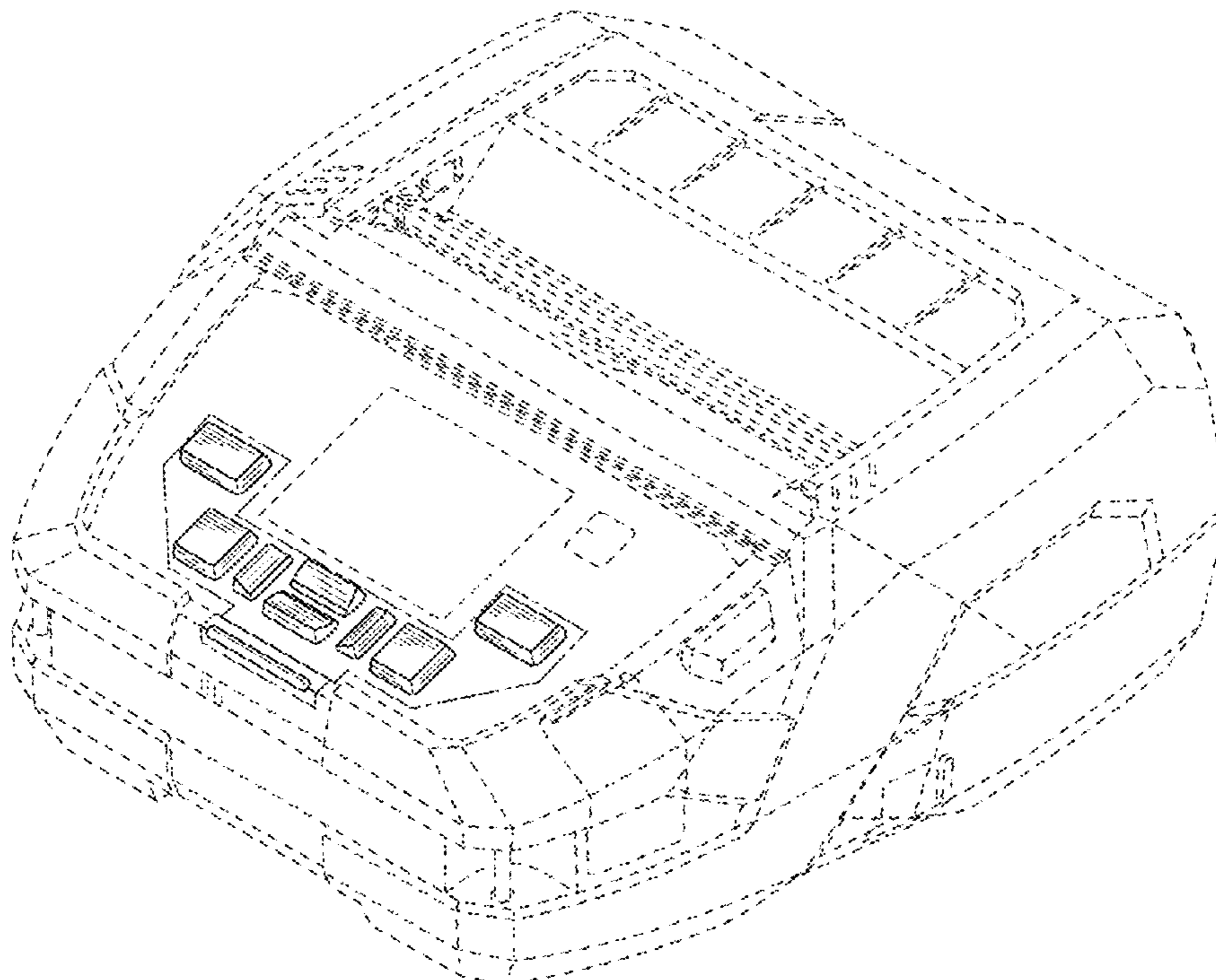
FIG. 6 is a bottom plan view thereof.

FIG. 7 is a right side elevation view thereof; and,

FIG. 8 is a left side elevation view thereof.

The dash-dash disclaim lines indicate disclaimed portions which form no part of the claimed design and the dashed-dot-dashed lines denote the boundary of the claimed design and form no part thereof.

1 Claim, 8 Drawing Sheets



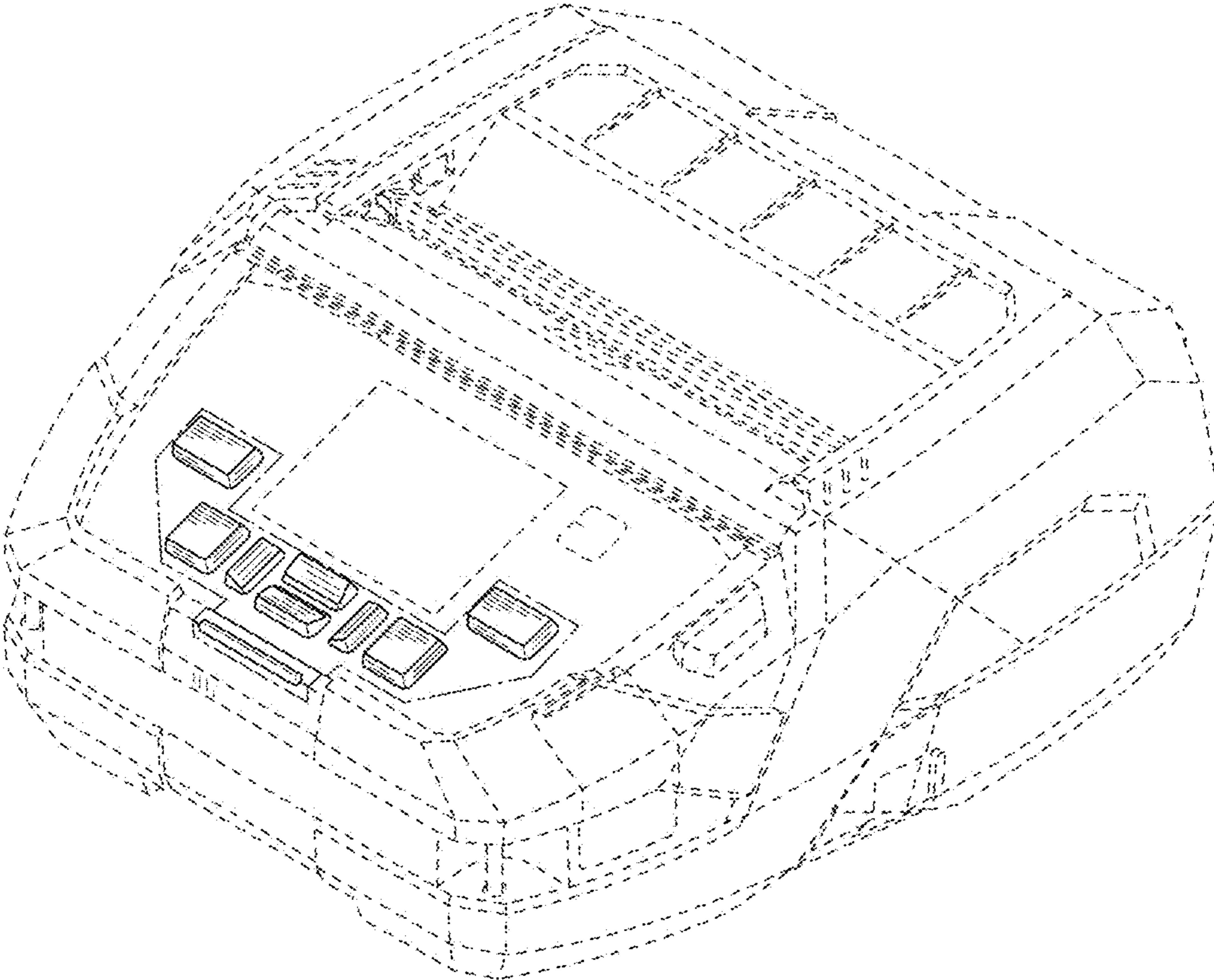


FIG. 1

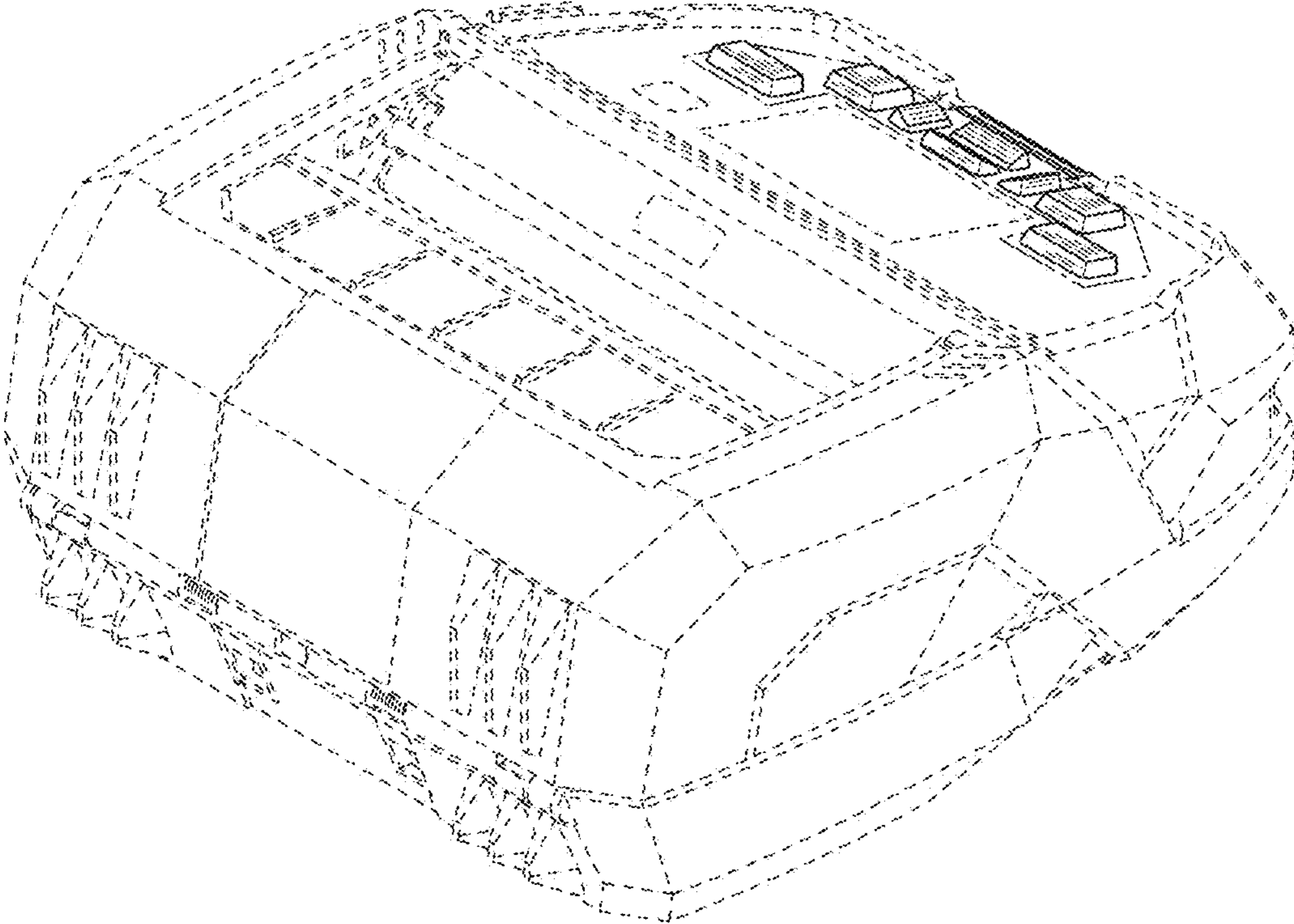


FIG. 2

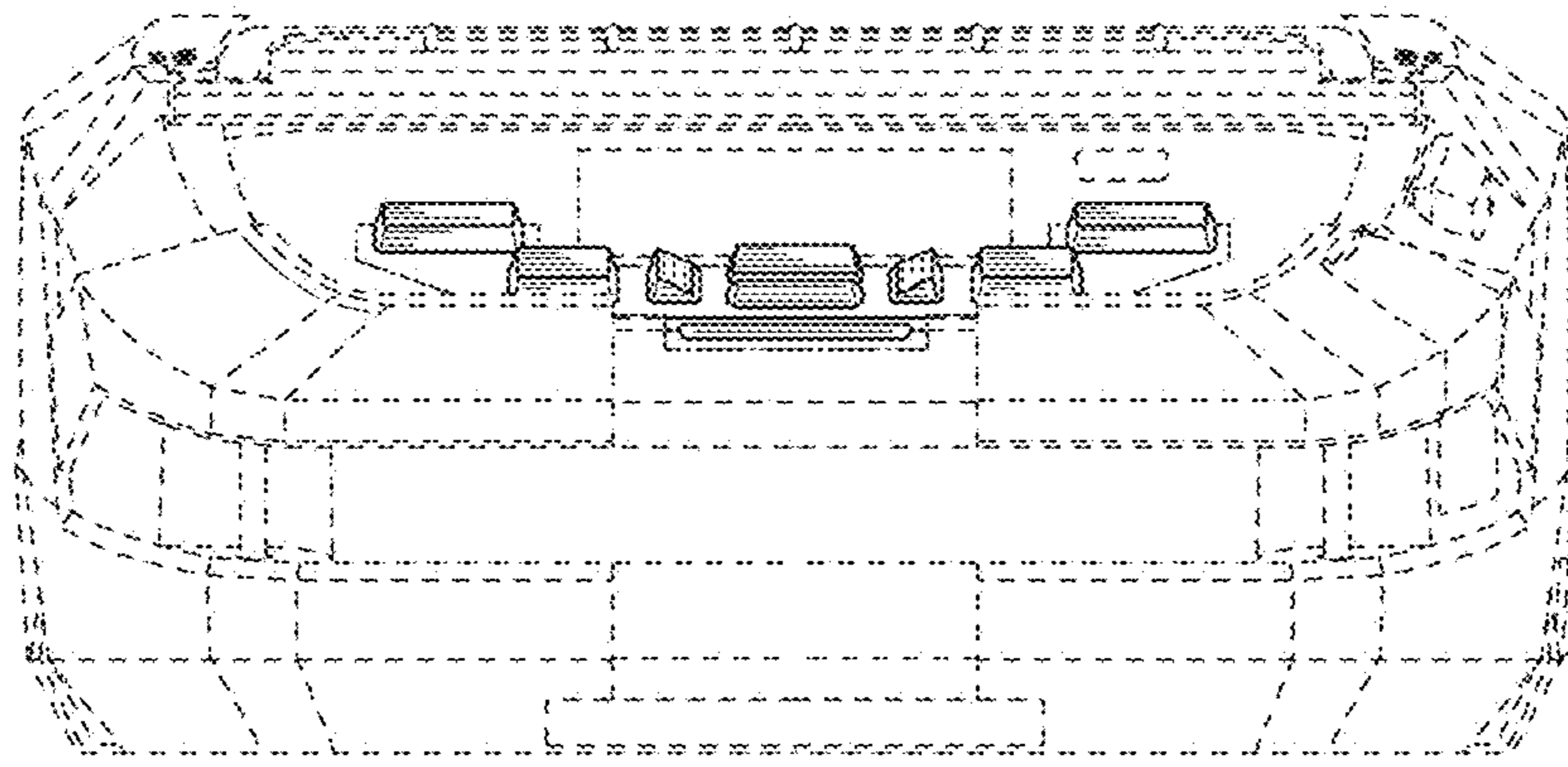


FIG. 3

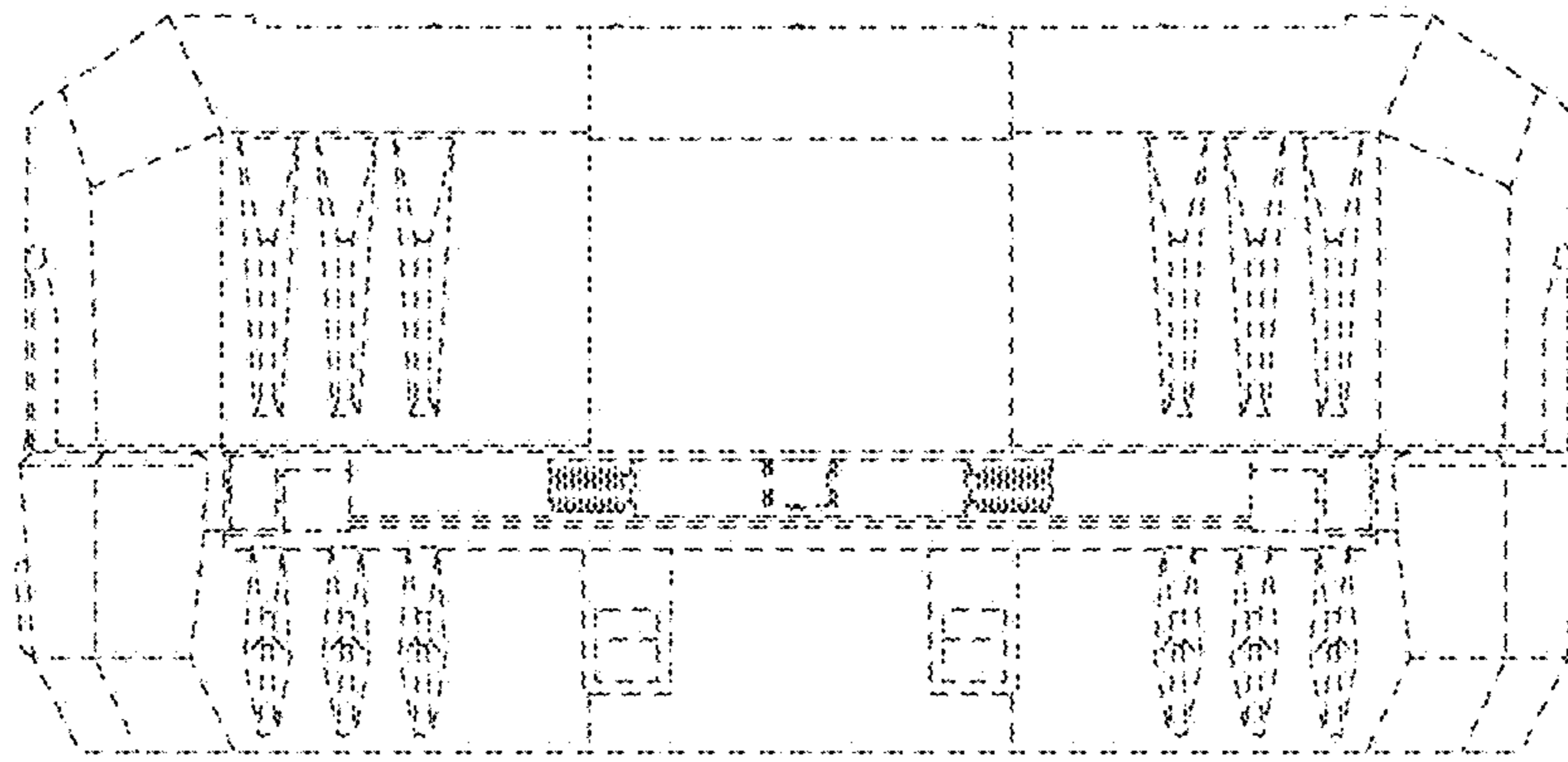


FIG. 4

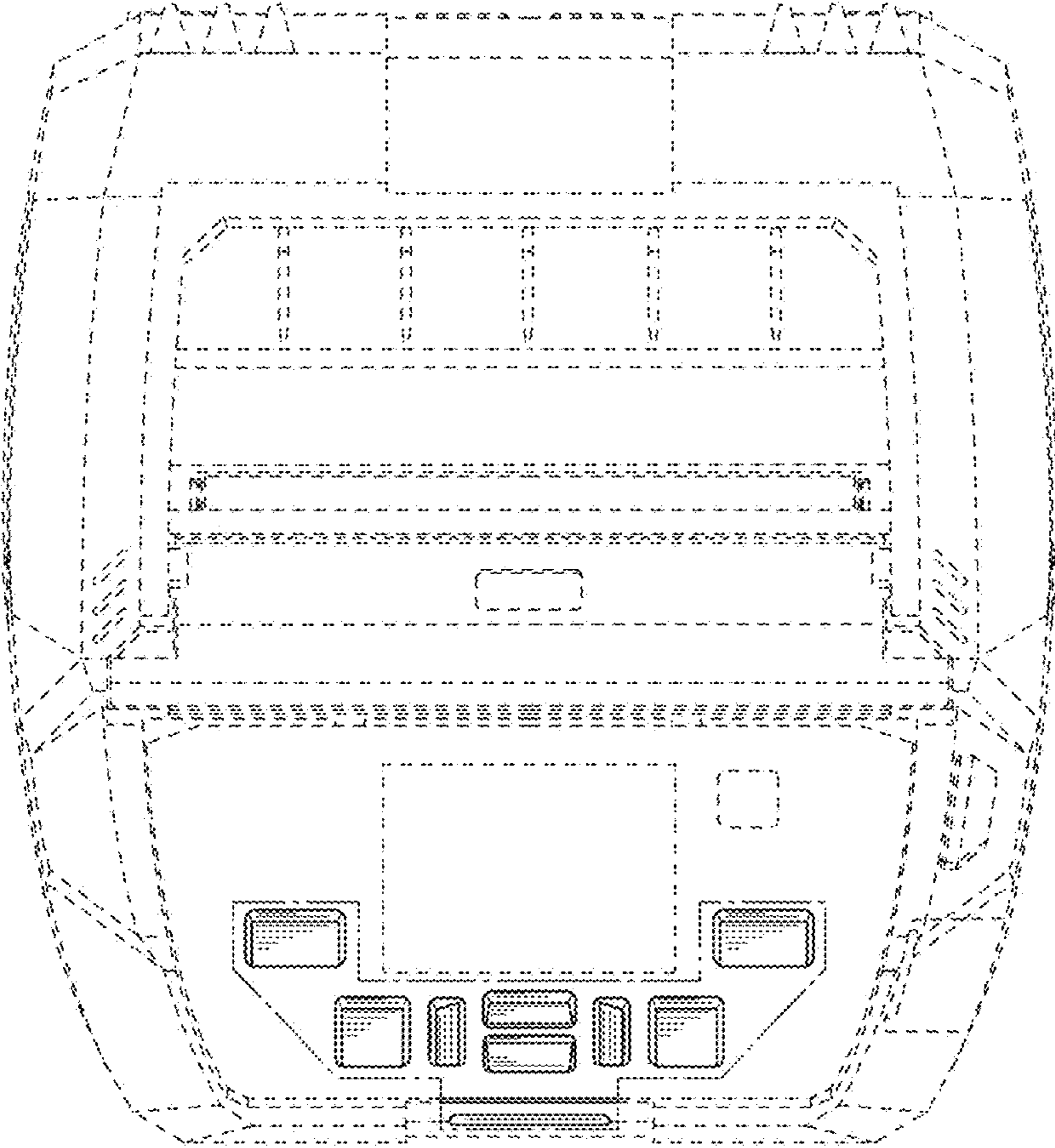


FIG. 5

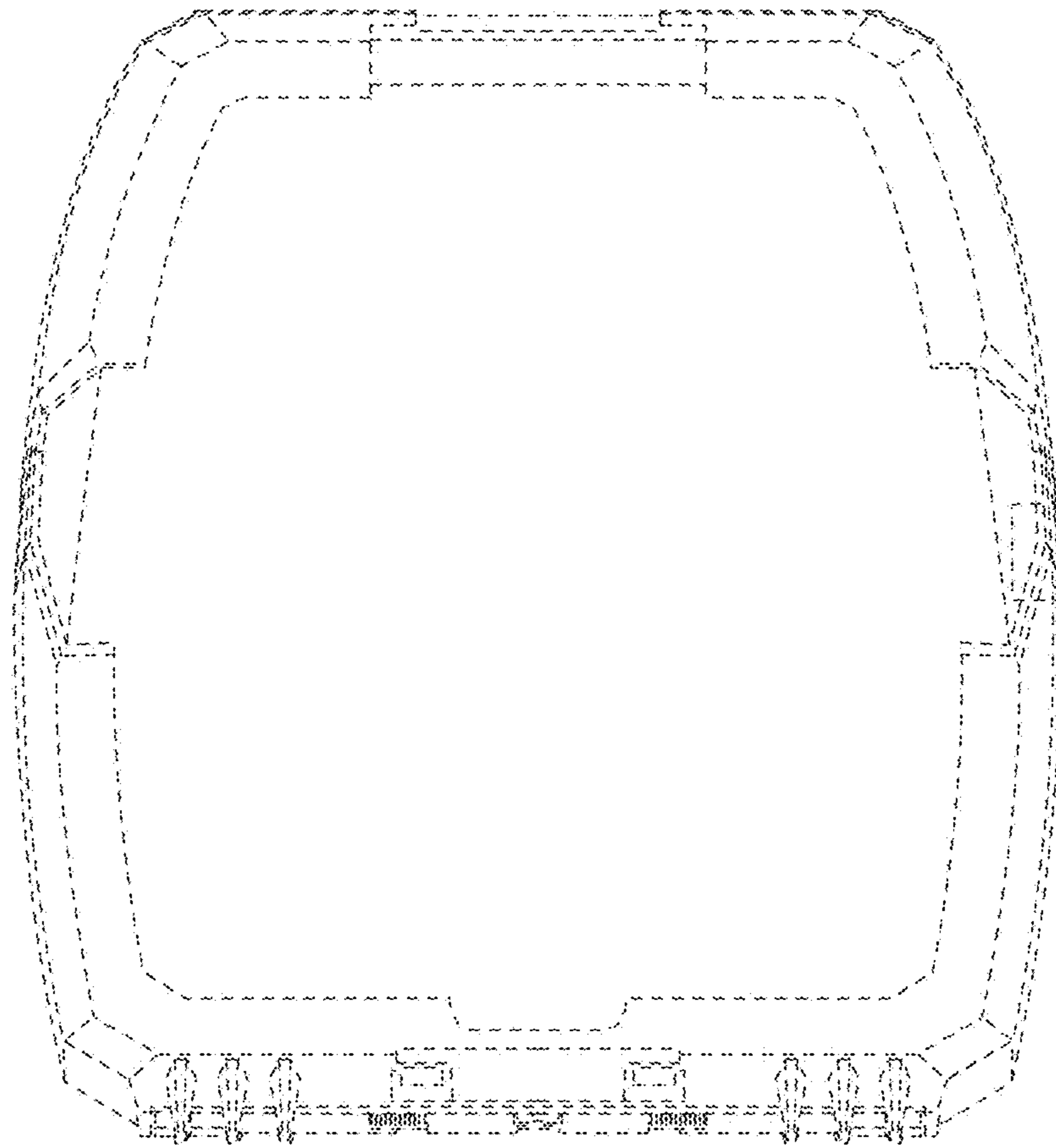


FIG. 6

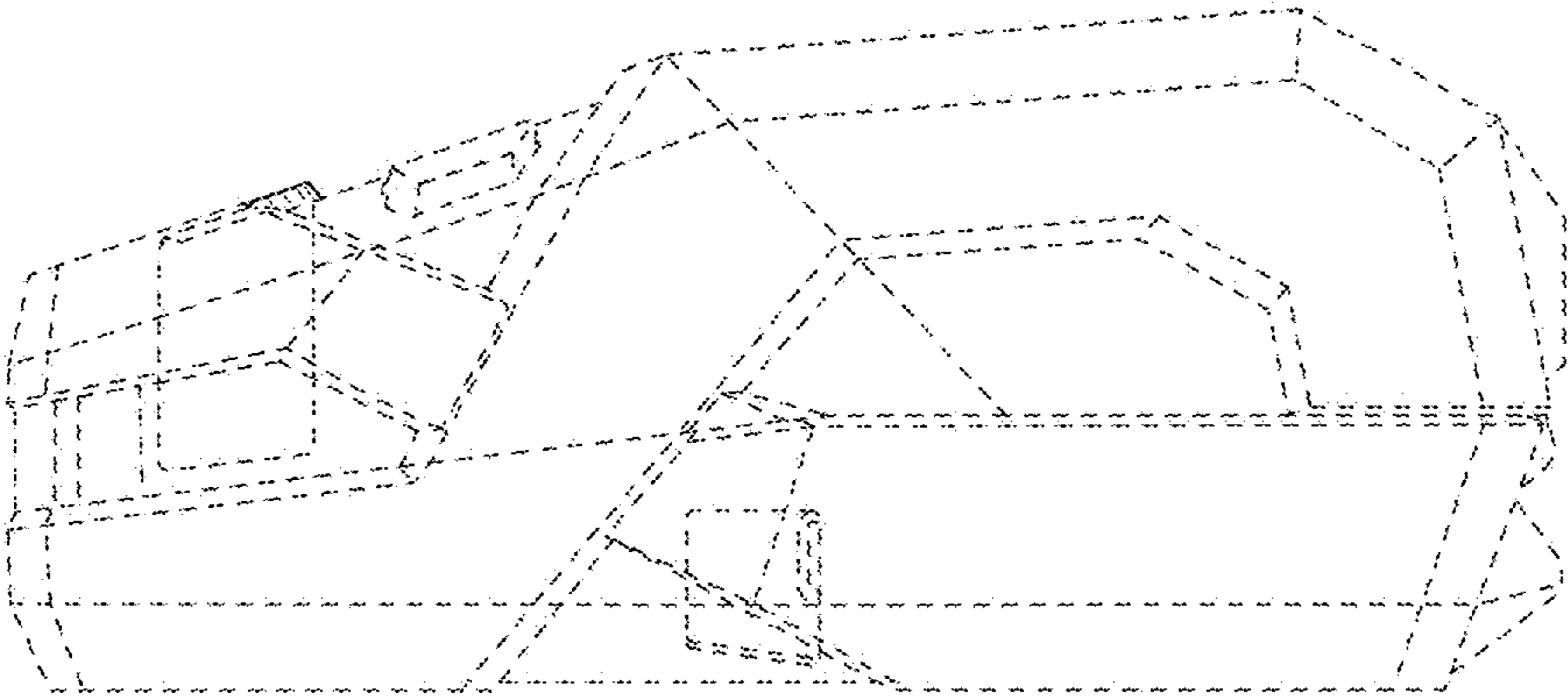


FIG. 7

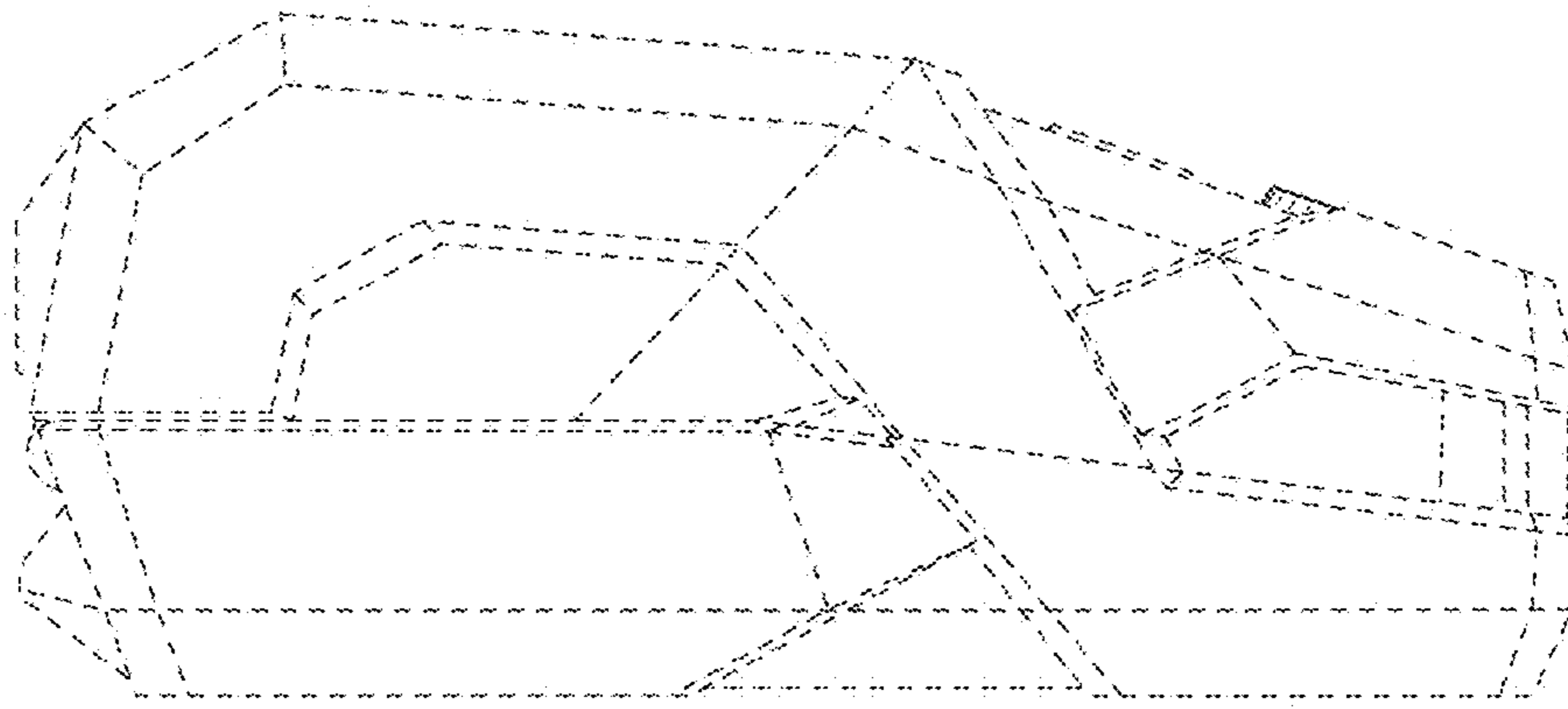


FIG. 8