



US00D976997S

(12) **United States Design Patent**
Zhou

(10) **Patent No.:** **US D976,997 S**
(45) **Date of Patent:** **** Jan. 31, 2023**

- (54) **ELECTRONIC PIANO**
- (71) Applicant: **JINJIANG BEISITE ELECTRONIC TECHNOLOGY CO., LTD.**,
Quanzhou (CN)
- (72) Inventor: **Yong Zhou**, Quanzhou (CN)
- (73) Assignee: **JINJIANG BEISITE ELECTRONIC TECHNOLOGY CO., LTD.**,
Quanzhou (CN)
- (**) Term: **15 Years**
- (21) Appl. No.: **29/785,436**
- (22) Filed: **May 25, 2021**
- (51) **LOC (14) Cl.** **17-01**
- (52) **U.S. Cl.**
USPC **D17/1**
- (58) **Field of Classification Search**
USPC D17/1, 2, 7, 9; D21/405, 409; D14/172,
D14/203.1, 395, 455
CPC ... G10C 1/00; G10C 3/12; G10C 5/10; G10H
1/0033; G10H 1/0066; G10H 1/32; G10H
1/346; G10H 7/00; G10H 2220/221;
G10H 2220/226
See application file for complete search history.

(56) **References Cited**

U.S. PATENT DOCUMENTS

4,091,707	A *	5/1978	Martin	G10C 3/12 984/61
D668,709	S *	10/2012	Williamson	D17/1
D778,343	S *	2/2017	Katsumata	D17/1
D778,344	S *	2/2017	Katsumata	D17/1
D778,345	S *	2/2017	Katsumata	D17/1
10,803,844	B2 *	10/2020	Kafuku	G10H 1/368
D940,786	S *	1/2022	Huang	D17/7
2011/0185882	A1 *	8/2011	Okuda	G10H 7/00 84/622

2021/0201869	A1 *	7/2021	Oba	G10H 1/057
2022/0093069	A1 *	3/2022	Fukushima	G10G 7/00
2022/0130352	A1 *	4/2022	Hoshino	G10C 3/12

OTHER PUBLICATIONS

Amazon.com. https://www.amazon.com/Electric-Keyboard-Weighted-Headphones-Beginners/dp/B0B4ZS6CP7/ref=sr_1_145?crd=GVRUMJSQNJ4L&keywords=electronic+piano+keyboard&qid=1663633684&sprefix=electronic+piano+%2Caps%2C87&sr=8-145. "Electric Keyboard". Date Unknown: Viewed Sep. 2022 (Year: 2022).*

* cited by examiner

Primary Examiner — R. Johnson

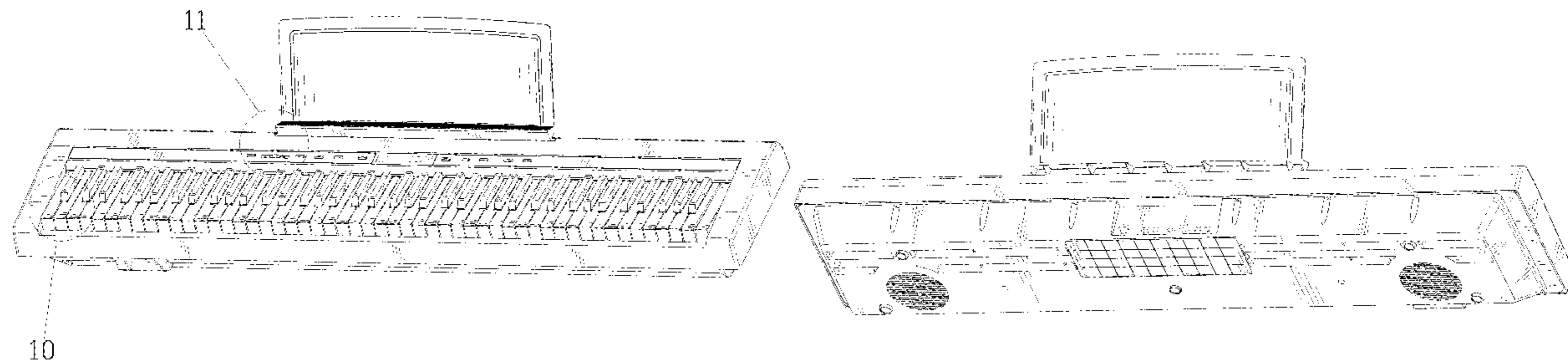
(57) **CLAIM**

The ornamental design for an electronic piano, as shown and described.

DESCRIPTION

FIG. 1 is a perspective view of an electronic piano showing my new design;
 FIG. 2 is another perspective view thereof;
 FIG. 3 is another perspective view thereof;
 FIG. 4 is a front elevational view thereof;
 FIG. 5 is a rear elevational view thereof;
 FIG. 6 is a left side elevational view thereof;
 FIG. 7 is a right side elevational view thereof;
 FIG. 8 is a top plan view thereof;
 FIG. 9 is a bottom plan view thereof;
 FIG. 10 is an enlarged view of portion 10 shown in FIG. 1;
 FIG. 11 is an enlarged view of portion 11 shown in FIG. 1;
 and,
 FIG. 12 is an enlarged view of portion 12 shown in FIG. 3.
 The broken lines in the drawings depict portions of the electronic piano that form no part of the claimed design.

1 Claim, 12 Drawing Sheets



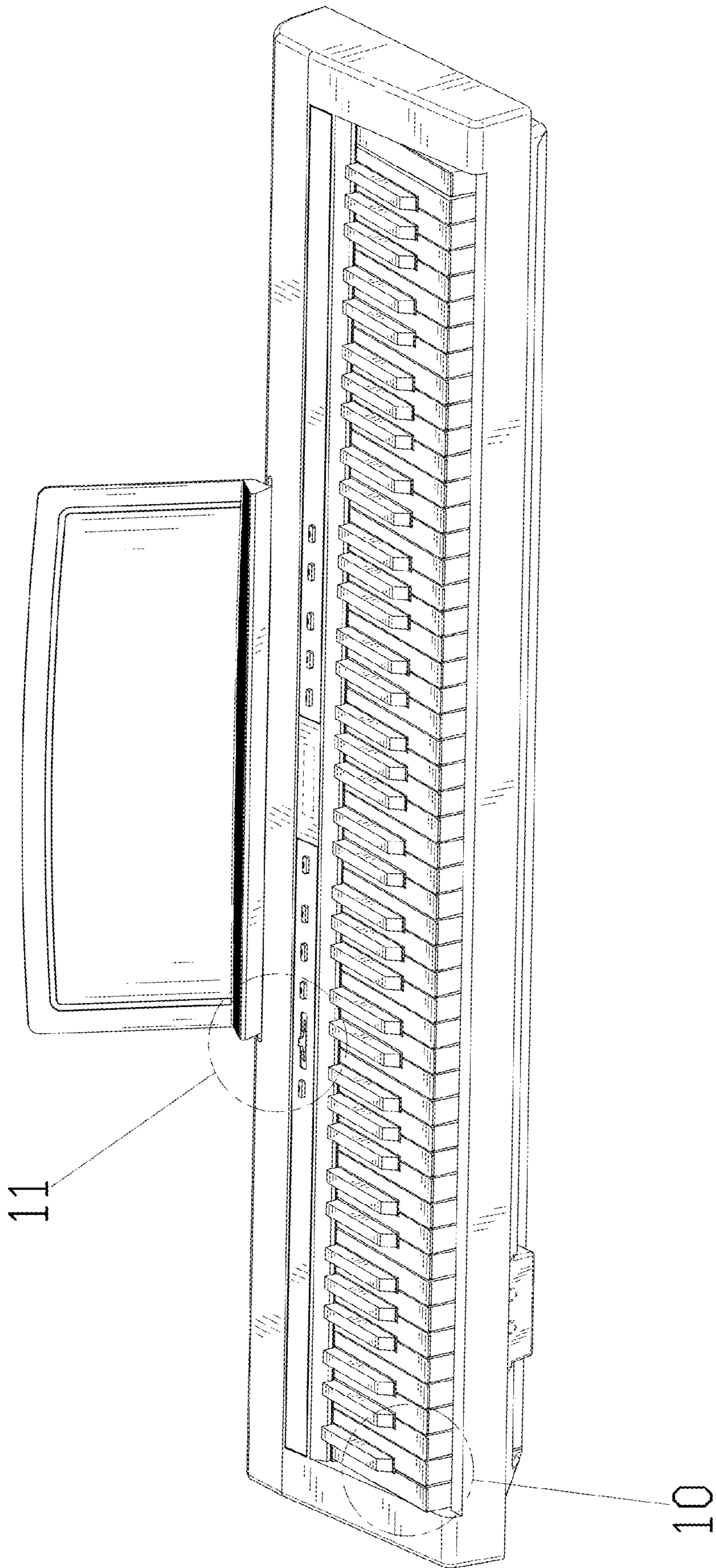


FIG. 1

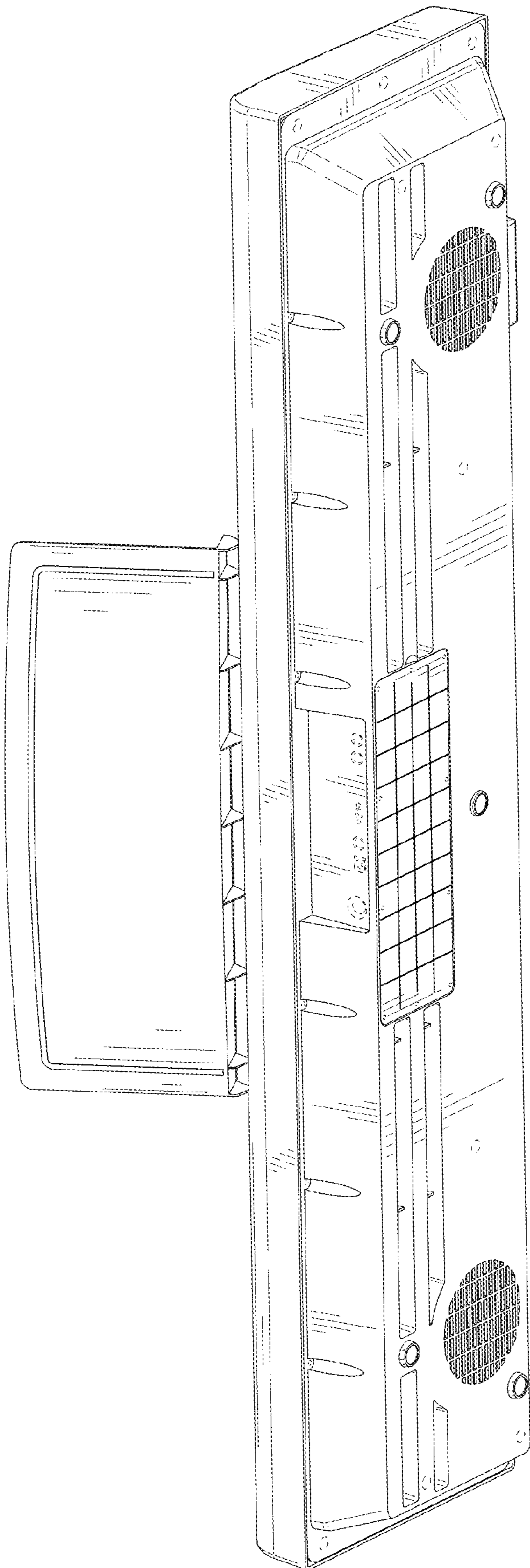


FIG. 2

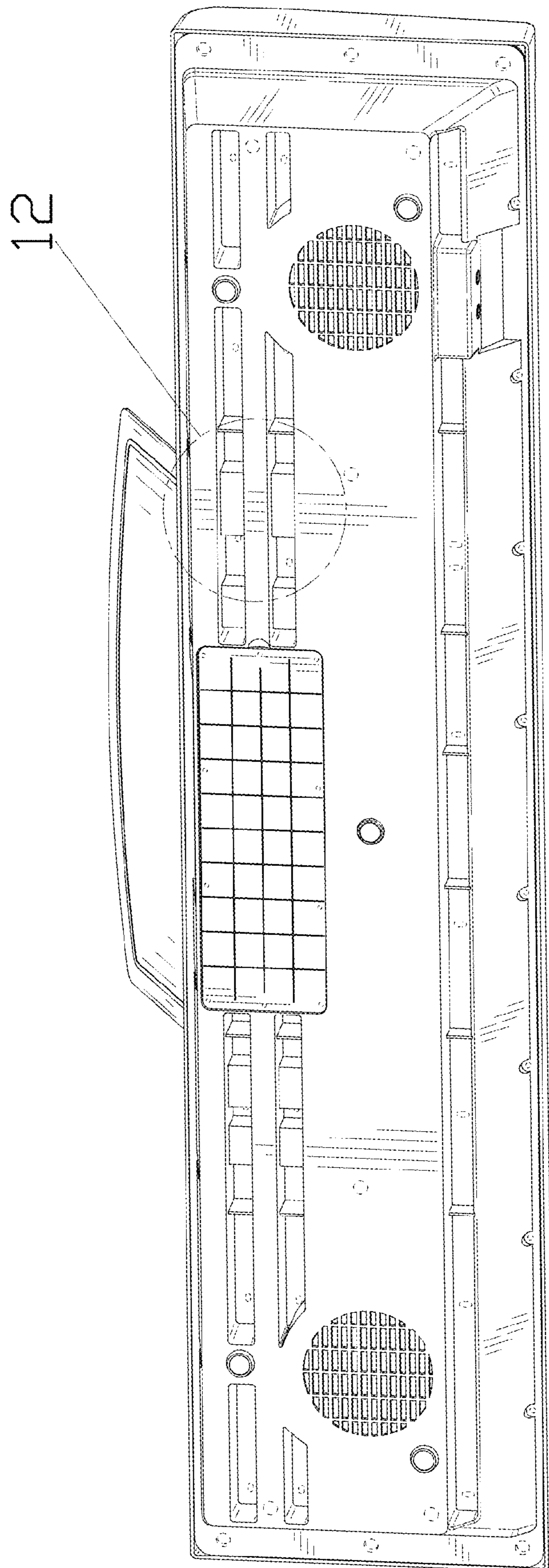


FIG. 3

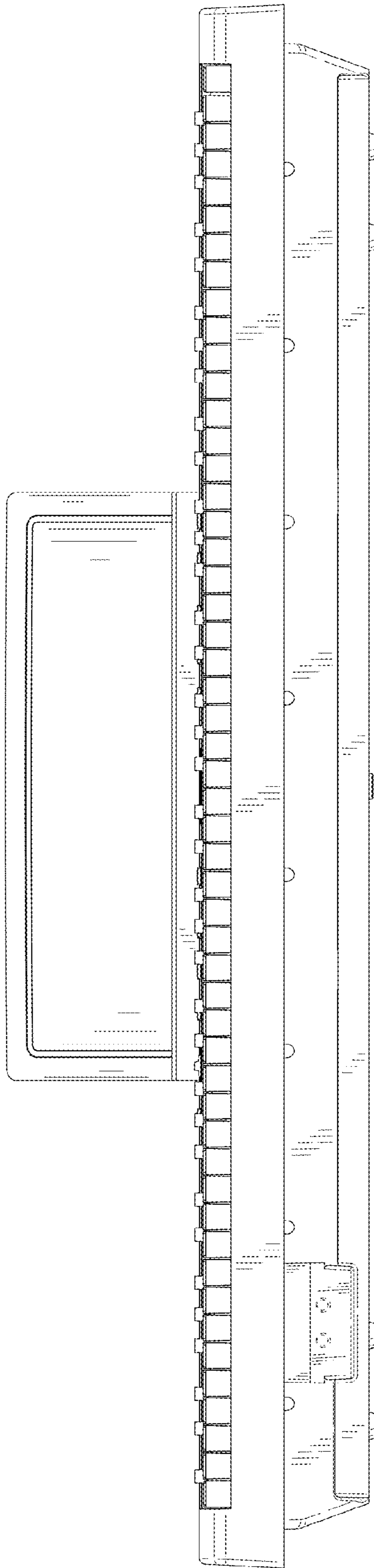


FIG. 4

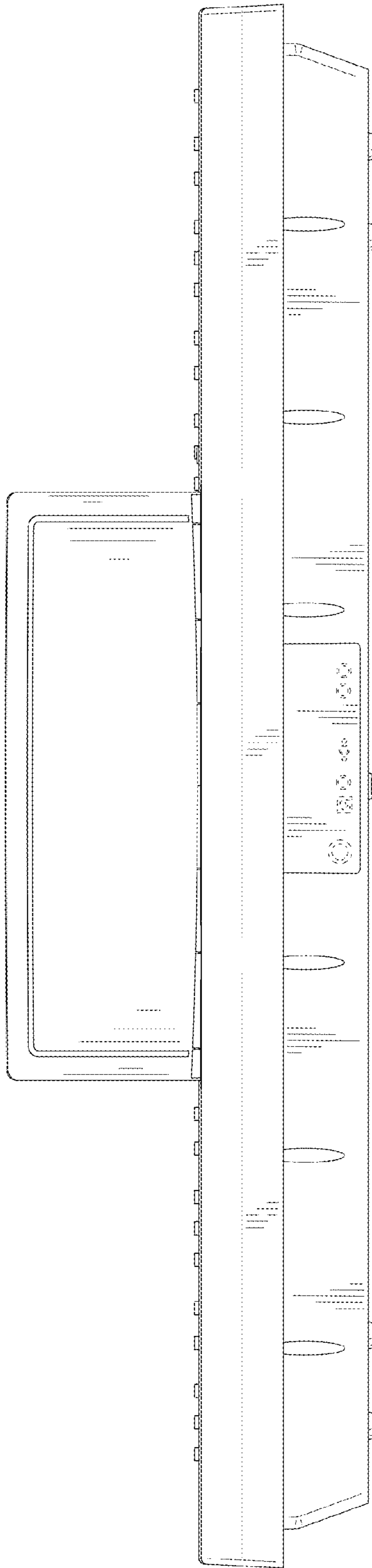


FIG. 5

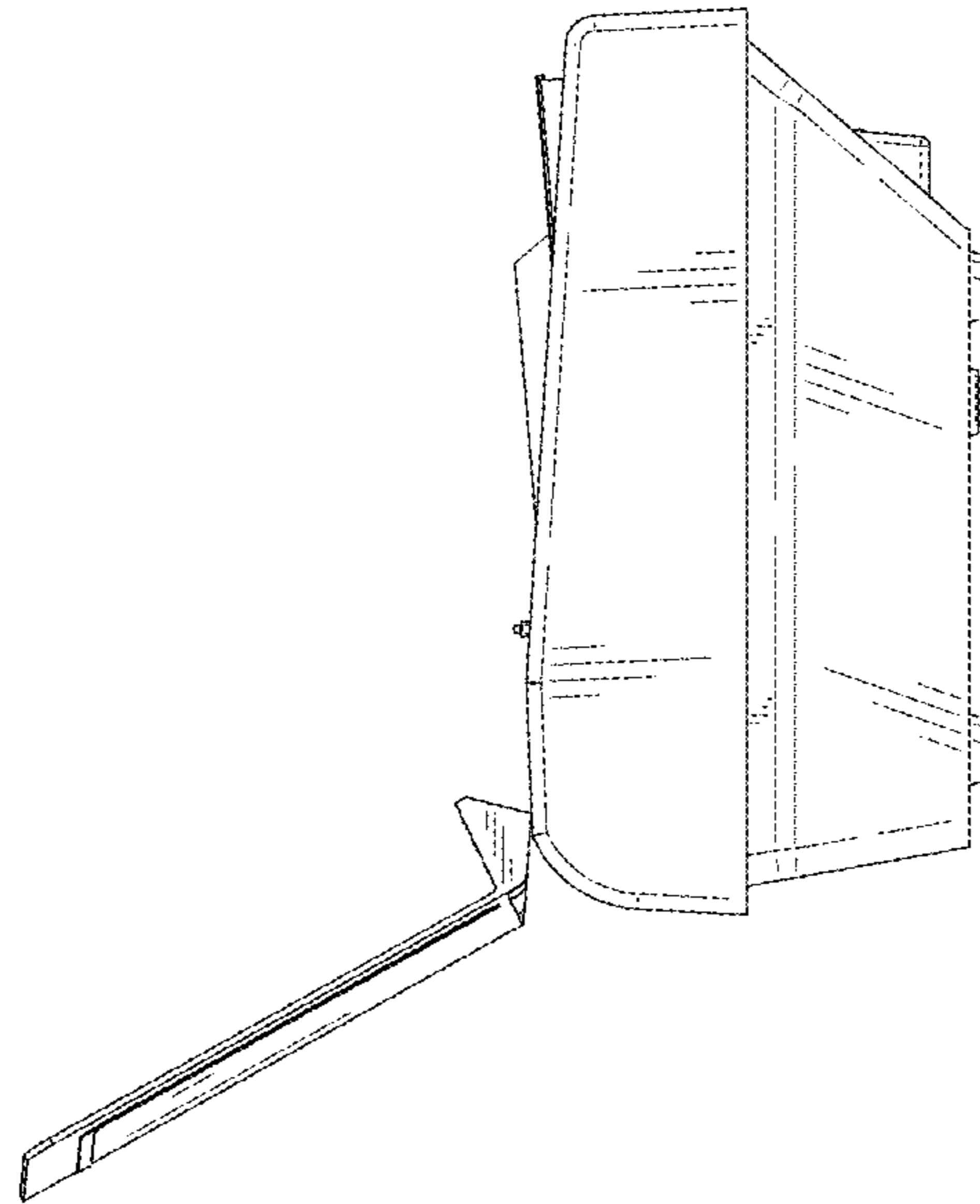


FIG. 6

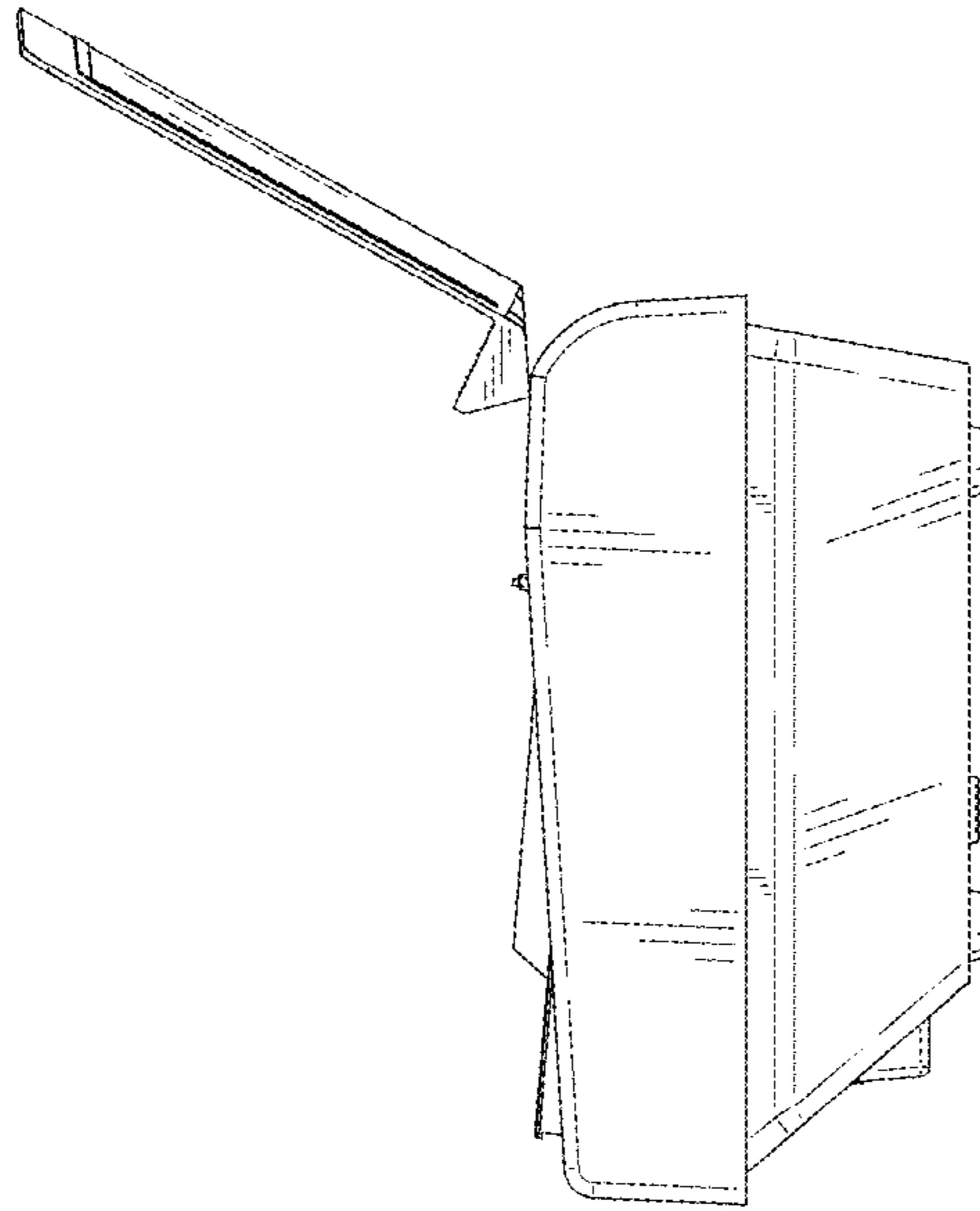


FIG. 7

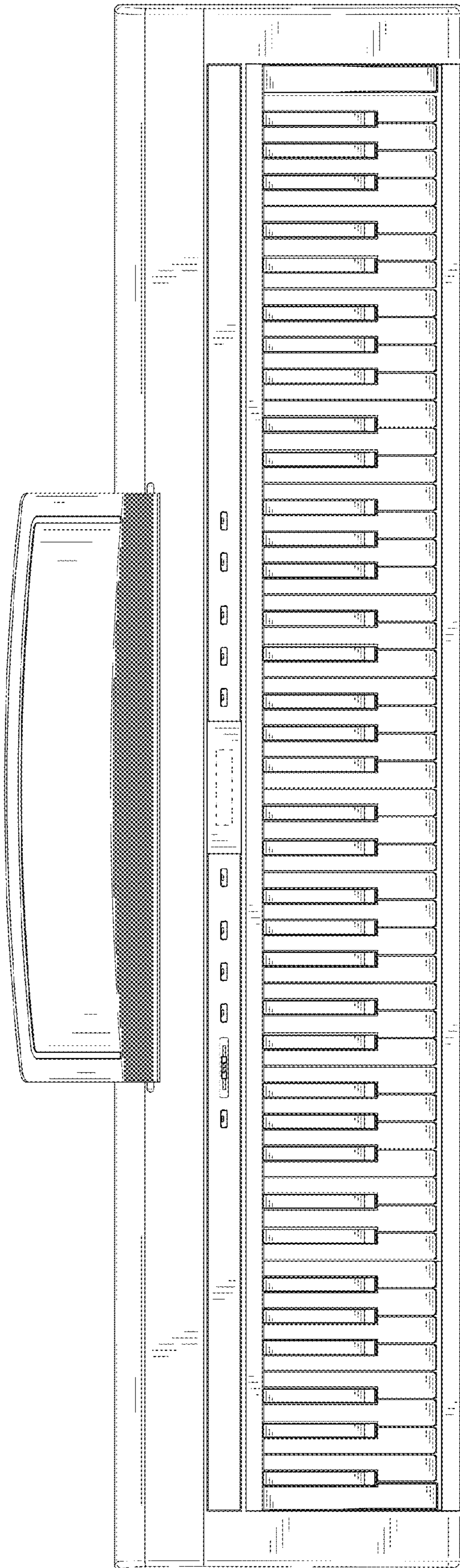


FIG. 8

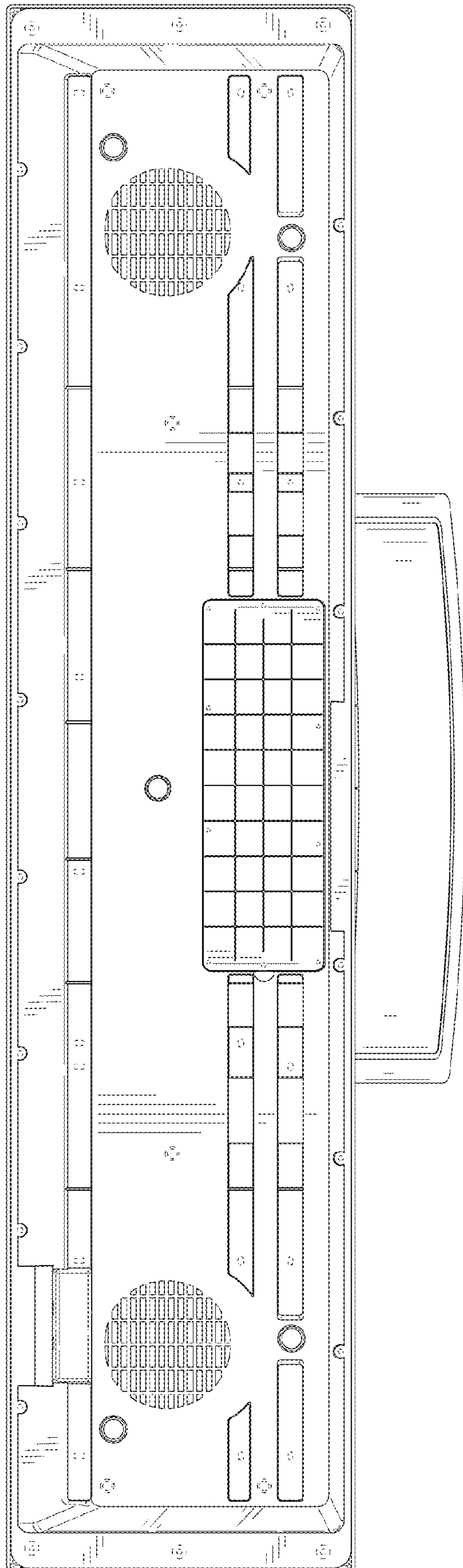


FIG. 9

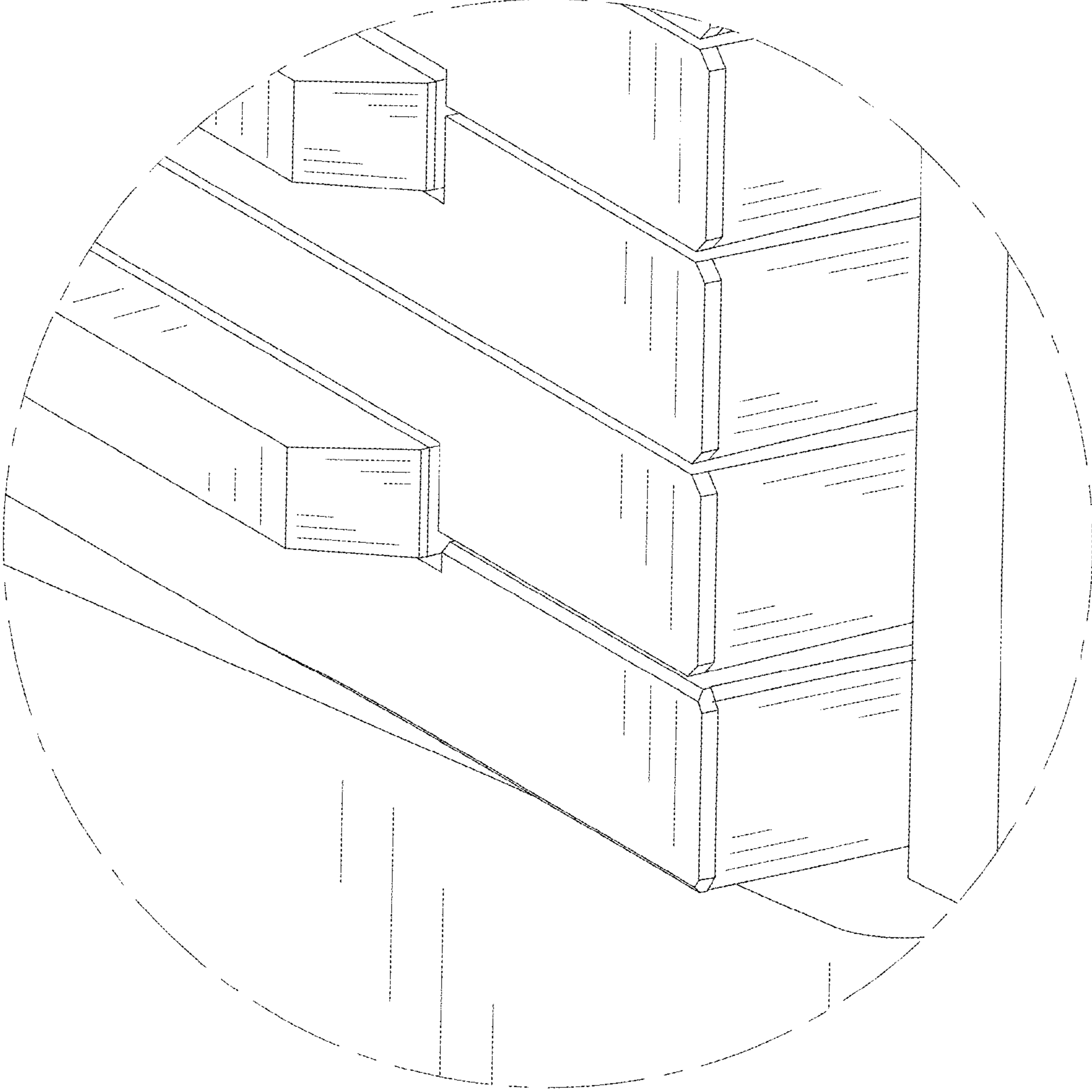


FIG. 10

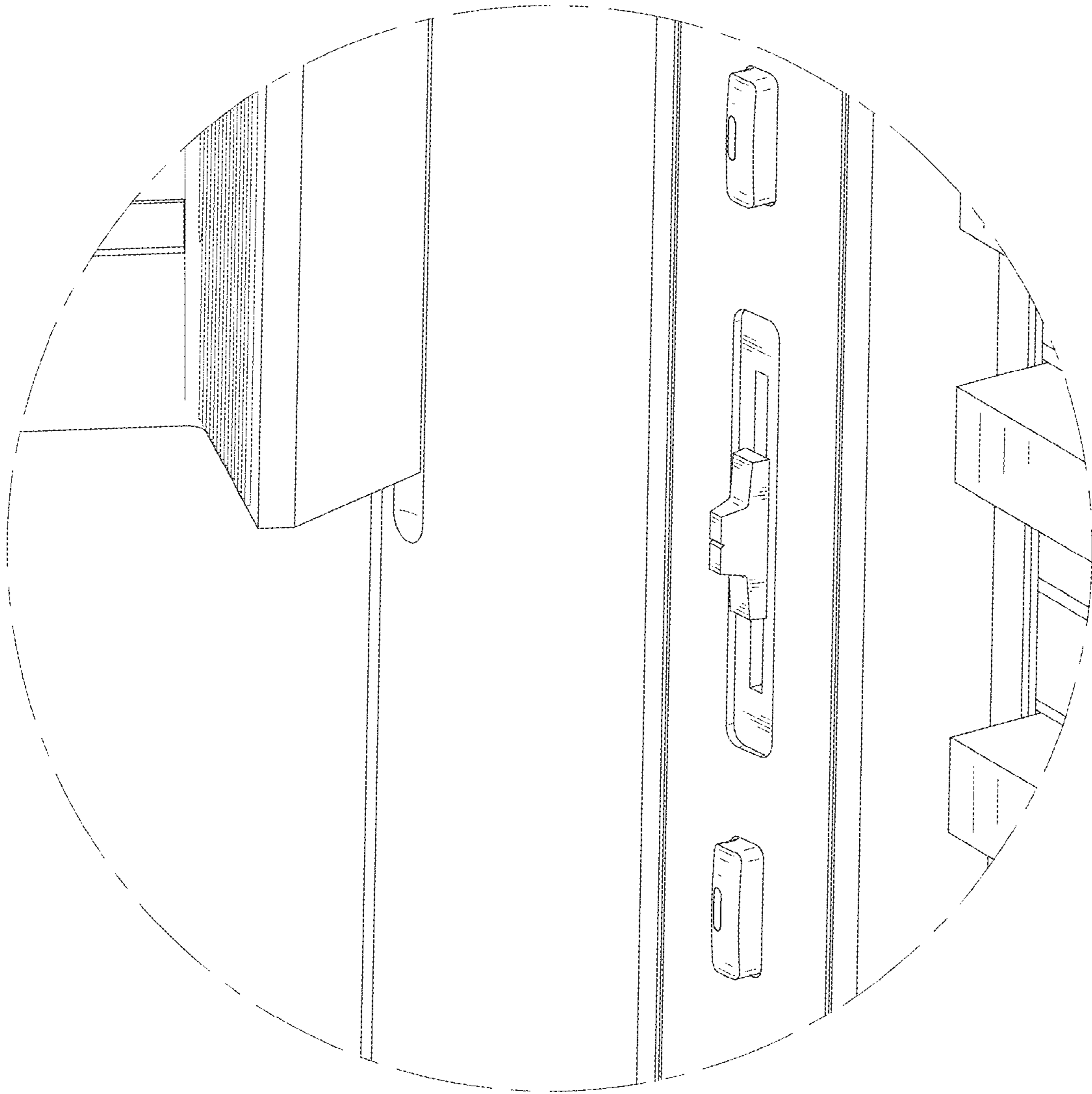


FIG. 11

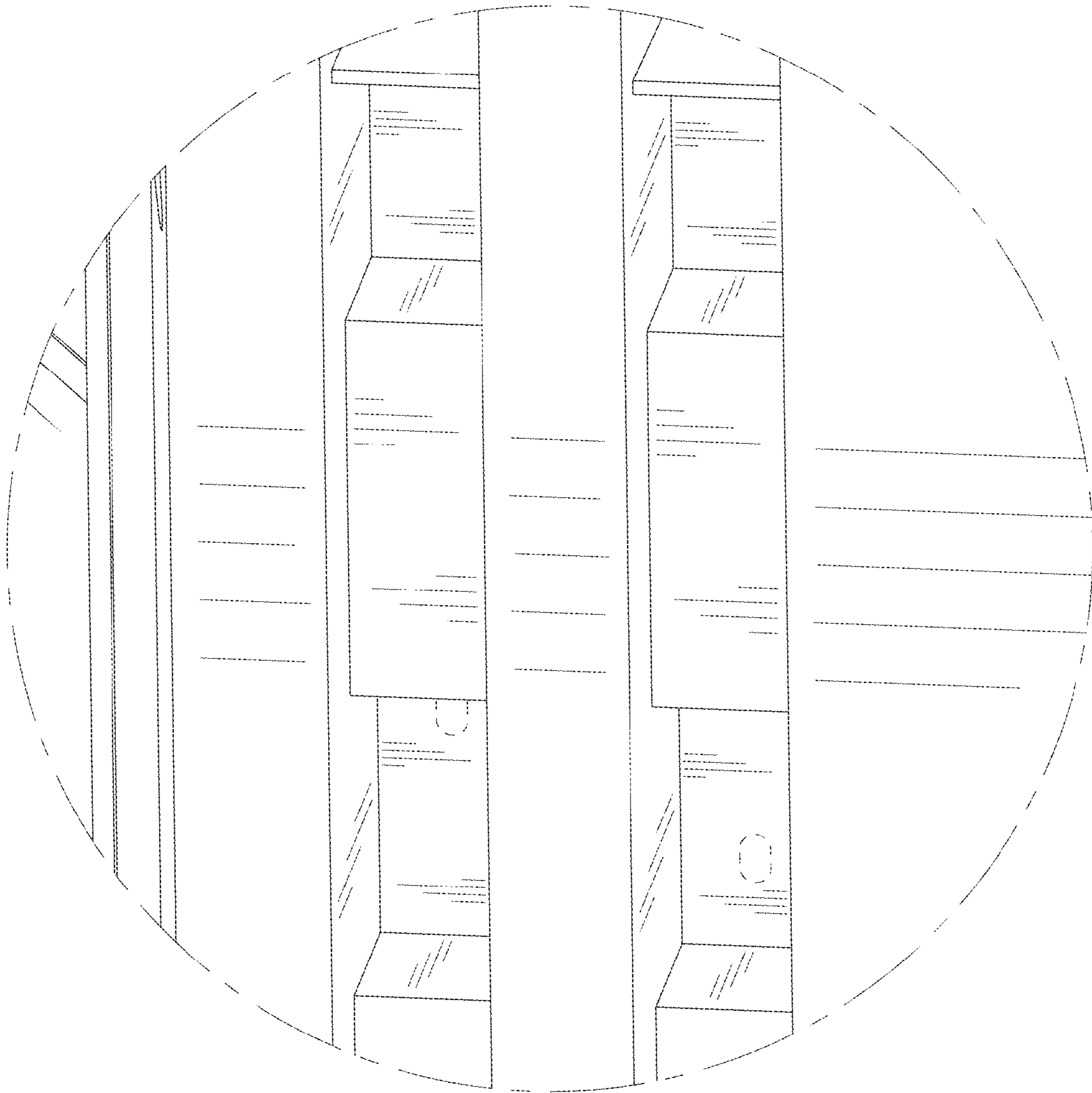


FIG. 12