



US00D976994S

(12) **United States Design Patent** (10) **Patent No.:** **US D976,994 S**
Wang et al. (45) **Date of Patent:** **** Jan. 31, 2023**

(54) **FIELD MONITOR MOUNT**
(71) Applicant: **SHENZHEN NEEWER TECHNOLOGY CO., LTD.**, Shenzhen (CN)

D841,642 S 2/2019 Eslava et al.
D852,877 S * 7/2019 Olmos-Calderon D16/245
D864,282 S * 10/2019 Liu D16/244
D888,814 S * 6/2020 Chen D16/244
D891,509 S * 7/2020 Elias D16/245
(Continued)

(72) Inventors: **Jun Wang**, Shenzhen (CN); **Yan Ke**, Shenzhen (CN)
(73) Assignee: **SHENZHEN NEEWER TECHNOLOGY CO., LTD.**, Shenzhen (CN)

FOREIGN PATENT DOCUMENTS

HK 2118937-0001 * 2/2022
HK 2118937-0002 * 2/2022

(**) Term: **15 Years**
(21) Appl. No.: **29/847,711**
(22) Filed: **Jul. 27, 2022**
(51) **LOC (14) Cl.** **16-06**
(52) **U.S. Cl.** **D16/245**
USPC **D16/245**
(58) **Field of Classification Search**
USPC D16/136, 219, 235, 237, 244, 245, 250;
D14/224, 229, 238, 251, 253, 447, 451,
D14/457
CPC F16M 11/06-10; F16M 11/14; G02B
7/00-002; G03B 17/56; G03B
17/561-566
See application file for complete search history.

OTHER PUBLICATIONS

Google Term Search: 'camera mount', [site visited Dec. 2, 2022]
<URL:https://www.google.com/search?q=camera+mount&sxsrf=ALiCzsZgVImXPWRztzhNFmCniP20ndxLMw:1670014329311&source=lnms&tbm=isch&sa=X&ved=2ahUKEwim0PiW6Nv7AhX9FlkFHZ0sD3gQ_AUoAnoECAIQBA&biw=1920&bih=1057&dpr=1> (Year: 2022).*

(Continued)

Primary Examiner — Sanjeev Paul
(74) *Attorney, Agent, or Firm* — ScienBiziP, P.C.

(57) **CLAIM**

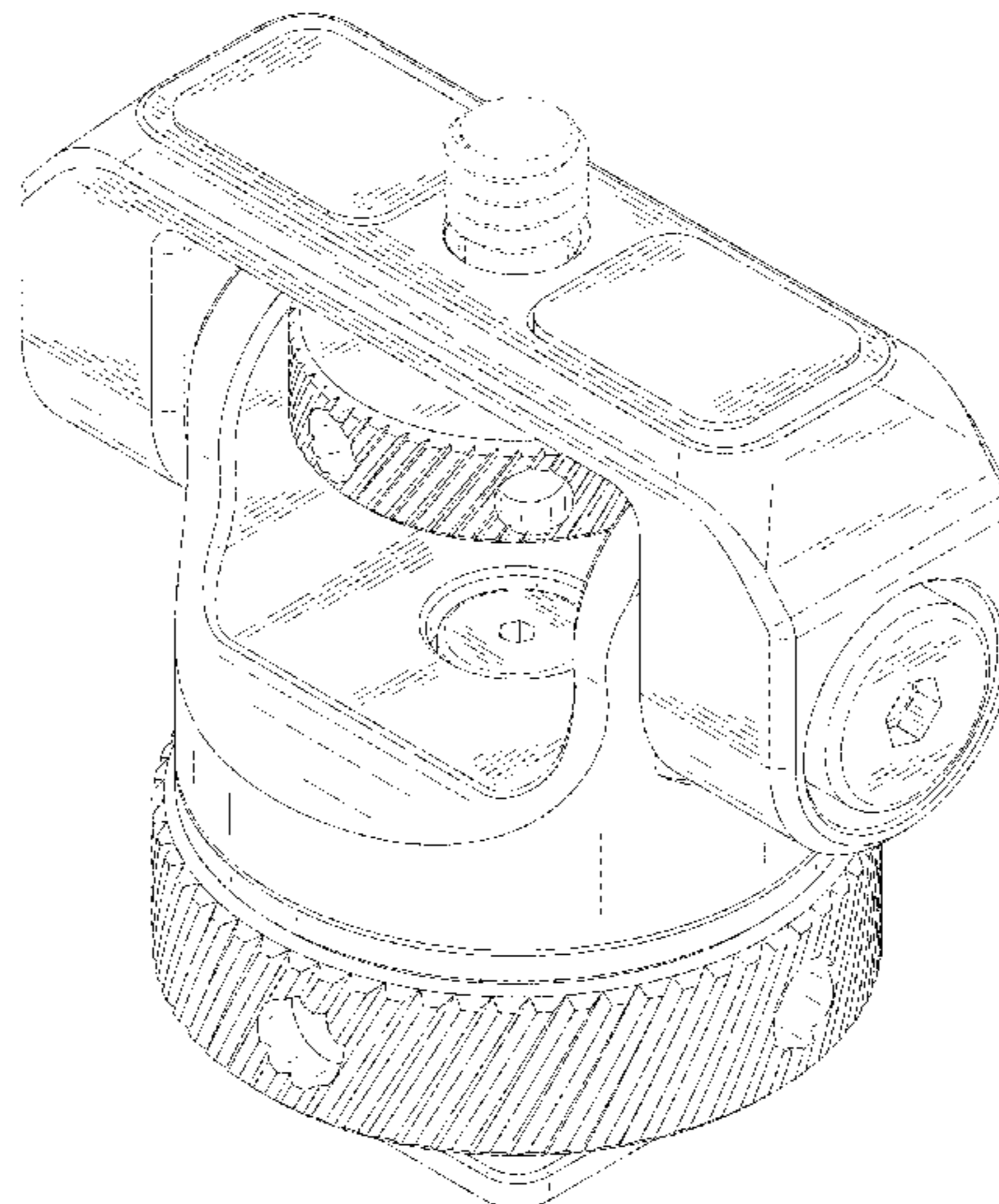
The ornamental design for a field monitor mount, as shown and described.

DESCRIPTION

FIG. 1 is a front, right and top perspective view of a field monitor mount, showing our design.
FIG. 2 is a rear, left and bottom perspective view thereof.
FIG. 3 is a front elevation view thereof.
FIG. 4 is a rear elevation view thereof.
FIG. 5 is a left side elevation view thereof.
FIG. 6 is a right side elevation view thereof.
FIG. 7 is a top plan view thereof; and,
FIG. 8 is a bottom plan view thereof.
The broken lines shown in the drawings are included for the purpose of illustrating portions of the field monitor mount that form no part of the claimed design.

(56) **References Cited**
U.S. PATENT DOCUMENTS
D245,988 S * 10/1977 Miller D16/245
D246,528 S * 11/1977 Miller D16/245
D292,982 S * 12/1987 Nakatani D16/245
D366,887 S * 2/1996 Wood D16/245
D483,788 S * 12/2003 Dordick D16/245
D525,642 S * 7/2006 Yamaguchi D16/245
D564,567 S * 3/2008 Dordick D16/245
D621,865 S * 8/2010 Chidester D16/245
D629,828 S * 12/2010 Guidolin D16/245
D630,240 S * 1/2011 Torbitt D16/245
9,503,628 B1 * 11/2016 Alsalamah F16M 11/08
D797,179 S * 9/2017 Dordick D16/245

1 Claim, 8 Drawing Sheets



(56)

References Cited

U.S. PATENT DOCUMENTS

D891,510 S * 7/2020 Elias D16/245
D894,999 S * 9/2020 Clark D16/245
D895,716 S * 9/2020 Chen D16/244
D922,394 S 6/2021 Lu
D957,274 S * 7/2022 Dordick D16/245
D957,510 S * 7/2022 Lin D16/244
D967,244 S * 10/2022 Matthews D16/245
D969,204 S * 11/2022 Shen D16/244
2021/0141293 A1 * 5/2021 Clark G03B 17/566

OTHER PUBLICATIONS

Google Term Search: 'camera mount head', [site visited Dec. 2, 2022] <URL:https://www.google.com/search?q=camera+mount+head&sxsrf=ALiCzsYXWMwYoG-RTVaoZ7wYIAPsrJ7vEg:1670014955890&source=lnms&tbm=isch&sa=X&ved=2ahUKEwiVmdzB6tv7AhV5EWIAHfLBDFYQ_AUoAnoECAEQBA&biw=1920&bih=1057&dpr=1> (Year: 2022).* "Smallrig Monitor Mount with Cold Shoe", earliest review unknown, [online], [site visited Dec. 2, 2022]. Available from Internet, <URL:<https://mpex.com/smallrig-tilting-monitor-mount-with-cold-shoe.html>> (Year: 2022).*

Google Term Search: 'field monitor mount', [site visited Dec. 2, 2022] <URL:https://www.google.com/search?q=field+monitor+mount&sxsrf=ALiCzsZ8mj53dQVY0BnOLHFJR67mF199jg:1670031472215&source=lnms&tbm=isch&sa=X&ved=2ahUKEwj216iFqNz7AhWCFFkFHZOMBMEQ_AUoAnoECAEQBA&biw=1920&bih=1057&dpr=1> (Year: 2022).*

* cited by examiner

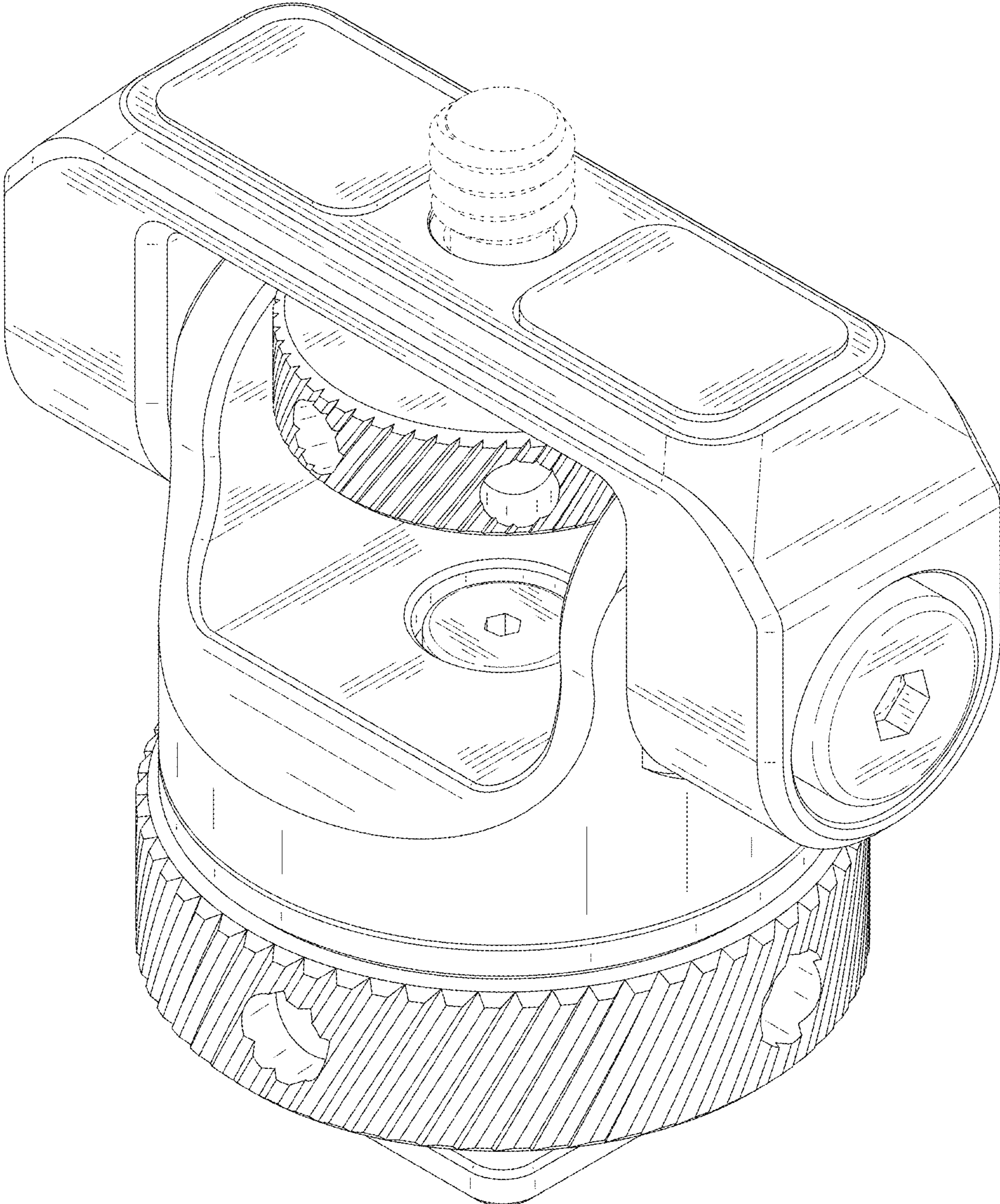


FIG. 1

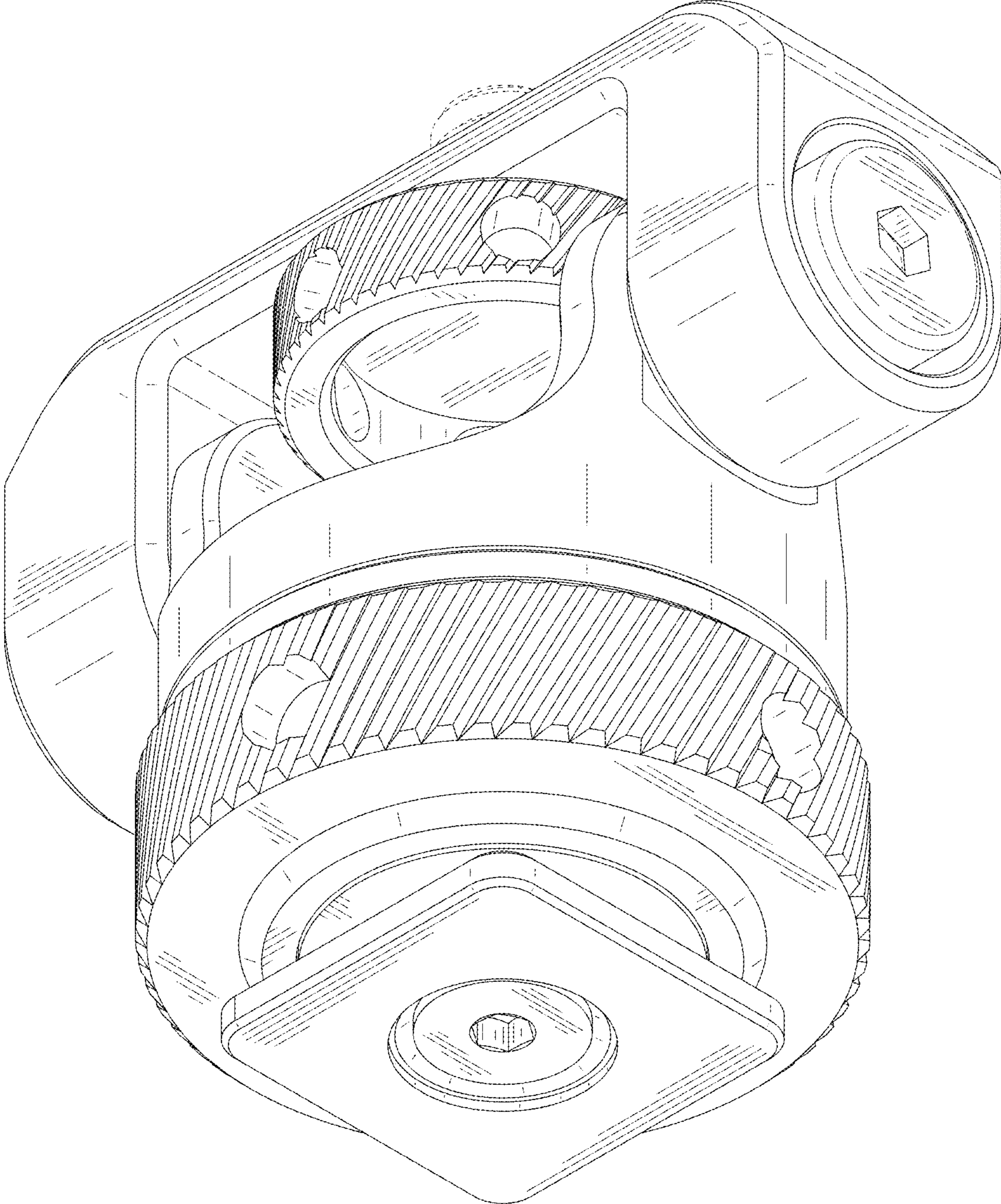


FIG. 2

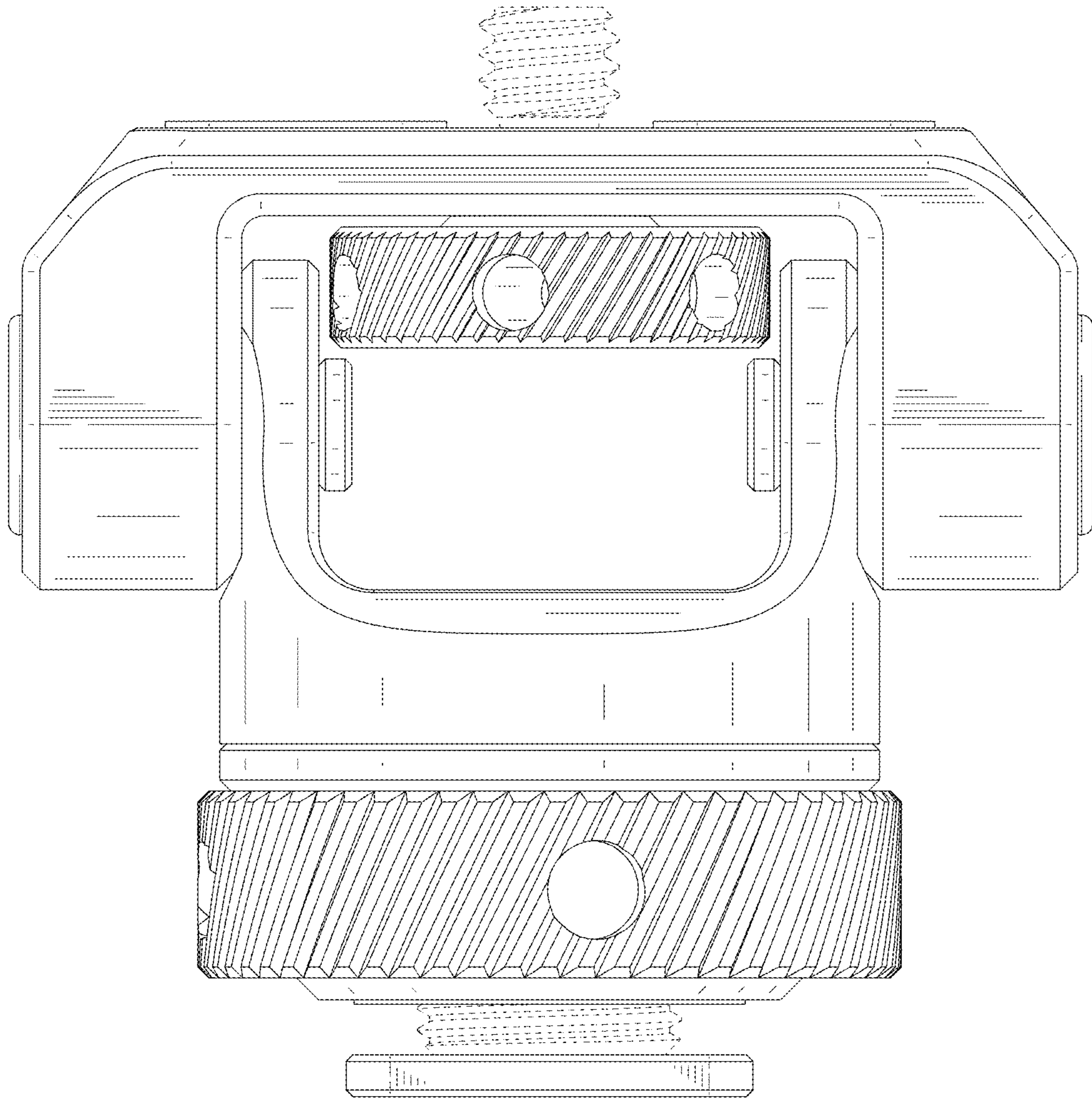


FIG. 3

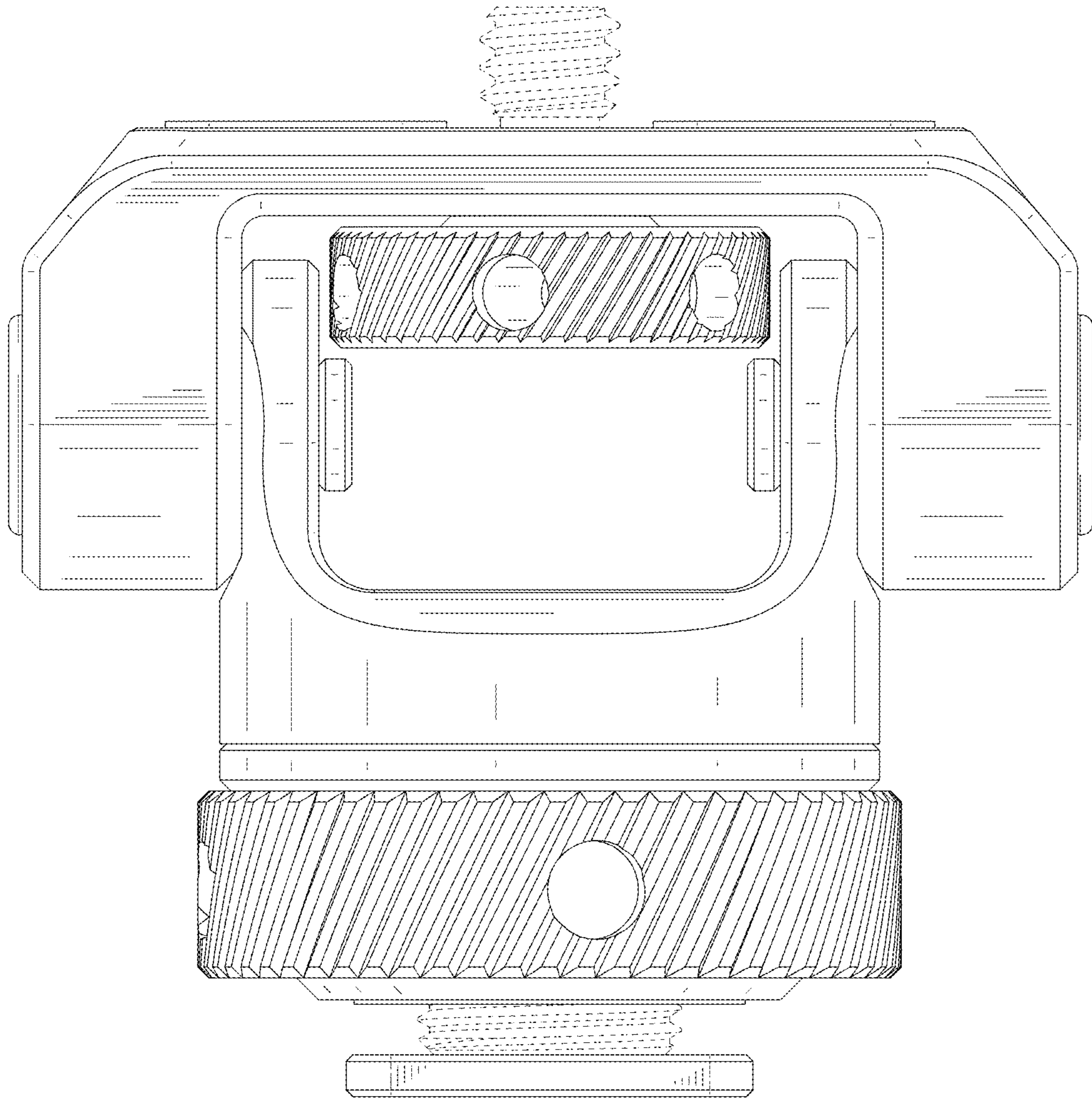


FIG. 4

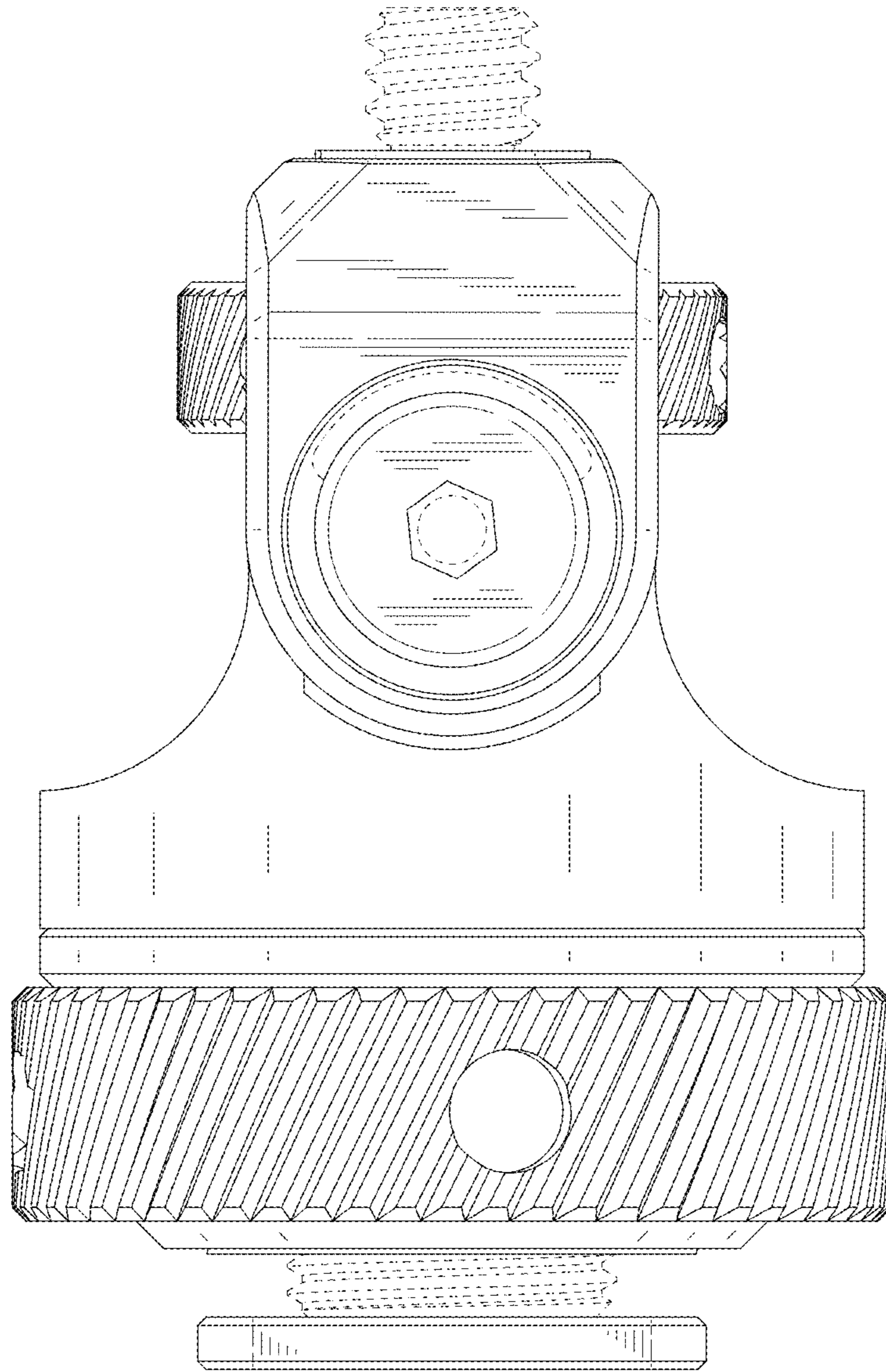


FIG. 5

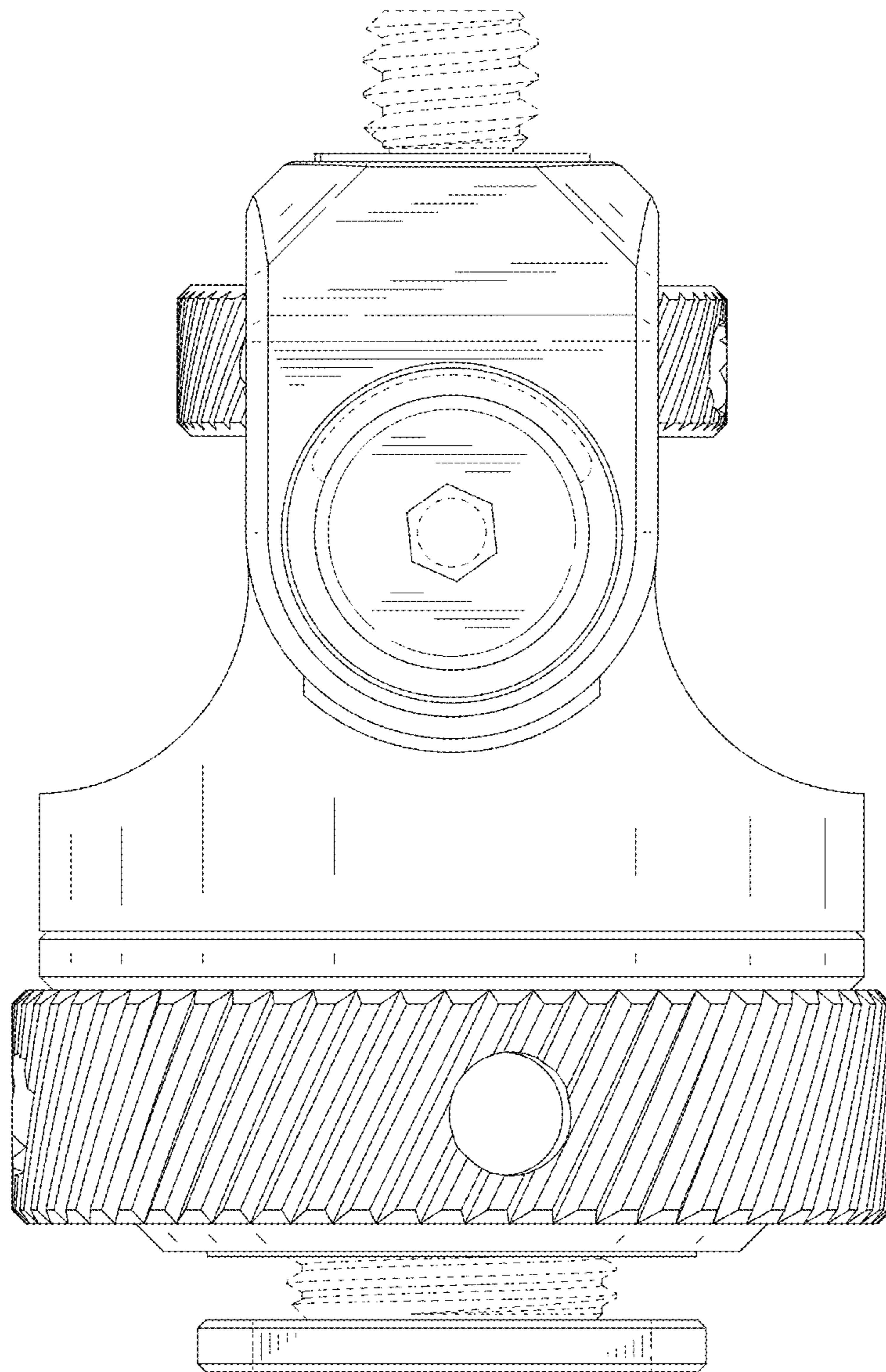


FIG. 6

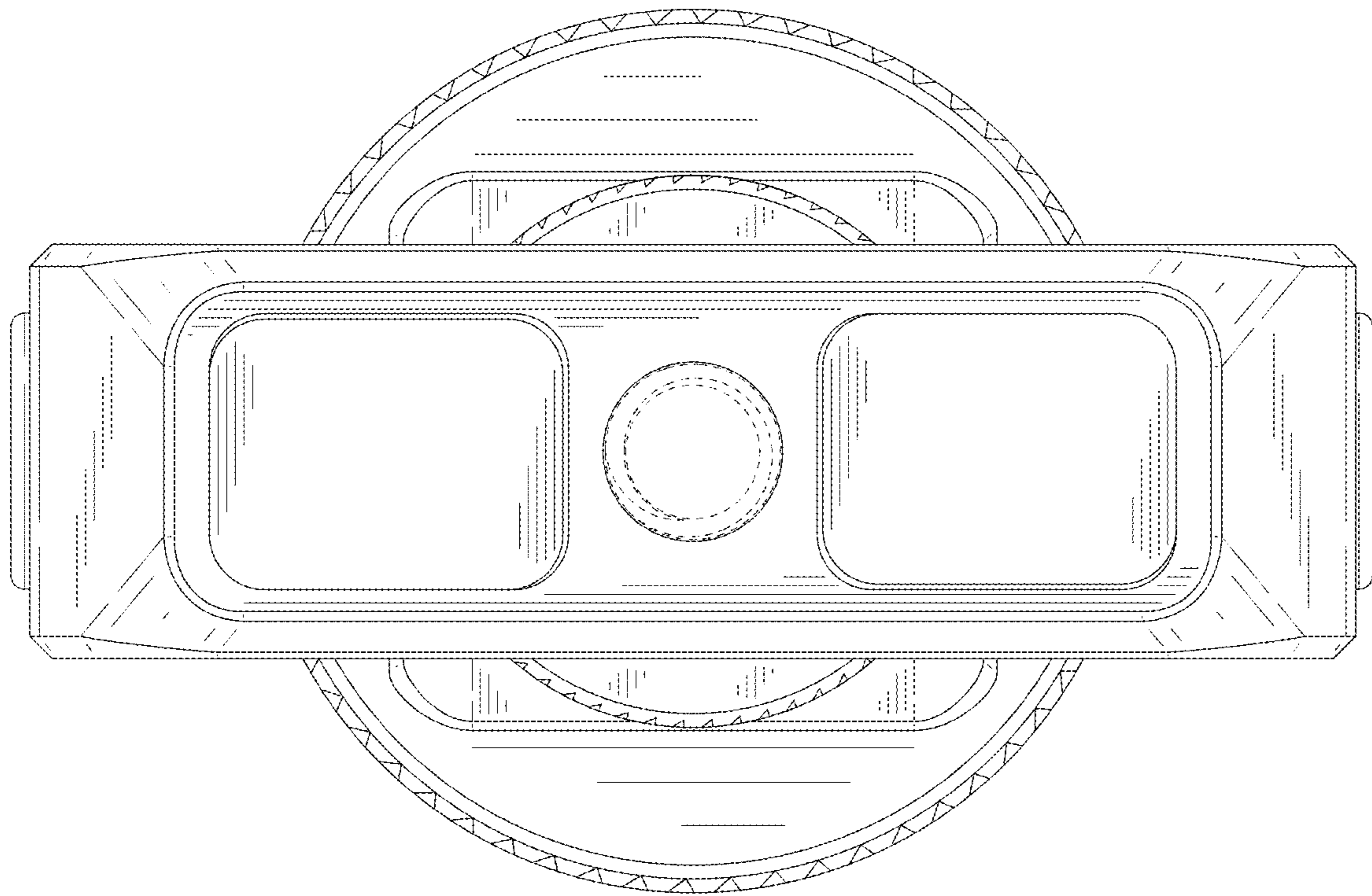


FIG. 7

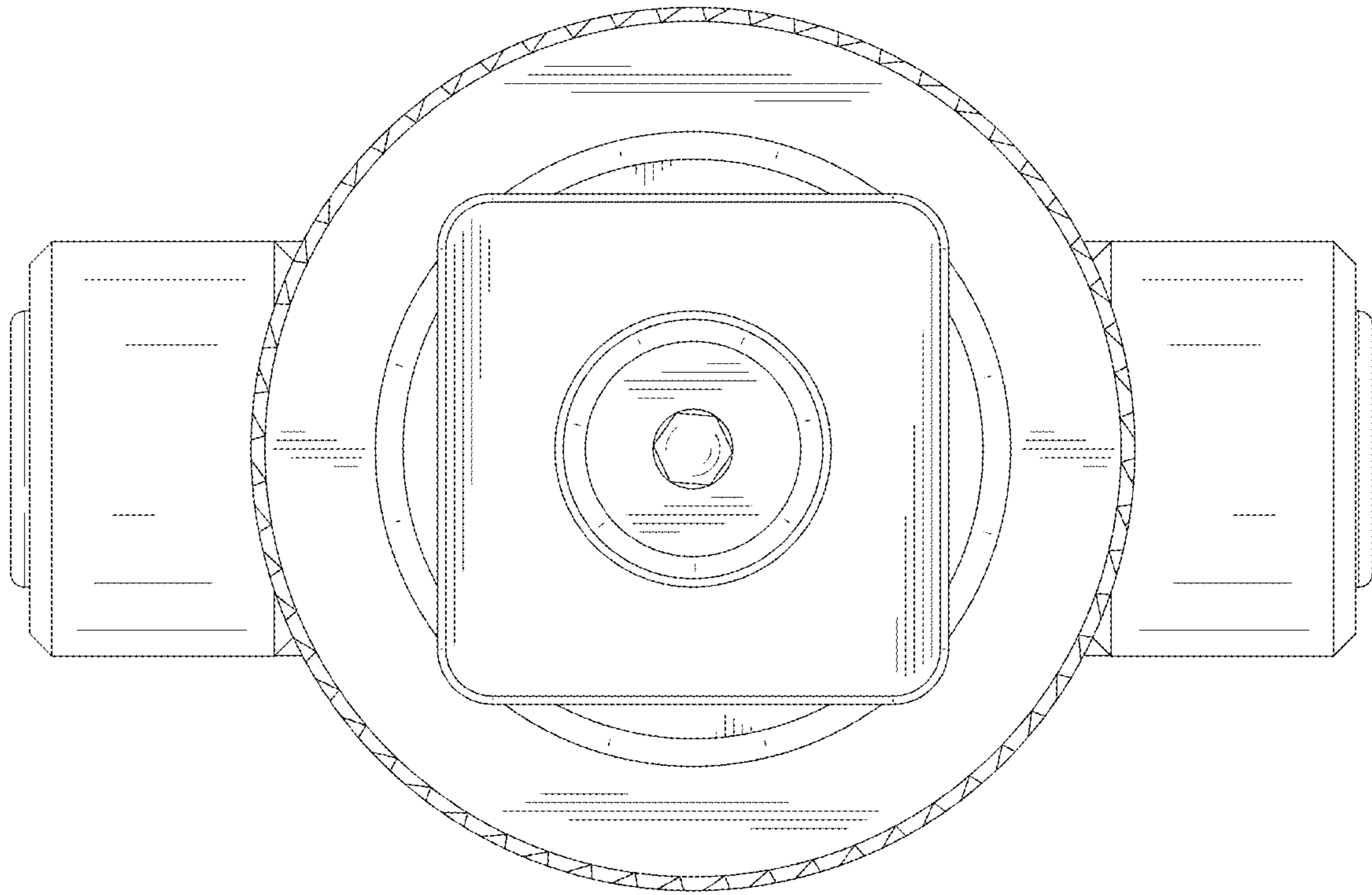


FIG. 8