



US00D976991S

(12) **United States Design Patent**  
**Wang**

(10) **Patent No.:** **US D976,991 S**  
(45) **Date of Patent:** **\*\* Jan. 31, 2023**

(54) **CALIBRATION CAMERA FOR A VEHICLE**

(71) Applicant: **AUTEL INTELLIGENT TECHNOLOGY CORP., LTD.,**  
Guangdong (CN)

(72) Inventor: **Yongshuai Wang,** Guangdong (CN)

(73) Assignee: **AUTEL INTELLIGENT TECHNOLOGY CORP., LTD.,**  
Guangdong (CN)

(\*\*) Term: **15 Years**

(21) Appl. No.: **29/770,767**

(22) Filed: **Feb. 16, 2021**

(30) **Foreign Application Priority Data**

Sep. 11, 2020 (CN) ..... 202030540426.2

(51) **LOC (14) Cl.** ..... **16-05**

(52) **U.S. Cl.**  
USPC ..... **D16/237; D16/200**

(58) **Field of Classification Search**  
USPC ..... D10/70; D16/200-221, 237, 238  
CPC .... H04N 13/30; H04N 13/302; H04N 13/305;  
H04N 13/307; H04N 13/327; G01B  
11/002; G01S 7/497; G01S 7/4972  
See application file for complete search history.

(56) **References Cited**

**U.S. PATENT DOCUMENTS**

D489,744 S \* 5/2004 Muto ..... D16/203  
D612,757 S \* 3/2010 D'Amelio ..... D10/70  
8,188,432 B1 \* 5/2012 Nguyen ..... H04N 5/2252  
250/353  
9,838,599 B1 \* 12/2017 Tam ..... H04N 5/2254

10,298,819 B2 \* 5/2019 Sheridan ..... G03B 17/12  
D894,991 S \* 9/2020 Park ..... D16/202  
D896,862 S \* 9/2020 Sun ..... D16/202  
D908,165 S \* 1/2021 Holland ..... D16/244  
D959,537 S \* 8/2022 Tremblay ..... D16/218  
2018/0020206 A1 \* 1/2018 Sheridan ..... H04N 13/327  
2019/0249985 A1 \* 8/2019 Stieff ..... G01S 7/4972  
2020/0236254 A1 \* 7/2020 Chang ..... H04N 5/2258  
2020/0271267 A1 \* 8/2020 Govekar ..... G01B 11/00  
2022/0221556 A1 \* 7/2022 Elliott ..... G01S 17/88

**OTHER PUBLICATIONS**

Autel Intelligent ADAS IA800 Introduction Youtube, <https://www.youtube.com/watch?v=FnNSTDmBV3Y>, Dec. 18, 2020 (Year: 2020).  
ADAS IA800 screencapture, <https://www.youtube.com/watch?v=FnNSTDmBV3Y>, Dec. 18, 2020 (Year: 2020).\*

\* cited by examiner

*Primary Examiner* — Richard Kearney  
*Assistant Examiner* — Benjamin M Weeks

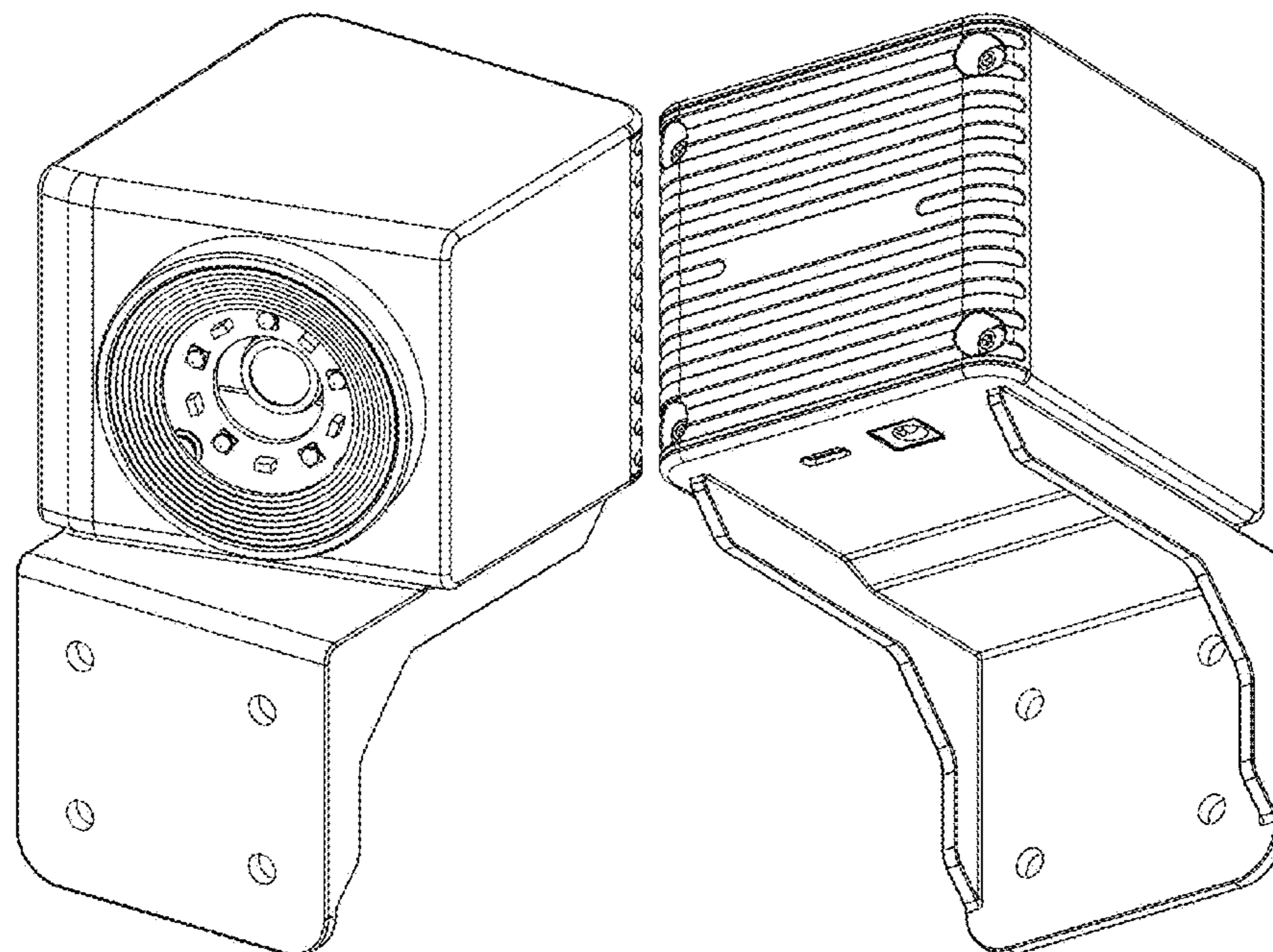
(57) **CLAIM**

I claim the ornamental design for a calibration camera for a vehicle, as shown and described.

**DESCRIPTION**

FIG. 1 is a front elevational view of a calibration camera for a vehicle showing our new design;  
FIG. 2 is a back elevational view thereof;  
FIG. 3 is a left side elevational view thereof;  
FIG. 4 is a right side elevational view thereof;  
FIG. 5 is a top plan view thereof;  
FIG. 6 is a bottom plan view thereof;  
FIG. 7 is a first perspective view thereof; and,  
FIG. 8 is a second perspective view thereof.

**1 Claim, 8 Drawing Sheets**



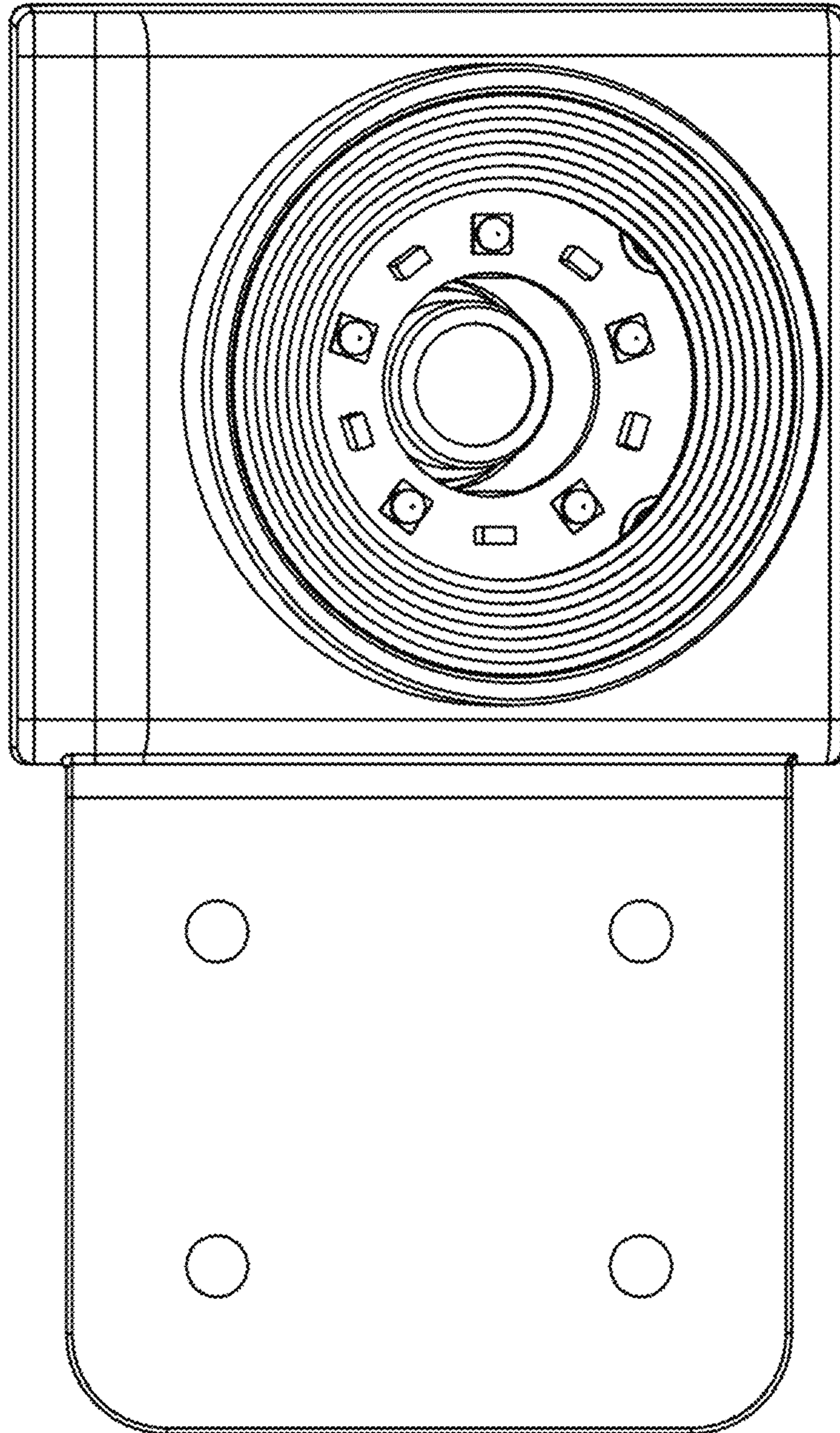


FIG. 1

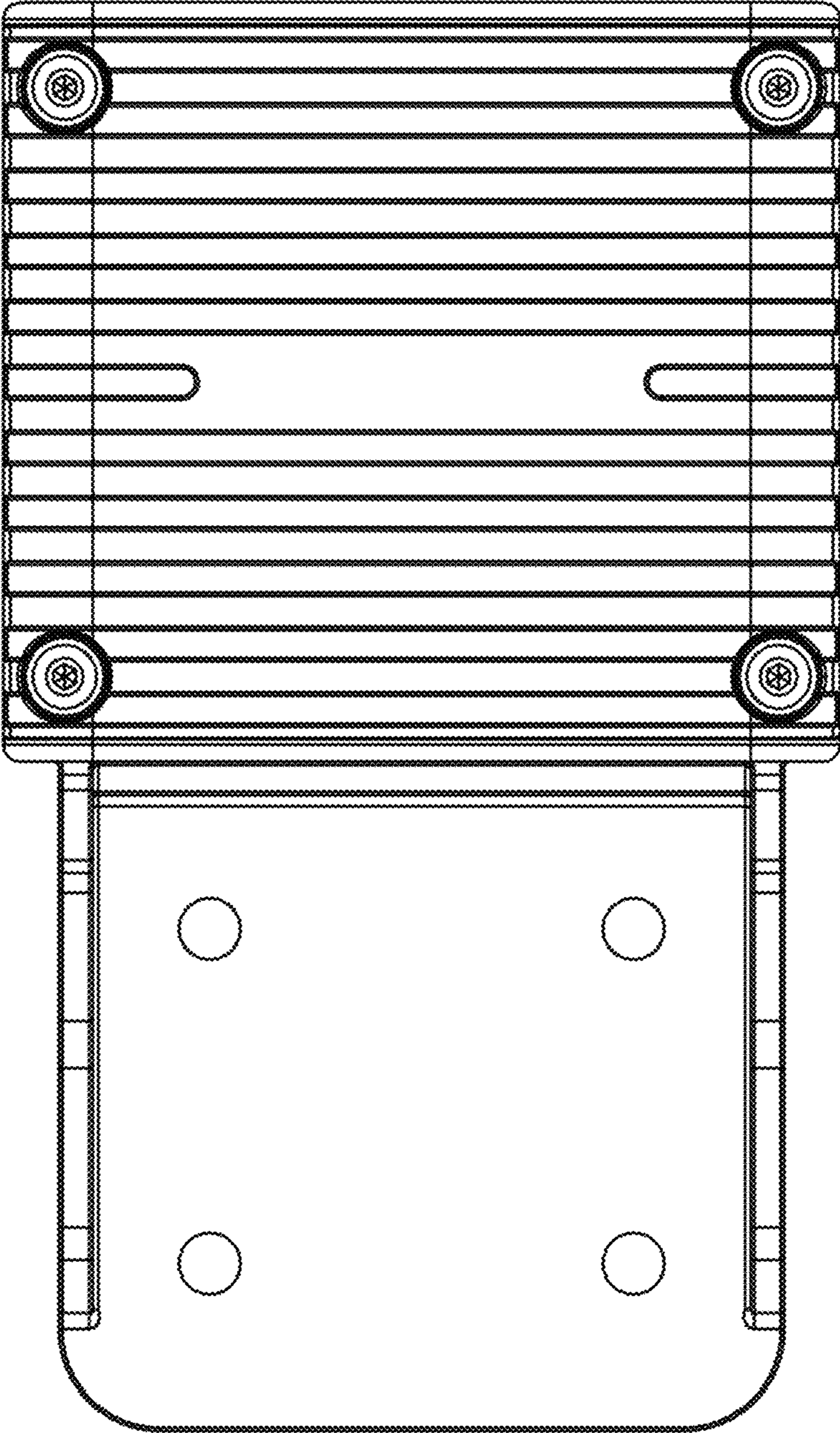


FIG.2

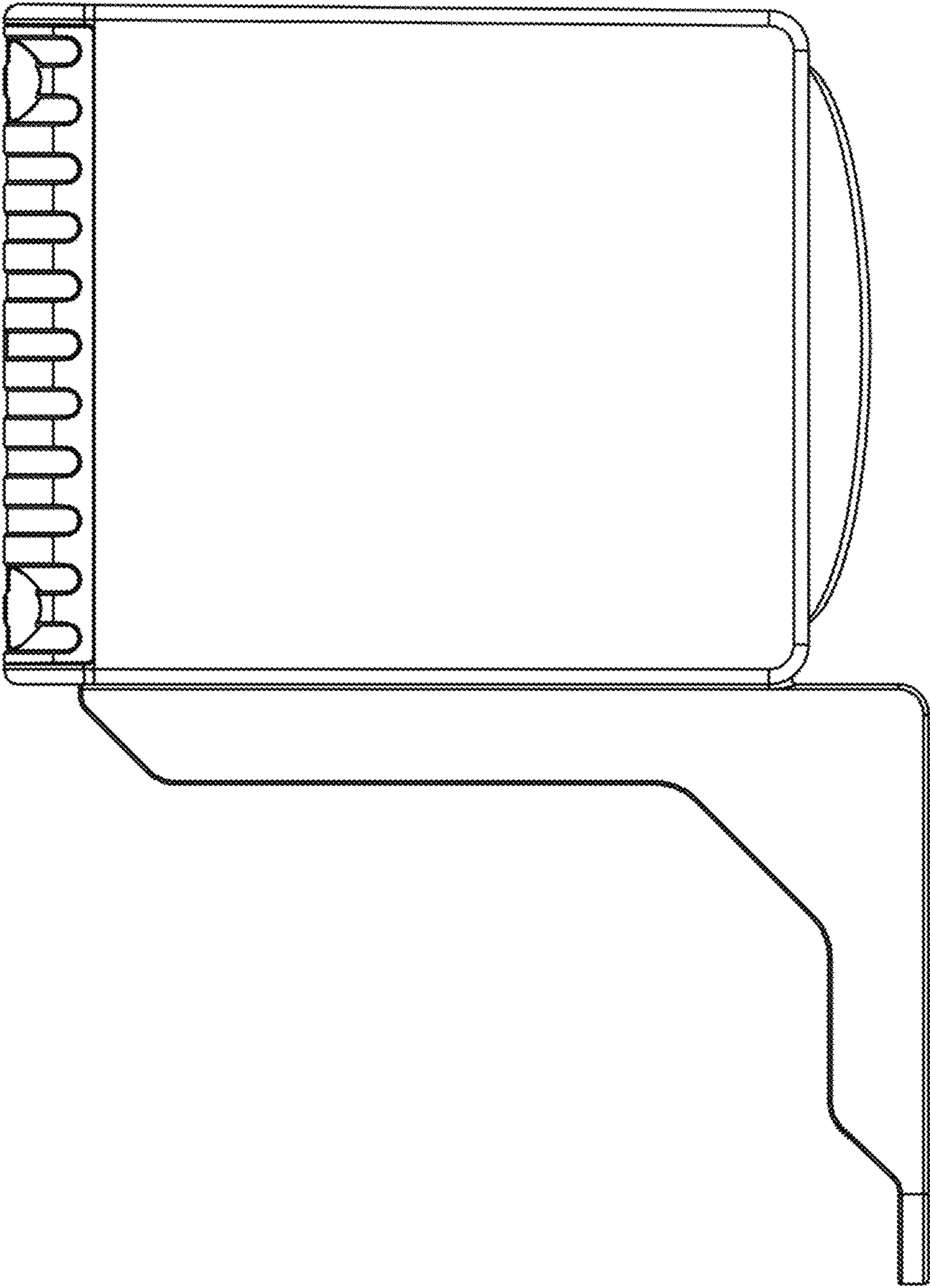


FIG.3

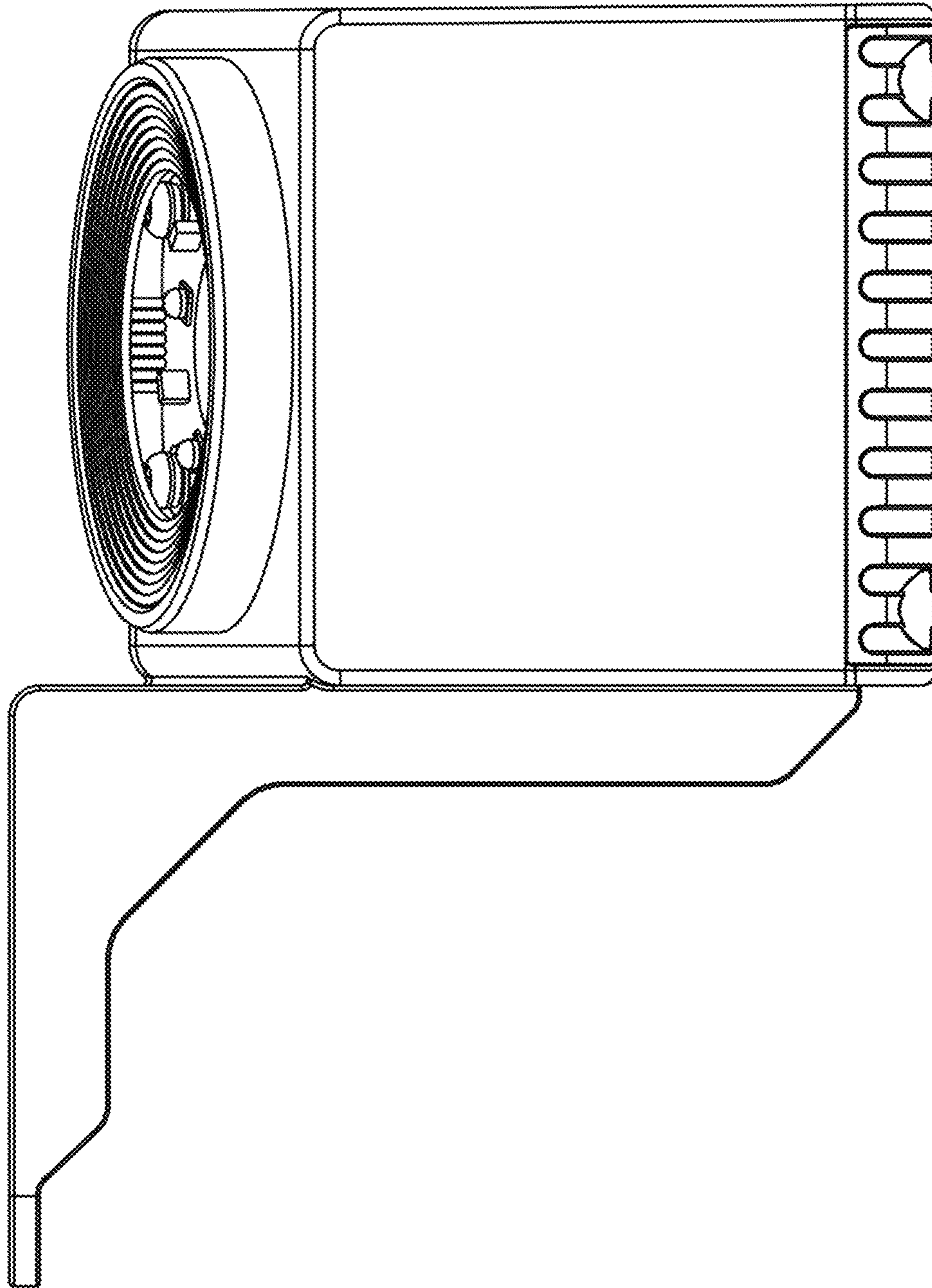


FIG.4

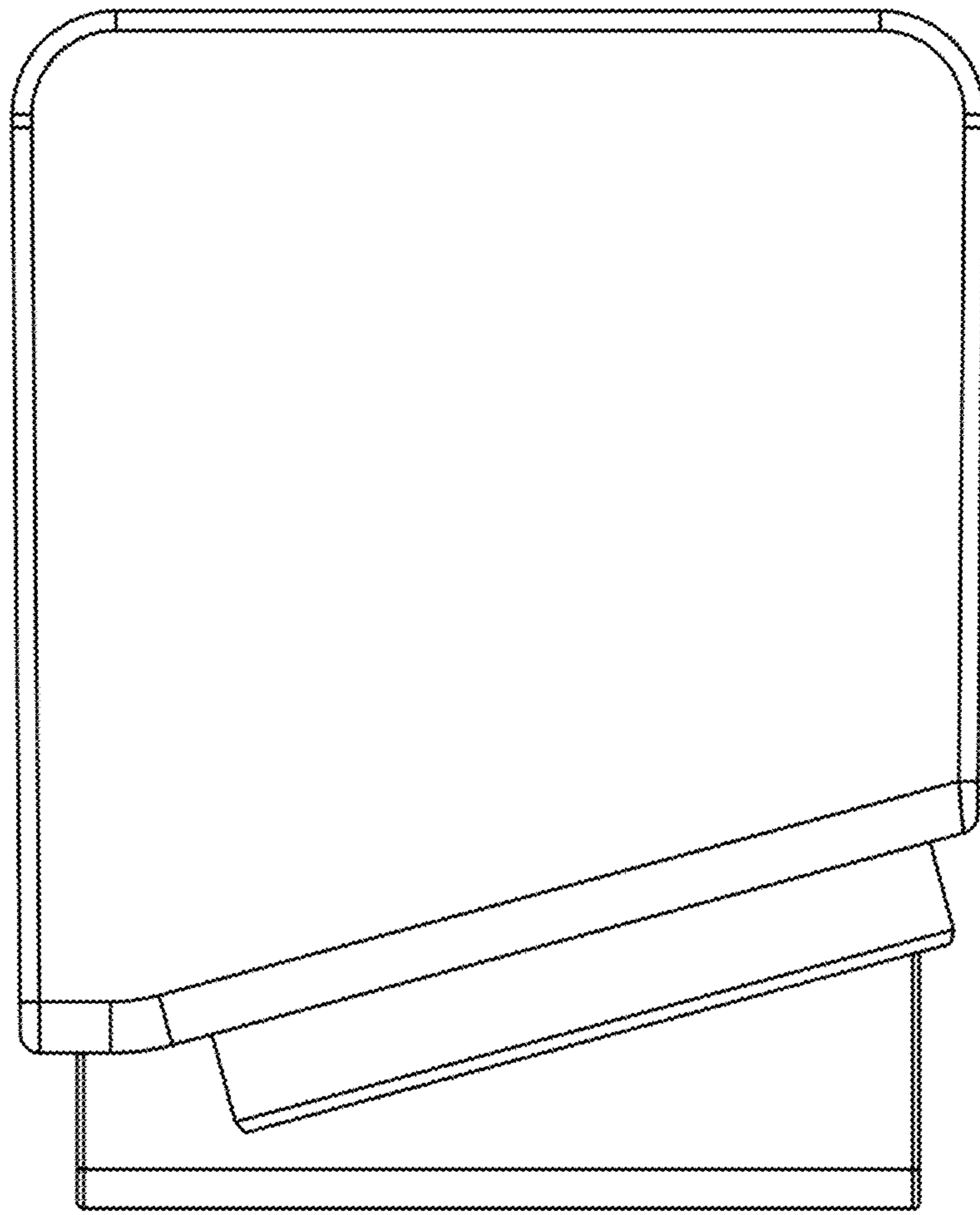


FIG.5

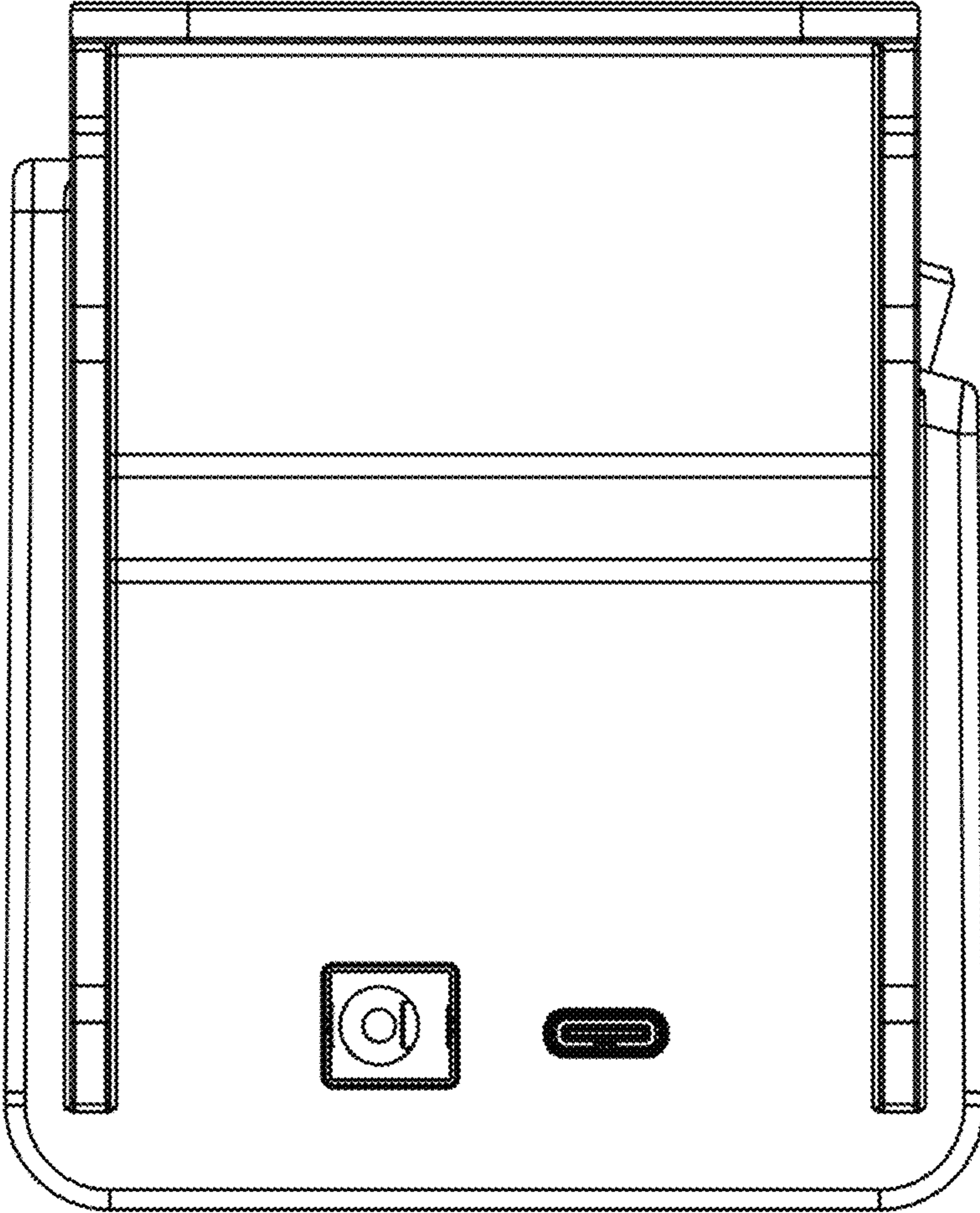


FIG.6

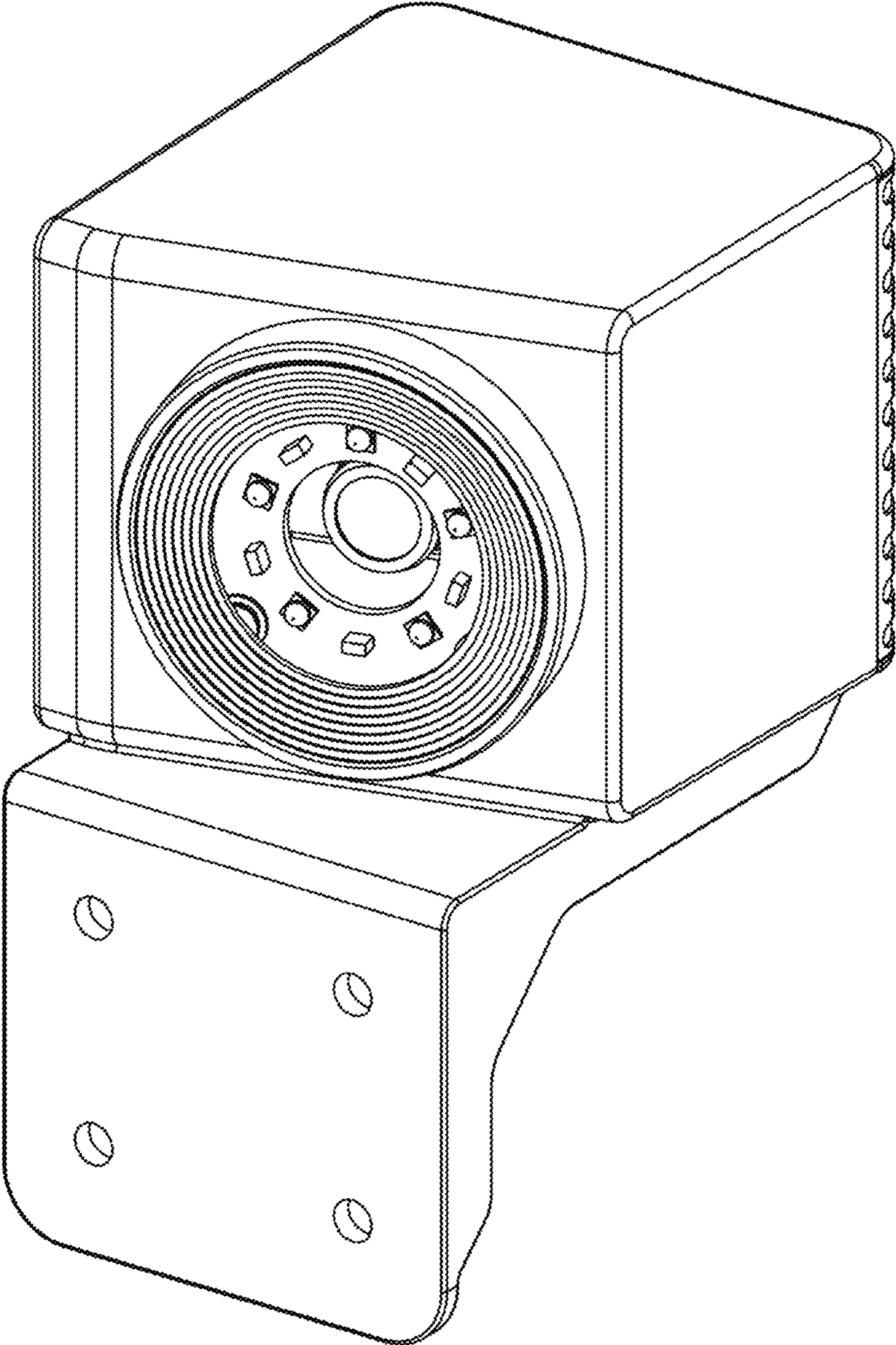


FIG.7



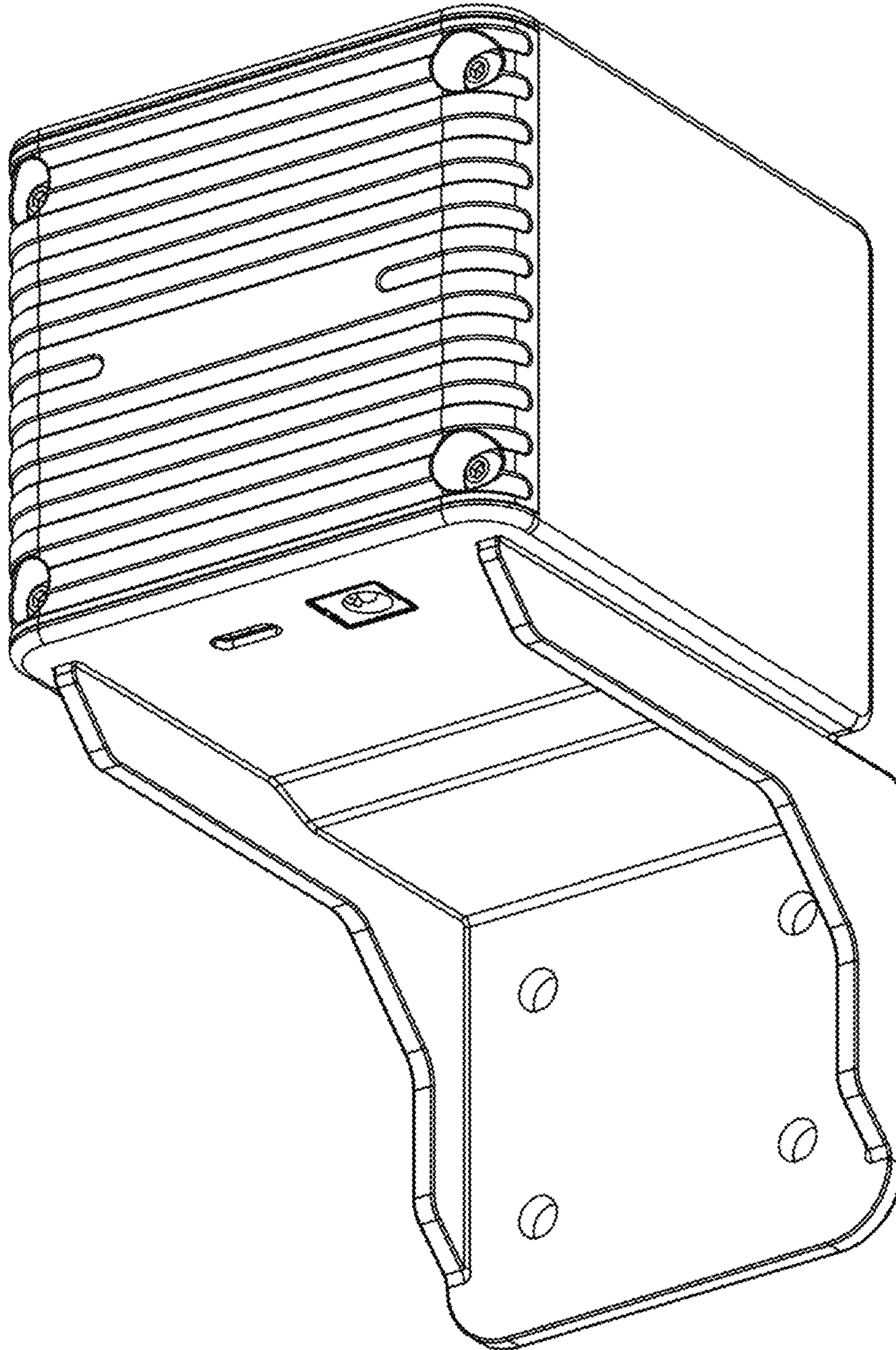


FIG.8