

US00D976989S

(12) **United States Design Patent**
Tang

(10) **Patent No.:** **US D976,989 S**

(45) **Date of Patent:** **** Jan. 31, 2023**

(54) **PROJECTOR**

(71) Applicant: **Zhongke Technology (Shenzhen) Co., Ltd.**, Shenzhen (CN)

(72) Inventor: **Yajun Tang**, Shenzhen (CN)

(**) Term: **15 Years**

(21) Appl. No.: **29/841,341**

(22) Filed: **Jun. 6, 2022**

(51) **LOC (14) Cl.** **16-02**

(52) **U.S. Cl.**
USPC **D16/230; D16/225**

(58) **Field of Classification Search**
USPC D16/221, 225, 229-231, 234, 203, 208;
D21/514

CPC G03B 21/16; G03B 21/14; G03B 21/145;
G03B 21/00; G03B 21/001; G03B
21/003; G03B 21/12

See application file for complete search history.

(56) **References Cited**

U.S. PATENT DOCUMENTS

D831,096 S 10/2018 Gao
D834,636 S 11/2018 Gan

D865,033 S 10/2019 Cheng
D866,643 S * 11/2019 Liang D16/230
D943,657 S 2/2022 Li
D949,230 S 4/2022 Xia
D949,951 S 4/2022 Wei
D950,631 S * 5/2022 Liang D16/230
D952,024 S * 5/2022 Yamamoto D16/230
D958,229 S * 7/2022 Wei D16/230

* cited by examiner

Primary Examiner — Wan Laymon

(74) *Attorney, Agent, or Firm* — Runit Ranjit Kanakia

(57) **CLAIM**

The ornamental design for a projector, as shown and described.

DESCRIPTION

FIG. 1 is a front perspective view of a projector showing my new design;

FIG. 2 is a front view thereof;

FIG. 3 is a rear view thereof;

FIG. 4 is a left side view thereof;

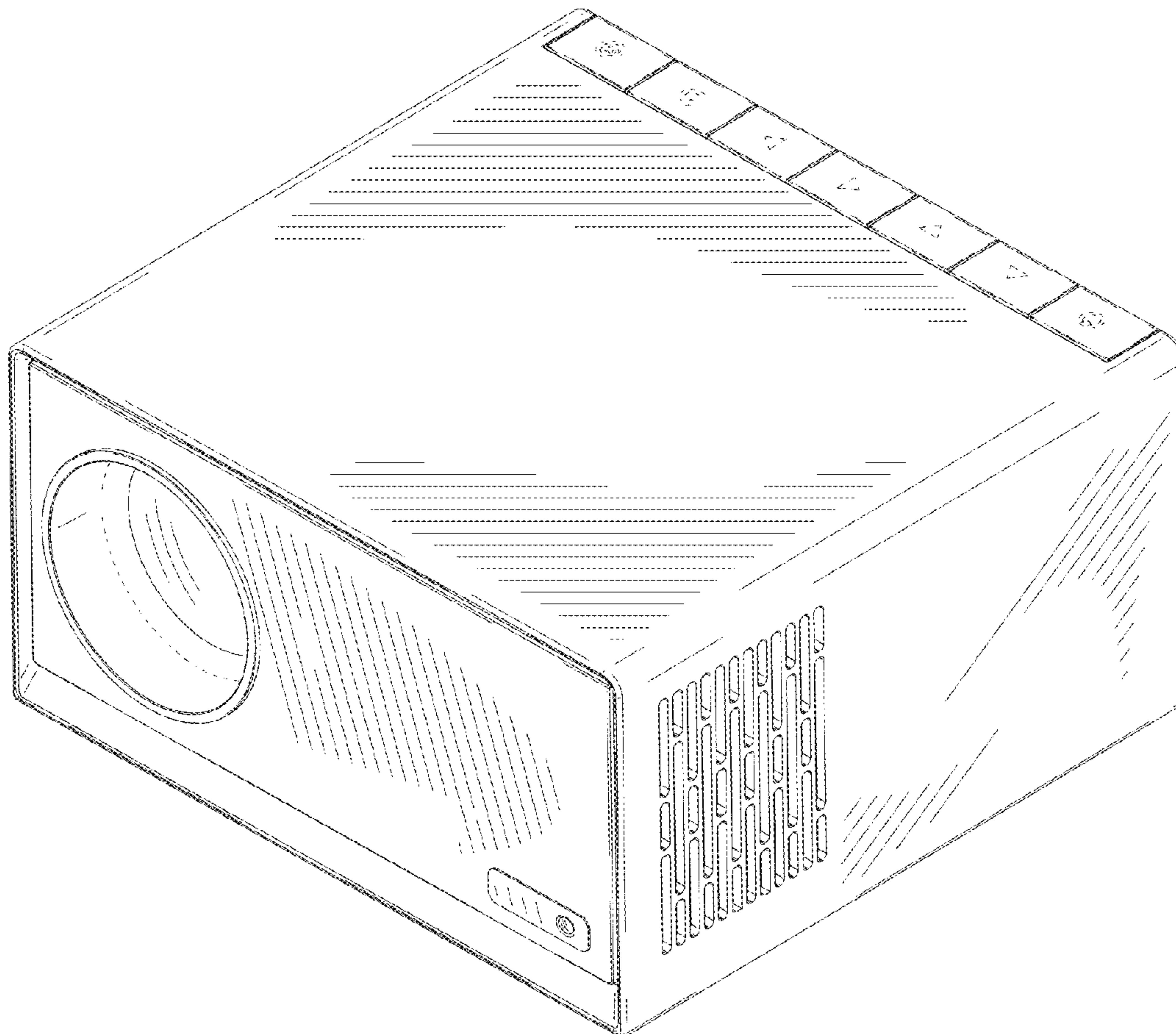
FIG. 5 is a right side view thereof;

FIG. 6 is a top view thereof; and,

FIG. 7 is a bottom view thereof.

Broken lines in the drawings depict portions of the projector that form no part of the claimed design.

1 Claim, 7 Drawing Sheets



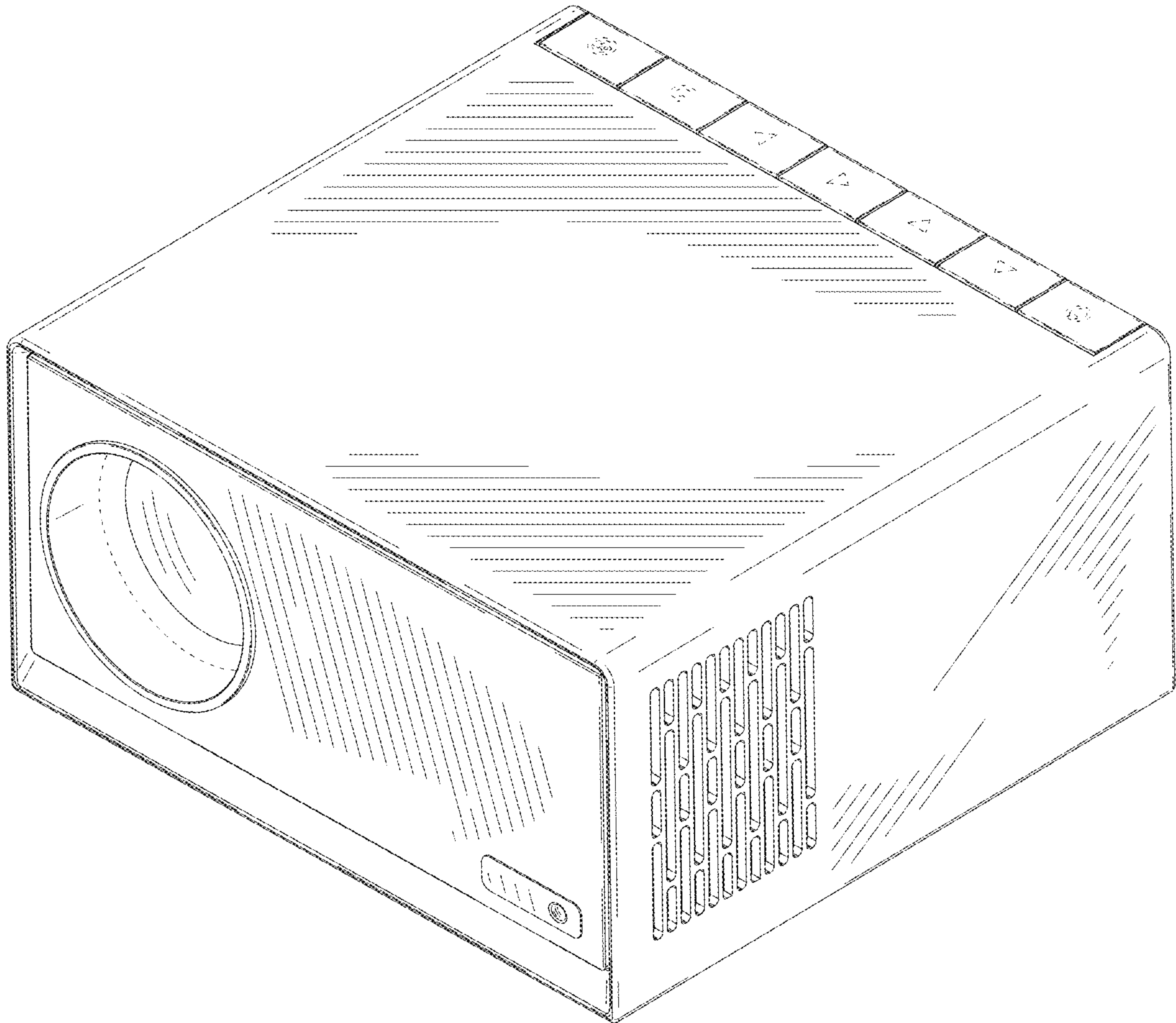


FIG. 1

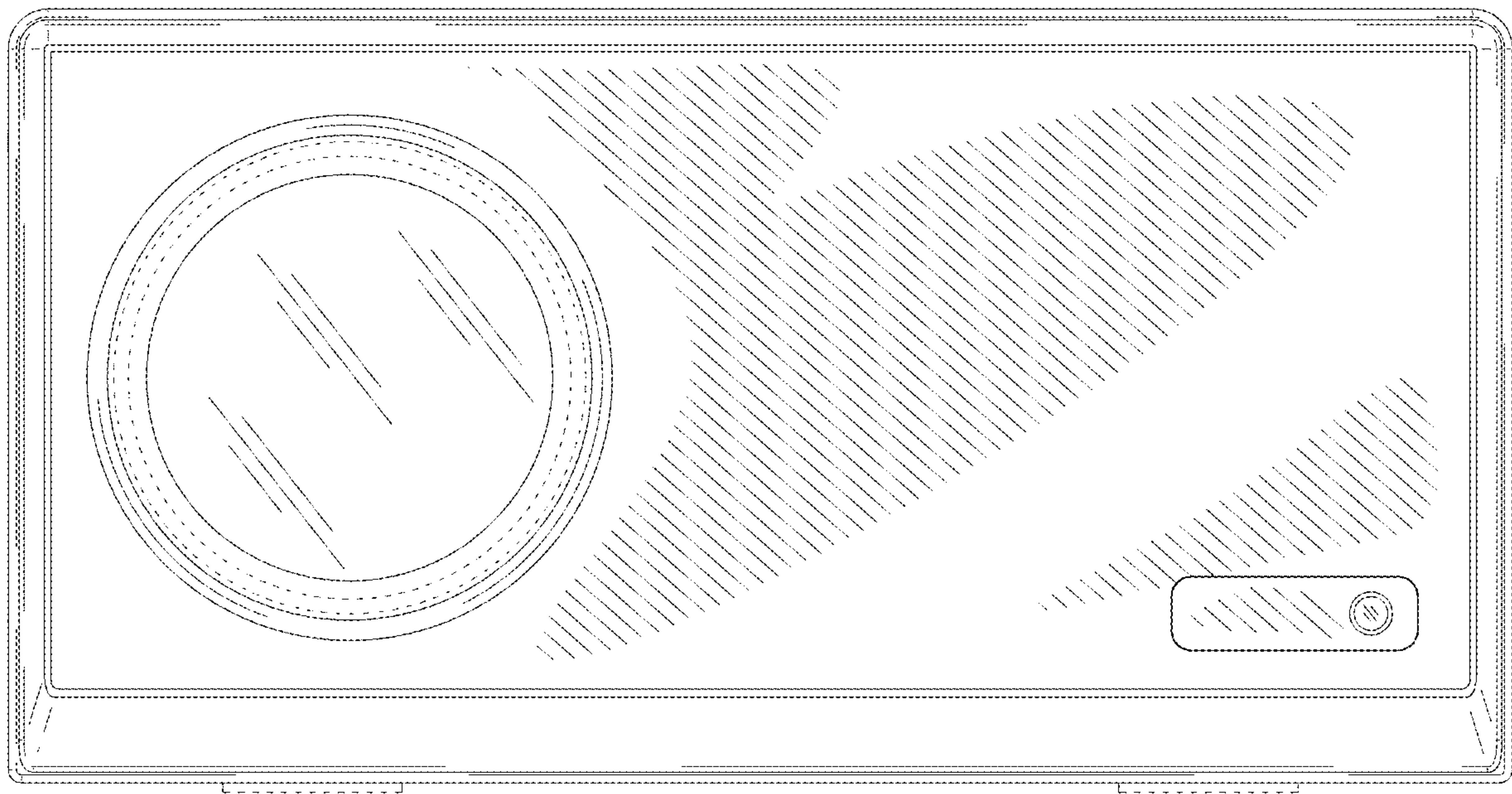


FIG. 2

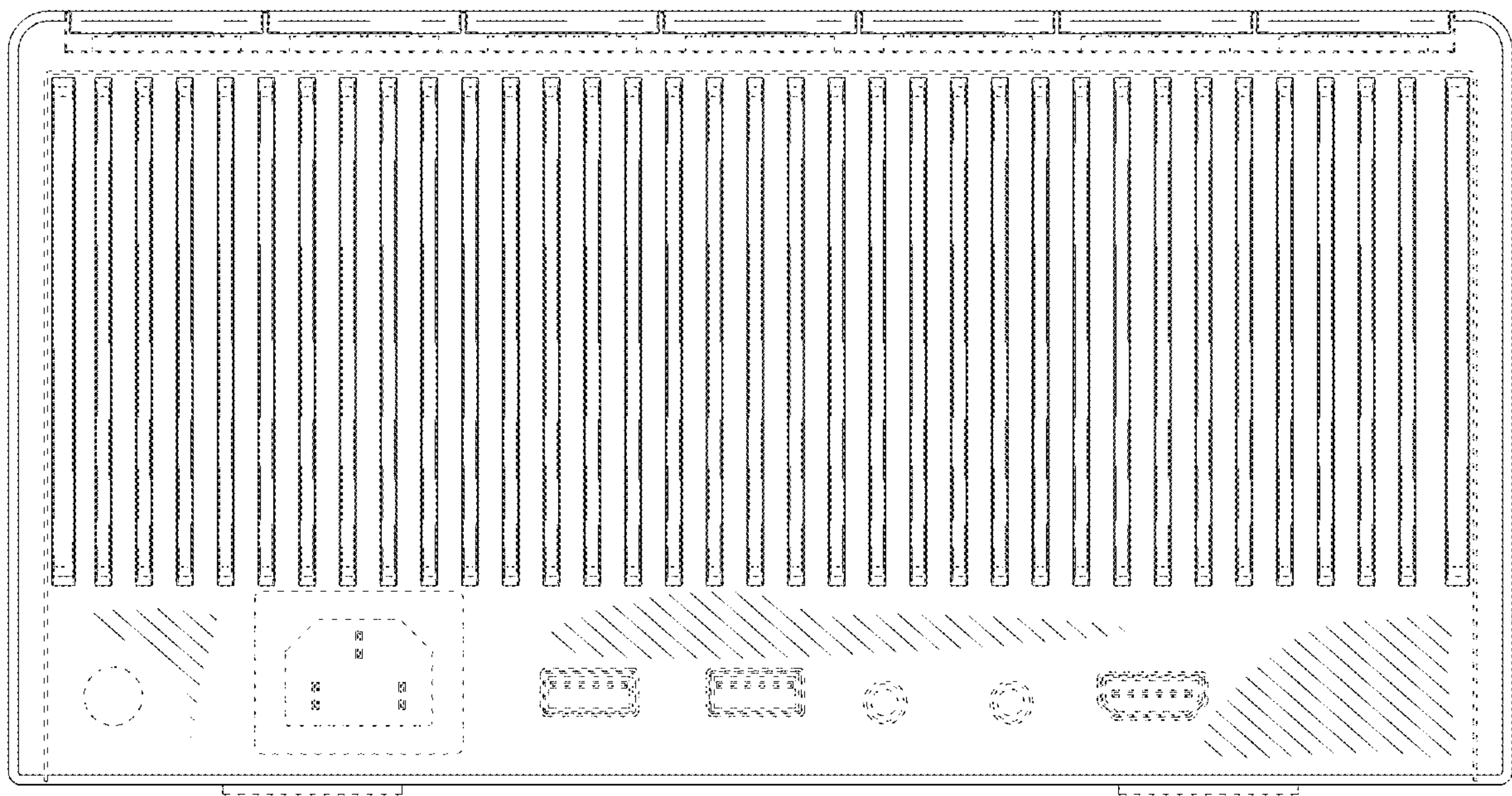


FIG. 3

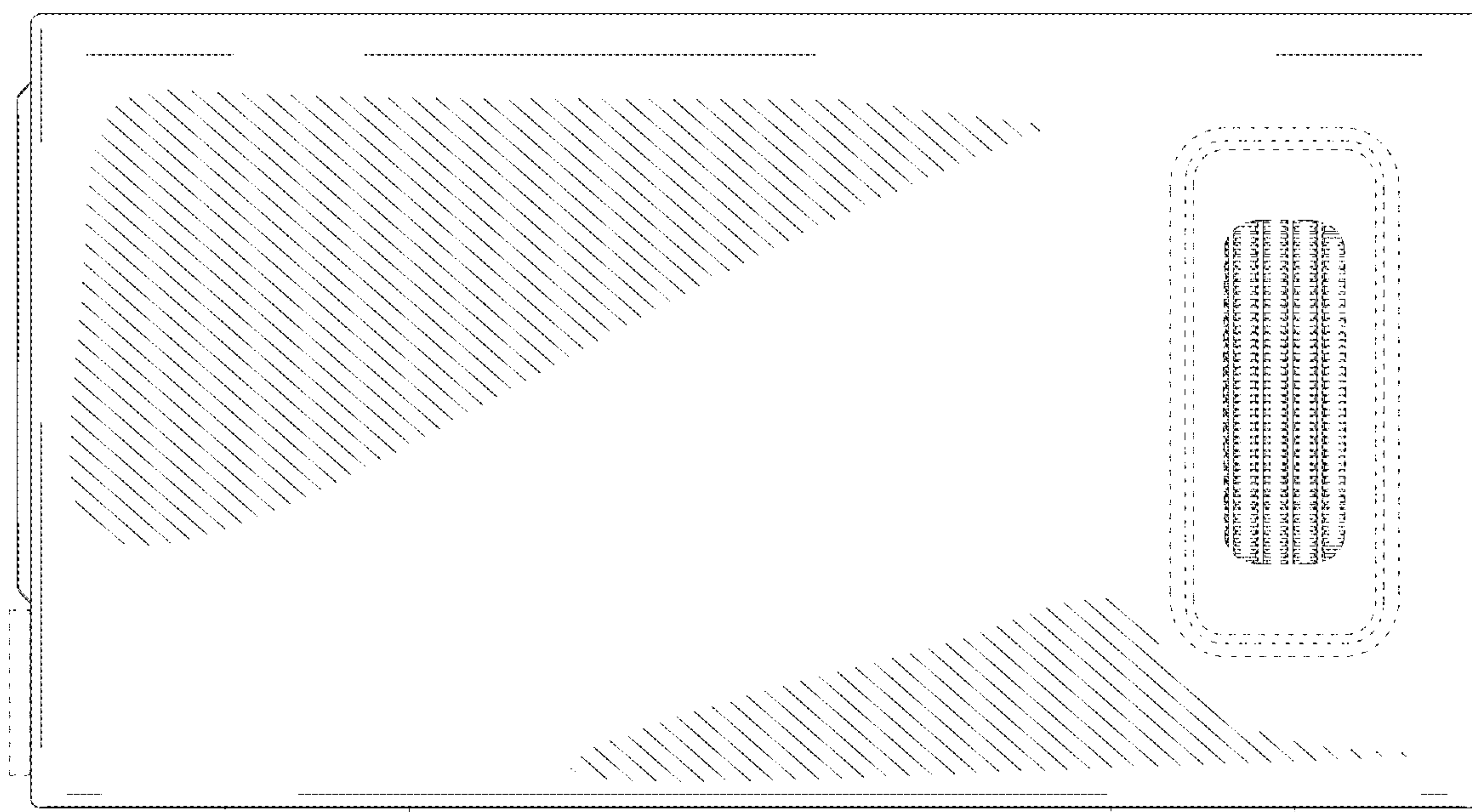


FIG. 4

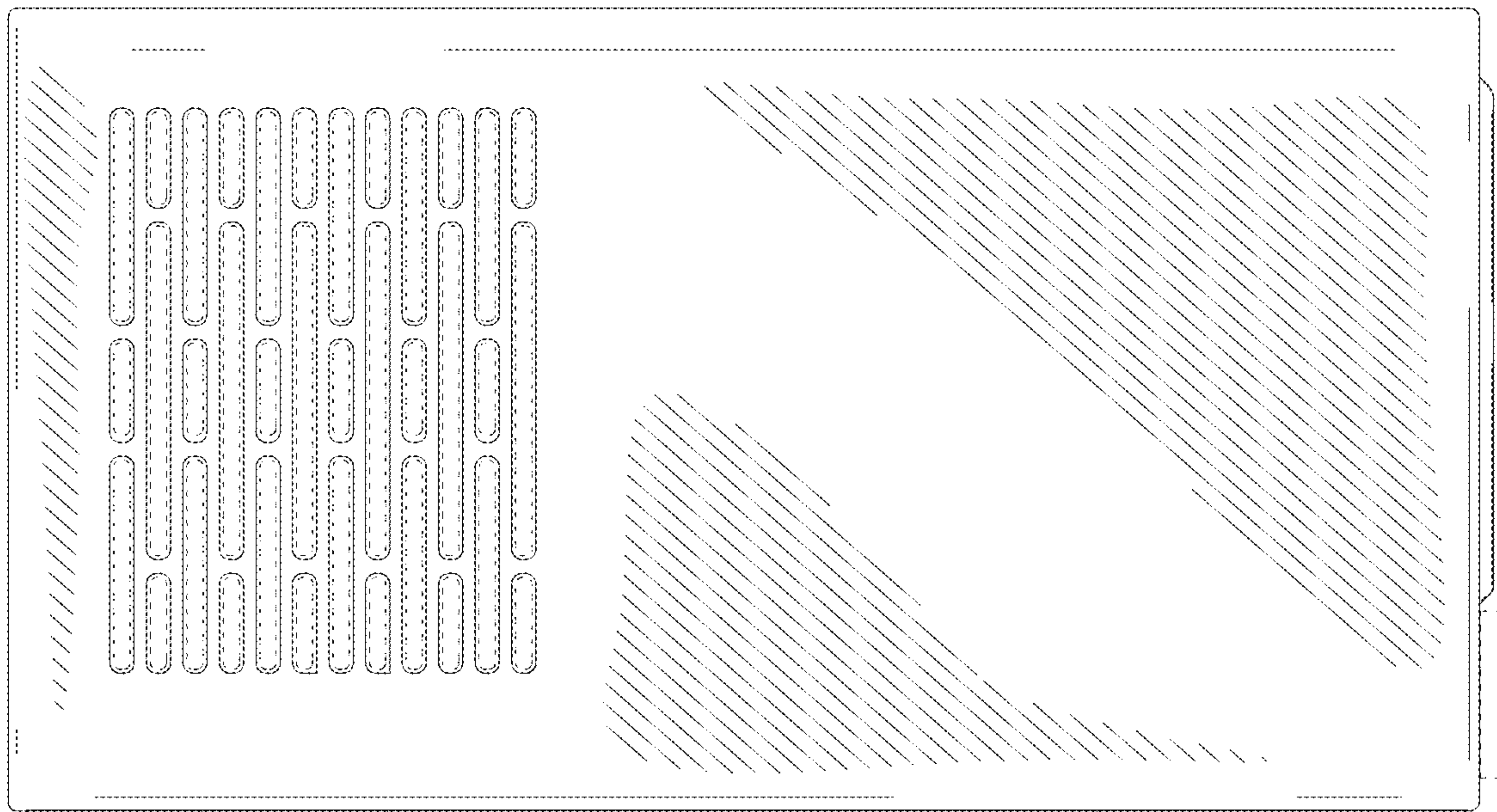


FIG. 5

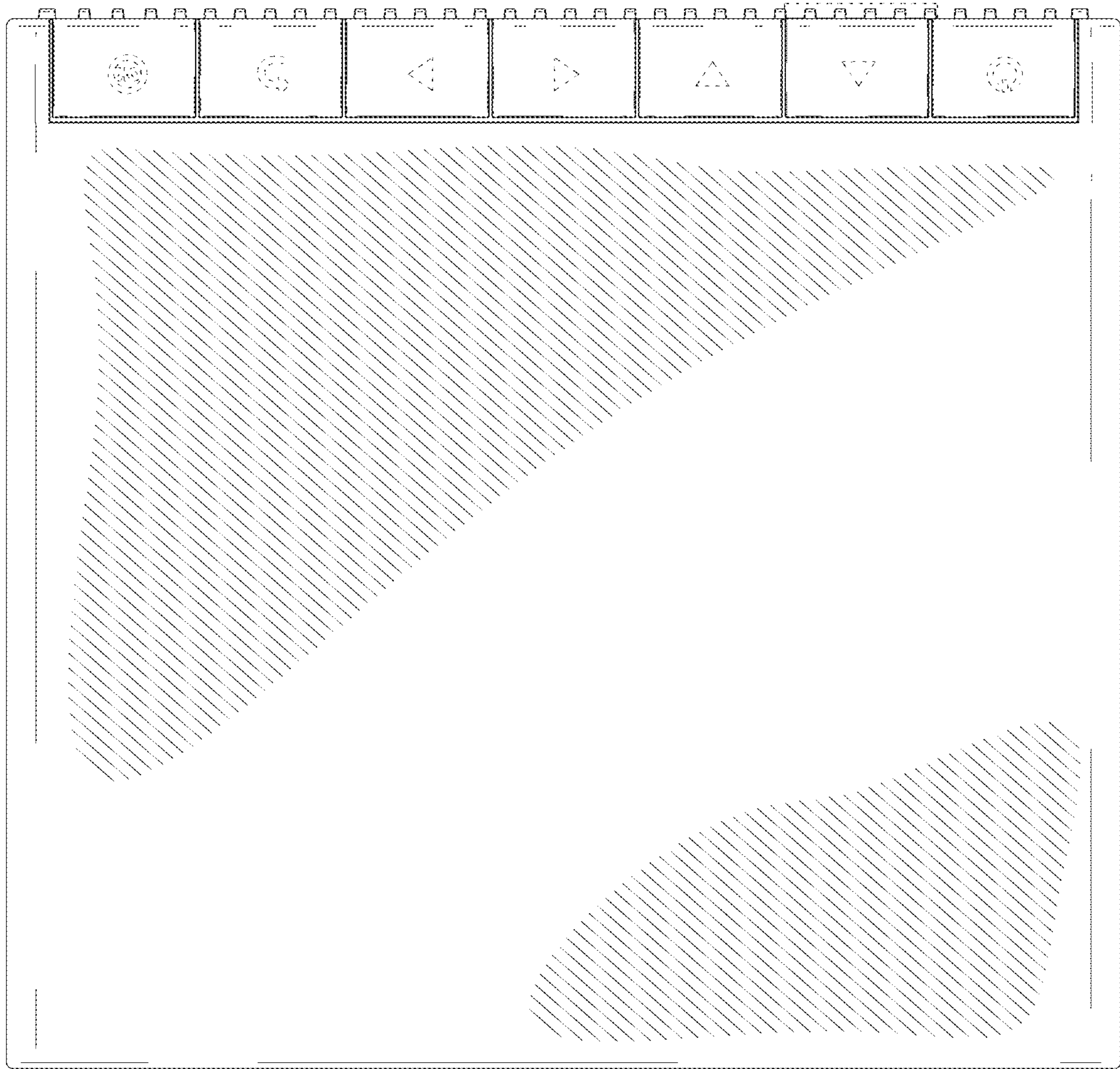


FIG. 6

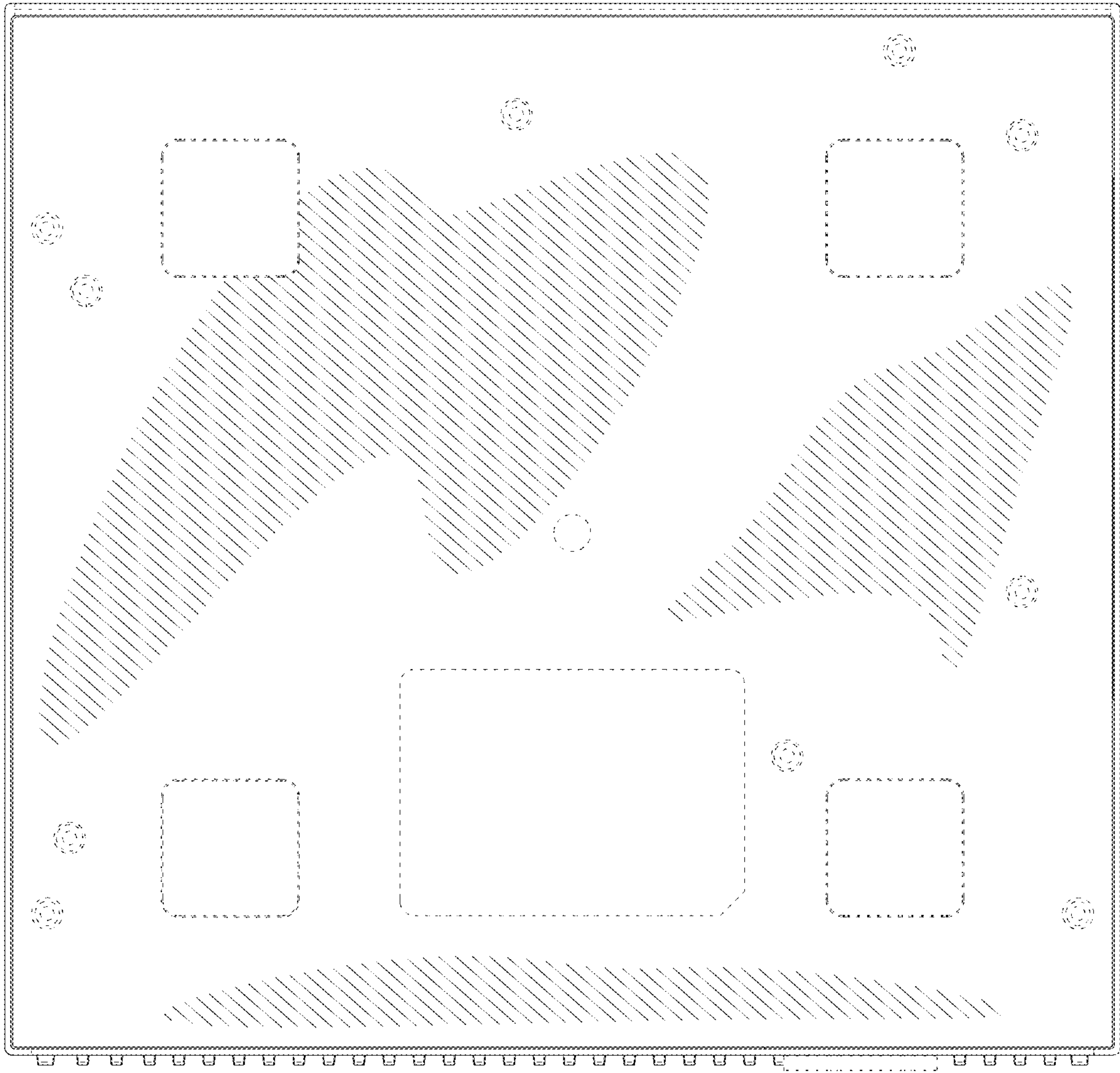


FIG. 7