



US00D976988S

(12) **United States Design Patent**
Yoshida

(10) **Patent No.:** **US D976,988 S**
(45) **Date of Patent:** **** Jan. 31, 2023**

(54) **PROJECTOR**

(71) Applicant: **FUJIFILM Corporation**, Tokyo (JP)

(72) Inventor: **Koji Yoshida**, Saitama (JP)

(73) Assignee: **FUJIFILM Corporation**, Tokyo (JP)

(**) Term: **15 Years**

(21) Appl. No.: **29/763,804**

(22) Filed: **Dec. 24, 2020**

(30) **Foreign Application Priority Data**

Jul. 3, 2020 (JP) 2020-013634 D

(51) **LOC (14) Cl.** **16-02**

(52) **U.S. Cl.**
USPC **D16/229; D16/225**

(58) **Field of Classification Search**
USPC D16/221, 225, 229–231, 234–235, 208;
D21/514

(Continued)

(56) **References Cited**

U.S. PATENT DOCUMENTS

D865,849 S * 11/2019 Yoshida D16/230
D865,850 S 11/2019 Yoshida

(Continued)

FOREIGN PATENT DOCUMENTS

JP 1613726 S 11/2018
JP 1626363 S 3/2019

OTHER PUBLICATIONS

An Office Action “Notification” mailed by the Japanese Patent Office dated Feb. 12, 2021, which corresponds to Japanese Design Application No. 2020-013634 and is related to Design U.S. Appl. No. 29/763,804; with English language translation.

Primary Examiner — Wan Laymon

(74) *Attorney, Agent, or Firm* — Studebaker & Brackett PC

(57) **CLAIM**

The ornamental design for a projector, as shown and described.

DESCRIPTION

FIG. 1 is a top, front and right perspective view of a projector showing my new design;
FIG. 2 is a top, rear and right perspective view thereof;
FIG. 3 is a front view thereof;
FIG. 4 is a rear view thereof;
FIG. 5 is a top plan view thereof;
FIG. 6 is a bottom plan view thereof;
FIG. 7 is a right side view thereof;
FIG. 8 is a left side view thereof;
FIG. 9 is a bottom, rear and left perspective view thereof;
FIG. 10 is a top, front and right perspective view of the projector showing the design, with a lens directed to a first direction;
FIG. 11 is a front view thereof;
FIG. 12 is a rear view thereof;
FIG. 13 is a top plan view thereof;
FIG. 14 is a bottom plan view thereof;
FIG. 15 is a right side view thereof;
FIG. 16 is a left side view thereof;
FIG. 17 is a bottom, rear and left perspective view thereof;
FIG. 18 is a top, front and right perspective view of the projector showing the design, with the lens directed to a second direction;
FIG. 19 is a front view thereof;
FIG. 20 is a top plan view thereof;
FIG. 21 is a right side view thereof;
FIG. 22 is a top, front and right perspective view of the projector showing the design, with the lens directed to a third direction;
FIG. 23 is a front view thereof;
FIG. 24 is a top plan view thereof;
FIG. 25 is a bottom plan view thereof;
FIG. 26 is a right side view thereof;
FIG. 27 is a bottom, front, and left perspective view thereof;

(Continued)

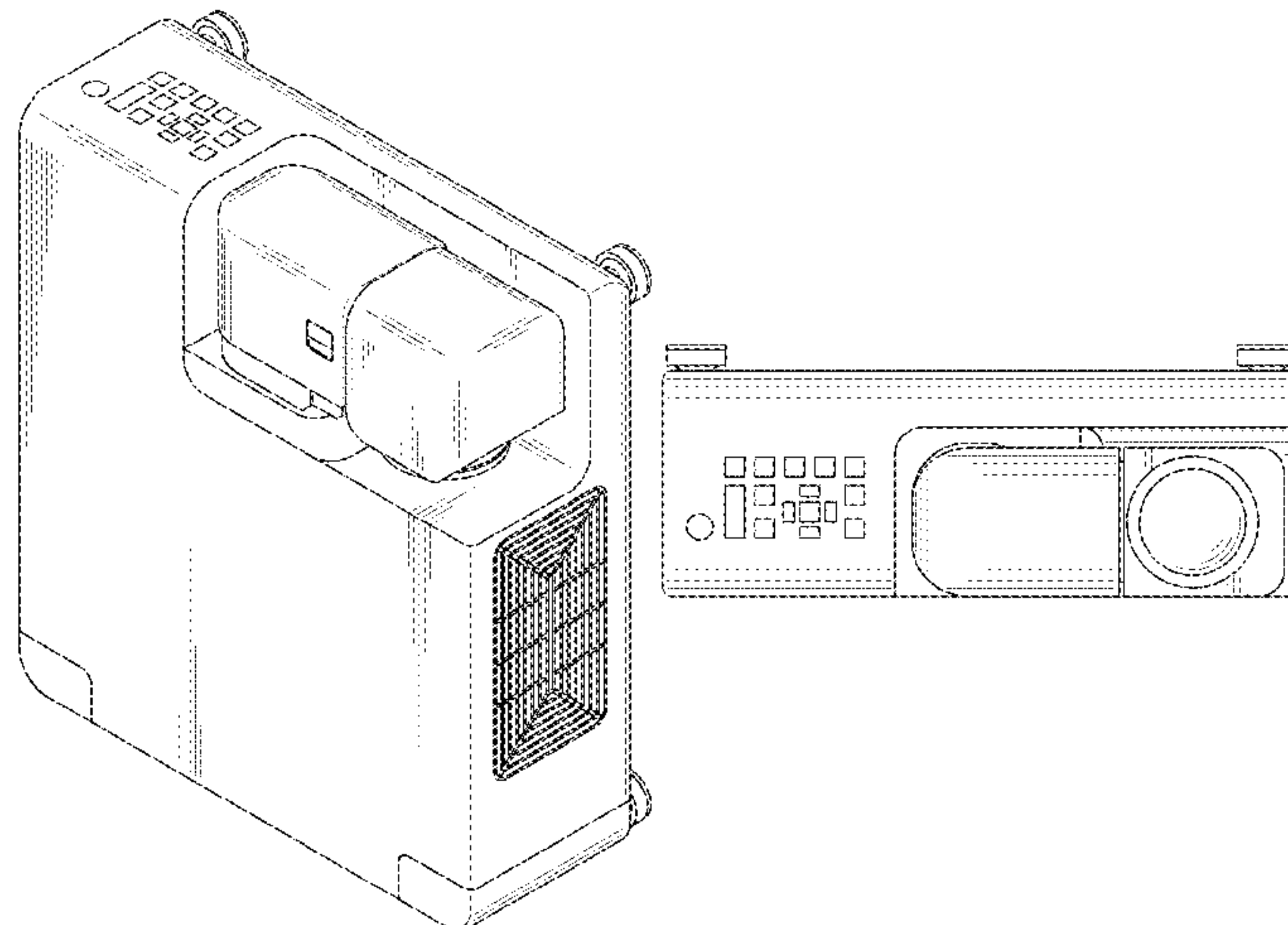


FIG. 28 is a top, front and right perspective view of the projector showing the design, with the lens directed to a fourth direction;
 FIG. 29 is a front view thereof;
 FIG. 30 is a top plan view thereof;
 FIG. 31 is a bottom plan view thereof;
 FIG. 32 is a left side view thereof;
 FIG. 33 is a bottom, rear and left perspective view thereof;
 FIG. 34 is a top, front and right perspective view of the projector showing the design, with the lens directed to a fifth direction;
 FIG. 35 is a front view thereof;
 FIG. 36 is a top plan view thereof;
 FIG. 37 is a bottom plan view thereof;
 FIG. 38 is a right side view thereof;
 FIG. 39 is a bottom, front, and left perspective view thereof;
 FIG. 40 is a top, front and right perspective view of the projector showing the design, with the lens directed to a sixth direction;
 FIG. 41 is a front view thereof;
 FIG. 42 is a top plan view thereof;
 FIG. 43 is a bottom plan view thereof;
 FIG. 44 is a right side view thereof;
 FIG. 45 is a bottom, front, and left perspective view thereof;
 and,
 FIG. 46 is a top, front and right perspective view of the projector showing the situation that a lens body is removed. The design of a lens of the projector as the lens transitions from any one of the first to the sixth directions to another of the first to the sixth directions forms no part of the claimed design.

1 Claim, 31 Drawing Sheets

(58) **Field of Classification Search**

CPC G03B 21/16; G03B 21/14; G03B 21/145;
 G03B 21/142; G03B 21/00; G03B
 21/003; G03B 21/12

See application file for complete search history.

(56) **References Cited**

U.S. PATENT DOCUMENTS

D867,431	S	*	11/2019	Yoshida	D16/235
D897,410	S	*	9/2020	Sakai	D16/221
D913,356	S		3/2021	Tanaka et al.		
2021/0208490	A1	*	7/2021	Shimizu	G03B 21/16
2021/0247587	A1	*	8/2021	Kayano	G03B 21/145
2021/0247672	A1	*	8/2021	Nagatoshi	G03B 21/145
2021/0247673	A1	*	8/2021	Kamigaki	G03B 21/145
2021/0247674	A1	*	8/2021	Shimizu	G03B 21/145
2021/0247682	A1	*	8/2021	Shimizu	G03B 21/145
2021/0247683	A1	*	8/2021	Kamigaki	G03B 21/145
2021/0250557	A1	*	8/2021	Shimizu	G03B 21/145
2021/0250558	A1	*	8/2021	Shimizu	G03B 21/145
2021/0250559	A1	*	8/2021	Shimizu	G03B 21/145
2021/0255528	A1	*	8/2021	Kamigaki	G03B 21/145
2021/0255529	A1	*	8/2021	Kamigaki	G03B 21/145
2022/0137496	A1	*	5/2022	Chang	G03B 21/142 385/85

* cited by examiner

FIG. 1

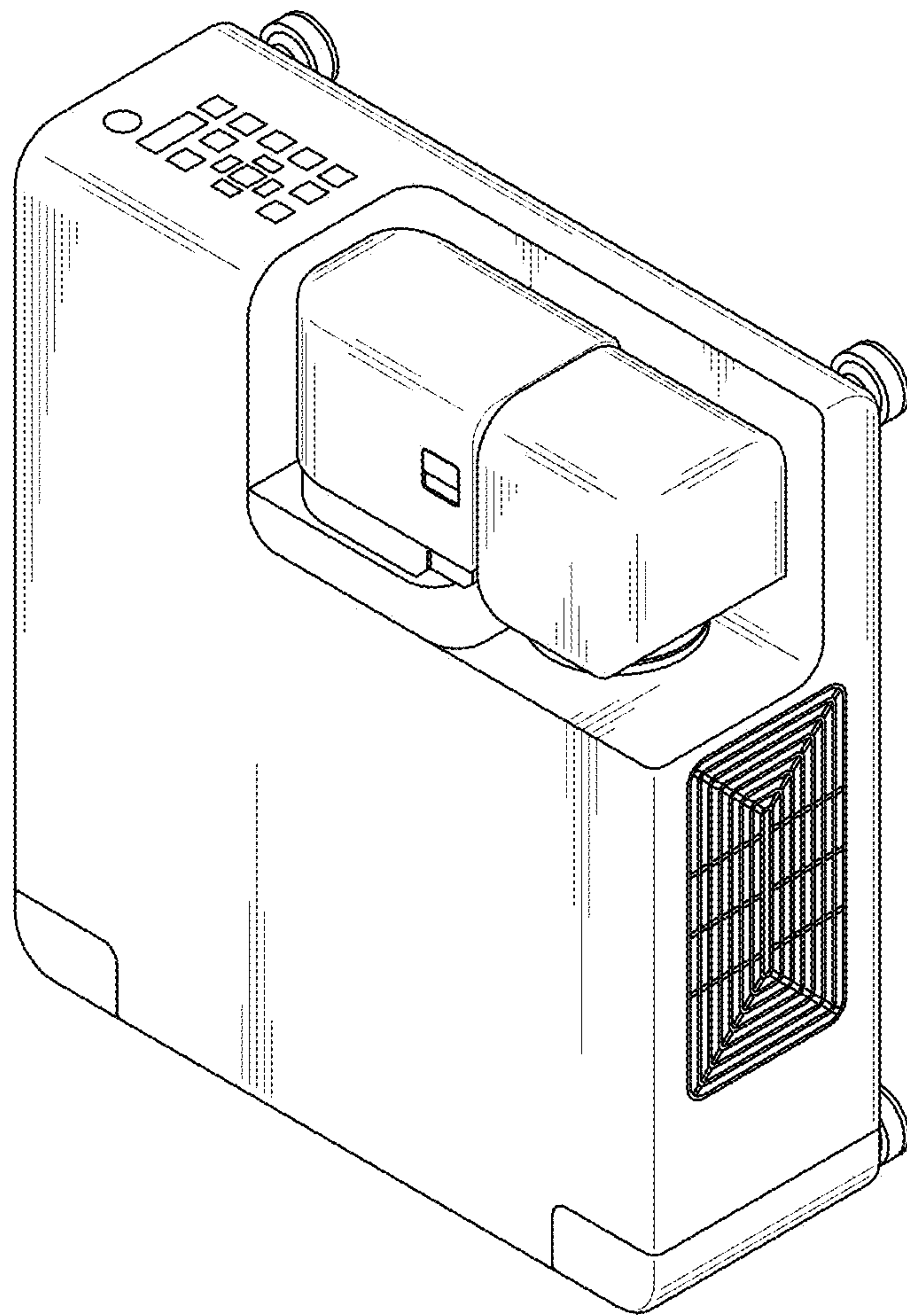


FIG. 2

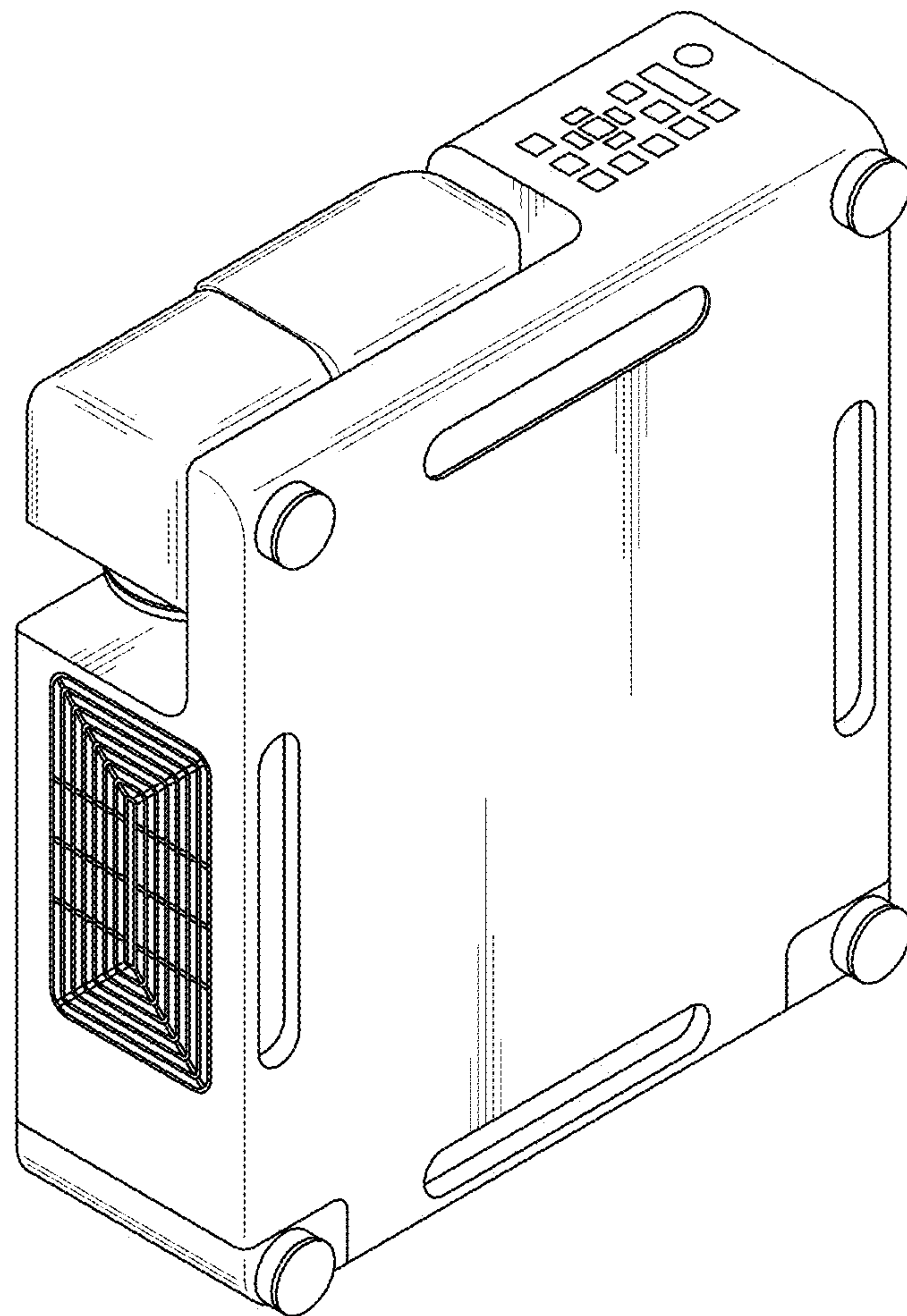


FIG. 3

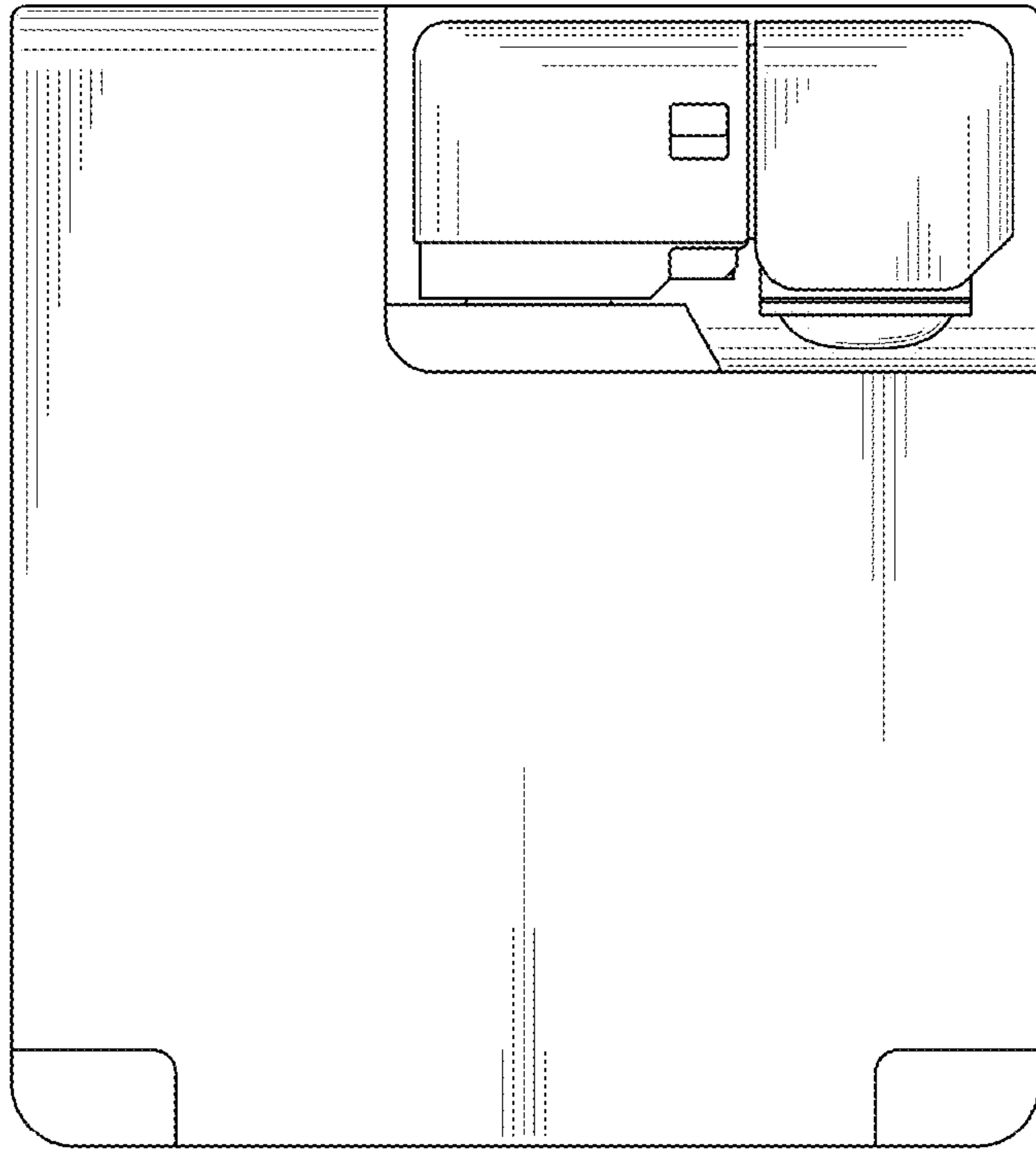


FIG. 4

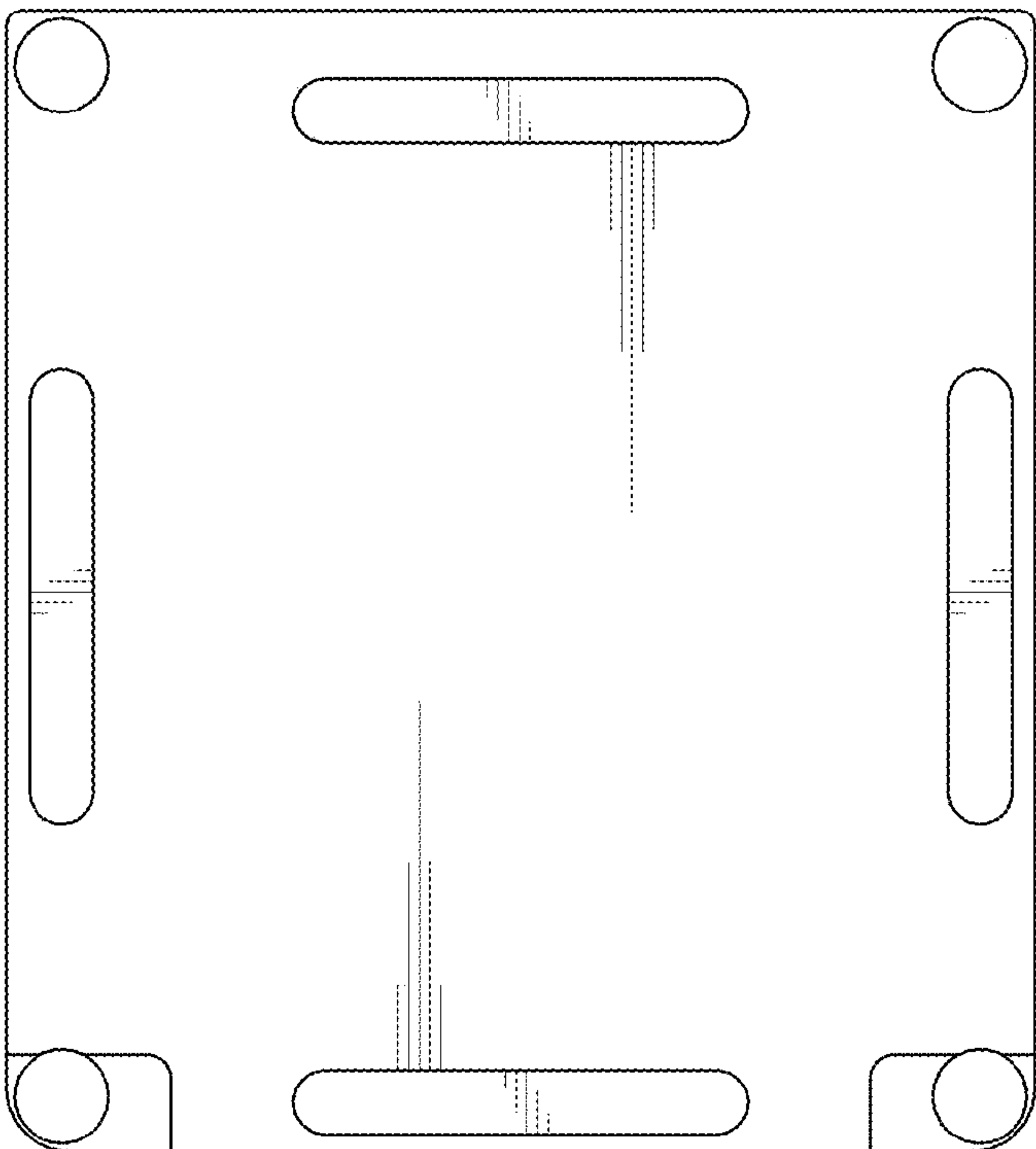


FIG. 5

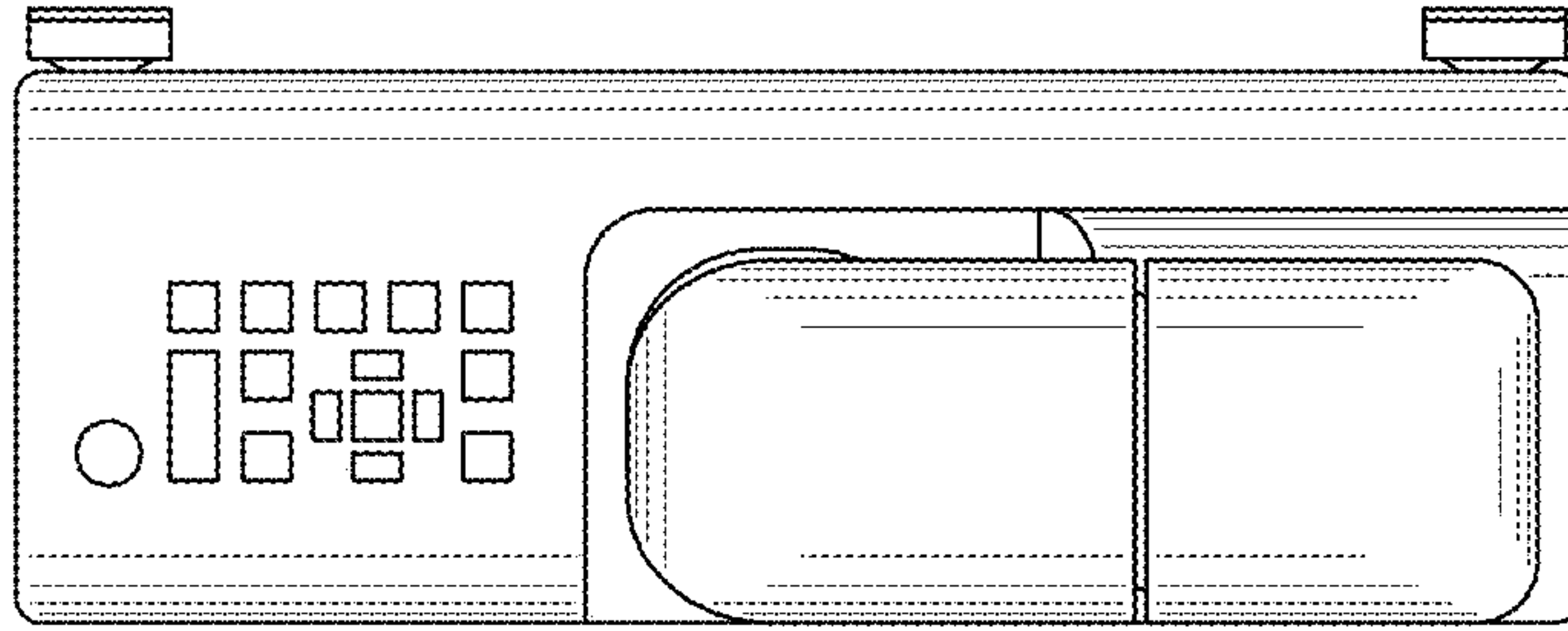


FIG. 6

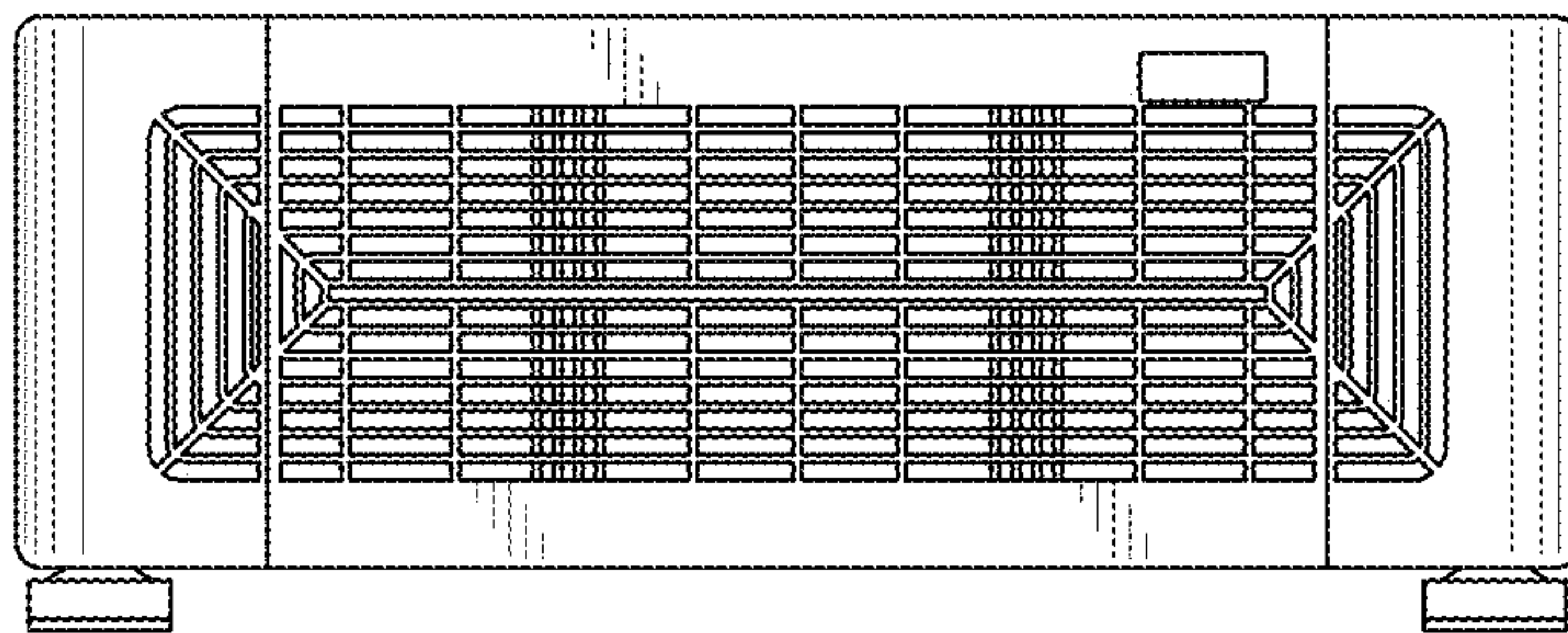


FIG. 7

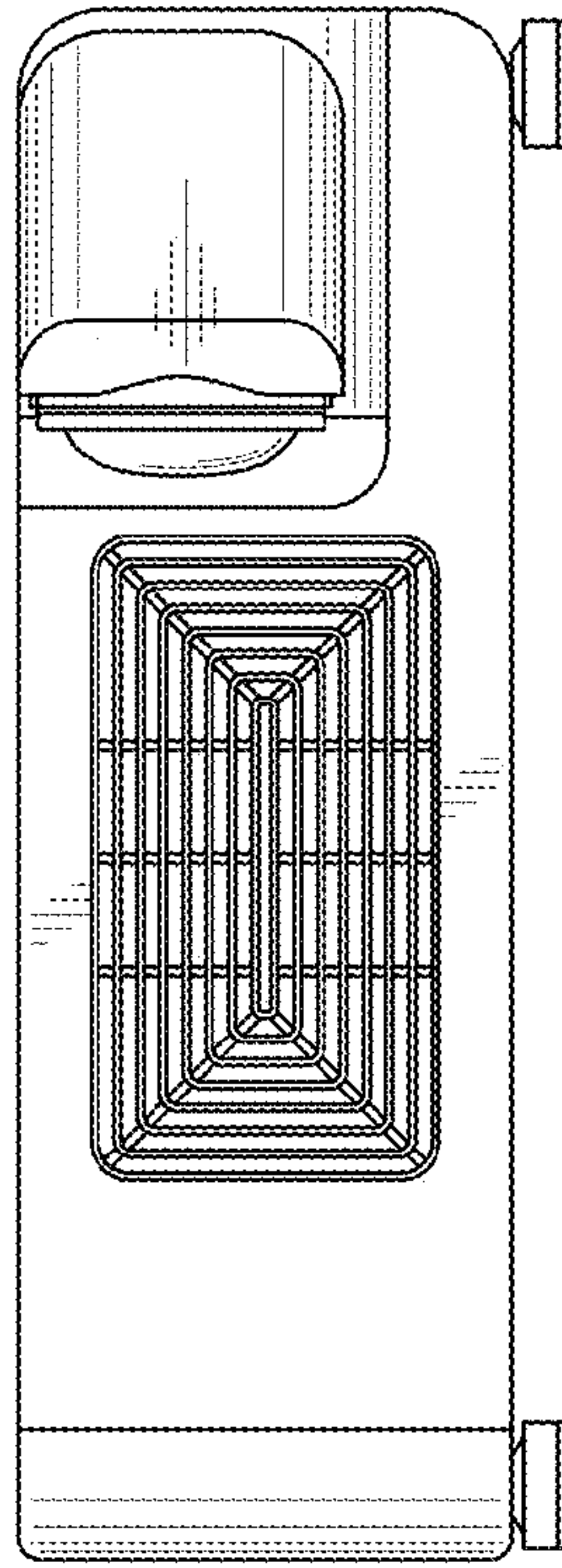


FIG. 8

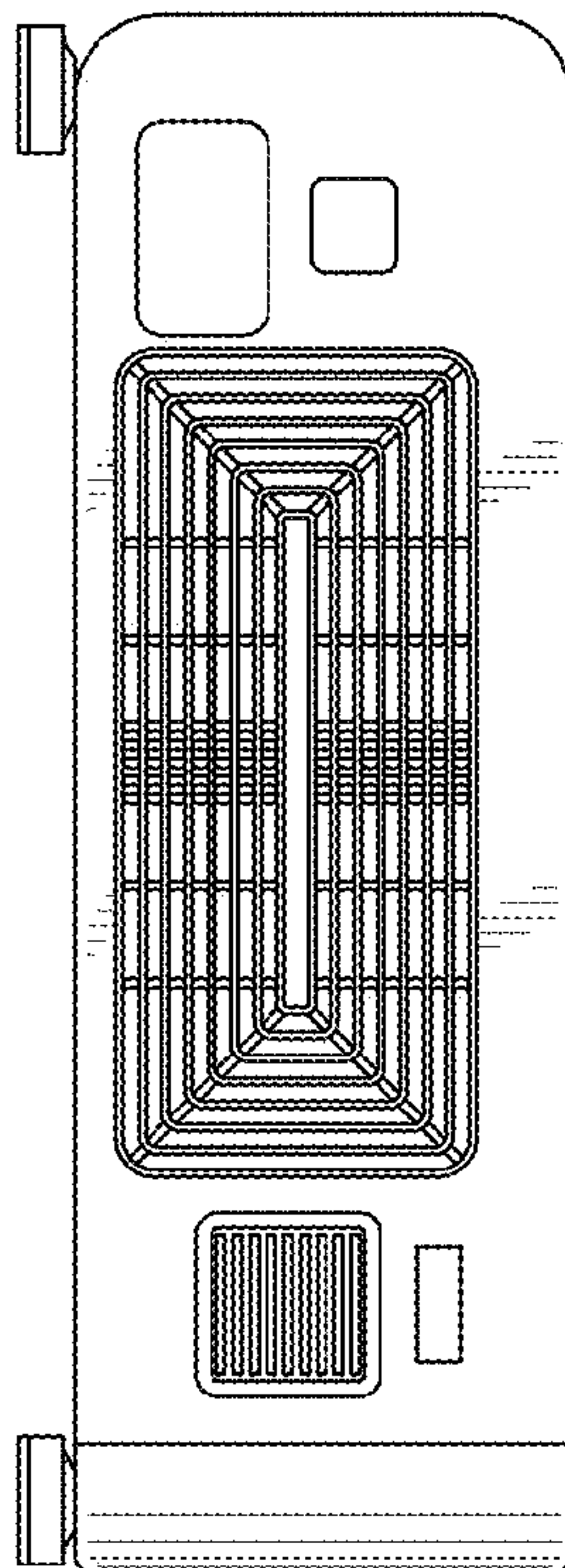


FIG. 9

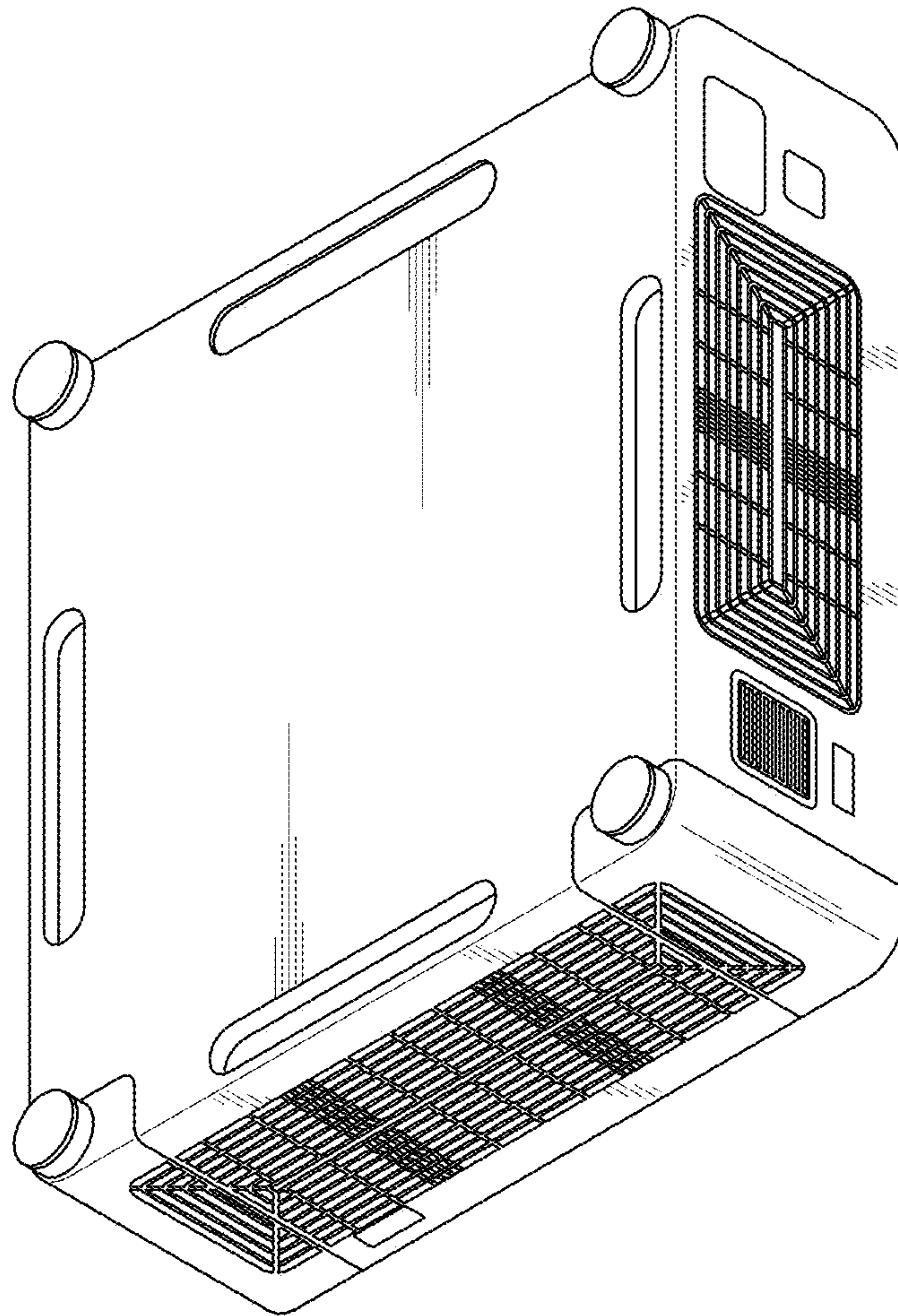


FIG. 10

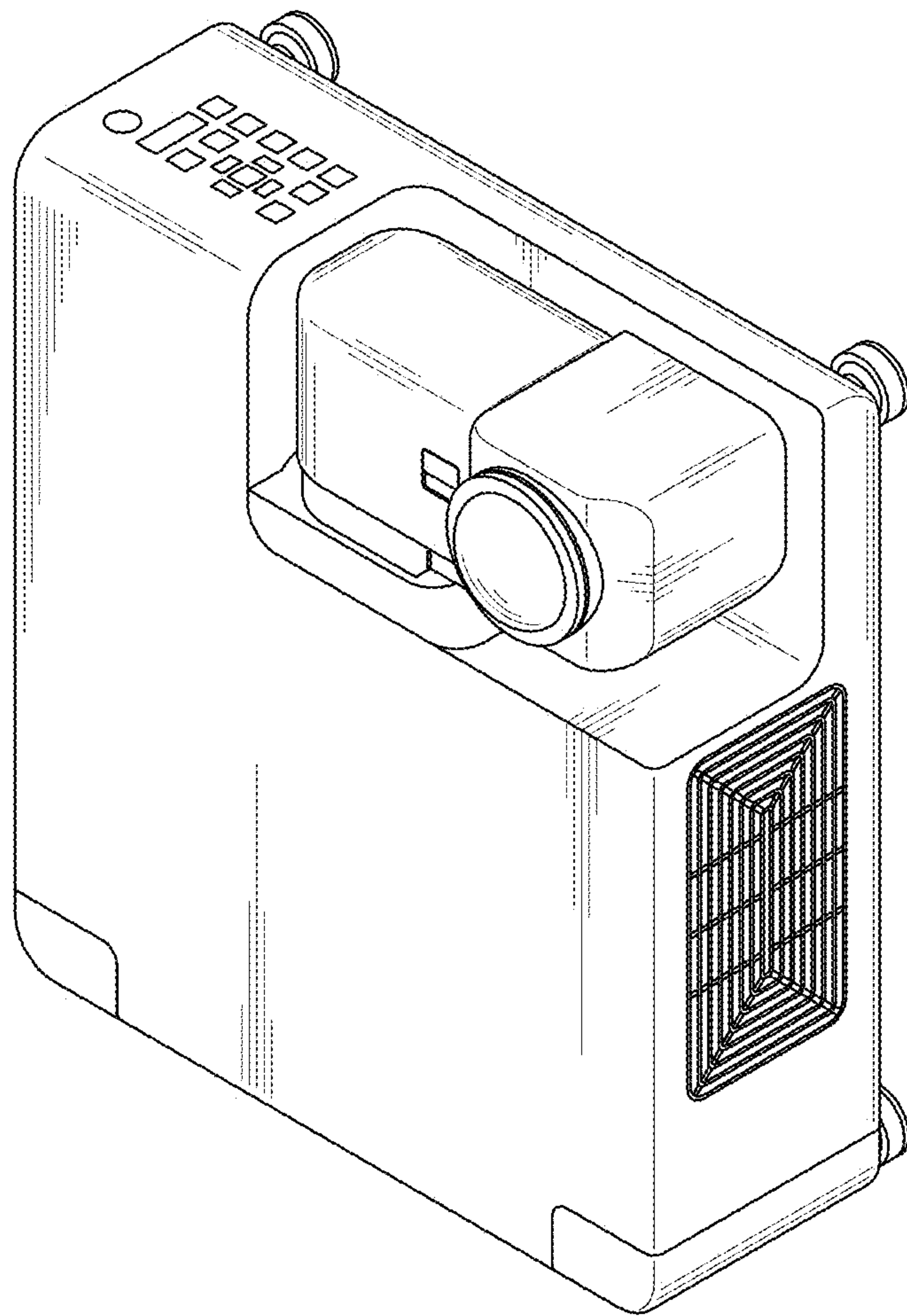


FIG. 11

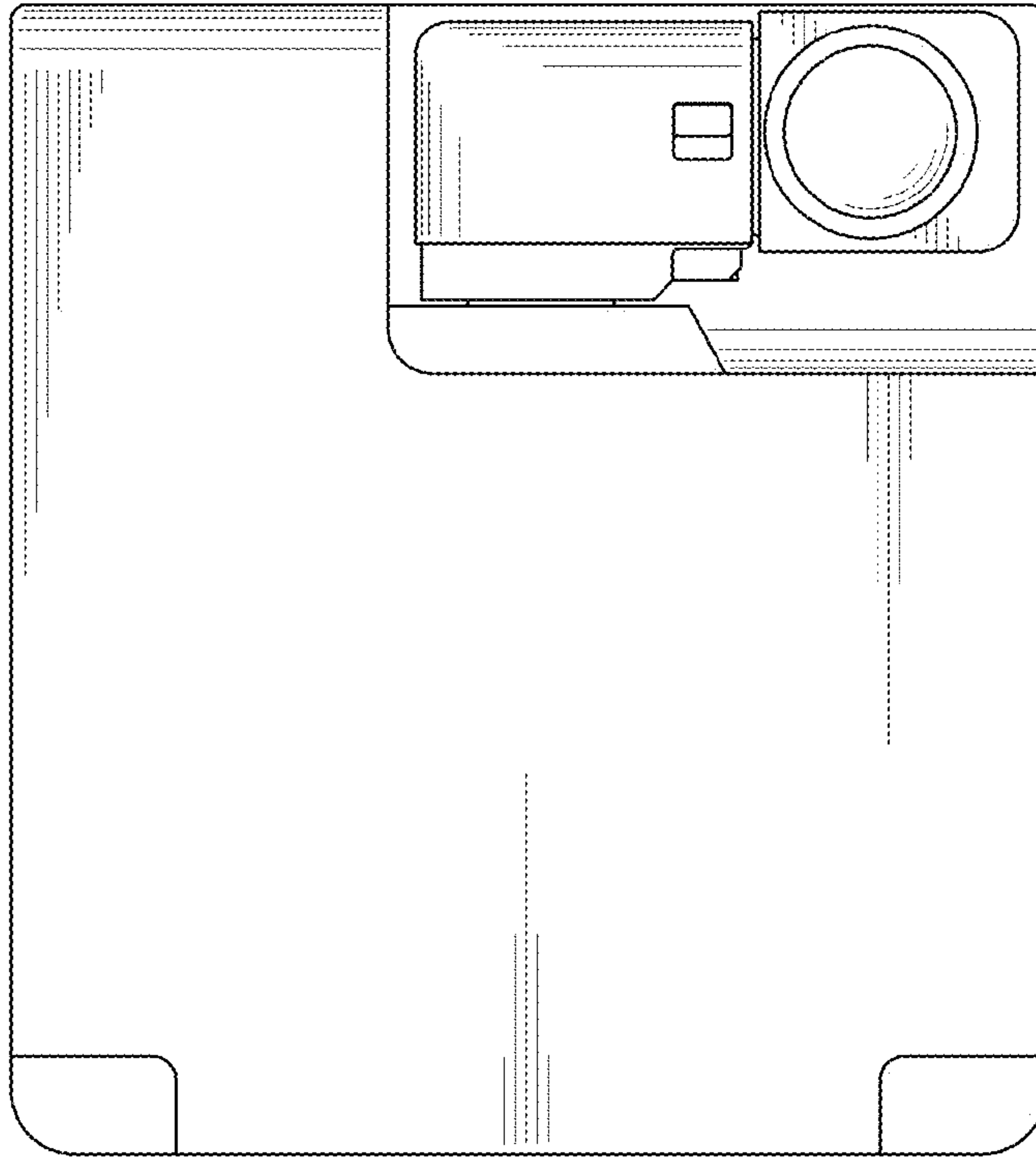


FIG. 12

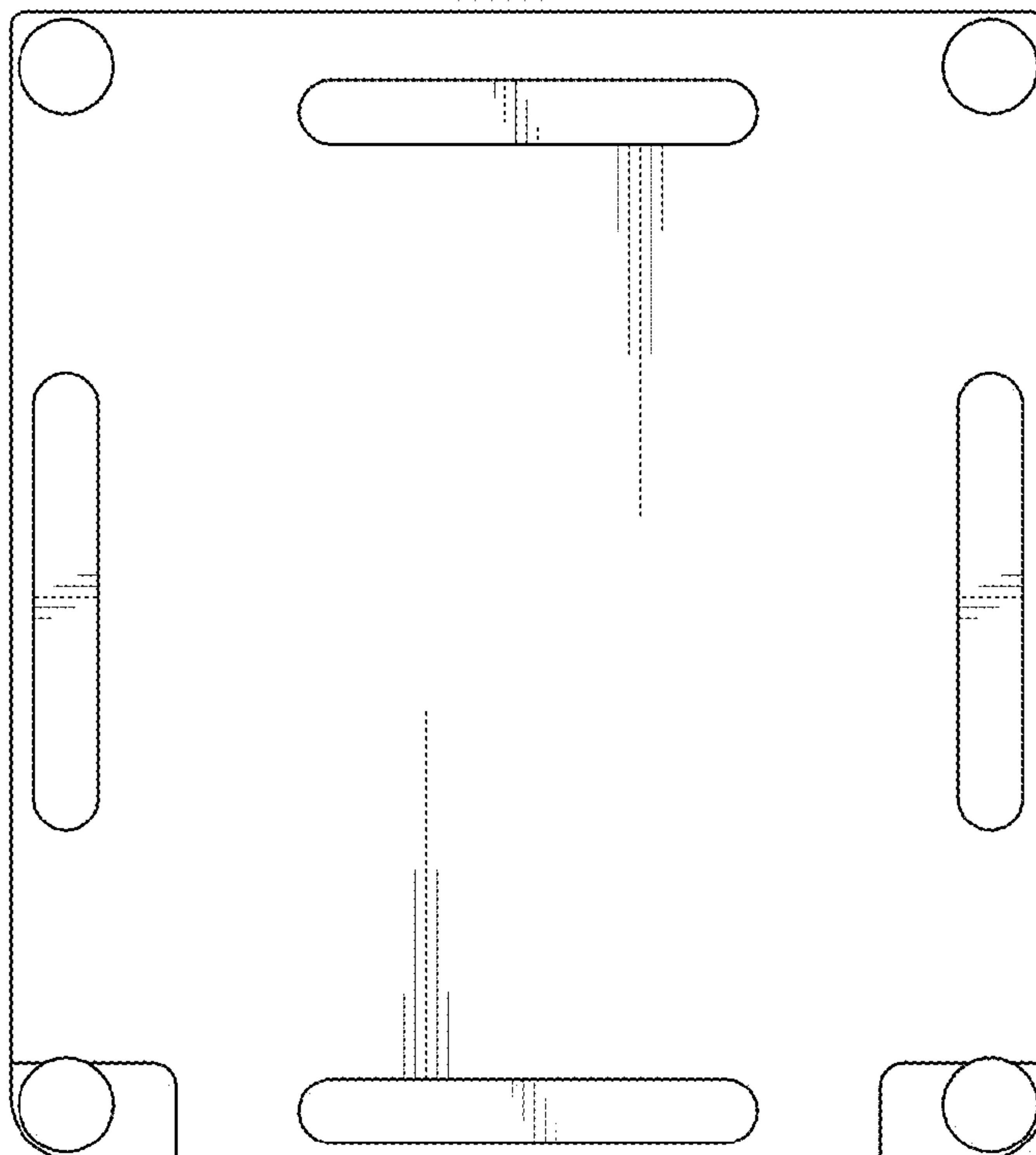


FIG. 13

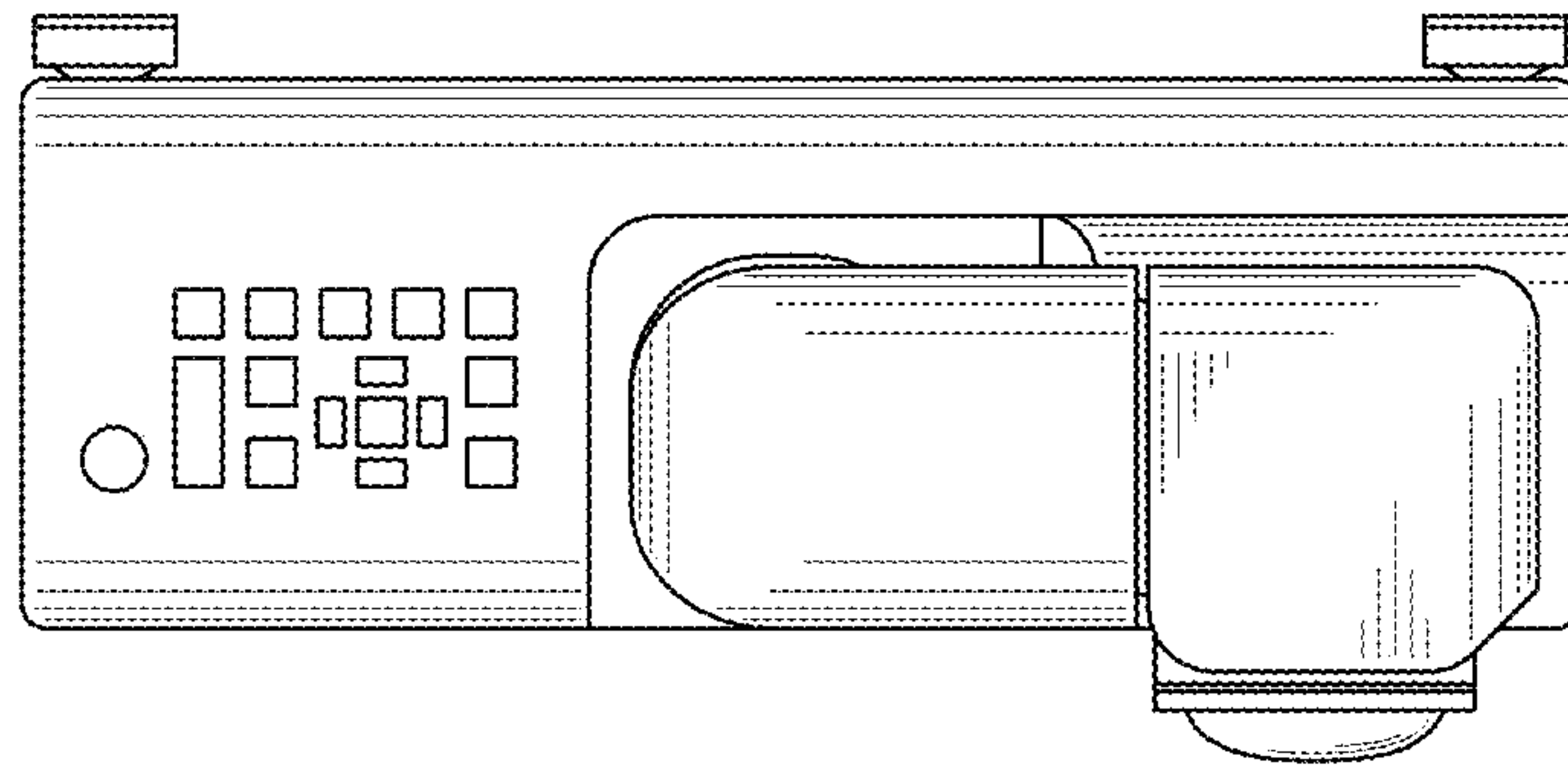


FIG. 14

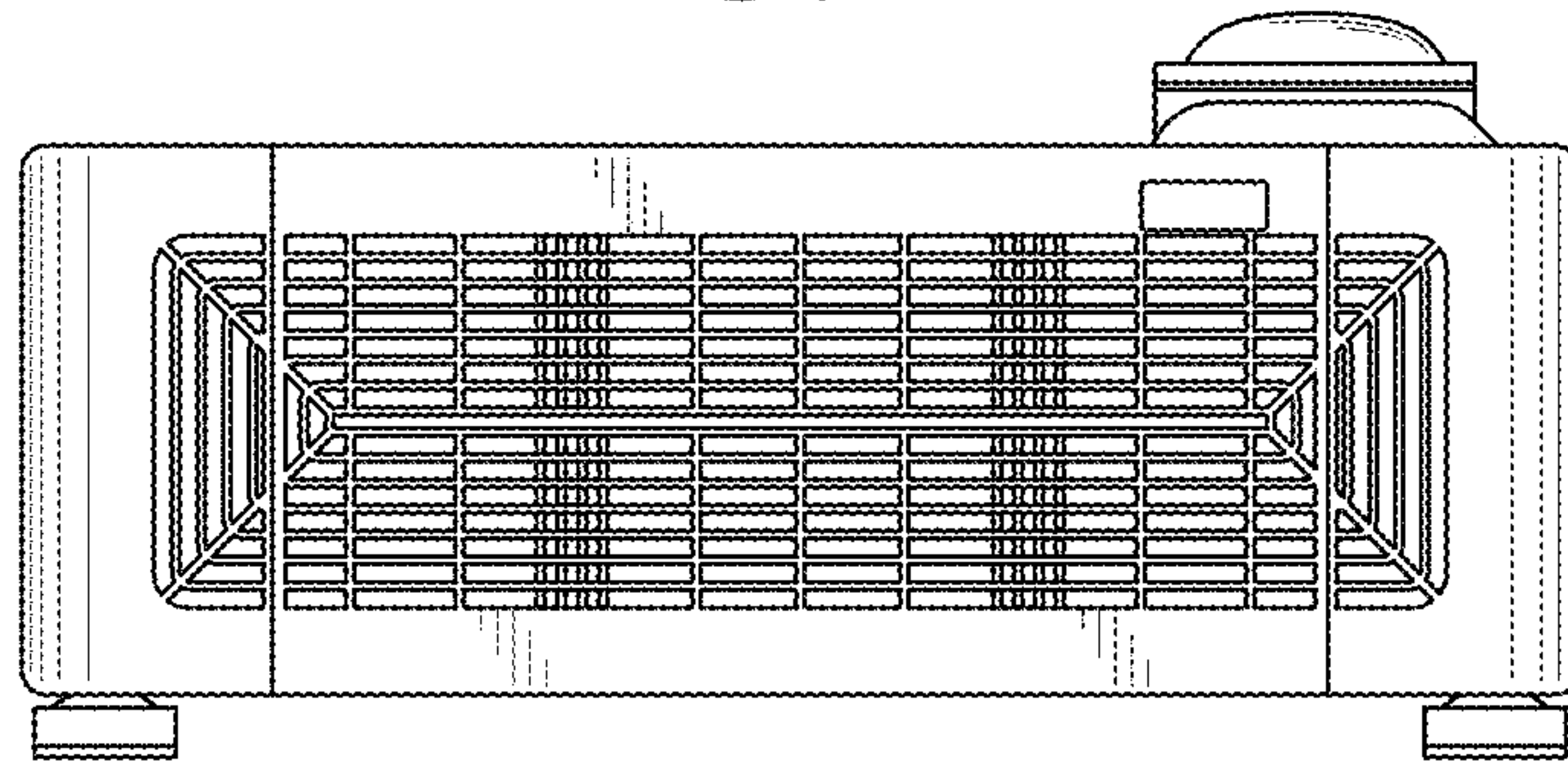


FIG. 15

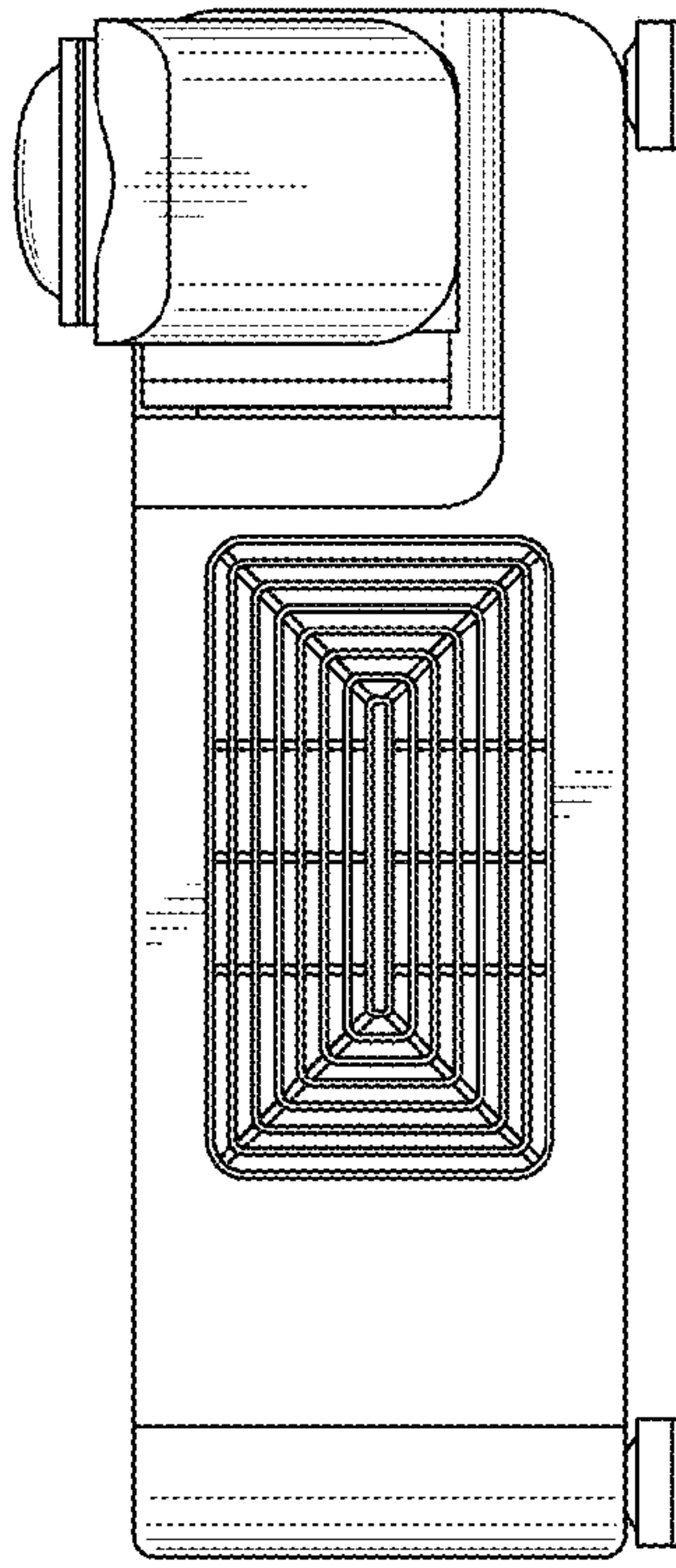


FIG. 16

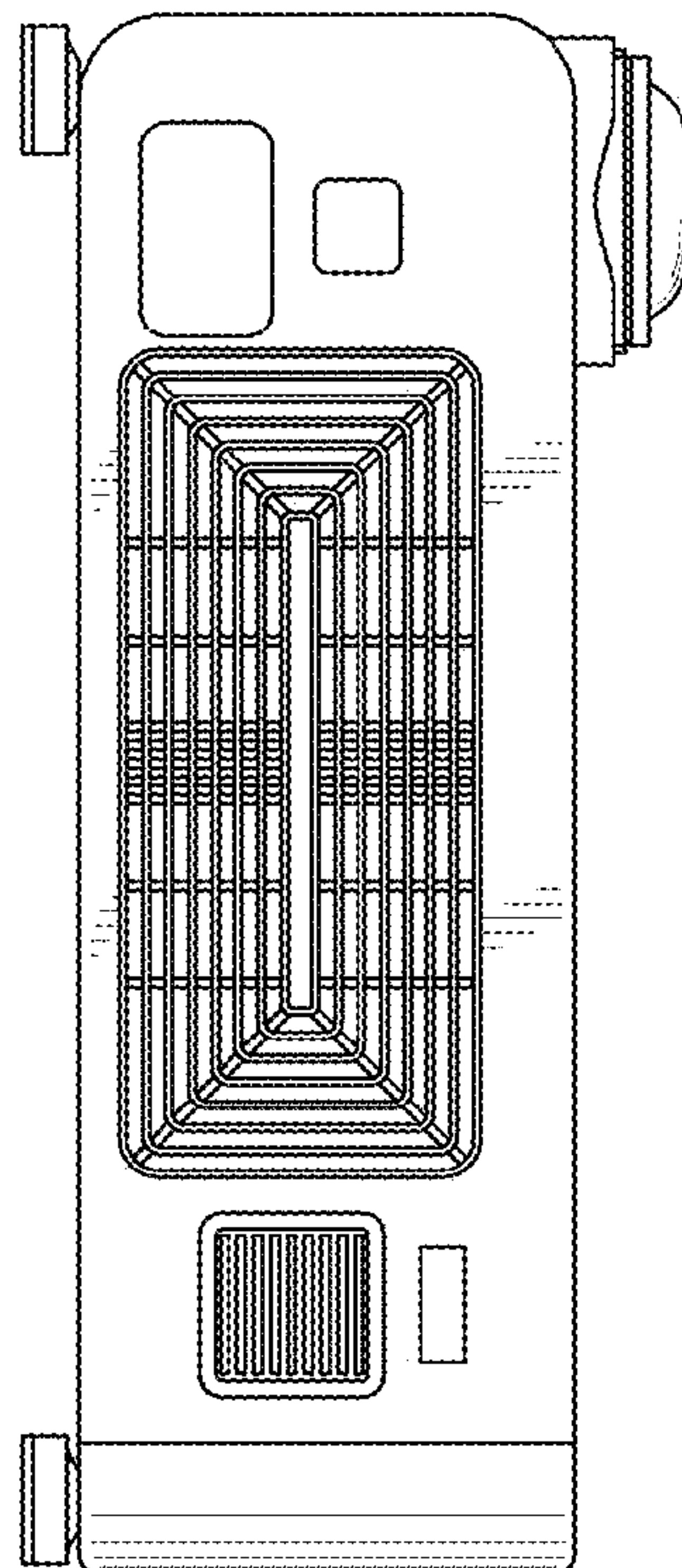


FIG. 17

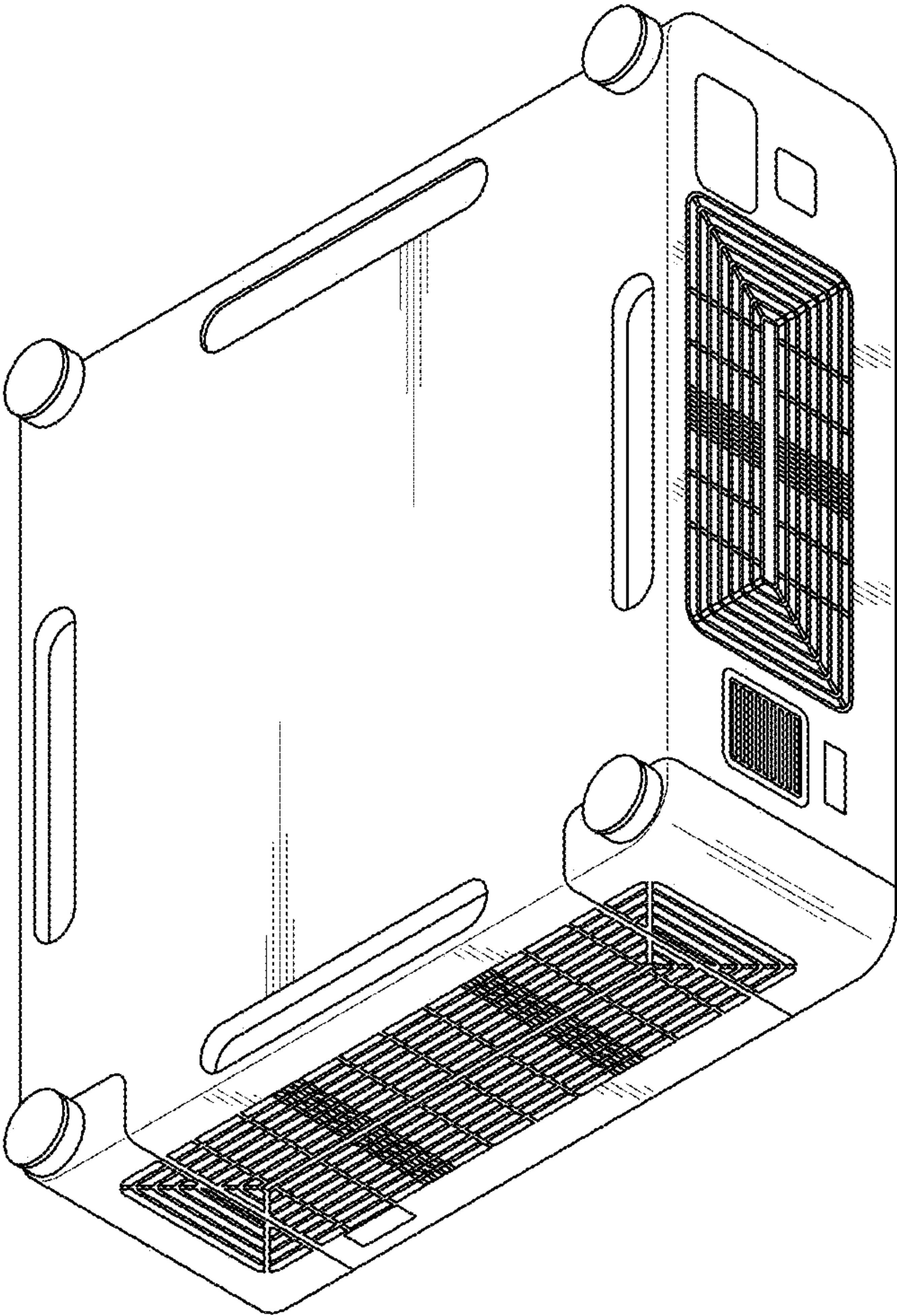


FIG. 18

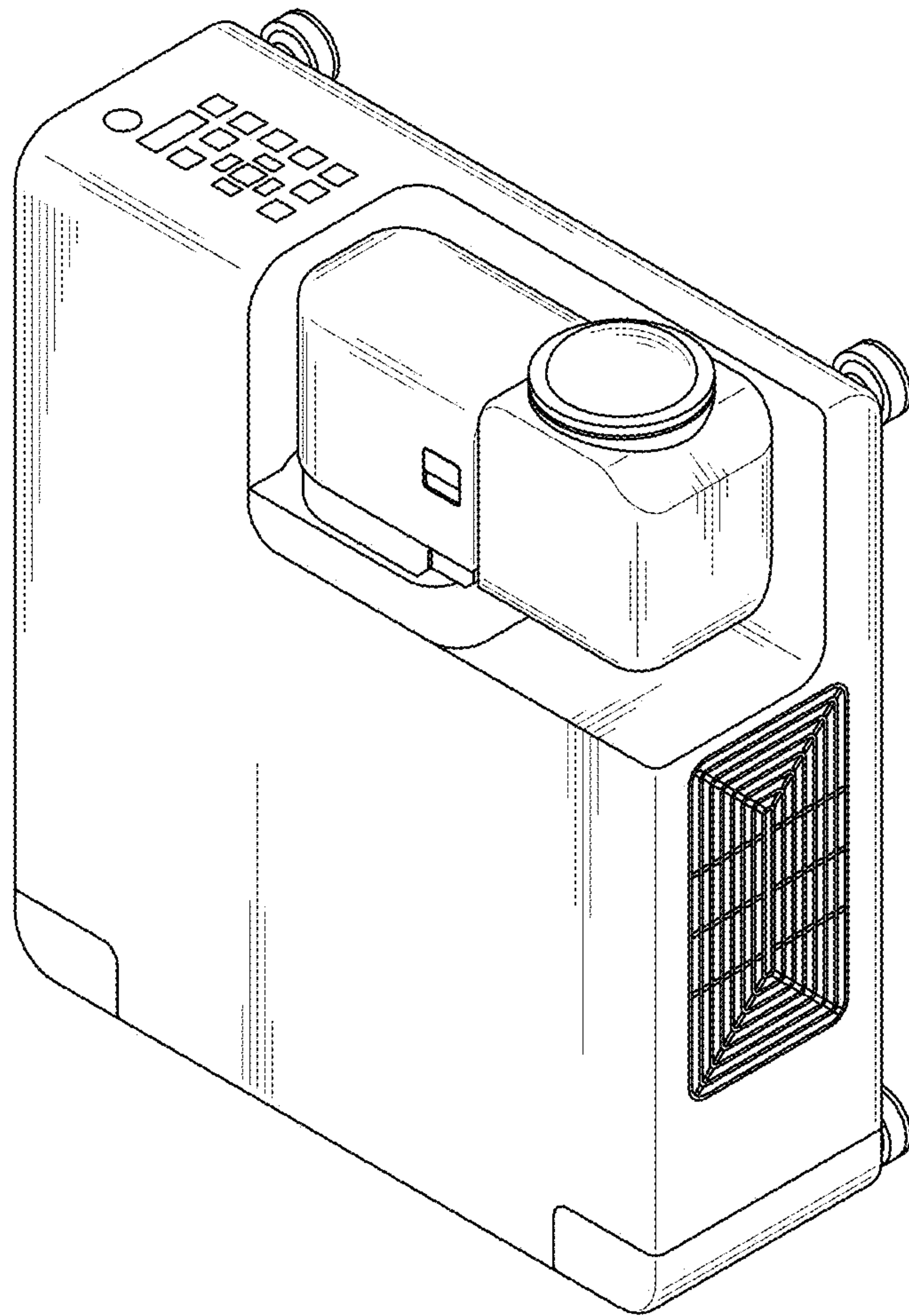


FIG. 19

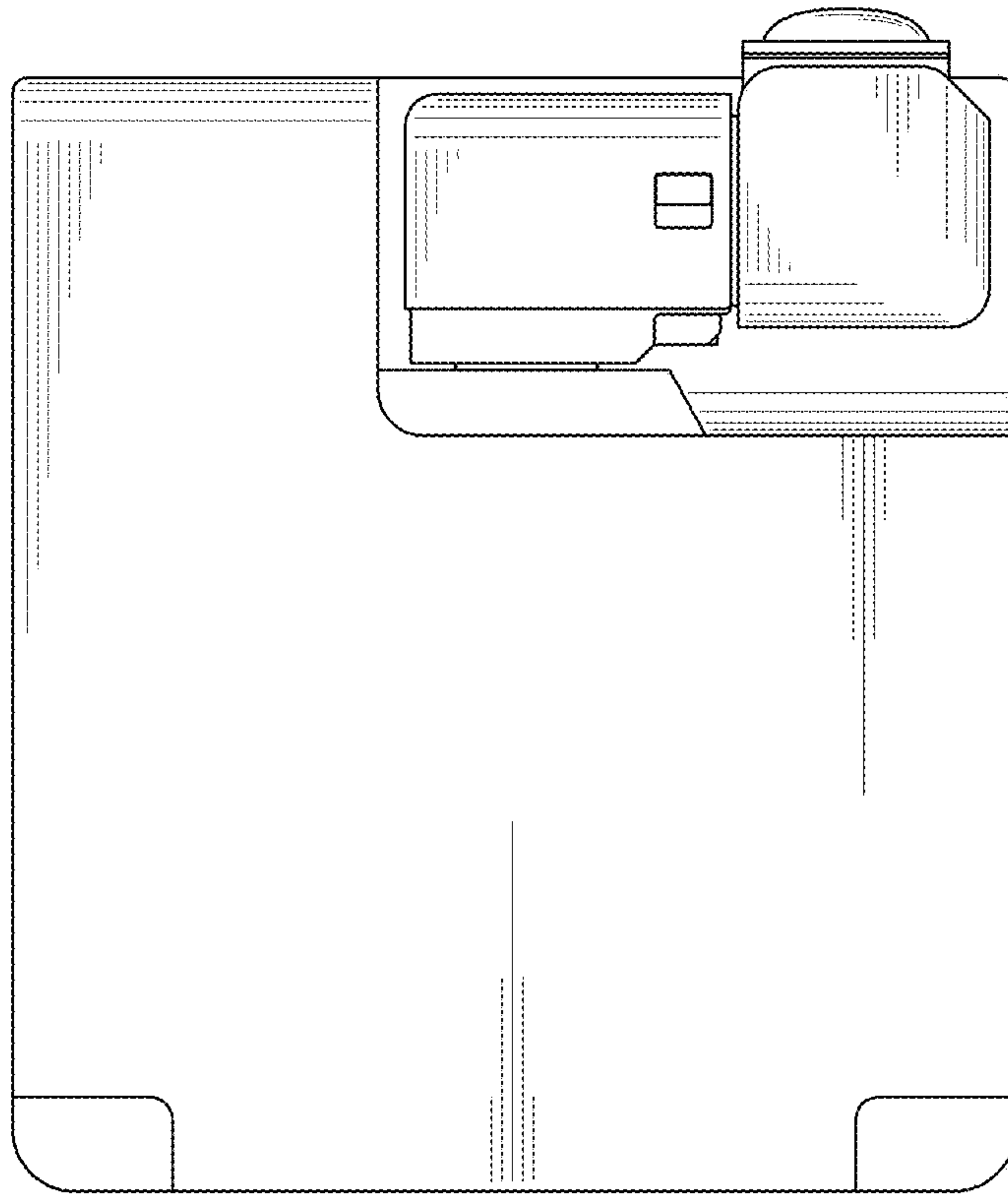


FIG. 20

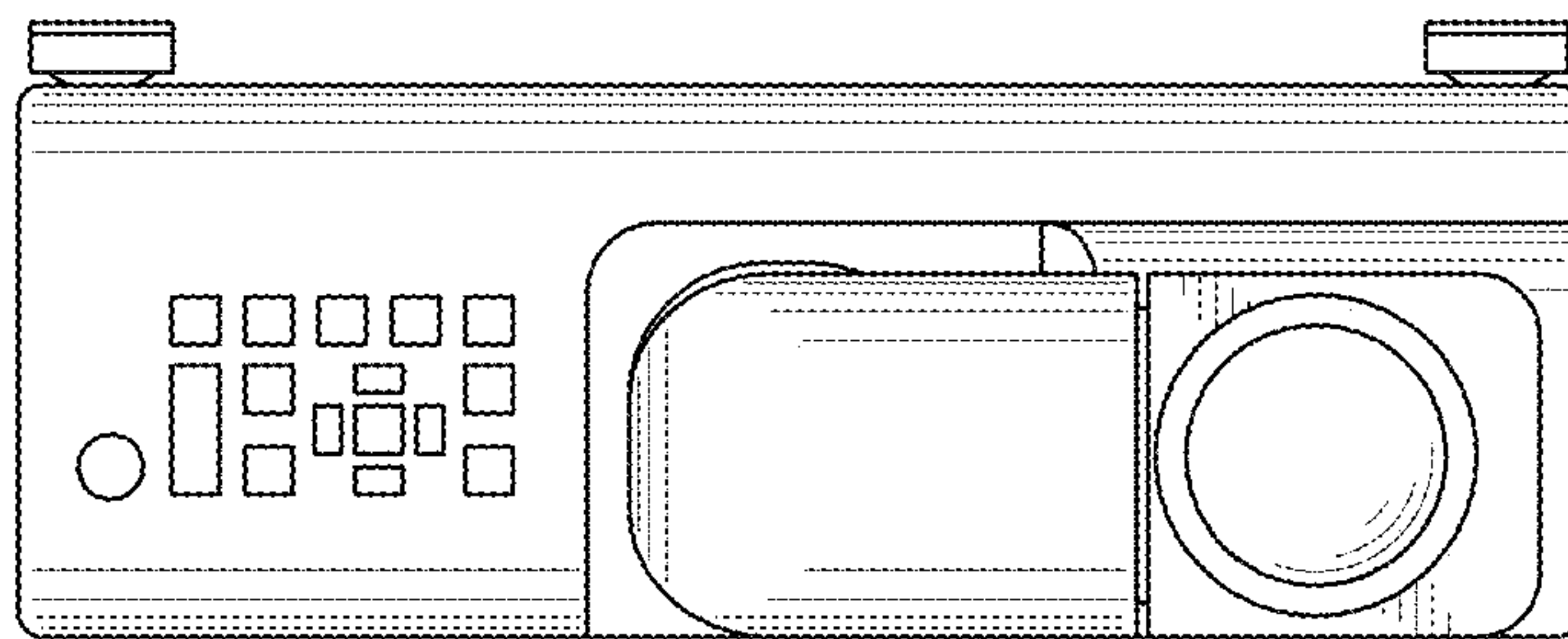


FIG. 21

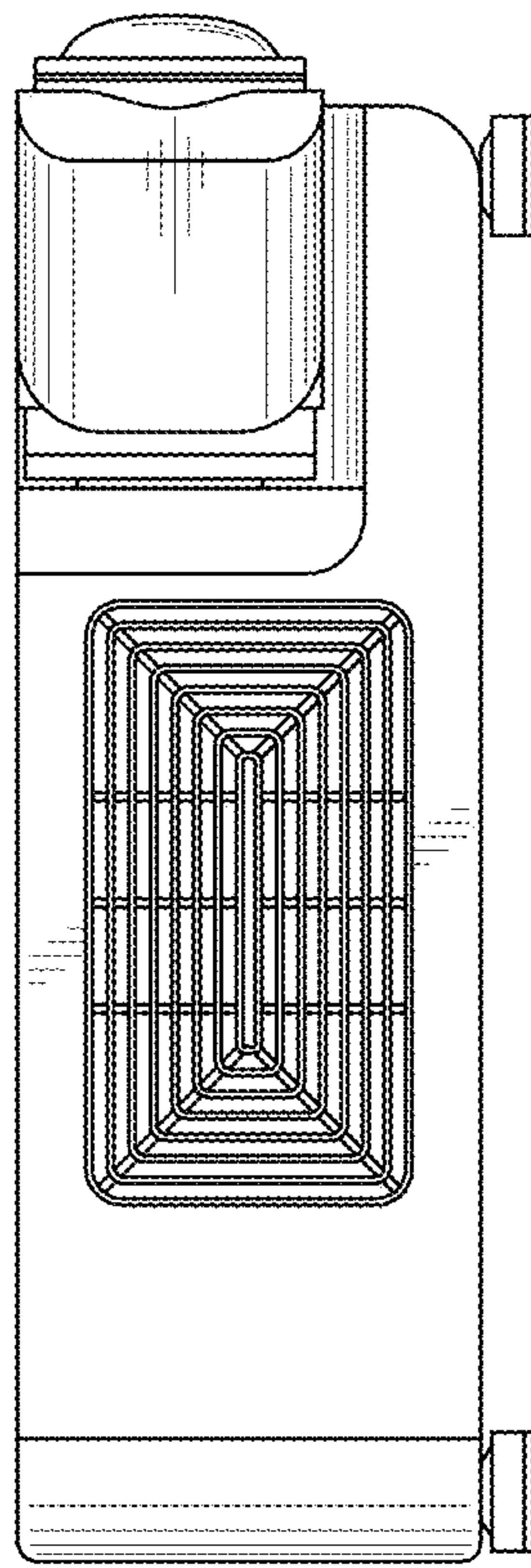


FIG. 22

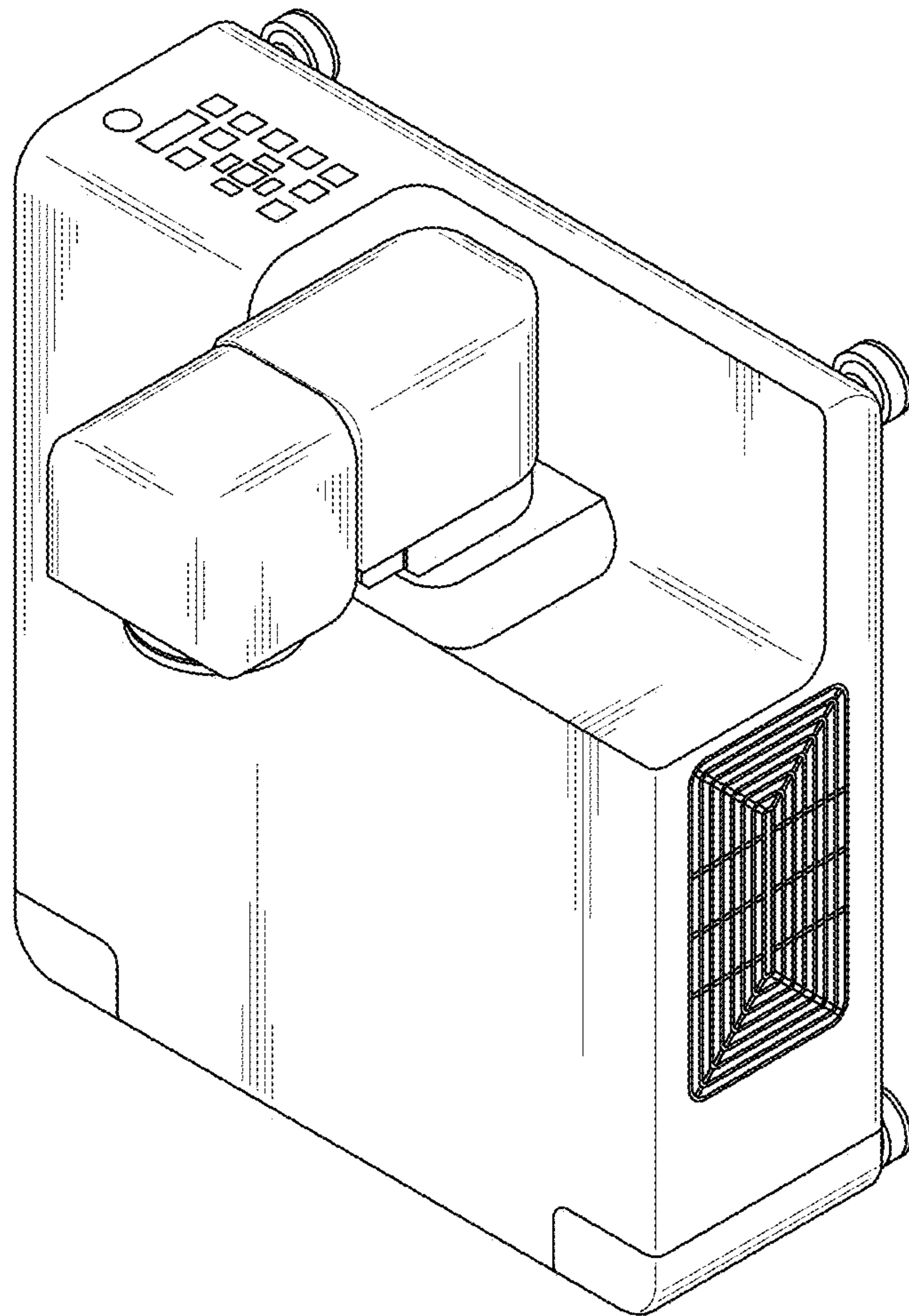


FIG. 23

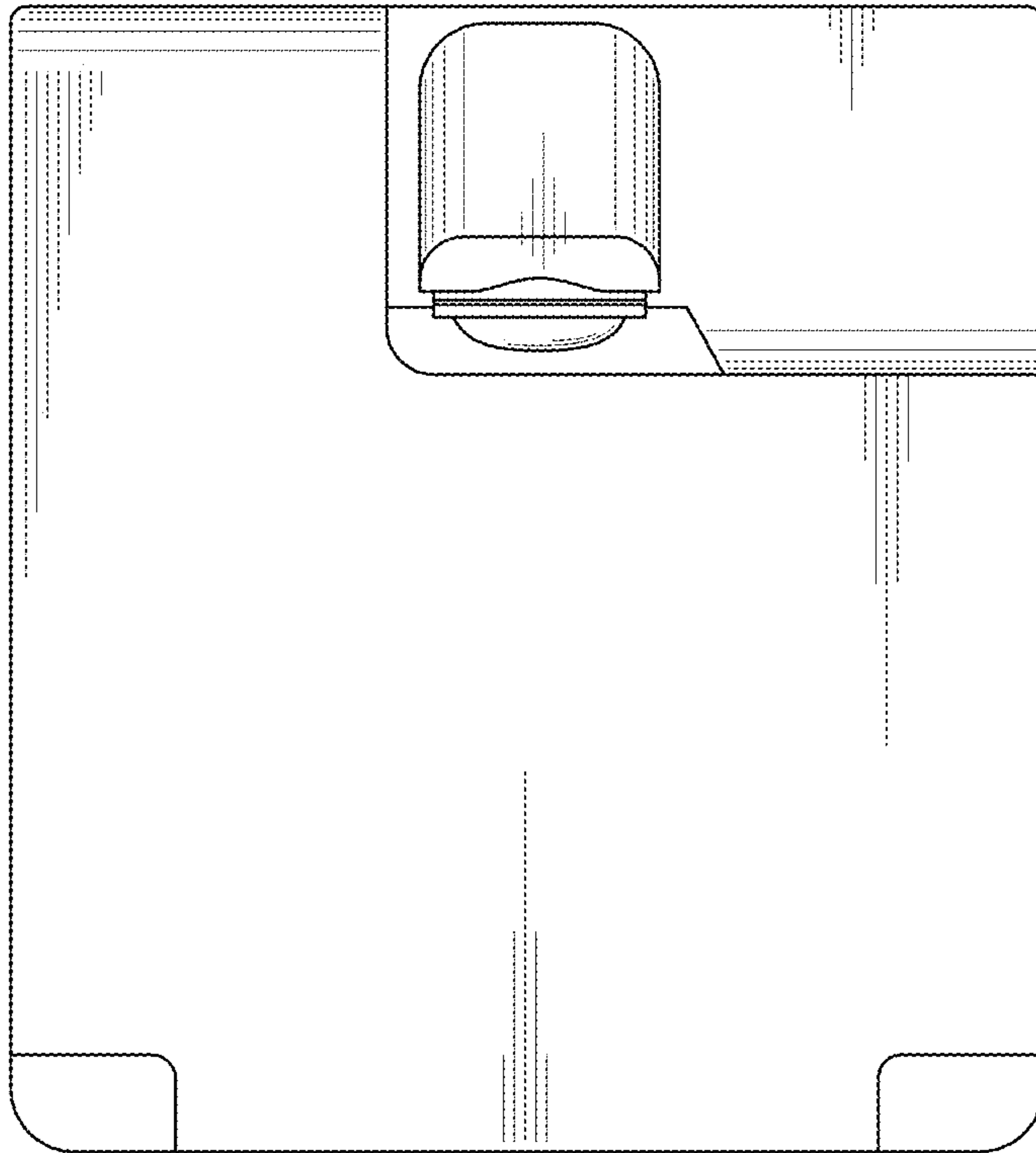


FIG. 24

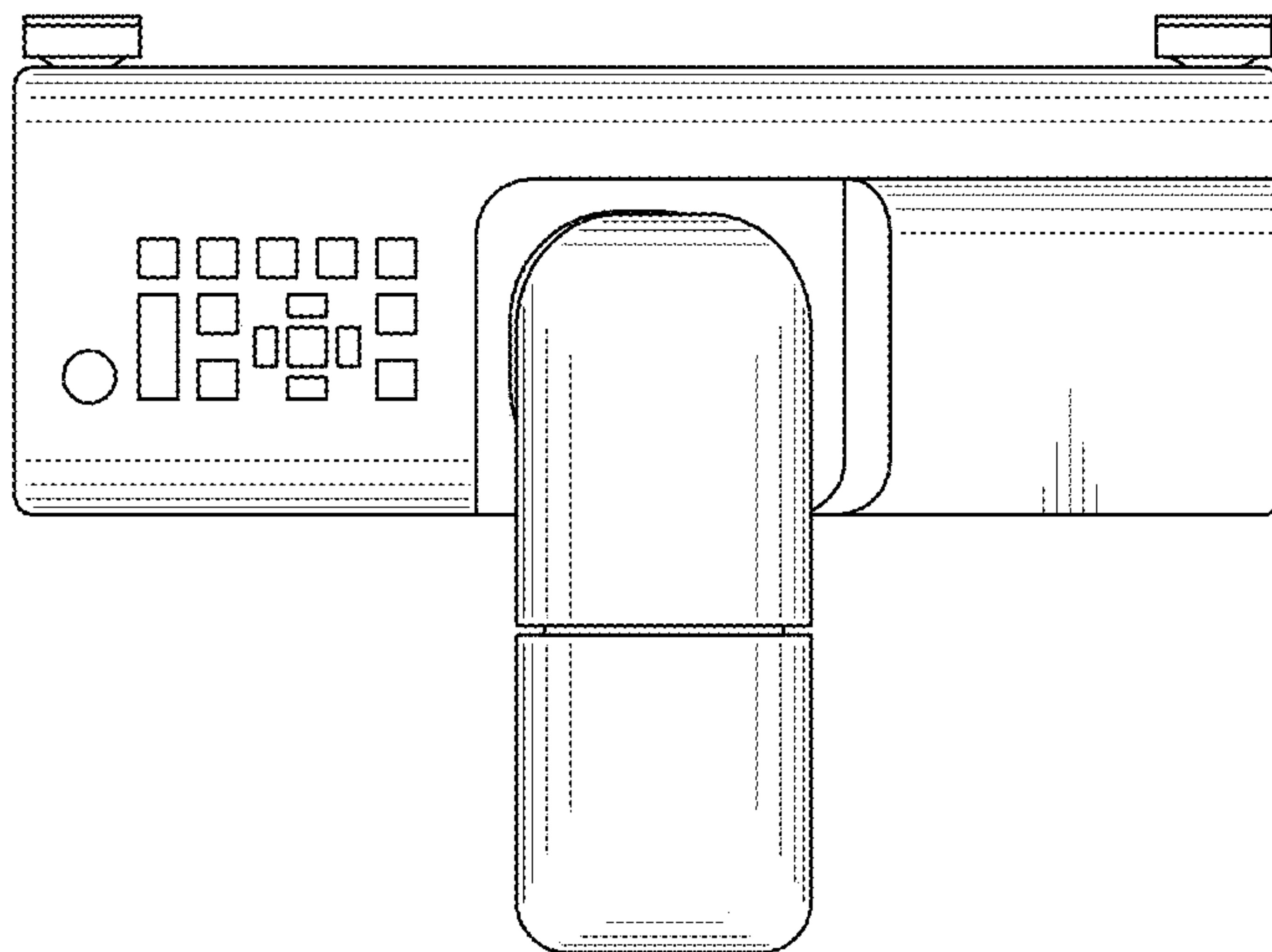


FIG. 25

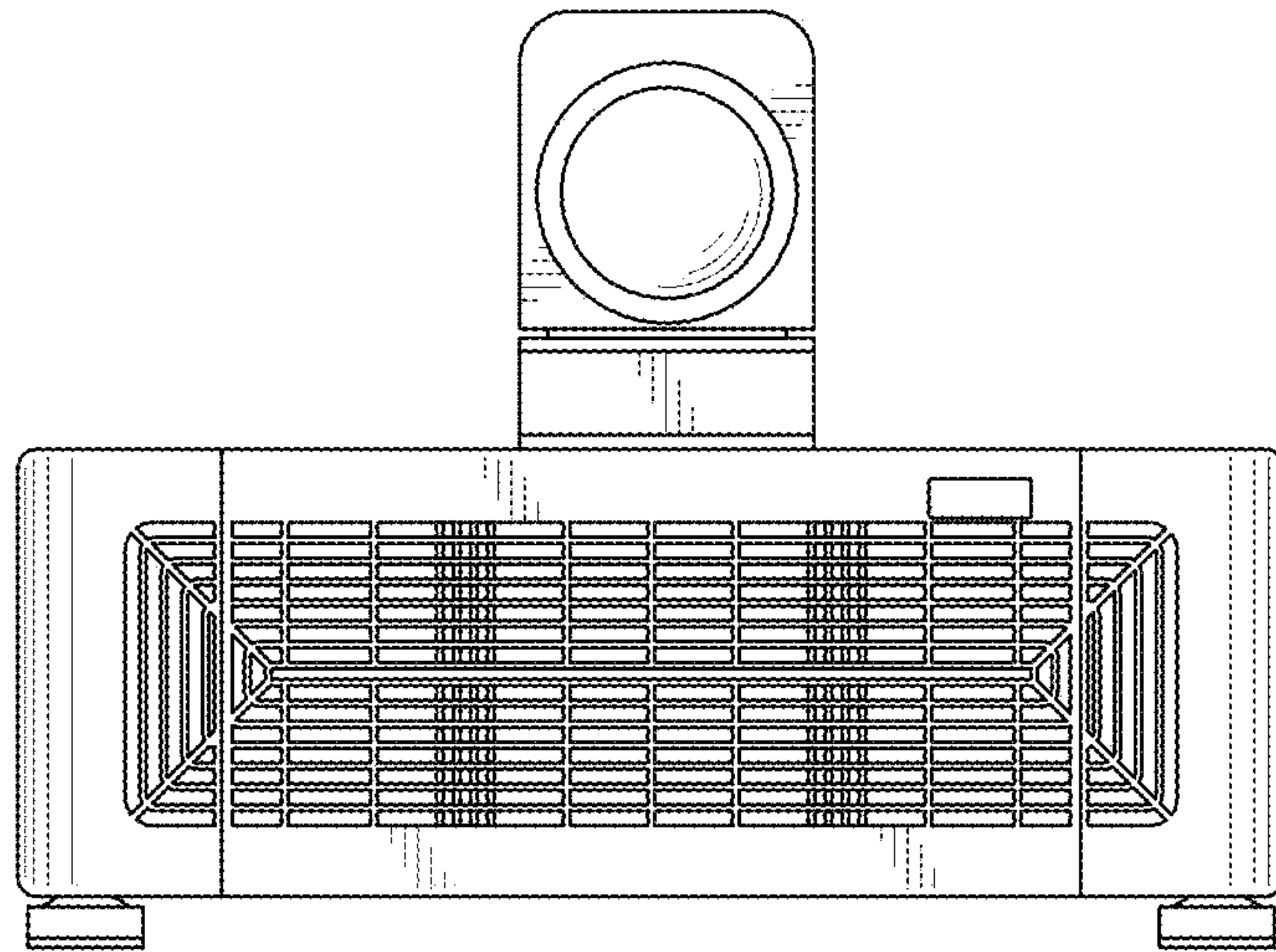


FIG. 26

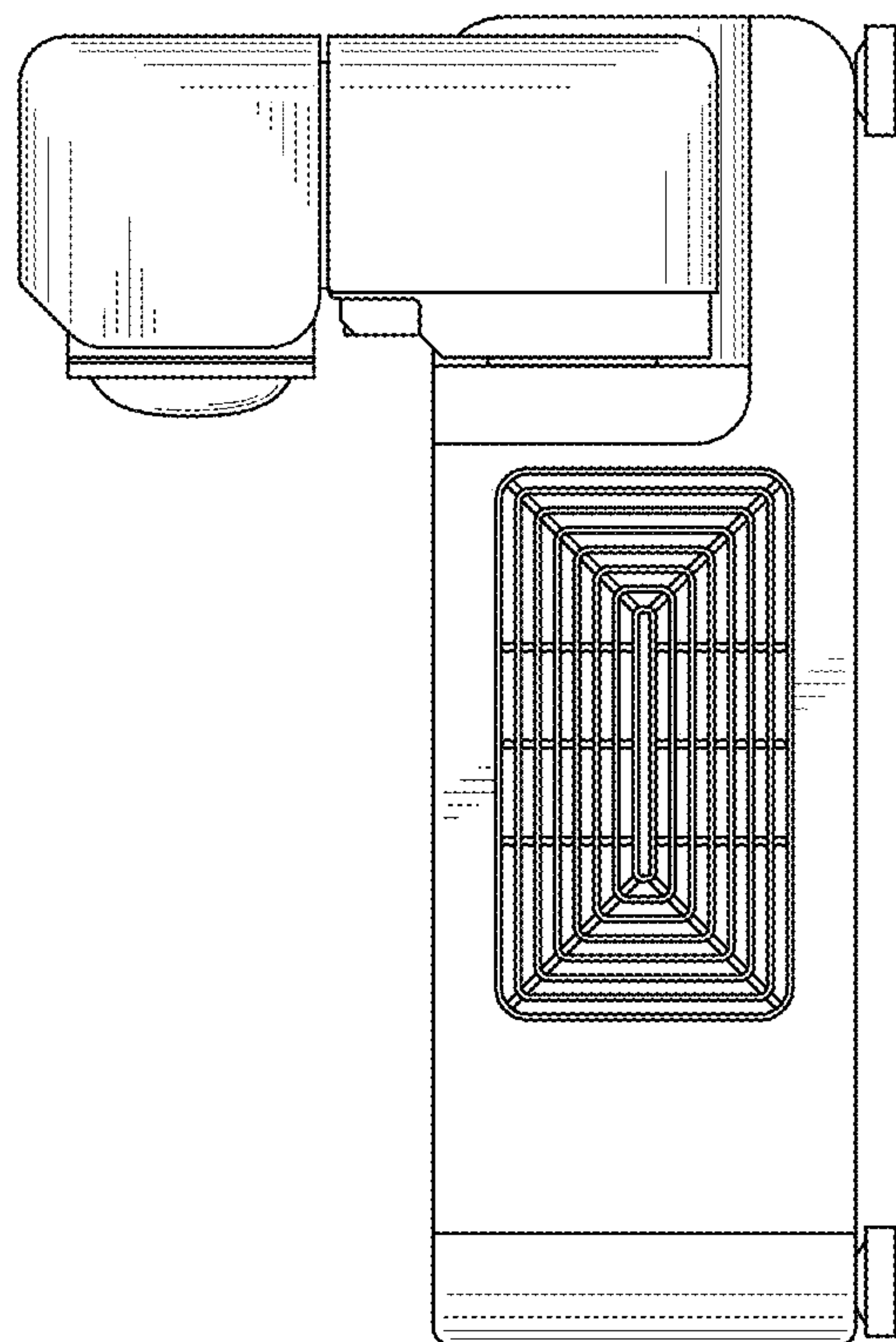


FIG. 27

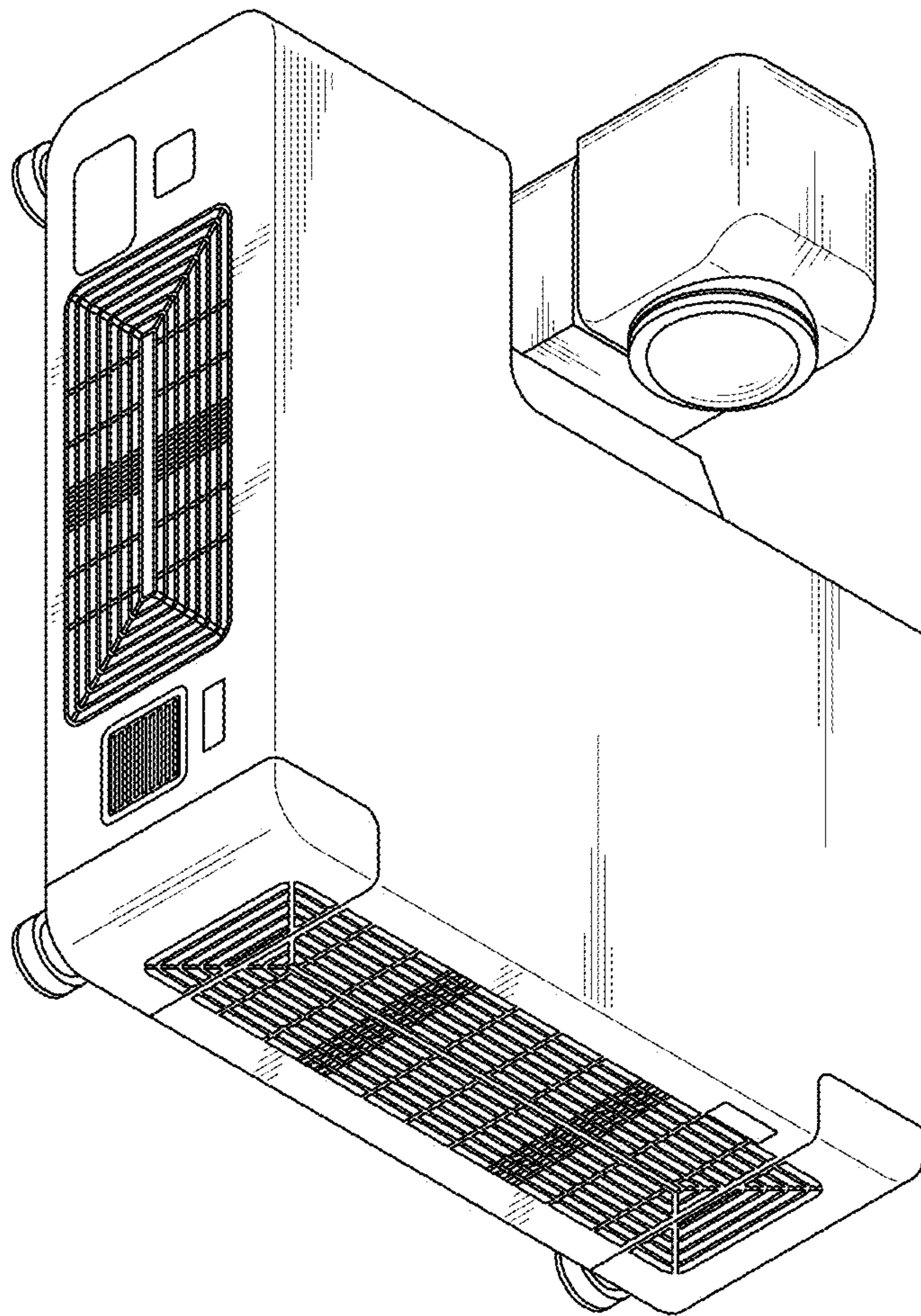


FIG. 28

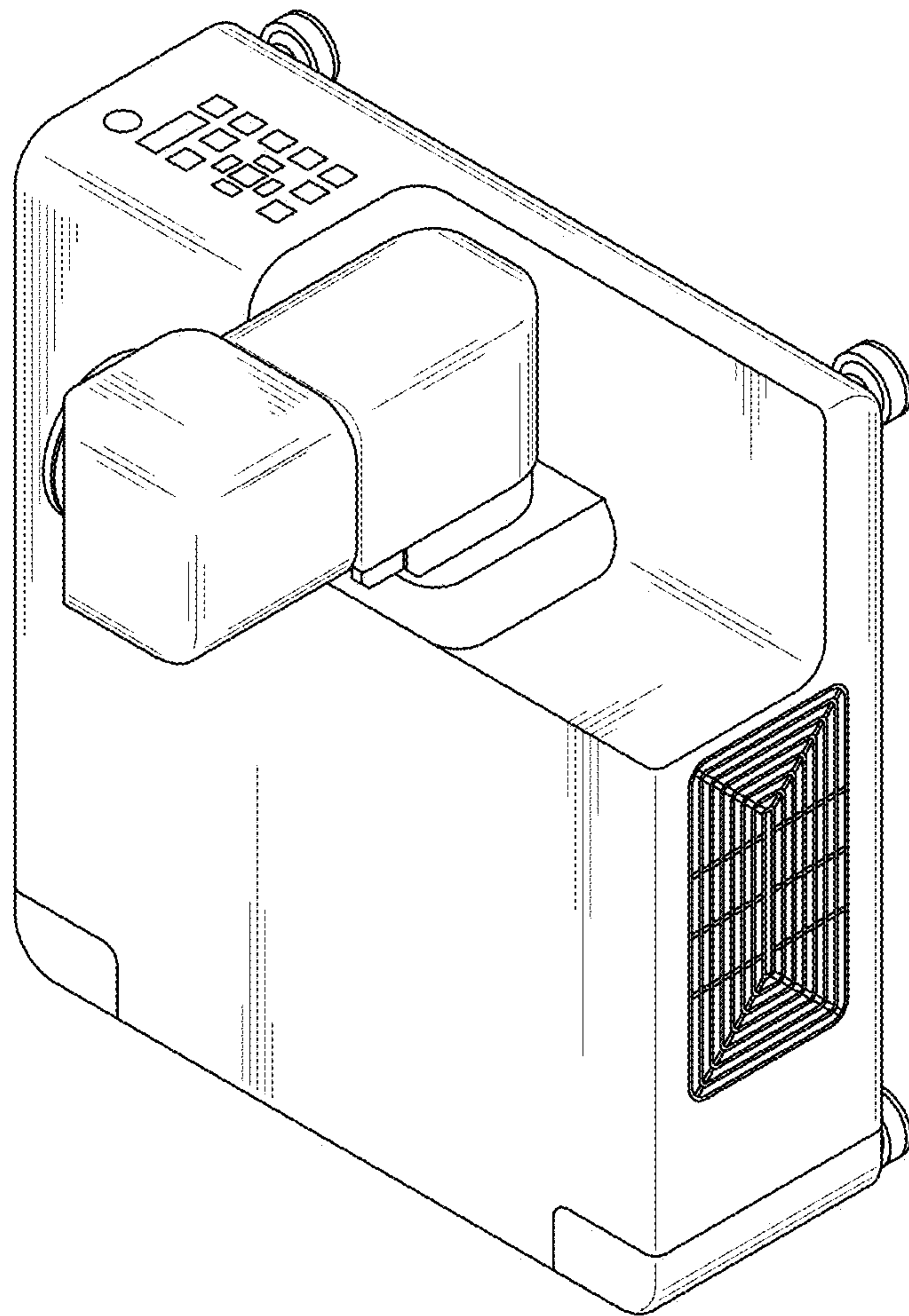


FIG. 29

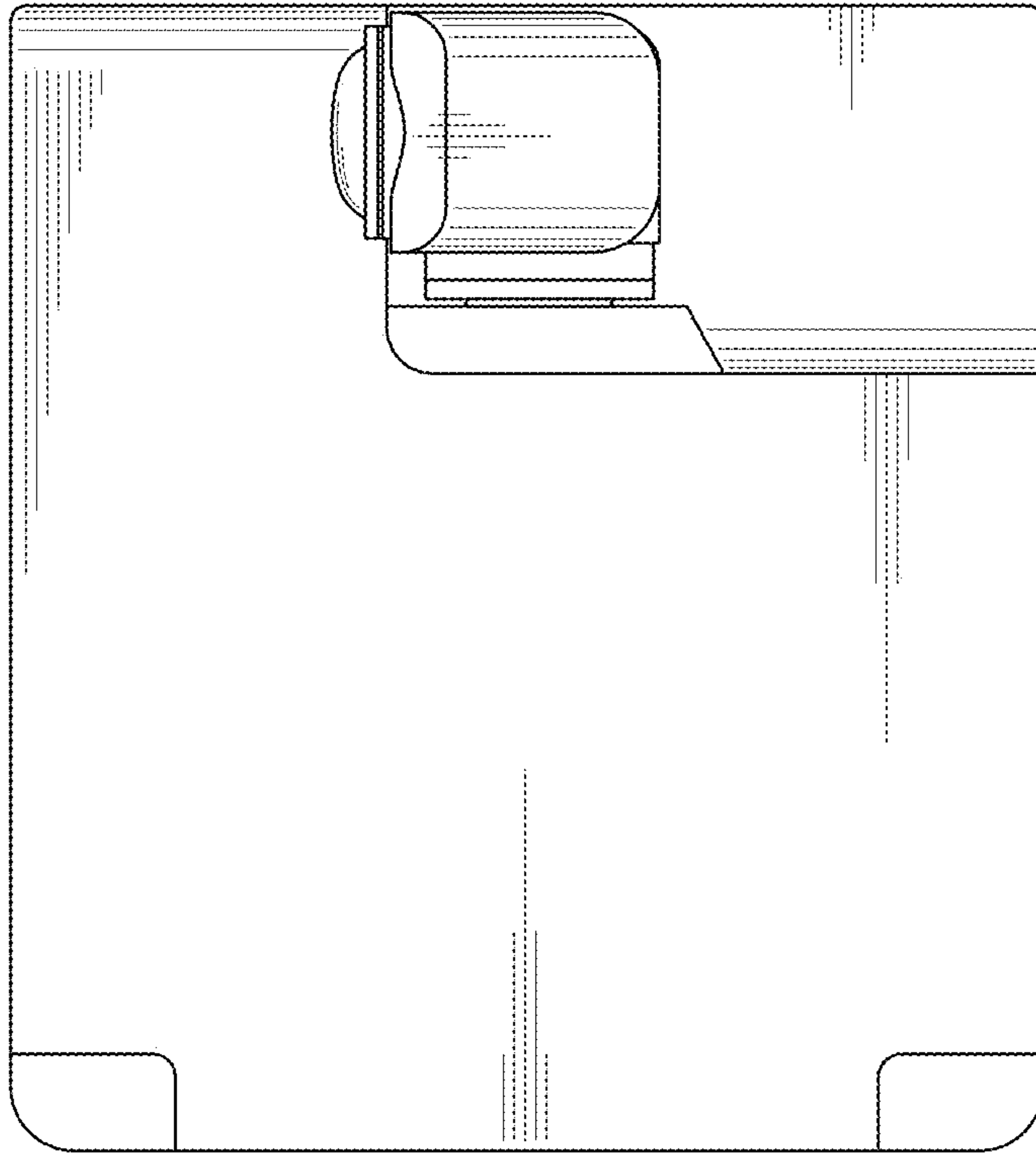


FIG. 30

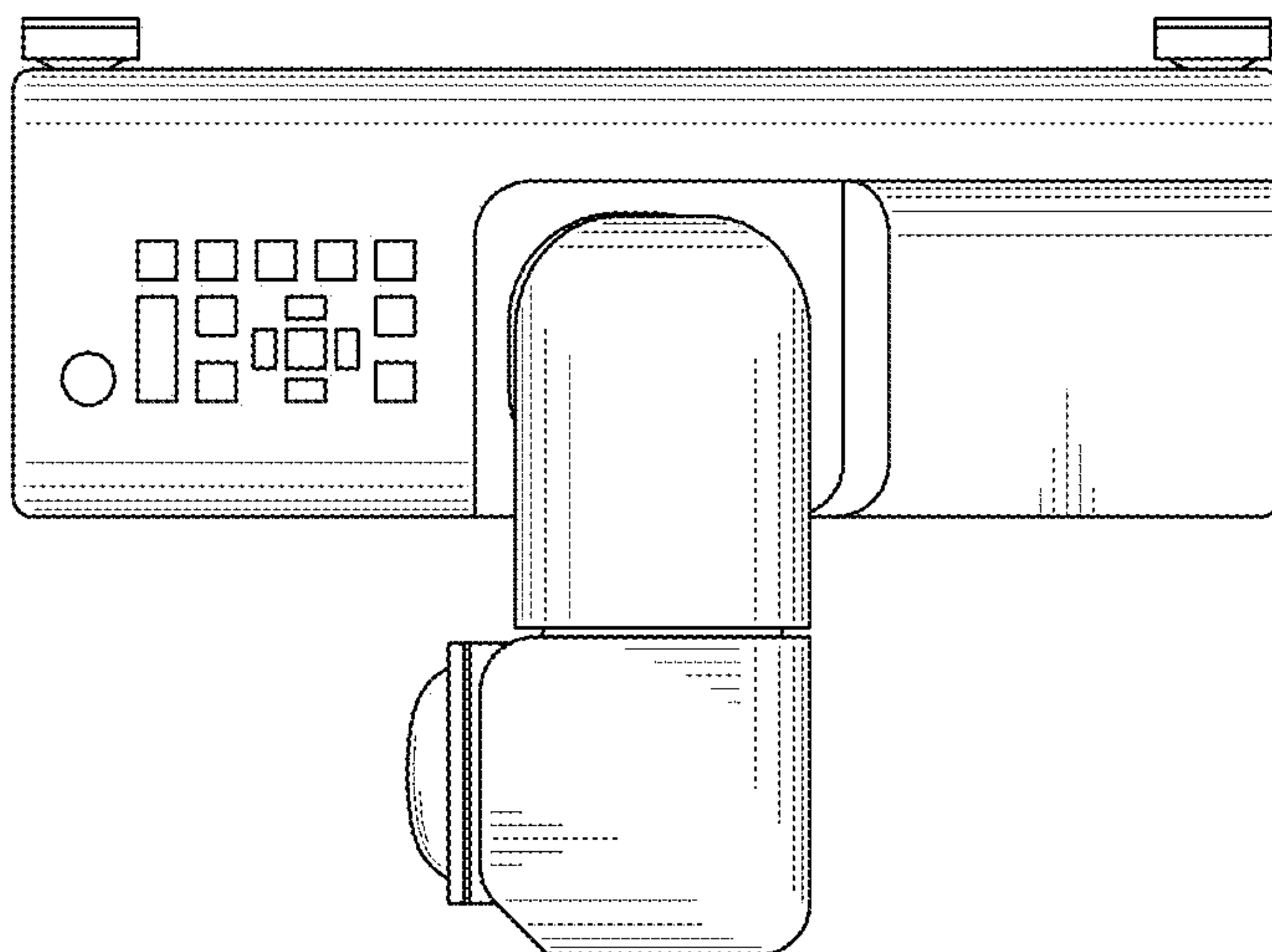


FIG. 31

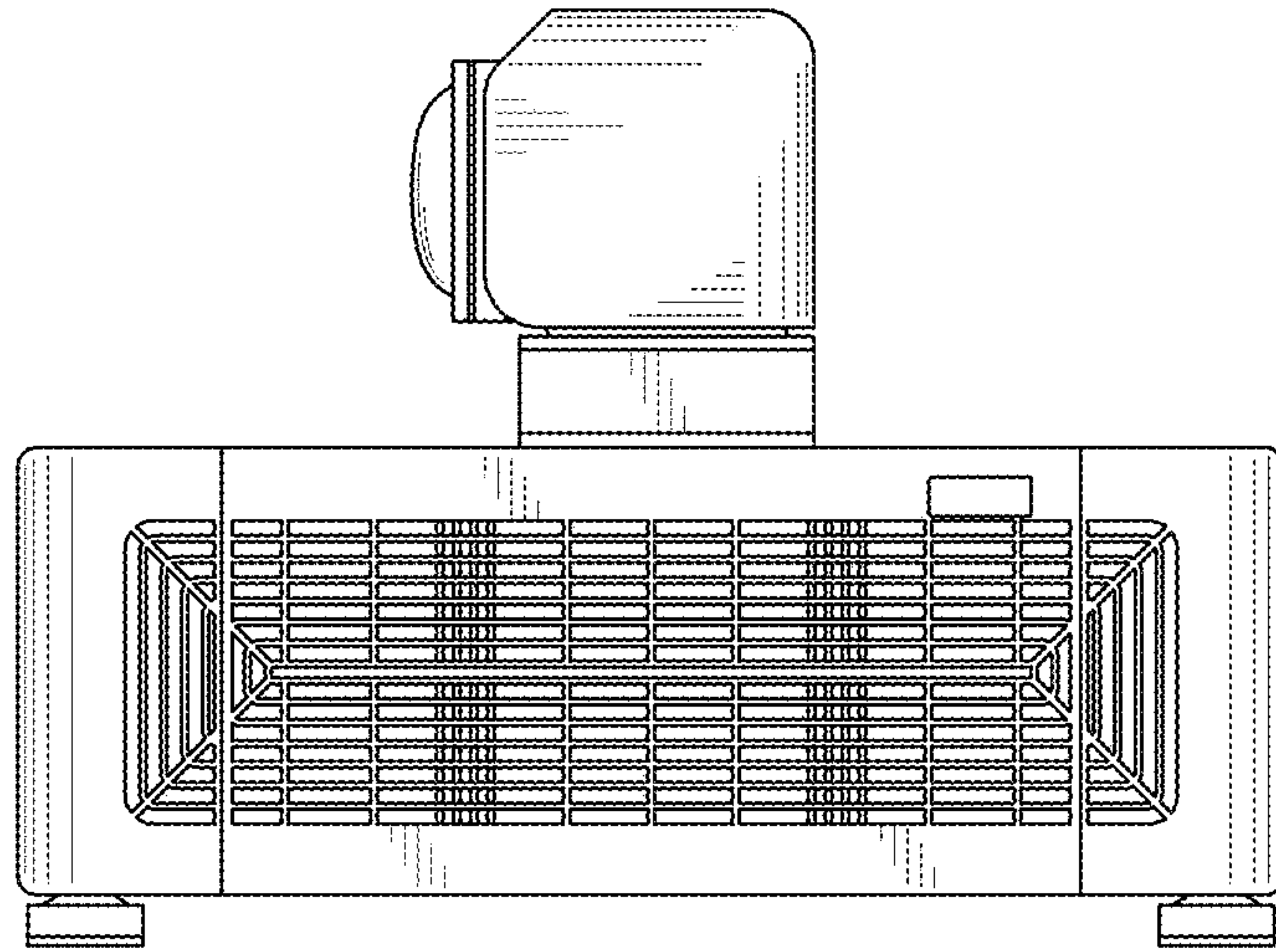


FIG. 32

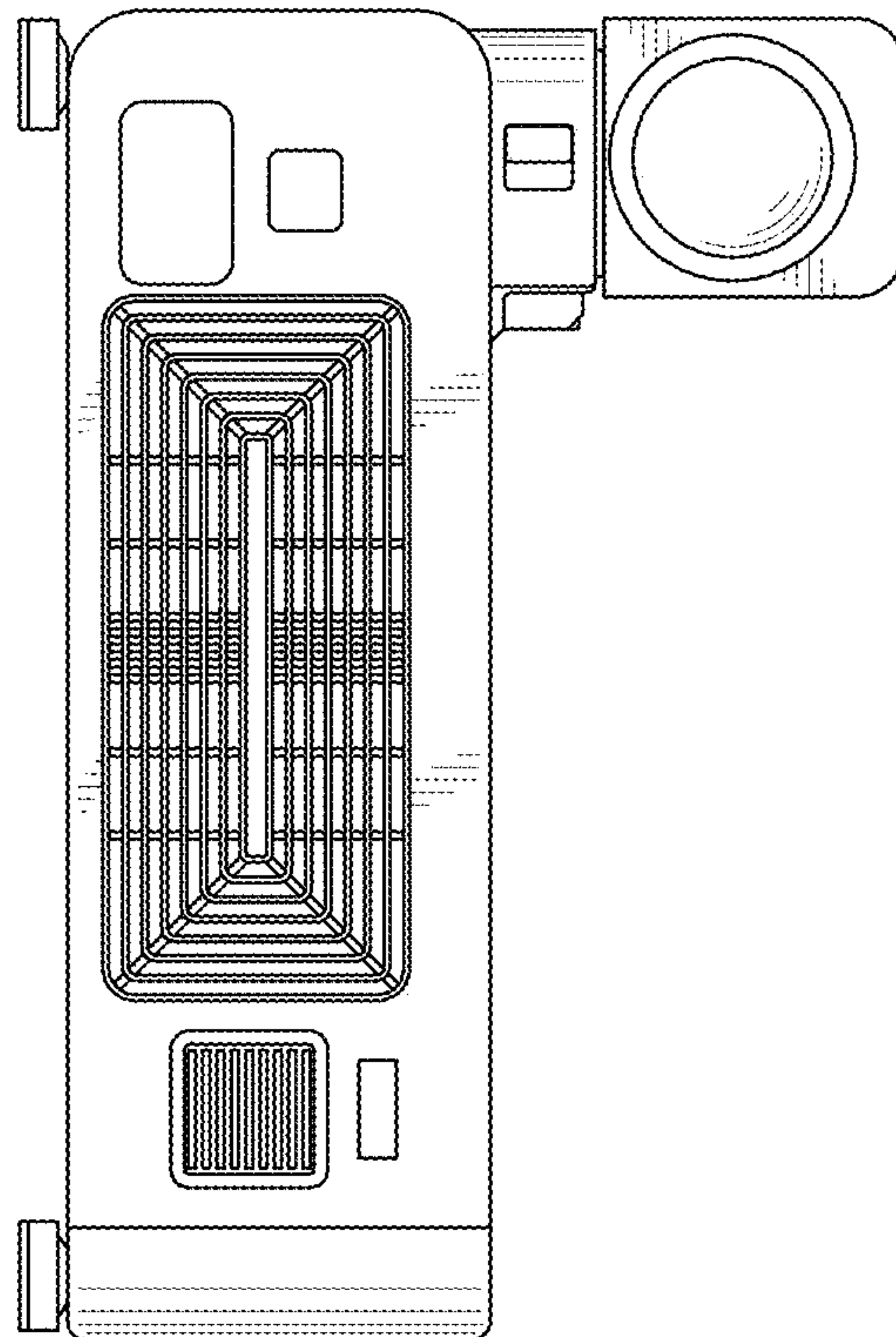


FIG. 33

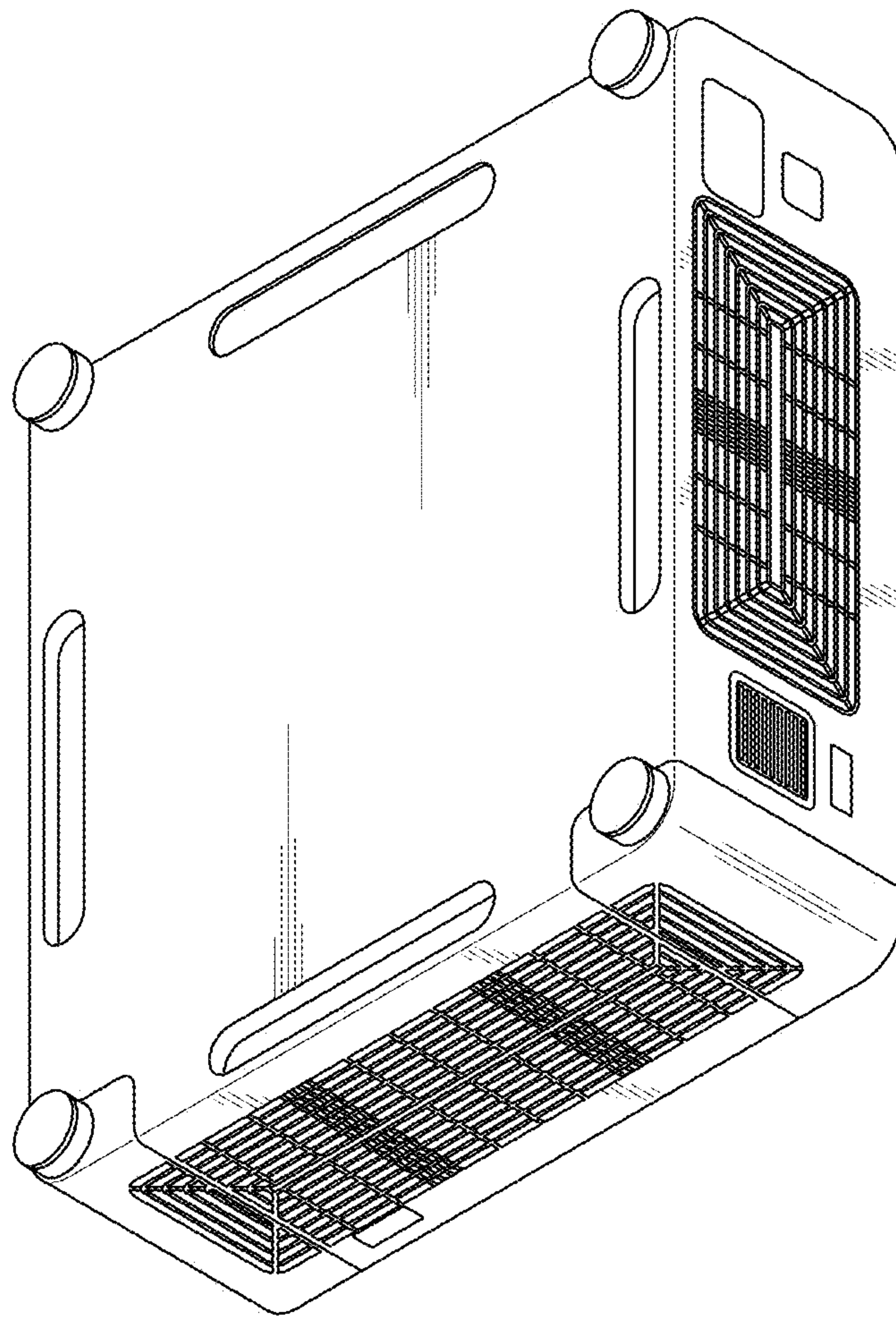


FIG. 34

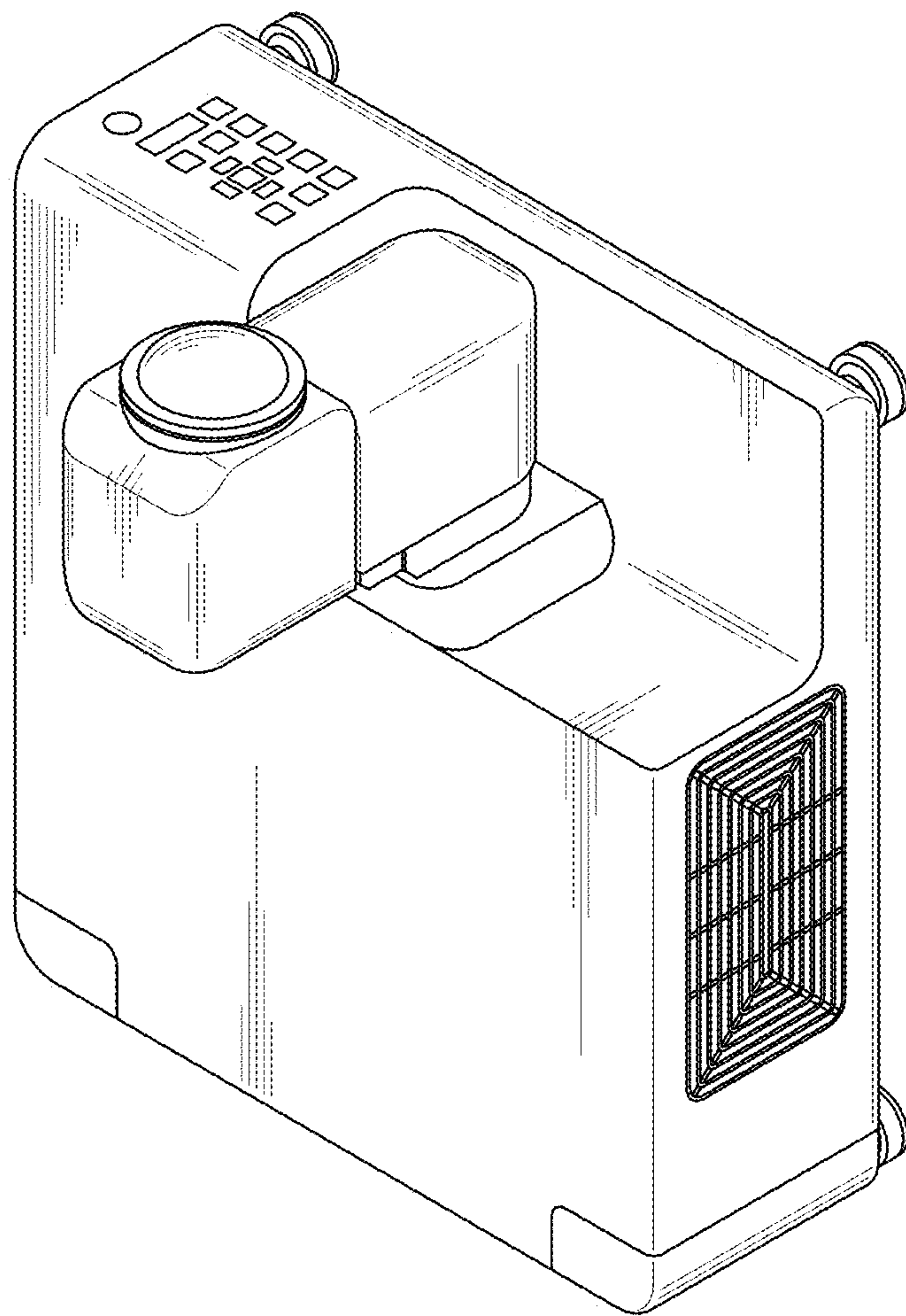


FIG. 35

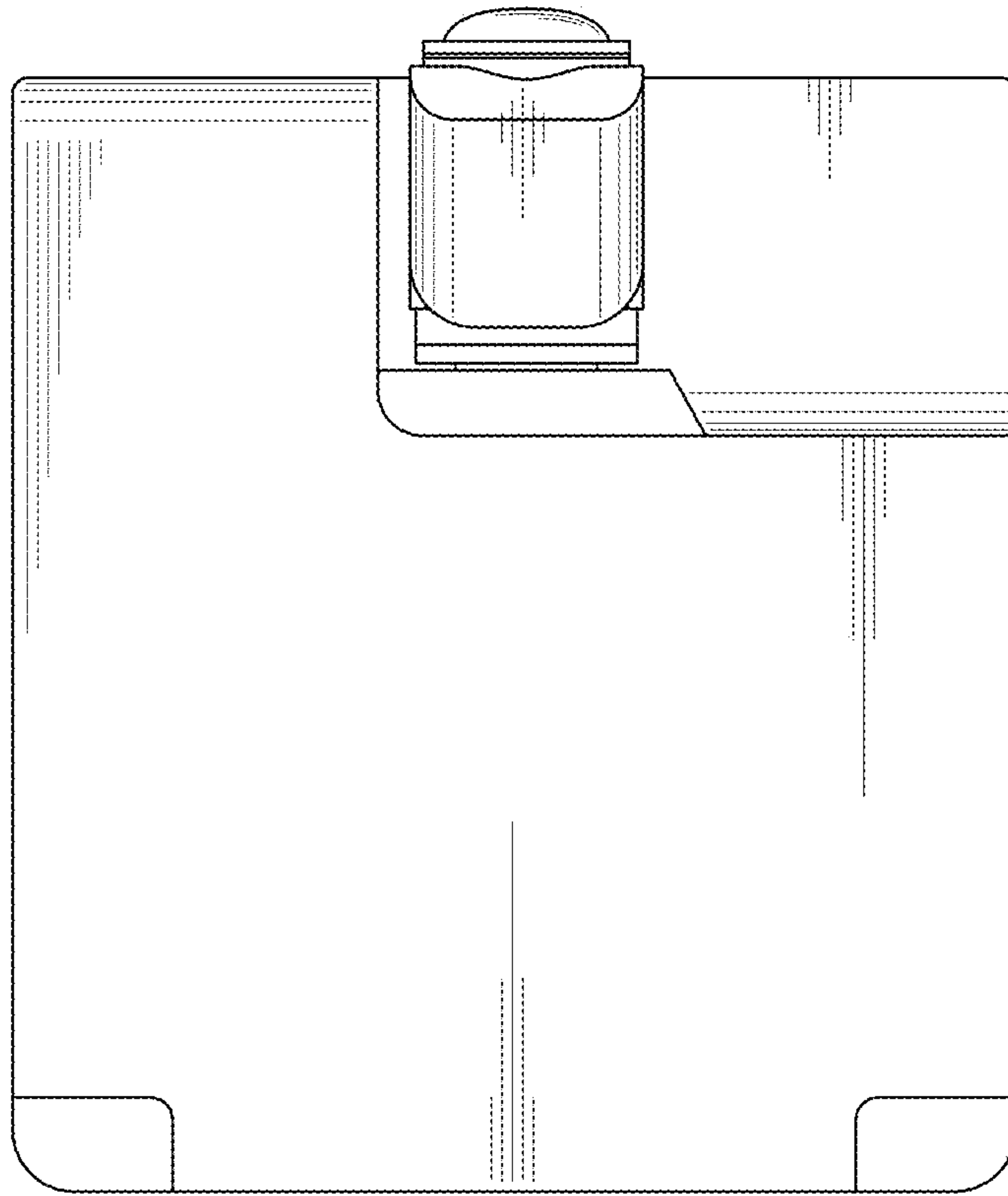


FIG. 36

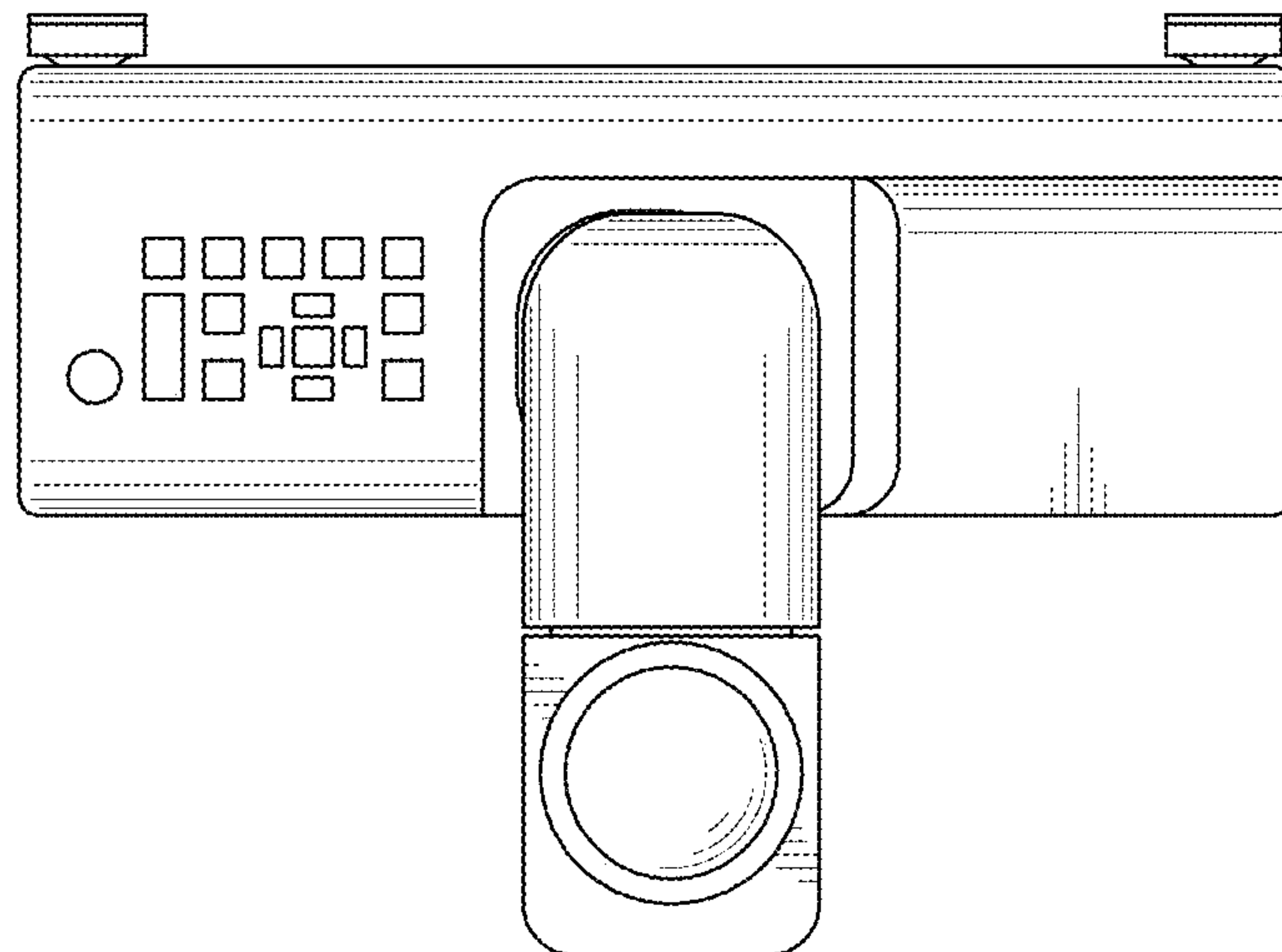


FIG. 37

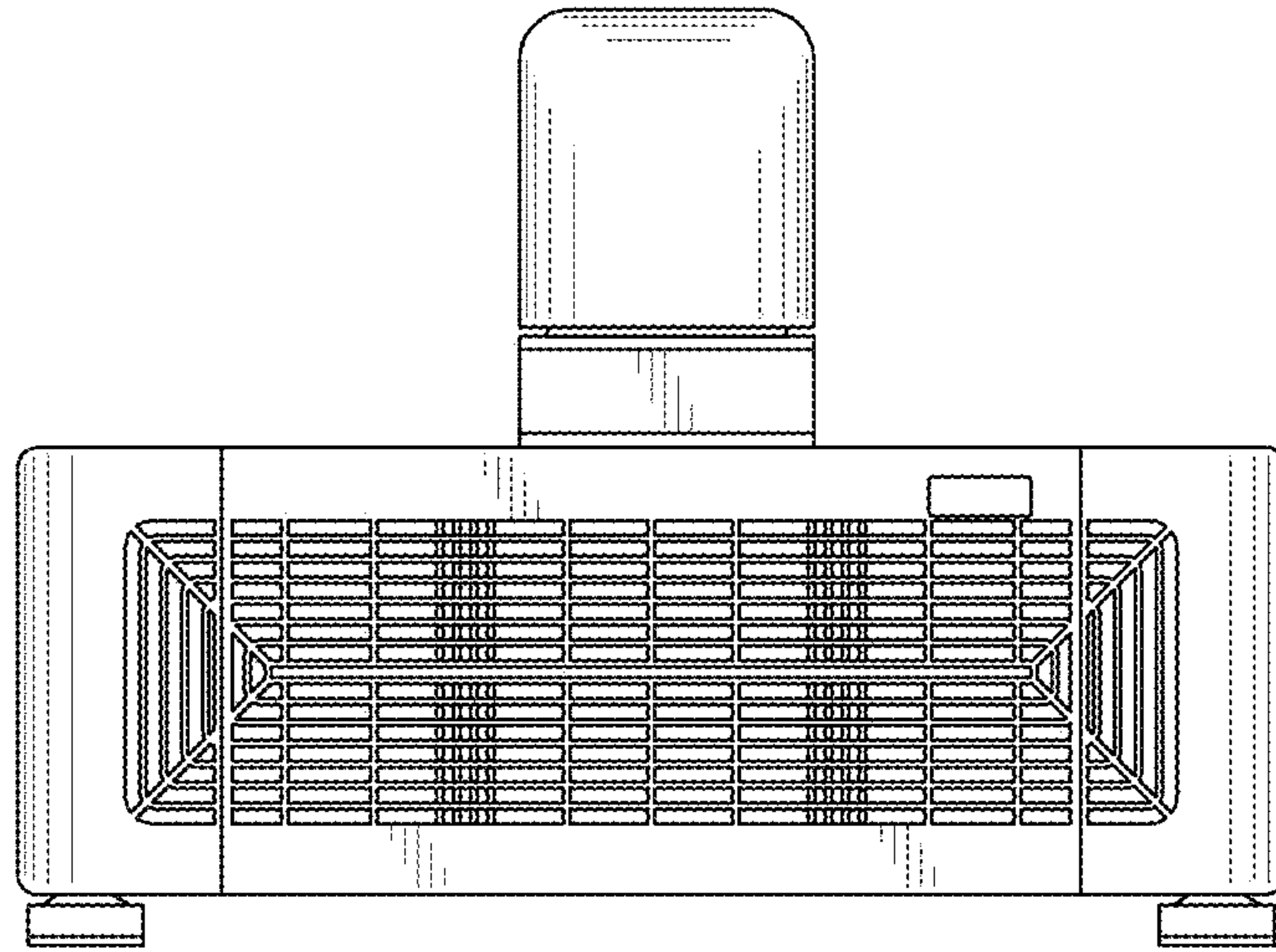


FIG. 38

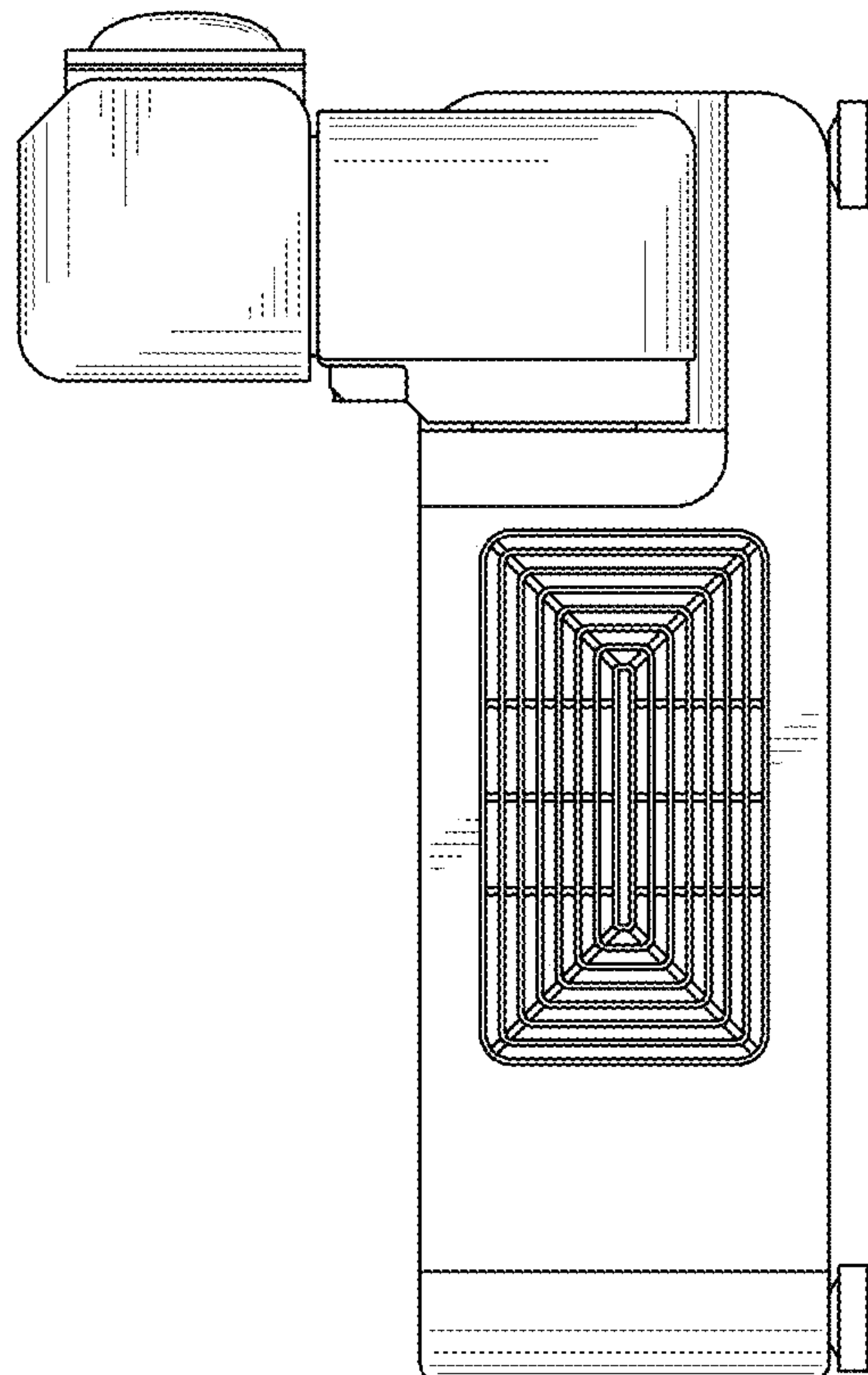


FIG. 39

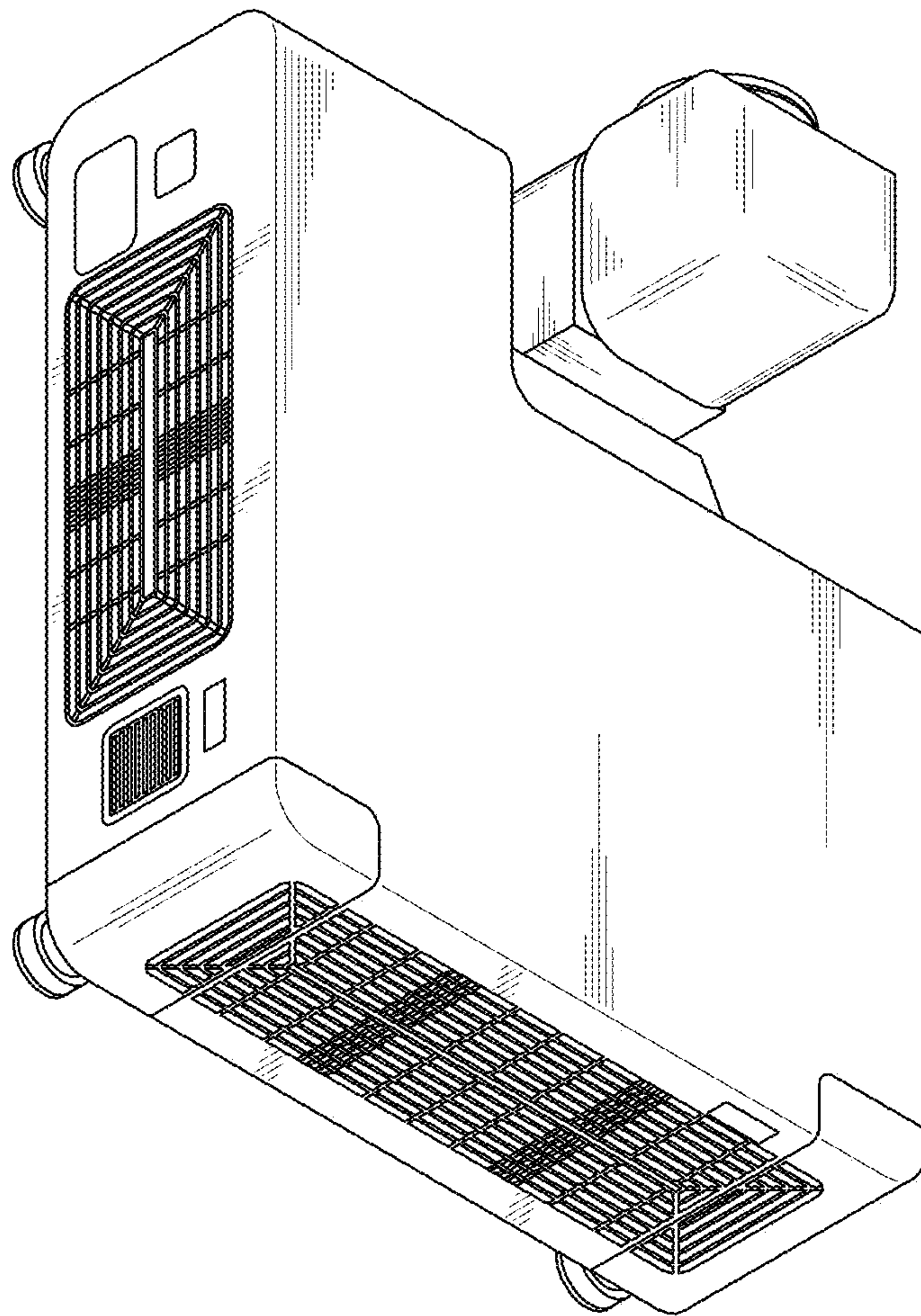


FIG. 40

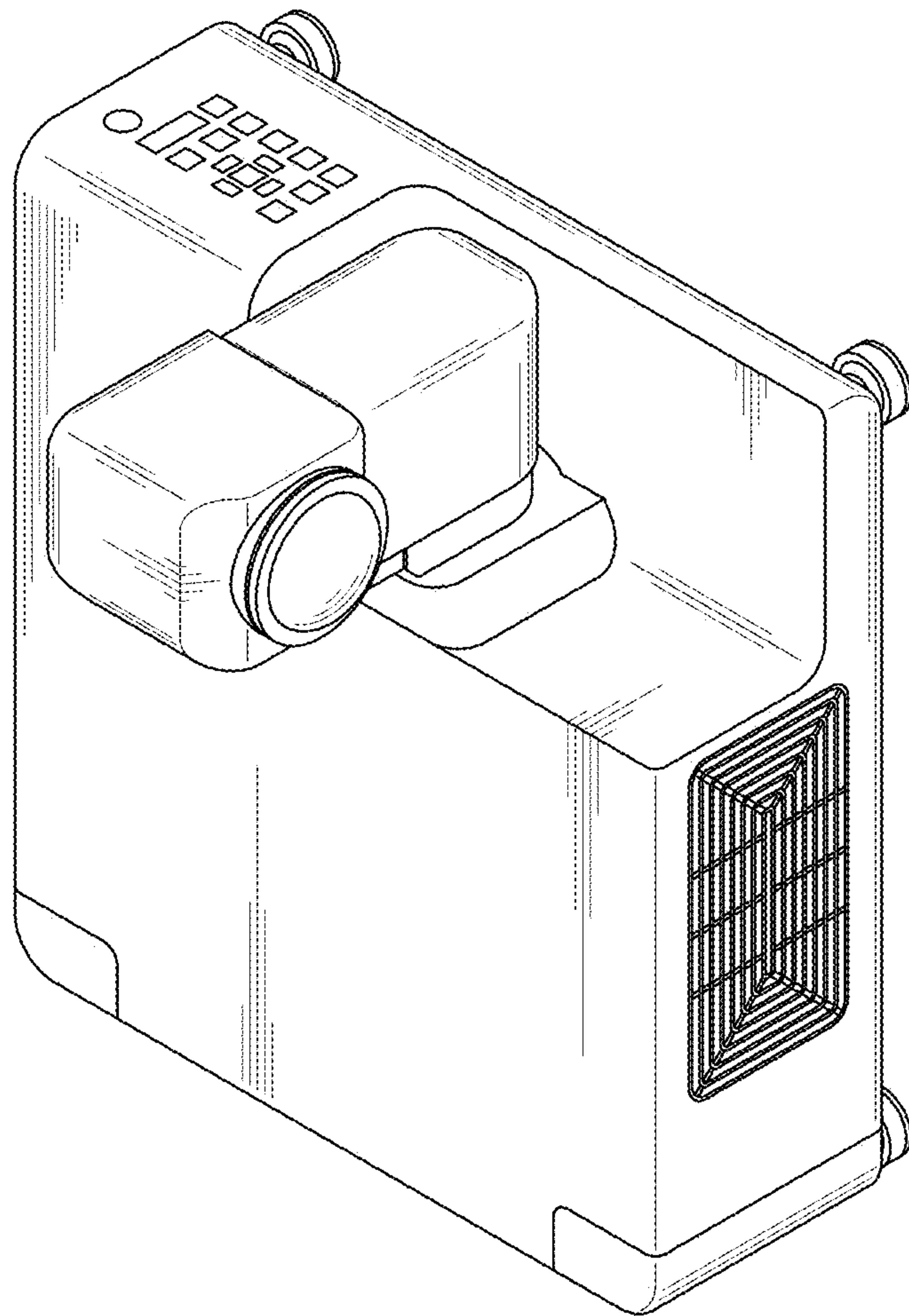


FIG. 41

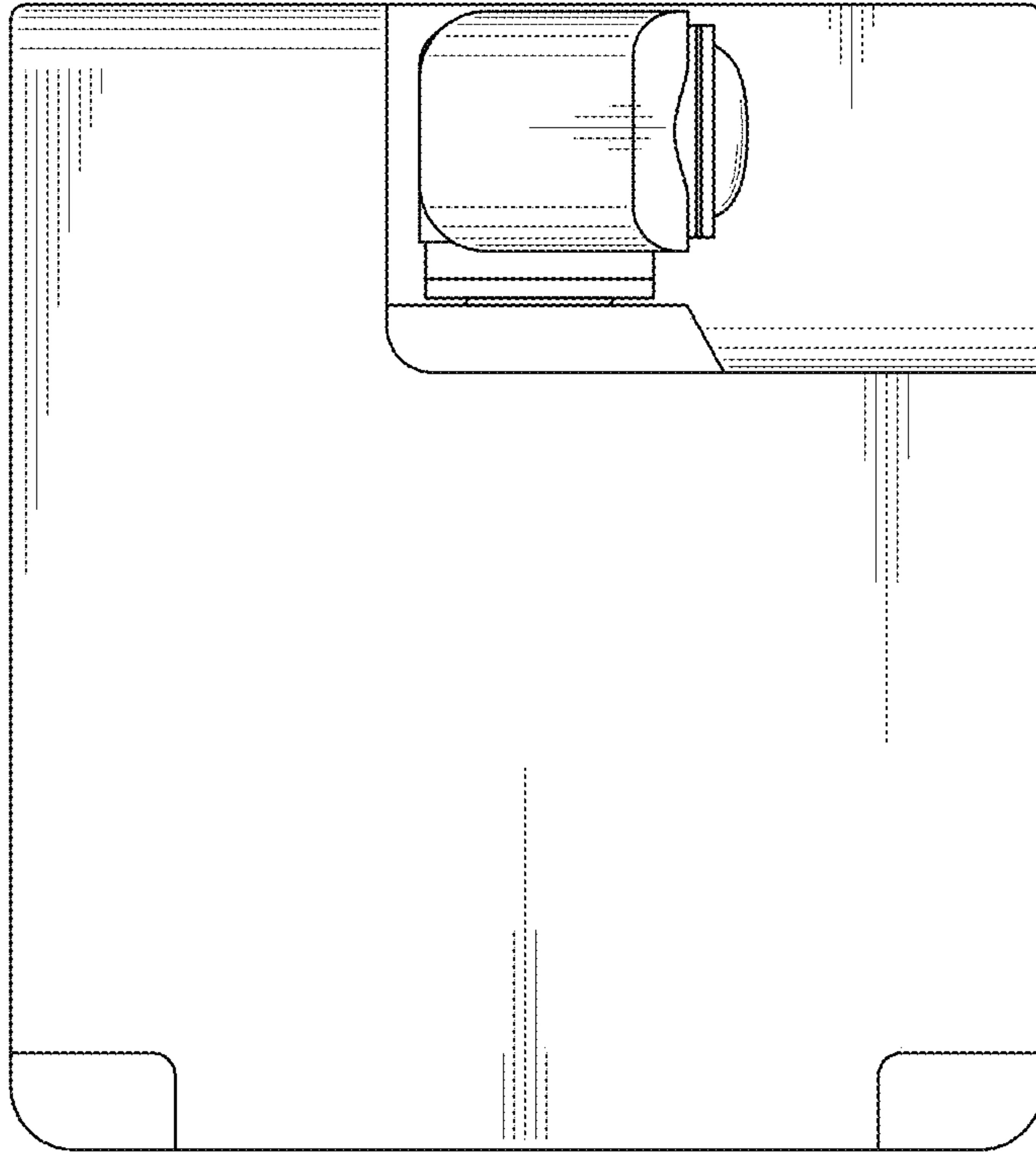


FIG. 42

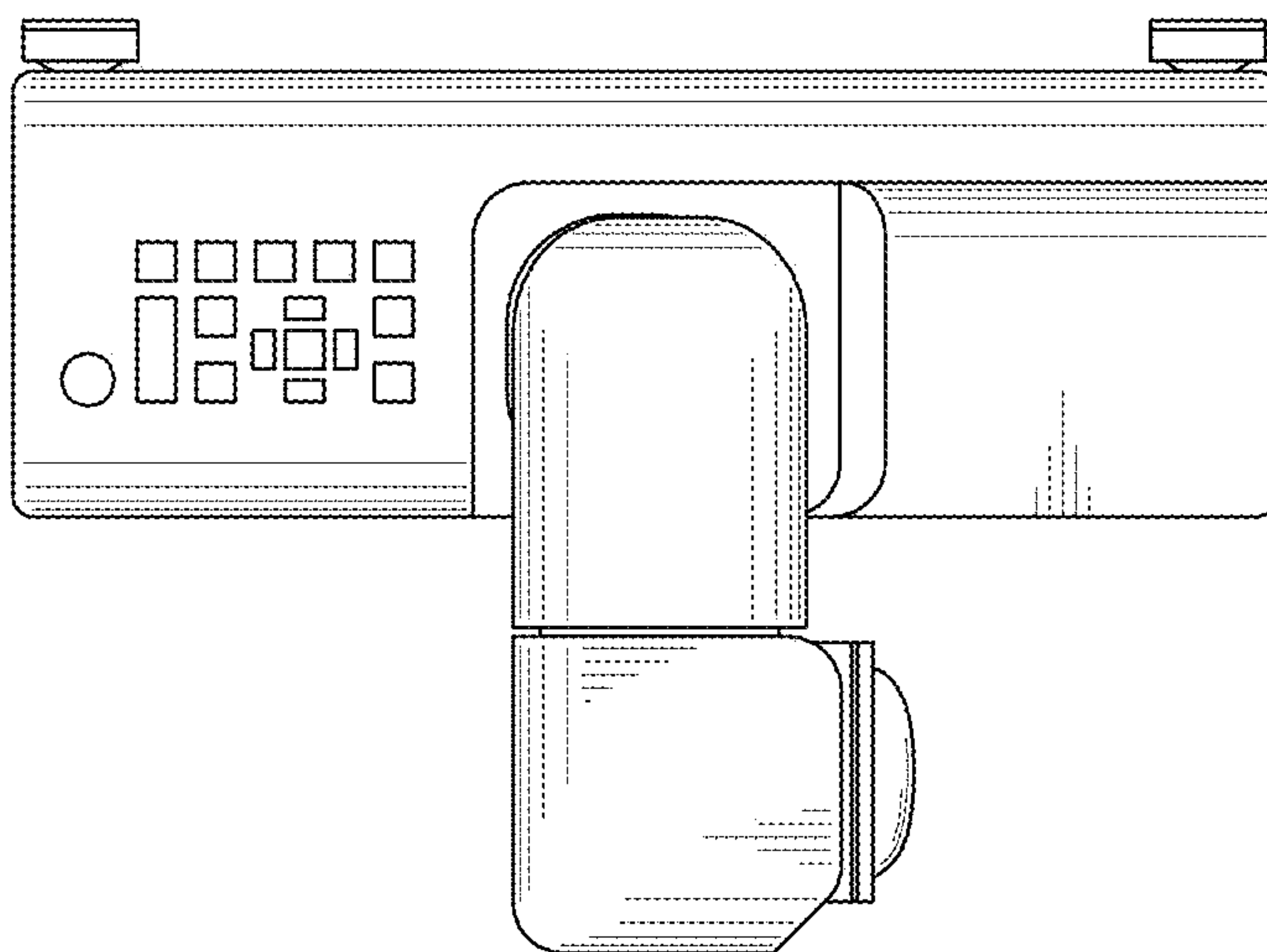


FIG. 43

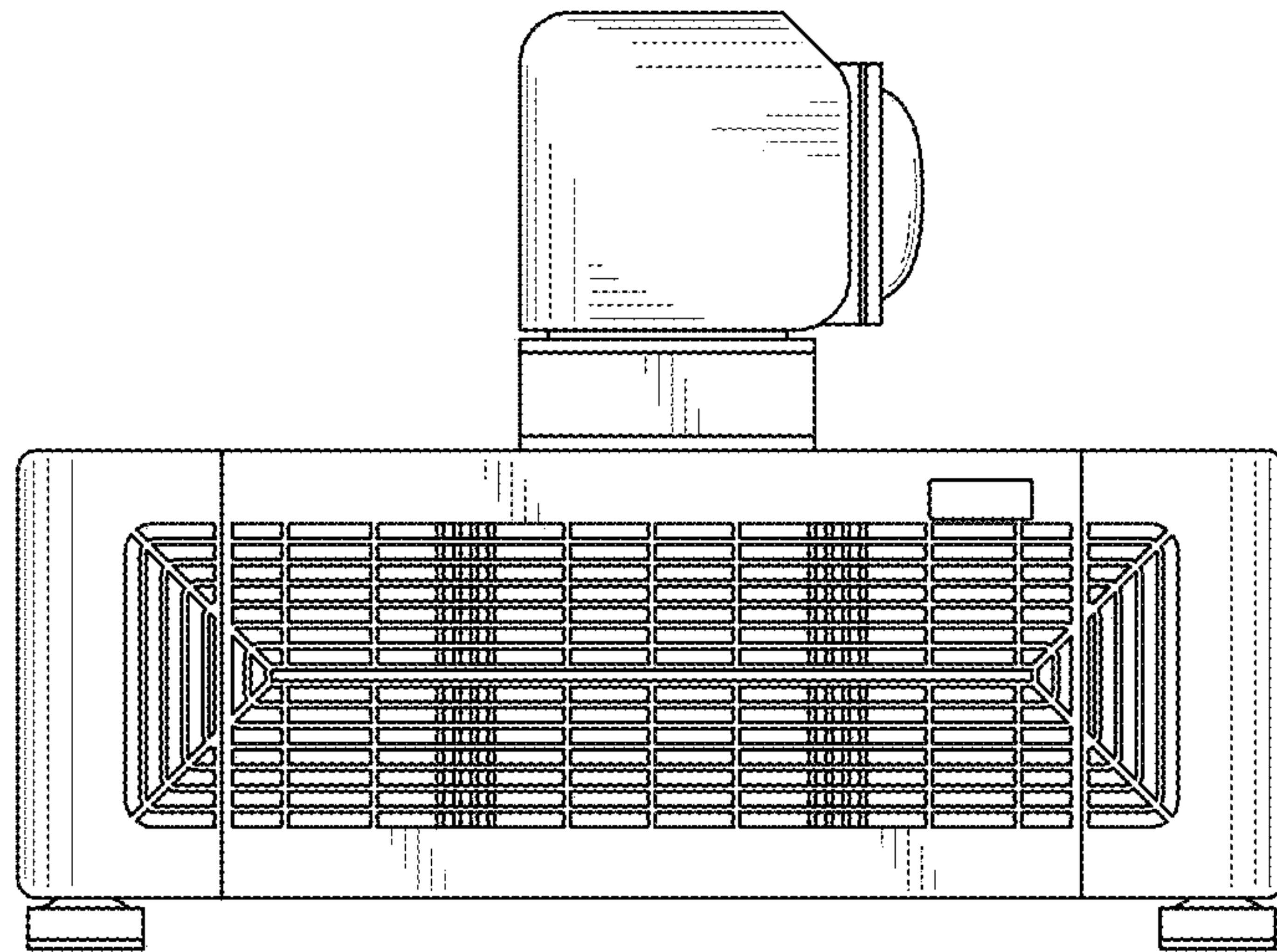


FIG. 44

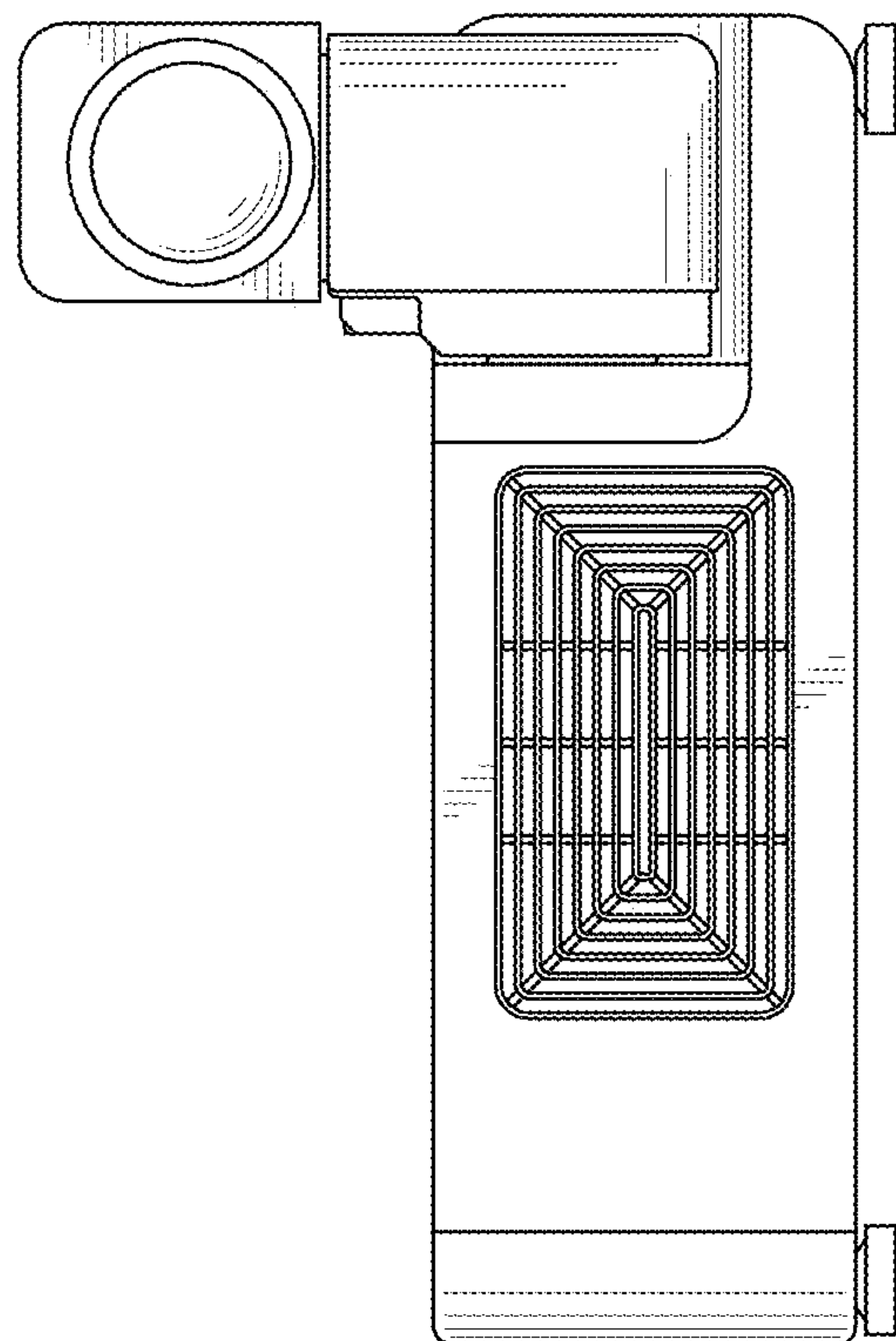


FIG. 45

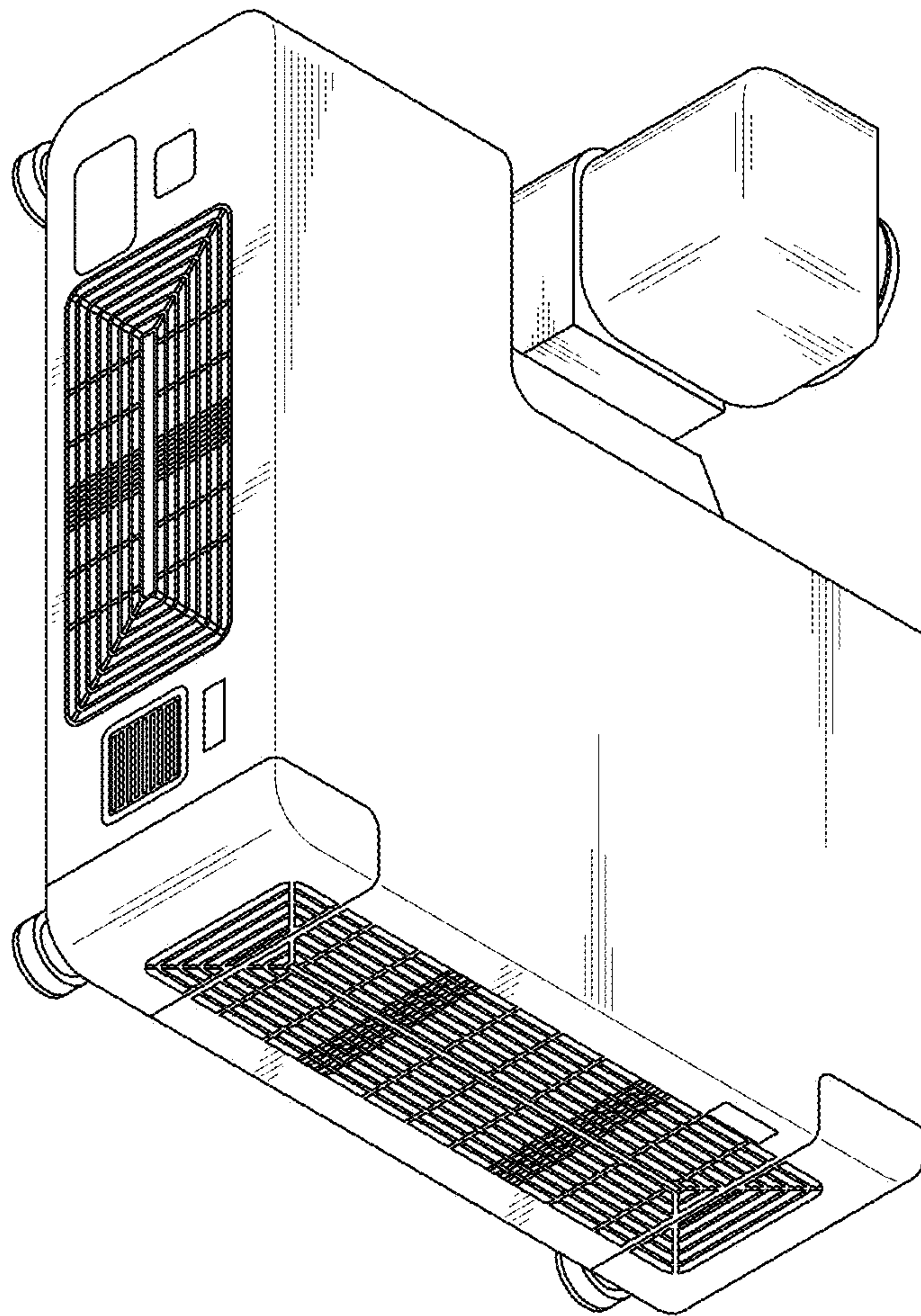


FIG. 46

