



US00D976987S

(12) **United States Design Patent**
Shinata

(10) **Patent No.:** **US D976,987 S**
(45) **Date of Patent:** **** Jan. 31, 2023**

(54) **DIGITAL CAMERA**

(71) Applicant: **Canon Kabushiki Kaisha**, Tokyo (JP)

(72) Inventor: **Satoshi Shinata**, Tokyo (JP)

(73) Assignee: **Canon Kabushiki Kaisha**, Tokyo (JP)

(**) Term: **15 Years**

(21) Appl. No.: **29/696,025**

(22) Filed: **Jun. 25, 2019**

(30) **Foreign Application Priority Data**

Dec. 26, 2018 (JP) 2018-028362

(51) **LOC (14) Cl.** **16-05**

(52) **U.S. Cl.**
USPC **D16/219**; D16/217

(58) **Field of Classification Search**
USPC D16/200, 202–206, 208, 218, 219, 242;
348/164, 347, 373–376; 396/535,
396/539–541
CPC G03B 15/03; G03B 17/02; G03B 17/04;
G03B 17/56; G03B 19/04; H04N 5/2251;
H04N 5/2252; H04N 5/2253; H04N
5/2254; H04N 2101/00; H04N 5/33;
H04N 5/332

See application file for complete search history.

(56) **References Cited**

U.S. PATENT DOCUMENTS

D594,892 S * 6/2009 Kamiya D16/217
D690,755 S * 10/2013 Nikaido D16/217
D690,756 S * 10/2013 Giugiaro D16/217
D701,550 S * 3/2014 Umehara D16/217
D720,787 S * 1/2015 Tainaka D16/217
D720,793 S * 1/2015 Tajima D16/219
D724,131 S * 3/2015 Kim D16/202

D738,418 S * 9/2015 Imai D16/217
D777,233 S * 1/2017 Sakai D16/202
D810,172 S * 2/2018 Miyashita D16/219
D810,811 S * 2/2018 Imamizu D16/209
D816,146 S * 4/2018 Nikaido D16/219
D898,804 S * 10/2020 Nikaido D16/219

OTHER PUBLICATIONS

Copending, Unpublished, U.S. Appl. No. 35/506,232 to Sadaharu Matsuo, et al., filed Jun. 19, 2018.

Copending, Unpublished, U.S. Appl. No. 29/696,024 to Satoshi Shinata, filed Jun. 25, 2019.

Copending, Unpublished, U.S. Appl. No. 29/696,014 to Satoshi Shinata, filed Jun. 25, 2019.

* cited by examiner

Primary Examiner — Ramzi Almatrahi

(74) *Attorney, Agent, or Firm* — Venable LLP

(57) **CLAIM**

The ornamental design for a digital camera, as shown and described.

DESCRIPTION

FIG. 1 is a front view of a digital camera showing my new design;

FIG. 2 is a rear view thereof;

FIG. 3 is a top plan view thereof;

FIG. 4 is a bottom plan view thereof;

FIG. 5 is a left side view thereof;

FIG. 6 is a right side view thereof; and,

FIG. 7 is a perspective view thereof.

The broken lines depict portions of the digital camera in which the design is embodied that form no part of the claimed design. Additionally, the dash-dot broken lines denote the boundary of the claim and form no part of the claimed design.

1 Claim, 7 Drawing Sheets

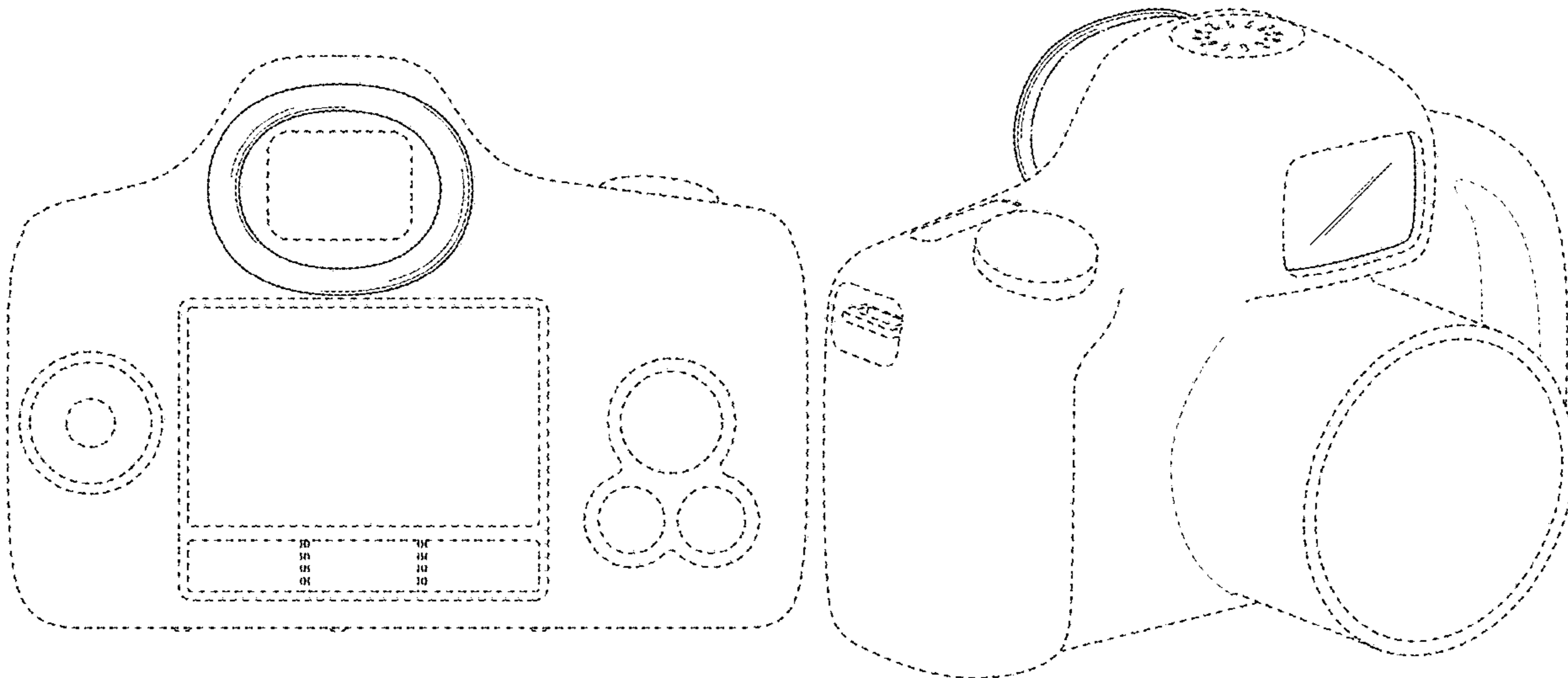


FIG. 1

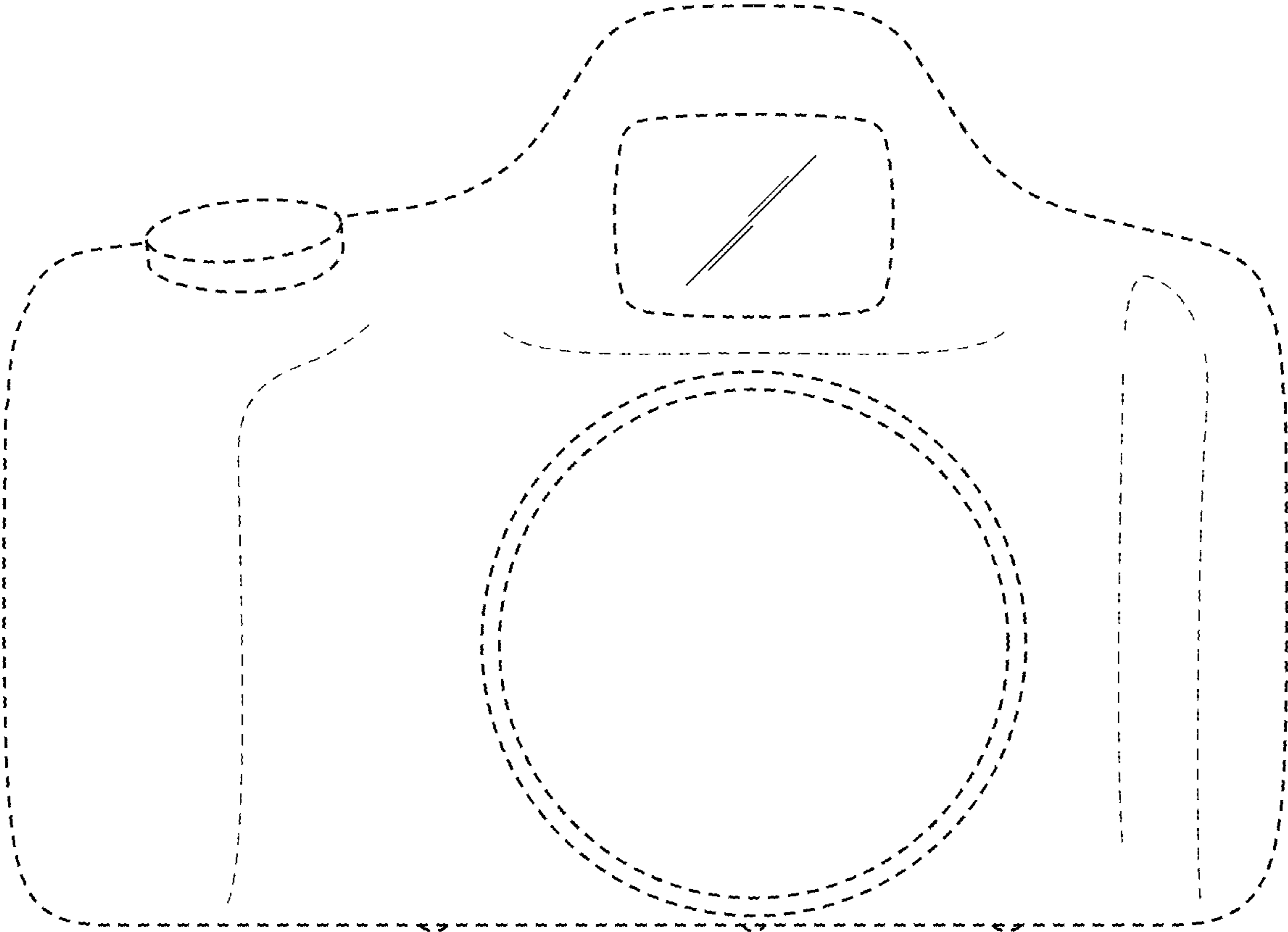


FIG. 2

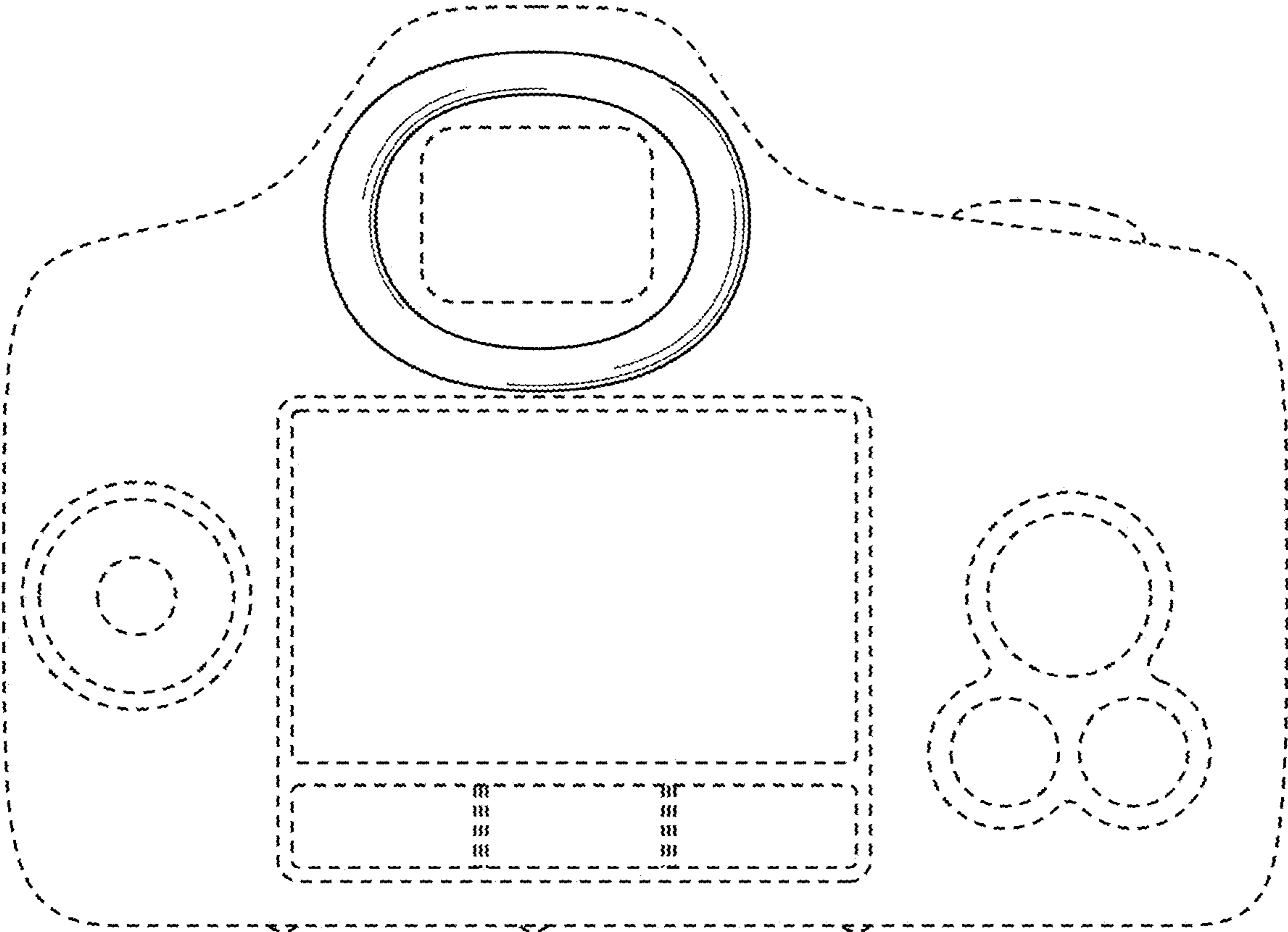


FIG. 3

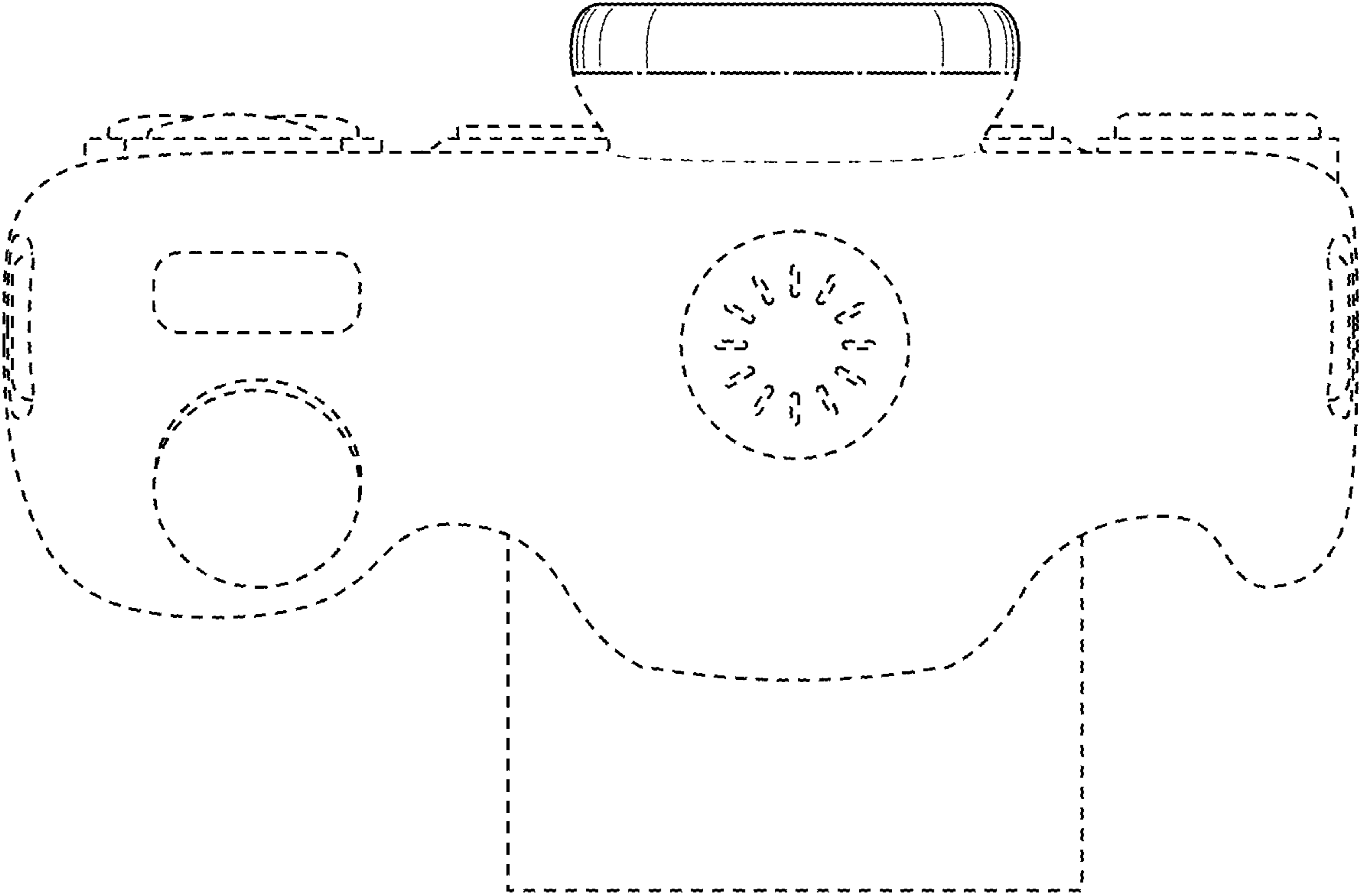


FIG. 4

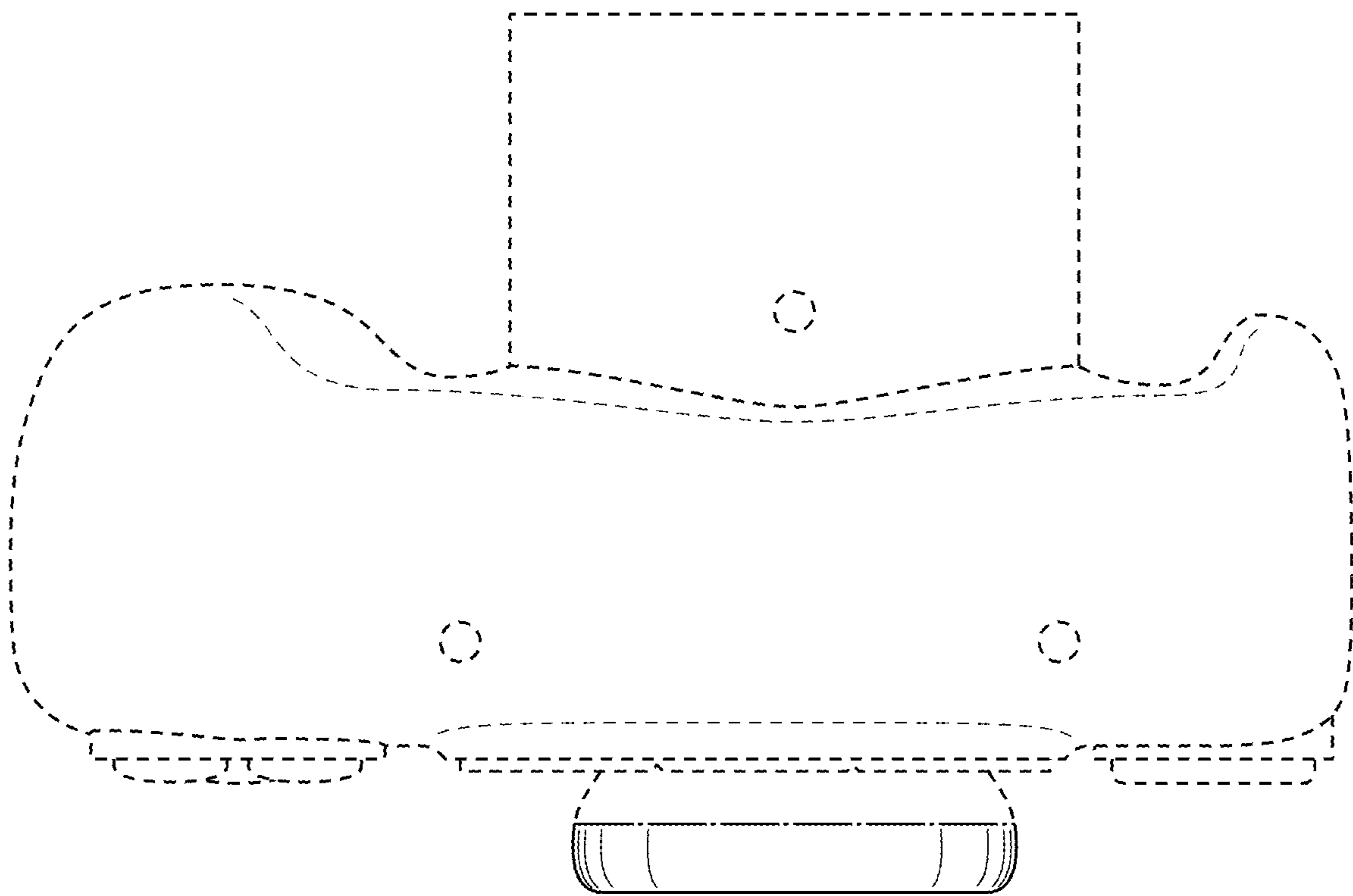


FIG. 5

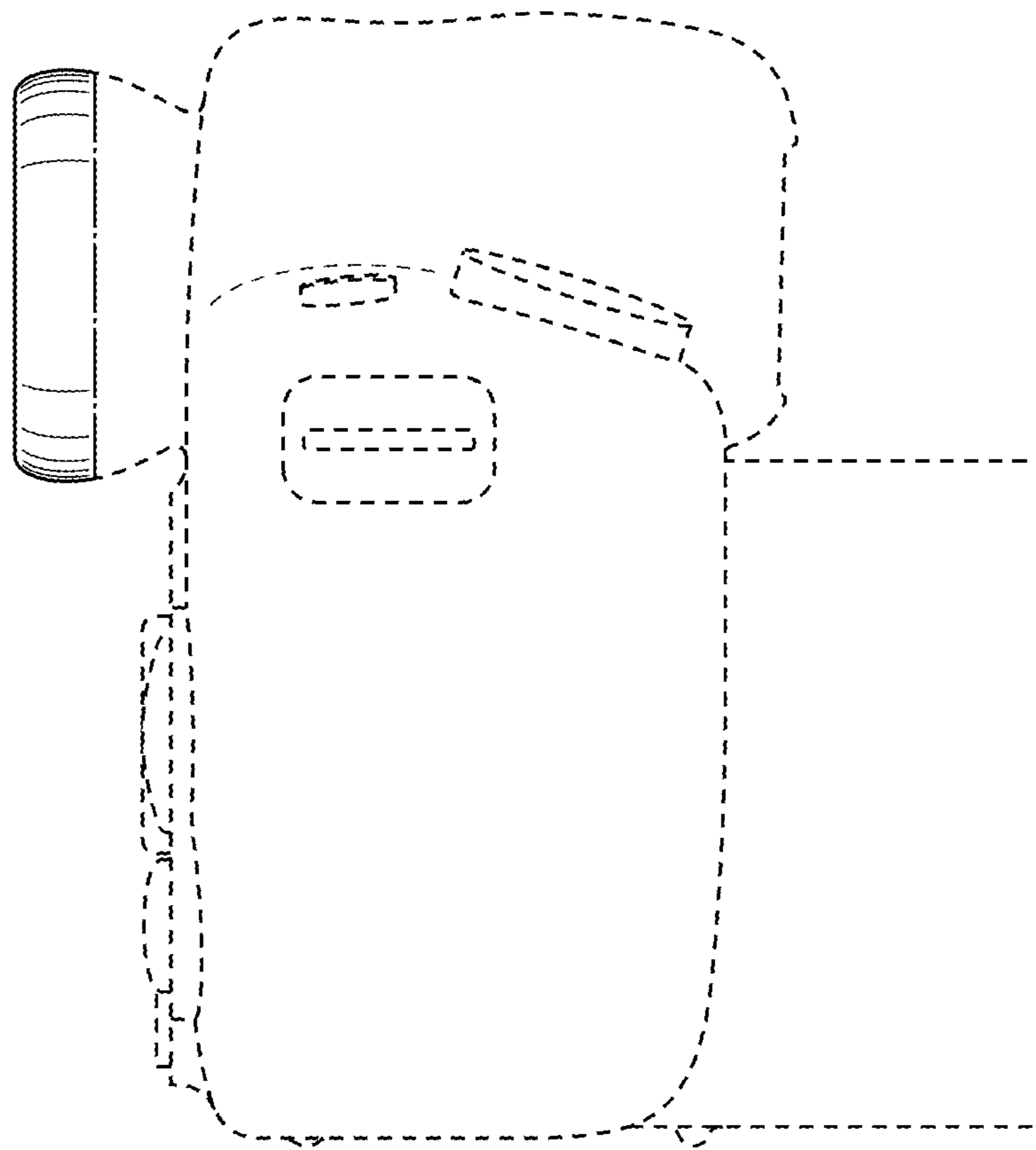


FIG. 6

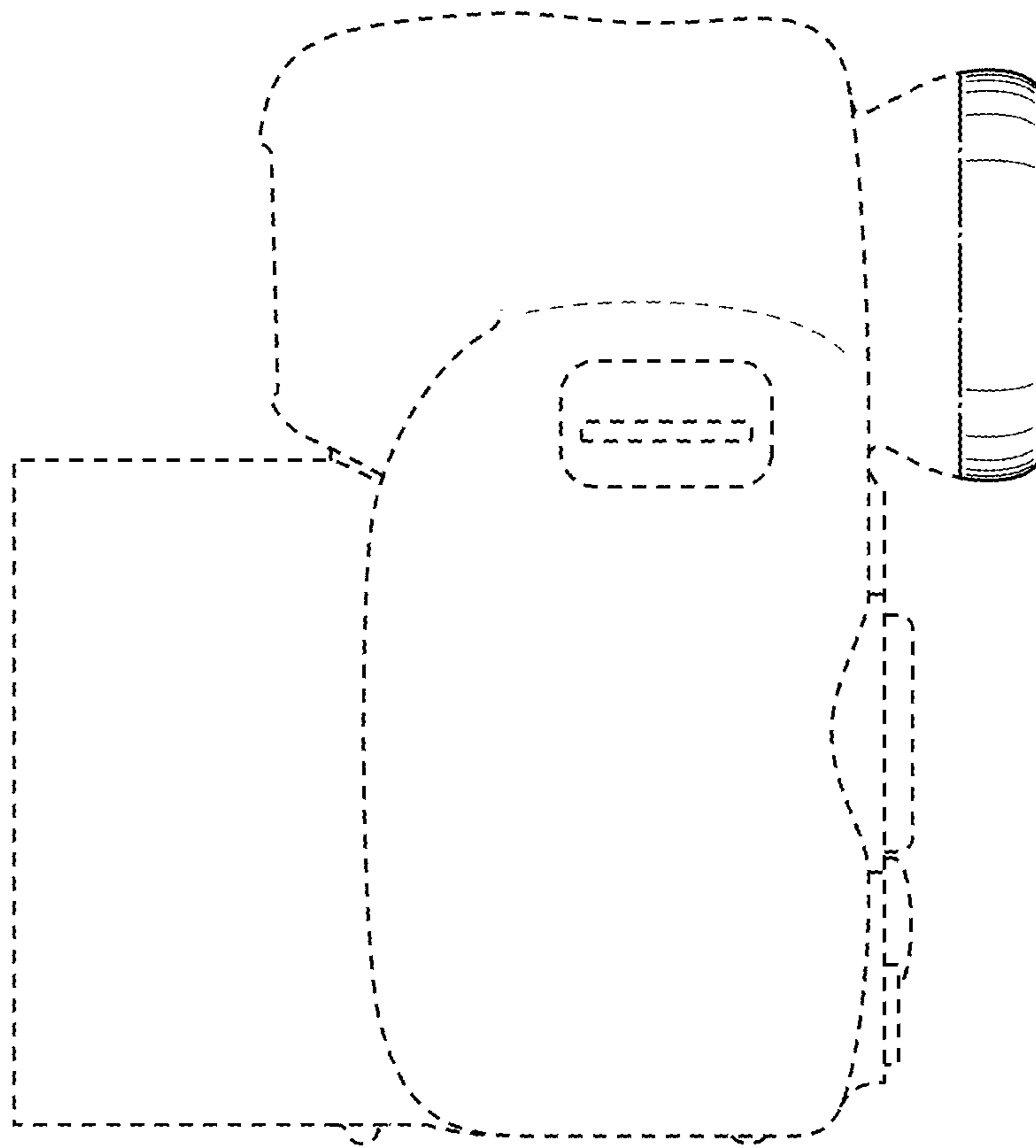


FIG. 7

