



US00D976985S

(12) **United States Design Patent**  
**Shinata**

(10) **Patent No.:** **US D976,985 S**  
(45) **Date of Patent:** **\*\* Jan. 31, 2023**

(54) **DIGITAL CAMERA**  
(71) Applicant: **Canon Kabushiki Kaisha**, Tokyo (JP)  
(72) Inventor: **Satoshi Shinata**, Tokyo (JP)  
(73) Assignee: **Canon Kabushiki Kaisha**, Tokyo (JP)  
(\*\*) Term: **15 Years**

(21) Appl. No.: **29/696,024**  
(22) Filed: **Jun. 25, 2019**

(30) **Foreign Application Priority Data**

Dec. 26, 2018 (JP) ..... 2018-028361

(51) **LOC (14) Cl.** ..... **16-01**

(52) **U.S. Cl.**  
USPC ..... **D16/217**; D16/202

(58) **Field of Classification Search**  
USPC ..... D16/200, 202–206, 208, 218, 219, 242;  
348/164, 347, 373–376; 396/535,  
396/539–541  
CPC ..... G03B 15/03; G03B 17/02; G03B 17/04;  
G03B 17/56; G03B 19/04; H04N 5/2251;  
H04N 5/2252; H04N 5/2253; H04N  
5/2254; H04N 2101/00; H04N 5/33;  
H04N 5/332

See application file for complete search history.

(56) **References Cited**

**U.S. PATENT DOCUMENTS**

D594,892 S \* 6/2009 Kamiya ..... D16/217  
D690,755 S \* 10/2013 Nikaido ..... D16/217  
D690,756 S \* 10/2013 Giugiaro ..... D16/217  
D701,550 S \* 3/2014 Umehara ..... D16/217  
D720,787 S \* 1/2015 Tainaka ..... D16/217  
D724,130 S \* 3/2015 Ham ..... D16/202  
D724,131 S \* 3/2015 Kim ..... D16/202

D738,418 S \* 9/2015 Imai ..... D16/217  
D743,470 S \* 11/2015 Baba ..... D16/219  
D749,658 S \* 2/2016 Watanabe ..... D16/217  
D777,233 S \* 1/2017 Sakai ..... D16/202  
D795,939 S \* 8/2017 Hoshi ..... D16/202  
D807,940 S \* 1/2018 Tsukamoto ..... D16/202

**OTHER PUBLICATIONS**

Copending, Unpublished U.S. Appl. No. 35/506,232, to Sadaharu Matsuo et al., filed Jun. 19, 2018.

Copending, Unpublished U.S. Appl. No. 29/696,025, to Satoshi Shinata, filed Jun. 25, 2019.

Copending, Unpublished U.S. Appl. No. 29/696,014, to Satoshi Shinata, filed Jun. 25, 2019.

\* cited by examiner

*Primary Examiner* — Ramzi Almatrahi

(74) *Attorney, Agent, or Firm* — Venable LLP

(57) **CLAIM**

The ornamental design for a digital camera, as shown and described.

**DESCRIPTION**

FIG. 1 is a front view of a digital camera showing my new design;

FIG. 2 is a rear view thereof;

FIG. 3 is a top plan view thereof;

FIG. 4 is a bottom plan view thereof;

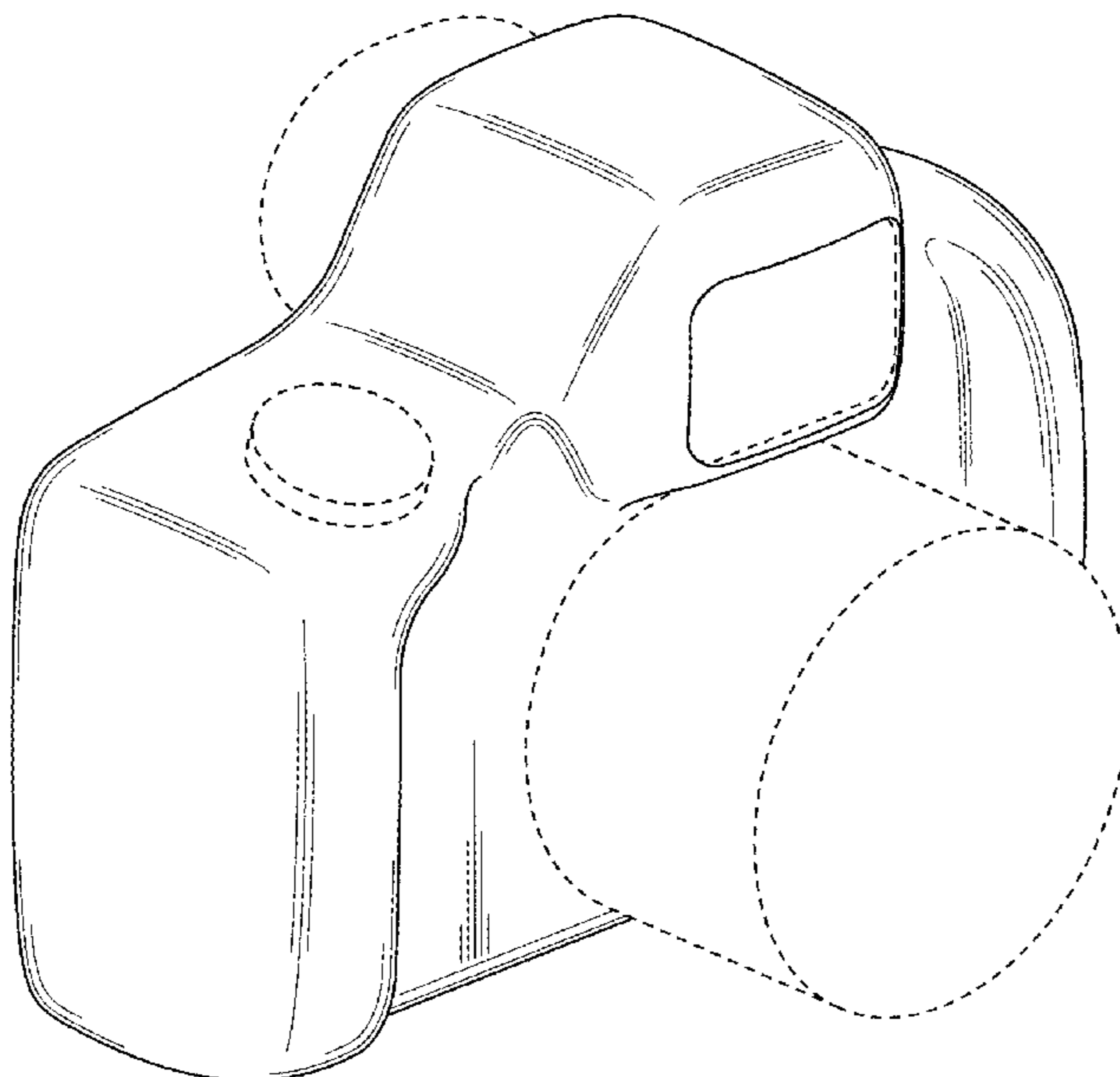
FIG. 5 is a left side view thereof;

FIG. 6 is a right side view thereof; and,

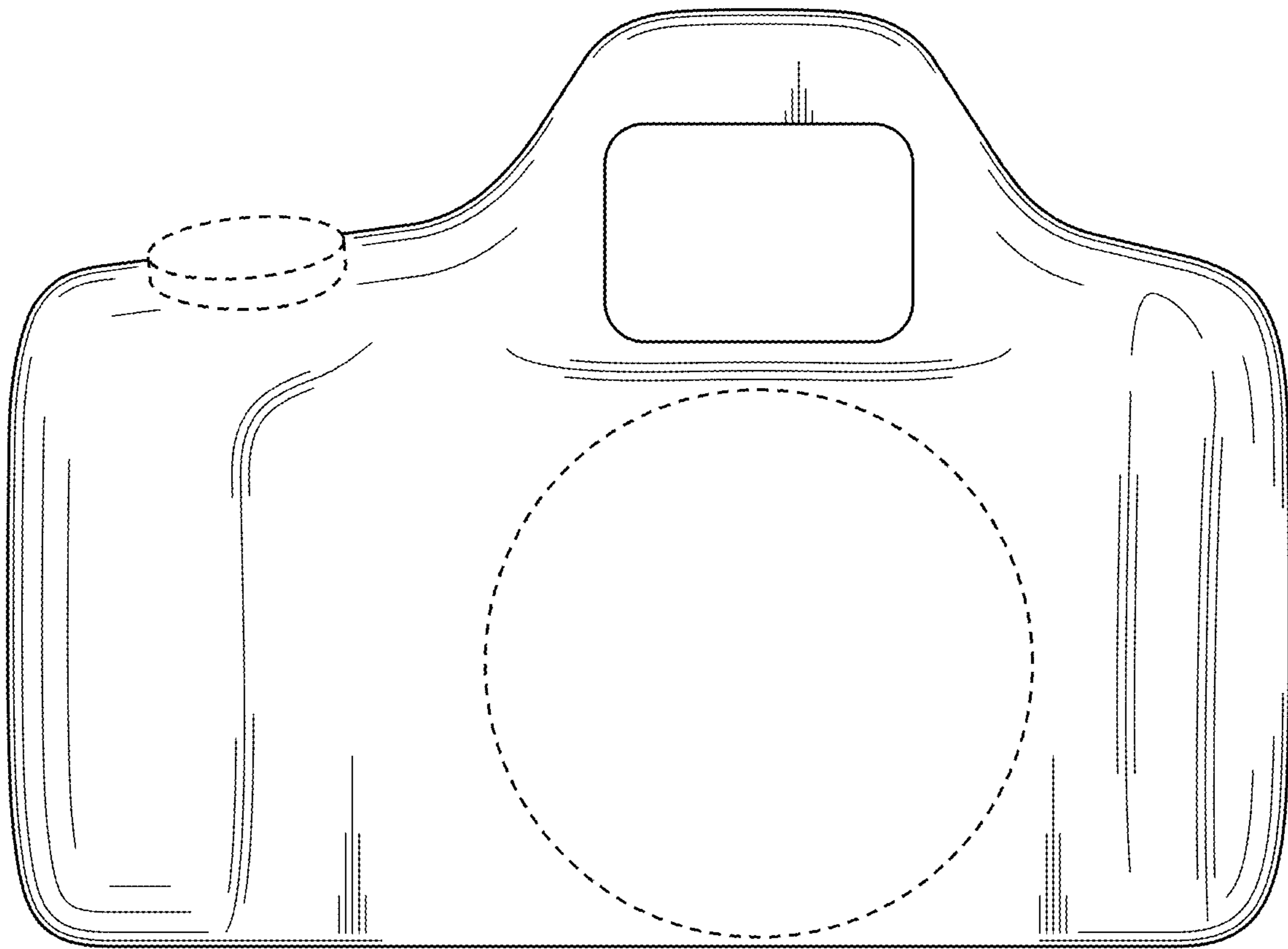
FIG. 7 is a perspective view thereof.

The broken lines depict portions of the digital camera in which the design is embodied that form no part of the claimed design. Additionally, the dash-dot broken lines denote the boundary of the claim and form no part of the claimed design.

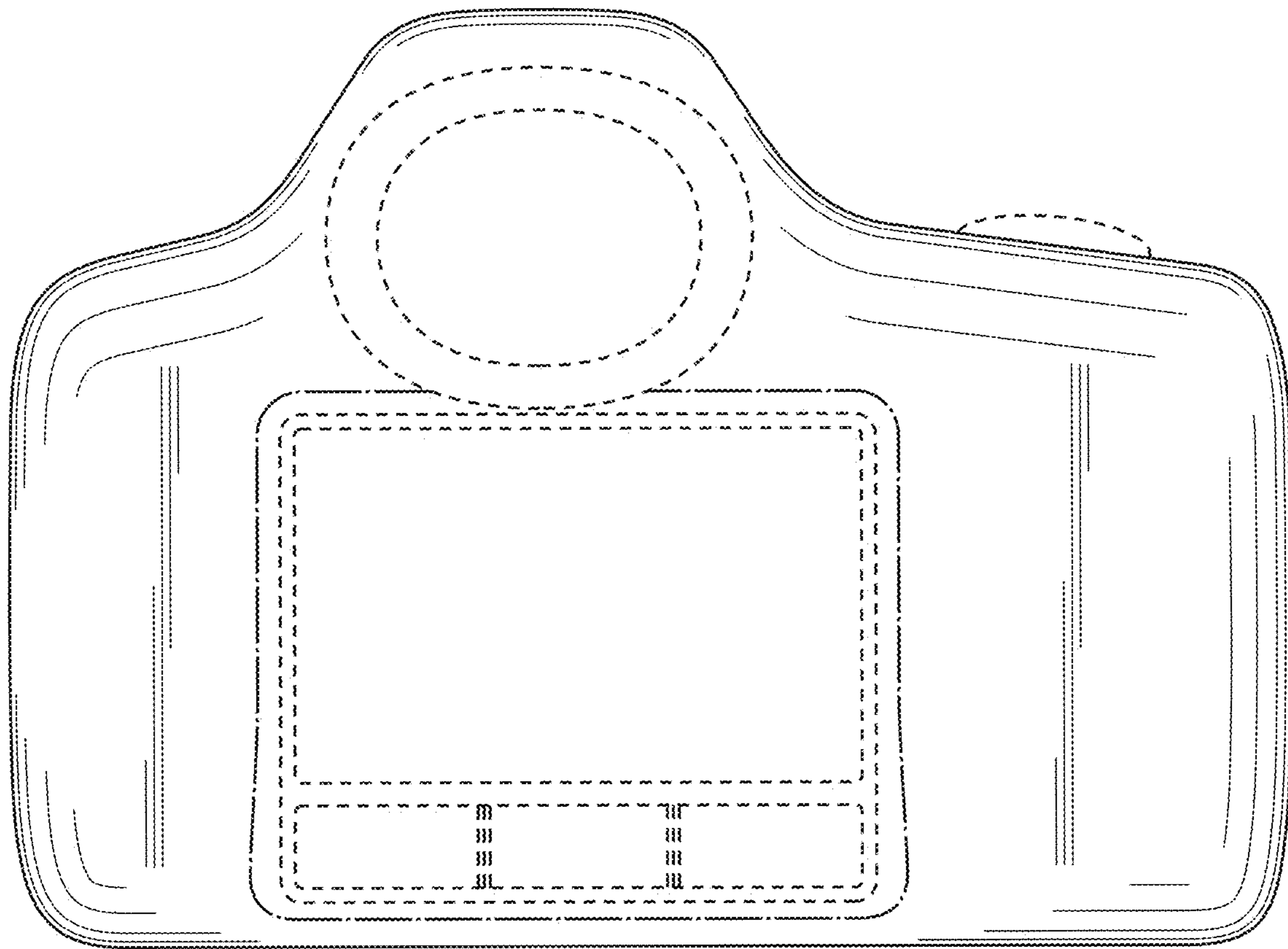
**1 Claim, 7 Drawing Sheets**



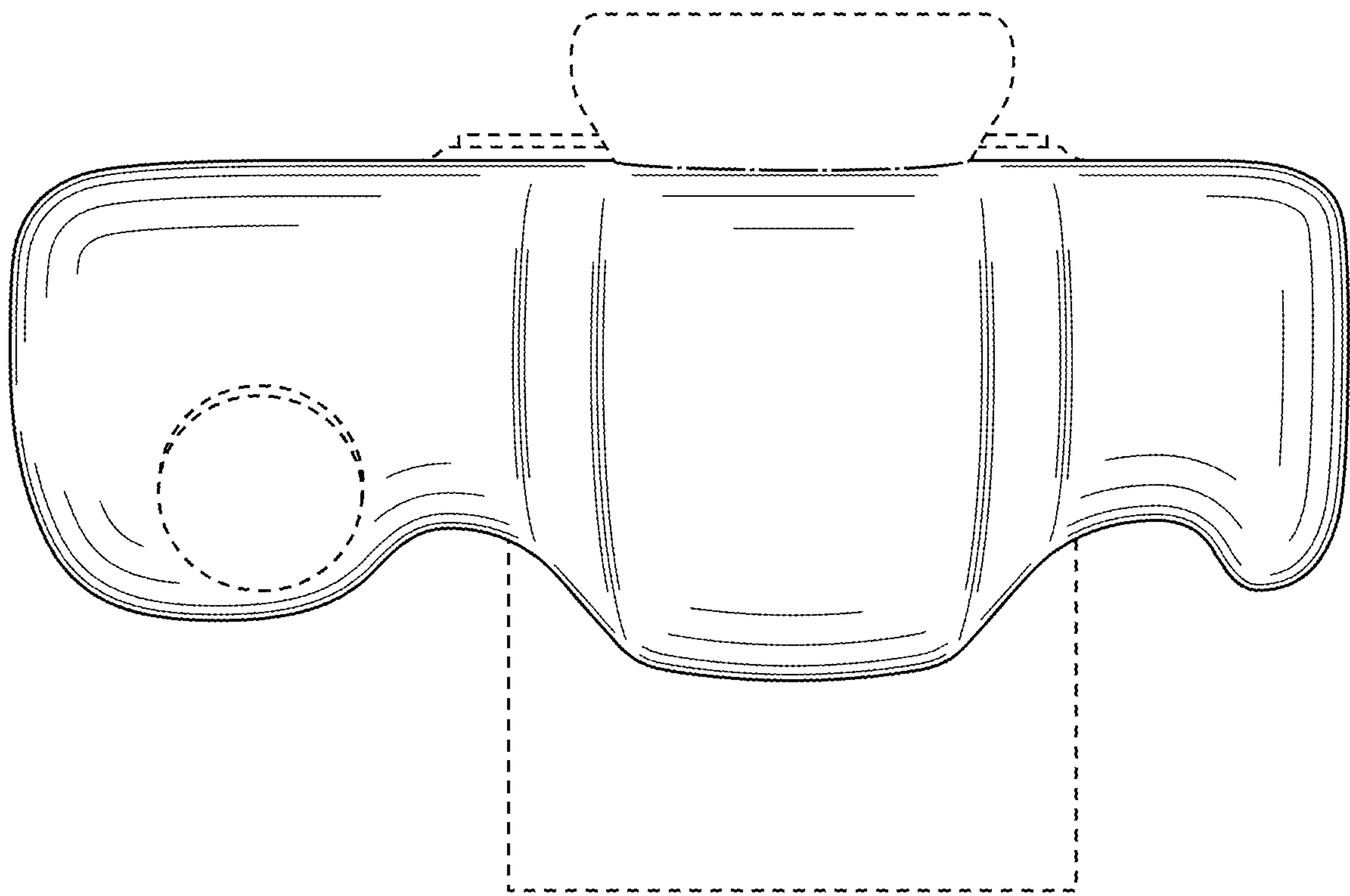
**FIG. 1**



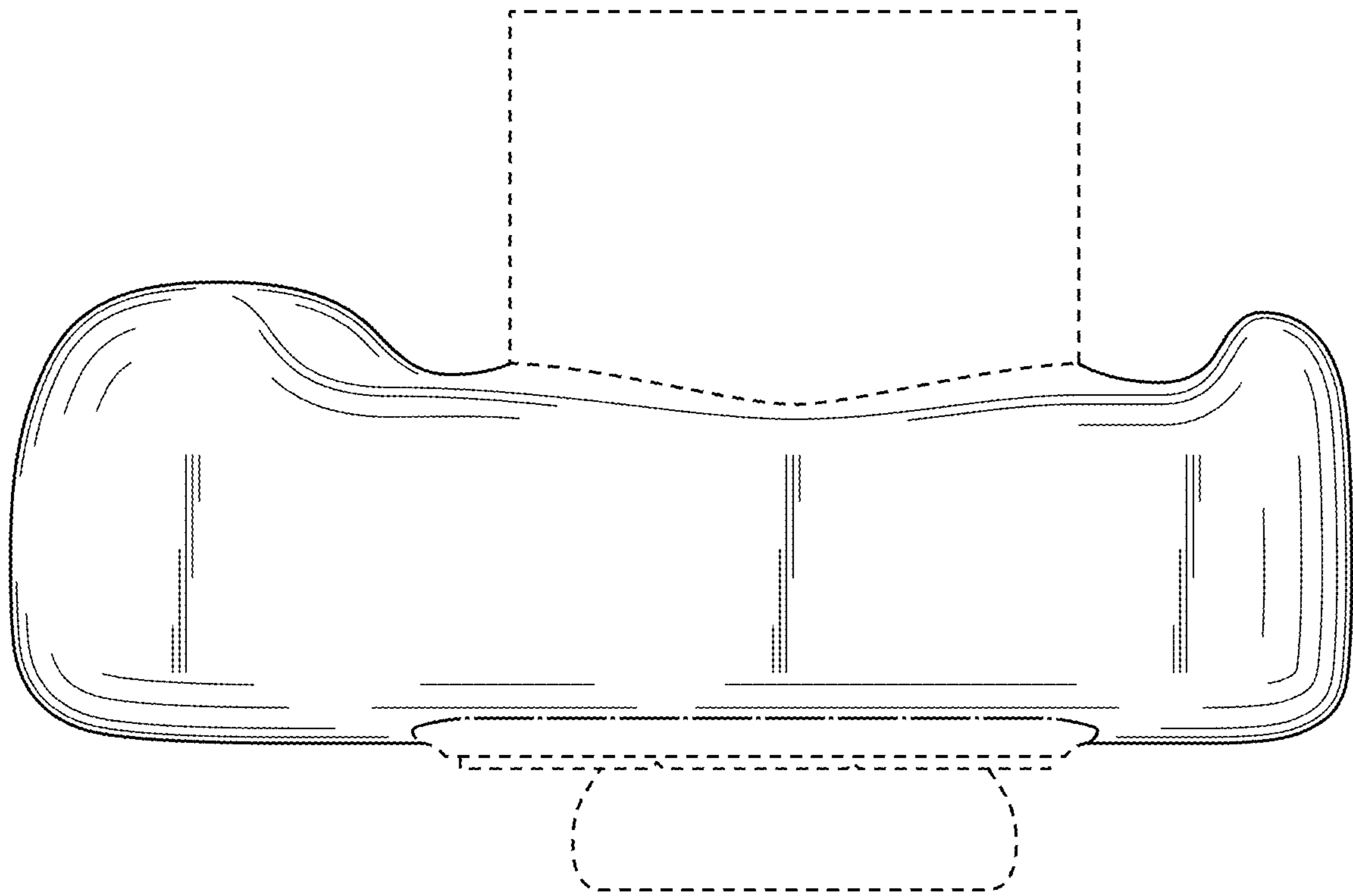
**FIG. 2**



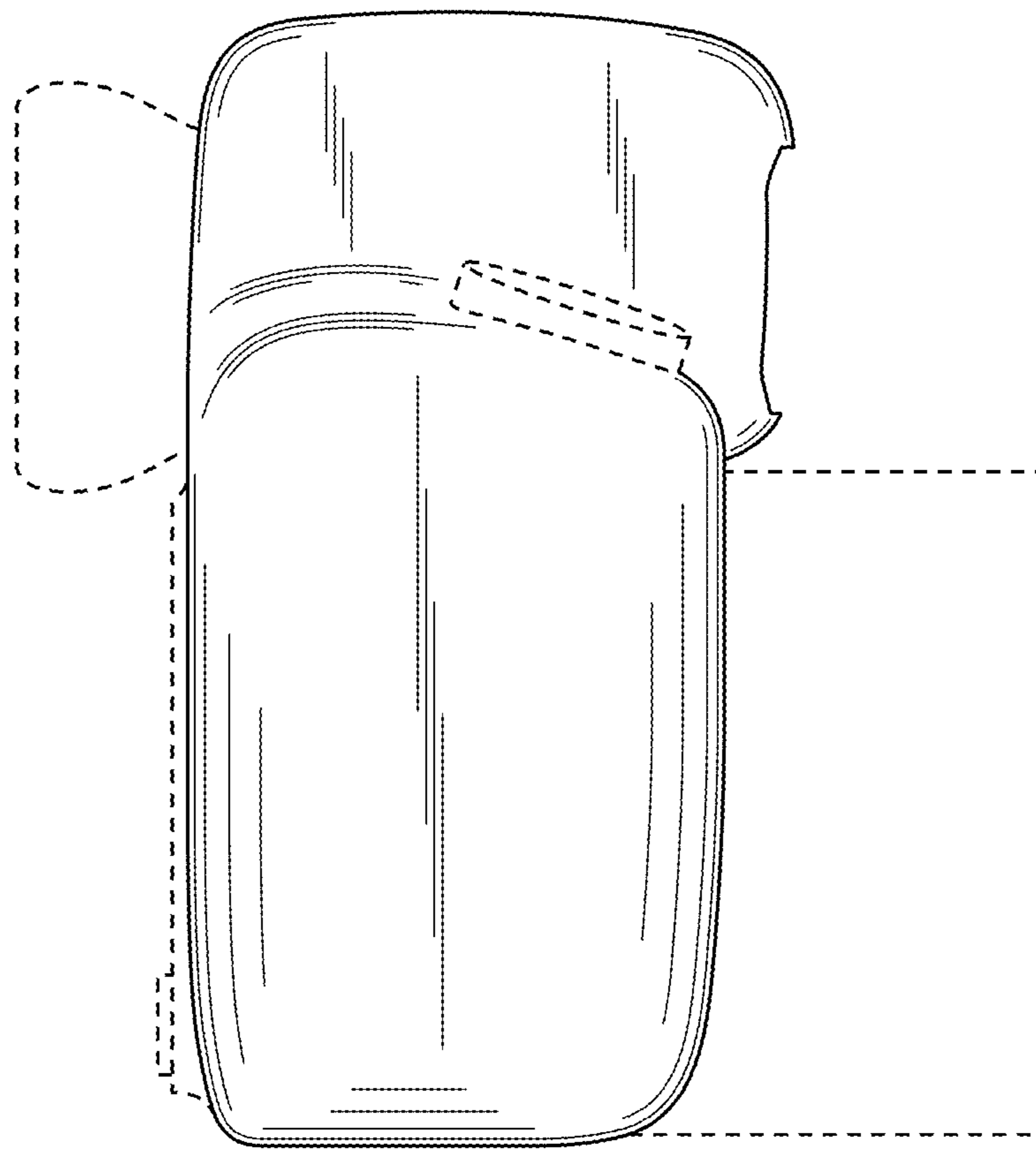
**FIG. 3**



**FIG. 4**

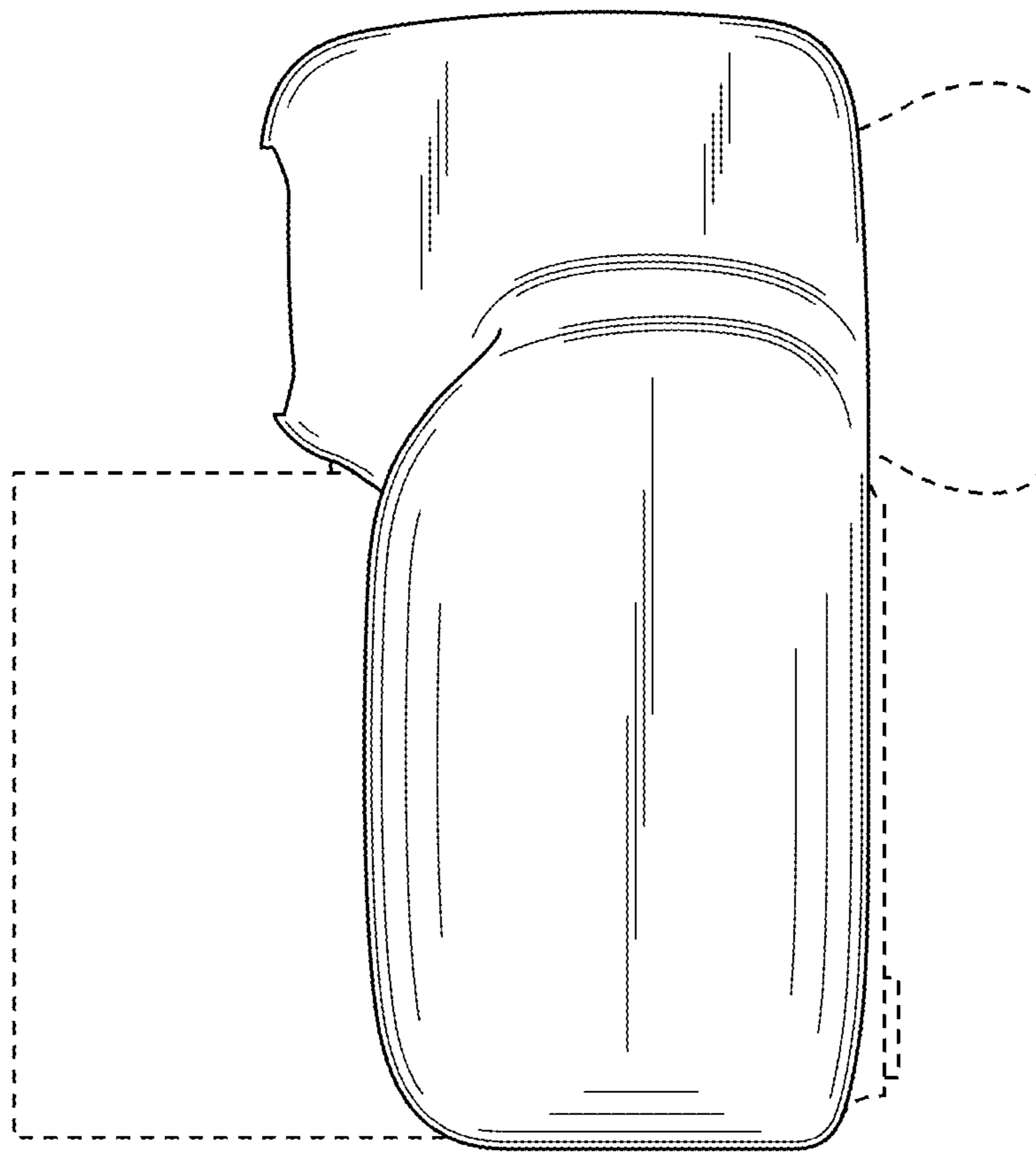


**FIG. 5**





**FIG. 6**



**FIG. 7**

