

US00D976984S

(12) **United States Design Patent**
McManigal et al.

(10) **Patent No.:** **US D976,984 S**
(45) **Date of Patent:** **** Jan. 31, 2023**

(54) **CAMERA**

(71) Applicant: **Arlo Technologies, Inc.**, Carlsbad, CA
(US)

(72) Inventors: **Scott McManigal**, Newport Beach, CA
(US); **Soo Youn Park**, Lake Forest, CA
(US); **Tommy Ahn**, Northbrook, IL
(US); **Christopher Fonzo**, Carlsbad,
CA (US)

(73) Assignee: **Arlo Technologies, Inc.**, Carlsbad, CA
(US)

(**) Term: **15 Years**

(21) Appl. No.: **29/794,595**

(22) Filed: **Jun. 14, 2021**

(51) **LOC (14) Cl.** **16-01**

(52) **U.S. Cl.**
USPC **D16/203**

(58) **Field of Classification Search**
USPC D16/200, 202–204, 208, 211, 214, 218,
D16/219, 243; D10/57, 70
CPC G03B 17/00; G03B 17/02; G03B 2217/00;
H04N 5/225

See application file for complete search history.

(56) **References Cited**

U.S. PATENT DOCUMENTS

D776,183 S *	1/2017	Miyazaki	D16/219
D785,067 S	4/2017	Ramones et al.		
D813,925 S *	3/2018	Park	D16/203
D825,639 S *	8/2018	Kan	D16/203
D863,398 S *	10/2019	Huang	D16/203
D869,540 S *	12/2019	Huang	D16/202
D886,177 S	6/2020	Ramones et al.		
D886,882 S	6/2020	Ramones et al.		
D912,122 S	3/2021	McManigal et al.		
D935,507 S *	11/2021	Li	D16/203
D940,226 S *	1/2022	Wang	D16/203
D947,271 S *	3/2022	Chen	D16/218

D954,124 S *	6/2022	Long	D16/200
D960,954 S *	8/2022	Liu	D16/203
2017/0085757 A1 *	3/2017	Ramones	H04N 5/2254
2020/0201144 A1 *	6/2020	Ramones	H04N 5/2252

FOREIGN PATENT DOCUMENTS

EM	008025571-0001	*	10/2020
GB	9008025571-0001	*	6/2020

OTHER PUBLICATIONS

“Arlo Go 2,” Nov. 4, 2021, retrieved on Sep. 12, 2022 from <https://www.prnewswire.com/news-releases/arlo-go-2-4tewi-fi-security-camera-delivers-smarter-security-for-remote-or-hard-to-access-locations-now-available-exclusively-through-verizon-301416427.html> (Year: 2021).*

* cited by examiner

Primary Examiner — Maria J. Edwards

Assistant Examiner — Dina Michelle Hoeynck

(74) *Attorney, Agent, or Firm* — Boyle Fredrickson S.C.

(57) **CLAIM**

The ornamental design for a camera, as shown and described.

DESCRIPTION

FIG. 1 is a top, front, right side perspective view of a camera showing our new design;

FIG. 2 is a front elevation view thereof;

FIG. 3 is a rear elevation view thereof;

FIG. 4 is a right-side elevation view thereof;

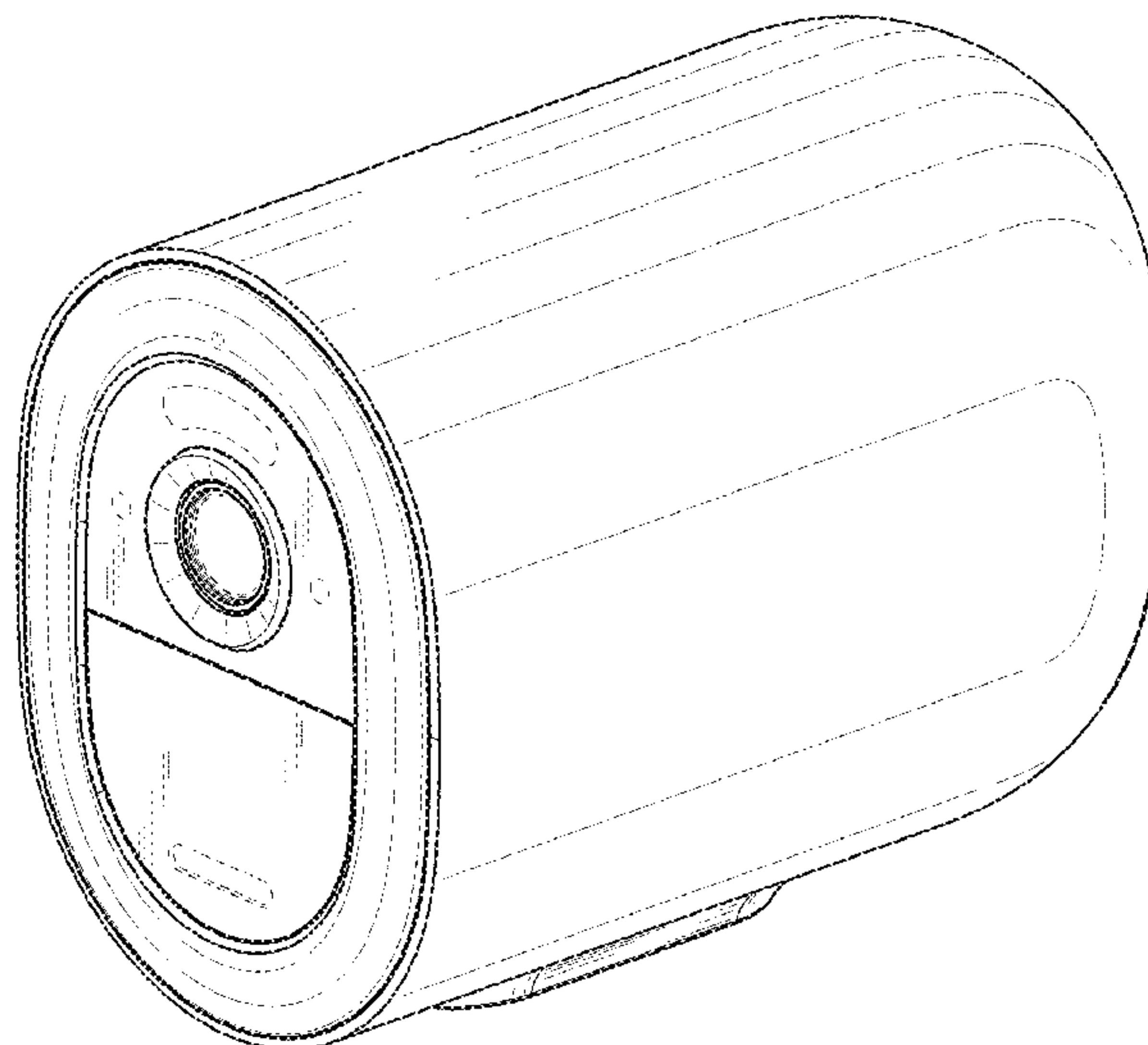
FIG. 5 is a left-side elevation view thereof;

FIG. 6 is a top plan view thereof; and,

FIG. 7 is a bottom plan view thereof.

The dashed broken lines in the drawings represent unclaimed portions of the design, and the dash-dot broken lines represent boundaries of the claimed design. All of the broken lines form no part of the claimed design.

1 Claim, 7 Drawing Sheets



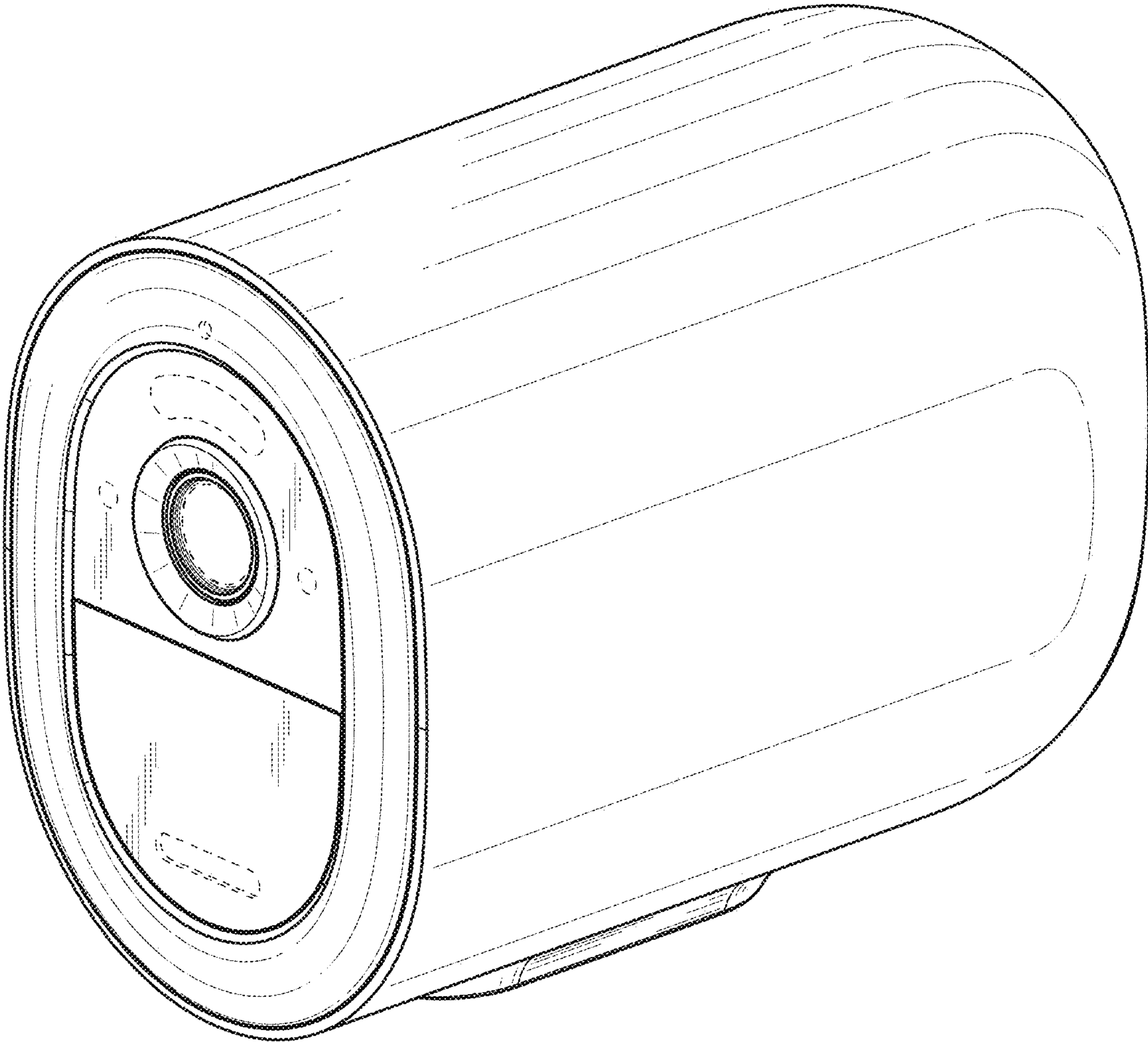


FIG.1

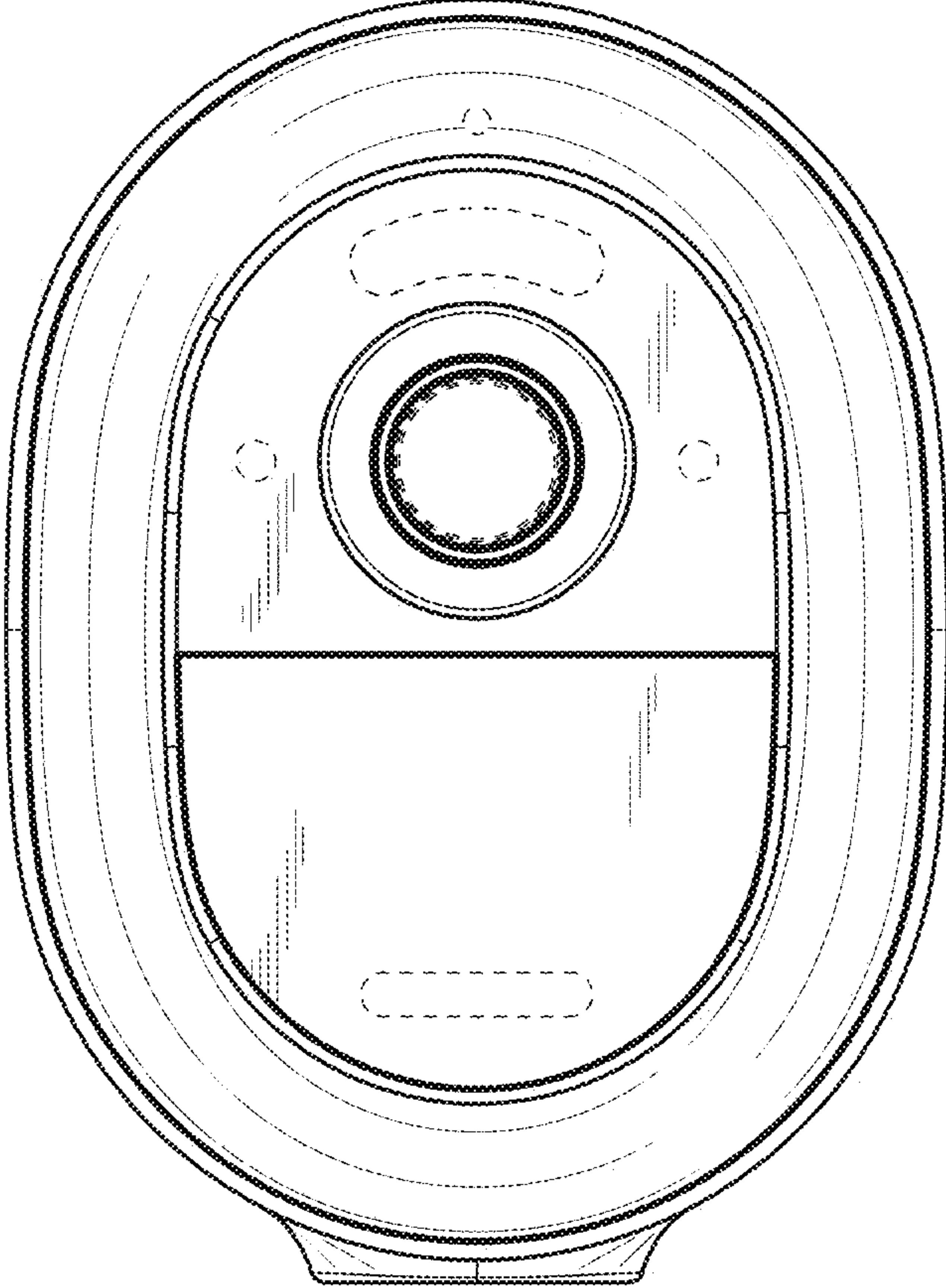


FIG.2

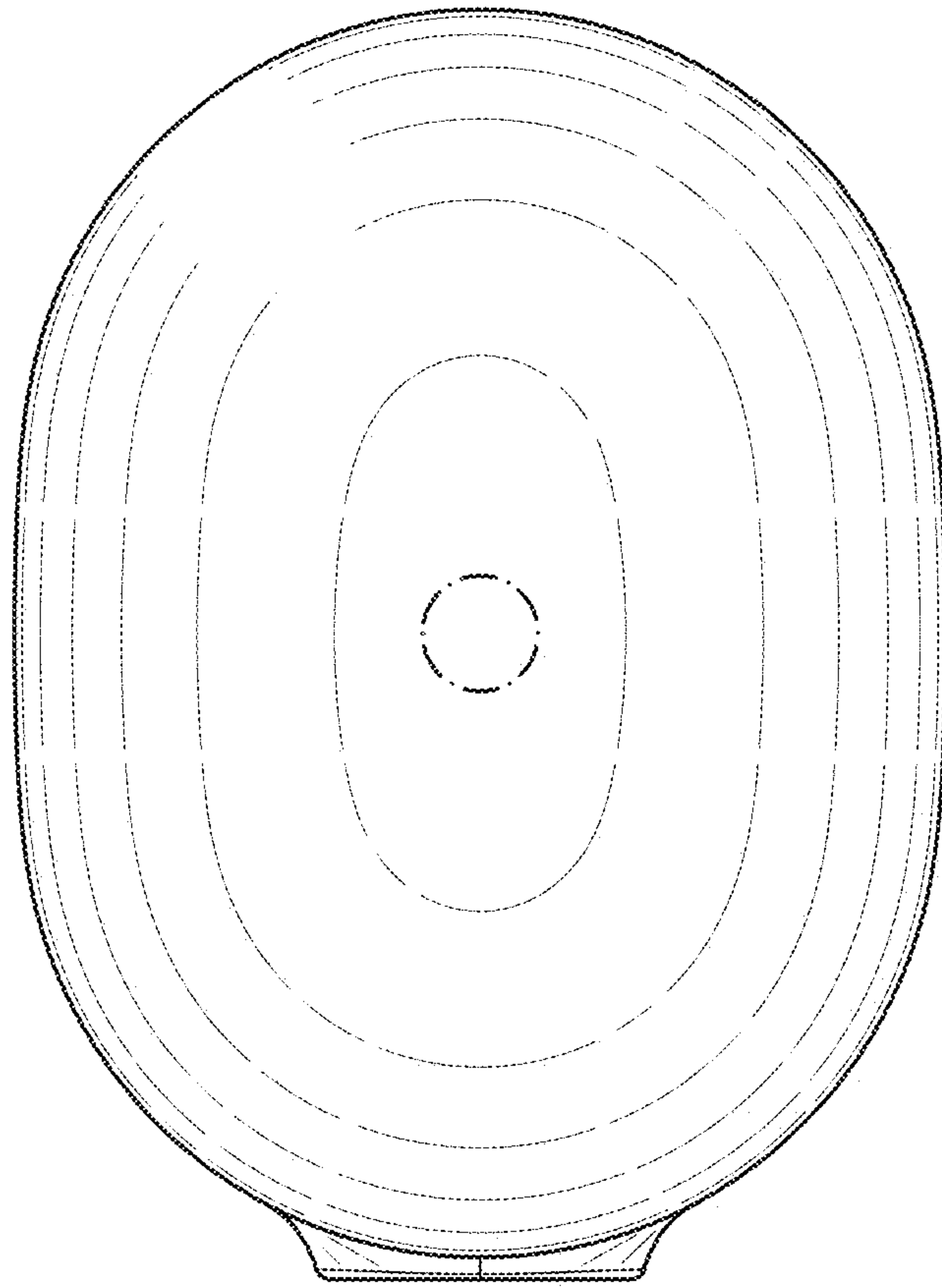


FIG.3

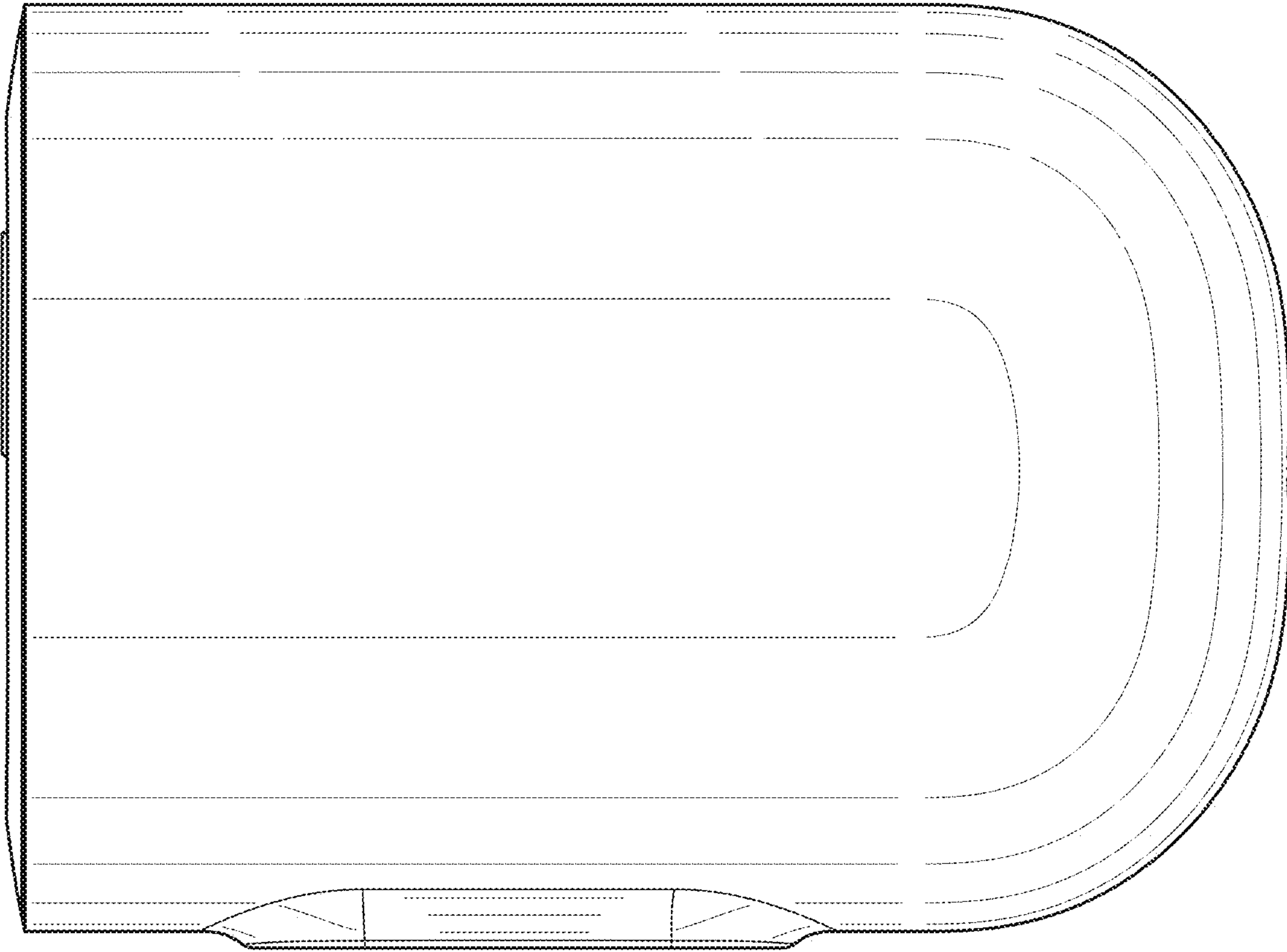


FIG.4

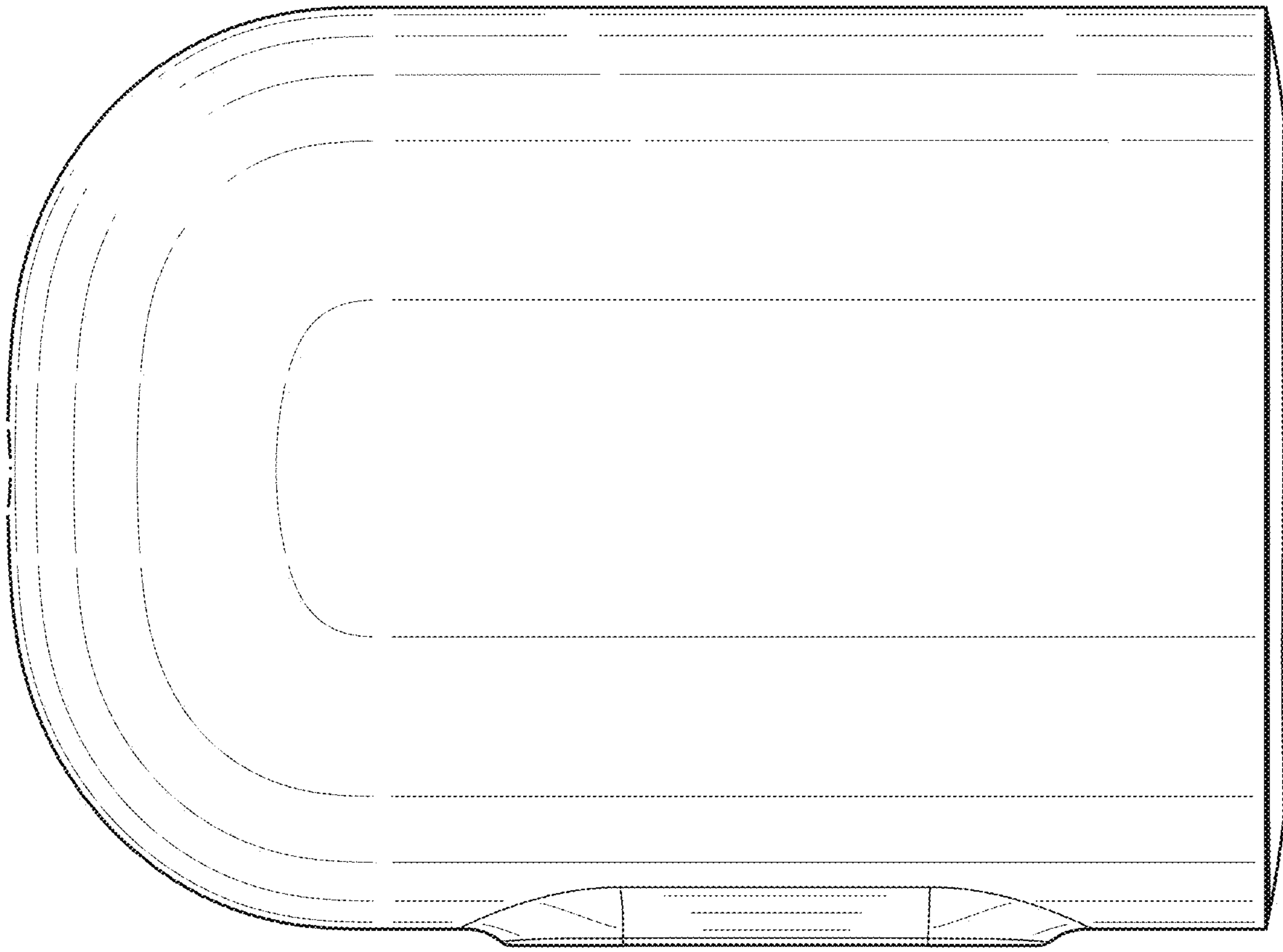


FIG.5

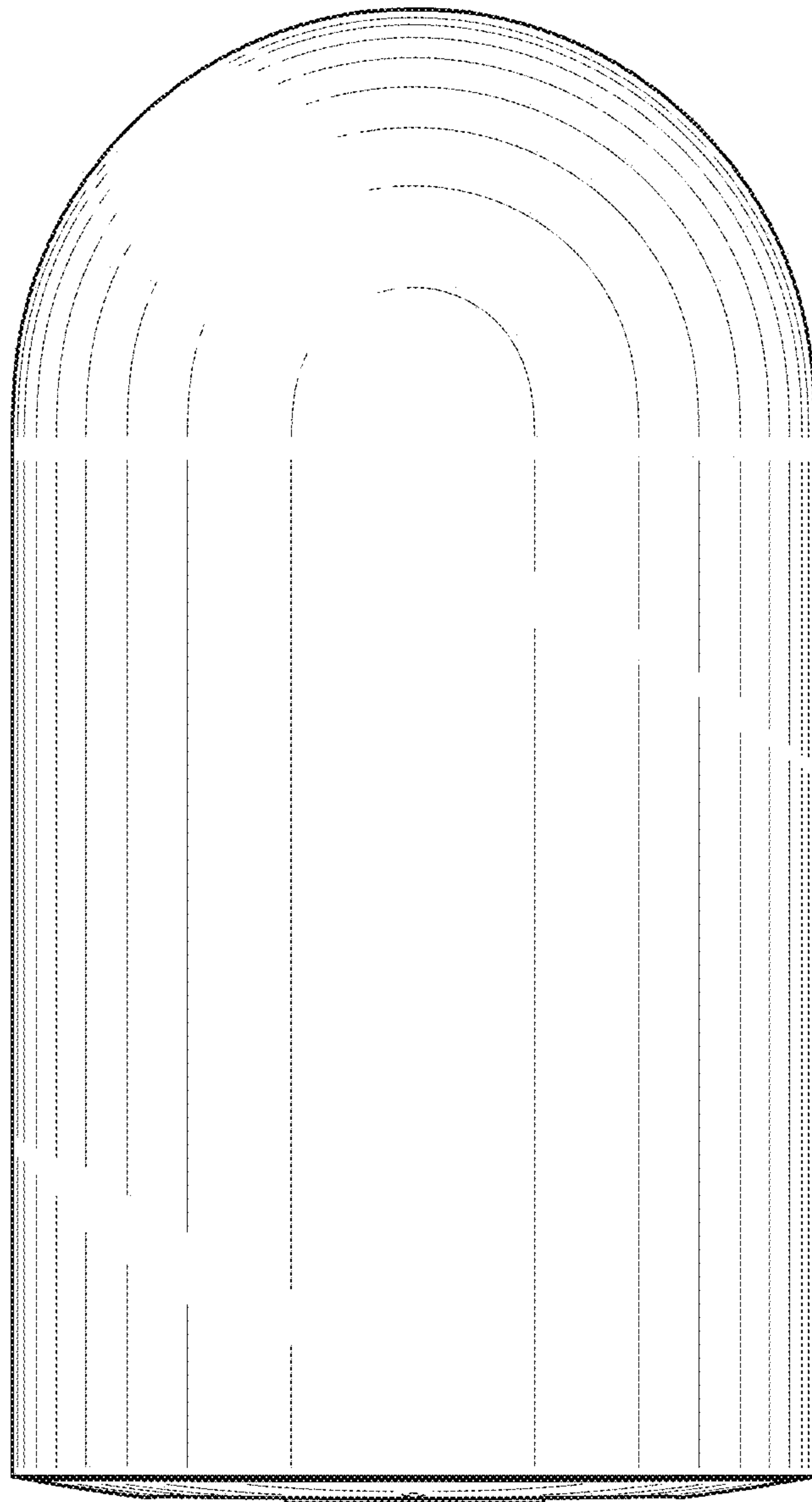


FIG.6

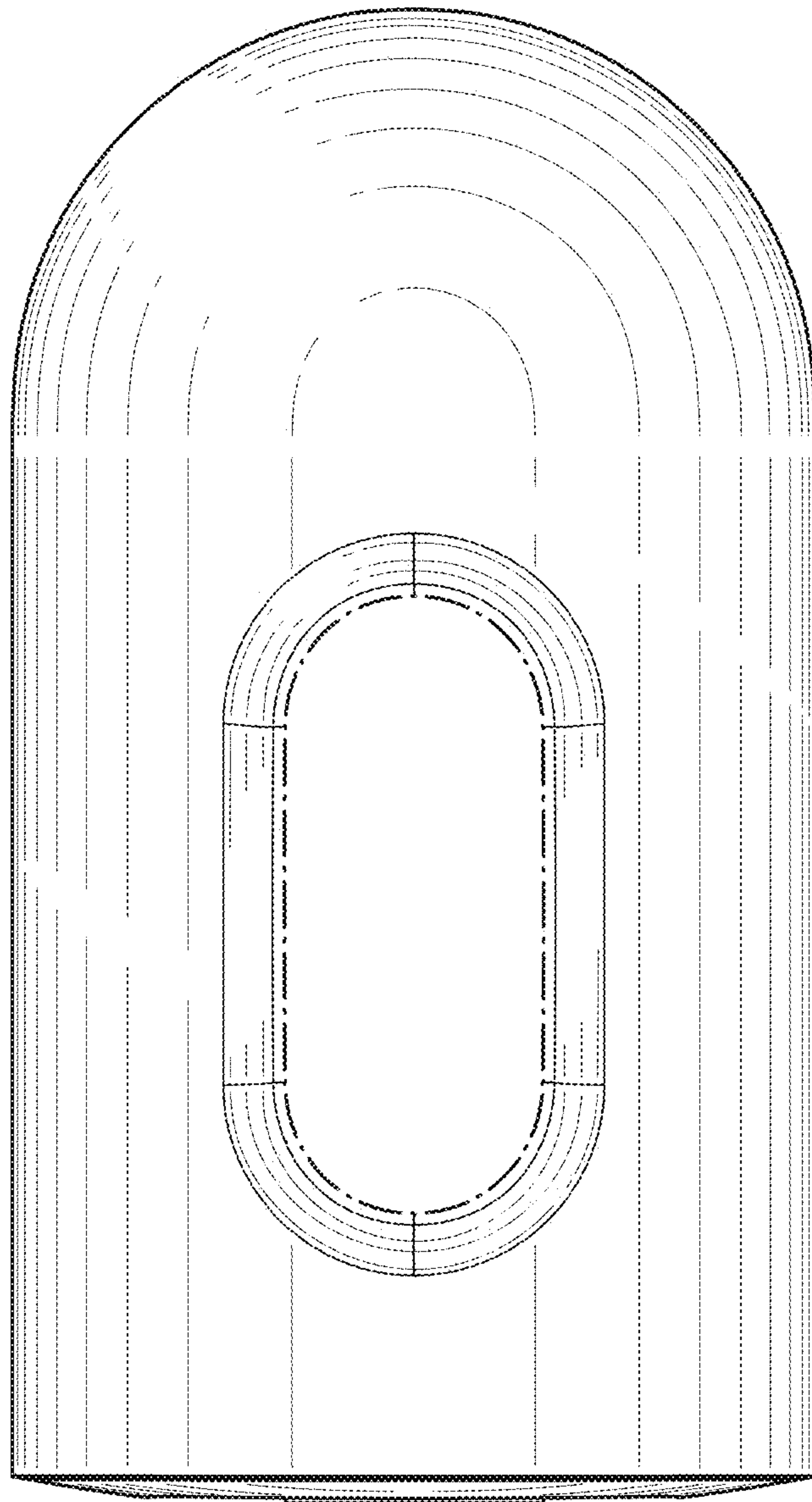


FIG.7