



US00D976983S

(12) **United States Design Patent**  
**Znamensky et al.**

(10) **Patent No.:** **US D976,983 S**  
(45) **Date of Patent:** **\*\* Jan. 31, 2023**

(54) **CAMERA DEVICE**

- (71) Applicant: **YANDEX.TAXI LLC**, Moscow (RU)
- (72) Inventors: **Igor Yurievich Znamensky**, Drozhzhino (RU); **Nikolay Sergeevich Buldakov**, Moscow (RU); **Viktor Vladimirovich Karpov**, Moscow (RU); **Mariya Igorevna Brish**, Moscow (RU); **Andrew Franklin Hartman**, Eindhoven (NL)
- (73) Assignee: **Yandex.Taxi LLC**, Moscow (RU)
- (\*\*) Term: **15 Years**

(21) Appl. No.: **29/750,970**

(22) Filed: **Sep. 17, 2020**

(30) **Foreign Application Priority Data**

Jul. 23, 2020 (RU) ..... RU2020503326

(51) **LOC (14) Cl.** ..... **16-01**

(52) **U.S. Cl.**  
USPC ..... **D16/202**

(58) **Field of Classification Search**  
USPC ..... D16/200, 202–206, 208, 211, 214, 218,  
D16/219, 237, 242, 244; D14/130, 132,  
(Continued)

(56) **References Cited**

**U.S. PATENT DOCUMENTS**

D616,480 S \* 5/2010 Ookawa ..... D16/218  
D727,387 S \* 4/2015 Hasegawa ..... D16/203  
(Continued)

**FOREIGN PATENT DOCUMENTS**

CN 207078088 U 3/2018  
DE 102009031650 A1 1/2011  
(Continued)

**OTHER PUBLICATIONS**

Search report issued by the Taiwan Intellectual Property Office in respect of the counterpart Taiwan design patent application No. 110300422.

(Continued)

*Primary Examiner* — Ramzi Almatrahi  
(74) *Attorney, Agent, or Firm* — BCF LLP

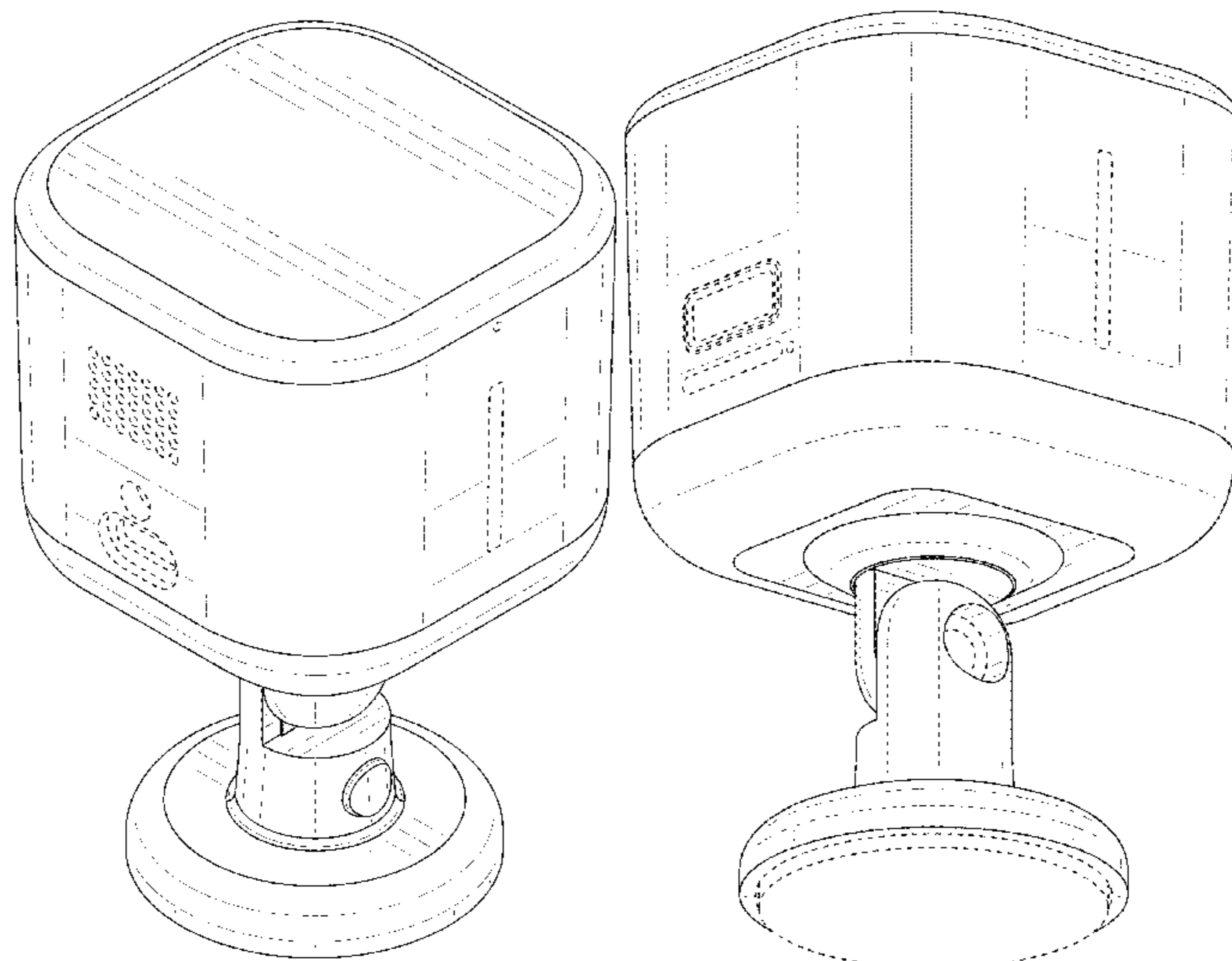
(57) **CLAIM**

The ornamental design for a camera device, as shown and described.

**DESCRIPTION**

FIG. 1 is a top, front and left side perspective view of a second embodiment of a camera device showing our new design;  
FIG. 2 is a bottom, rear, and right side perspective view thereof;  
FIG. 3 is a front elevation view thereof;  
FIG. 4 is a rear elevation view thereof;  
FIG. 5 is a right side elevation view thereof;  
FIG. 6 is a left side elevation view thereof;  
FIG. 7 is a top plan view thereof;  
FIG. 8 is a bottom plan view thereof;  
FIG. 9 is a top, front, and left side perspective view of to a second embodiment of a camera device showing our new design;  
FIG. 10 is a bottom, rear, and right side perspective view thereof;  
FIG. 11 is a front elevation view thereof;  
FIG. 12 is a rear elevation view thereof;  
FIG. 13 is a right side elevation view thereof;  
FIG. 14 is a left side elevation view thereof;  
FIG. 15 is a top plan view thereof; and,  
FIG. 16 is a bottom plan view thereof.  
The broken lines depict portions of the camera device in which the design is embodied that form no part of the claimed design.

**1 Claim, 16 Drawing Sheets**



(58) **Field of Classification Search**

USPC ..... D14/144; 348/164, 347, 373–376;  
396/535, 539–541  
CPC ..... G03B 15/03; G03B 17/02; G03B 17/04;  
G03B 17/56; G03B 19/04; H04N 5/2251;  
H04N 5/2252; H04N 5/2253; H04N  
5/2254; H04N 2101/00

See application file for complete search history.

(56)

**References Cited**

U.S. PATENT DOCUMENTS

D730,423 S \* 5/2015 Vandenbussche ..... D16/218  
D741,932 S 10/2015 Huang et al.  
D745,589 S \* 12/2015 Lee ..... D16/218  
D754,230 S \* 4/2016 Mori ..... D16/218  
D773,547 S \* 12/2016 Lee ..... D16/218  
D785,068 S \* 4/2017 Patsis ..... D16/218  
D849,110 S \* 5/2019 Khubani ..... D16/218  
D858,603 S 9/2019 Ye

D865,840 S \* 11/2019 White ..... D16/203  
D871,484 S 12/2019 Wang  
D905,780 S \* 12/2020 Zhu ..... D16/202  
D914,784 S \* 3/2021 Wei ..... D16/203  
D917,598 S \* 4/2021 Ye ..... D16/203  
2018/0026669 A1 1/2018 Edwards et al.

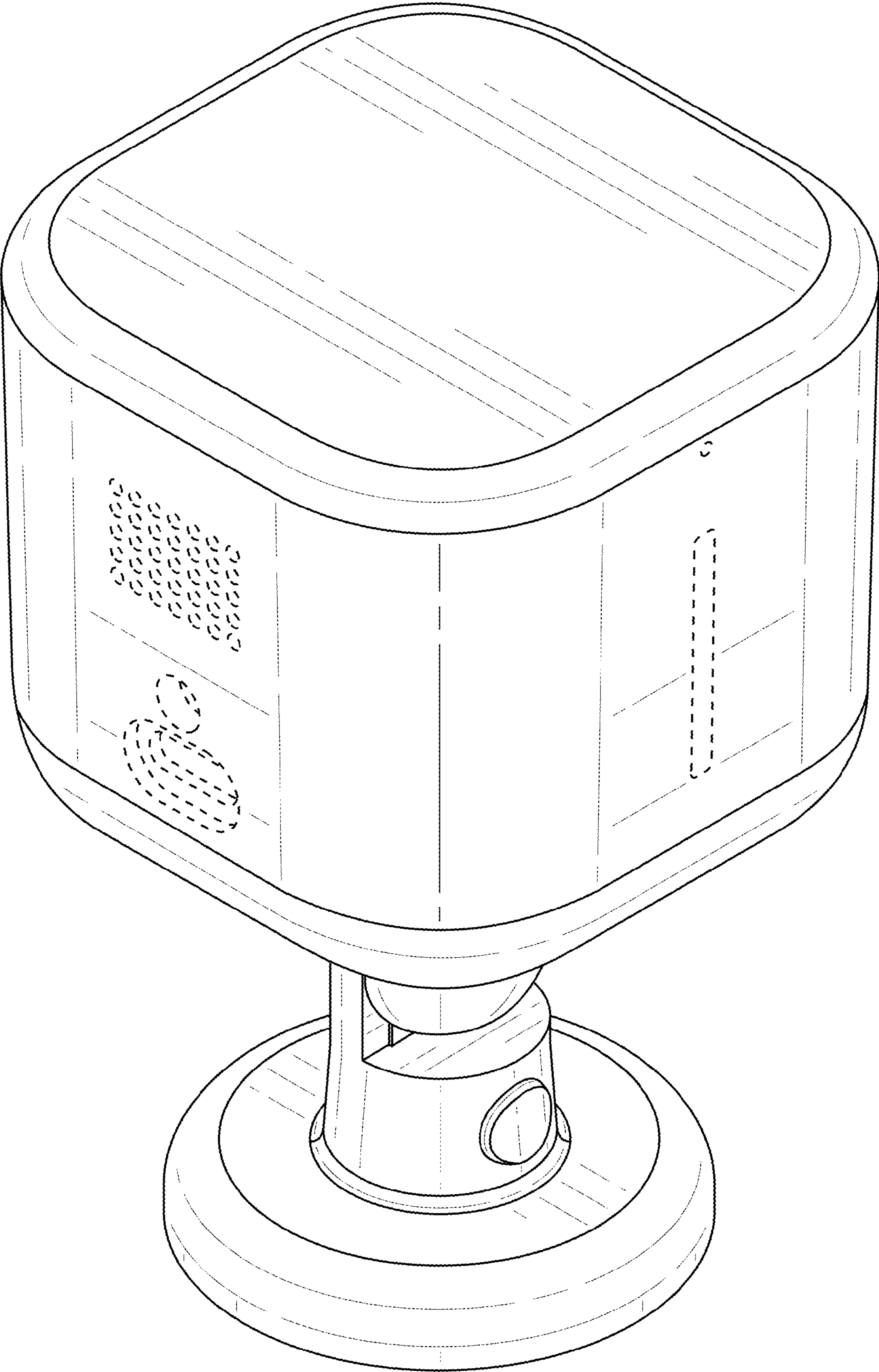
FOREIGN PATENT DOCUMENTS

EM 004686699-0011 7/2018  
KR 3005003830000 7/2008  
KR 3010539220000 4/2020  
TW D203065 S 3/2020

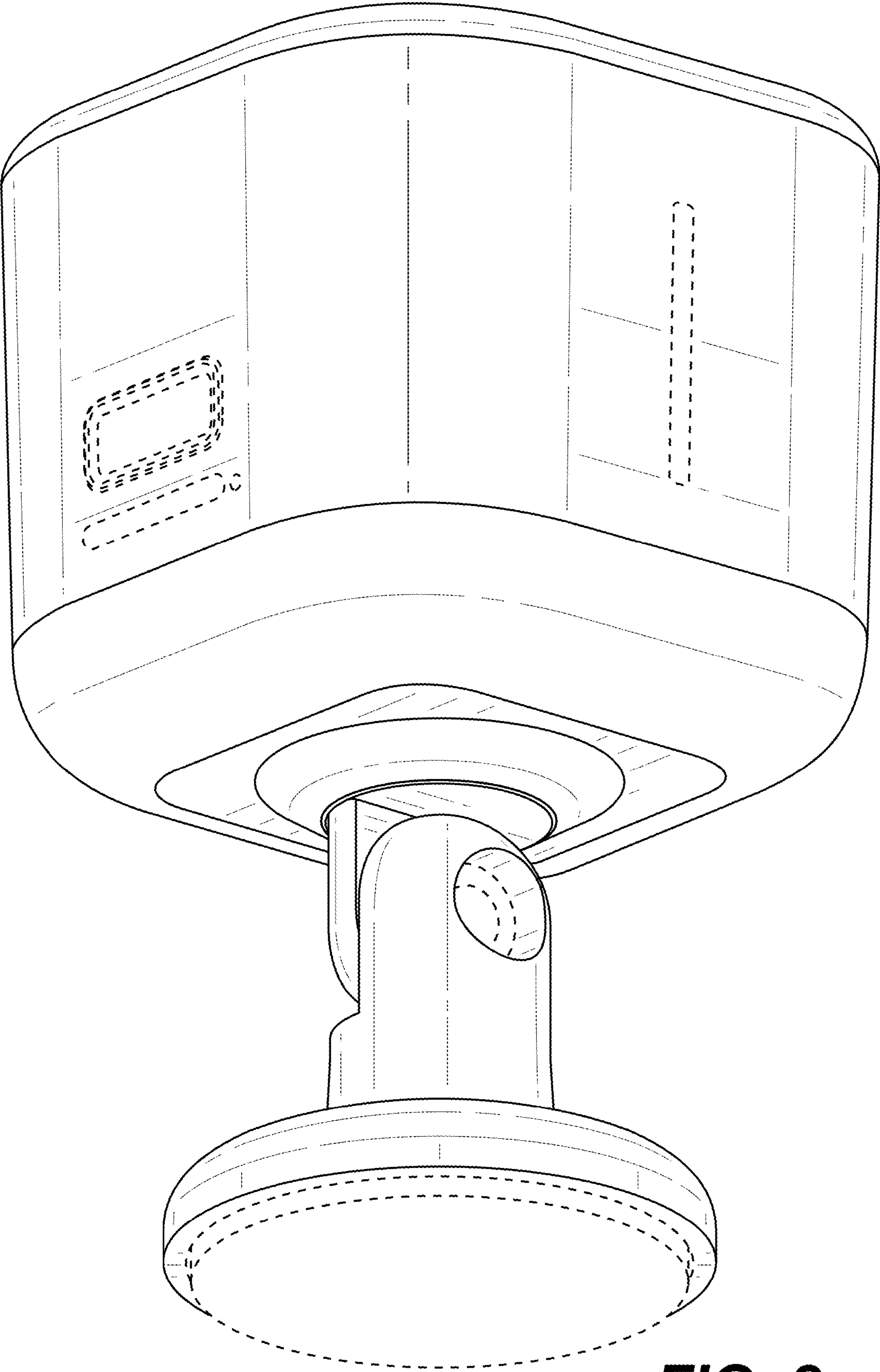
OTHER PUBLICATIONS

Vuemate DL330A, <http://www.dinalog.co.kr/english/product/vuemate2>, <http://www.dinalog.co.kr/>, Copyright (C) 2014 Dinalog, Inc; retrieved on the Internet on Sep. 15, 2020.

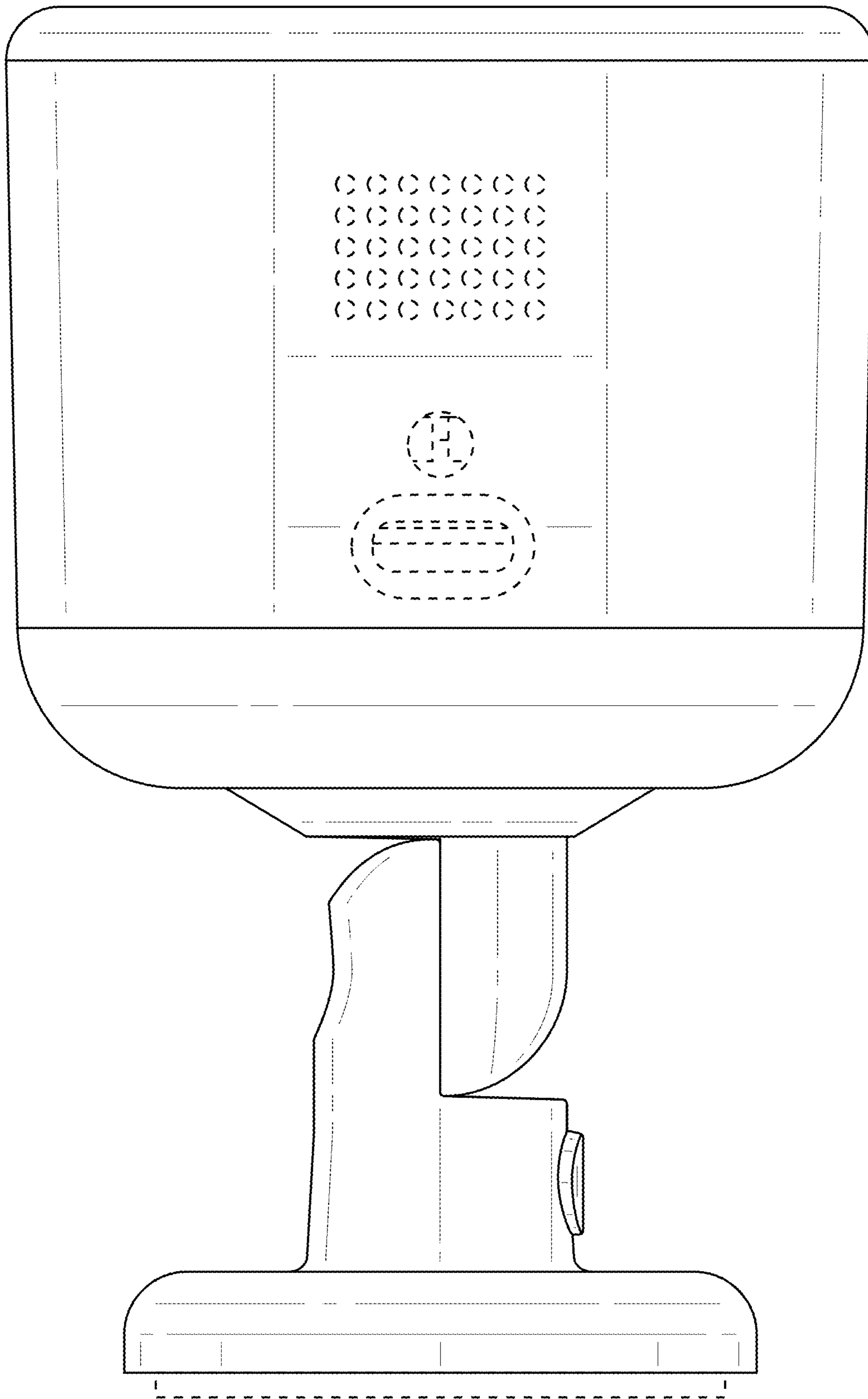
\* cited by examiner



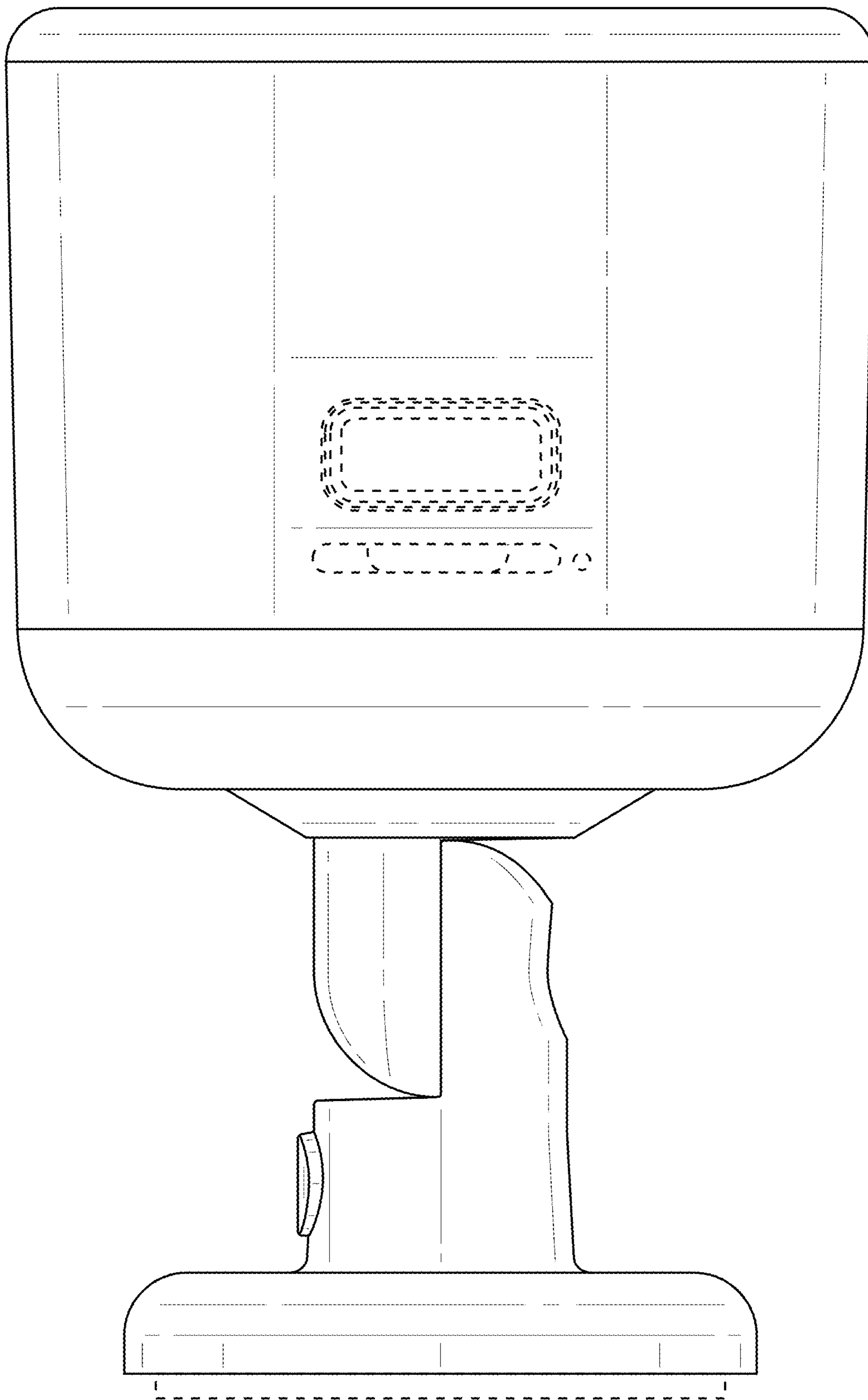
**FIG. 1**



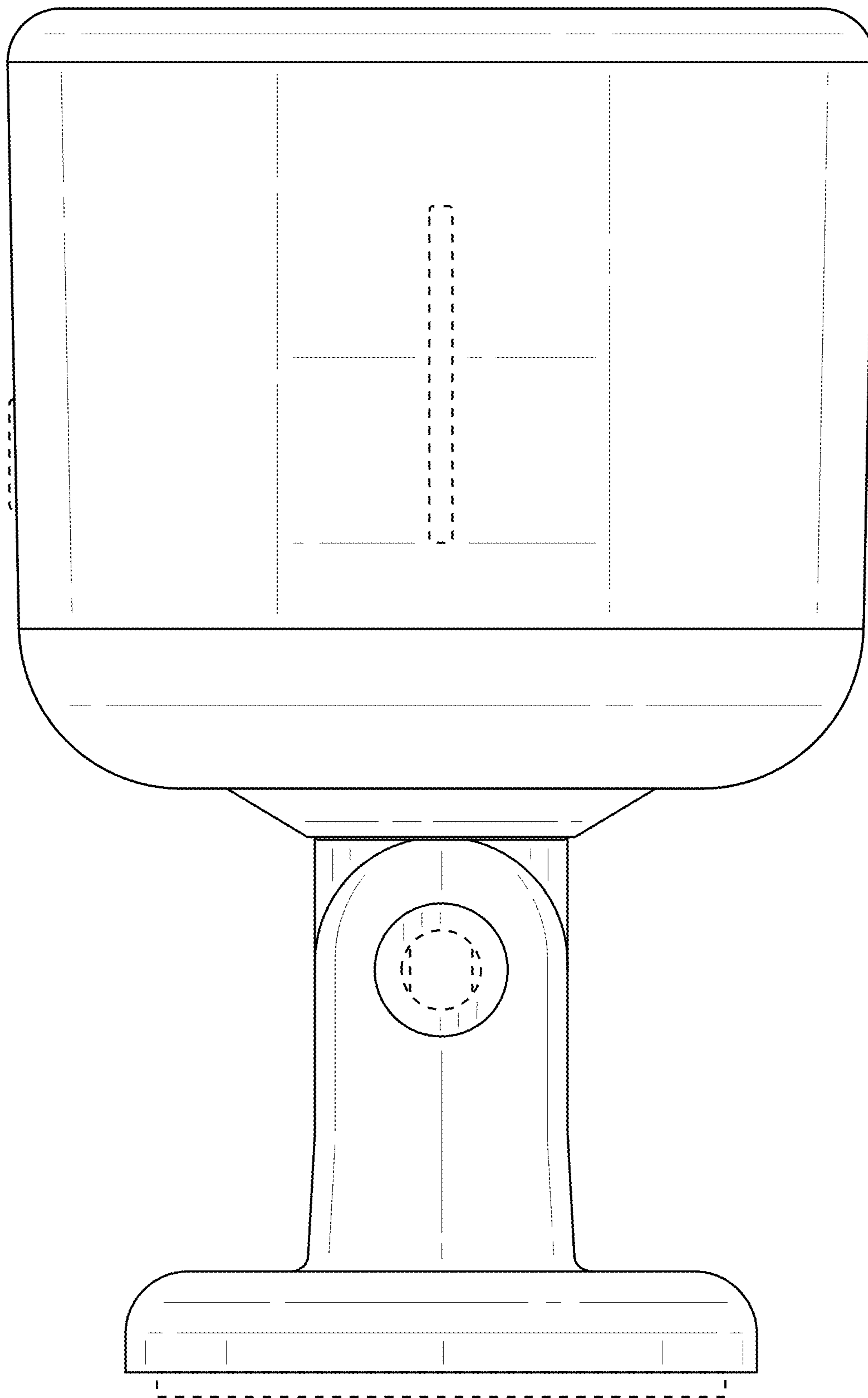
**FIG. 2**



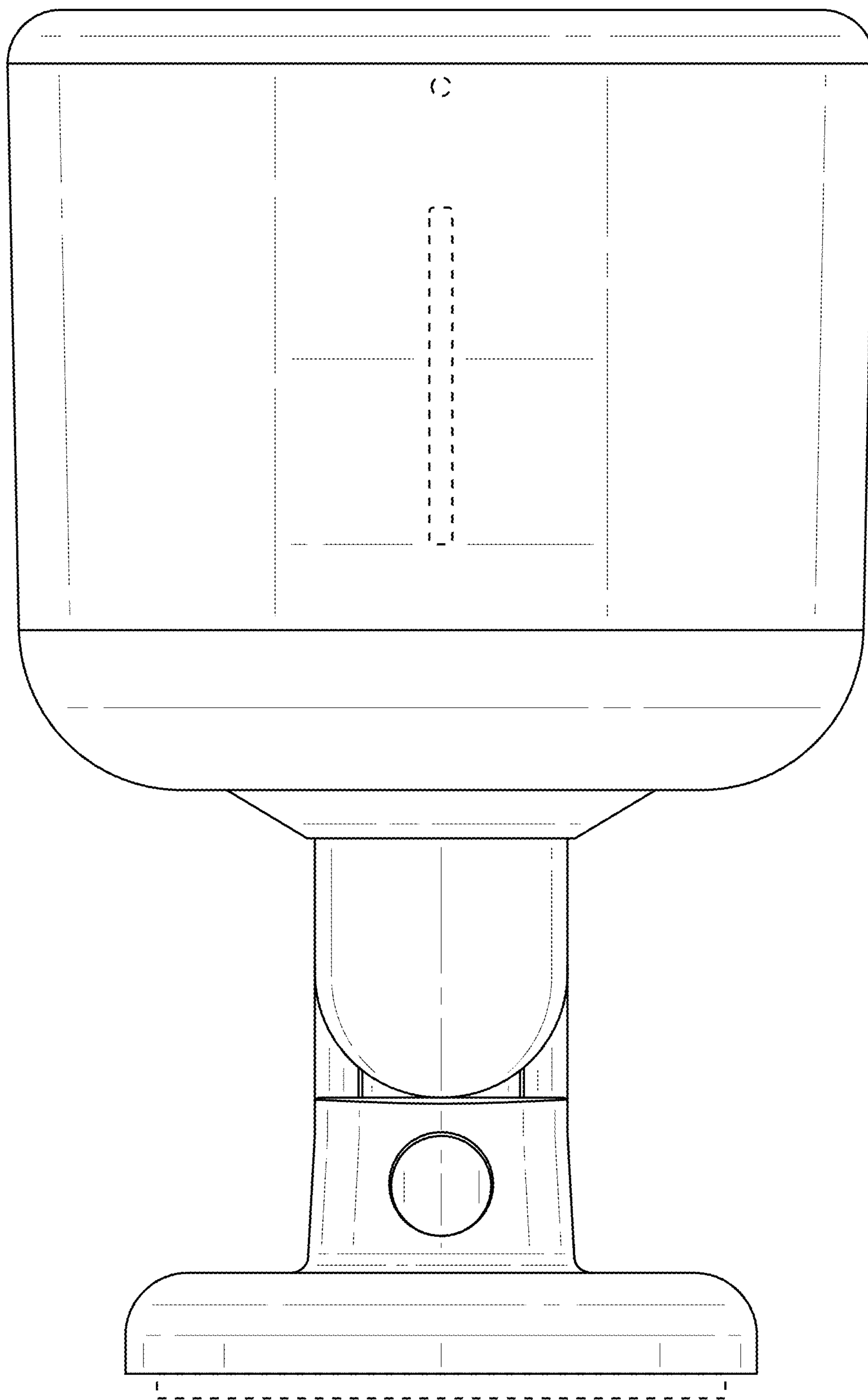
**FIG. 3**



**FIG. 4**

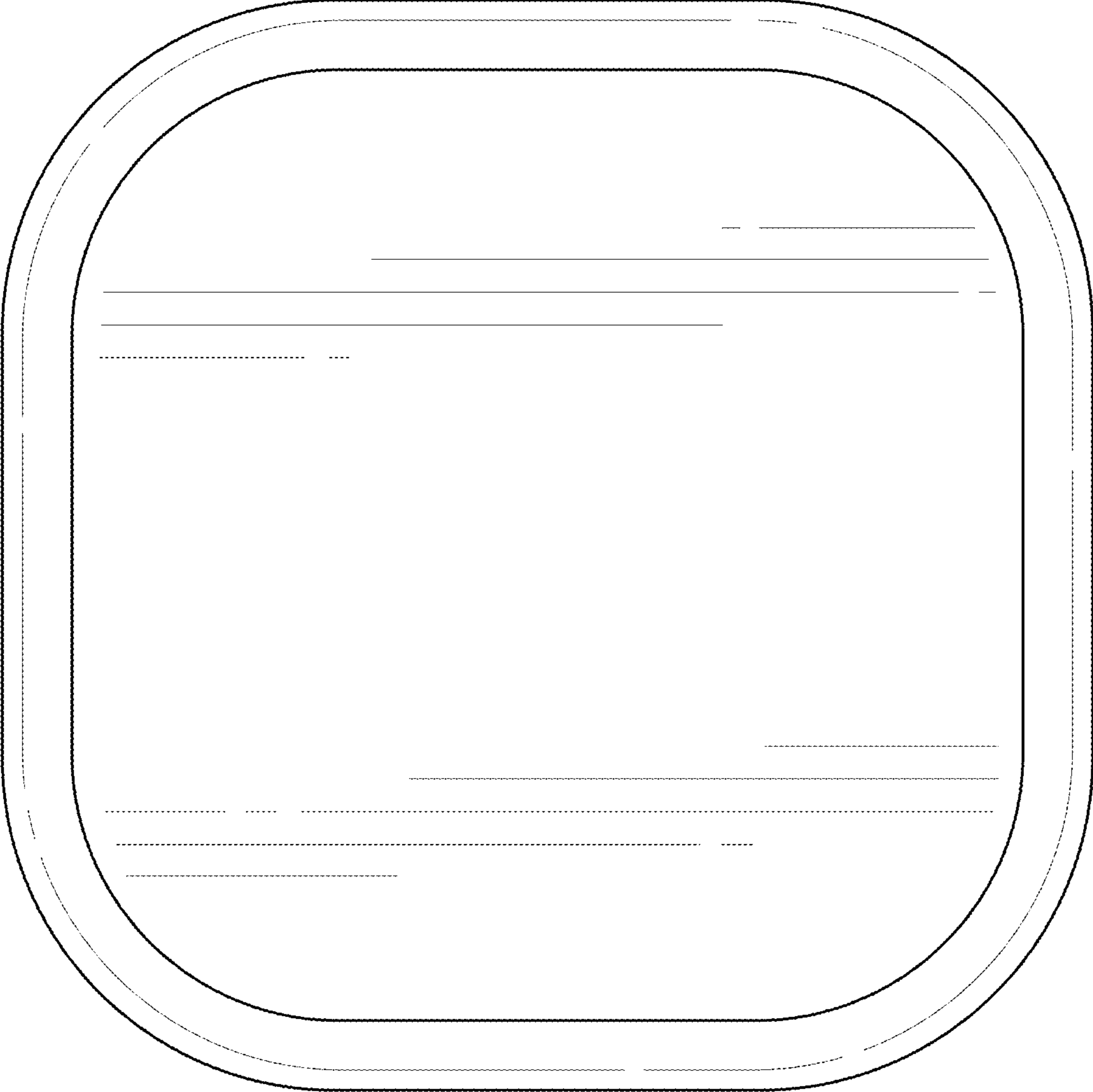


**FIG. 5**

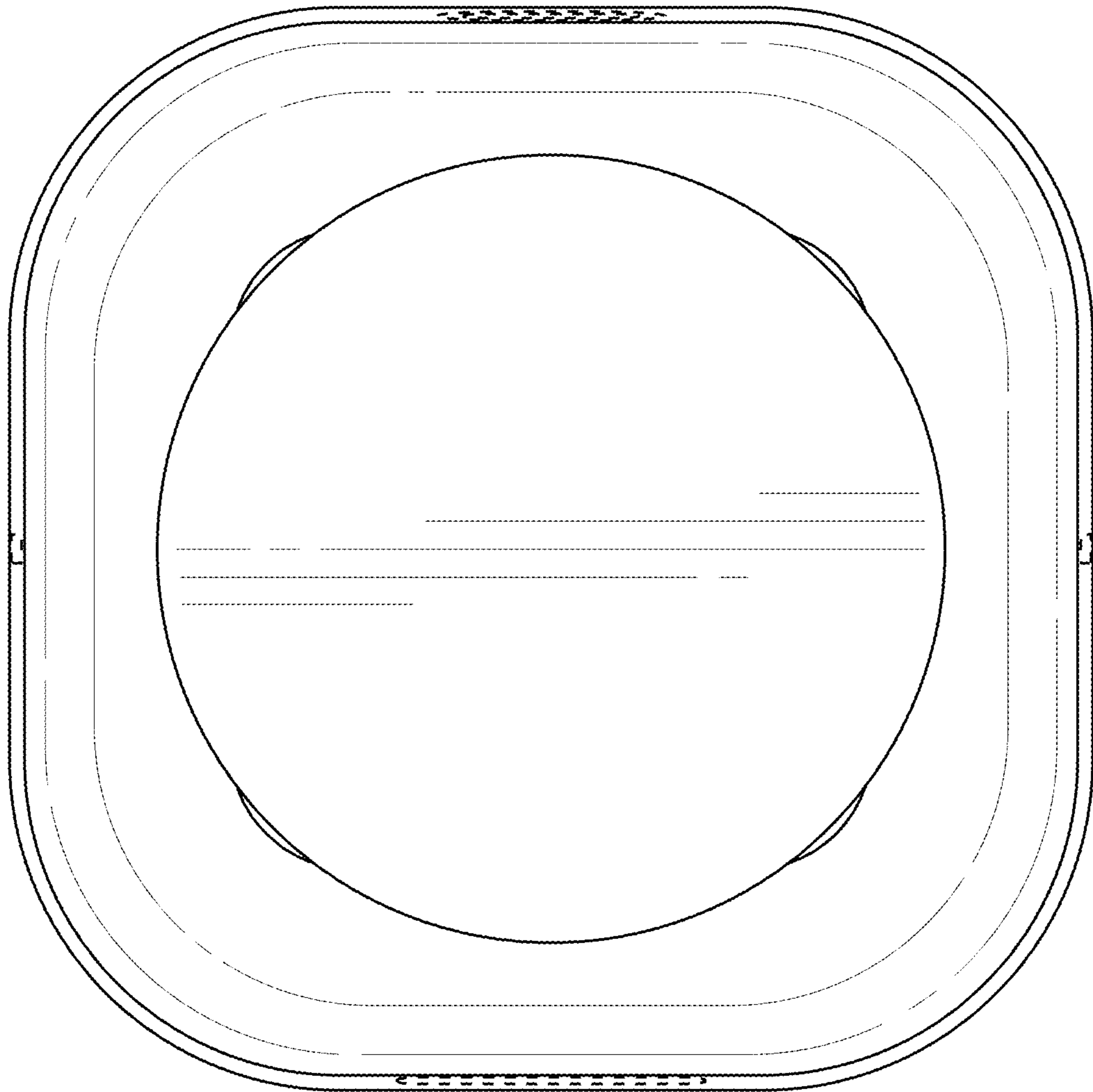


**FIG. 6**

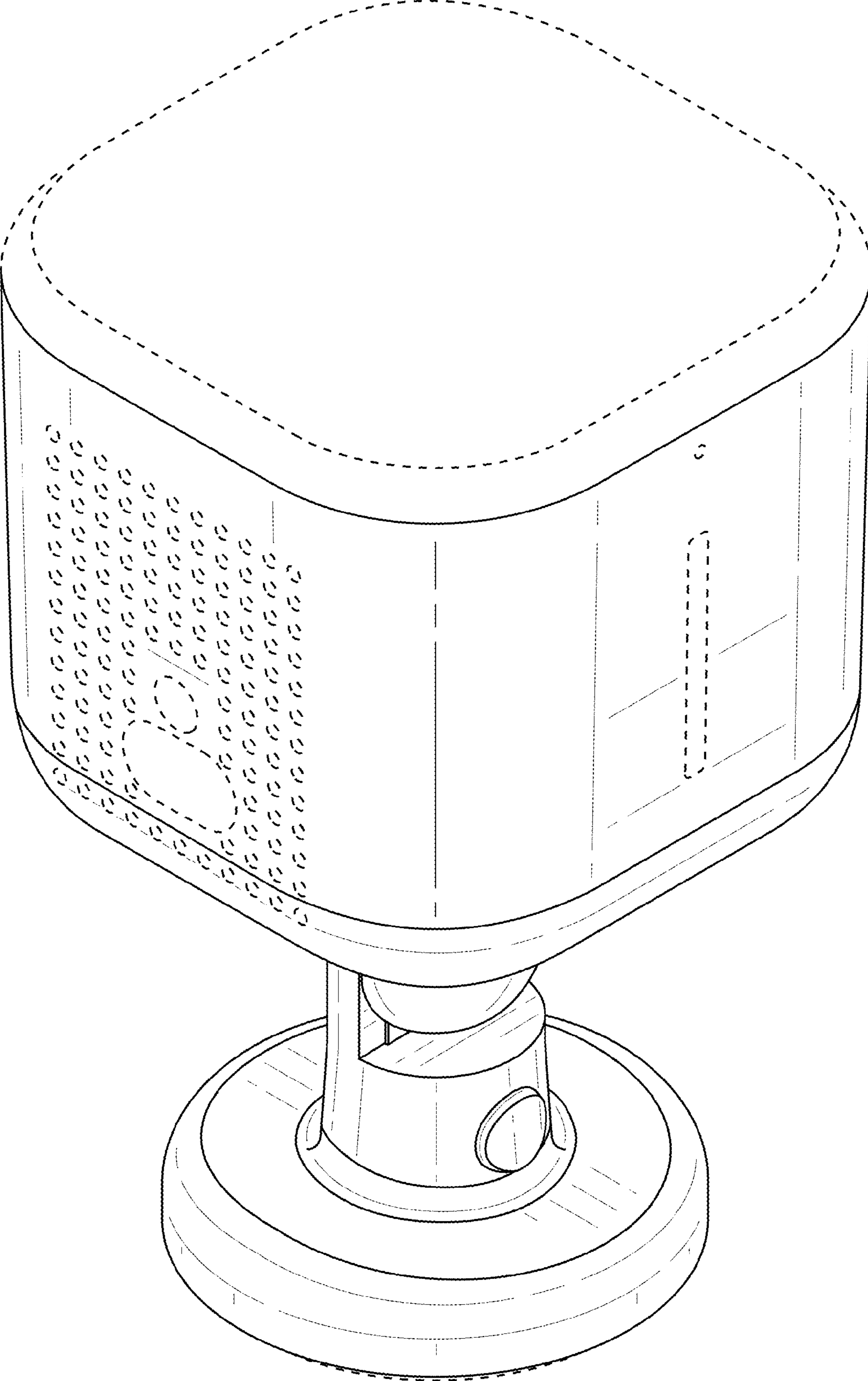




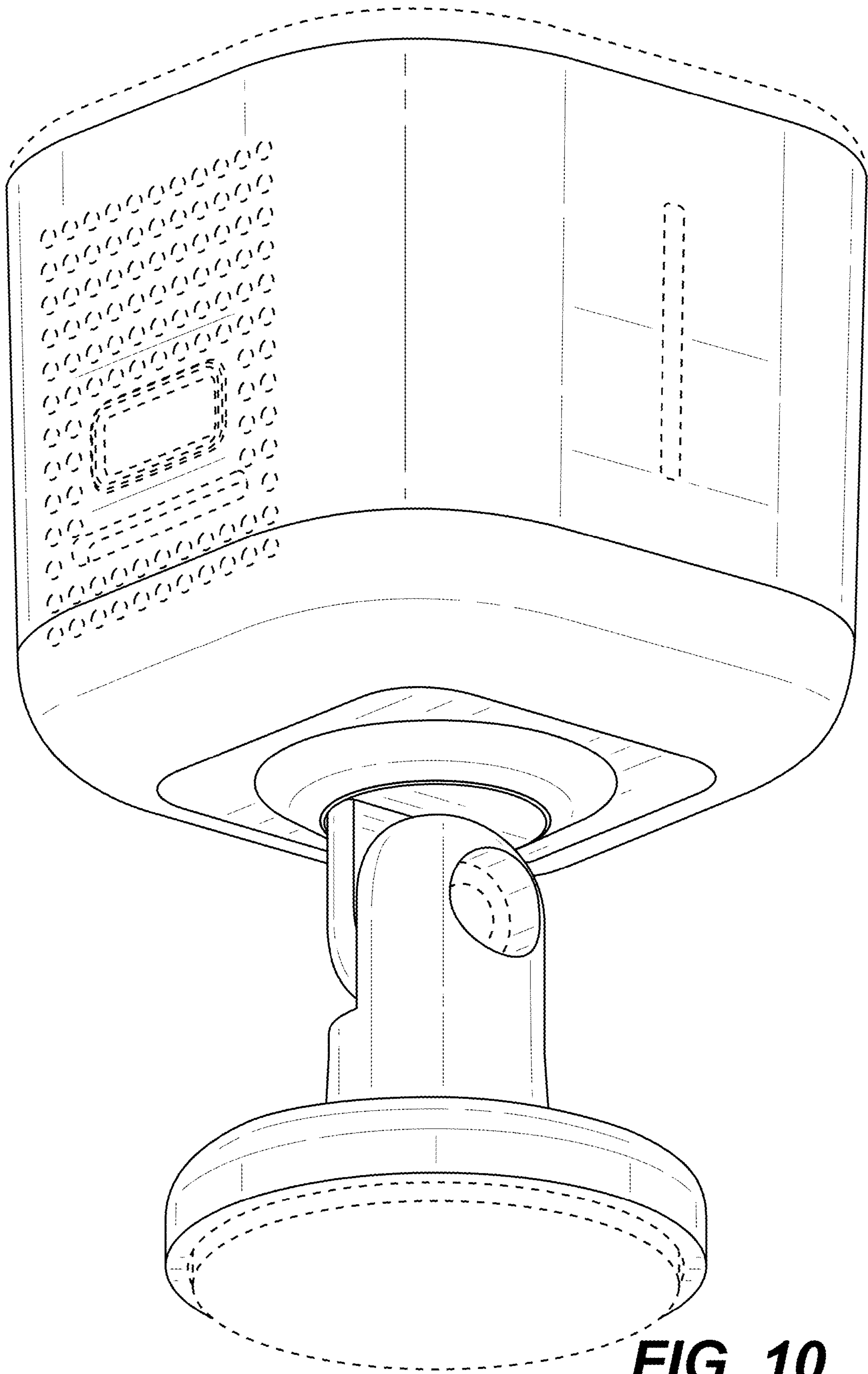
**FIG. 7**



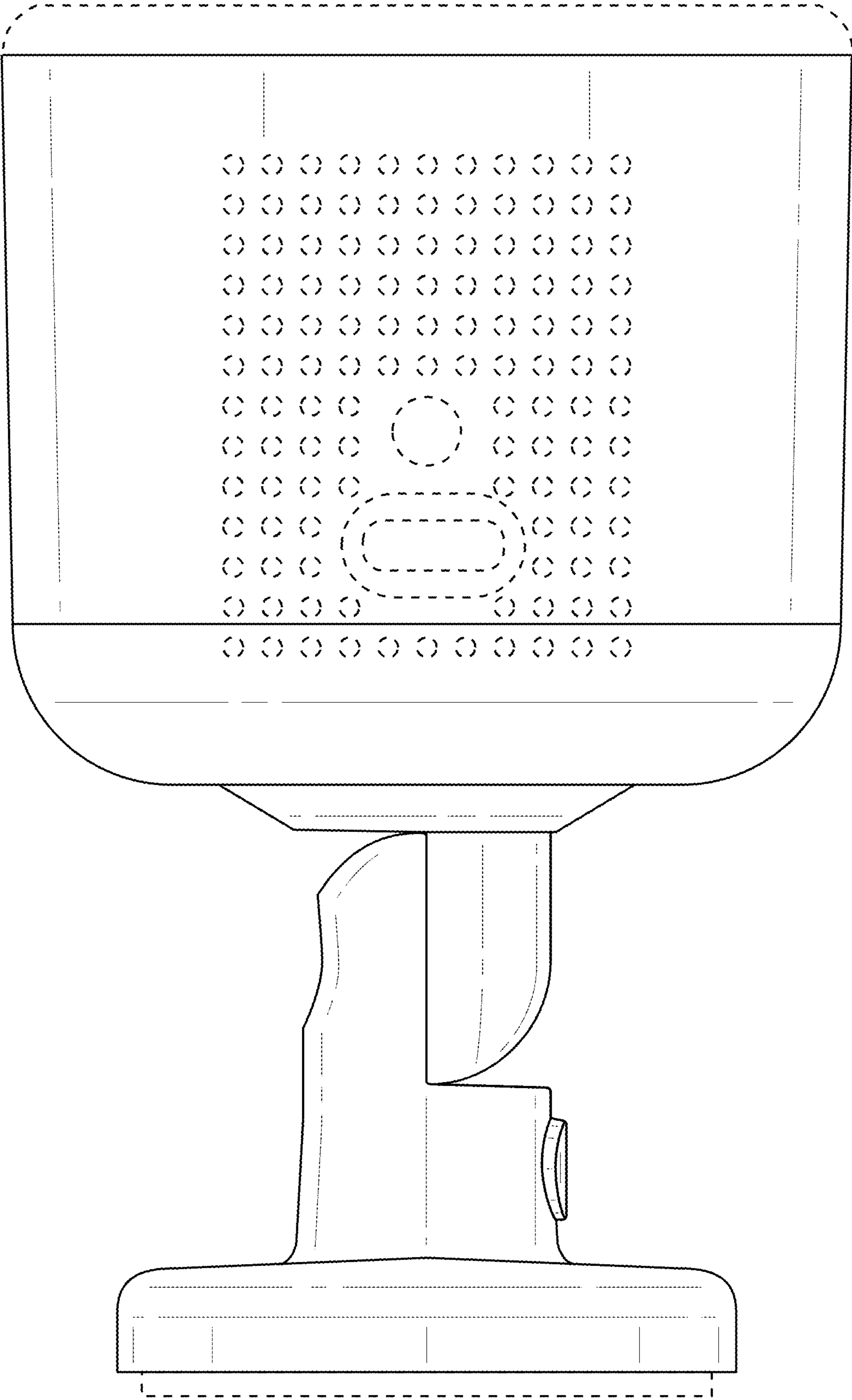
**FIG. 8**



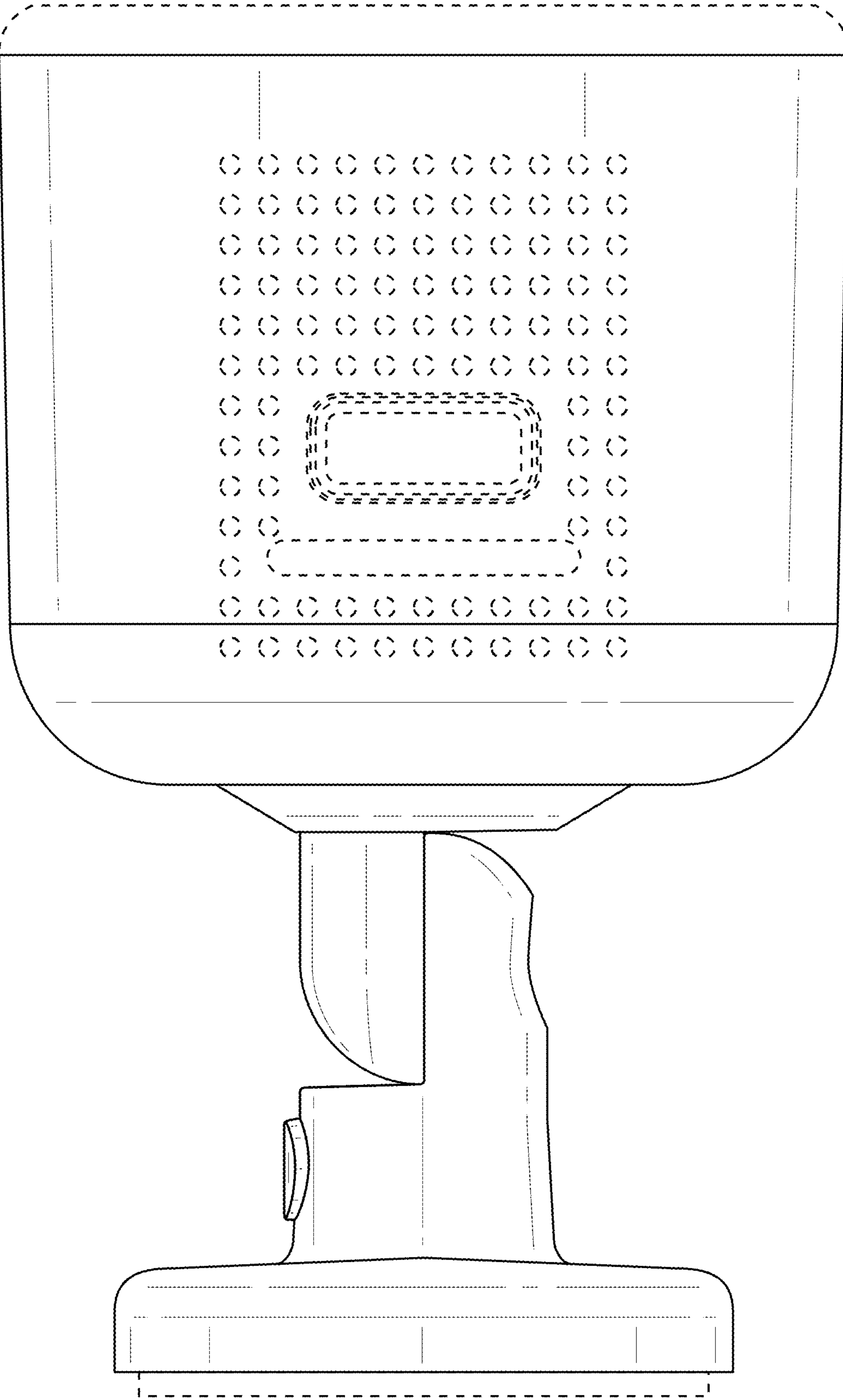
**FIG. 9**



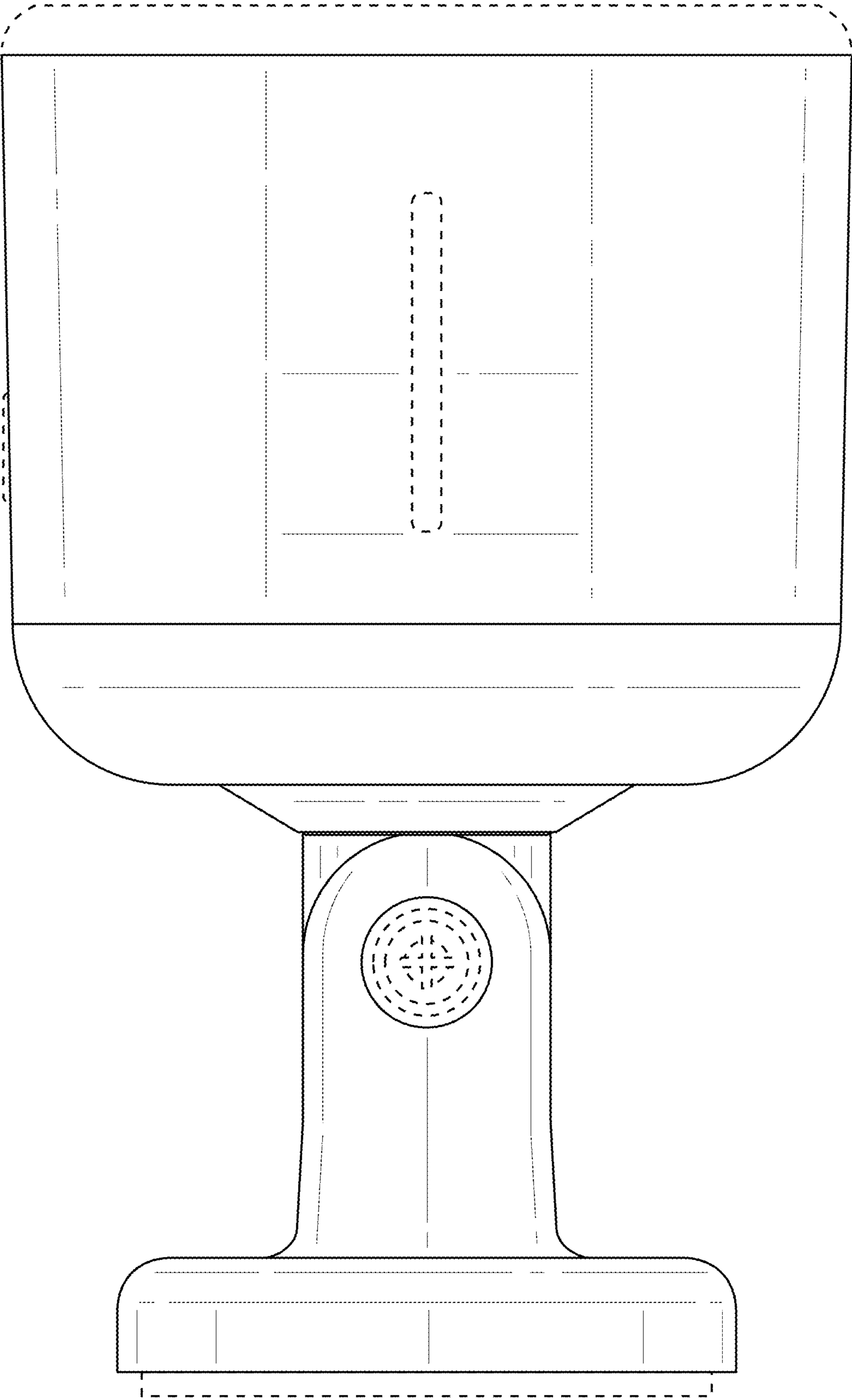
**FIG. 10**



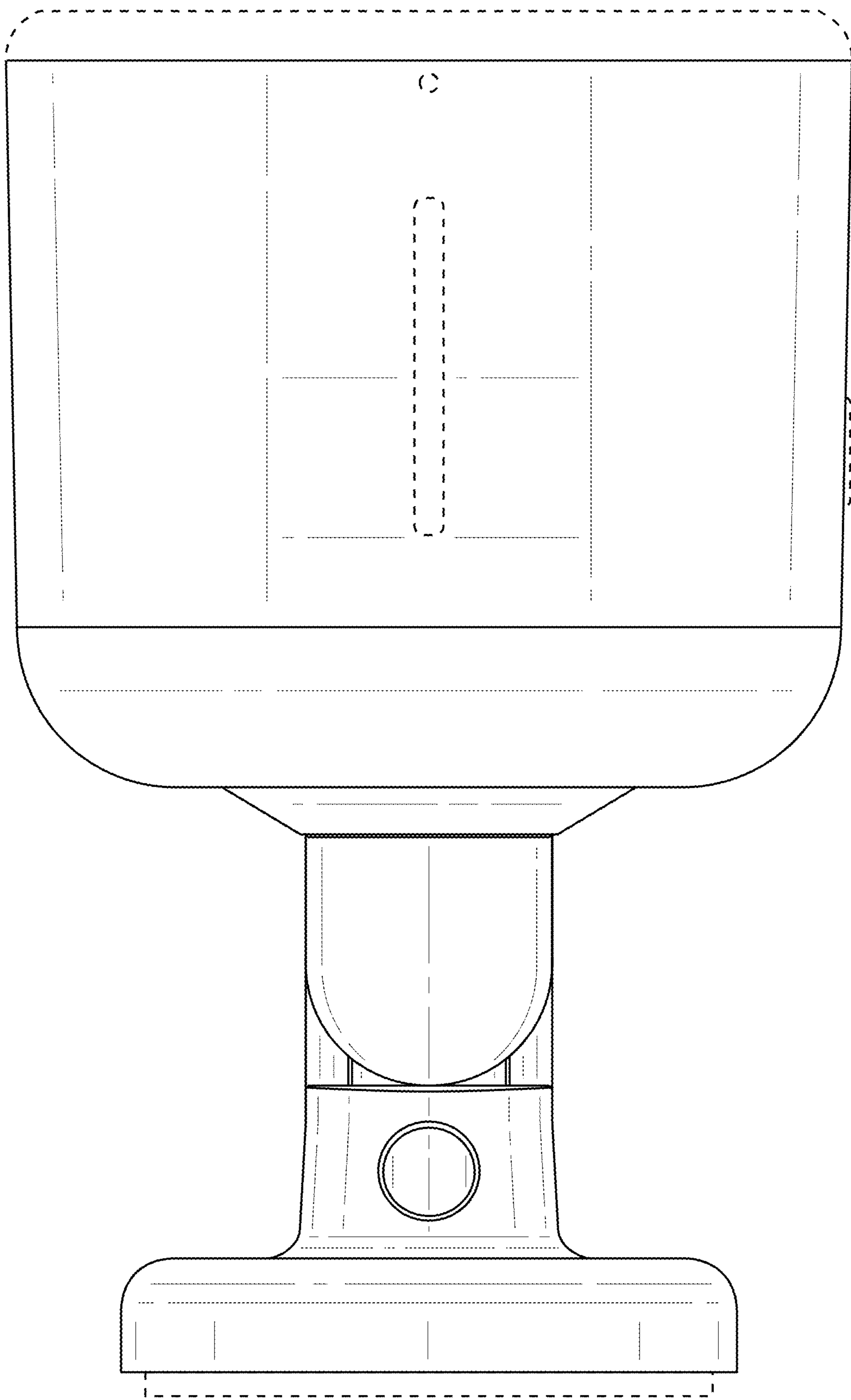
**FIG. 11**



**FIG. 12**

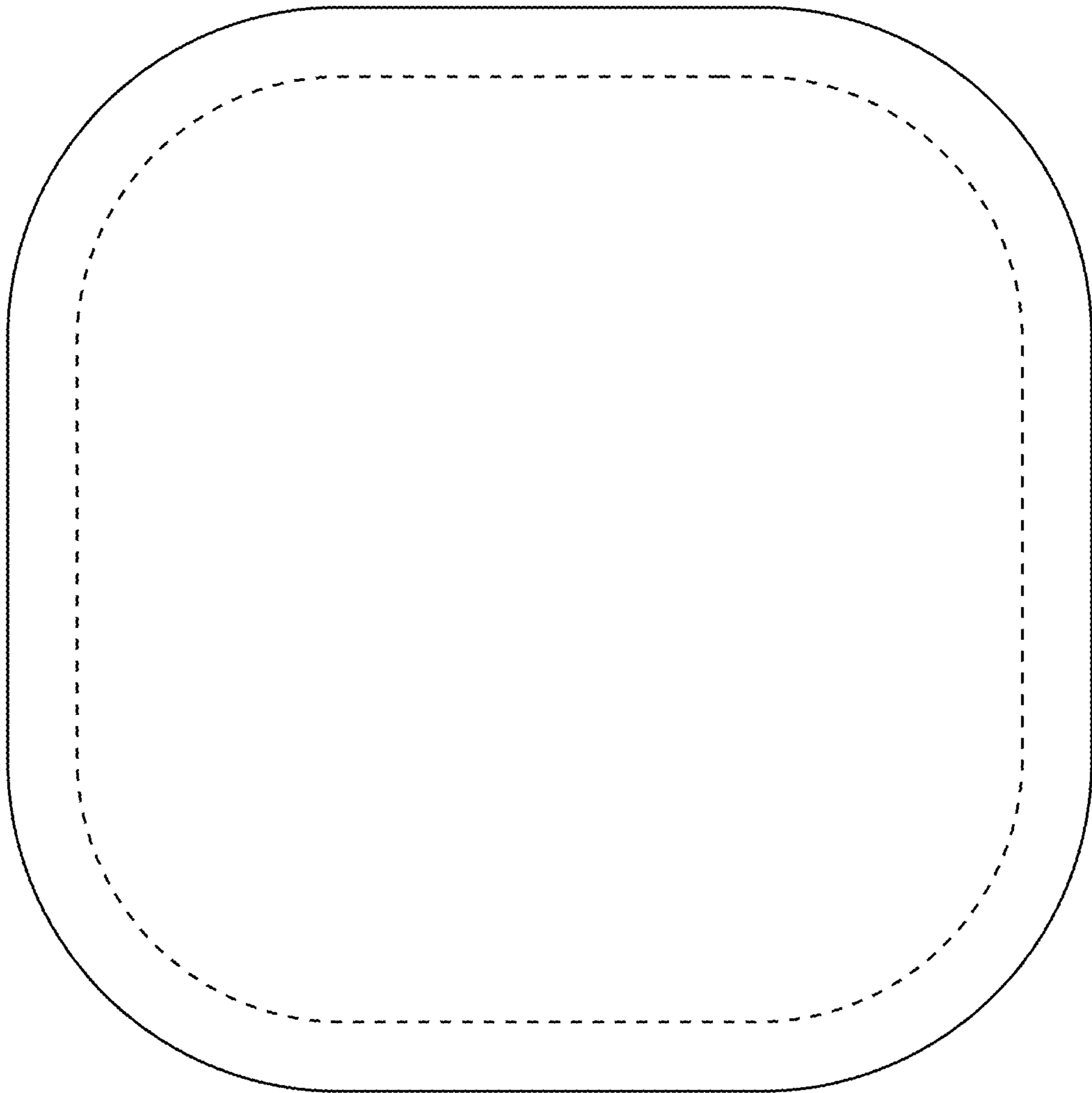


**FIG. 13**

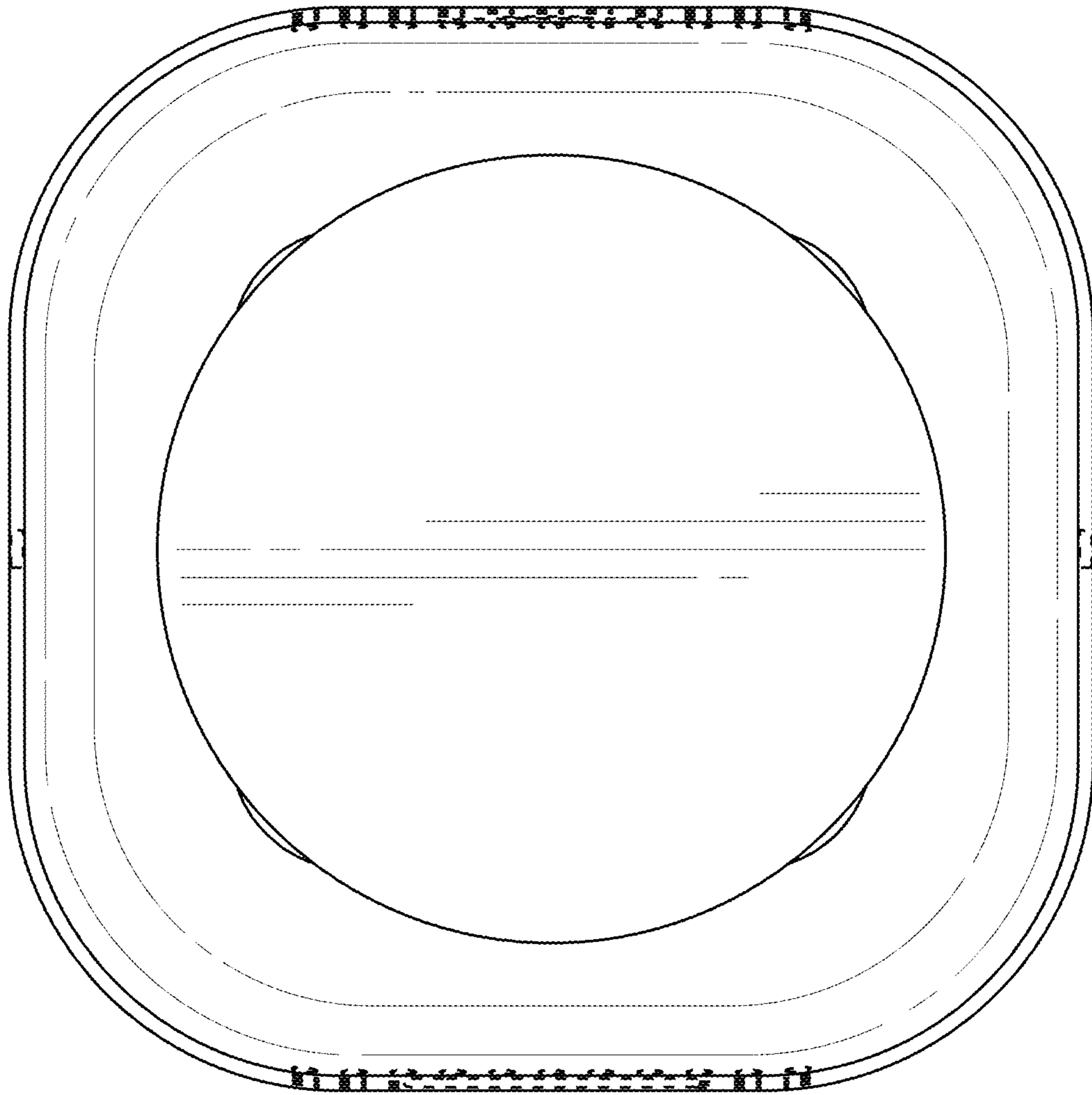


**FIG. 14**





**FIG. 15**



**FIG. 16**