



US00D976982S

(12) **United States Design Patent** (10) **Patent No.:** **US D976,982 S**
Meyer (45) **Date of Patent:** **** Jan. 31, 2023**

(54) **OPTIC FITTING SET**

(71) Applicant: **Nico Corporation**, Indianapolis, IN (US)
 (72) Inventor: **Ralph A. Meyer**, Jacksonville, FL (US)
 (73) Assignee: **NICO CORPORATION**, Indianapolis, IN (US)
 (**) Term: **15 Years**

(21) Appl. No.: **29/691,837**

(22) Filed: **May 20, 2019**

(51) **LOC (14) Cl.** **16-99**

(52) **U.S. Cl.**
 USPC **D16/130; D24/129**

(58) **Field of Classification Search**

USPC D10/70, 109.1, 109.2, 46, 66, 81;
 D16/134, 130, 131, 132, 135, 136,
 D16/202–208, 210, 245, 219, 221, 235,
 D16/237, 313, 314, 326; D24/120, 113,
 D24/118, 119, 121, 122, 124, 125, 128,
 D24/137, 186, 172, 129; D14/433, 420,
 D14/256, 428, 206, 372, 426, 429, 435,
 D14/453; D22/109, 108; D26/24, 28,
 D26/122, 113, 118; D13/133, 147, 154,
 D13/156, 146, 101, 123; D15/10, 122,
 D15/144; D32/35; D6/682.6; D8/349,
 D8/98
 CPC ... G01C 3/00; G01C 3/02; G01C 3/04; G01C
 3/06; G01C 3/08; G01C 3/085; G01C
 3/10; G01C 3/12; G01C 3/16; G01C
 3/18; G01C 3/20; G01C 3/22; G01C
 3/24; G01C 3/26; G01C 3/28; G01C
 3/30; G01C 3/32; B60Q 1/04; B60Q
 1/26; F21S 8/026; F21S 8/04; F21V
 29/004; F21V 21/02; F21V 21/04; F21V
 29/2212; F21Y 2101/02; G02B 27/026;
 G02B 23/16; G02B 2003/0093;

(Continued)

(56) **References Cited**

U.S. PATENT DOCUMENTS

D284,222 S * 6/1986 Hamilton D24/129
 4,747,669 A * 5/1988 Yamada G03B 17/04
 359/826

(Continued)

Primary Examiner — Richard Kearney
Assistant Examiner — Benjamin M Weeks
 (74) *Attorney, Agent, or Firm* — Brooks Kushman P.C.

(57) **CLAIM**

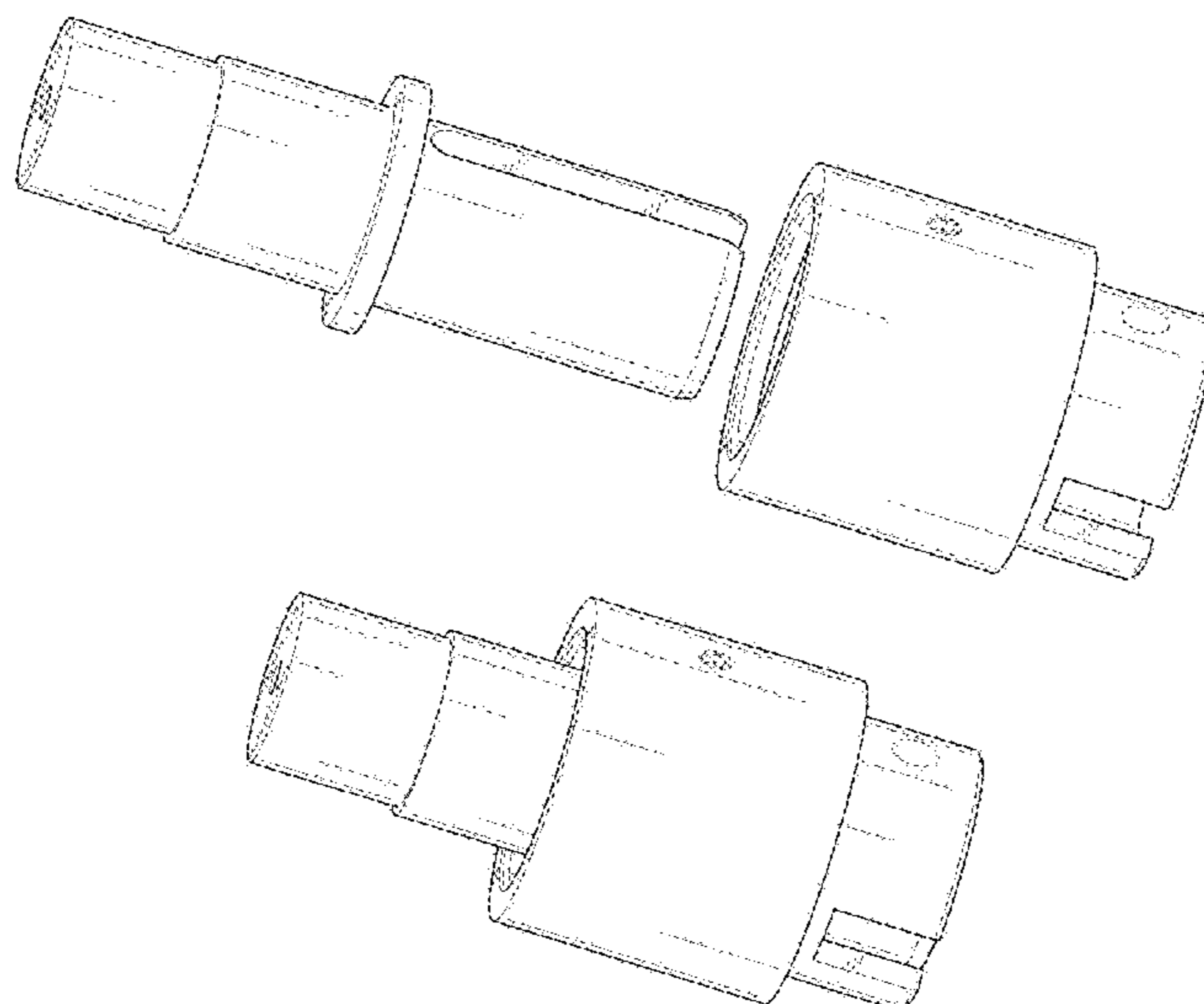
The ornamental design for an optic fitting set, as shown and described.

DESCRIPTION

FIG. 1 is an exploded perspective view of an optic fitting set; FIG. 2 is an assembled perspective view of the optic fitting set; of FIG. 1;
 FIG. 3 is a perspective view of a receiving element for the optic fitting set; of FIG. 1;
 FIG. 4 is a top view of the receiving element of the optic fitting set; of FIG. 3;
 FIG. 5 is a forward side elevational view of the receiving element of the optic fitting set; of FIG. 3;
 FIG. 6 is a rear side elevational view of the receiving element of the optic fitting set; of FIG. 3;
 FIG. 7 is a bottom view of the receiving element of the optic fitting set; of FIG. 3;
 FIG. 8 is a top view of an insertion member of the optic fitting set; of FIG. 1;
 FIG. 9 is a bottom view of the insertion member of the optic fitting set; of FIG. 8;
 FIG. 10 is a forward side elevational view of the optic fitting set; of FIG. 8; and,
 FIG. 11 is a rear side elevational view of the optic fitting set; of FIG. 8.

Any broken lines depict portions of an optic fitting set that form no part of the claimed design.

1 Claim, 7 Drawing Sheets



(58) **Field of Classification Search**

CPC .. G02B 3/04; H04J 11/00; H04J 13/00; E06B
 9/24; G03B 17/02; G03B 11/00; G03B
 15/14; C03B 2215/46; H04L 41/0896;
 H04L 41/5022; H04L 67/06; H04L
 67/1097; H04L 67/2833; H04L 67/34;
 A61B 2090/306; A61B 90/35

See application file for complete search history.

(56) **References Cited**

U.S. PATENT DOCUMENTS

D300,404 S * 3/1989 Lauer D8/14
 D335,535 S * 5/1993 Arioka D24/117
 D342,749 S * 12/1993 Dhuruvasangary D16/131
 D369,406 S * 4/1996 Niedospial D24/129
 D473,647 S * 4/2003 Francavilla D24/129
 D484,593 S * 12/2003 Baillargeon D24/129

D506,439 S * 6/2005 Wang D13/133
 D749,213 S * 2/2016 Chauvette D24/129
 D838,070 S * 1/2019 Chen D32/35
 D861,758 S * 10/2019 Severance, Jr. D15/144
 D864,341 S * 10/2019 Dueck D22/108
 D865,954 S * 11/2019 Mottola D24/129
 D867,290 S * 11/2019 Wang D13/133
 D872,024 S * 1/2020 Watkins D13/133
 D881,816 S * 4/2020 Wilfer D13/133
 D888,131 S * 6/2020 Redpath D16/235
 D892,321 S * 8/2020 Newton D24/129
 D899,590 S * 10/2020 Gulliver D24/129
 D905,235 S * 12/2020 Mottola D24/129
 D927,632 S * 8/2021 Li D22/108
 D944,936 S * 3/2022 Chaves D24/129
 D959,656 S * 8/2022 Suarez del Real Pena . D24/129
 D964,557 S * 9/2022 Lewis D24/129
 2010/0007948 A1 * 1/2010 Yang G02B 23/16
 359/410

* cited by examiner

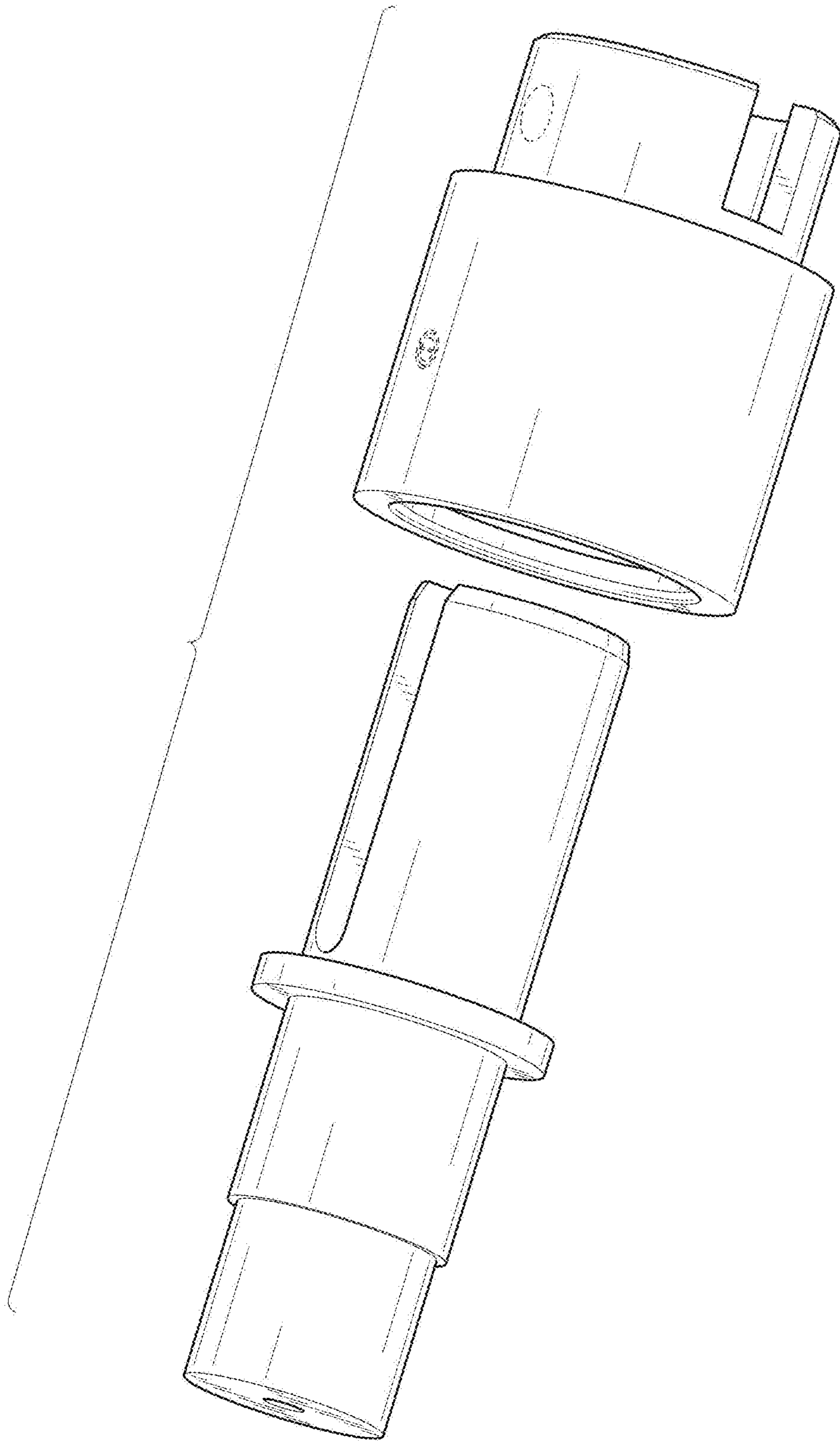


FIG. 1

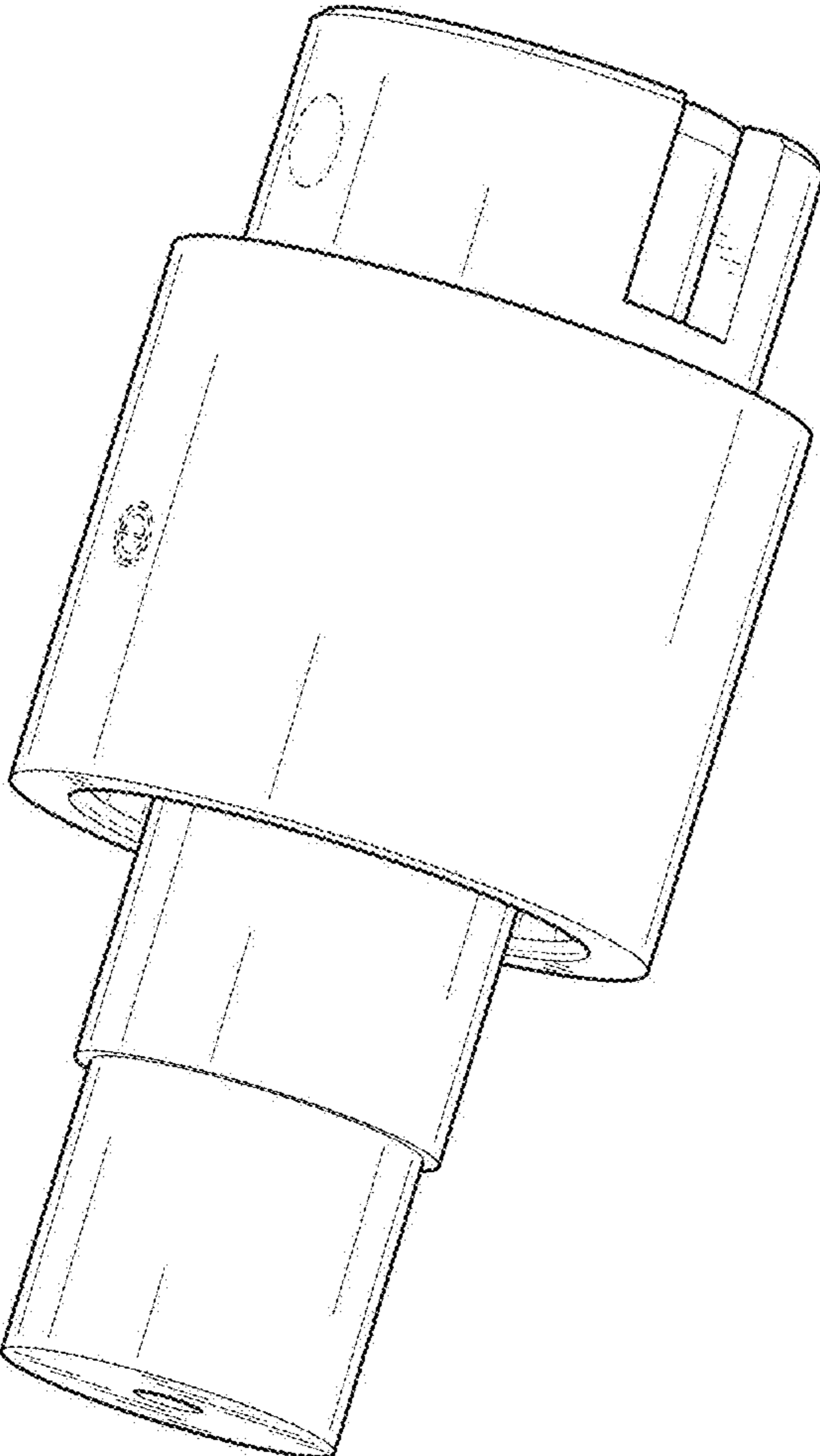


FIG. 2

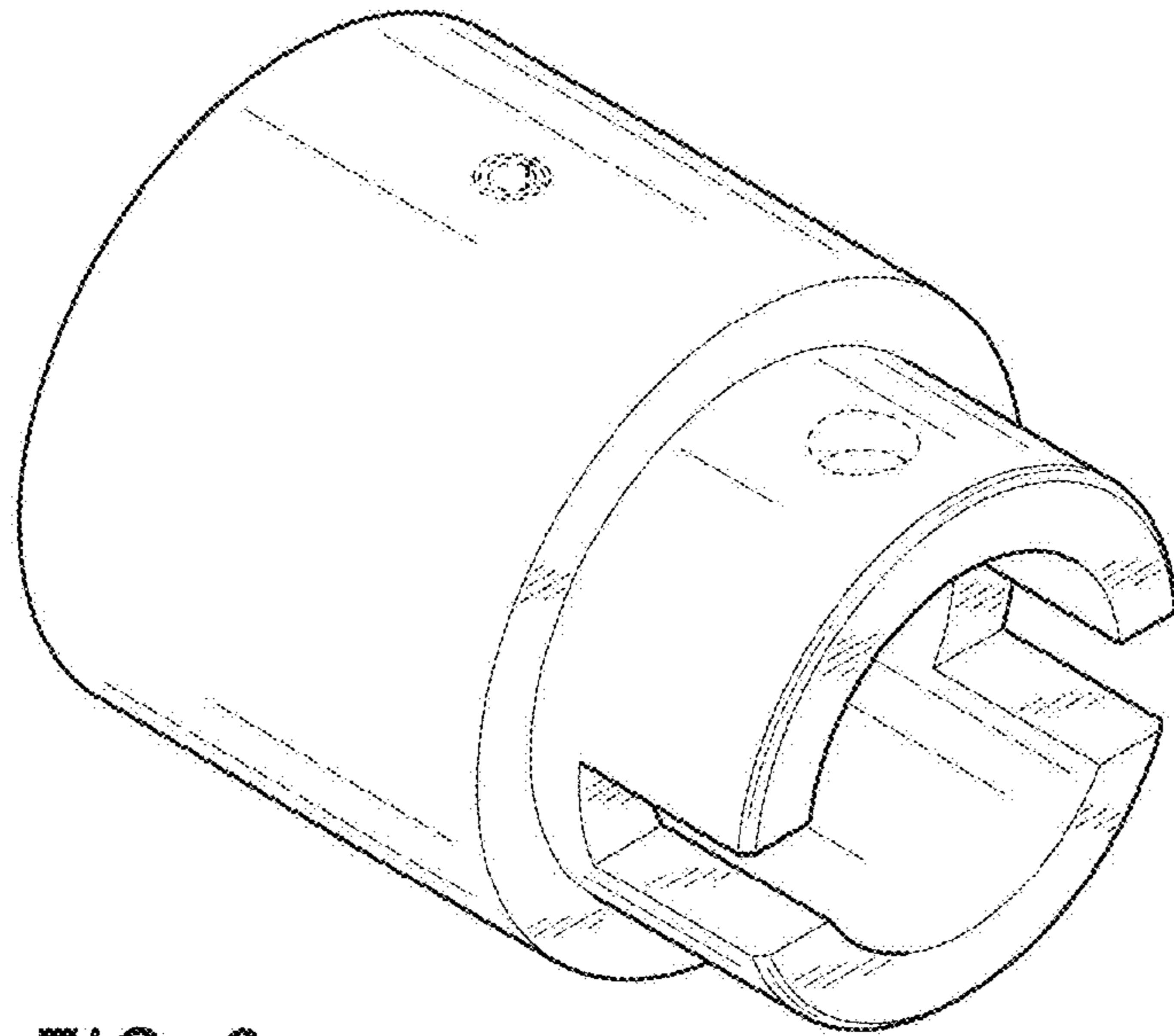


FIG. 3

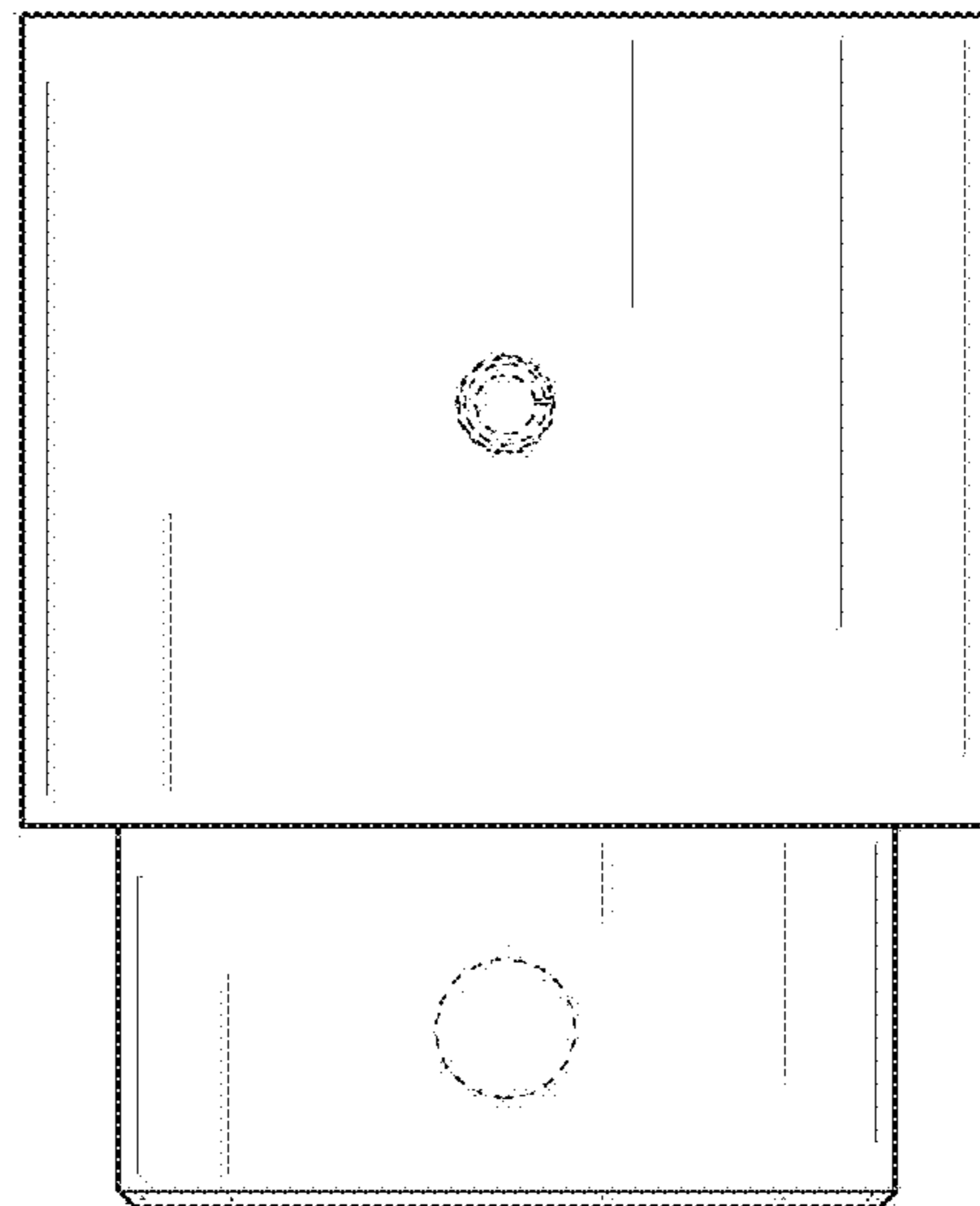


FIG. 4

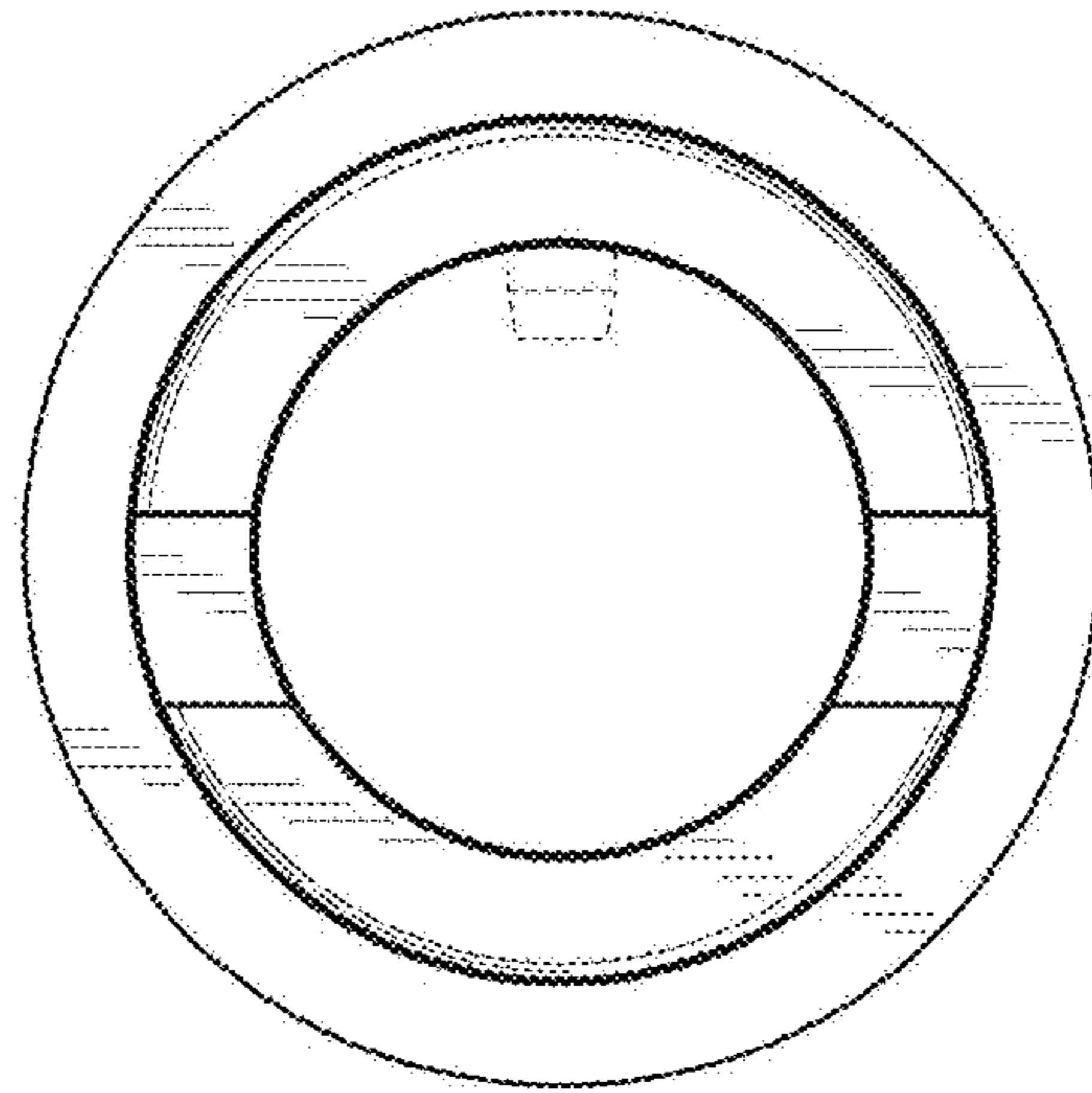


FIG. 5

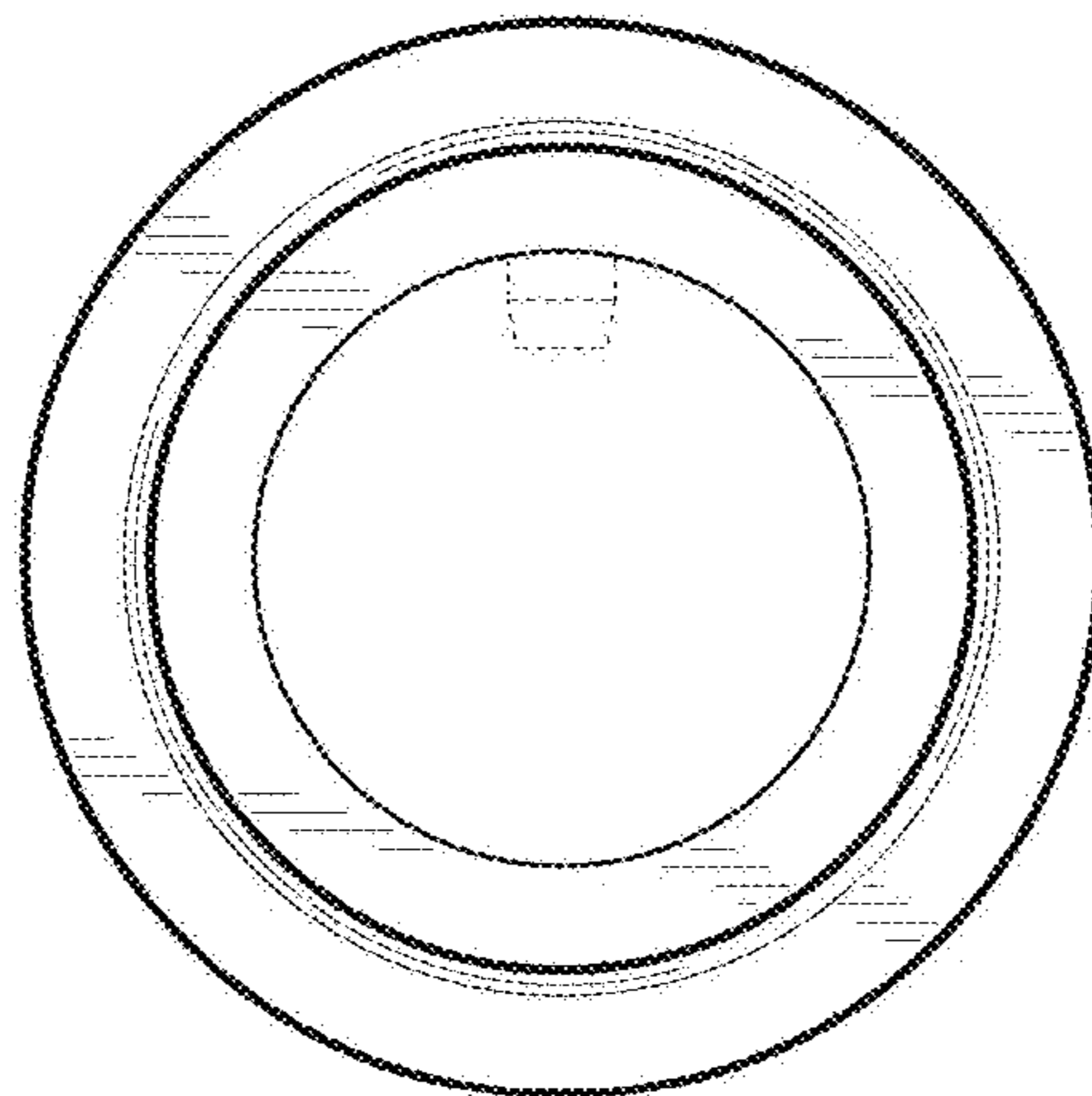


FIG. 6

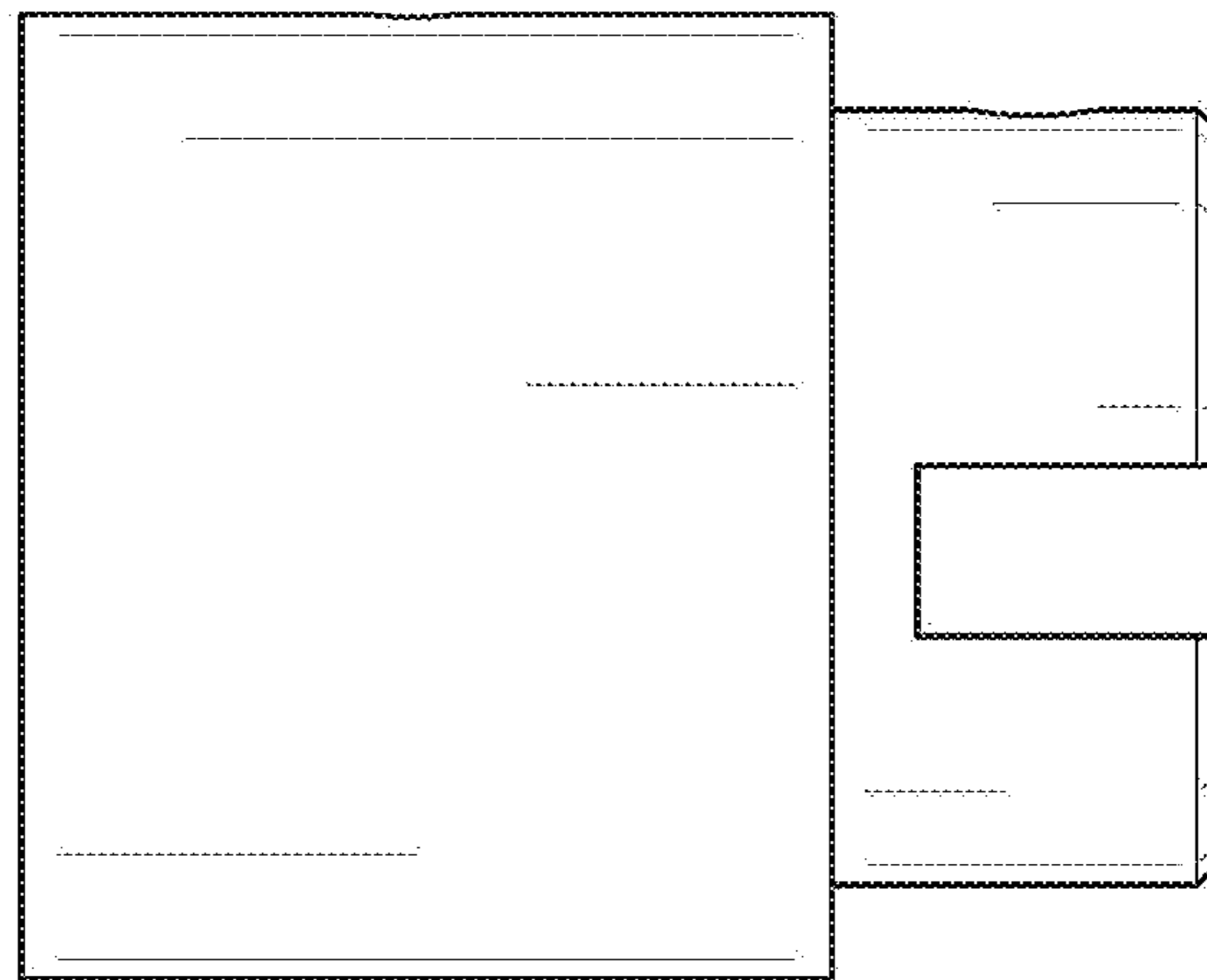


FIG. 7

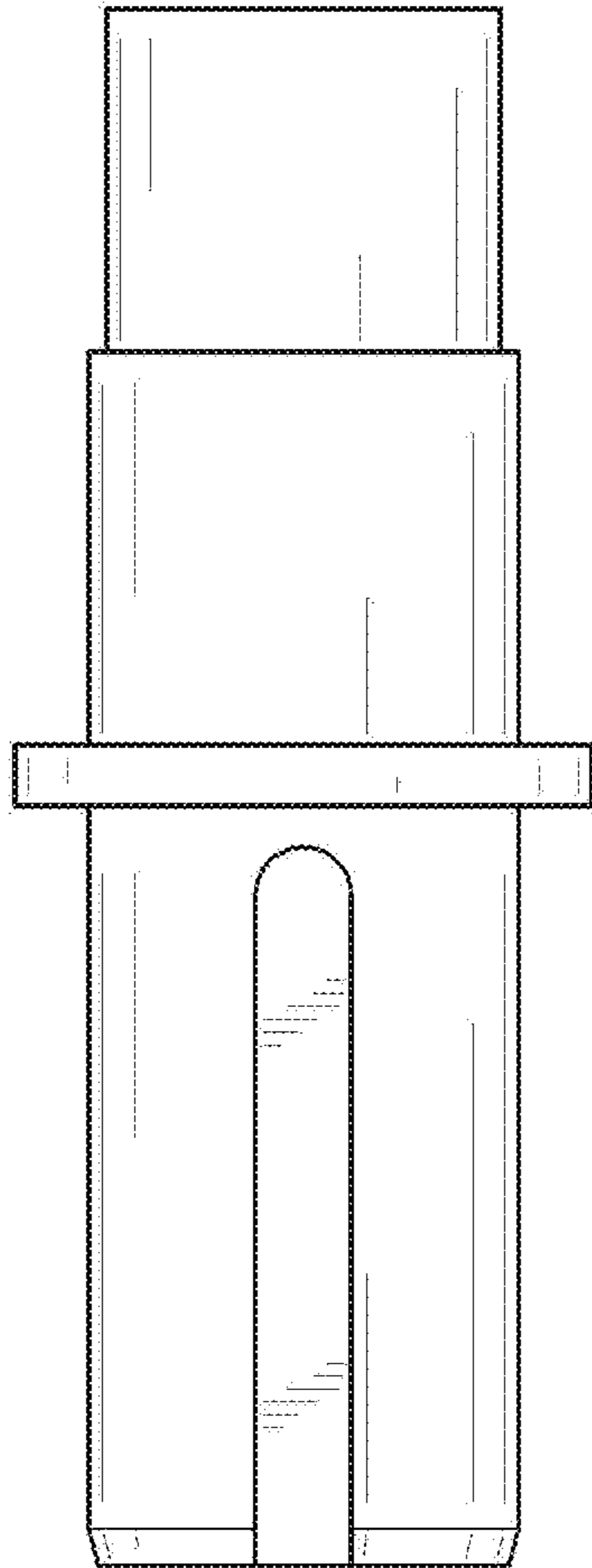


FIG. 8

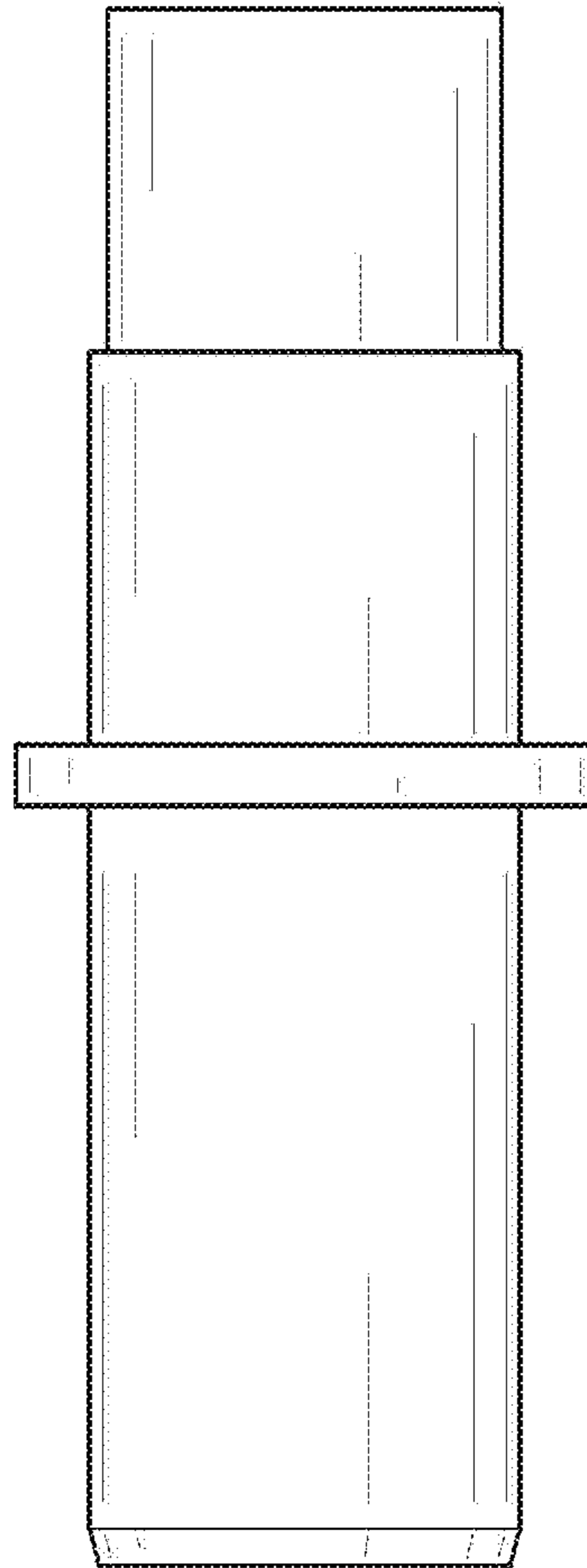


FIG. 9

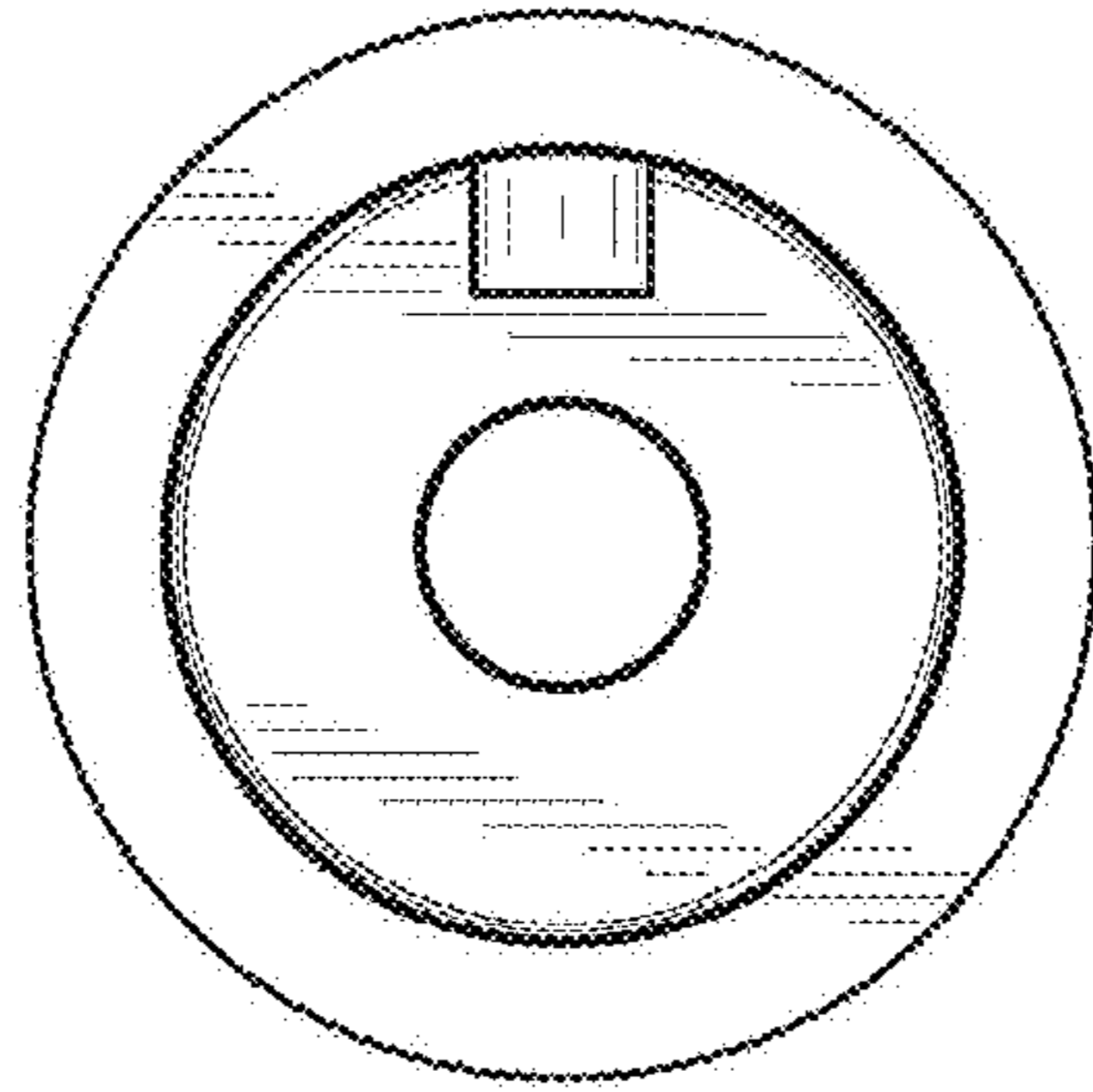


FIG. 10

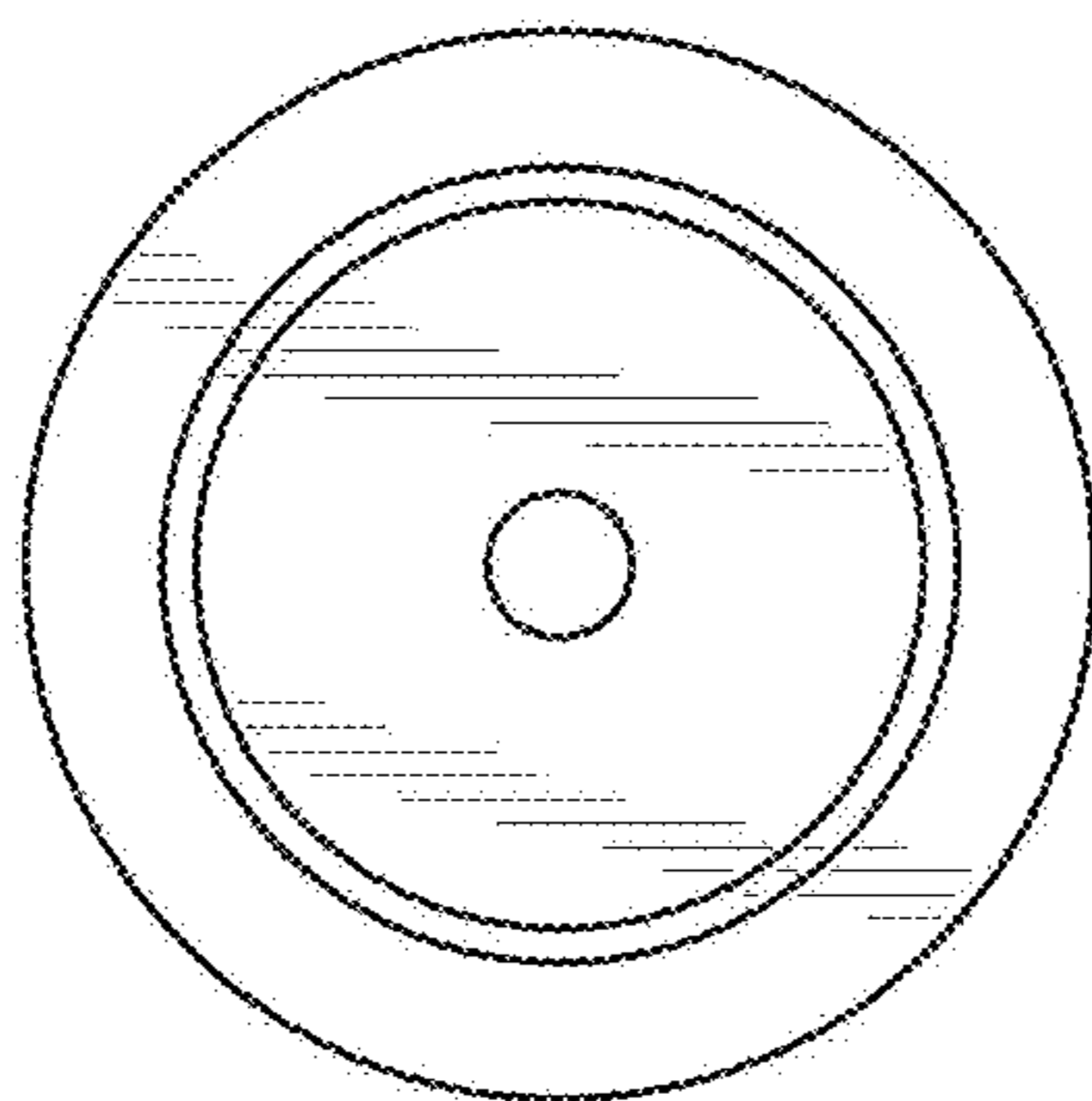


FIG. 11