



US00D976976S

(12) **United States Design Patent** (10) **Patent No.:** **US D976,976 S**
Fountain et al. (45) **Date of Patent:** **** Jan. 31, 2023**

(54) **MOBILE AUTOMATION APPARATUS**

(71) Applicant: **ZEBRA TECHNOLOGIES CORPORATION**, Lincolnshire, IL (US)

(72) Inventors: **Mark Thomas Fountain**, London (GB); **JaeHo Choi**, Whitestone, NY (US); **Benjamin H. Stibal**, Patchogue, NY (US); **Jin Namkung**, Port Washington, NY (US); **Sunghun Lim**, Bethpage, NY (US)

(73) Assignee: **Zebra Technologies Corporation**, Lincolnshire, IL (US)

(**) Term: **15 Years**

(21) Appl. No.: **29/716,349**

(22) Filed: **Dec. 9, 2019**

(51) **LOC (14) Cl.** **15-99**

(52) **U.S. Cl.**
USPC **D15/199**

(58) **Field of Classification Search**
USPC D15/199; D21/578-583, 621, 622;
D32/21; D34/34
CPC B25J 5/007; B25J 11/008; B60B 19/006;
B62D 57/024; Y10S 901/01
See application file for complete search history.

(56) **References Cited**

U.S. PATENT DOCUMENTS

D675,656	S	*	2/2013	Sutherland	D15/199
D735,258	S	*	7/2015	Jang	D15/199
9,174,342	B2	*	11/2015	Pinter	B25J 9/1676
9,776,327	B2	*	10/2017	Pinter	G16H 40/67
D811,458	S	*	2/2018	Wang	D15/199
D817,375	S	*	5/2018	Deyle	D15/199
D841,067	S	*	2/2019	Camporesi	D15/199
D849,813	S	*	5/2019	Sutherland	D15/199

D855,673	S	*	8/2019	Sutherland	D15/199
D857,073	S	*	8/2019	Gayne	D15/199
D859,485	S	*	9/2019	Sutherland	D15/199
D872,788	S	*	1/2020	Sutherland	D15/199
D877,786	S	*	3/2020	Gayne	D15/199
D884,043	S	*	5/2020	Song	D15/199
D908,151	S	*	1/2021	Song	D15/199
D913,349	S	*	3/2021	Yao	D15/199
D915,486	S	*	4/2021	Gidwell	D15/199
D917,591	S	*	4/2021	Xiao	D15/199
D919,687	S	*	5/2021	Song	D15/199

(Continued)

OTHER PUBLICATIONS

Badger Technologies, "Badger Technologies Introduces PatrolBot Autonomous Robot for Security Guard Industry", pp. 1-4, Jun. 29, 2020, retrieved from the internet on Jun. 2, 2022. [<https://www.badger-technologies.com/news/press-releases/badger-technologies-introduces-patrolbot.html>].

(Continued)

Primary Examiner — Patricia A Palasik

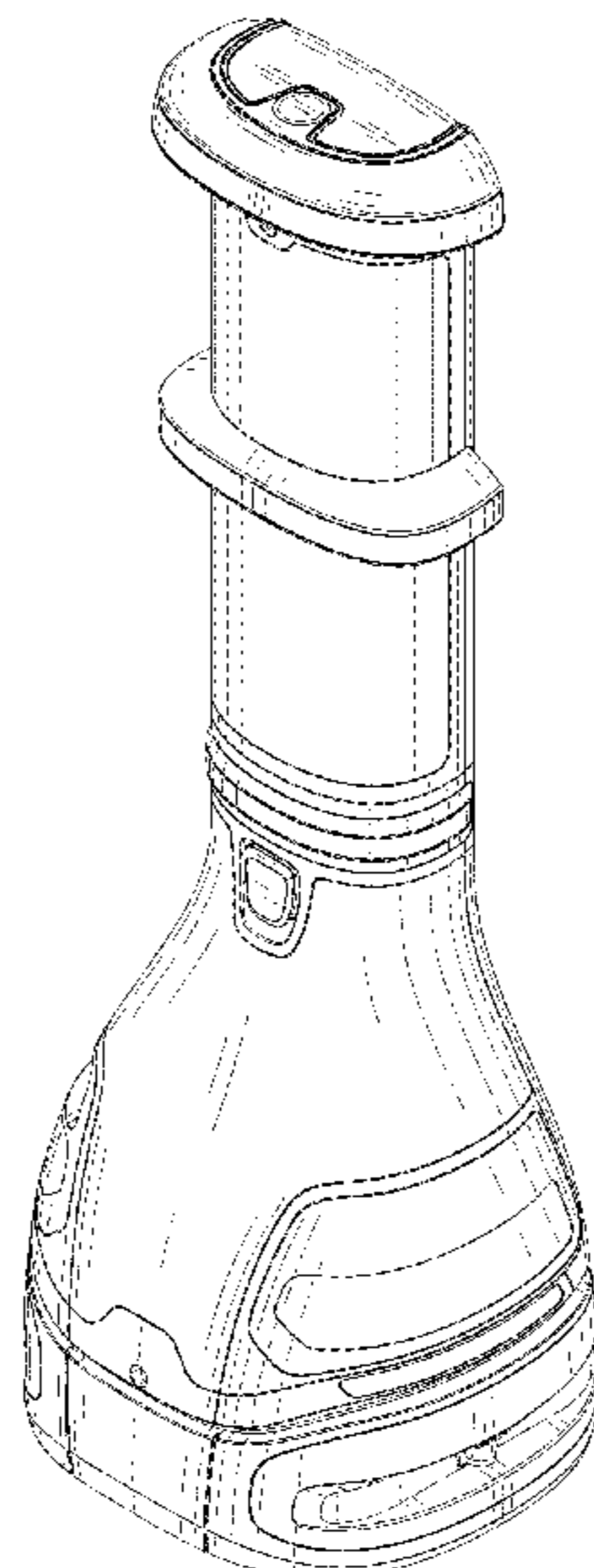
(57) **CLAIM**

We claim the ornamental design for a mobile automation apparatus, as shown and described.

DESCRIPTION

FIG. 1 is a first perspective view of an example mobile apparatus;
FIG. 2 is a second perspective view thereof;
FIG. 3 is a front view thereof;
FIG. 4 is a back view thereof;
FIG. 5 is a first side view thereof;
FIG. 6 is a second side view thereof;
FIG. 7 is a top view thereof; and,
FIG. 8 is a bottom view thereof.
The broken lines of depict portions of the mobile automation apparatus and form no part of the claimed design.

1 Claim, 7 Drawing Sheets



(56)

References Cited

U.S. PATENT DOCUMENTS

D920,411 S * 5/2021 Zheng D15/199
D921,080 S * 6/2021 Chen D15/199

OTHER PUBLICATIONS

TribLive, "Giant Eagle to introduce shelf-scanning robots", pp. 1-12, Apr. 10, 2019, retried from the internet on Jun. 2, 2022. [<https://triblive.com/local/westmoreland/giant-eagle-to-introduce-shelf-scanning-robots/>].

The RobotReport, "Tally Trials begin in Giant Eagle Stores, as Simbe aims inventory robot at global grocers", pp. 1-12. Apr. 29, 2019, retrieved from the internet on Jun. 2, 2022. [<https://www.therobotreport.com/tally-trials-giant-eagle-simbe-inventory-grocers/>].

"Say Hello to Tally 3.0" Simbe. Retrieved Sep. 12, 2022, from <https://wimberobotics.com/platform/tally>.

* cited by examiner

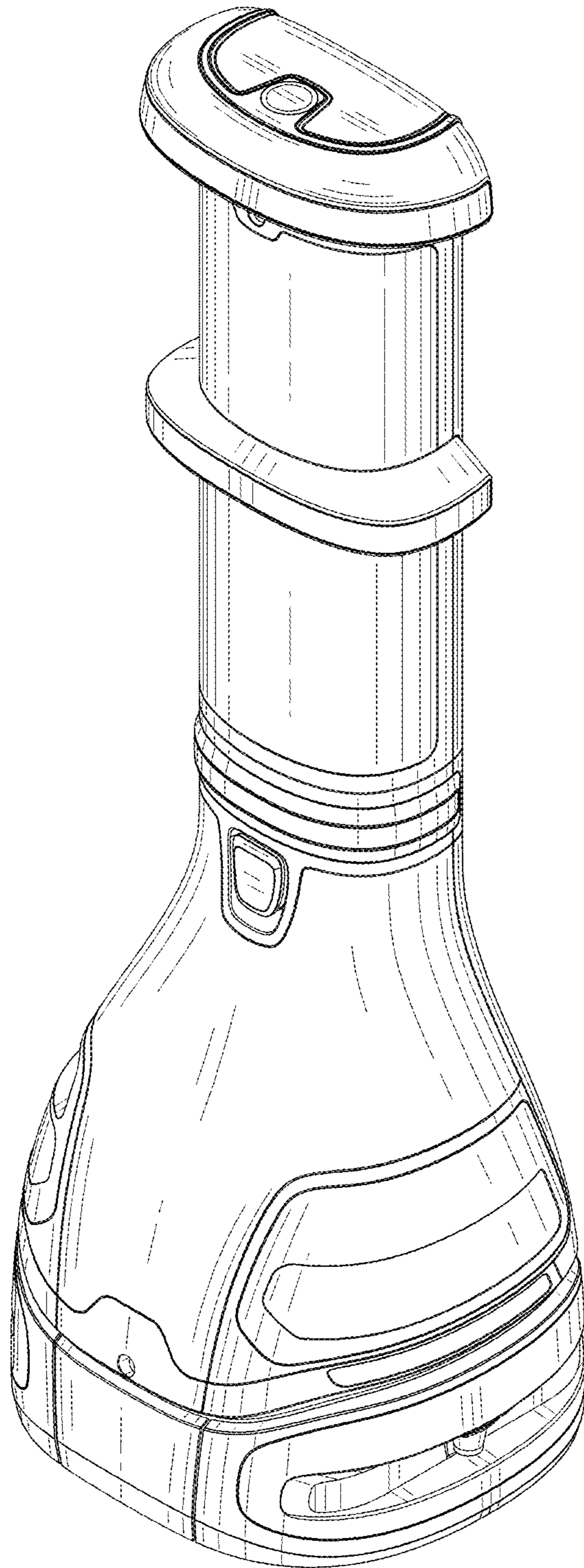


FIG. 1

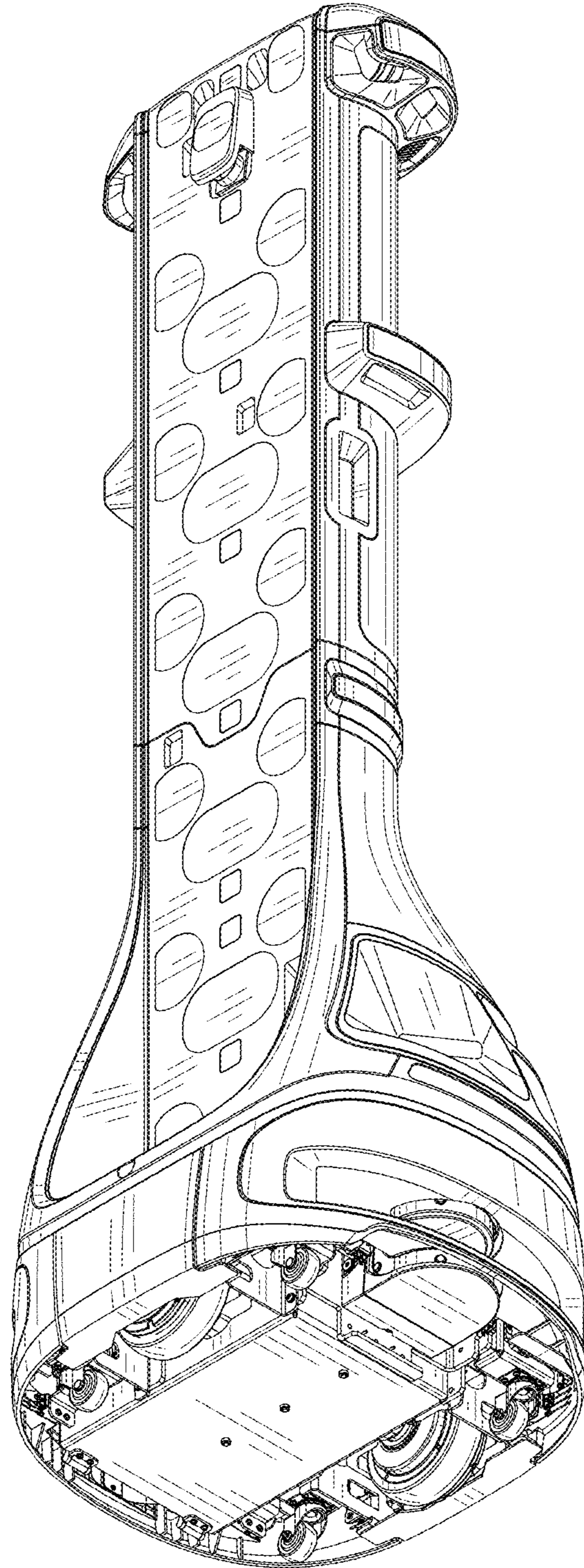


FIG. 2

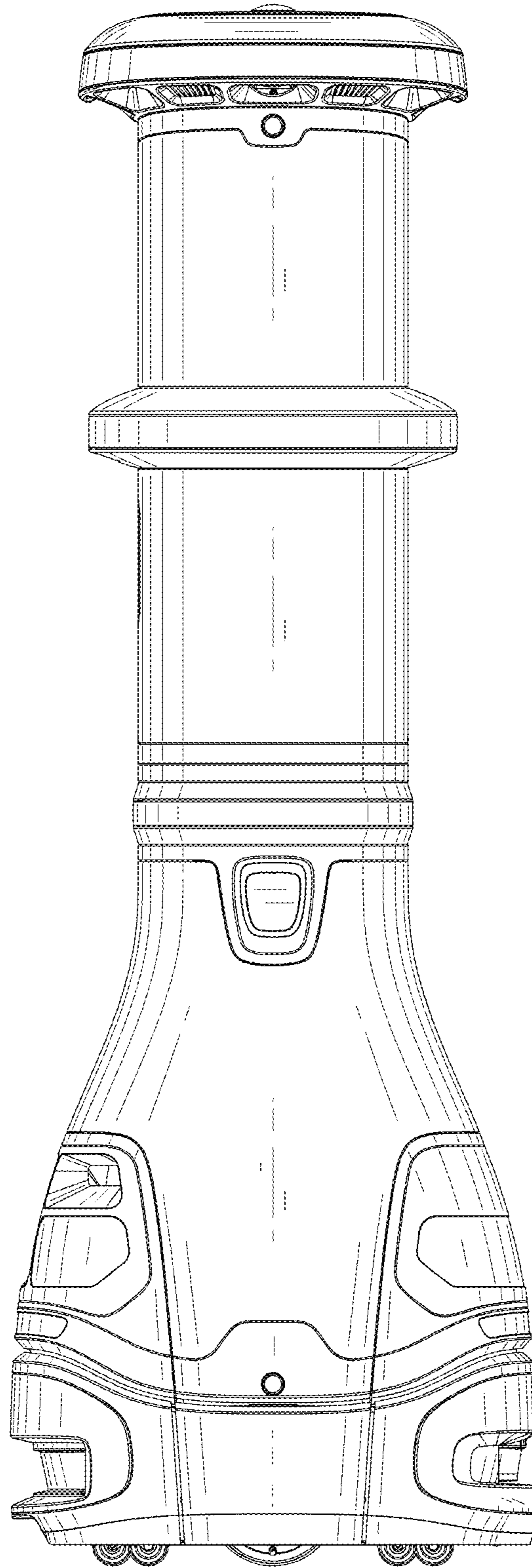


FIG. 3

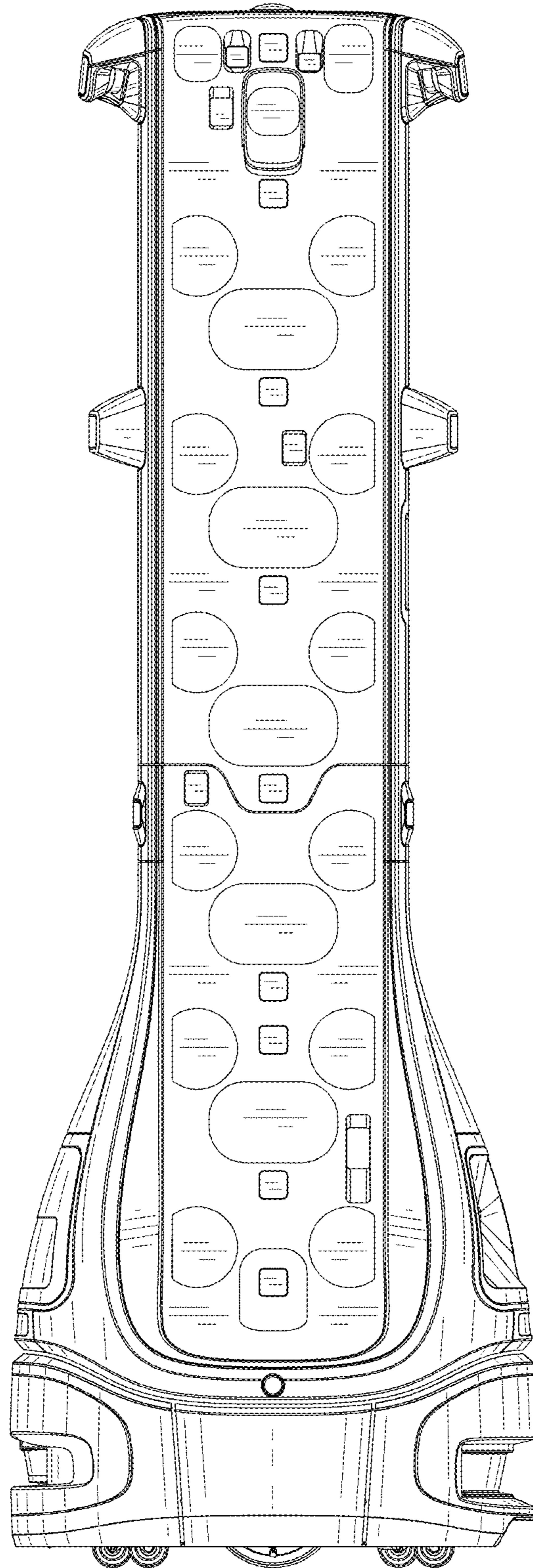


FIG. 4

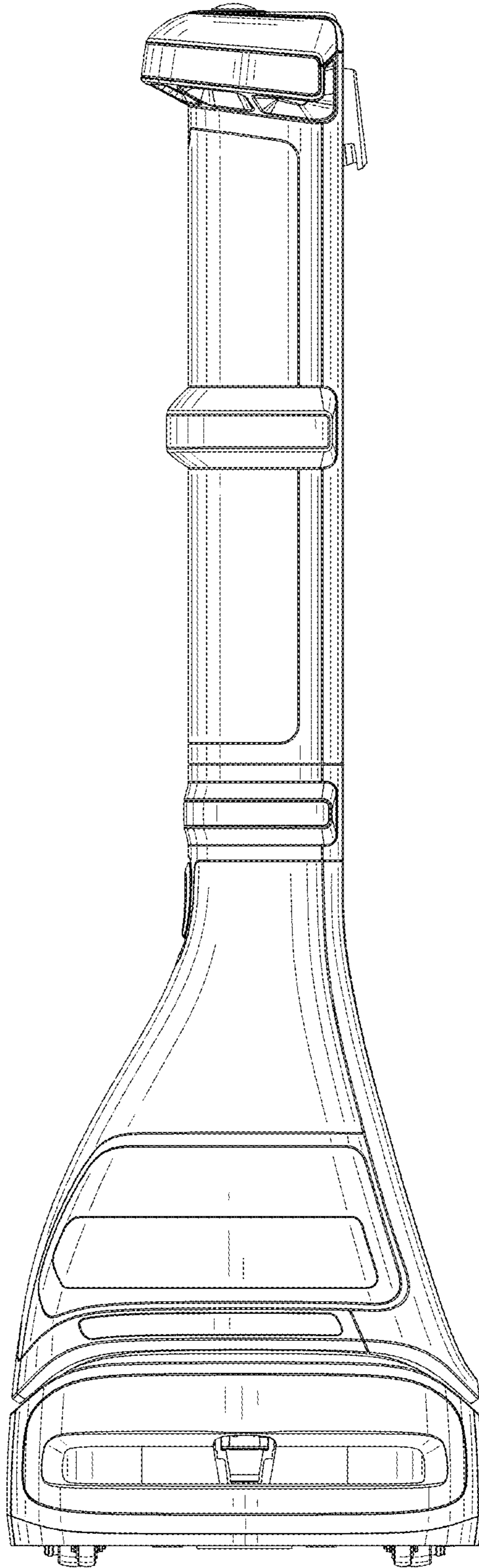


FIG. 5

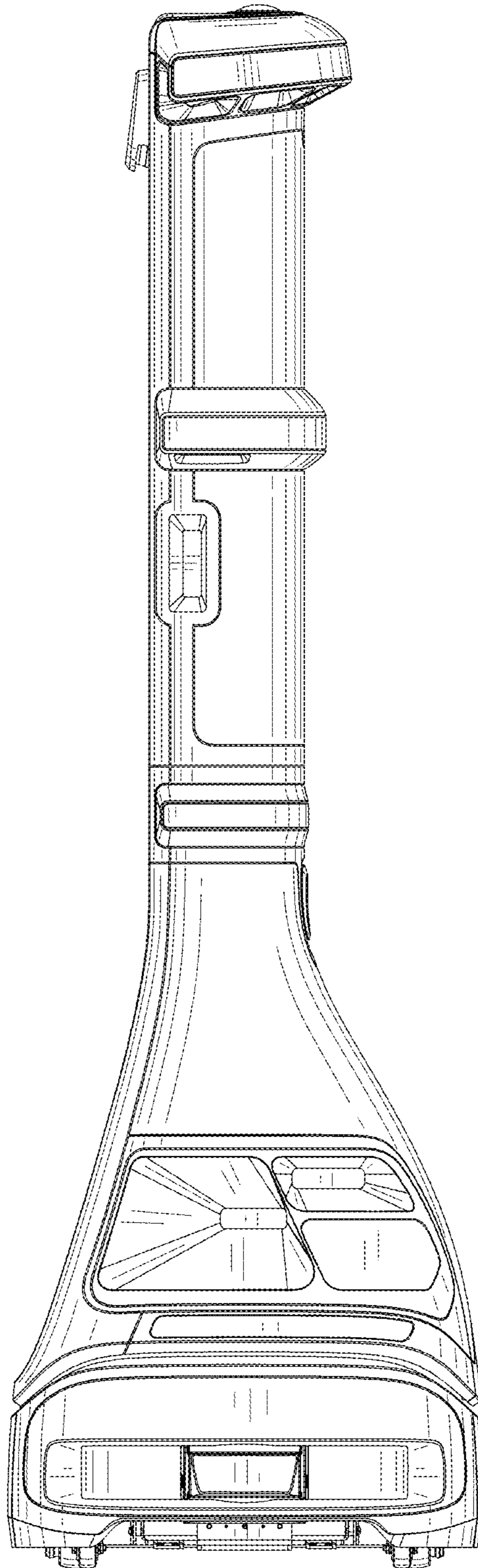


FIG. 6

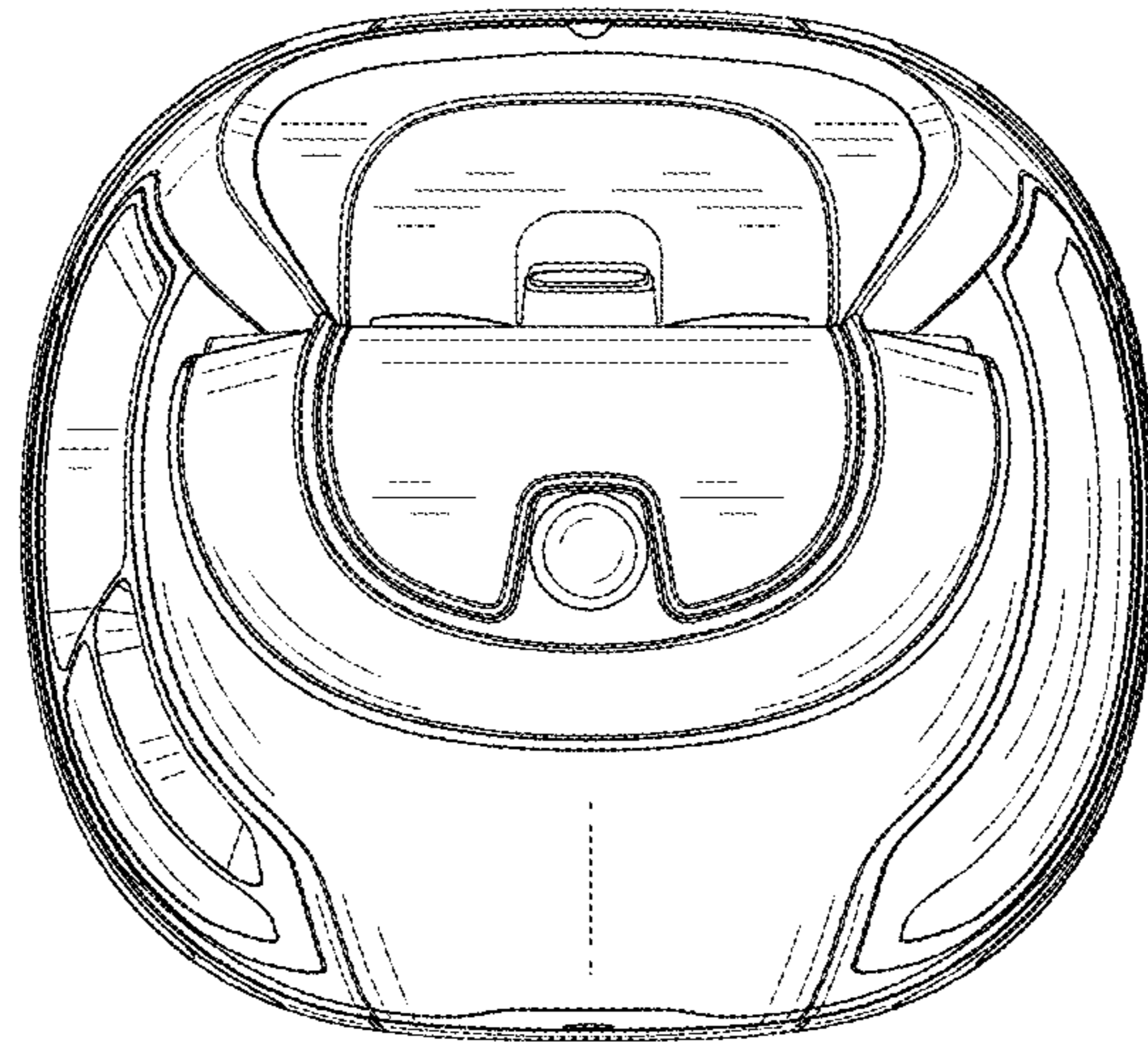


FIG. 7

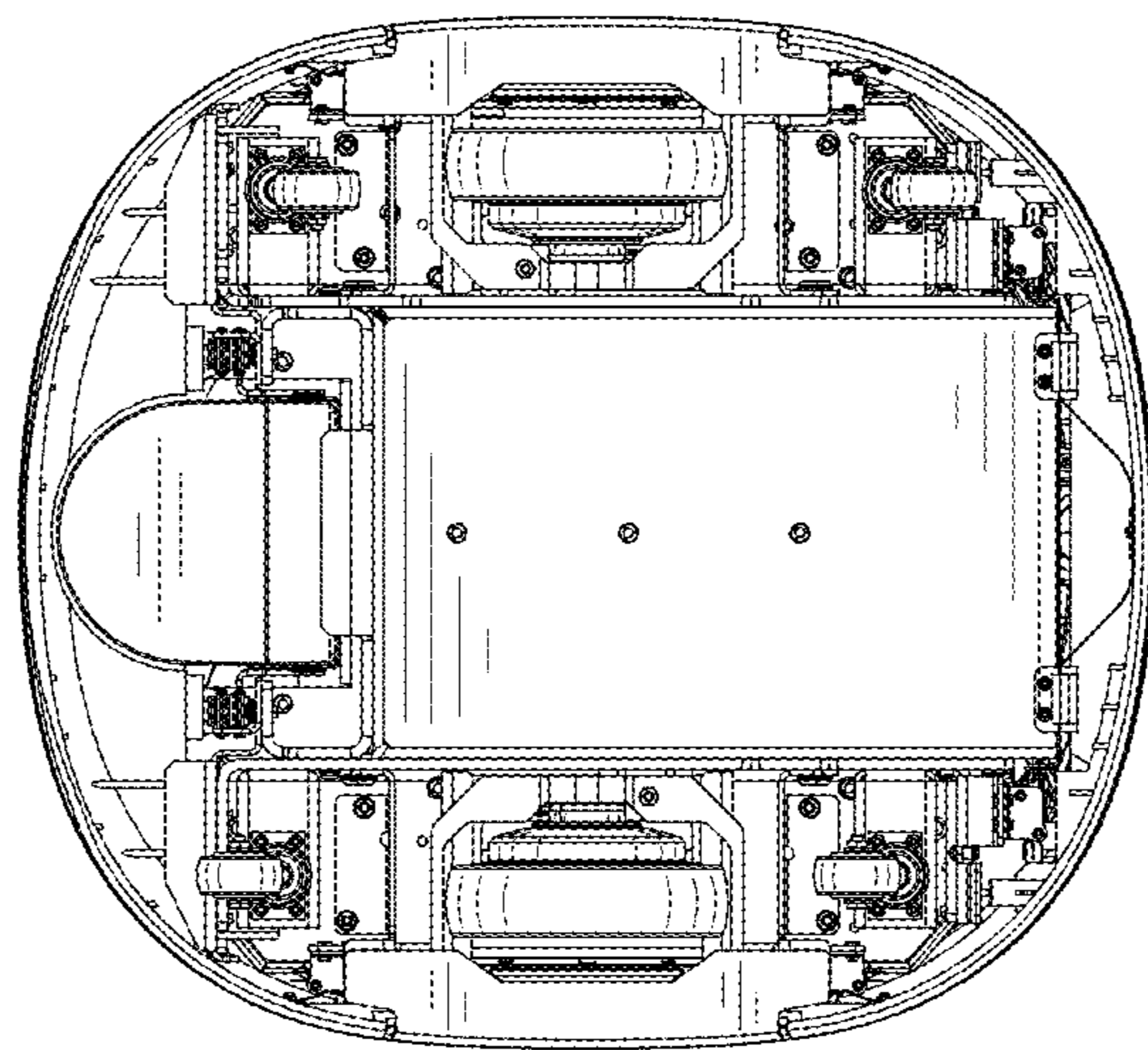


FIG. 8