



US00D976975S

(12) **United States Design Patent**
Cao

(10) **Patent No.:** **US D976,975 S**
(45) **Date of Patent:** **** Jan. 31, 2023**

(54) **HAND-HELD WEIGHABLE SEALING MACHINE**

(71) Applicant: **Chuanqing Cao**, Hunan (CN)

(72) Inventor: **Chuanqing Cao**, Hunan (CN)

(**) Term: **15 Years**

(21) Appl. No.: **29/767,557**

(22) Filed: **Jan. 23, 2021**

(51) **LOC (14) Cl.** **15-10**

(52) **U.S. Cl.**
USPC **D15/146**

(58) **Field of Classification Search**
USPC D15/145, 146; D18/50
CPC B23C 63/0065; B23C 63/0091; B23C
63/1018; B65B 31/046; B65B 31/047;
B65B 31/048; B65B 51/10
See application file for complete search history.

D823,913 S *	7/2018	Chou	D15/146
D845,370 S *	4/2019	Chang	D15/146
D881,245 S *	4/2020	Zheng	D15/146
D910,100 S *	2/2021	Qiu	D15/146
D912,710 S *	3/2021	Choi	D15/146
D912,712 S *	3/2021	Chen	D15/146
D921,730 S *	6/2021	Chen	D15/146
D939,601 S *	12/2021	Wang	D15/146
2006/0254219 A1 *	11/2006	Alipour	B29C 66/8618 53/434
2007/0193915 A1 *	8/2007	Shao	B65D 81/2038 206/524.8
2009/0020230 A1 *	1/2009	Chang	B26B 27/00 156/579
2019/0047733 A1 *	2/2019	Zheng	B65B 51/10

* cited by examiner

Primary Examiner — Patricia A Palasik

(57) **CLAIM**

The ornamental design for a hand-held weighable sealing machine, as shown and described.

DESCRIPTION

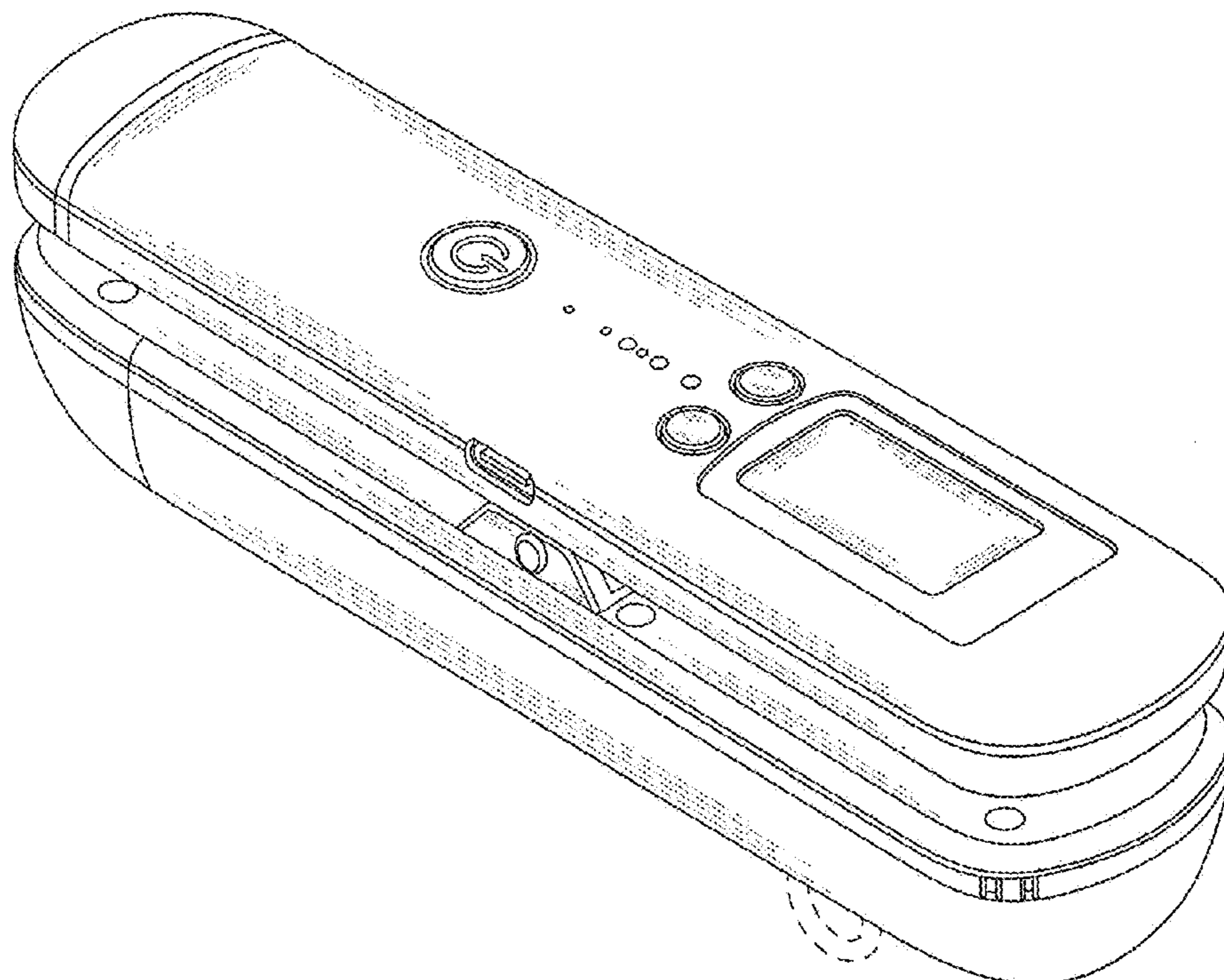
FIG. 1 is a perspective view of a hand-held weighable sealing machine showing my new design; FIG. 2 is a front elevation view thereof; FIG. 3 is a rear elevation view thereof; FIG. 4 is a left side elevation view thereof; FIG. 5 is a right side elevation view thereof; FIG. 6 is a top plan view thereof; and, FIG. 7 is a bottom plan view thereof. The broken lines in the drawings depict portions of the laminator machine and form no part of the claimed design.

1 Claim, 7 Drawing Sheets

(56) **References Cited**

U.S. PATENT DOCUMENTS

D302,102 S *	7/1989	Amagaya	D8/105
5,352,323 A *	10/1994	Chi	B65B 51/148 156/583.9
7,003,928 B2 *	2/2006	Patterson	B65B 31/06 53/405
D579,034 S *	10/2008	Chang	D15/146
D593,813 S *	6/2009	Yu	D7/629
D602,966 S *	10/2009	Kiple	D15/146
D686,649 S *	7/2013	Zhou	D15/146
D763,334 S *	8/2016	Yoshitomi	D15/146
D812,662 S *	3/2018	Chang	D15/146
9,937,661 B2 *	4/2018	Chang	B29C 66/43121



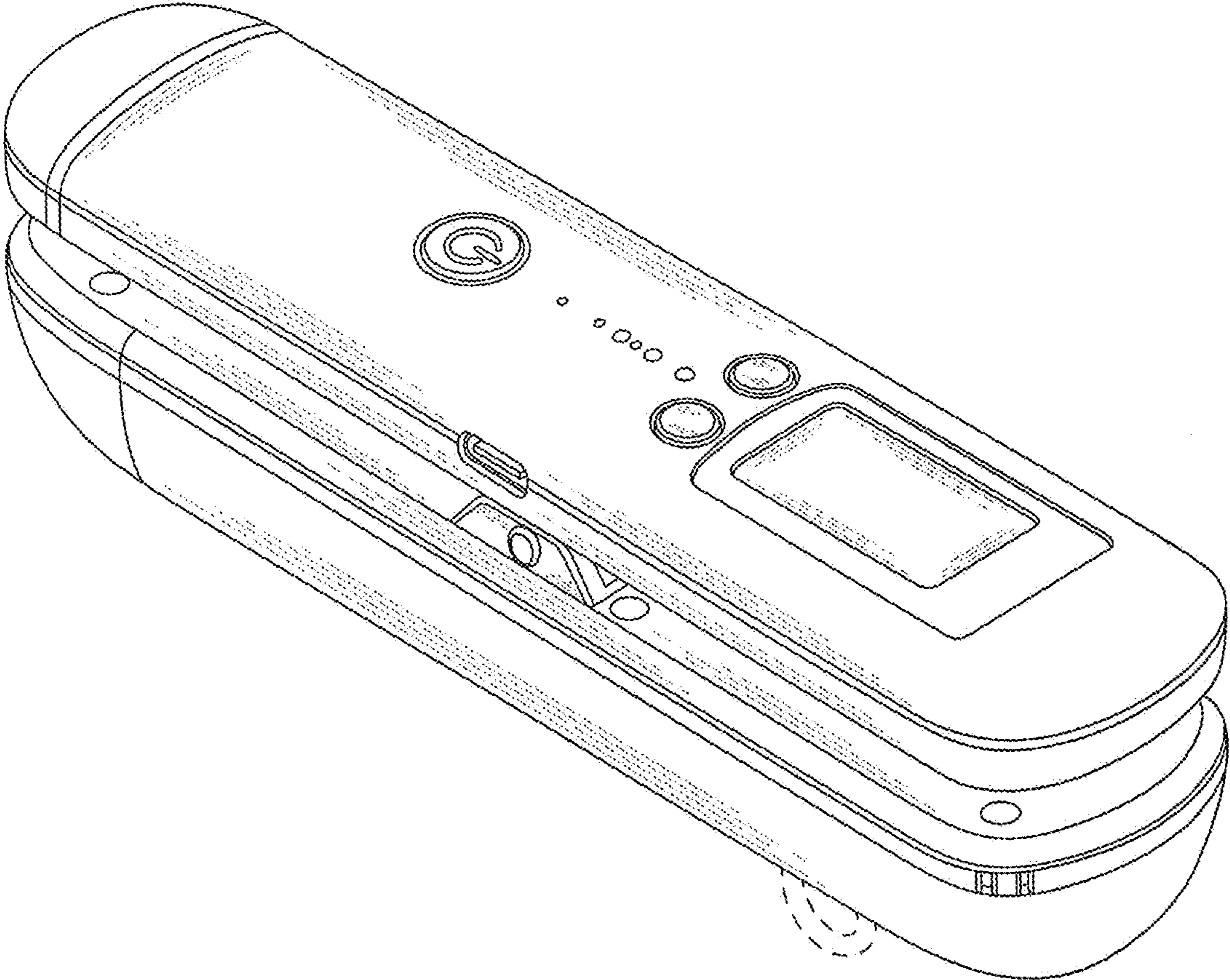


FIG. 1

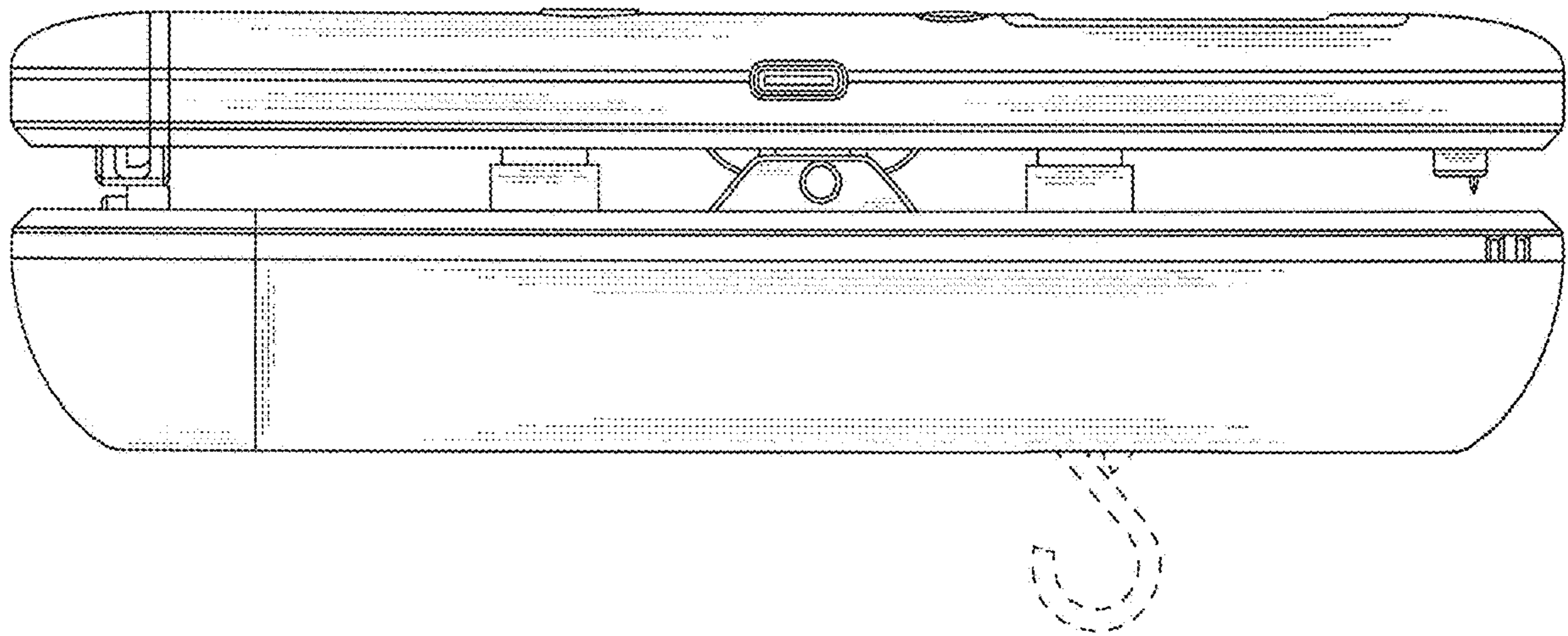


FIG. 2

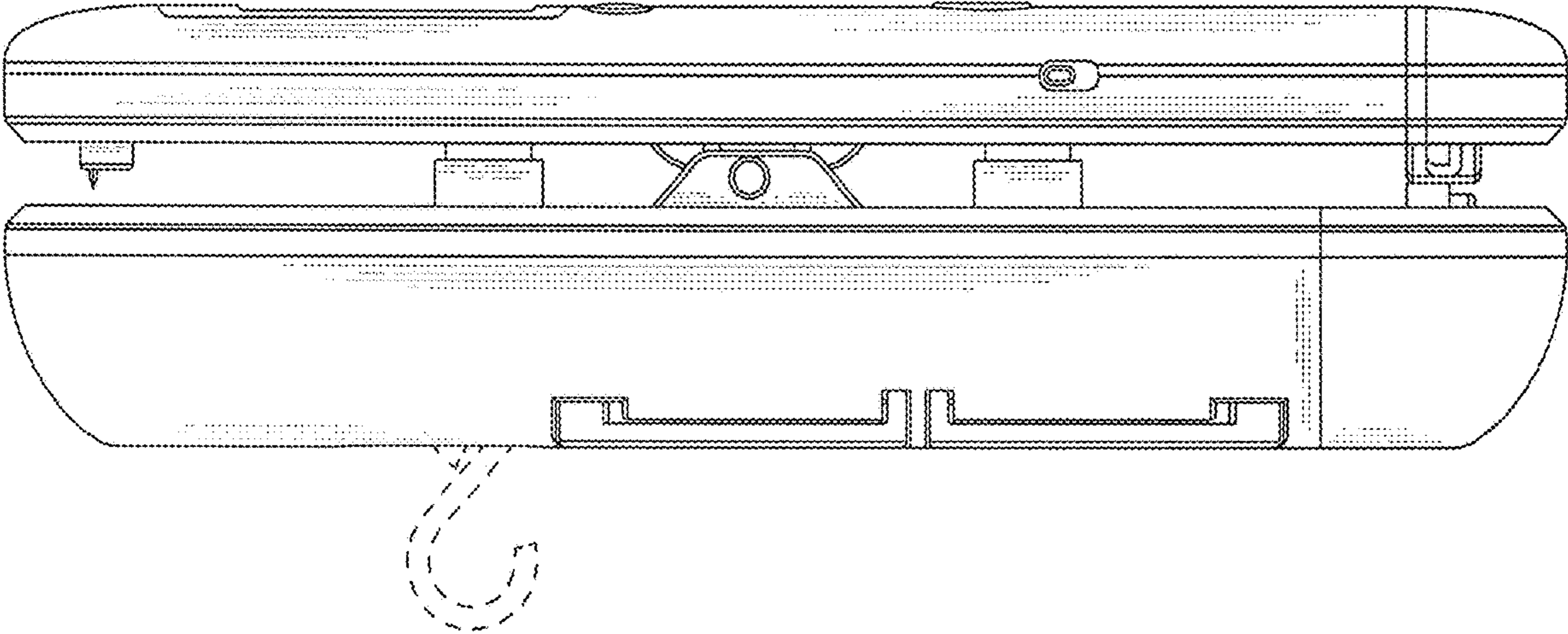


FIG. 3

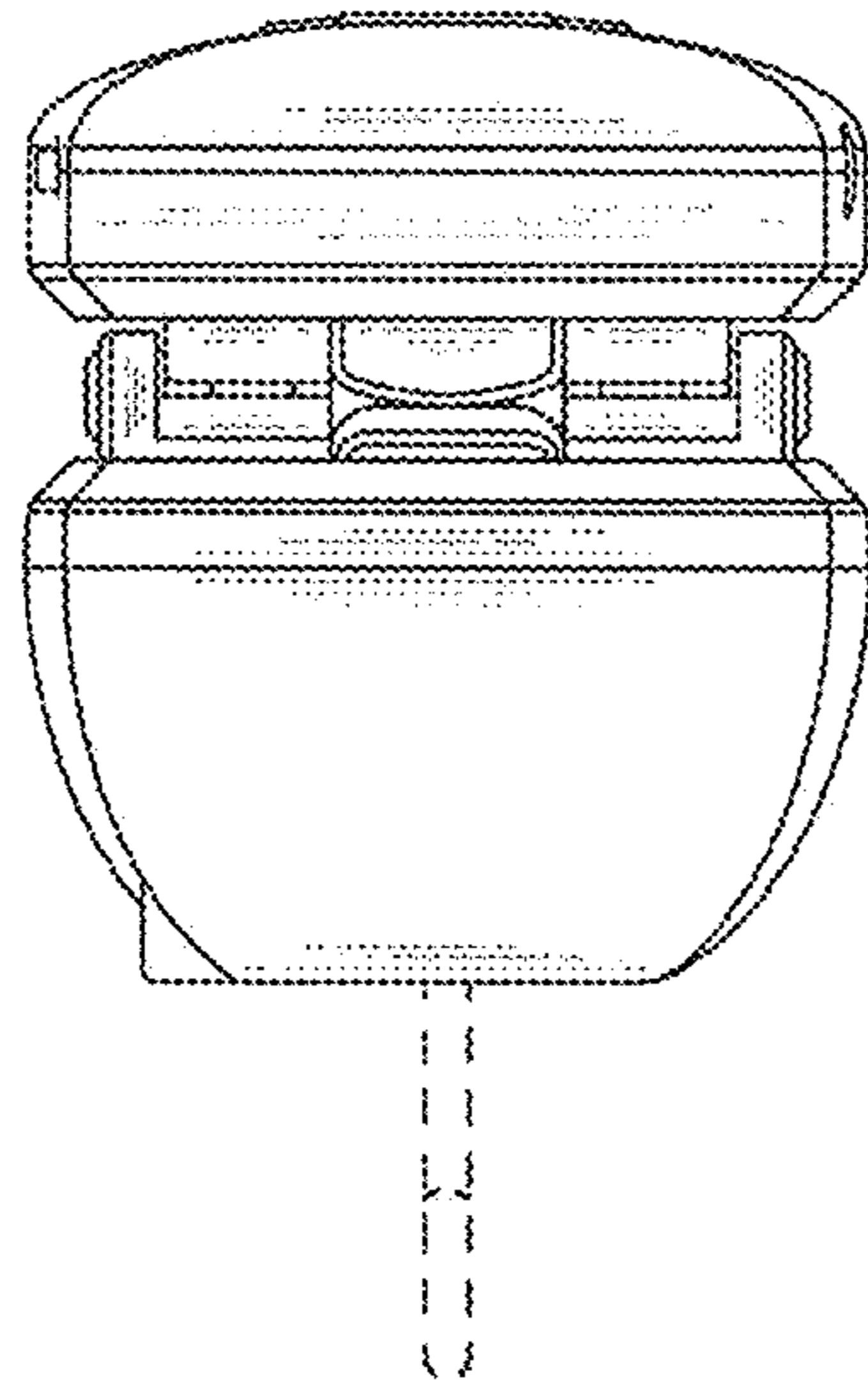


FIG. 4

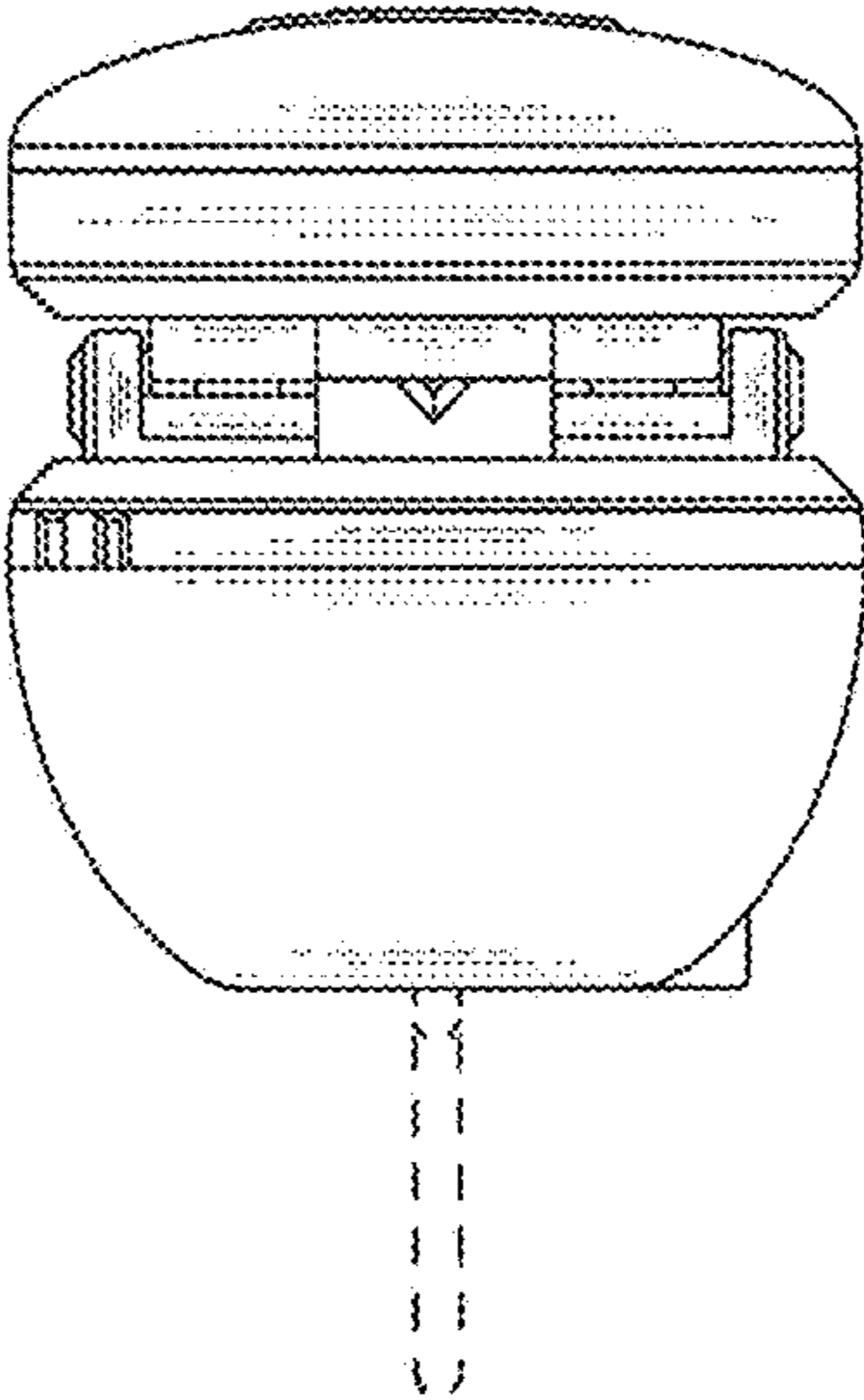


FIG. 5

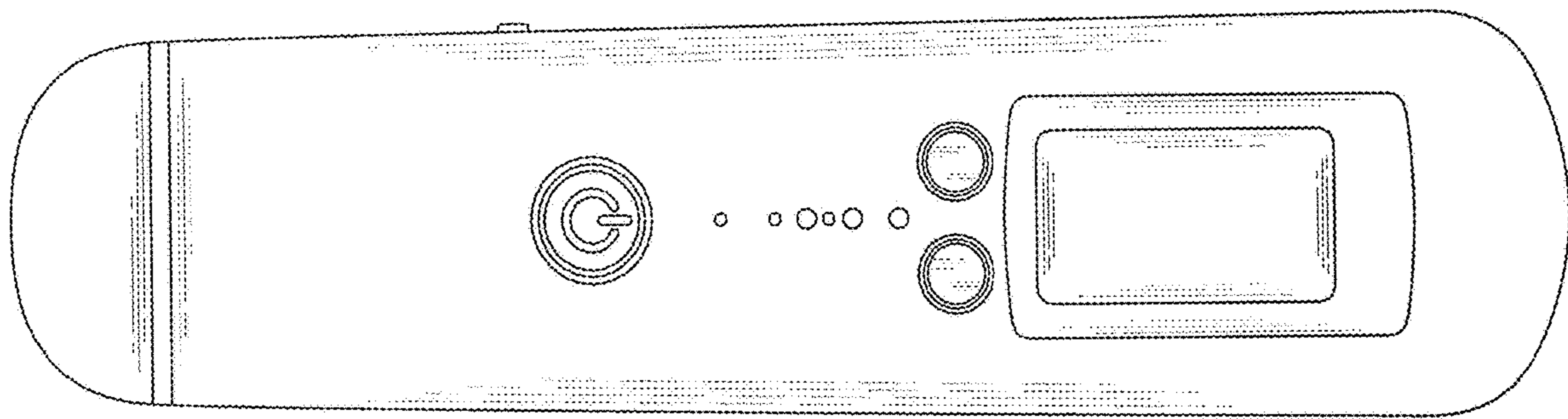


FIG. 6

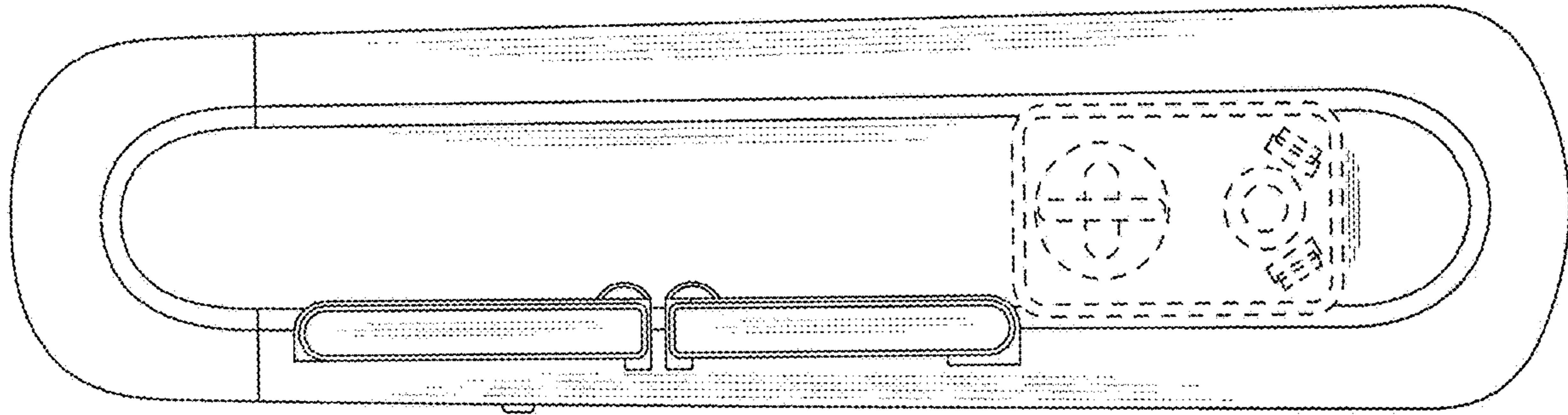


FIG. 7