

US00D976973S

(12) **United States Design Patent** (10) **Patent No.:** **US D976,973 S**
Le Roux et al. (45) **Date of Patent:** **** Jan. 31, 2023**

(54) **PRINTING TOWER SYSTEM**

FOREIGN PATENT DOCUMENTS

(71) Applicant: **Icon Technology, Inc.**, Austin, TX (US)

CN 303181668 * 4/2015
CN 304081196 * 3/2017

(72) Inventors: **Alex Le Roux**, Austin, TX (US);
Henry Wang, Austin, TX (US);
Nathan Wang, Austin, TX (US)

OTHER PUBLICATIONS

(73) Assignee: **ICON TECHNOLOGY, INC.**, Austin, TX (US)

Vulcan Icon 3D printer, Instagram, date published Nov. 2, 2019, date retrieved Jul. 9, 2022—29773039-https://www.instagram.com/p/B4YVgcZlg-1/(Year: 2019).*

(Continued)

(**) Term: **15 Years**

Primary Examiner — Jennifer L Rempfer

(21) Appl. No.: **29/773,039**

Assistant Examiner — Danielle Nichole Bowly

(22) Filed: **Mar. 5, 2021**

(74) *Attorney, Agent, or Firm* — Kokka & Backus, PC

(51) **LOC (14) Cl.** **15-09**

(57) **CLAIM**

(52) **U.S. Cl.**

The ornamental design for a printing tower system, as shown and described herein.

USPC **D15/135**

DESCRIPTION

(58) **Field of Classification Search**

USPC D18/40, 43, 46, 47, 48, 53, 54, 55, 56;
D15/122, 135, 138; D14/314, 432

CPC . G06T 2207/30196; G06T 2207/30242; G06T
7/70; G06F 3/126; G06F 3/1284

See application file for complete search history.

FIG. 1 illustrates a front, right, perspective view of a printing tower system, of the invention.

FIG. 2 illustrates a front view of the printing tower system shown in FIG. 1.

FIG. 3 illustrates a rear view of the printing tower system shown in FIG. 1.

FIG. 4 illustrates a left side view of the printing tower system shown in FIG. 1.

FIG. 5 illustrates a right side view of the printing tower system shown in FIG. 1.

FIG. 6 illustrates a top view of the printing tower system shown in FIG. 1; and,

FIG. 7 illustrates a bottom view of the printing tower system shown in FIG. 1.

The ornamental design that is claimed is shown in solid lines in the drawings. The broken lines shown in the drawings represent portions of the printer tower system that form no part of the claimed design.

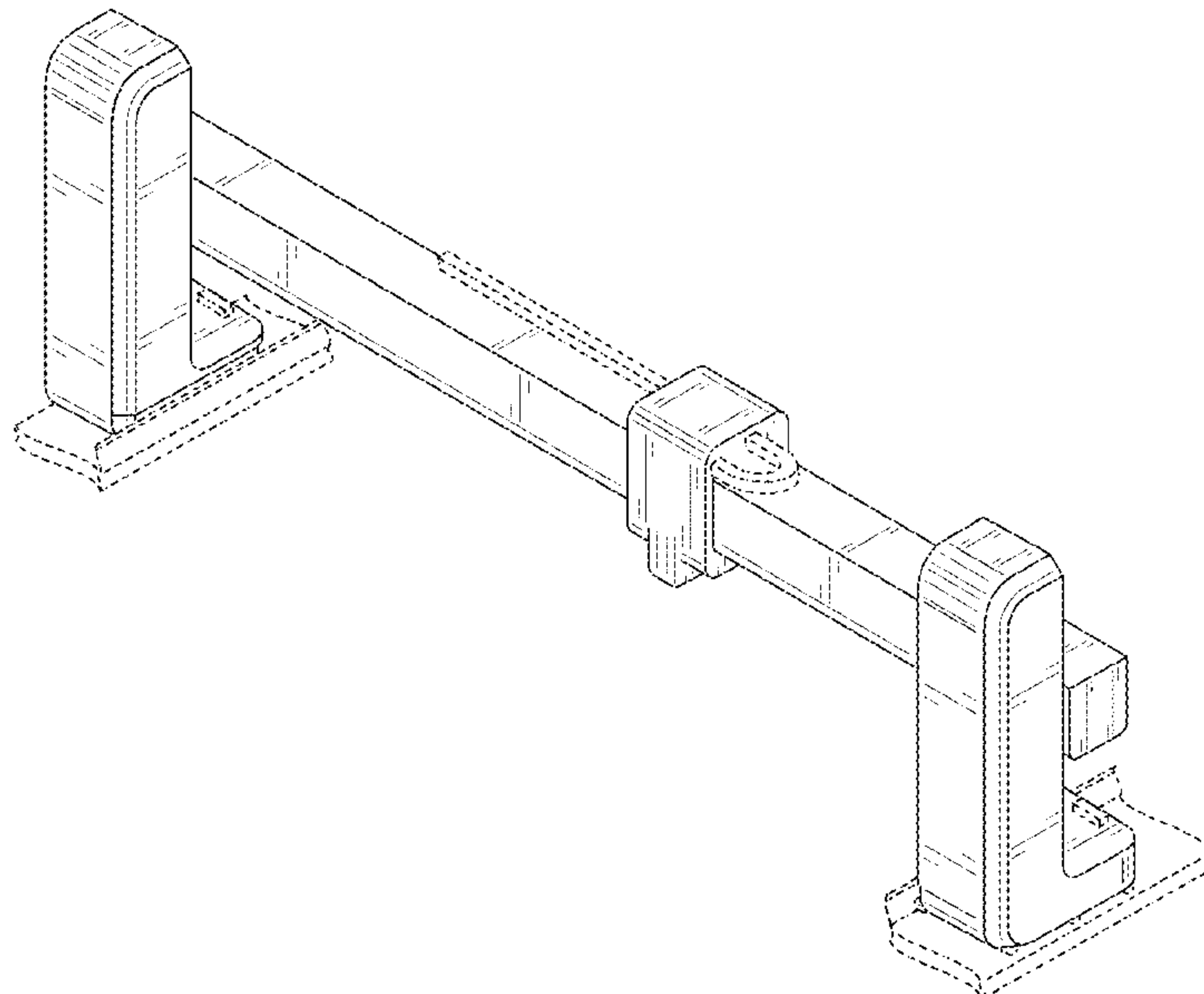
(56) **References Cited**

U.S. PATENT DOCUMENTS

D693,401 S *	11/2013	Landa	D18/53
D757,170 S *	5/2016	Rafa	D18/53
D846,634 S *	4/2019	Chang	D18/50
10,597,289 B1 *	3/2020	Woolley	B81C 1/00119
D899,471 S *	10/2020	Liu	D15/122
D920,406 S *	5/2021	Longo	D15/145
D933,723 S *	10/2021	Chen	D15/122
2005/0062807 A1 *	3/2005	Ito	B41J 2/14209 347/72
2016/0107384 A1 *	4/2016	Enache	B29C 64/118 425/375

(Continued)

1 Claim, 7 Drawing Sheets



(56)

References Cited

U.S. PATENT DOCUMENTS

2016/0136886 A1* 5/2016 Jeong B25J 9/023
425/375
2016/0303807 A1* 10/2016 Diamante B33Y 40/00
2018/0043628 A1* 2/2018 Nadeau B33Y 40/00
2018/0079150 A1* 3/2018 Ho B33Y 50/02
2018/0169894 A1* 6/2018 Höchsmann B22F 12/84
2018/0186096 A1* 7/2018 Huang B33Y 50/00
2018/0304552 A1* 10/2018 Lee B33Y 10/00
2018/0311895 A1* 11/2018 Budmen A23P 30/20
2019/0061239 A1* 2/2019 Liu B33Y 30/00
2020/0353683 A1* 11/2020 Yang B33Y 10/00
2021/0206074 A1* 7/2021 Lee B29C 64/118
2022/0193996 A1* 6/2022 Durand B29C 64/25

OTHER PUBLICATIONS

Vulcan Icon 3D printer, YouTube, date published Apr. 19, 2019, date
retrieved Jul. 9, 2022—29773039-[https://www.youtube.com/watch?
v=kcZT_BUIxZM](https://www.youtube.com/watch?v=kcZT_BUIxZM) (Year: 2019).*

* cited by examiner

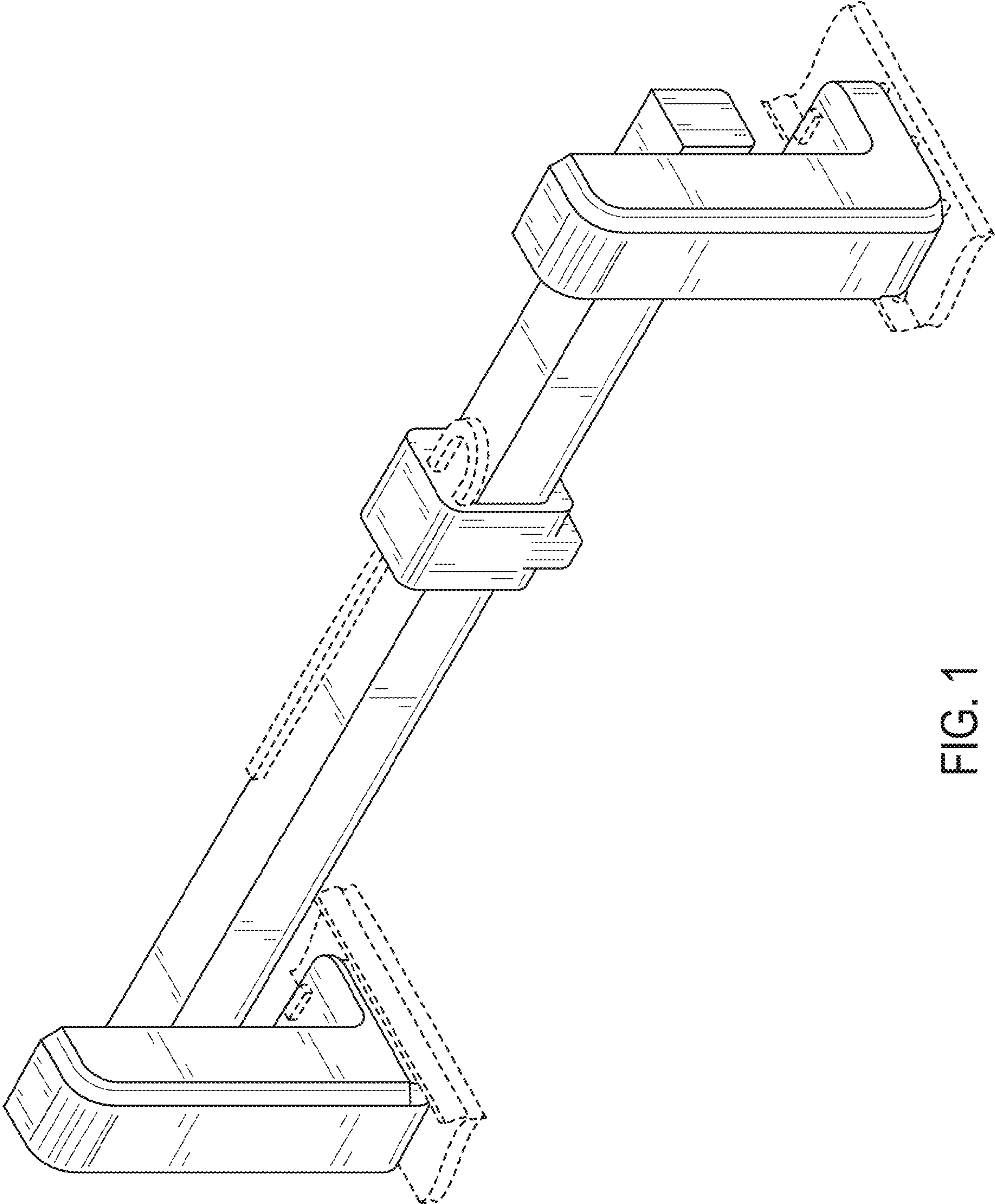


FIG. 1

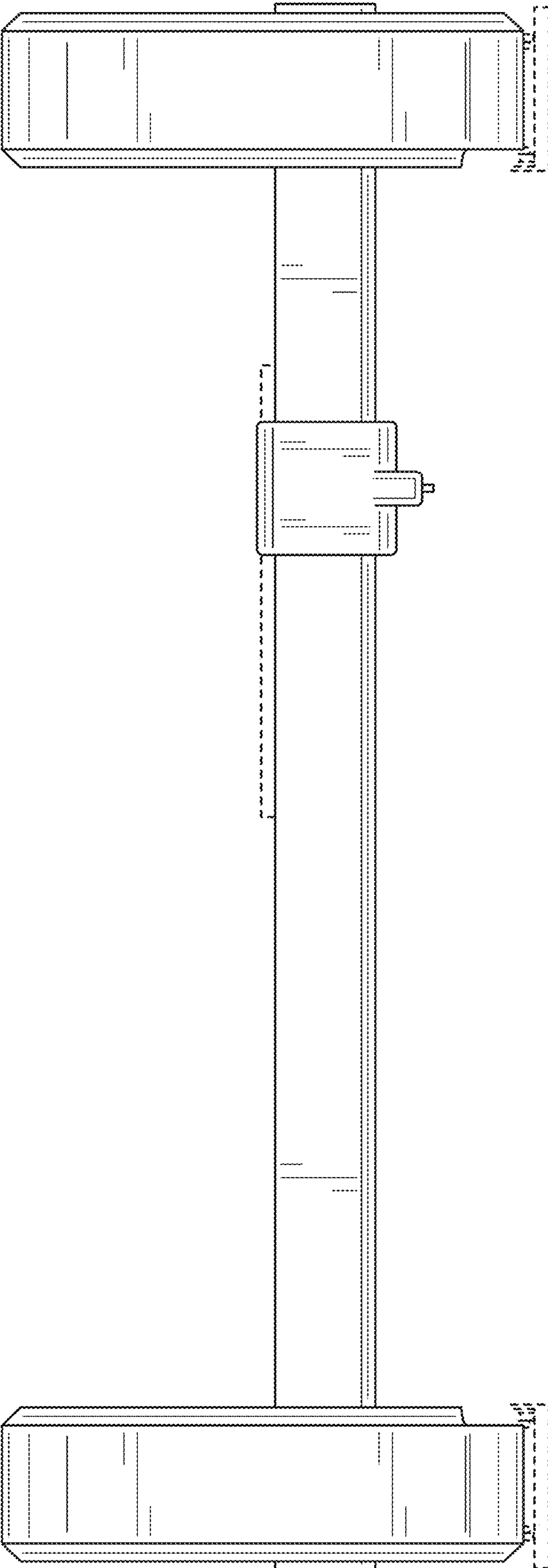


FIG. 2

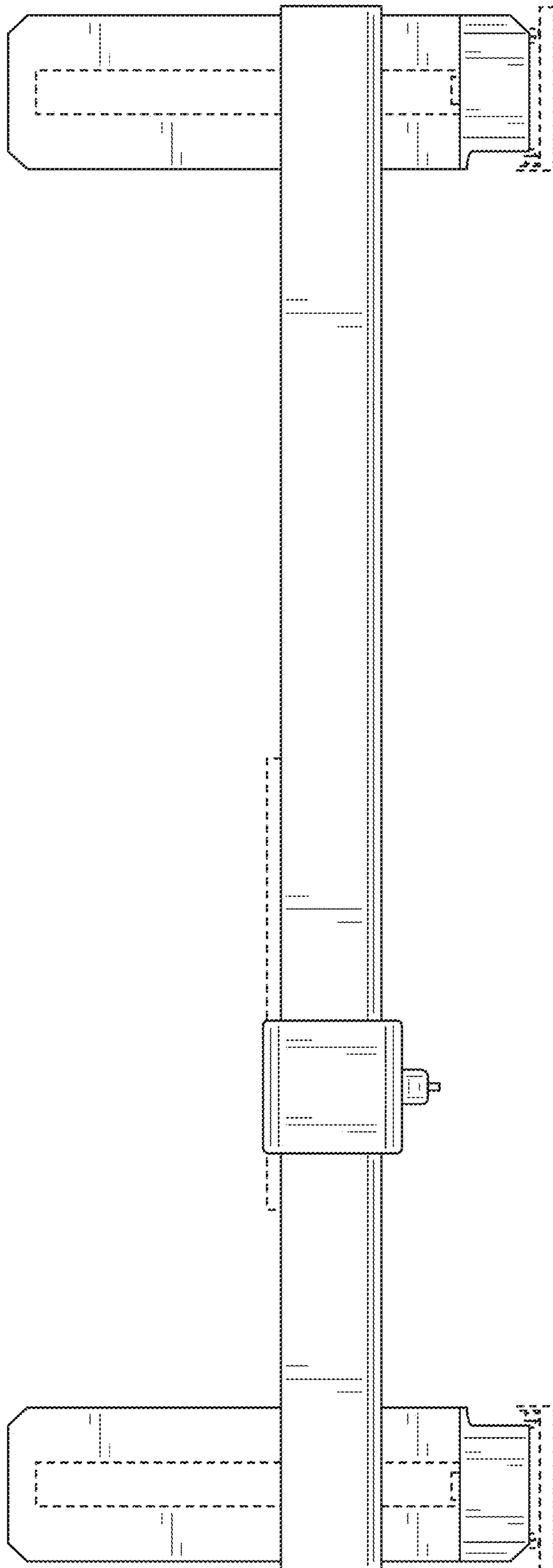


FIG. 3

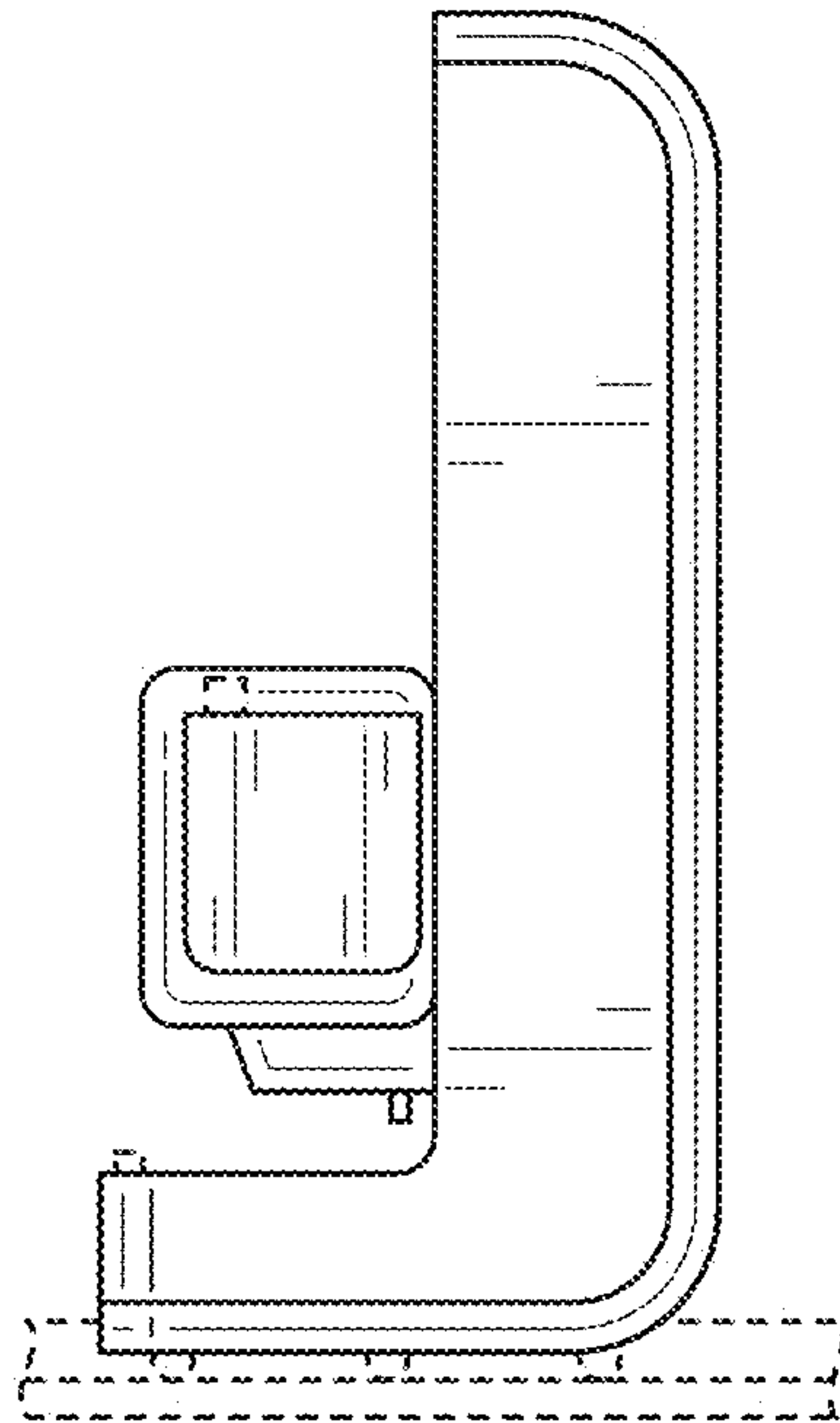


FIG. 4

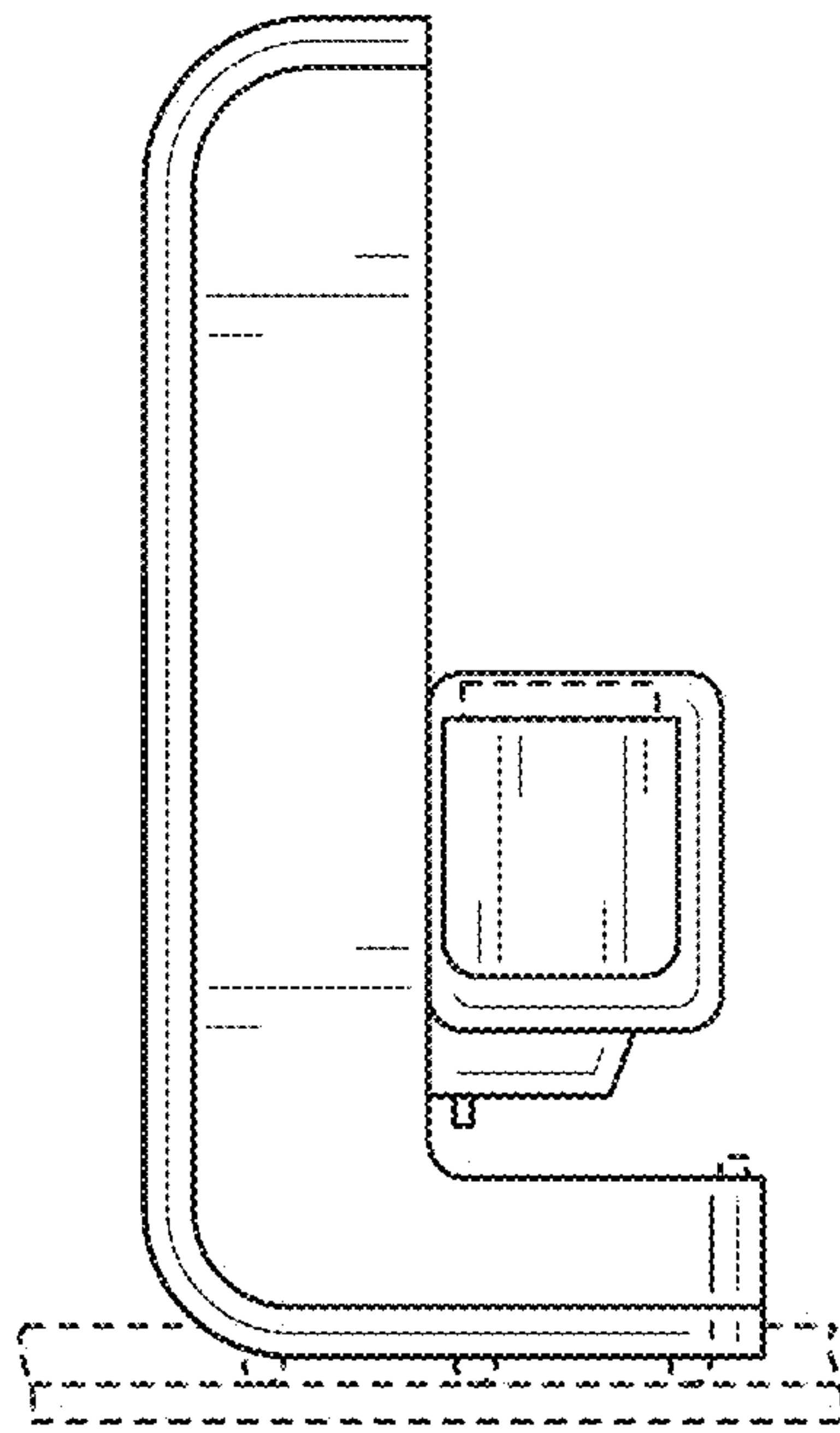


FIG. 5

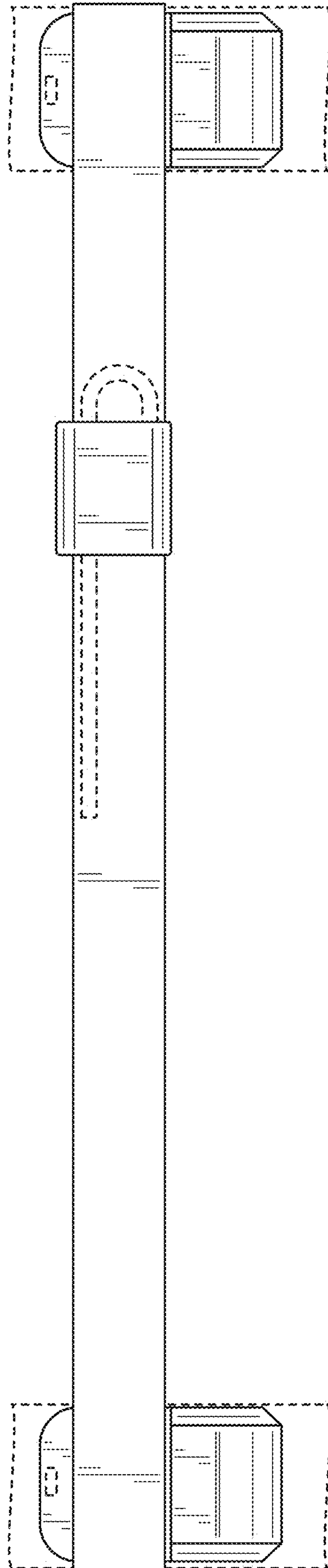


FIG. 6

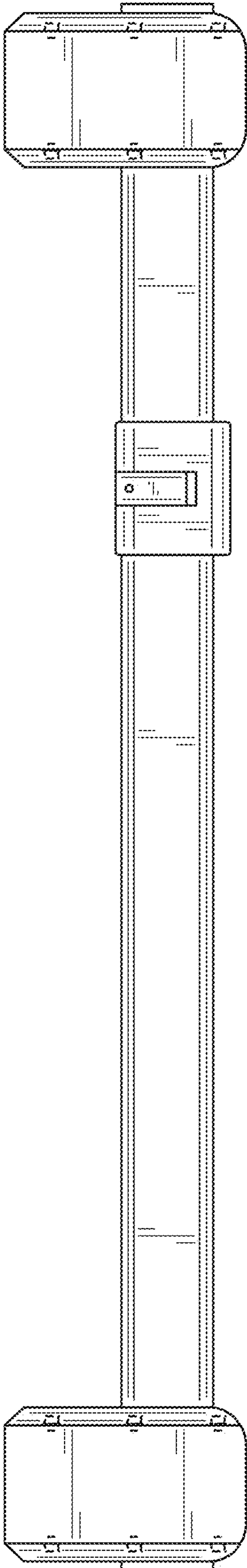


FIG. 7