

US00D976972S

(12) **United States Design Patent**
Wilson, IV et al.

(10) **Patent No.:** **US D976,972 S**
(45) **Date of Patent:** **** Jan. 31, 2023**

(54) **TUMBLER**

- (71) Applicant: **Idea Vault Holdings, Inc.**, Ashland, OR (US)
- (72) Inventors: **Howard Allen Wilson, IV**, Medford, OR (US); **Joshua J Gedlick**, Ashland, OR (US); **Michael E Munter**, Ashland, OR (US); **Jordan M Willing**, Ashland, OR (US)
- (73) Assignee: **Idea Vault Holdings, Inc.**, Ashland, OR (US)
- (**) Term: **15 Years**

- (21) Appl. No.: **29/855,052**
- (22) Filed: **Sep. 29, 2022**
- (51) **LOC (14) Cl.** **15-09**
- (52) **U.S. Cl.**
USPC **D15/124**
- (58) **Field of Classification Search**
USPC D15/122–125; D24/107, 167, 184,
D24/231–234, 163, 216, 217, 219;
D10/87, 91

(Continued)

(56) **References Cited**

U.S. PATENT DOCUMENTS

- 295,867 A * 3/1884 Griffen B24B 31/02
285/190
- 2,939,455 A * 6/1960 Arnold A61H 15/0078
601/127

(Continued)

FOREIGN PATENT DOCUMENTS

- CN 301948246 S 6/2011
- CN 301982100 S 7/2012

(Continued)

OTHER PUBLICATIONS

Andrea Ramsey, “Surprisingly Quiet” review of National Geographic Professional Rock Tumbling Kit, (uploaded Feb. 10, 2022), Amazon.com, URL:<https://www.amazon.com/gp/customer-reviews/R33EFYKDJ9I3XK?ref=va_cr_lb> (Year: 2022).*

(Continued)

Primary Examiner — Calvin E Vansant
Assistant Examiner — Mark T. Philipps
(74) *Attorney, Agent, or Firm* — Salpi Dunlap

(57) **CLAIM**

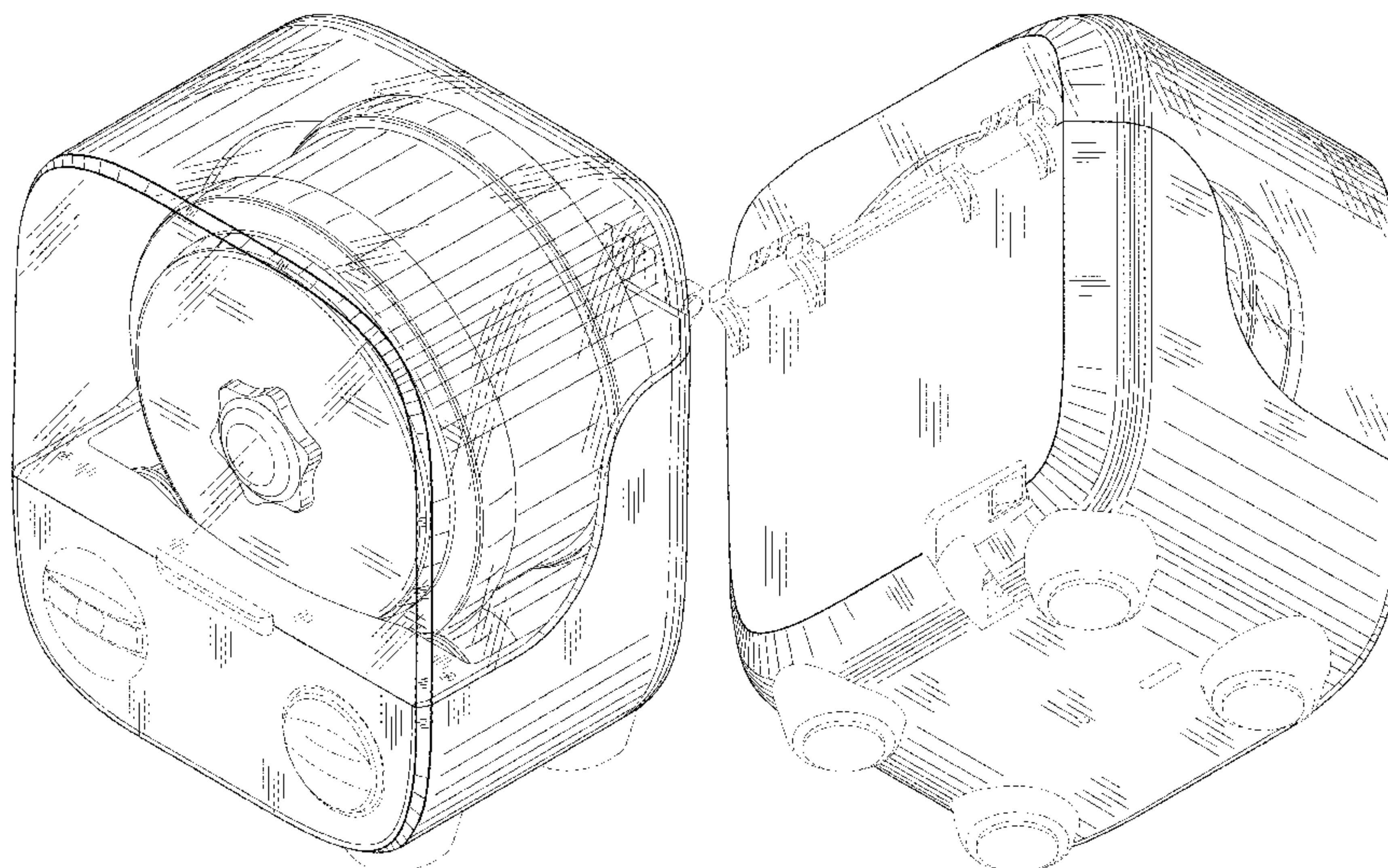
We claim the ornamental design for tumbler, as shown and described.

DESCRIPTION

FIG. 1 is a top front right perspective view of a tumbler; FIG. 2 is a rear bottom left perspective view of the tumbler of FIG. 1; FIG. 3 is a front elevational view of the tumbler of FIG. 1; FIG. 4 is a right elevational view of the tumbler of FIG. 1; FIG. 5 is a rear elevational view of the tumbler of FIG. 1; FIG. 6 is a left elevational view of the tumbler of FIG. 1; FIG. 7 is a top elevational view of the tumbler of FIG. 1; FIG. 8 is a bottom elevational view of the tumbler of FIG. 1; FIG. 9 is a top front right perspective view of an alternative embodiment of the tumbler of FIG. 1; FIG. 10 is a rear bottom left perspective view of the tumbler of FIG. 9; FIG. 11 is a front elevational view of the tumbler of FIG. 9; FIG. 12 is a right elevational view of the tumbler of FIG. 9; FIG. 13 is a rear elevational view of the tumbler of FIG. 9; FIG. 14 is a left elevational view of the tumbler of FIG. 9; FIG. 15 is a top elevational view of the tumbler of FIG. 9; and, FIG. 16 is a bottom elevational view of the tumbler of FIG. 9.

The broken lines represent environmental structure that form no part of the claimed design.

1 Claim, 16 Drawing Sheets



(58) **Field of Classification Search**

CPC B07B 1/46; B07B 1/28; B07B 1/36; B07B
1/48; B07B 2201/04; B07B 2230/01;
B24B 31/00; B24B 31/02; B02C 17/02;
B02C 17/20; B02C 23/16

See application file for complete search history.

(56) **References Cited**

U.S. PATENT DOCUMENTS

6,254,466 B1 * 7/2001 Mucciacciaro B24B 31/02
451/328
D527,464 S * 8/2006 Ina D24/232
D591,864 S * 5/2009 Schmidt D24/216
D653,764 S * 2/2012 Macemon D24/216
D728,125 S * 4/2015 Trigg D24/232
9,156,709 B2 10/2015 Shallcross
D757,136 S * 5/2016 Yu D15/124
9,421,664 B1 * 8/2016 Yu B24B 31/02
D854,188 S * 7/2019 Schaeken D24/232
D868,125 S * 11/2019 Shu D15/144
D914,906 S * 3/2021 Klein D24/216
D917,063 S * 4/2021 Ong D24/216
D923,199 S * 6/2021 Luther D24/233
D940,763 S * 1/2022 Zhao D15/124
D964,593 S * 9/2022 Grimmel D24/232
2008/0296162 A1 * 12/2008 Shallcross A61N 2/12
204/660
2020/0391339 A1 12/2020 Gedlick
2020/0391340 A1 12/2020 Gedlick
2021/0260717 A1 * 8/2021 Gedlick B24B 31/02

FOREIGN PATENT DOCUMENTS

CN	304073644 S	3/2017
CN	304073646 S	3/2017
CN	306374463 S	3/2021
CN	306604369 S	6/2021
CN	306638442 S	6/2021
CN	306648318 S	6/2021
CN	306985282 S	12/2021
CN	307119758 S	2/2022
CN	307181808 S	3/2022
GB	6179994 S	12/2021
GB	6179995 S	12/2021

OTHER PUBLICATIONS

National Geographic, Hobby Rock Tumbler Kit, (first available Nov. 1, 2018), Amazon.com, URL:<<https://www.amazon.com/dp/B07G9MWHGJ/>> (Year: 2018).*

National Geographic Professional Rock Tumbling Kit, Amazon.com printout retrieved on Sep. 29, 2022 from <https://a.co/d/8hWmSFy>.

National Geographic Rock Tumbling Kit, Amazon.com printout retrieved on Sep. 29, 2022 from <https://a.co/d/052UPLB>.

National Geographic Starter Rock Tumbler Kit, Amazon.com printout retrieved on Sep. 29, 2022 from <https://a.co/d/cf8iwkY>.

National Geographic Hobby Rock Tumbler Kit, Amazon.com printout retrieved on Dec. 7, 2022 from https://www.amazon.com/dp/B07G9MWHGJ?ref=myi_title_dp.

* cited by examiner

FIG. 1

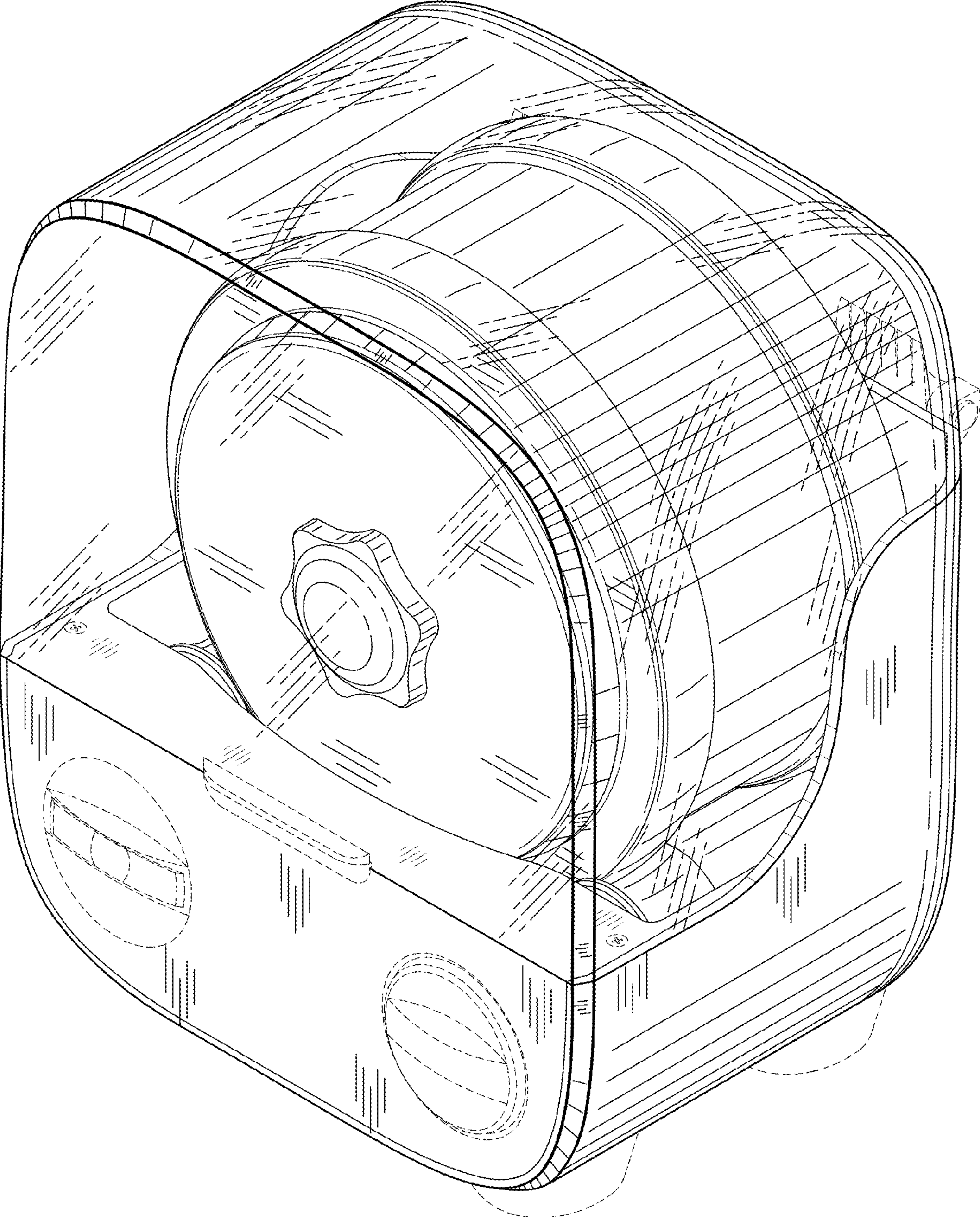


FIG. 2

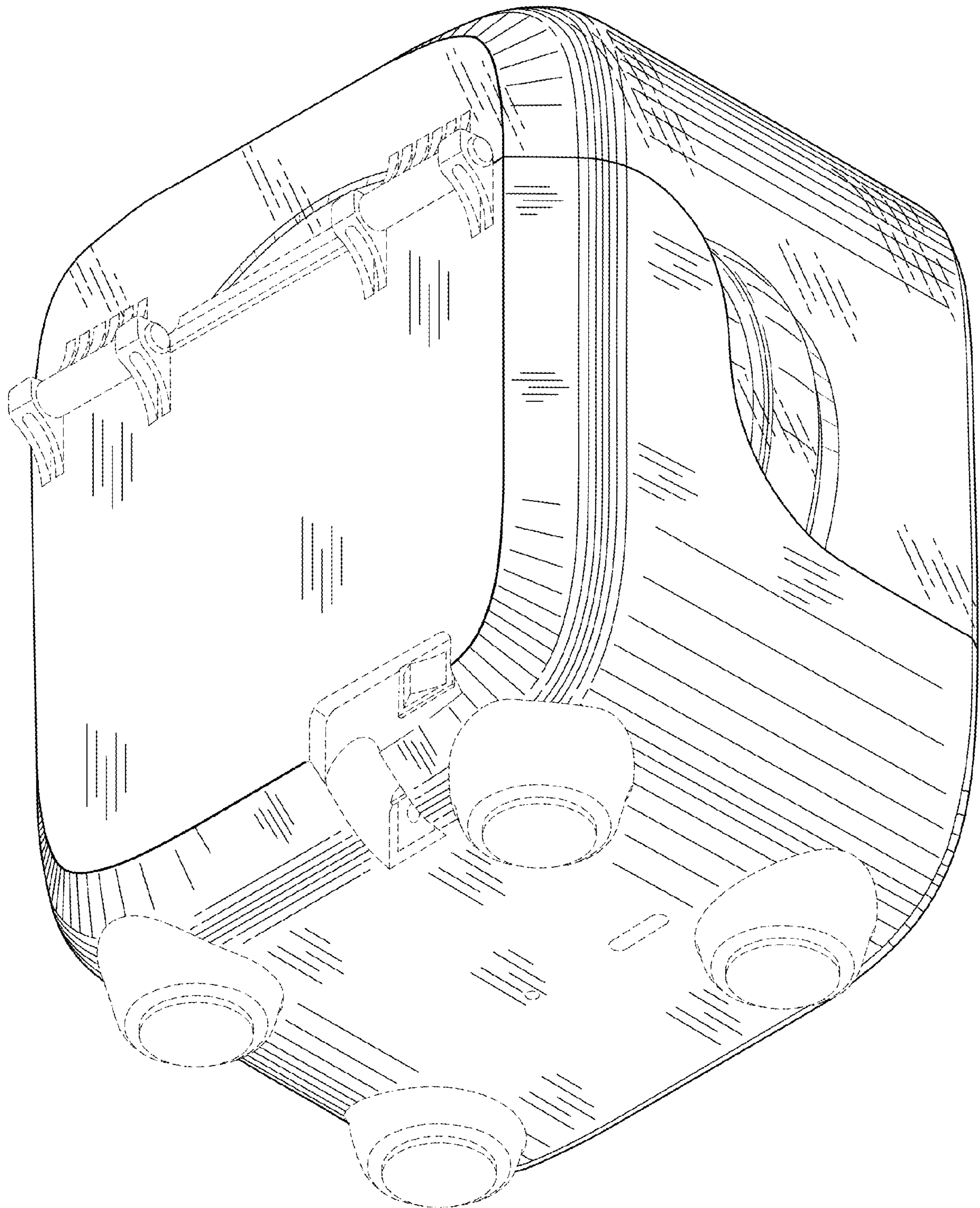


FIG. 3

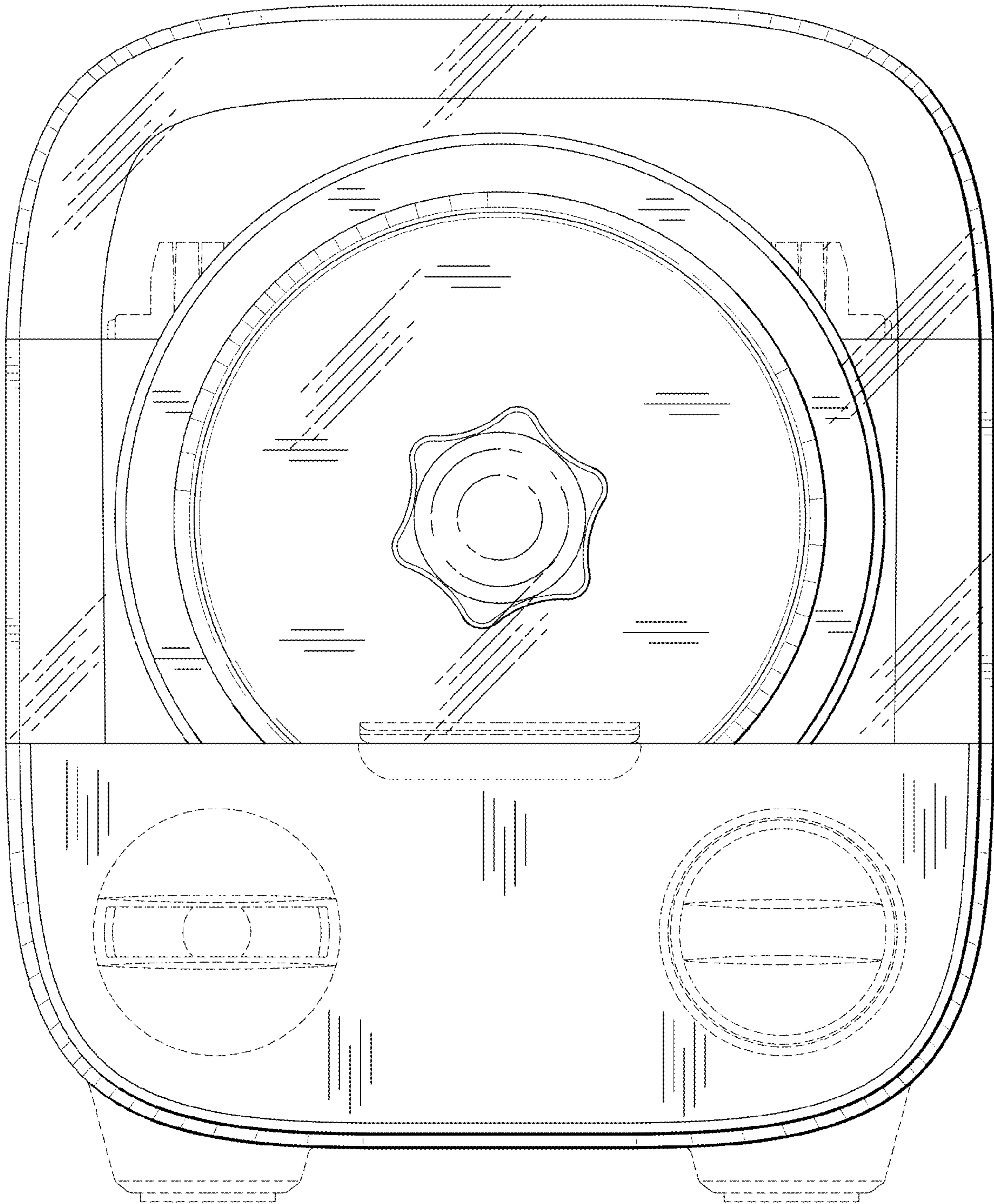


FIG. 4

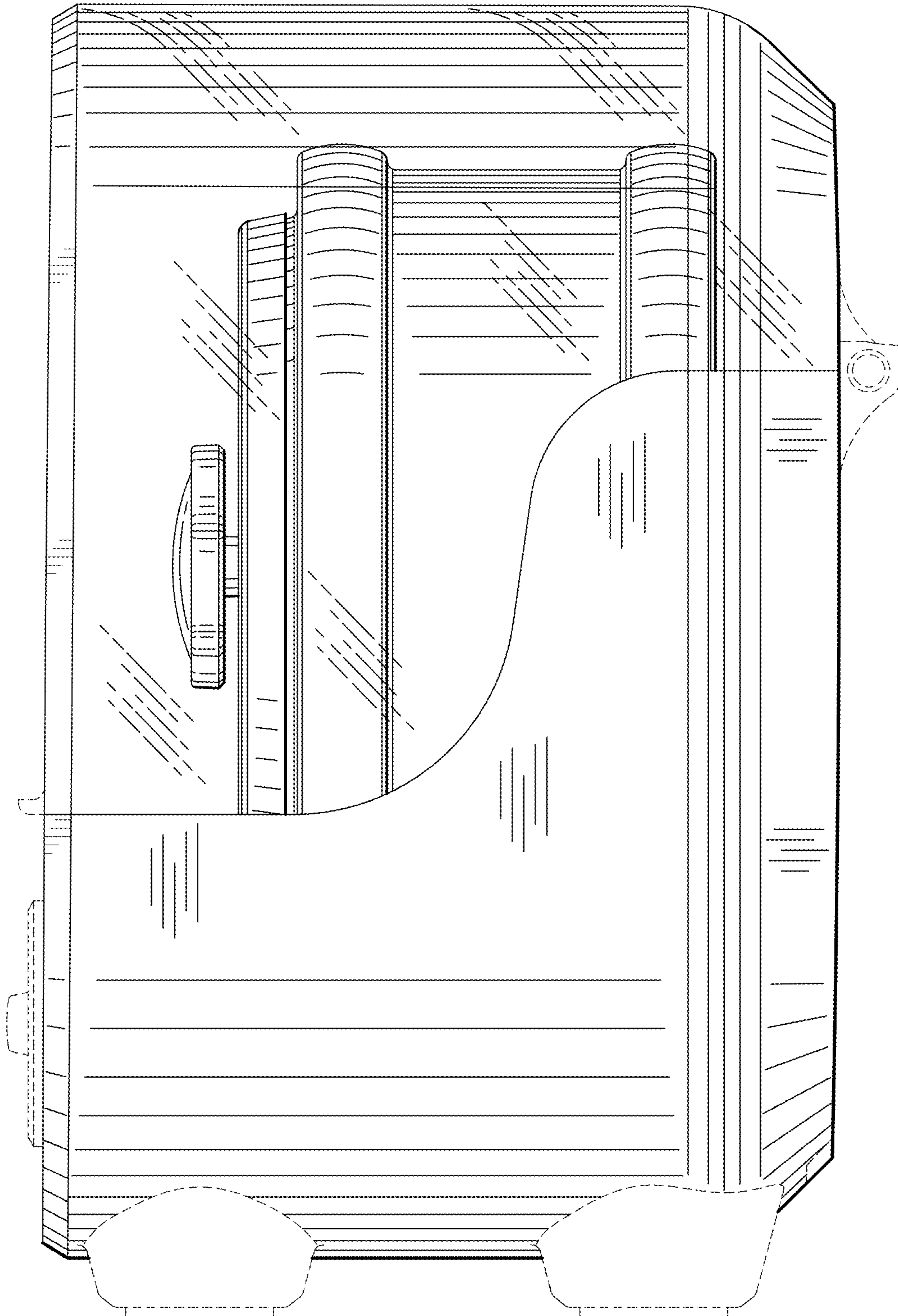


FIG. 5

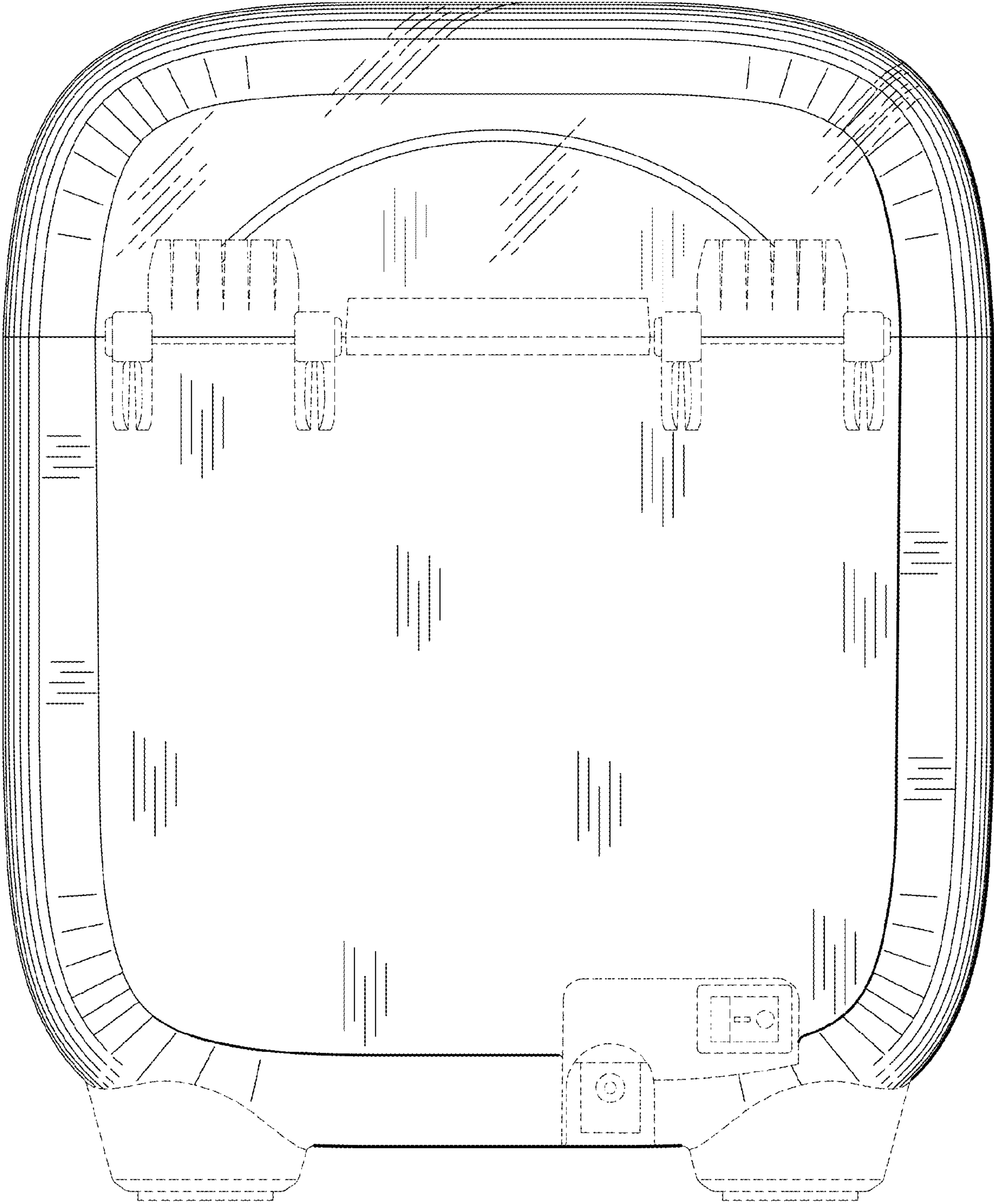


FIG. 6

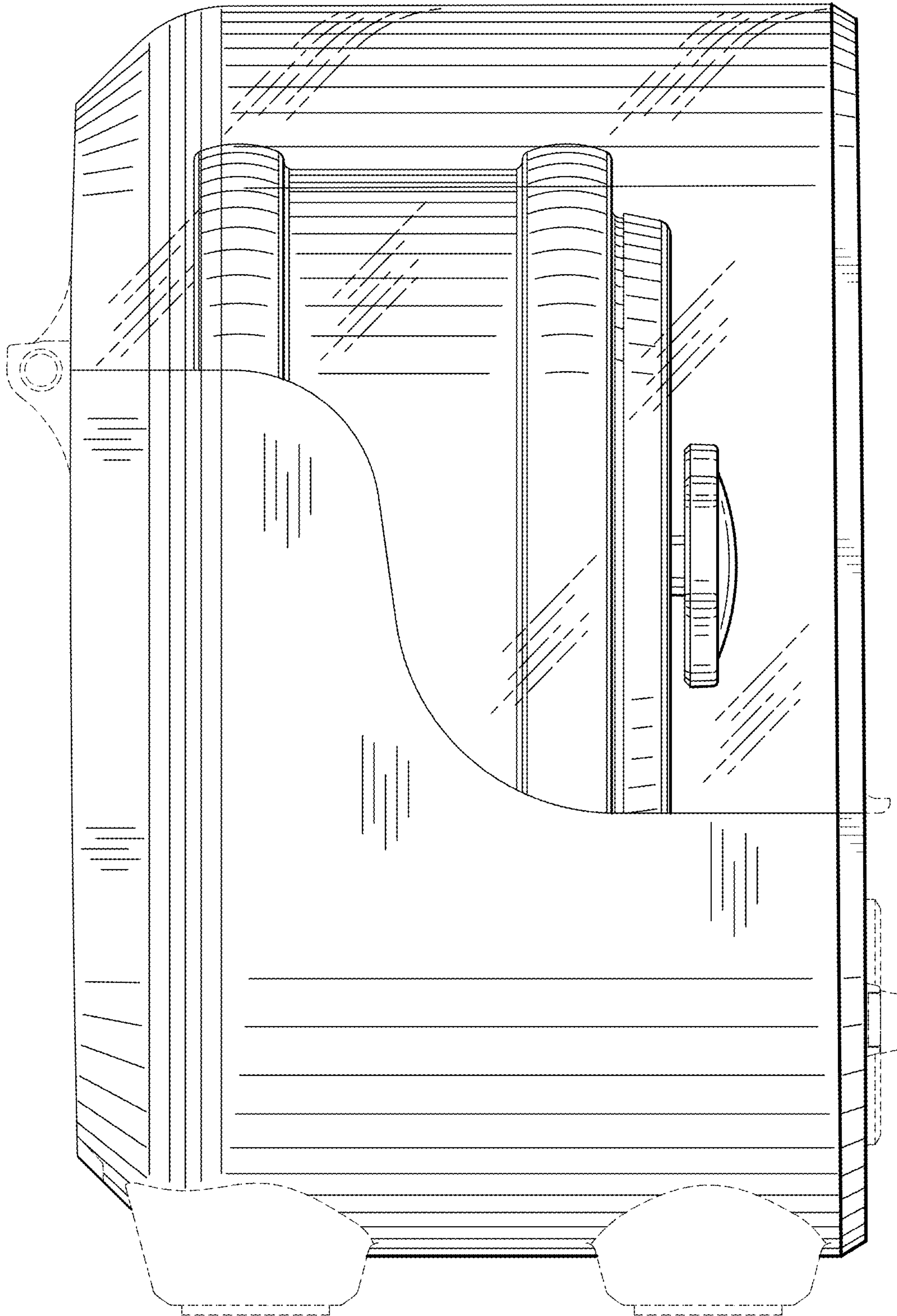


FIG. 7

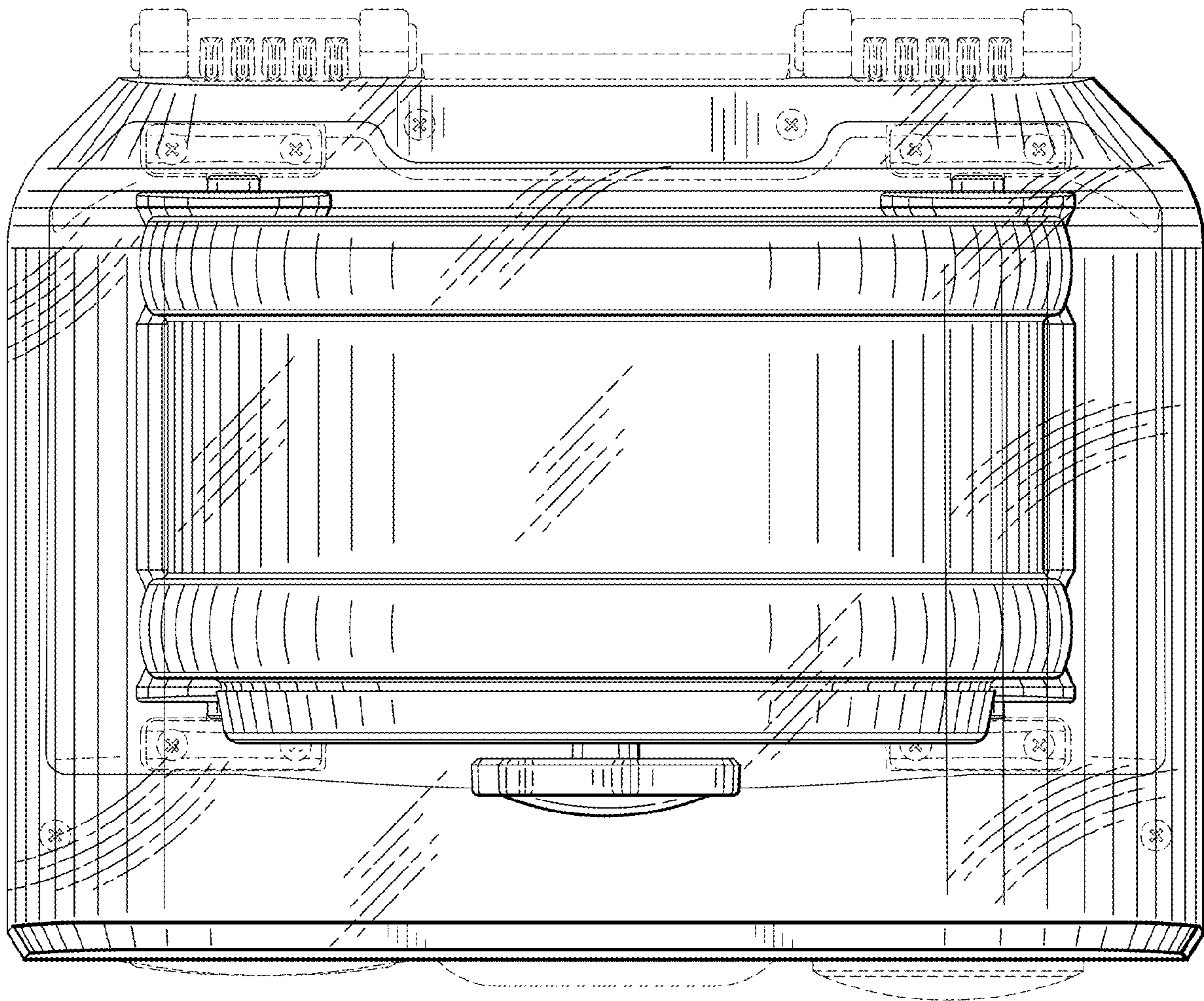


FIG. 8

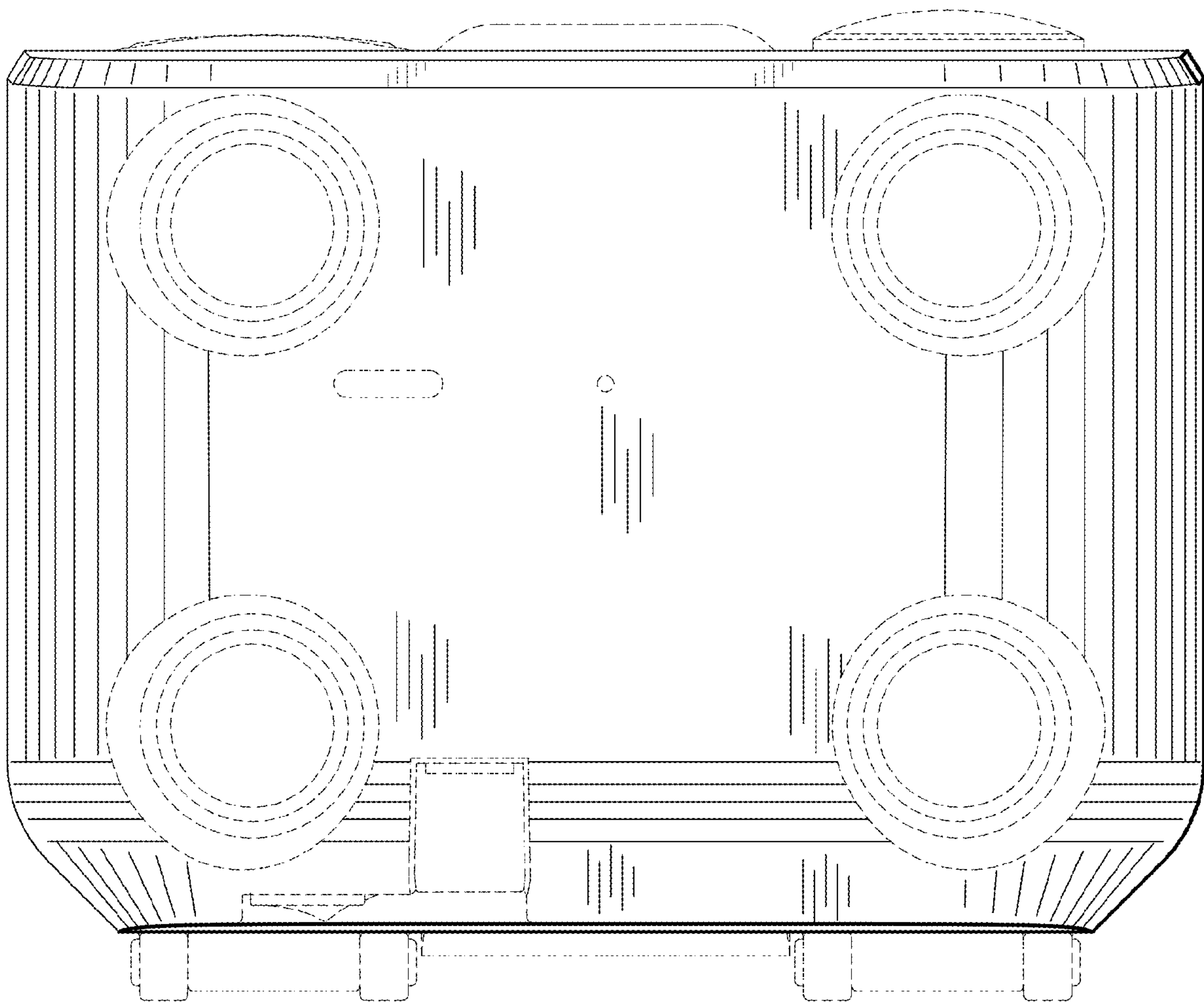


FIG. 9

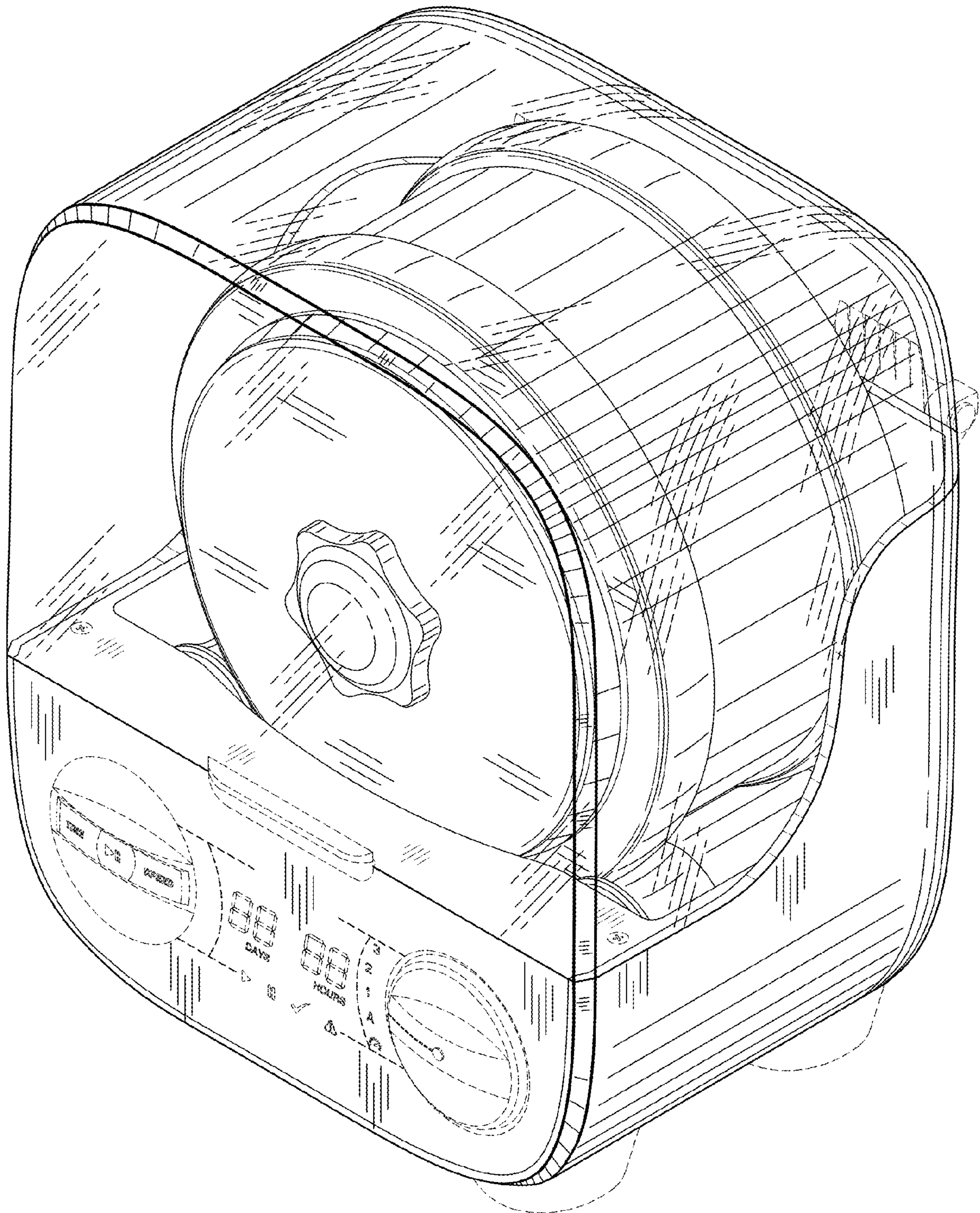


FIG. 10

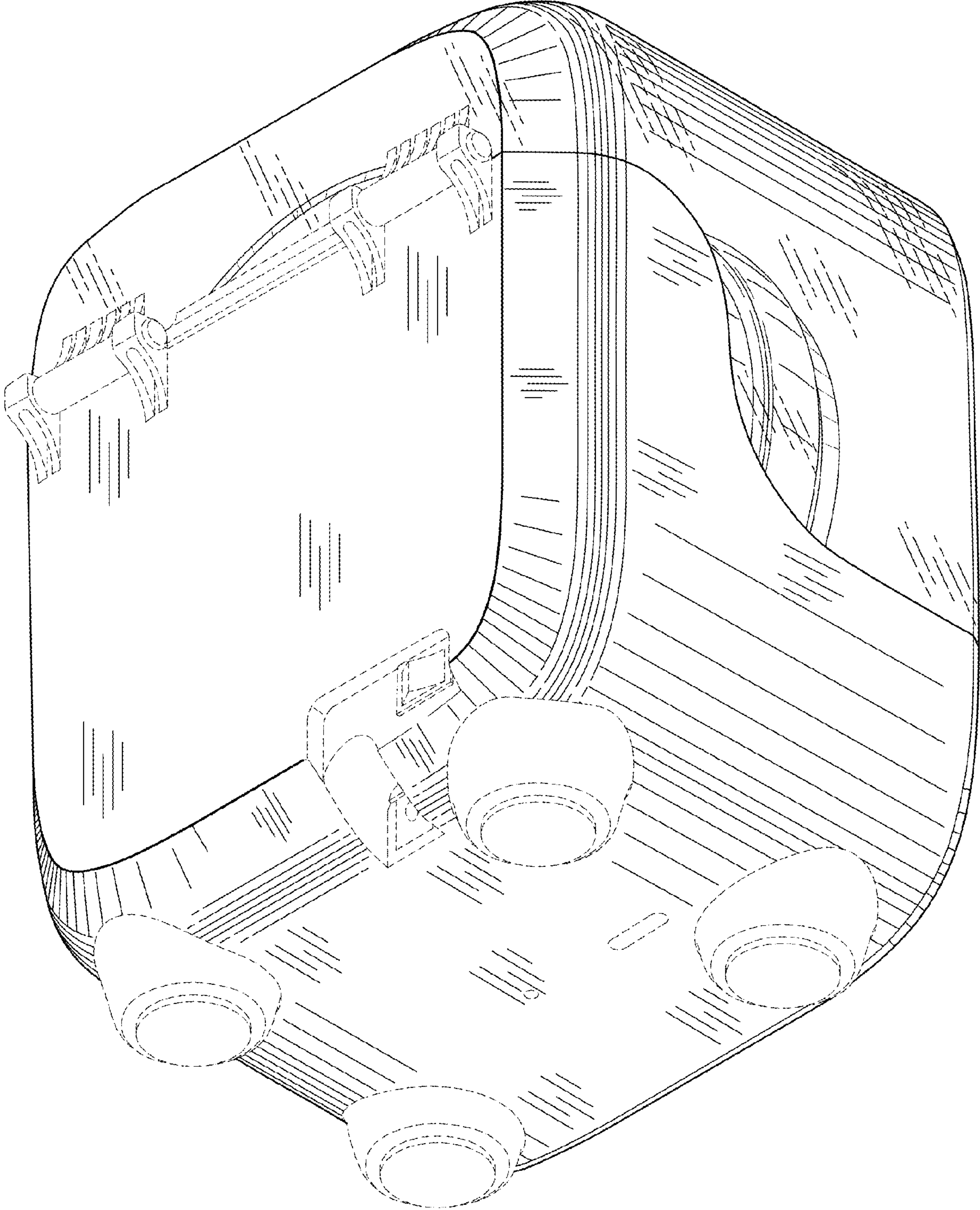


FIG. 11

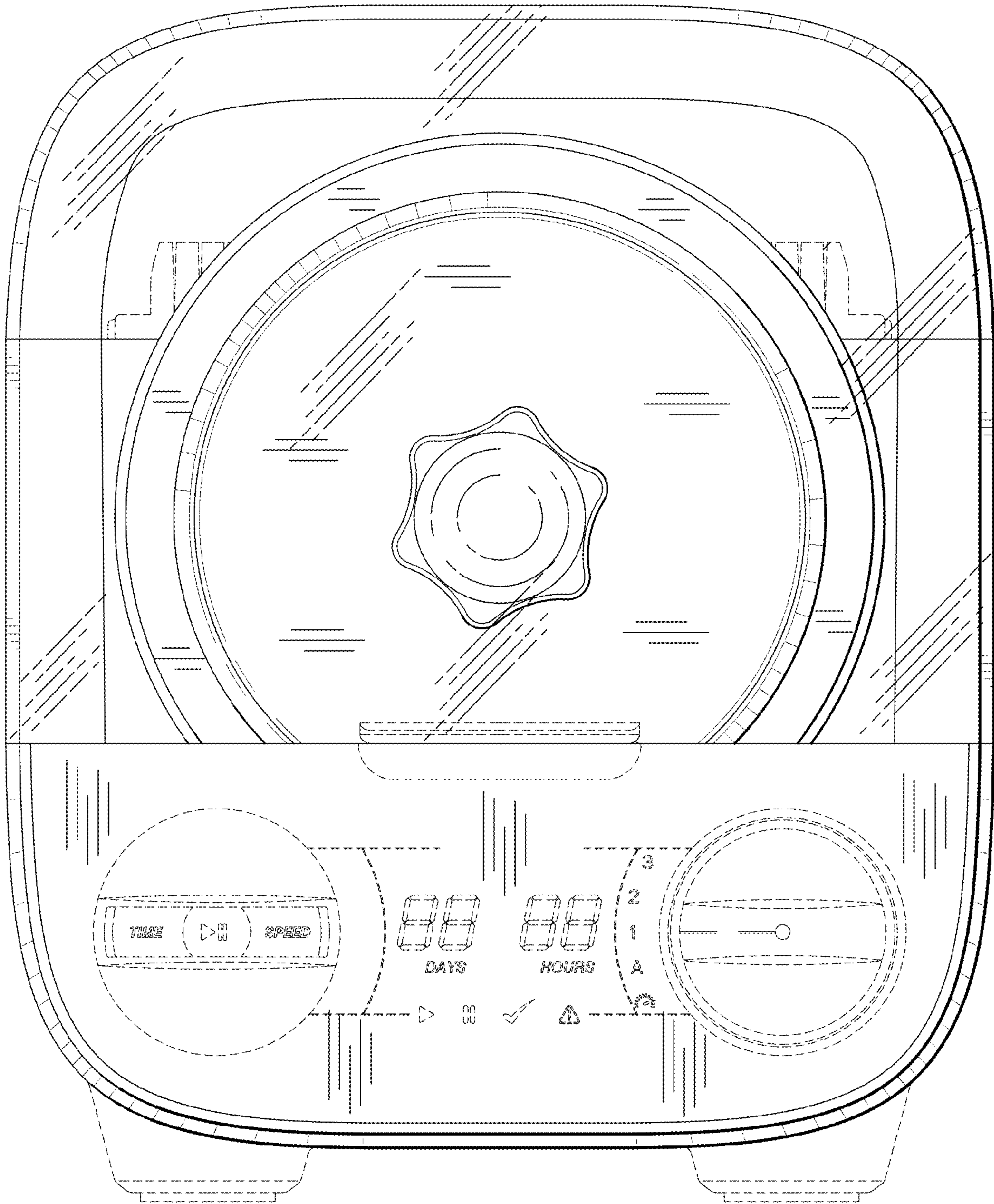


FIG. 12

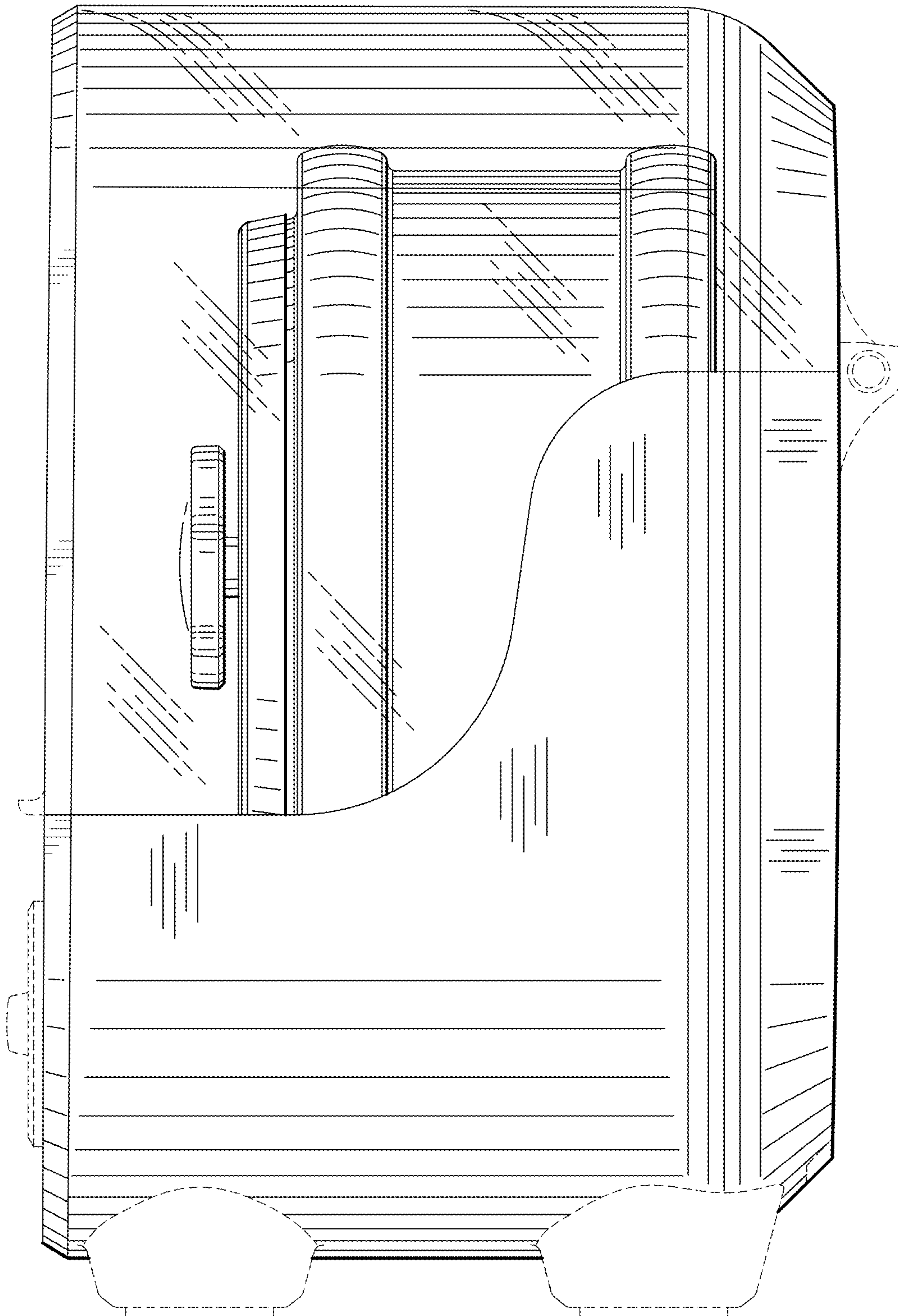


FIG. 13

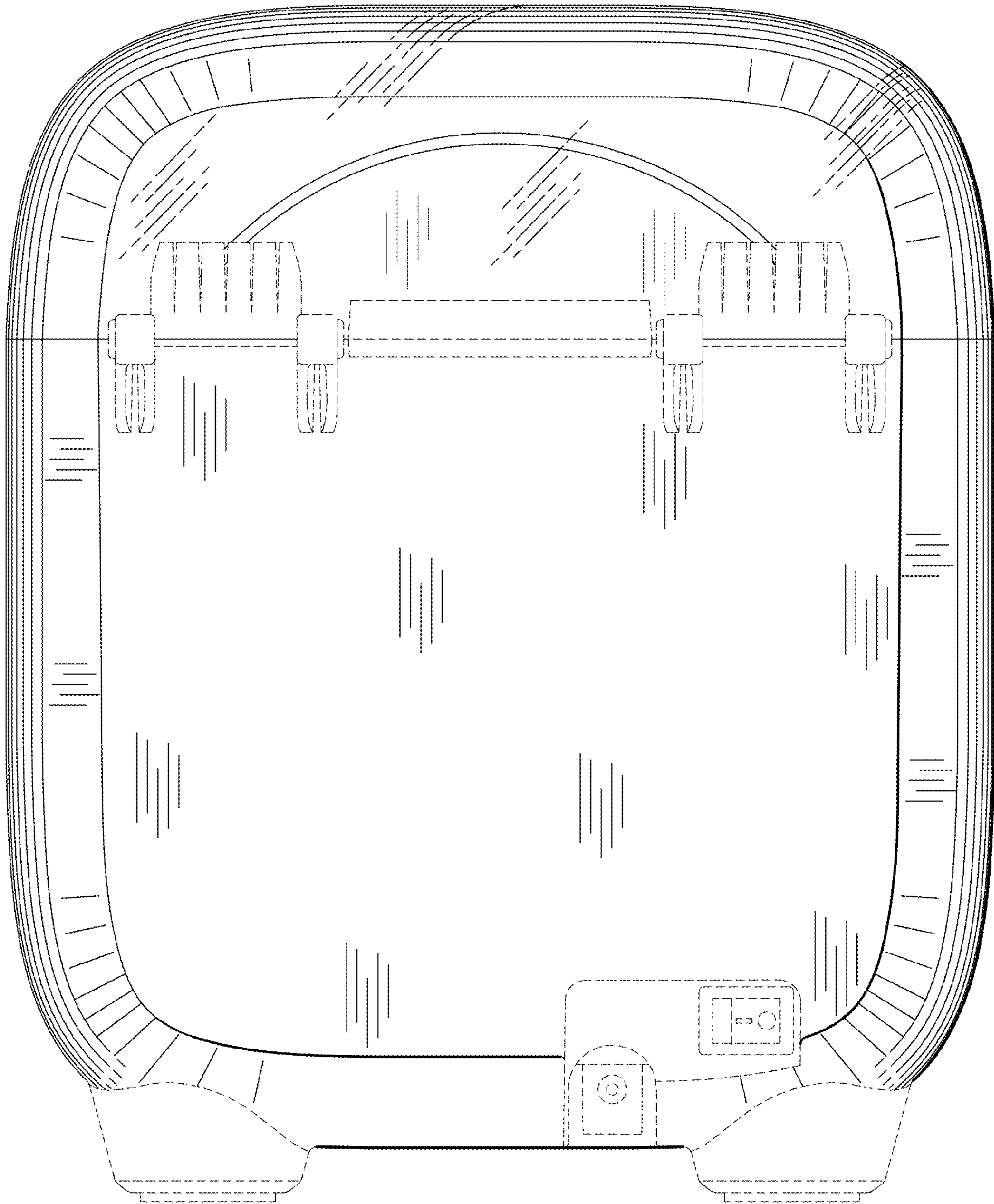


FIG. 14

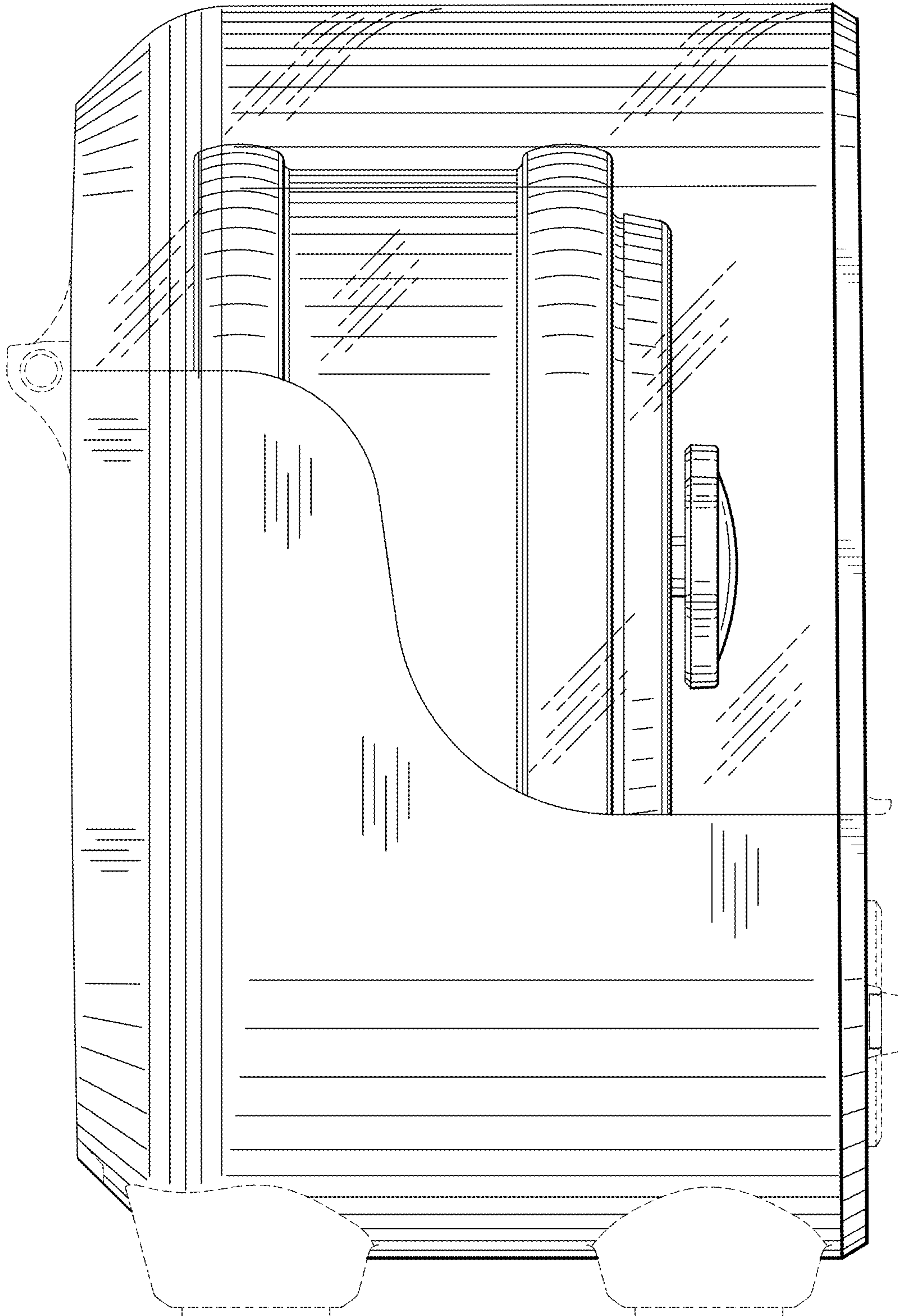


FIG. 15

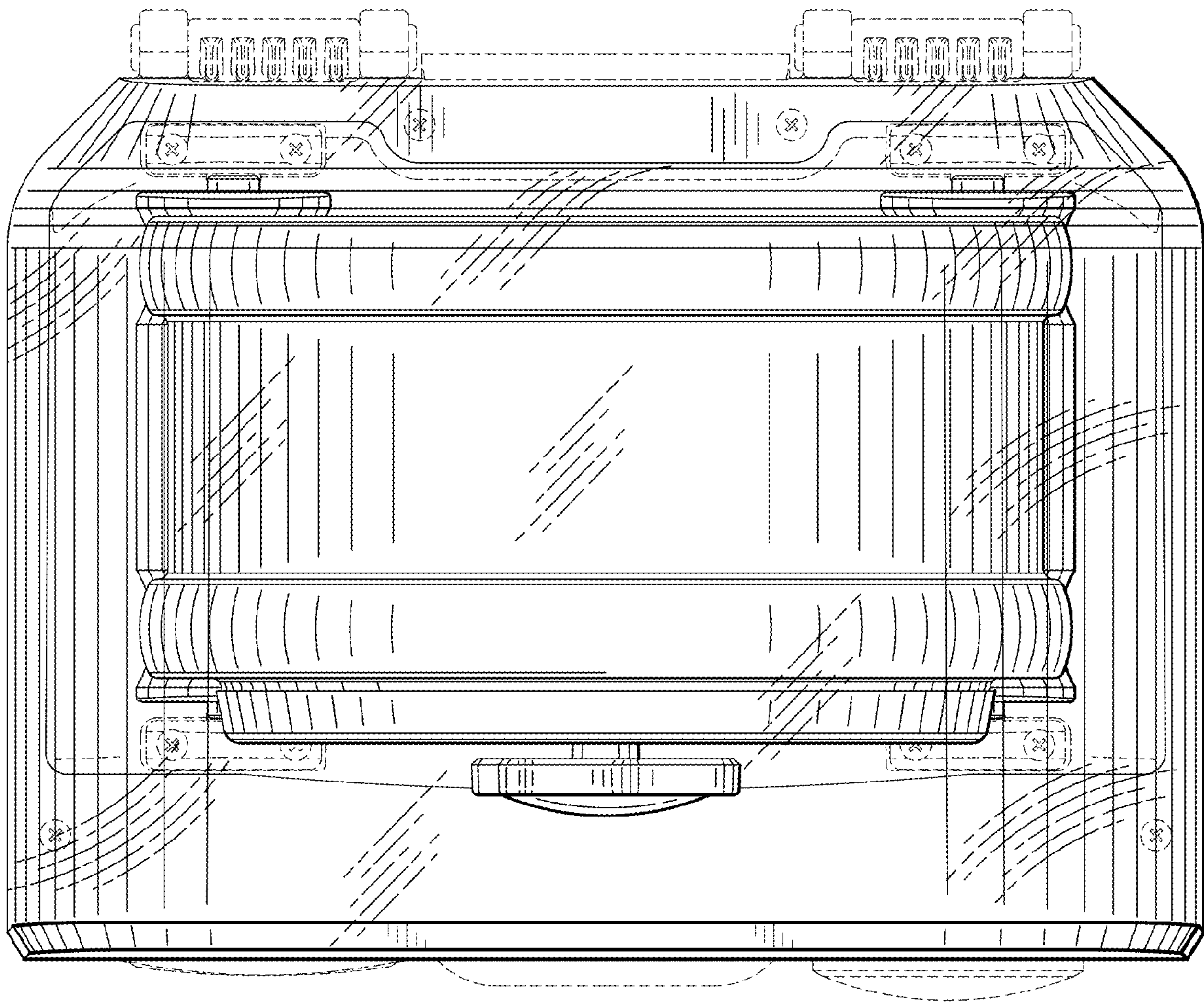


FIG. 16

