



US00D976964S

(12) **United States Design Patent**
Suzuki et al.

(10) **Patent No.:** **US D976,964 S**
(45) **Date of Patent:** **** Jan. 31, 2023**

(54) **MOWER**

(71) Applicant: **MAKITA CORPORATION**, Anjo (JP)

(72) Inventors: **Wataru Suzuki**, Anjo (JP); **Takuma Ohashi**, Anjo (JP); **Mitsuhiro Ito**, Anjo (JP)

(73) Assignee: **MAKITA CORPORATION**, Anjo (JP)

(**) Term: **15 Years**

(21) Appl. No.: **29/803,105**

(22) Filed: **Aug. 10, 2021**

(30) **Foreign Application Priority Data**

Feb. 11, 2021 (JP) 2021-002999 D

(51) **LOC (14) Cl.** **15-03**

(52) **U.S. Cl.**
USPC **D15/14**

(58) **Field of Classification Search**
USPC D15/10, 14-18; 56/12.8, 12.7, 13.4,
56/16.7, 17.5, 202, 254, 255, 294, 11.4,
56/320.1, 320.2, 249, 252, 11.9, 17.1,
56/17.4, 295; 280/43.17
CPC A01D 42/04; A01D 42/00; A01D 2101/00;
A01D 34/63; A01D 43/063
See application file for complete search history.

(56) **References Cited**

U.S. PATENT DOCUMENTS

D304,728 S * 11/1989 Piorkowski D15/16
D311,009 S * 10/1990 Wilkins D15/17
D346,810 S * 5/1994 Schulz D15/14
D359,291 S * 6/1995 Tihonovich D15/14
D390,576 S * 2/1998 Shimamura D15/14
5,910,091 A * 6/1999 Iida A01D 69/02
56/320.1

D421,265 S * 2/2000 Ohsumi D15/14
D424,070 S * 5/2000 Danthois D15/14
D450,064 S * 11/2001 Concari D15/14
D489,734 S * 5/2004 Lin D15/14
D544,501 S * 6/2007 Chung Lee D15/14
D600,254 S * 9/2009 Lindars D15/14
D605,667 S * 12/2009 Peterson D15/14
D620,029 S * 7/2010 Baetica D15/14
D627,371 S * 11/2010 Baetica D15/17
D648,354 S * 11/2011 Hattori D15/17
8,046,980 B1 * 11/2011 Schroeck A01D 43/16
56/12.7

D652,846 S * 1/2012 Stratford D15/14
(Continued)

Primary Examiner — Mark A Goodwin

(74) *Attorney, Agent, or Firm* — Global IP Counselors, LLP

(57) **CLAIM**

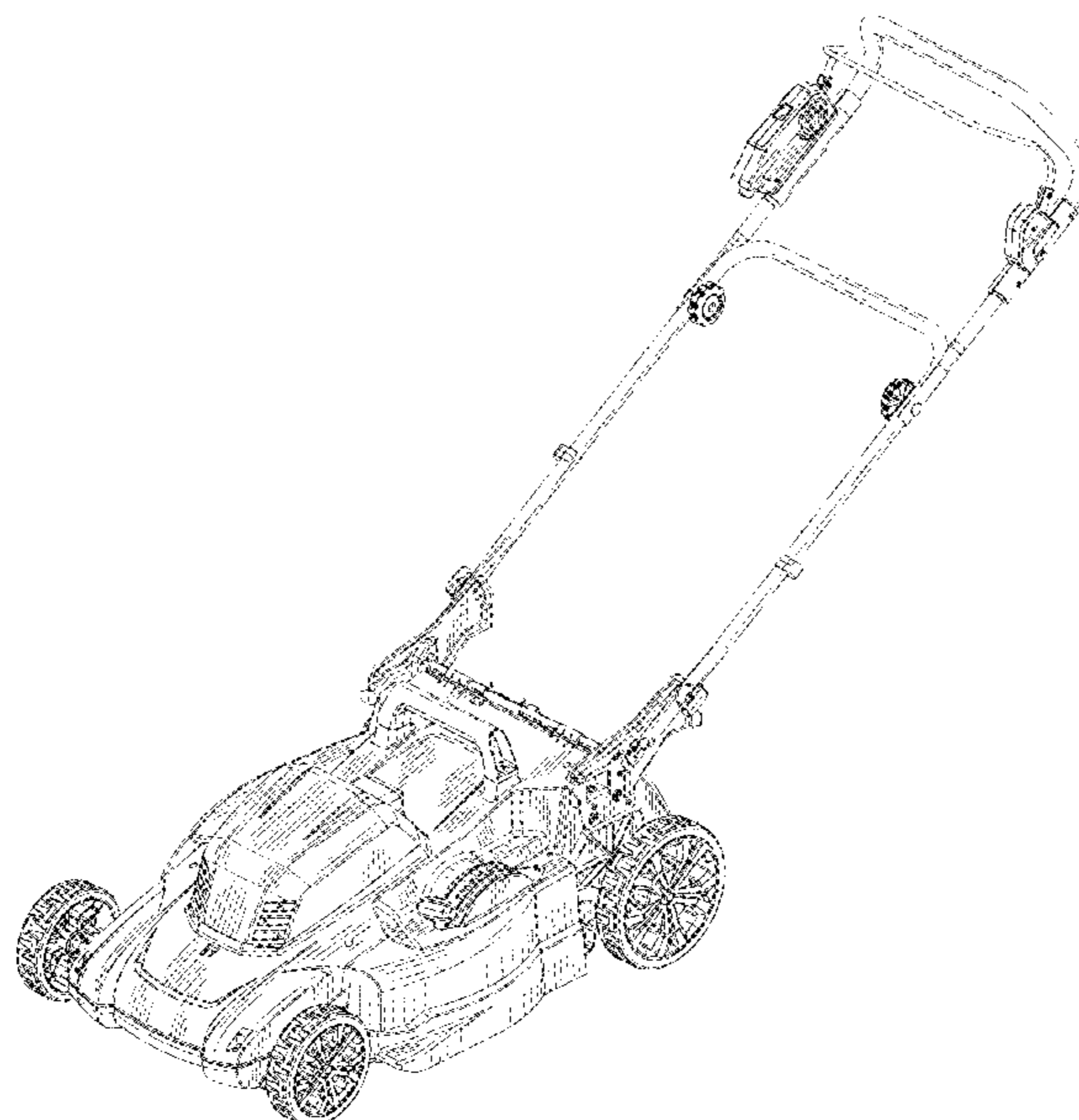
The ornamental design for a mower, as shown and described.

DESCRIPTION

FIG. 1 is a front perspective view of a mower showing our new design;
FIG. 2 is a rear perspective view thereof;
FIG. 3 is a front elevational view thereof;
FIG. 4 is a rear elevational view thereof;
FIG. 5 is a top plan view thereof;
FIG. 6 is a bottom plan view thereof;
FIG. 7 is a right side elevational view thereof;
FIG. 8 is a left side elevational view thereof; and,
FIG. 9 is a front perspective view of the mower in accordance with our new design illustrating a state in which an environmental structure (a grass catcher box) are attached to the mower.

The broken lines in the drawings illustrate the environmental structure or portions of the mower which form no part of the claimed design.

1 Claim, 9 Drawing Sheets



(56)

References Cited

U.S. PATENT DOCUMENTS

D653,265 S * 1/2012 Stratford D15/14
D665,823 S * 8/2012 Hannig D15/14
D834,071 S * 11/2018 Näslund D15/14
D834,072 S * 11/2018 Näslund D15/14
D907,666 S 1/2021 Dai et al.

* cited by examiner

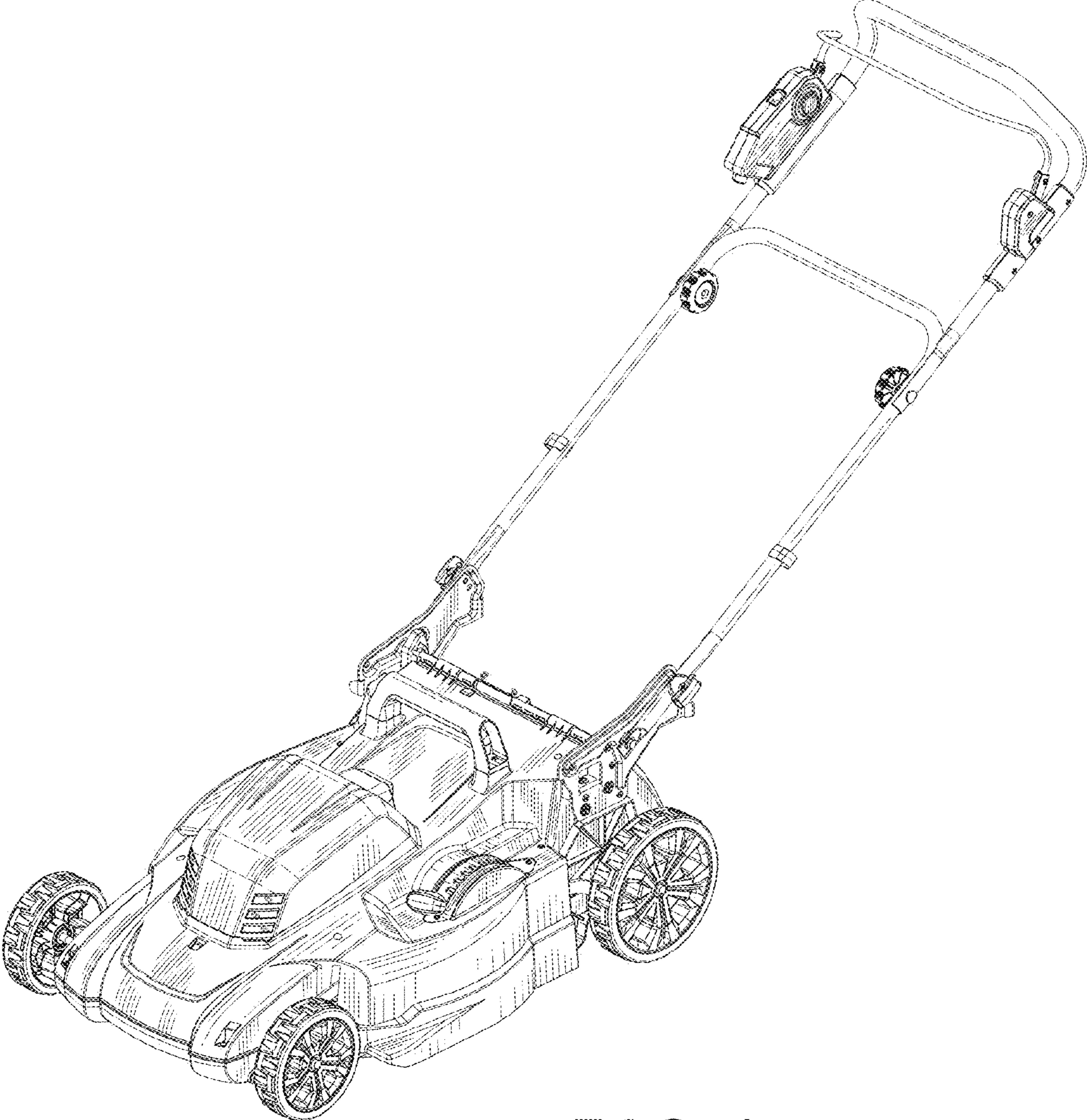


FIG. 1

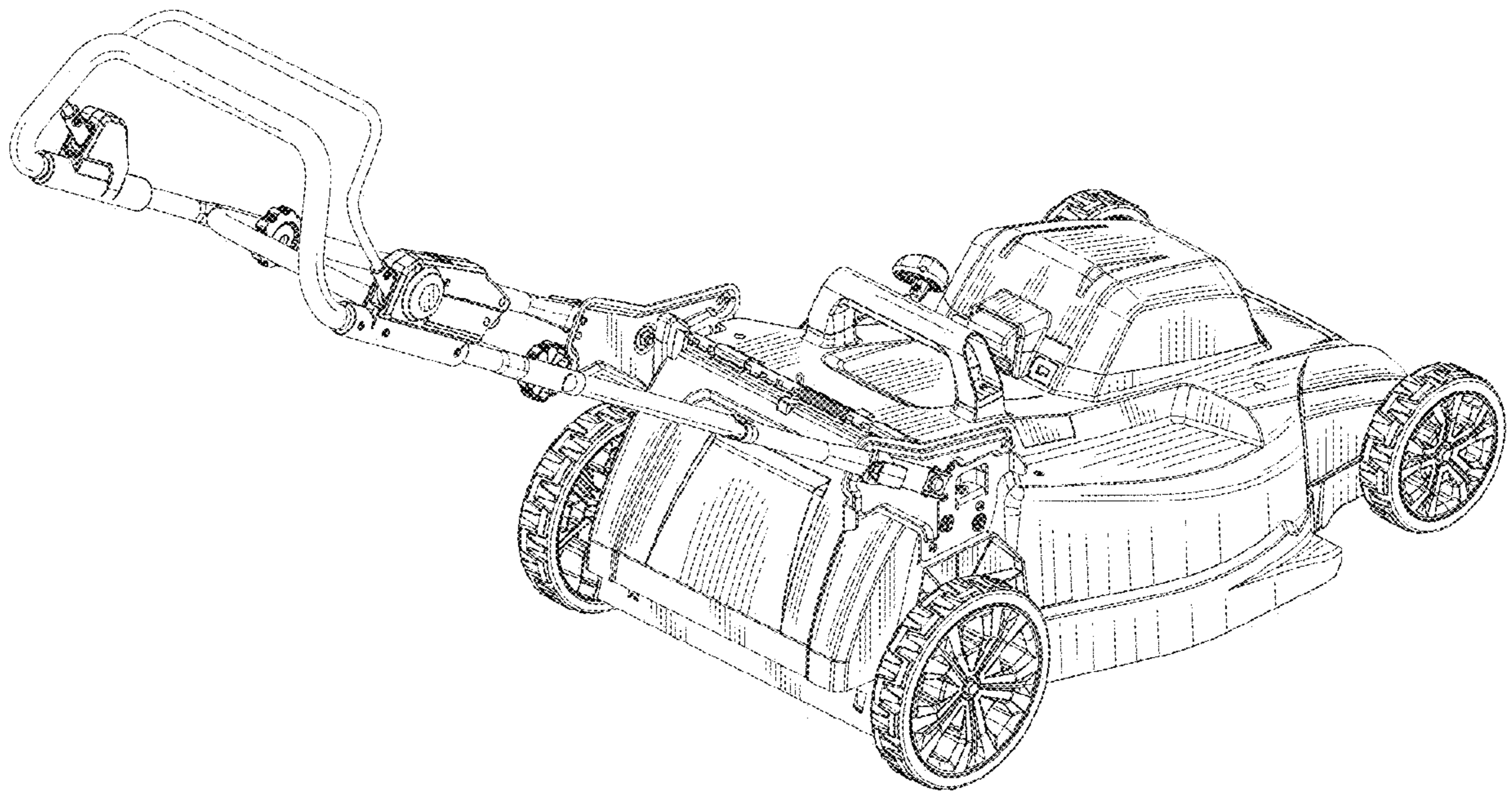


FIG. 2

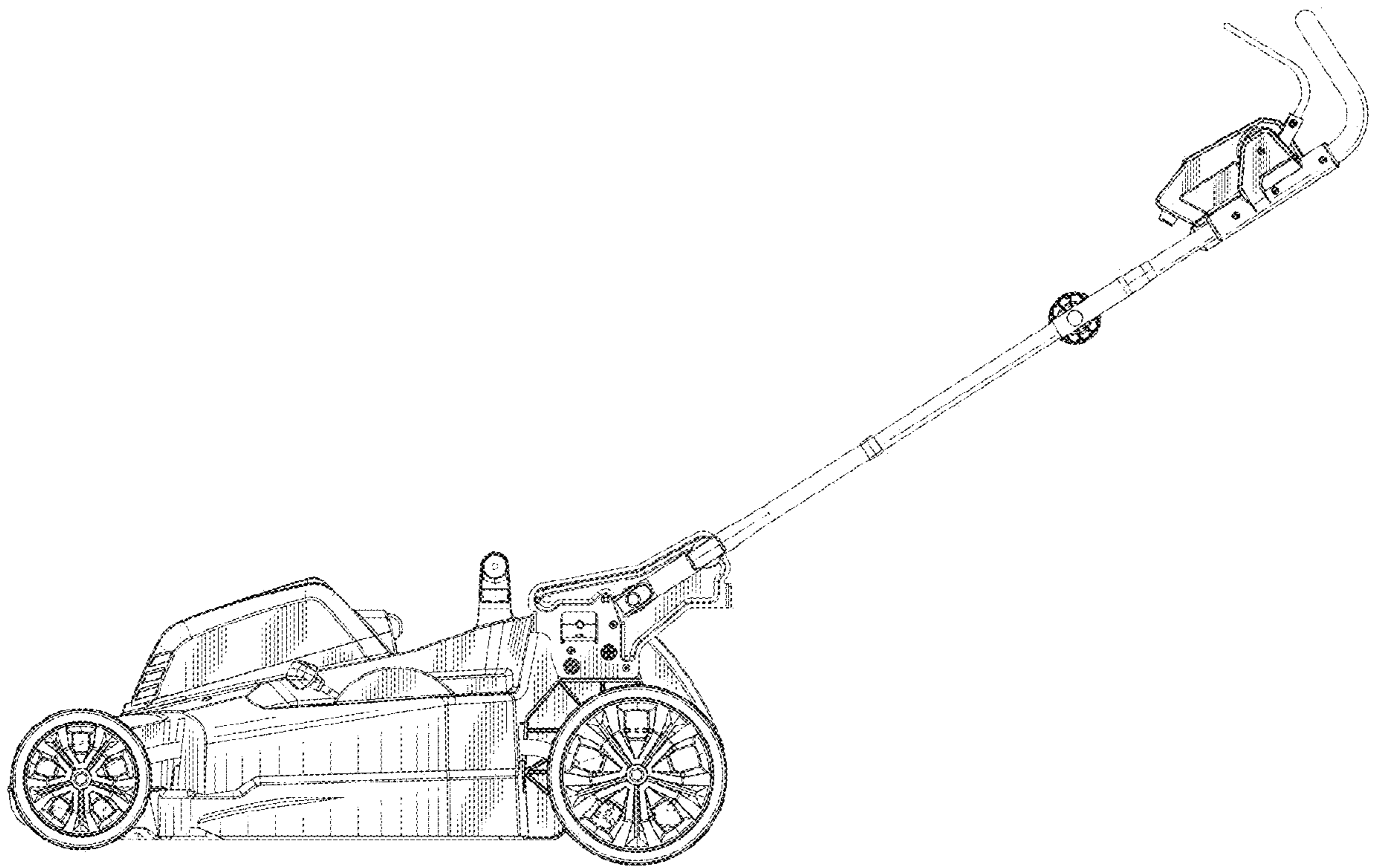


FIG. 3

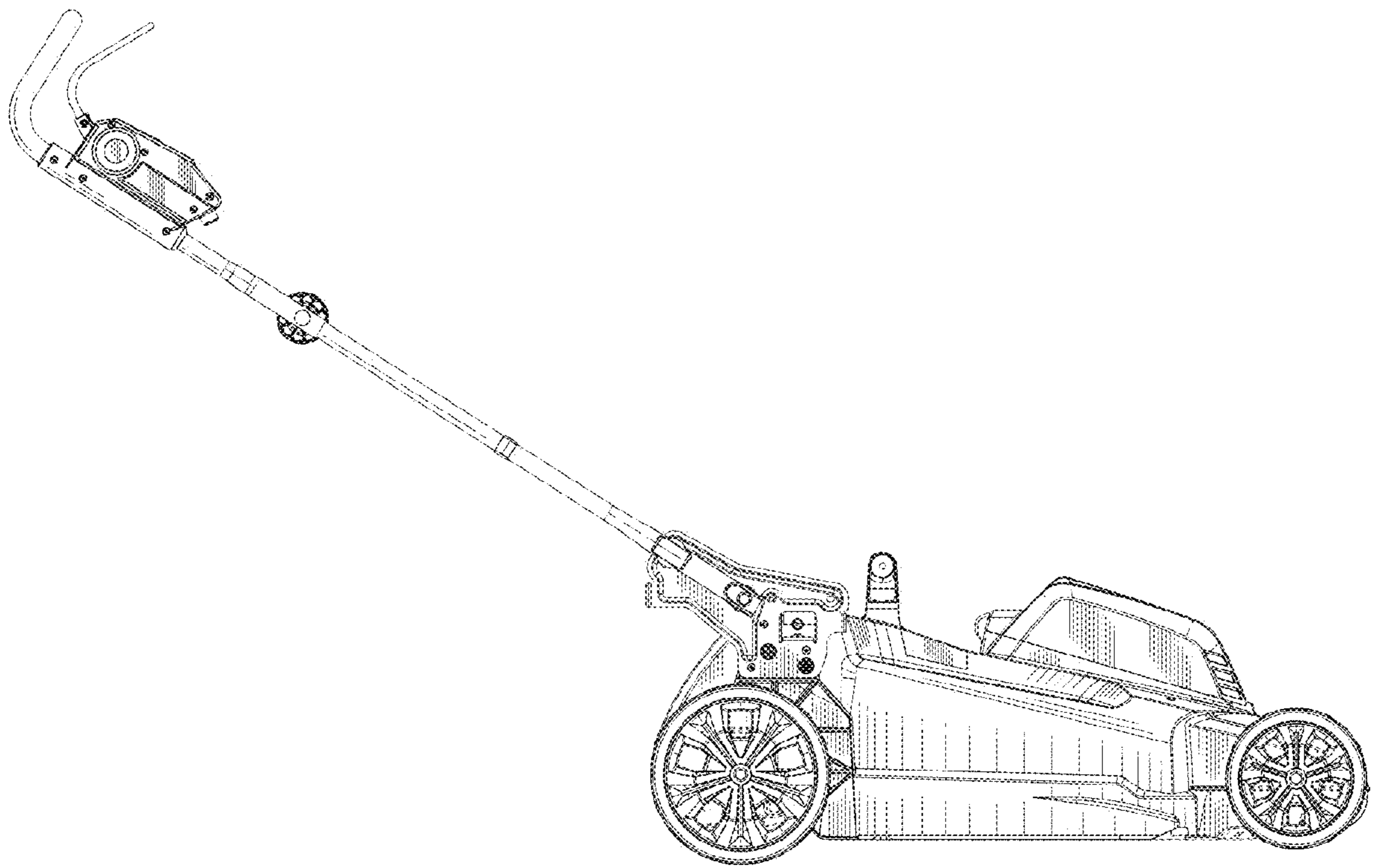


FIG. 4

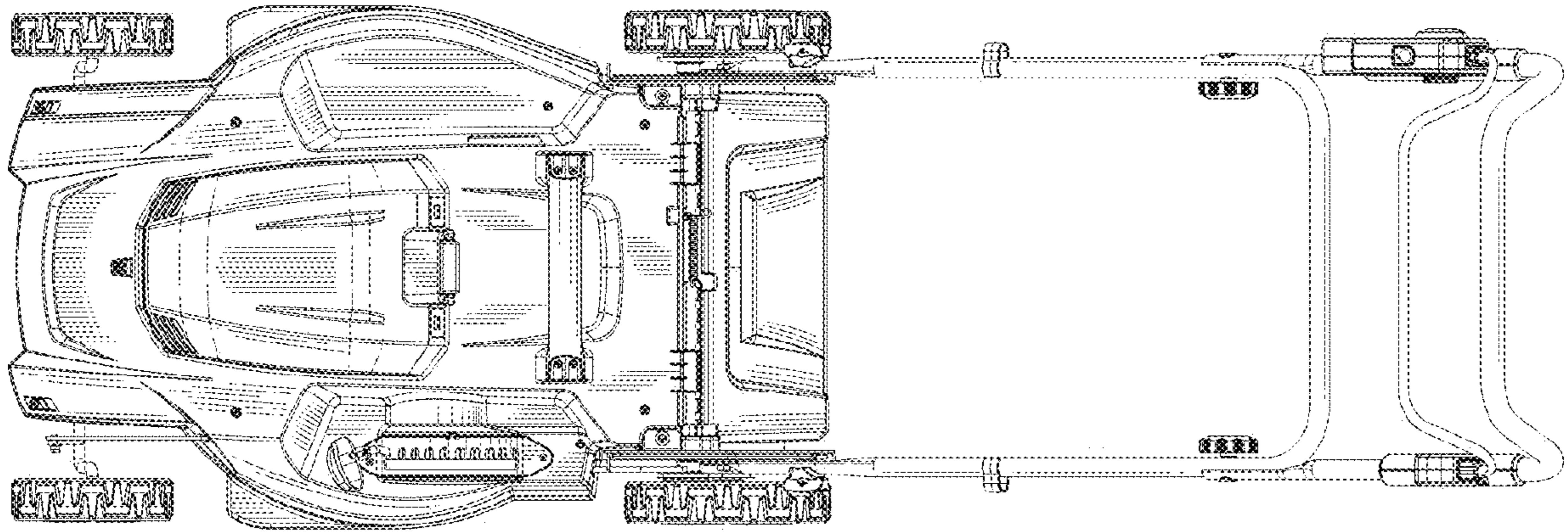


FIG. 5

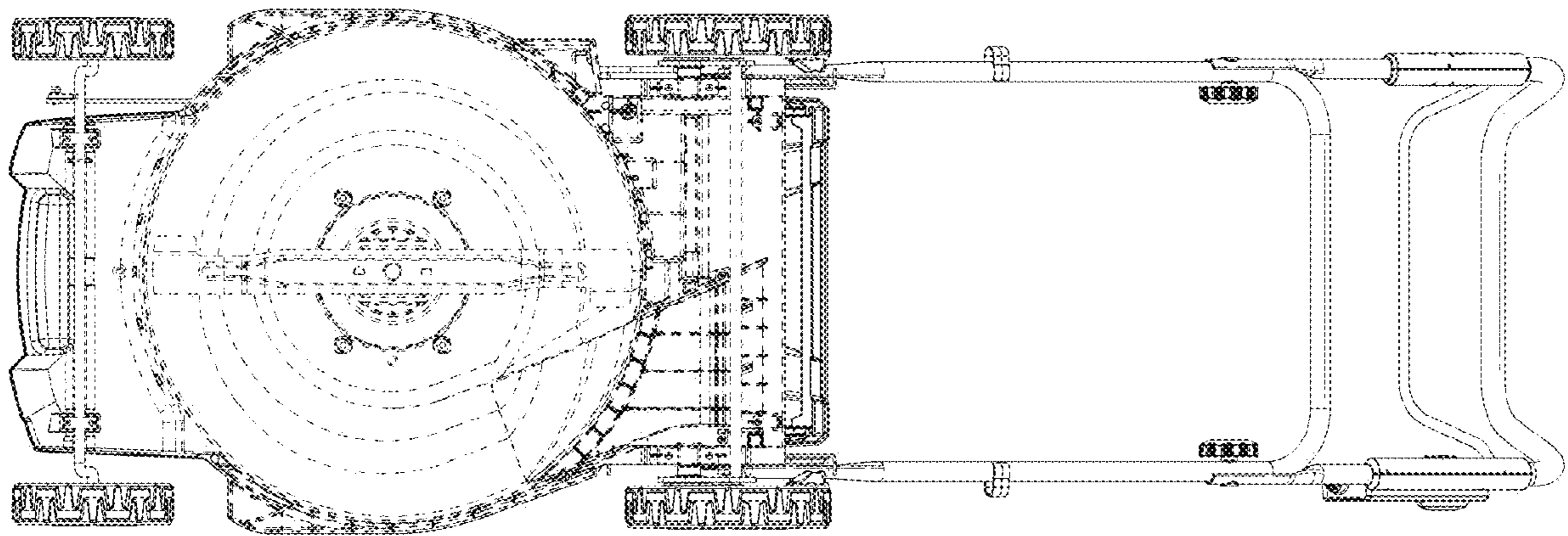


FIG. 6

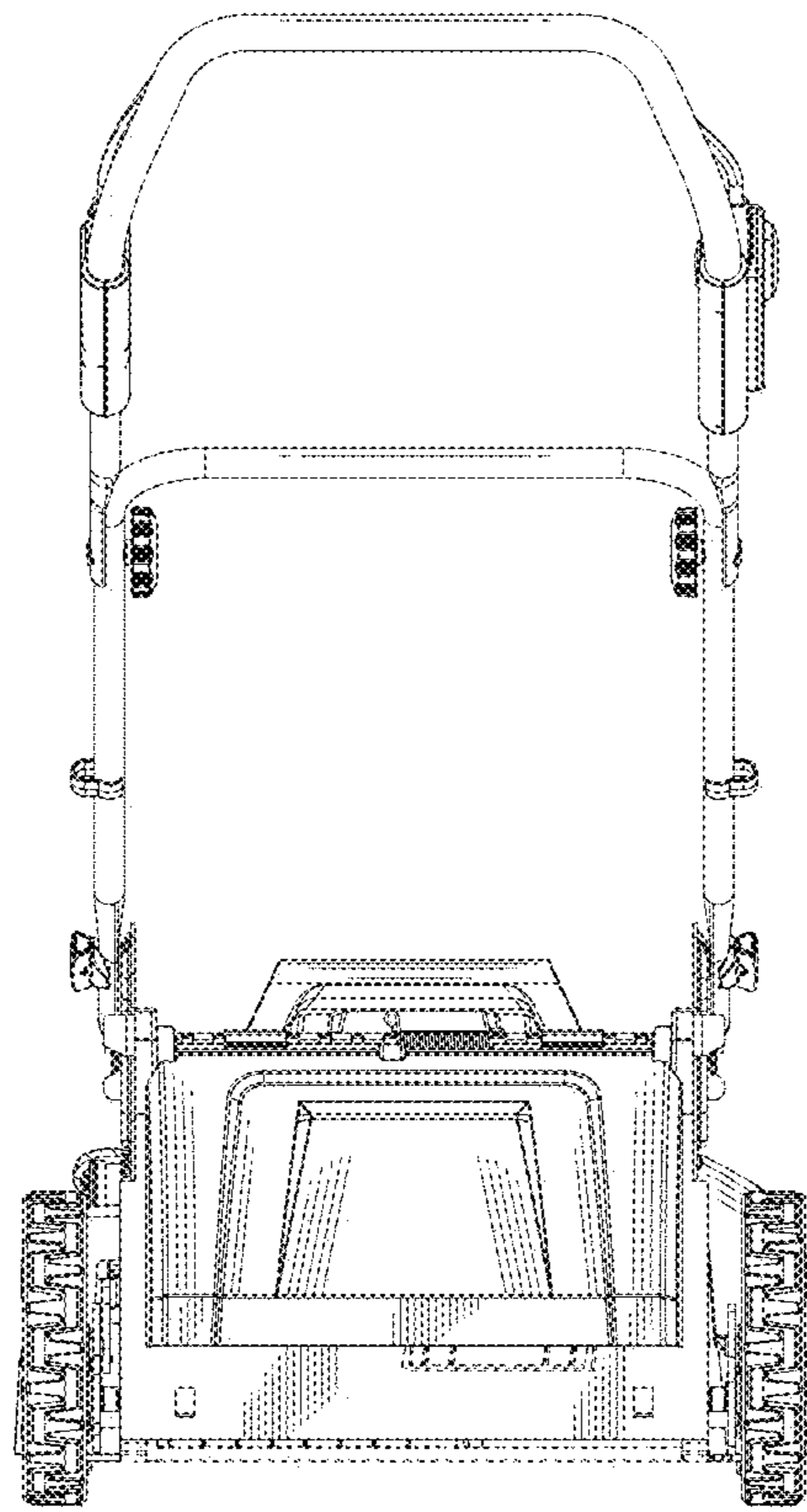


FIG. 7

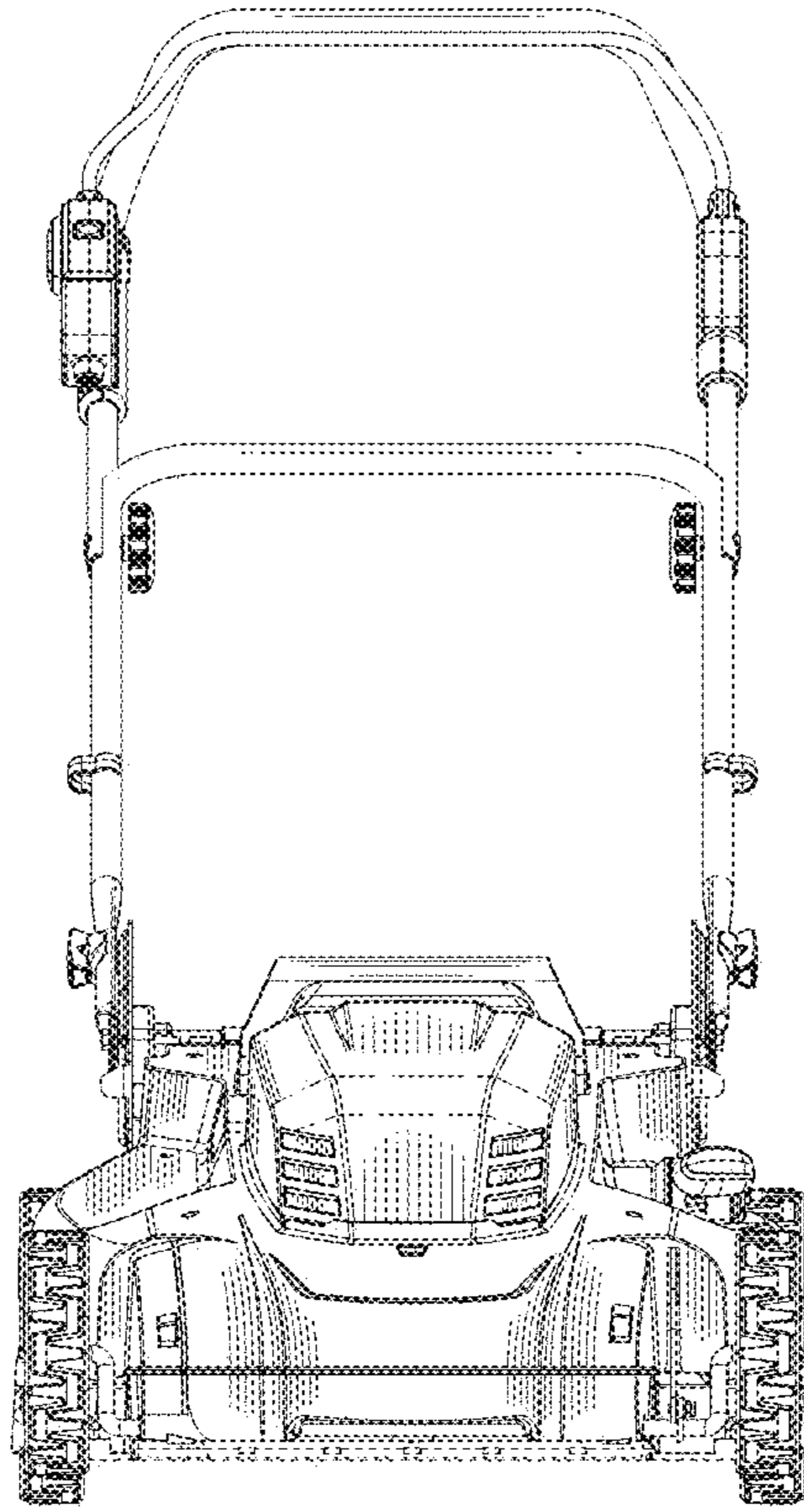


FIG. 8

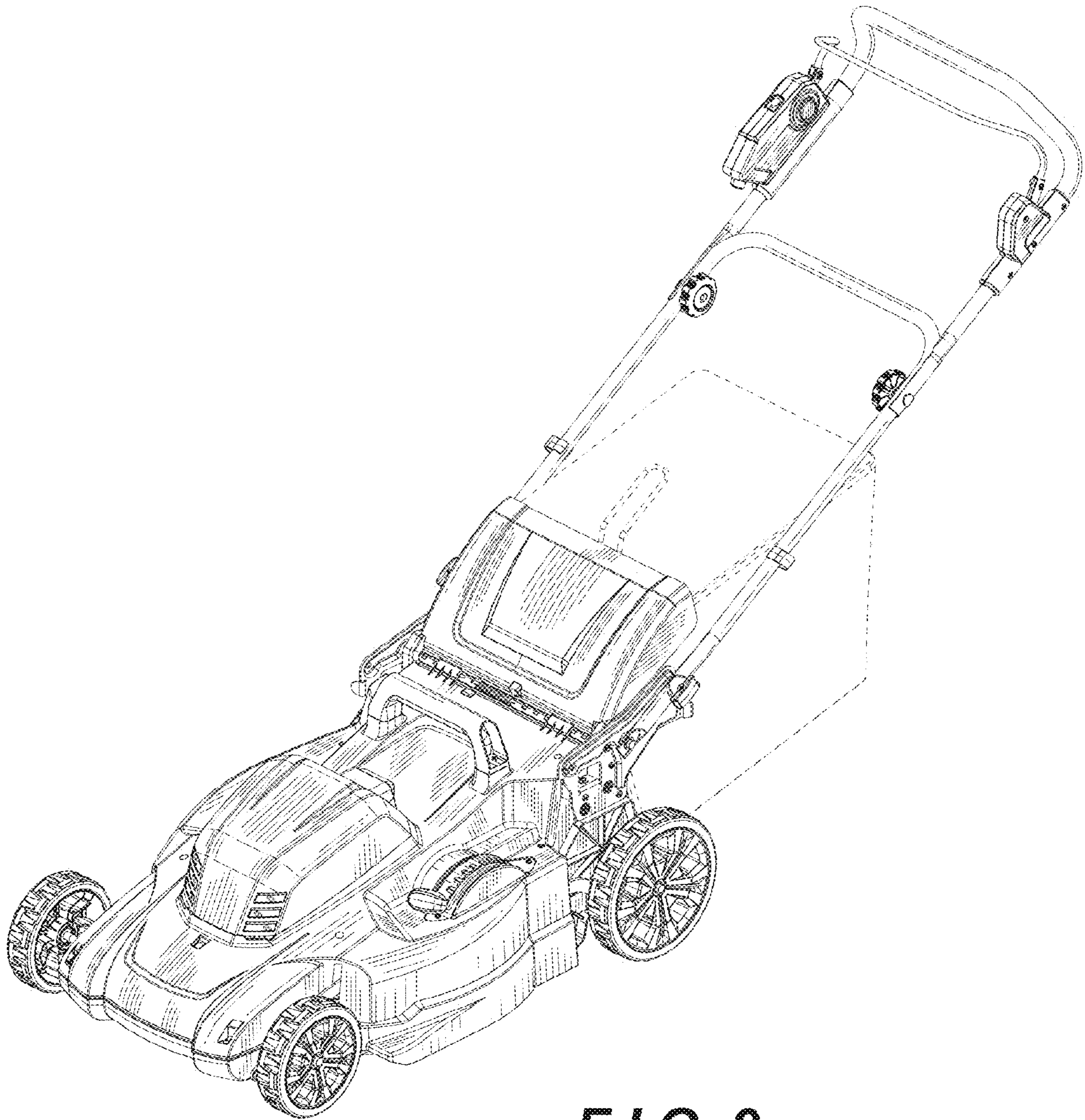


FIG. 9