



US00D976963S

(12) **United States Design Patent**  
**Underhill et al.**

(10) **Patent No.:** **US D976,963 S**  
(45) **Date of Patent:** **\*\* Jan. 31, 2023**

(54) **PORTABLE AIR COMPRESSOR**

(71) Applicant: **The Noco Company**, Glenwillow, OH (US)

(72) Inventors: **Derek Michael Underhill**, Chandler, AZ (US); **Matthew Michael Bosway**, Queen Creek, AZ (US); **Jonathan Lewis Nook**, Gates Mills, OH (US); **William Knight Nook, Sr.**, Shaker Heights, OH (US); **James Richard Stanfield**, Glendale, AZ (US)

(73) Assignee: **The Noco Company**, Glenwillow, OH (US)

(\*\*) Term: **15 Years**

(21) Appl. No.: **29/776,280**

(22) Filed: **Mar. 29, 2021**

**Related U.S. Application Data**

(60) Provisional application No. 63/161,177, filed on Mar. 15, 2021.

(51) **LOC (14) Cl.** ..... **15-02**

(52) **U.S. Cl.**  
USPC ..... **D15/9; D15/7**

(58) **Field of Classification Search**  
USPC ..... D15/7-9; D14/163, 165, 172, 203.3, D14/203.6, 209.1, 214, 221, 497, 499, D14/509, 510; D24/168, 186, 213, 217, D24/218, 233; D23/225, 231, 232, 366, D23/356; D13/107  
CPC ..... F04B 53/14; F04B 53/92; F04B 33/00; F04B 33/005; F04B 1/005; F04D 13/06; F04D 29/22; F04D 29/046; F04D 29/2266;

(Continued)

(56) **References Cited**

**U.S. PATENT DOCUMENTS**

D817,925 S \* 5/2018 Jang ..... D14/215  
D832,781 S \* 11/2018 Nook ..... D13/107  
D864,254 S \* 10/2019 Zhang ..... D15/9

(Continued)

**OTHER PUBLICATIONS**

Moozthemes.com, "10 Best Jump Boxes with Air Compressors", (published Jan. 31, 2022), Moozthemes Website, URL:<https://moozthemes.com/jump-box-with-air-compressors/> (Year: 2022).\*

(Continued)

*Primary Examiner* — Calvin E Vansant

*Assistant Examiner* — Mark T. Philipps

(74) *Attorney, Agent, or Firm* — Jones Day

(57) **CLAIM**

The ornamental design for a portable air compressor, as shown and described.

**DESCRIPTION**

FIG. 1 is a perspective view of a new design for a portable air compressor;

FIG. 2 is another perspective view thereof;

FIG. 3 is a top view thereof;

FIG. 4 is a bottom view thereof;

FIG. 5 is a left side view thereof;

FIG. 6 is a right side view thereof;

FIG. 7 is a front view thereof;

FIG. 8 is a rear view thereof;

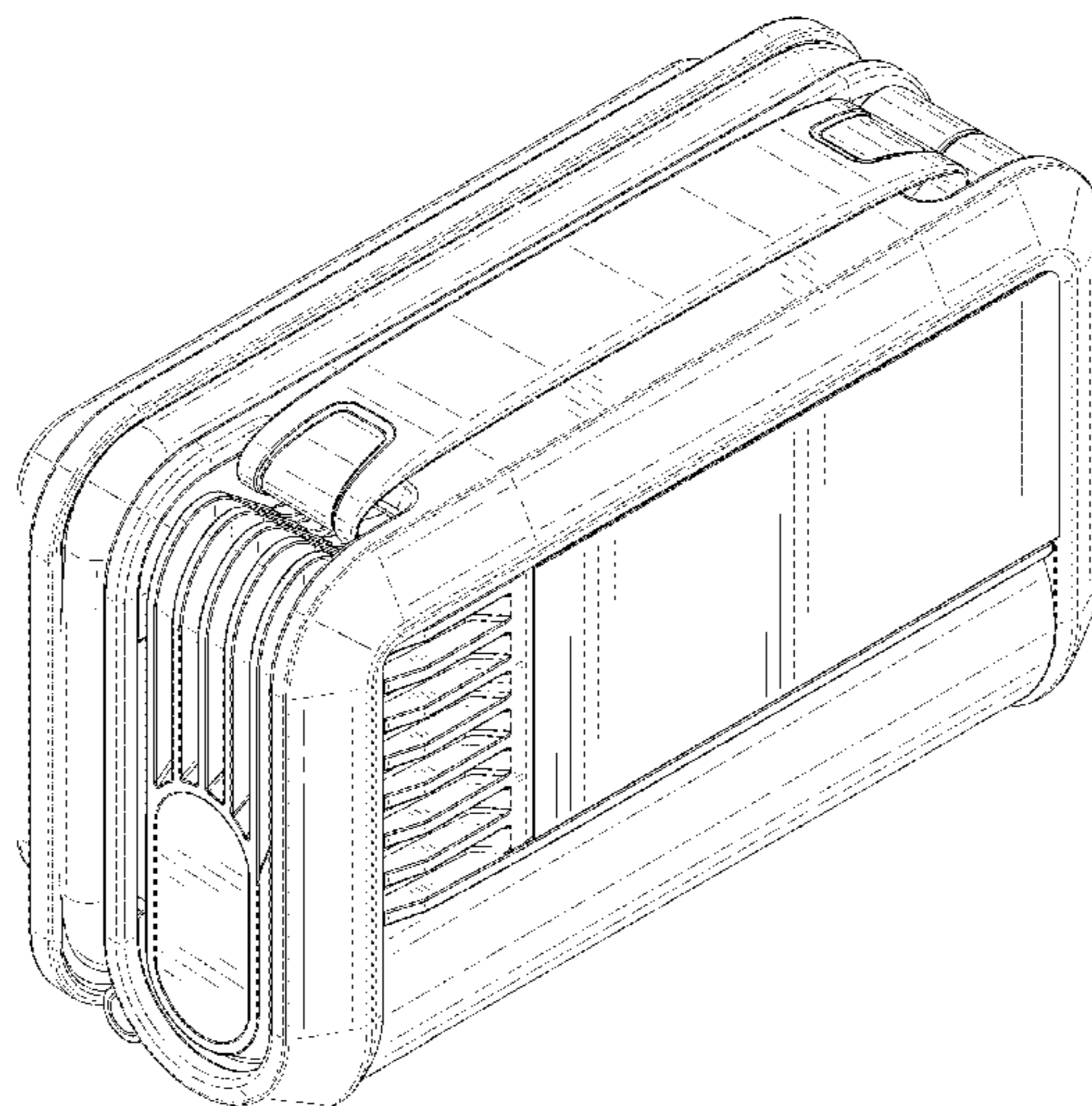
FIG. 9 is a further perspective view thereof with the hinged port access doors in a closed position;

FIG. 10 is the perspective view of FIG. 9 with the hinged port access doors in an opened position; and,

FIG. 11 is an even further perspective view with a pressure hose in an extended configuration.

The broken lines in the drawings depict environmental structure of the portable air compressor that form no part of the claimed design.

**1 Claim, 11 Drawing Sheets**



(58) **Field of Classification Search**

CPC .... F16K 11/048; F16K 15/20; F16K 31/602;  
F16L 37/18; F16L 37/20

See application file for complete search history.

(56) **References Cited**

U.S. PATENT DOCUMENTS

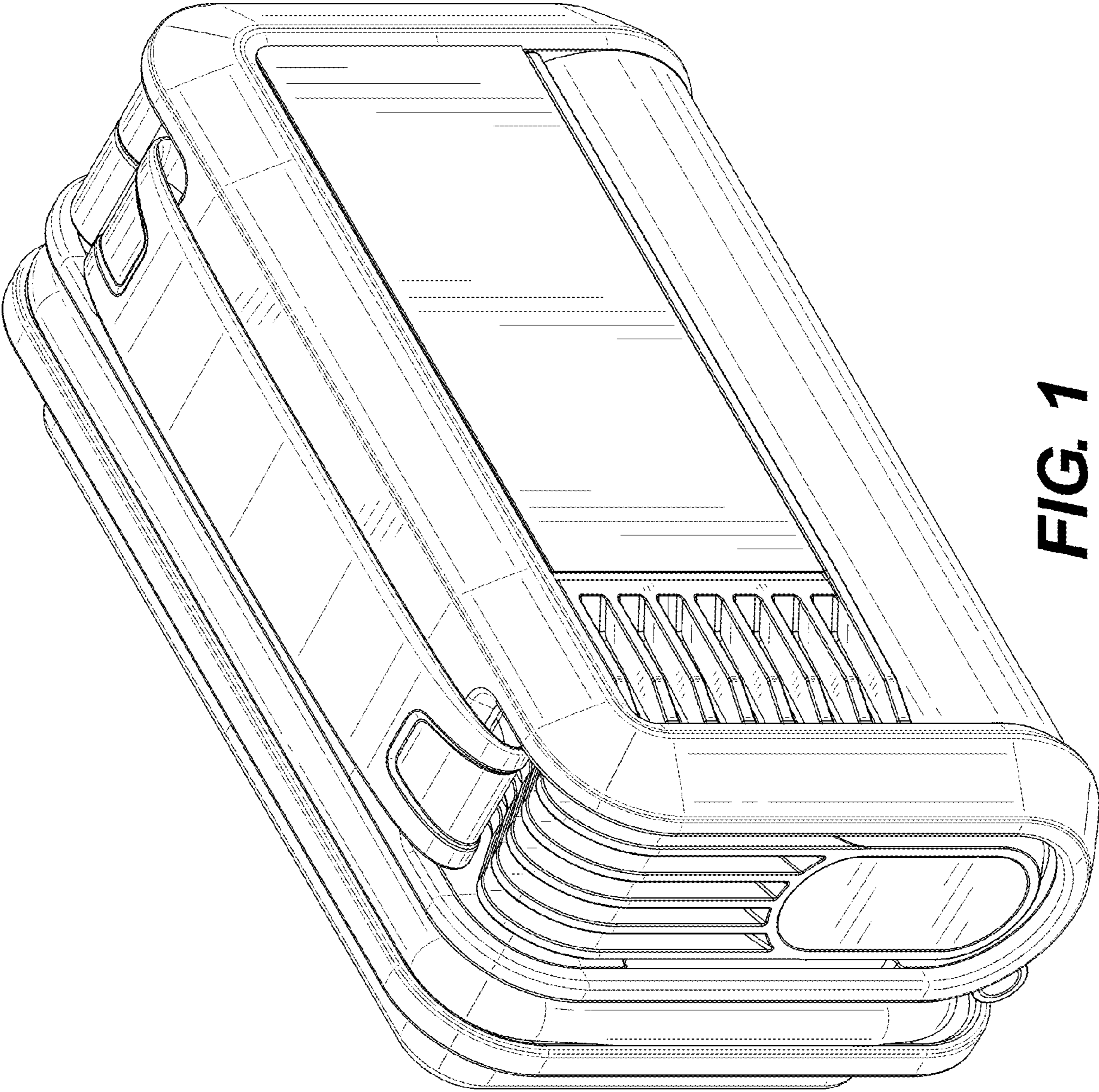
D911,935 S	*	3/2021	Alexander	.....	D13/107
D930,578 S	*	9/2021	Zheng	.....	D13/110
D939,079 S	*	12/2021	Harris	.....	D24/111
D942,643 S	*	2/2022	Zhao	.....	D24/217
D949,098 S	*	4/2022	Wang	.....	D13/116
D951,182 S	*	5/2022	Gong	.....	D13/103

OTHER PUBLICATIONS

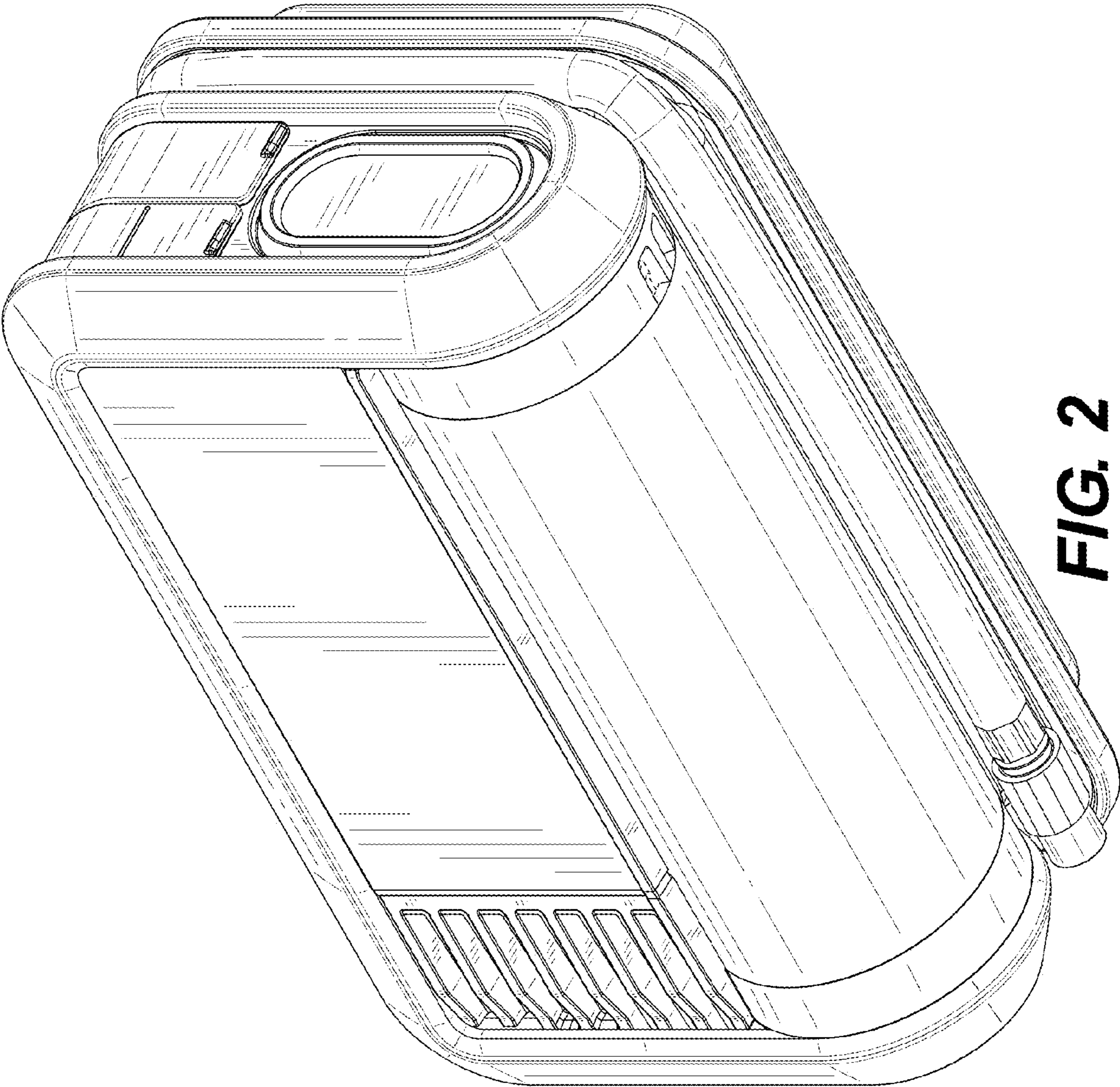
Hulkman, Alpha85S Jump Starter 2000 Amp, (first available Nov. 30, 2020), Amazon.com, URL:<<https://www.amazon.com/dp/B08PB48DG8>> (Year: 2020).\*

Buture, Portable Car Jump Starter with Air Compressor, (first available Nov. 1, 2021), Amazon.com, URL:<<https://www.amazon.com/Portable-Compressor-BUTURE-23800mAh-Emergency/dp/B09FJQ7F5R>> (Year: 2021).\*

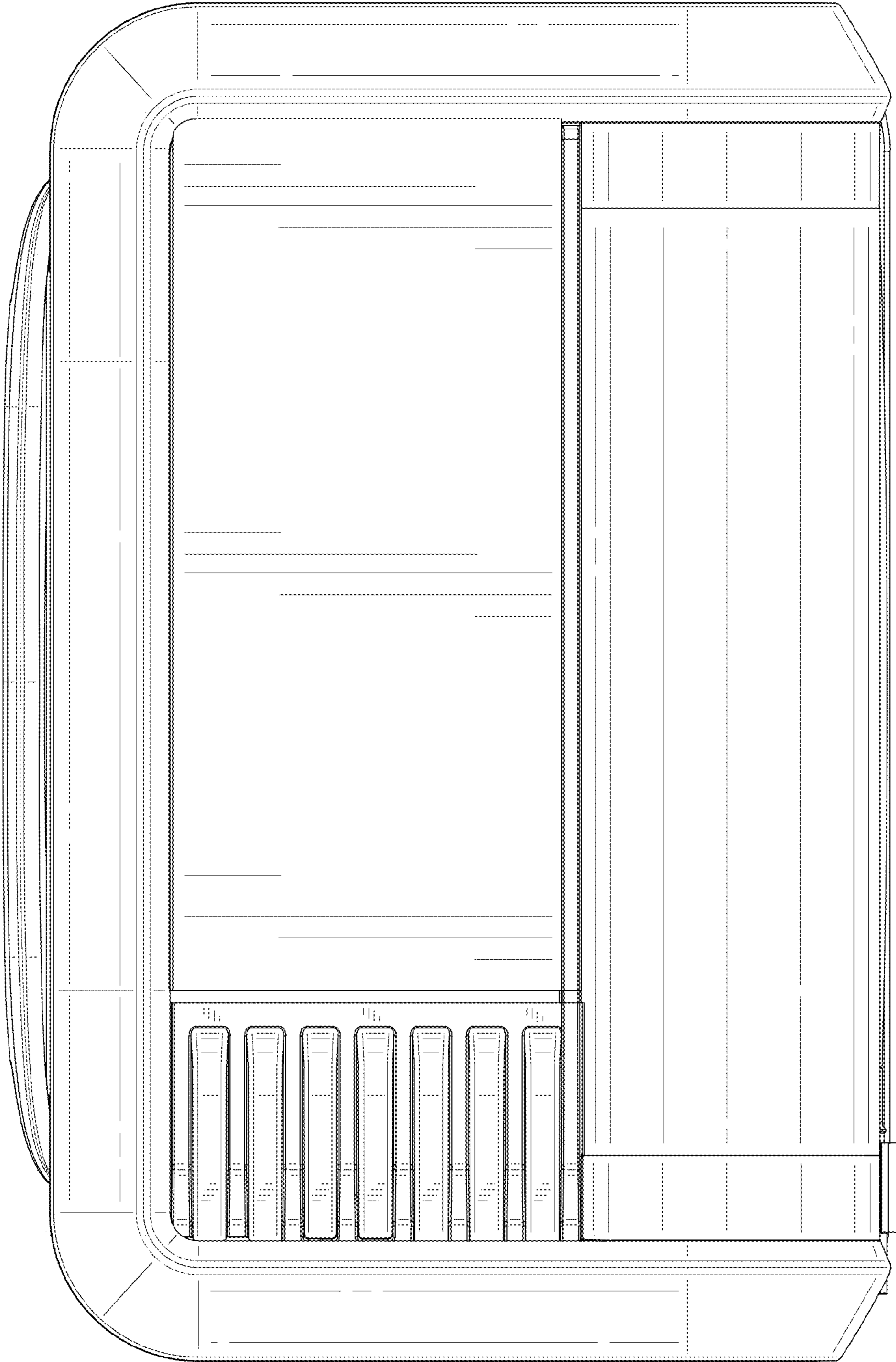
\* cited by examiner



**FIG. 1**



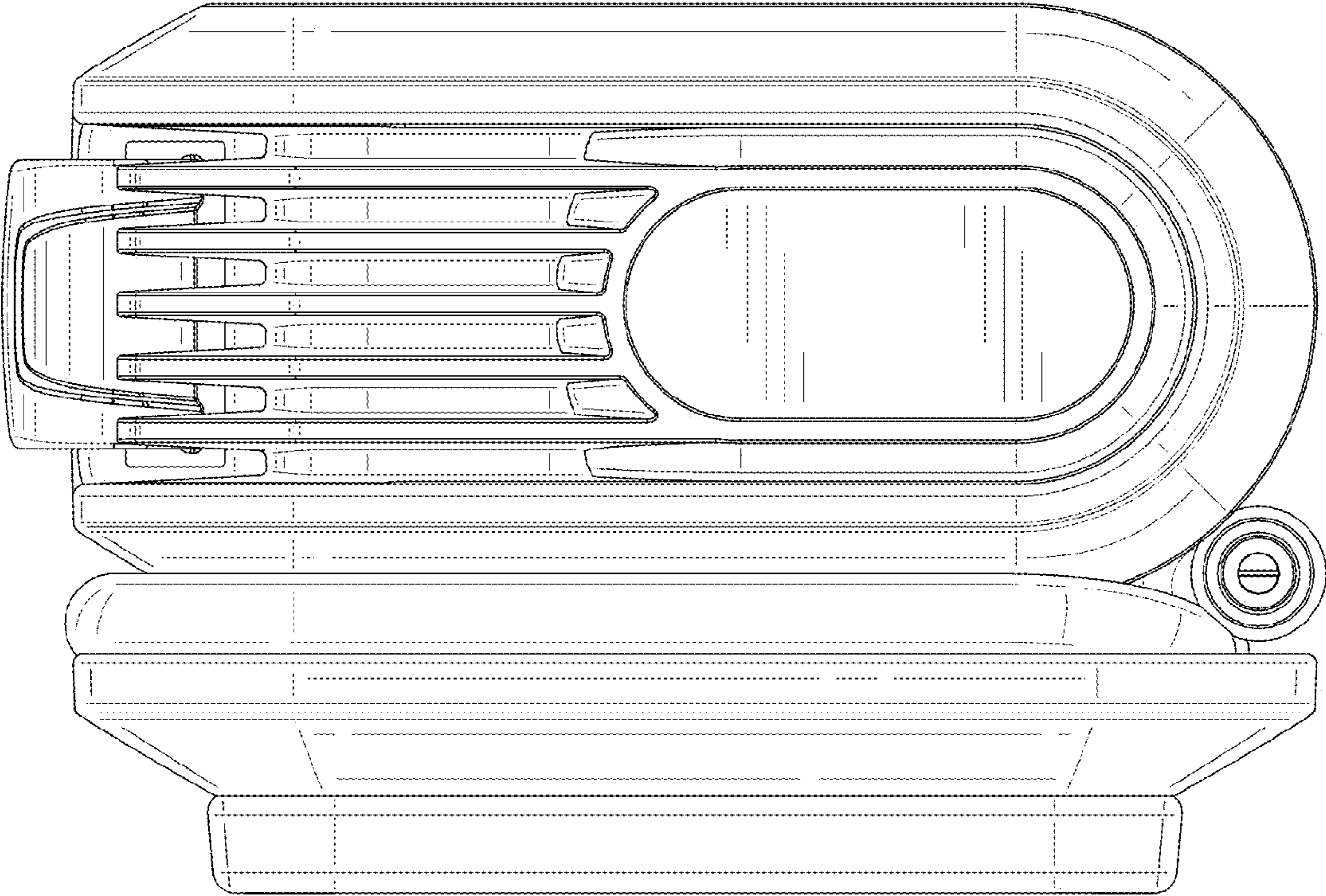
**FIG. 2**



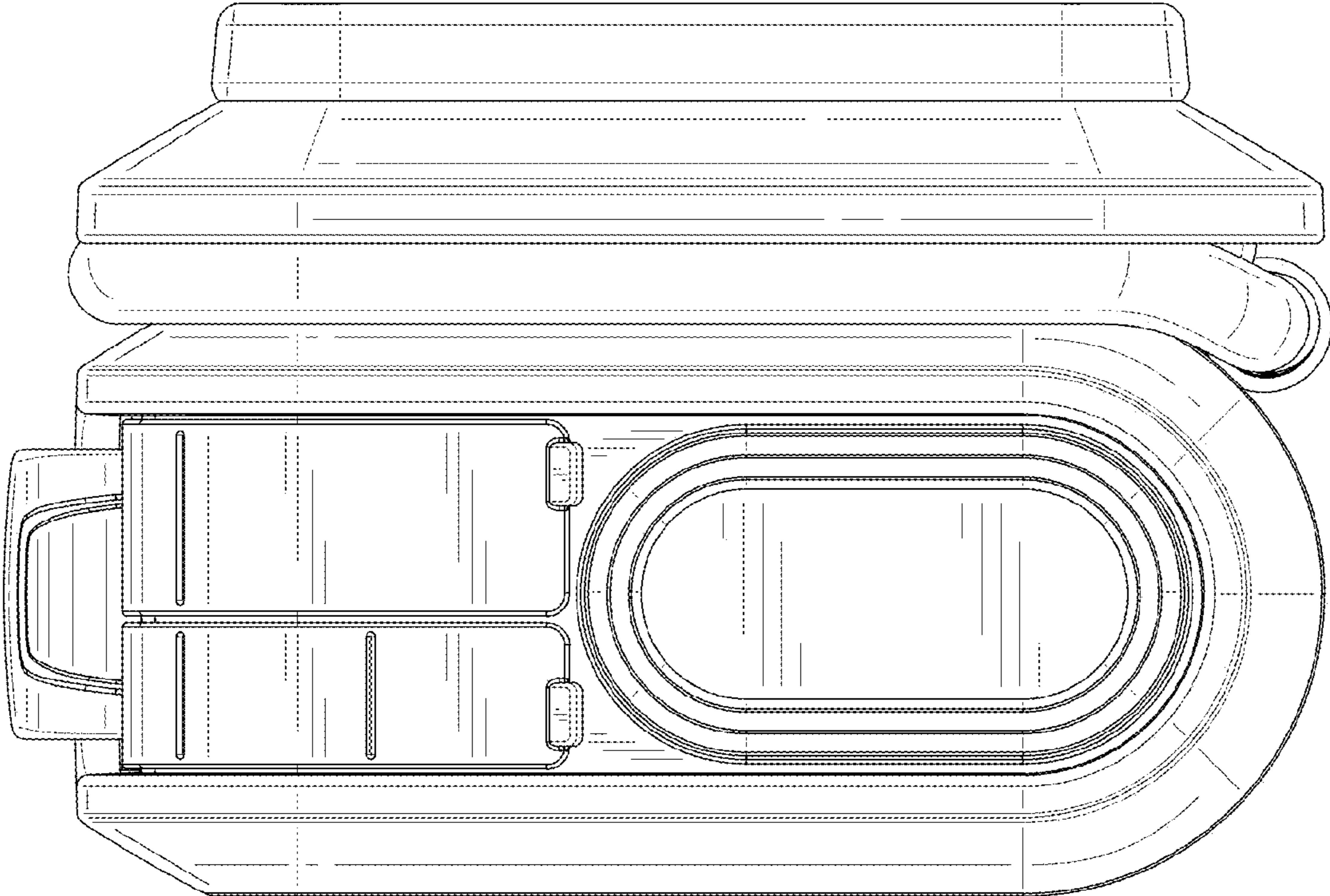
**FIG. 3**



**FIG. 4**

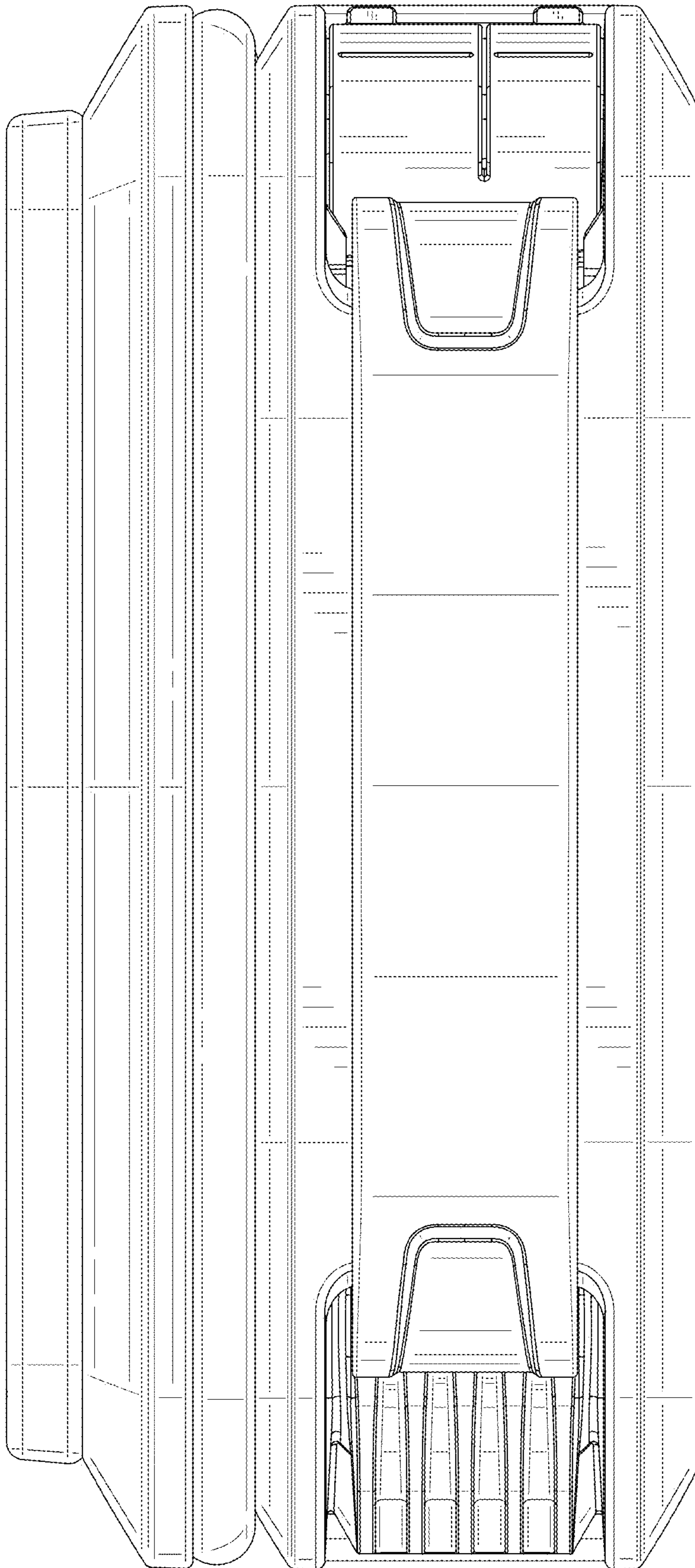


**FIG. 5**

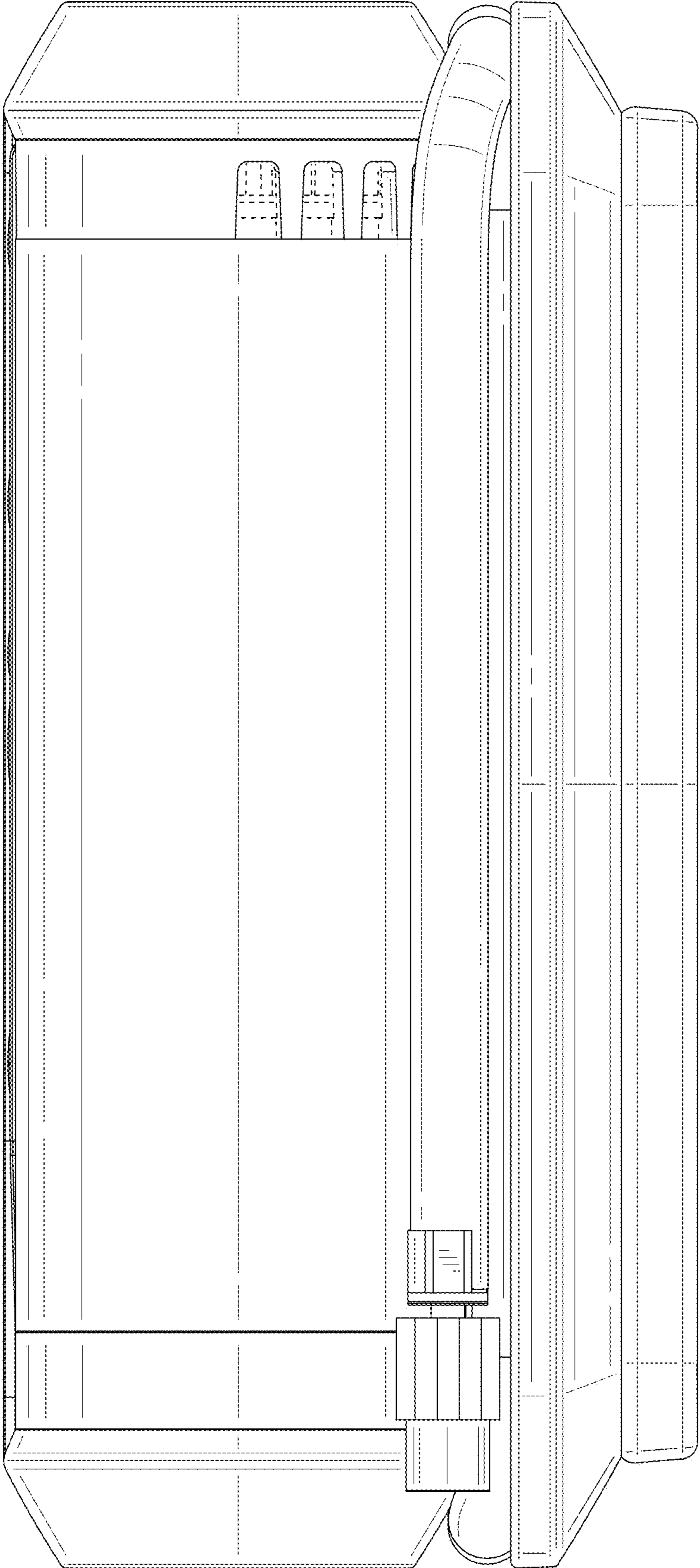


**FIG. 6**

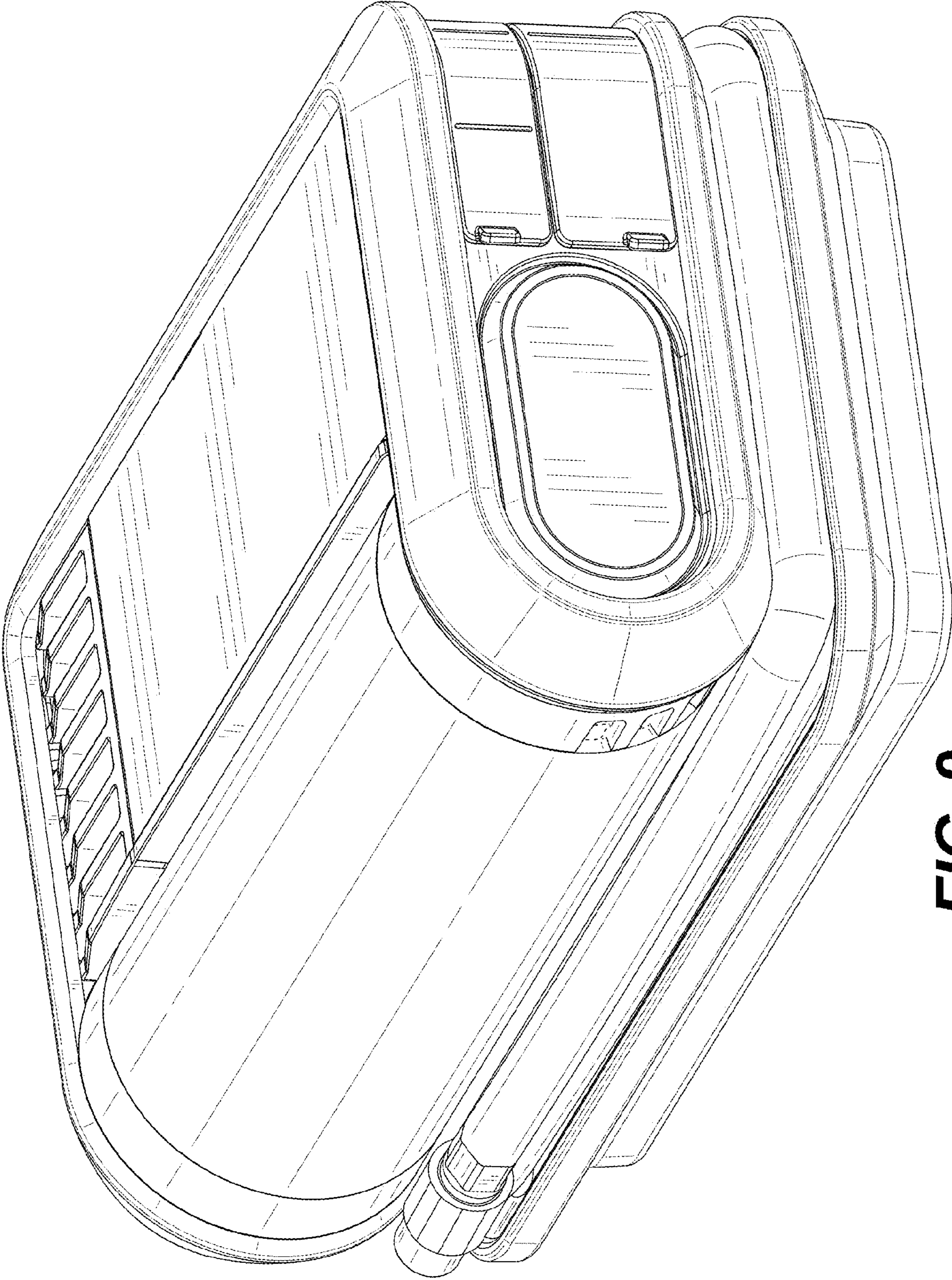




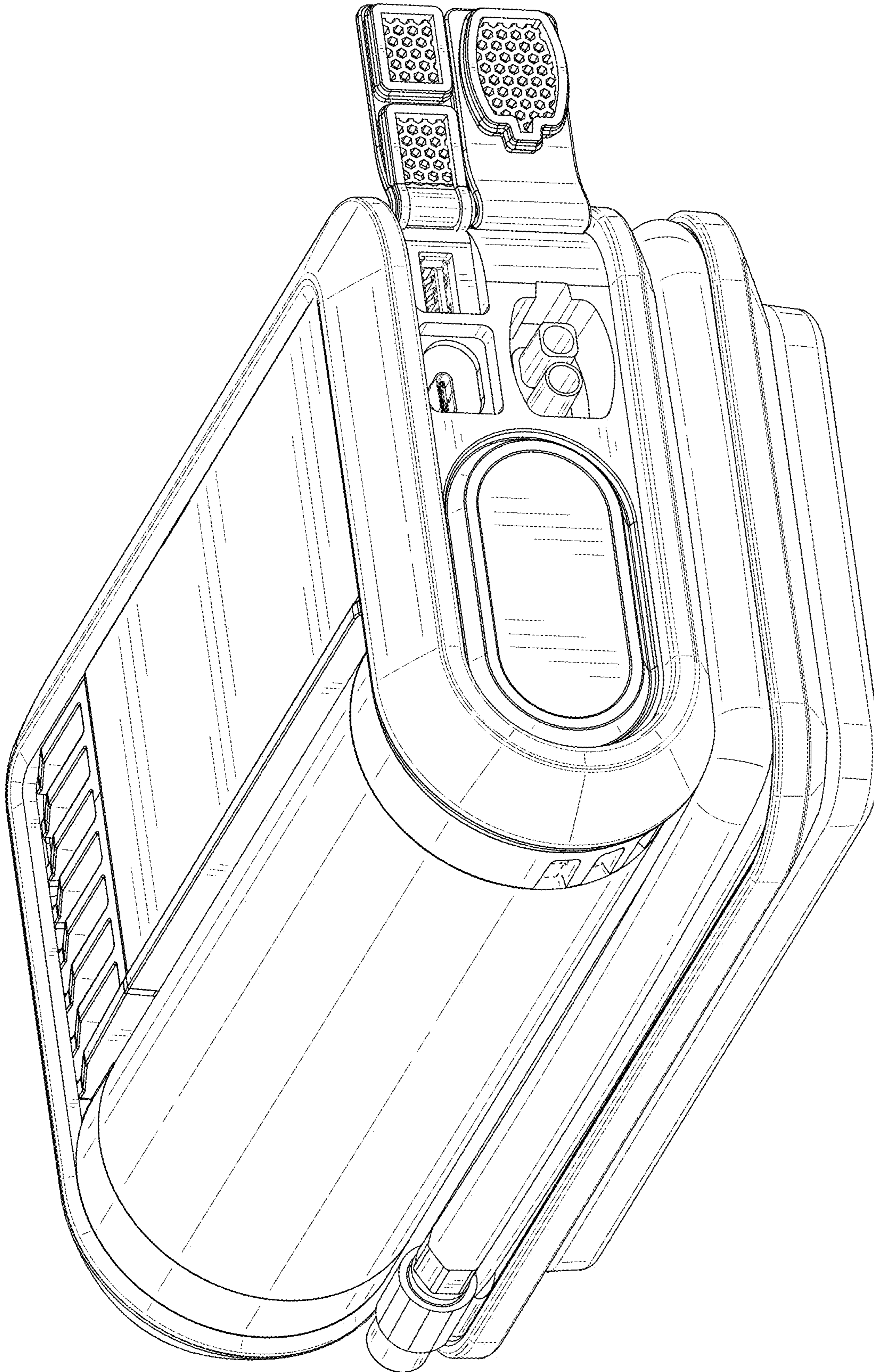
**FIG. 7**



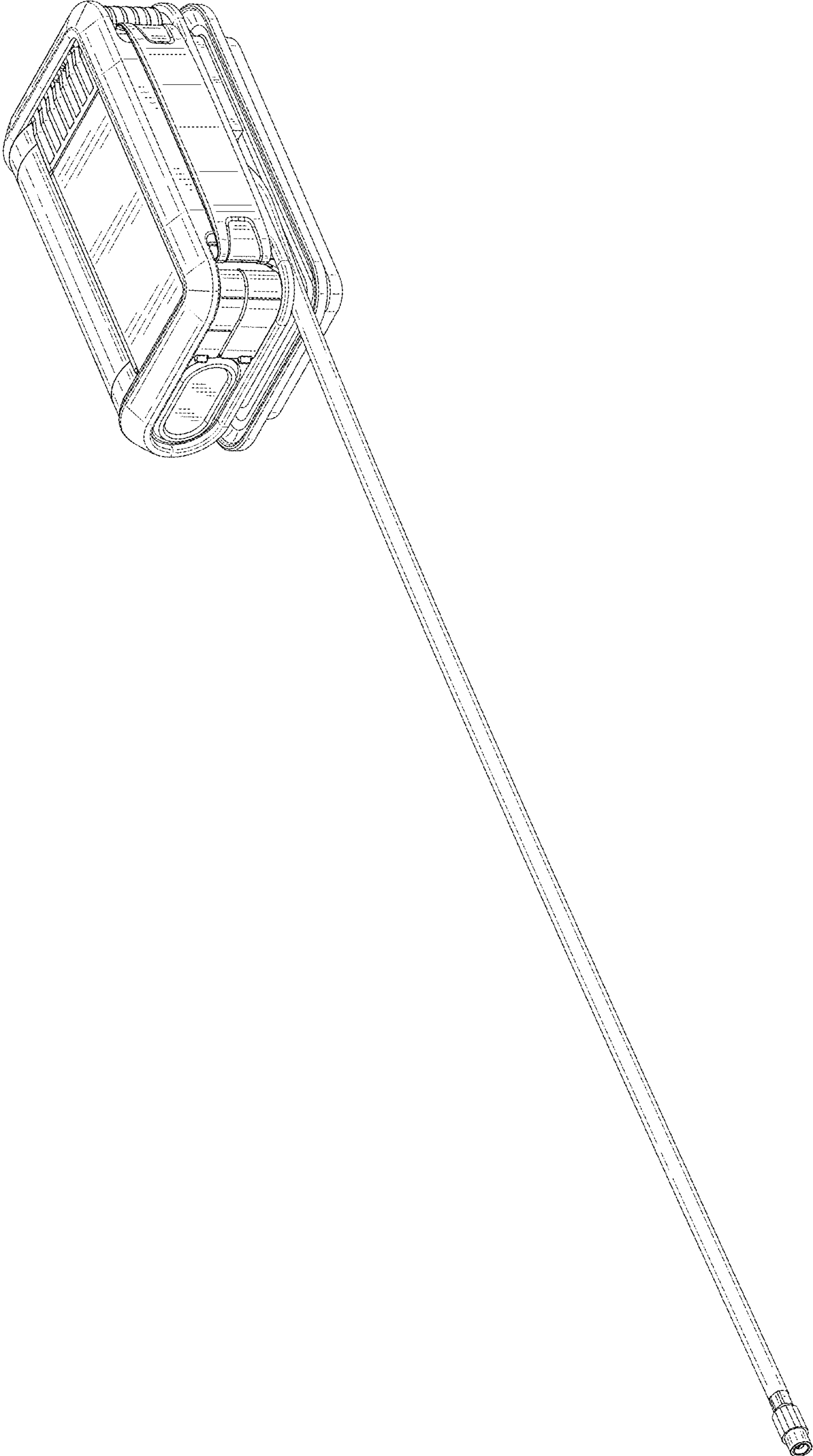
**FIG. 8**



**FIG. 9**



**FIG. 10**



**FIG. 11**