



US00D976962S

(12) **United States Design Patent**
Kjaerulff et al.

(10) **Patent No.:** **US D976,962 S**
(45) **Date of Patent:** **** Jan. 31, 2023**

(54) **ROTARY POSITIVE-DISPLACEMENT PUMP**

(71) Applicant: **Alfa Laval Corporate AB**, Lund (SE)

(72) Inventors: **Lars Kjaerulff**, Hadsund (DK); **Simon Cargill**, Eastbourne (GB)

(73) Assignee: **Alfa Laval Corporate AB**, Lund (SE)

(**) Term: **15 Years**

(21) Appl. No.: **35/512,258**

(22) Filed: **Jan. 19, 2021**

(80) **Hague Agreement Data**

Int. Filing Date: **Jan. 19, 2021**

Int. Reg. No.: **DM/212512**

Int. Reg. Date: **Jan. 19, 2021**

Int. Reg. Pub. Date: **Jul. 23, 2021**

(51) **LOC (14) Cl.** **15-02**

(52) **U.S. Cl.** **D15/7**

USPC **F02M 37/04** (2013.01)

(58) **Field of Classification Search**

USPC D15/7-9.3; D23/232, 231, 235

CPC F02M 37/04; F02M 37/14

See application file for complete search history.

(56) **References Cited**

U.S. PATENT DOCUMENTS

D196,621 S *	10/1963	Cook	D15/7
5,702,240 A *	12/1997	O'Neal	F04C 29/0035
				418/206.4
D435,855 S *	1/2001	Donelson	D15/7
D541,817 S *	5/2007	Puls	D15/7
D543,217 S *	5/2007	Puls	D15/7
D657,799 S *	4/2012	Jung	D15/7
D695,318 S *	12/2013	Link	D15/9
D726,771 S *	4/2015	Pansegrouw	D15/7
D745,058 S *	12/2015	Iversen	D15/7
D749,138 S *	2/2016	Martinez Sanudo	D15/7
D763,322 S *	8/2016	Haugaard	D15/7

D775,236 S *	12/2016	Brüning	D15/7
D787,561 S *	5/2017	Theiss	D15/7
D788,178 S *	5/2017	Theiss	D15/7
D788,179 S *	5/2017	Theiss	D15/7
D789,422 S *	6/2017	Theiss	D15/7
D815,152 S *	4/2018	Berry	D15/7
D818,005 S *	5/2018	Meda	D15/7
10,371,151 B2 *	8/2019	Daugaard	F04D 3/02
10,418,878 B2 *	9/2019	Berry	F04C 14/04
D884,034 S *	5/2020	Wang	D15/7
D896,845 S *	9/2020	Kjaerulff	D15/7
D896,846 S *	9/2020	Kjaerulff	D15/7
D896,847 S *	9/2020	Janardhan	D15/7
D949,205 S *	4/2022	Headley	D15/7
D955,441 S *	6/2022	Soja	D15/7

(Continued)

OTHER PUBLICATIONS

Alfa Laval Corp: Instruction Manual "Rotary Lobe Pumps—SX Range"; ESE00915-EN8; dated Sep. 2017; 42 pages.

(Continued)

Primary Examiner — Richard E Chilcot

(74) *Attorney, Agent, or Firm* — Tucker Ellis LLP

(57) **CLAIM**

The ornamental design for for a rotary positive-displacement pump, as shown and described.

DESCRIPTION

2. Rotary positive-displacement pump

2.1 : Perspective

2.2 : Perspective

2.3 : Front

2.4 : Back

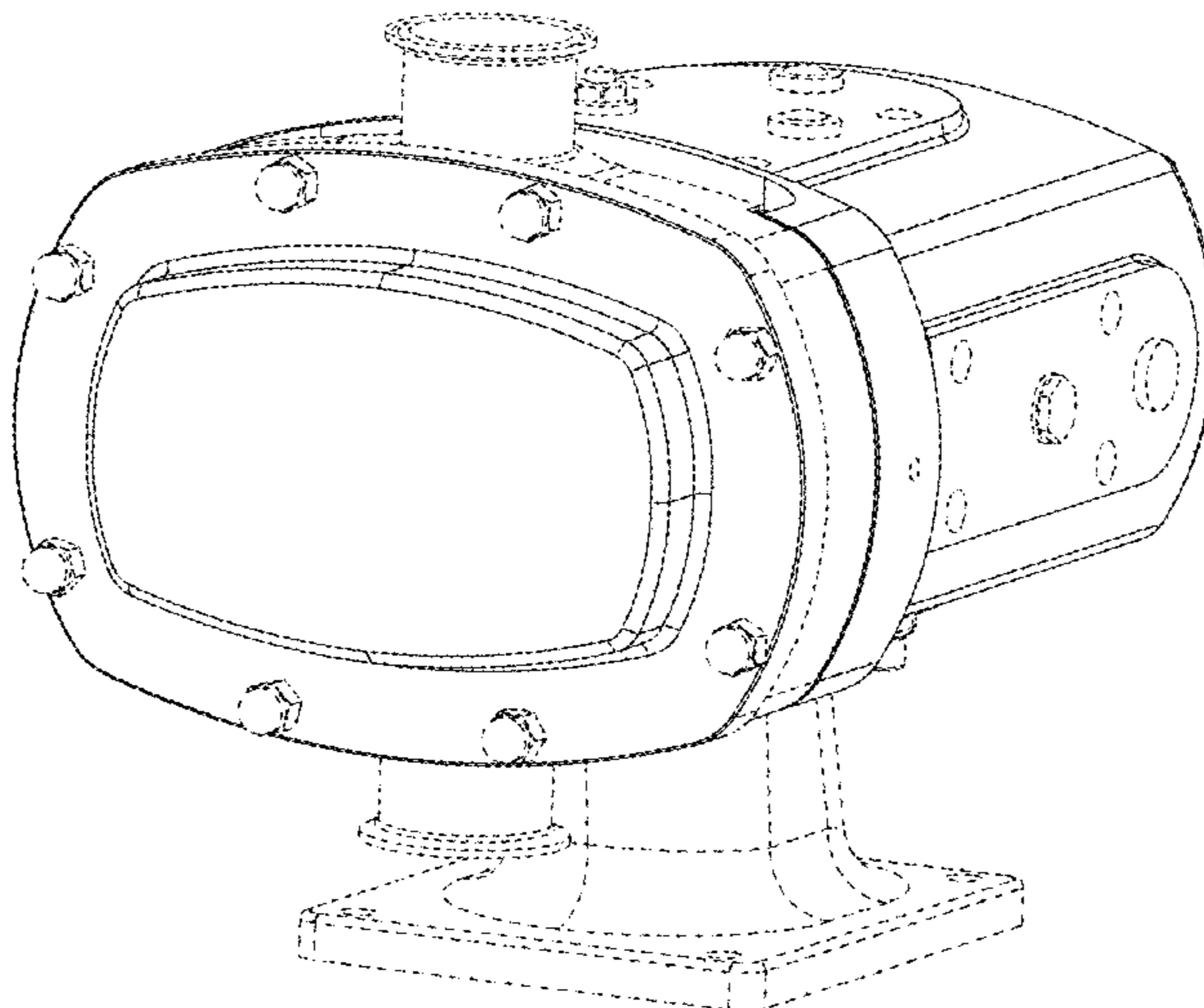
2.5 : Right

2.6 : Left

2.7 : Top

The broken lines shown are included for the purpose of illustrating unclaimed subject matter and form no part of the claimed design.

1 Claim, 7 Drawing Sheets



(56)

References Cited

U.S. PATENT DOCUMENTS

2013/0251581 A1* 9/2013 Christov F01C 21/10
418/191
2014/0241905 A1* 8/2014 Seith F04B 49/12
417/395
2015/0176581 A1* 6/2015 Hofseth F04C 7/00
417/68
2015/0226192 A1* 8/2015 Hines F04B 53/1002
417/413.1

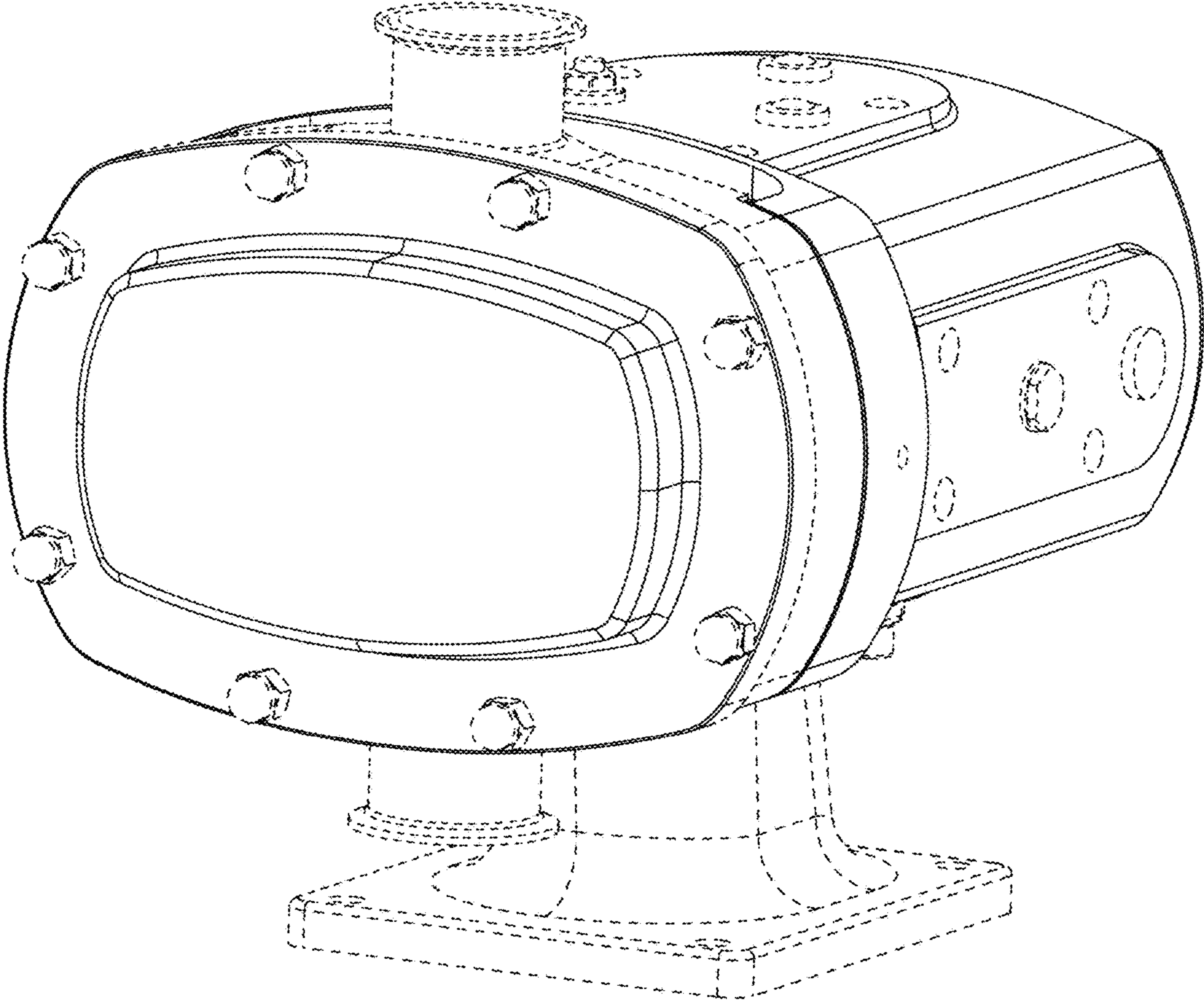
OTHER PUBLICATIONS

Alfa Laval Corp: Instruction Manual “Rotary Lobe Pumps—SRU Range”; ESE00693-EN14; dated Sep. 2017; 56 pages.

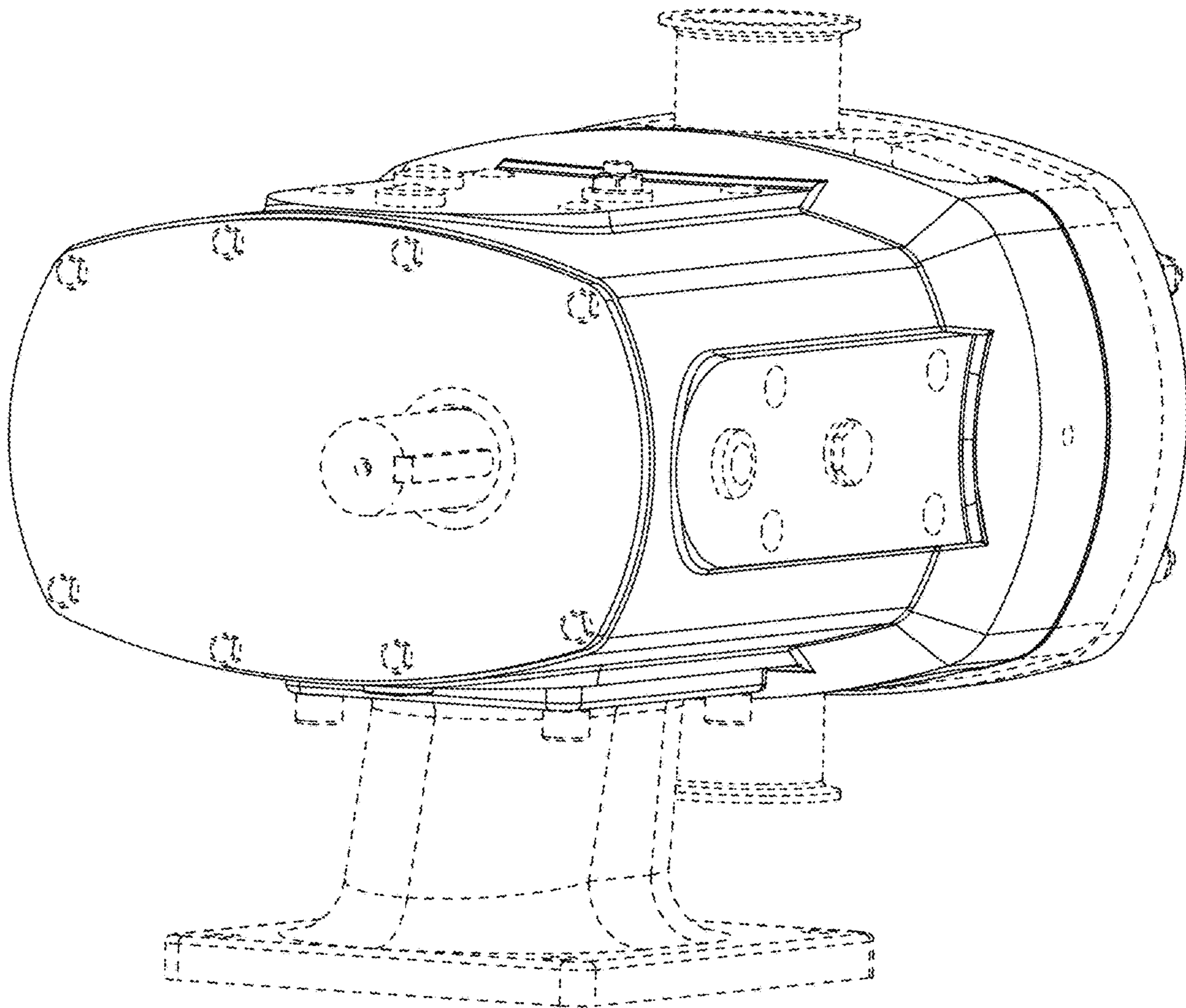
Alfa Laval Corp: Instruction Manual “SCPP 2 Circumferential Piston Pump”; ESE01682-EN4; dated Feb. 2016; 28 pages.

* cited by examiner

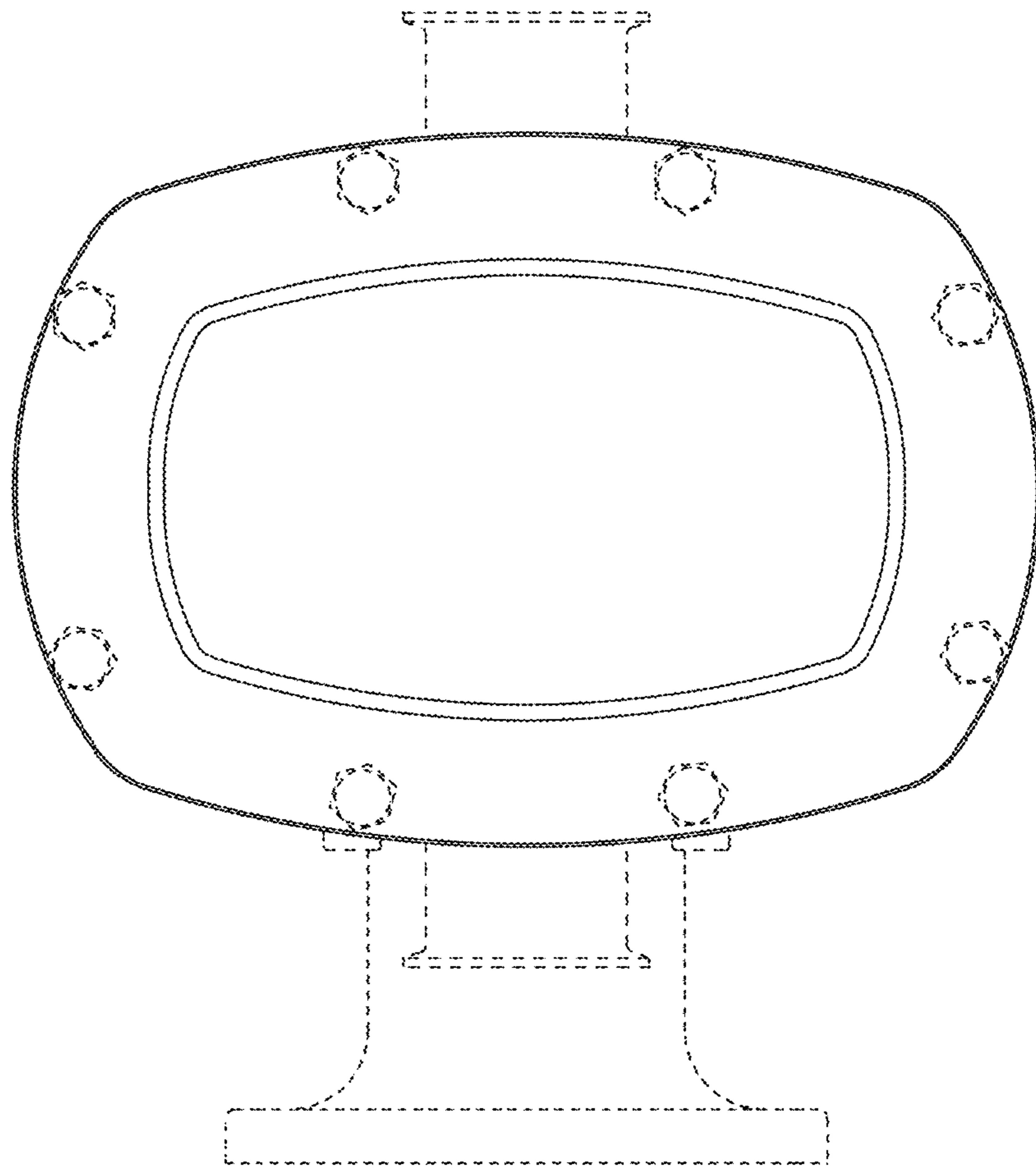
2.1



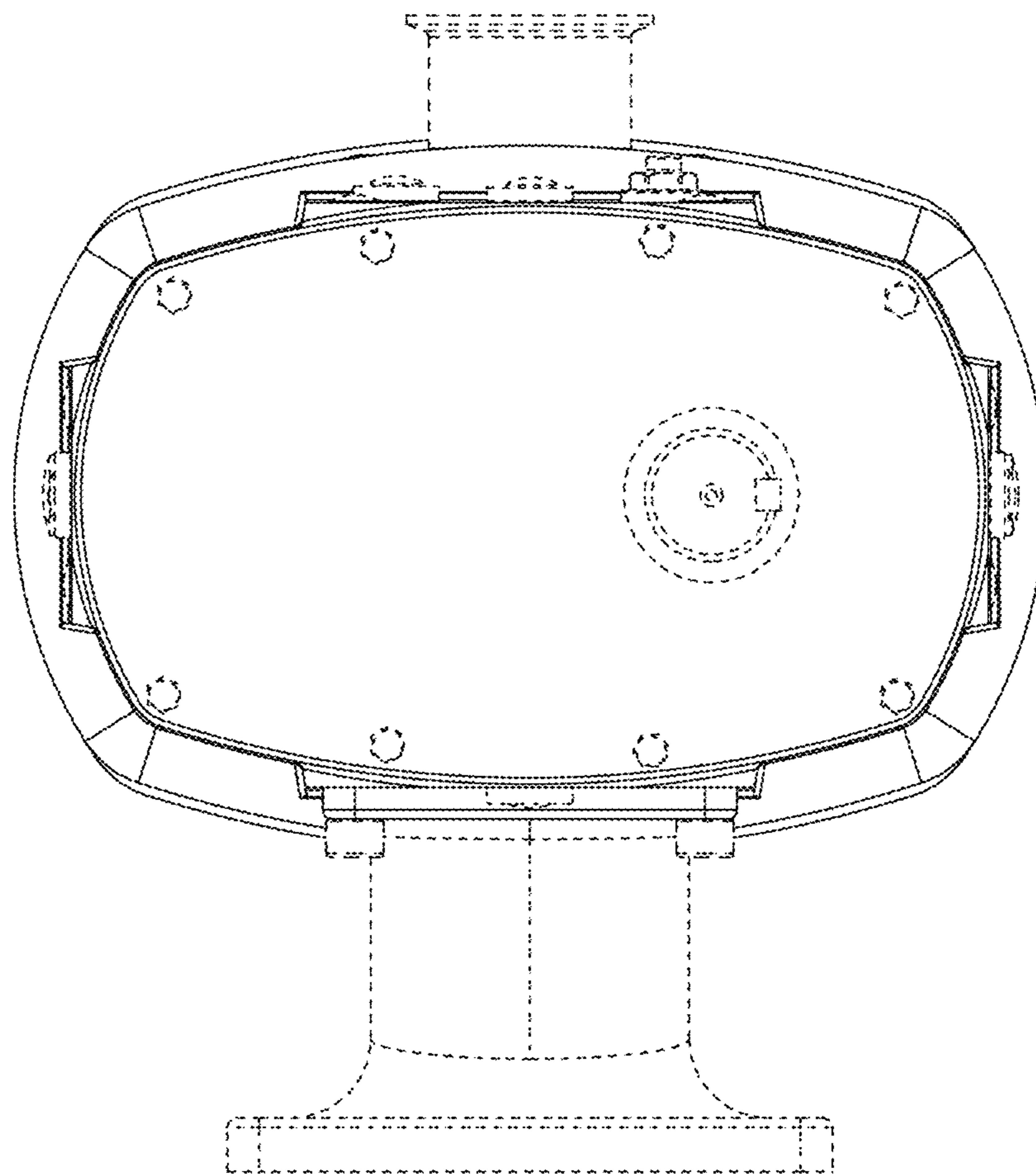
2.2



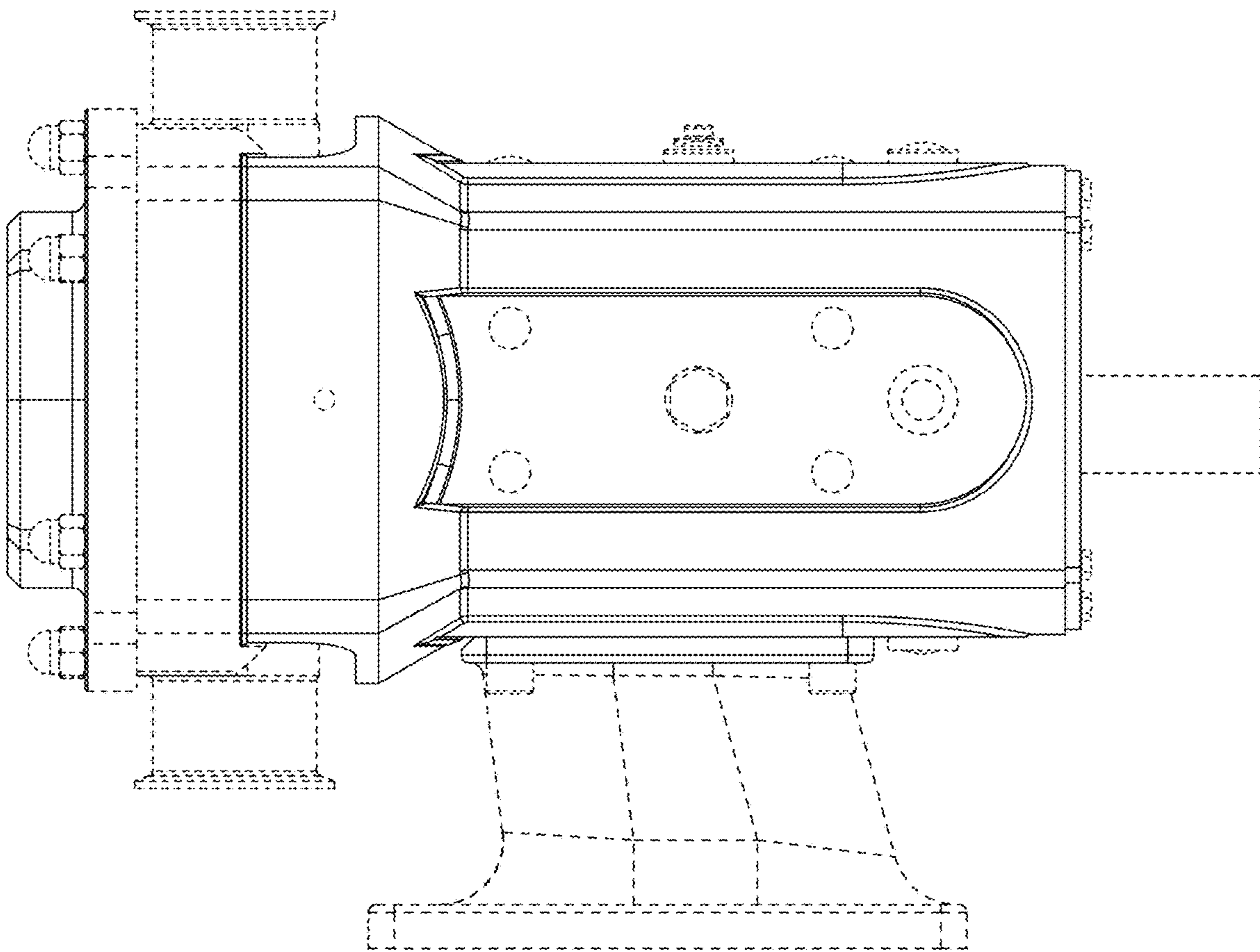
2.3



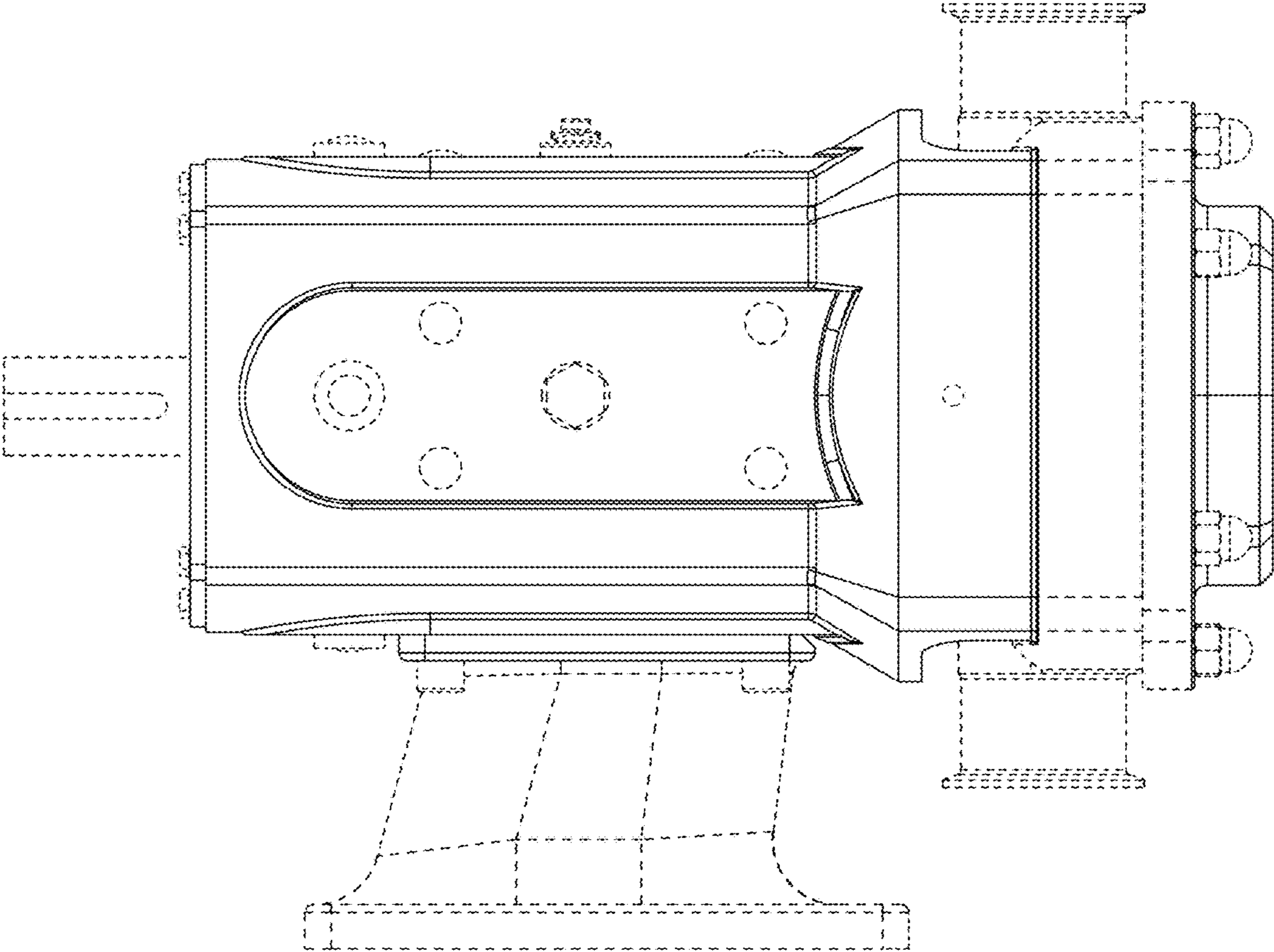
2.4



2.5



2.6



2.7

