



US00D976961S

(12) **United States Design Patent** (10) **Patent No.:** **US D976,961 S**
McFadden et al. (45) **Date of Patent:** **** Jan. 31, 2023**

(54) **HINGED INTAKE COVER FOR A BOAT HULL**

FOREIGN PATENT DOCUMENTS

(71) Applicants: **Jacob A. McFadden**, St. Petersburg, FL (US); **Jared R. McFadden**, Seminole, FL (US)

CA 2619408 4/2009

Primary Examiner — Ania Aman

(72) Inventors: **Jacob A. McFadden**, St. Petersburg, FL (US); **Jared R. McFadden**, Seminole, FL (US)

(74) *Attorney, Agent, or Firm* — Larson & Larson, P.A.; Frank Liebenow; Justin P. Miller

(**) Term: **15 Years**

(57) **CLAIM**

(21) Appl. No.: **29/785,055**

The ornamental design for a hinged intake cover for a boat hull, as shown and described.

(22) Filed: **May 24, 2021**

(51) **LOC (14) Cl.** **15-01**

DESCRIPTION

(52) **U.S. Cl.**

USPC **D15/4**

(58) **Field of Classification Search**

USPC D15/4, 5; D12/307, 317

CPC . B63H 11/01; B63H 2011/043; B63H 11/113;

B63H 20/30; B63H 20/32; B63H 11/04;

B63H 11/00; B63H 11/08; B63H 11/103;

B63H 20/285; F02M 35/168; F02M

35/167

See application file for complete search history.

FIG. 1 is a perspective view of a hinged intake cover for a boat hull showing our new design; FIG. 2 is a top plan view thereof; FIG. 3 is a bottom plan view thereof; FIG. 4 is a left side elevation view thereof; FIG. 5 is a right side elevation view thereof; FIG. 6 is a front elevation view thereof; FIG. 7 is a rear elevation view thereof; FIG. 8 is a left side cut-away view thereof; FIG. 9 is a perspective view thereof shown in an open configuration with the pin removed; FIG. 10 is a top plan view thereof shown in the open configuration with the pin removed; FIG. 11 is a bottom plan view thereof shown in an open configuration with the pin removed; FIG. 12 is a left side elevation view thereof shown in an open configuration with the pin removed; FIG. 13 is a right side elevation view thereof shown in an open configuration with the pin removed; FIG. 14 is a front elevation view thereof shown in an open configuration with the pin removed; and, FIG. 15 is a rear elevation view thereof shown in an open configuration with the pin removed.

(56) **References Cited**

U.S. PATENT DOCUMENTS

3,040,695 A 2/1960 Austin
3,147,733 A 9/1964 Engel
3,580,210 A * 5/1971 Svensen B63H 11/01
60/221

4,027,617 A 6/1977 Ikeda et al.
5,215,487 A * 6/1993 Gruber B63H 21/38
440/88 M

5,391,099 A * 2/1995 Allain F02B 61/045
440/77

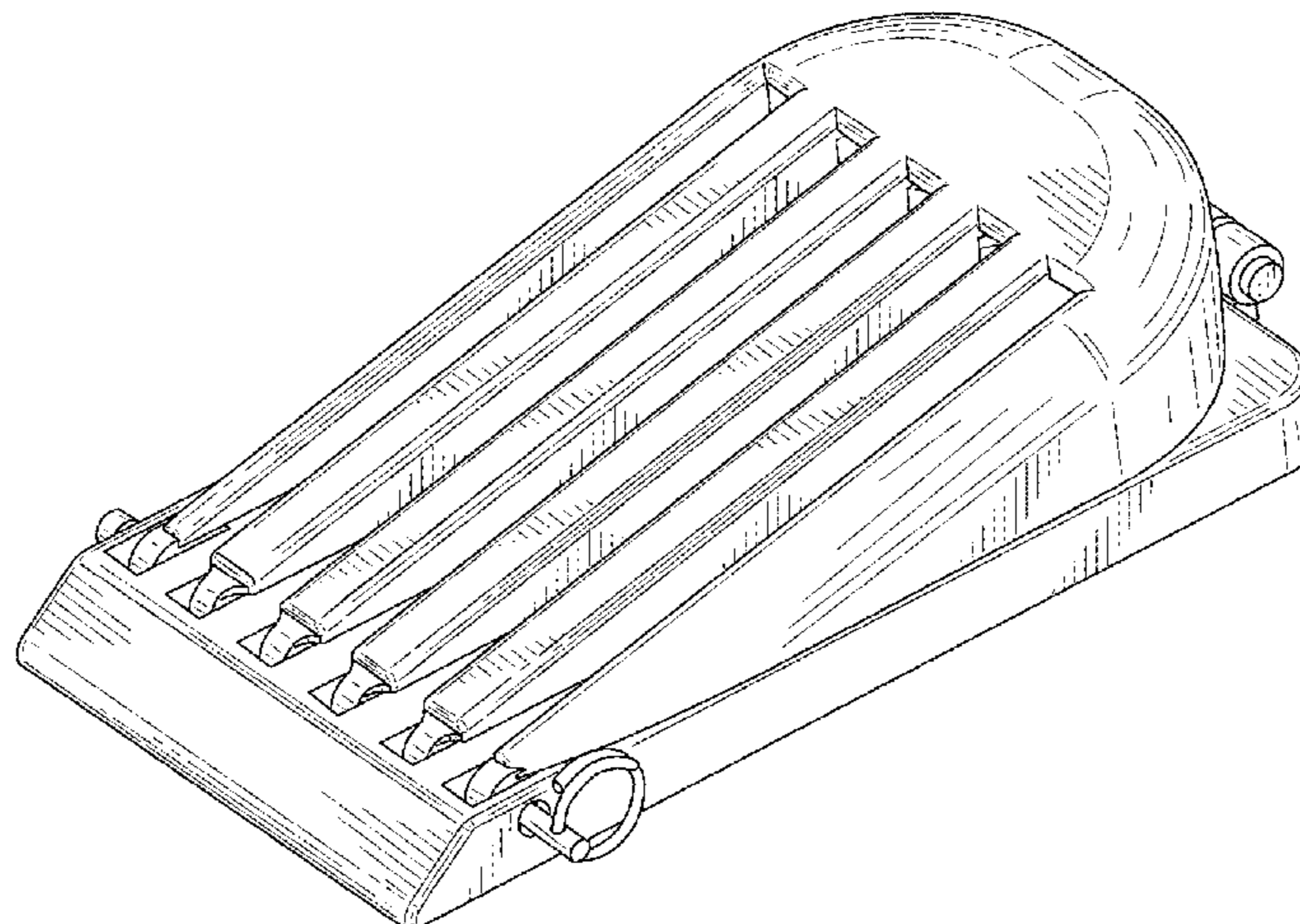
5,577,941 A * 11/1996 Chartier B63H 11/04
440/46

5,876,258 A * 3/1999 Gray B63H 11/08
440/46

6,722,152 B1 4/2004 Hille et al.

(Continued)

1 Claim, 11 Drawing Sheets



(56)

References Cited

U.S. PATENT DOCUMENTS

7,270,583 B1 * 9/2007 Yeun-Junn B63H 11/107
440/38
7,794,294 B2 9/2010 Carlson
8,070,539 B2 12/2011 Carlson
D743,866 S 11/2015 Carlson
D795,783 S * 8/2017 Johannesson D12/317
10,099,763 B1 10/2018 Guerette et al.
10,919,608 B1 * 2/2021 Kunanec B63H 11/08
2004/0226533 A1 * 11/2004 Yazaki F01N 13/12
60/323
2013/0149920 A1 * 6/2013 Sugiyama B63H 20/001
440/88 M
2020/0224581 A1 * 7/2020 Angelle B63H 20/12
2021/0147055 A1 * 5/2021 Kimball B63H 11/04
2021/0331775 A1 * 10/2021 Lin B63H 11/08

* cited by examiner

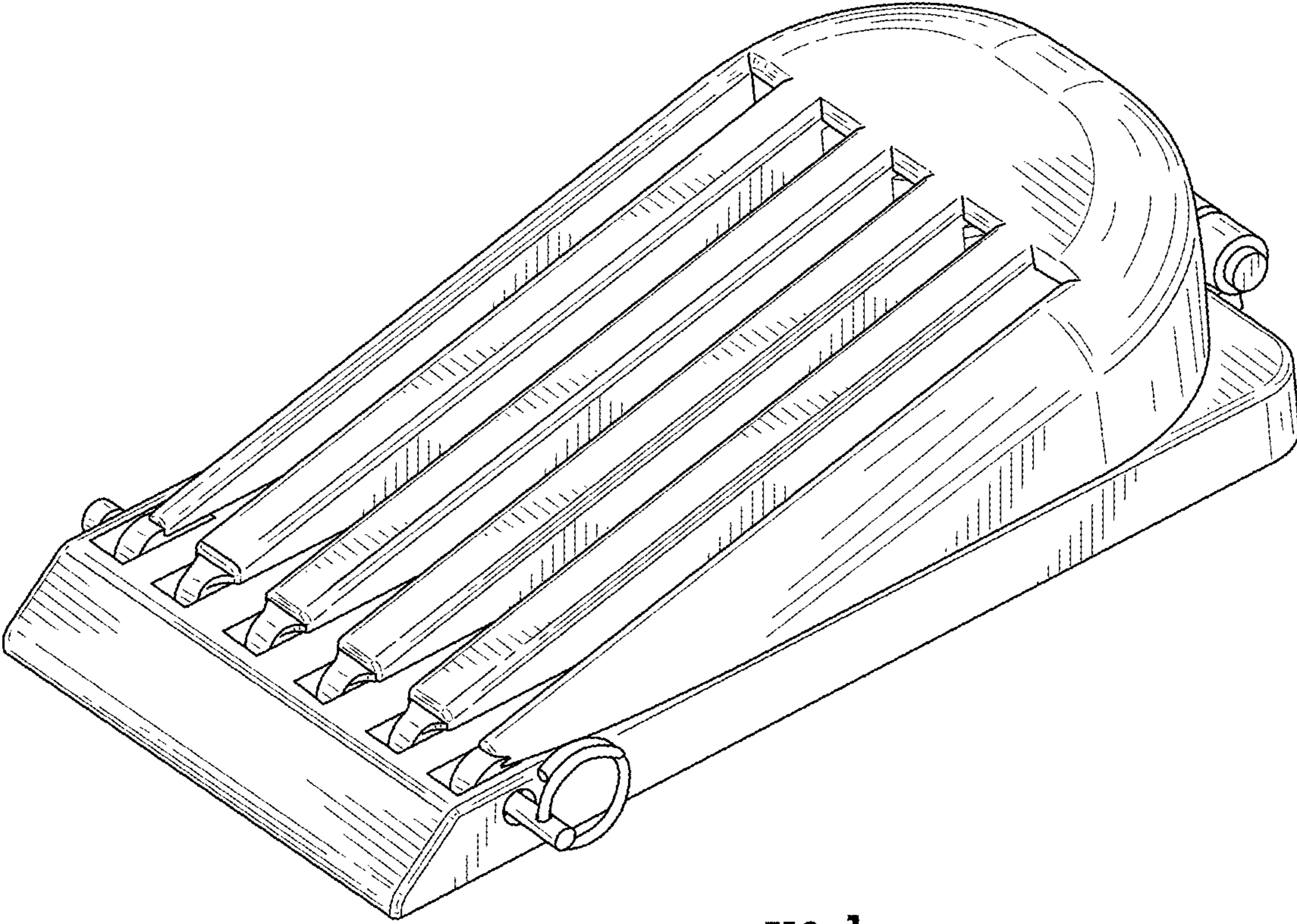


FIG. 1

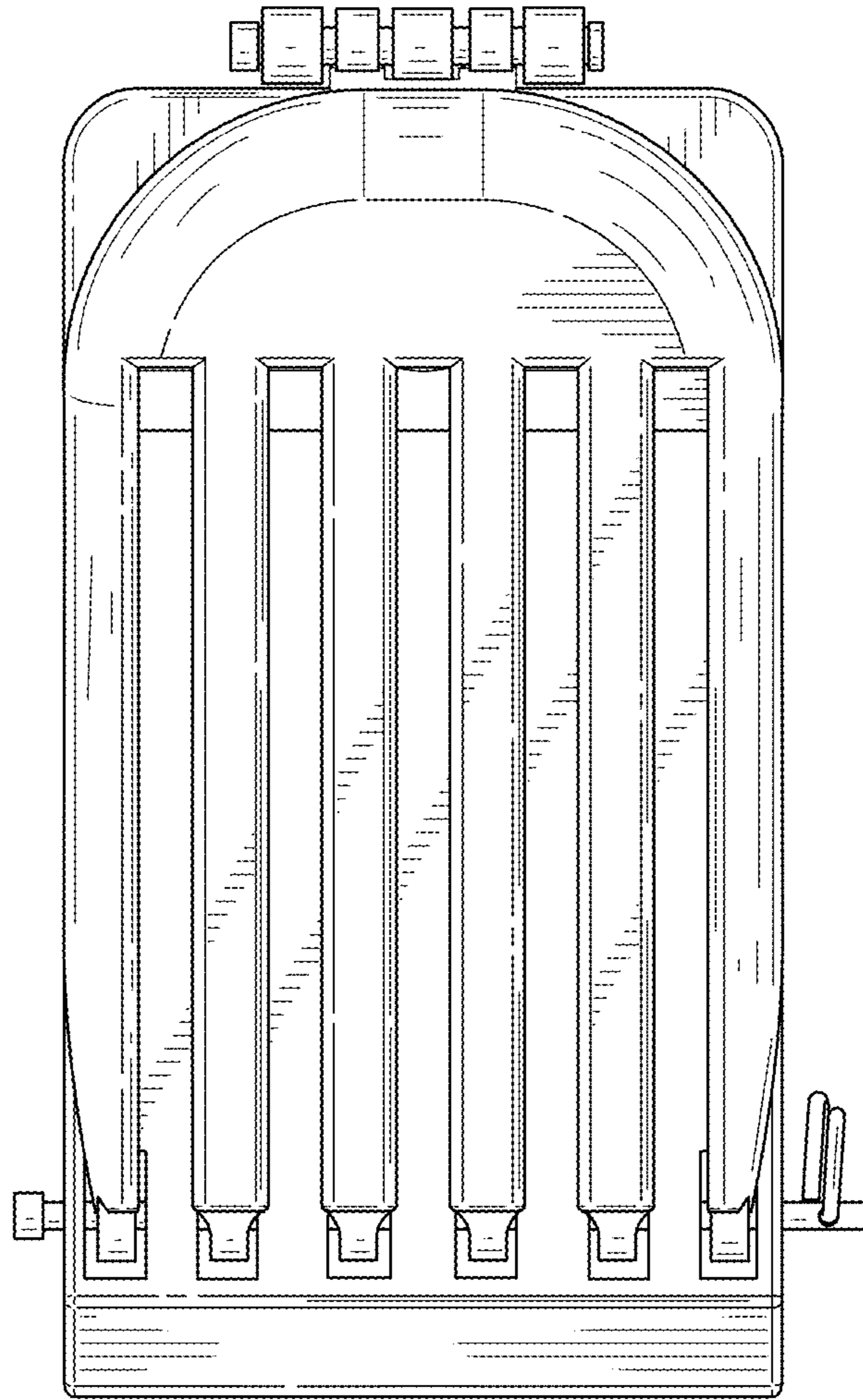


FIG. 2

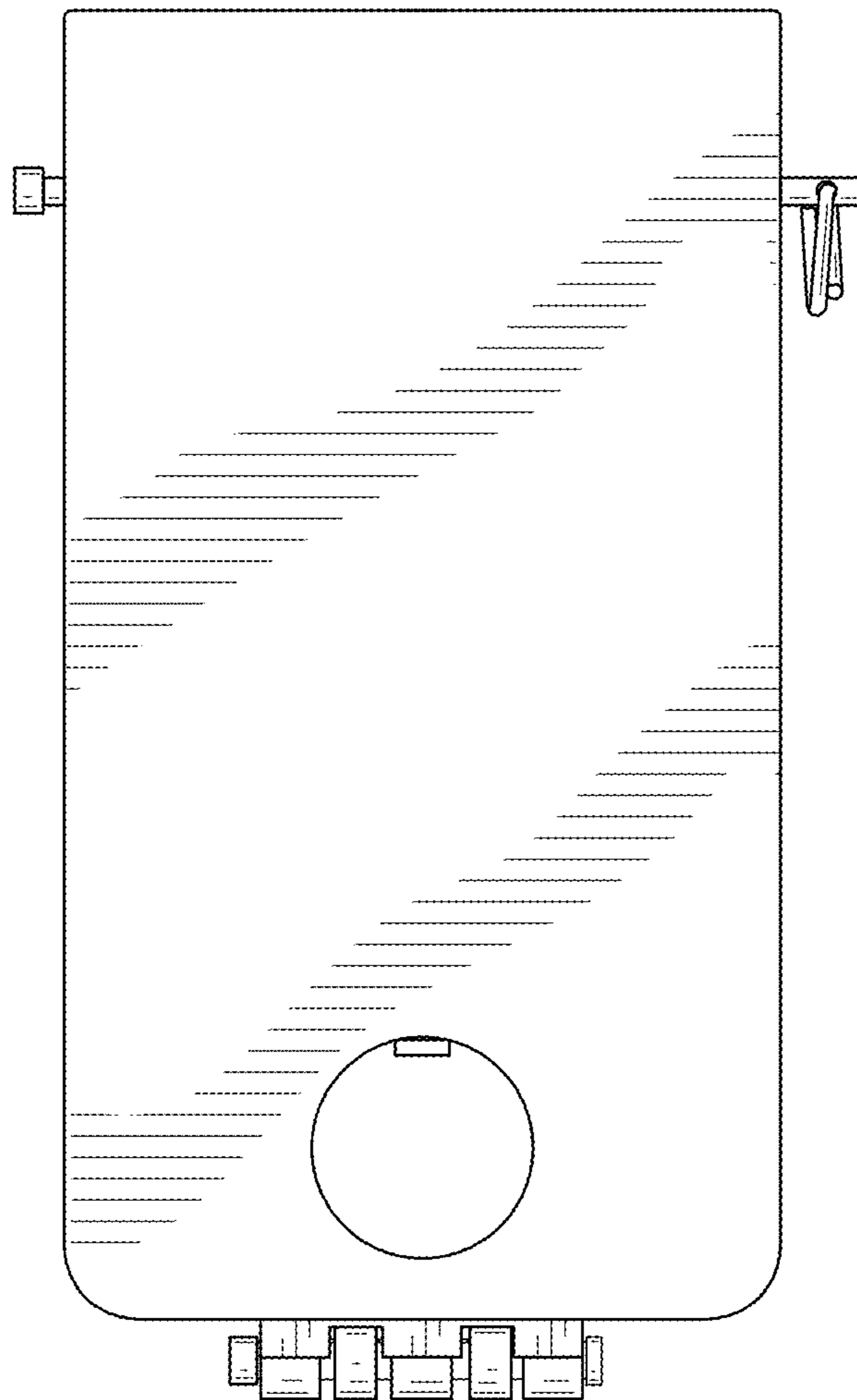


FIG. 3

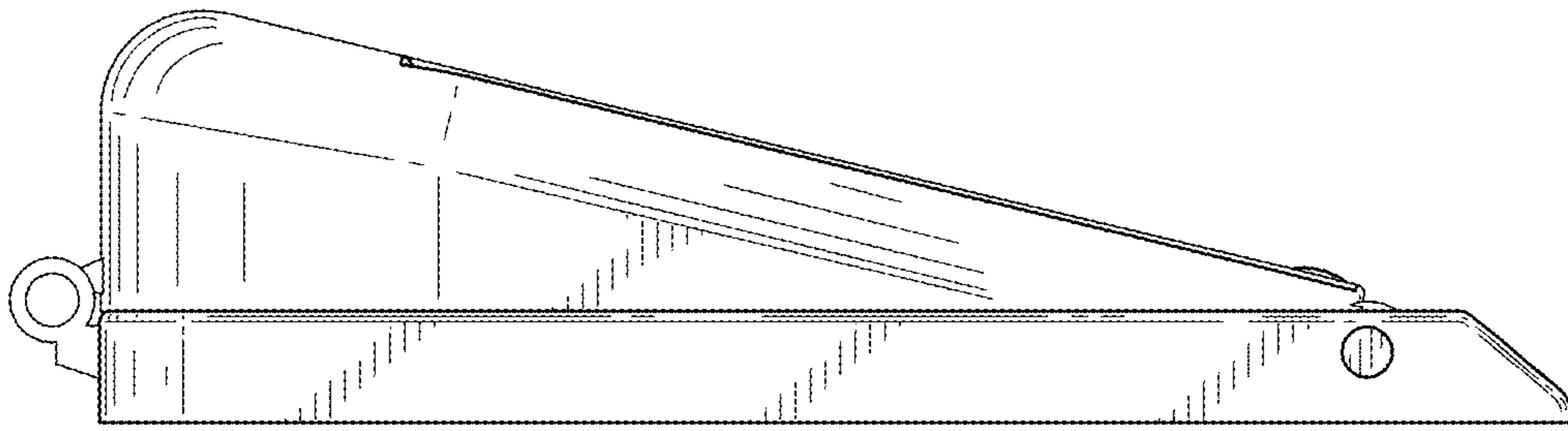


FIG. 4

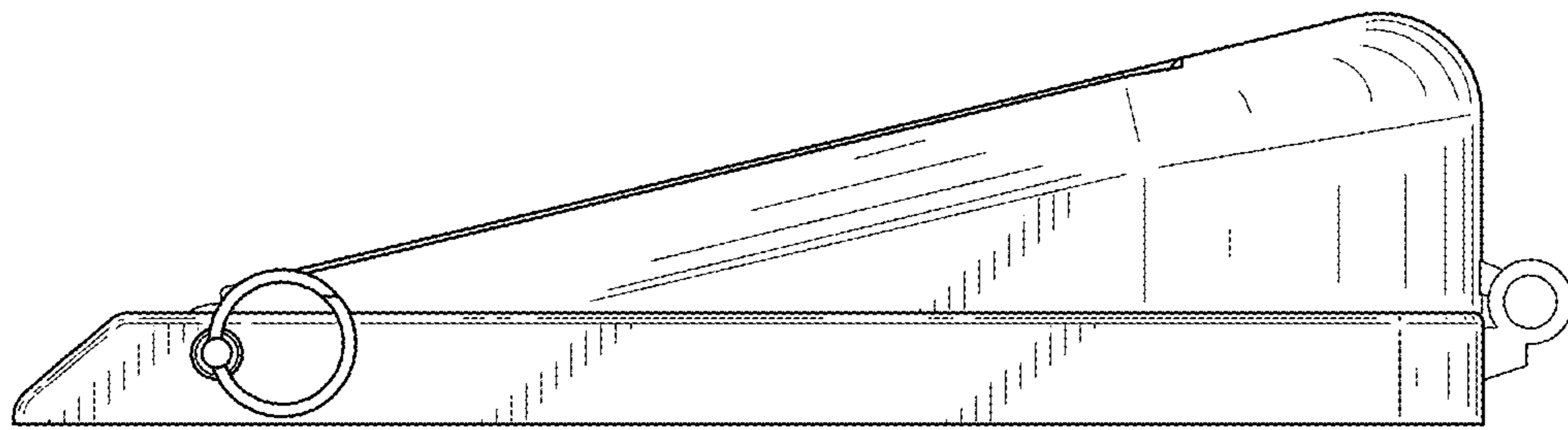


FIG. 5

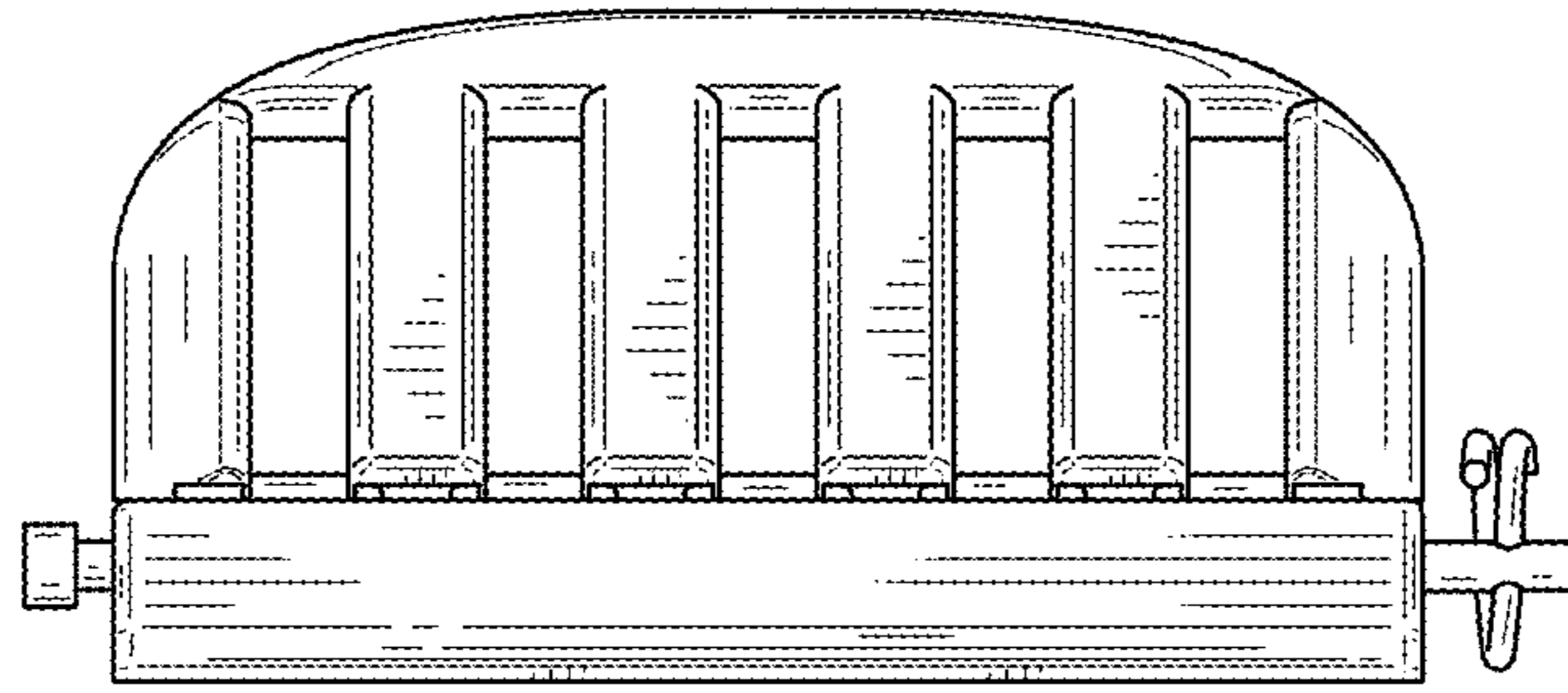


FIG. 6

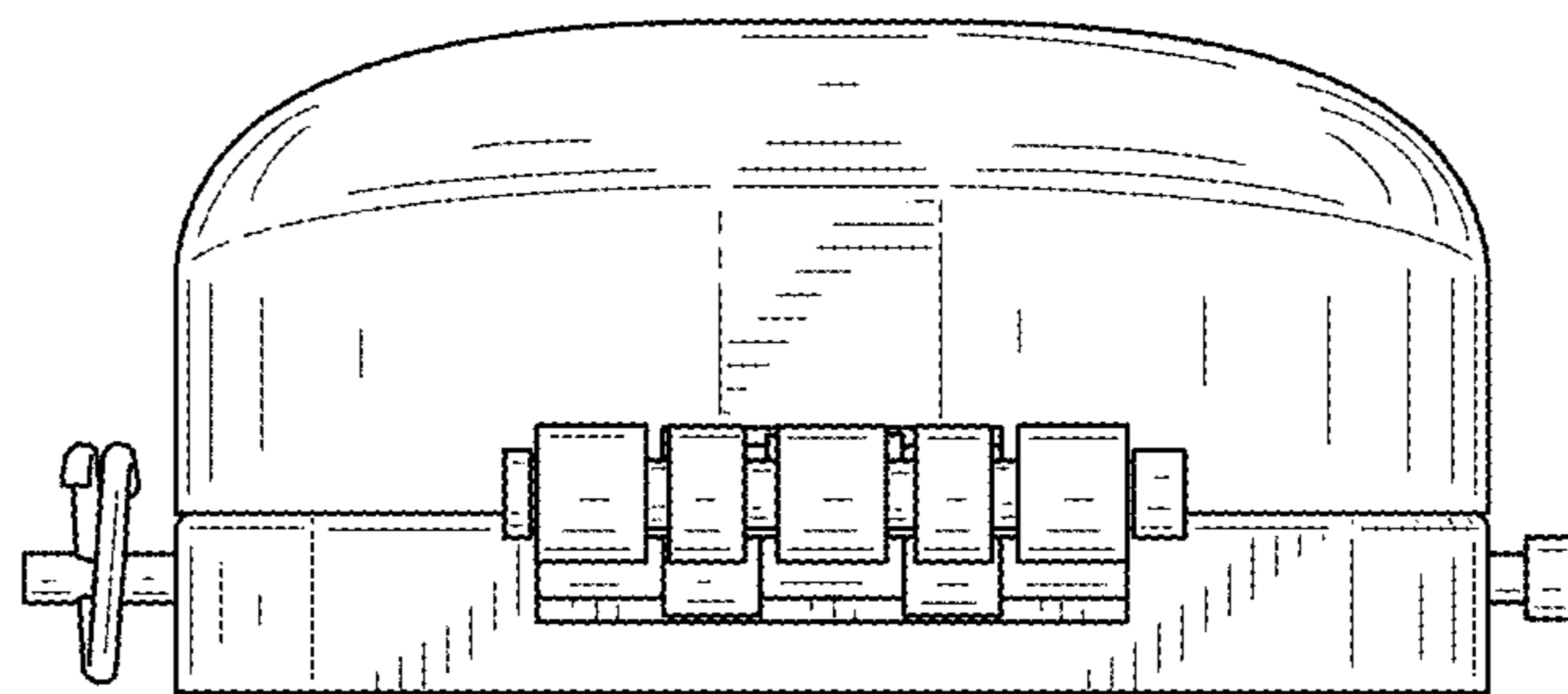


FIG. 7

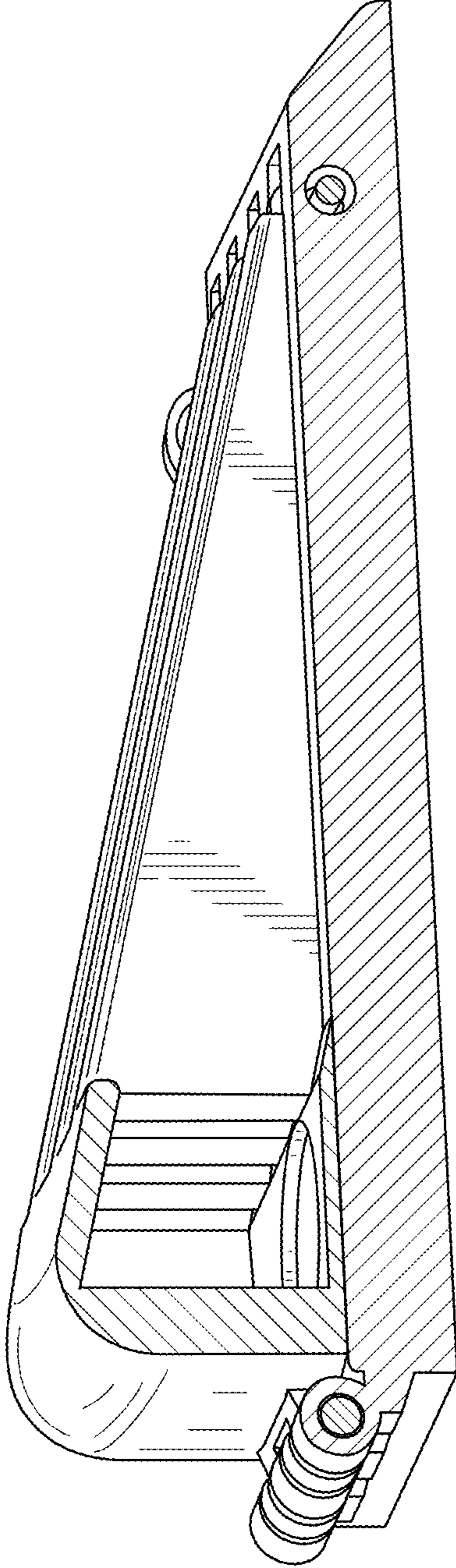


FIG. 8

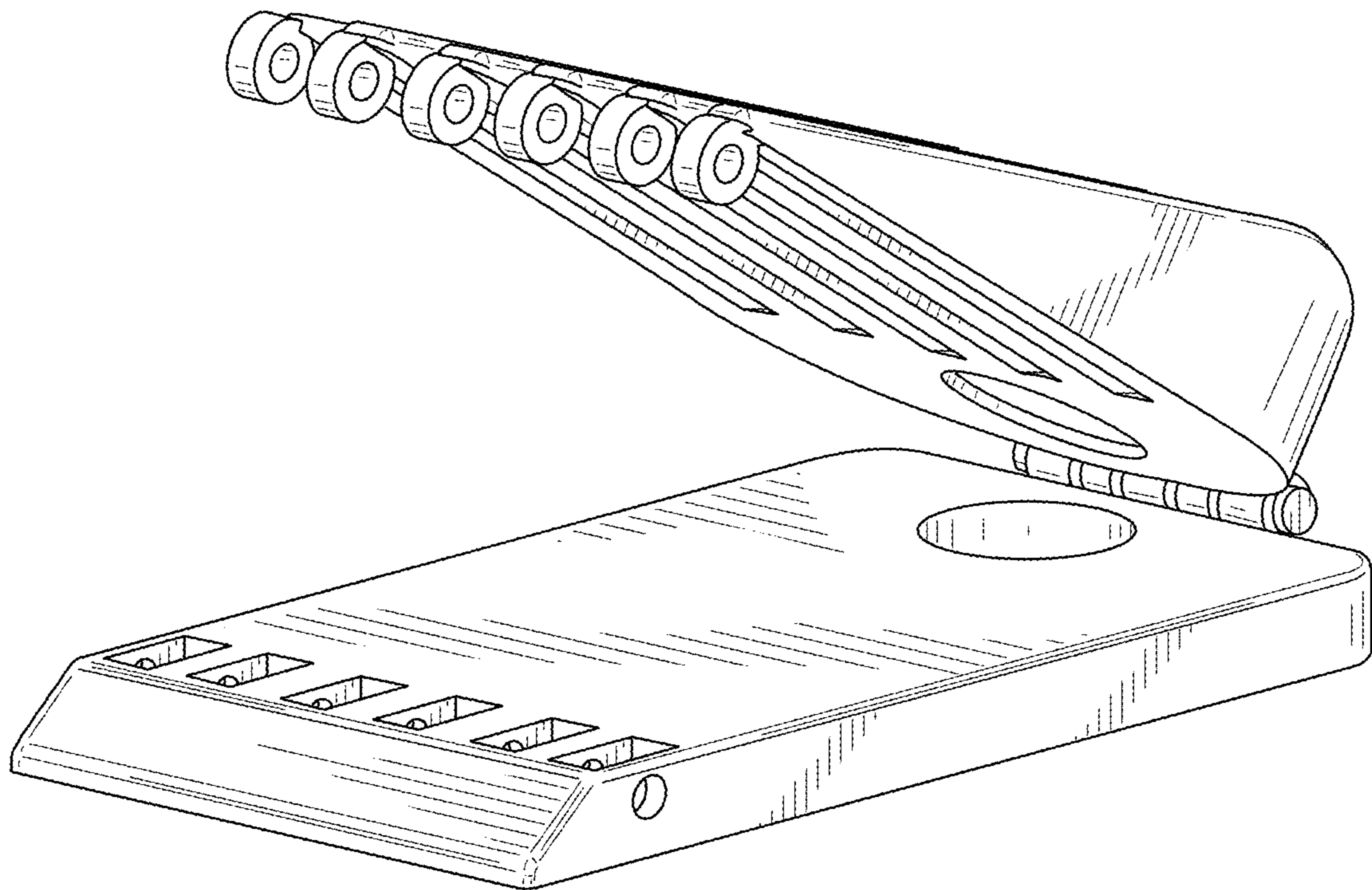


FIG. 9

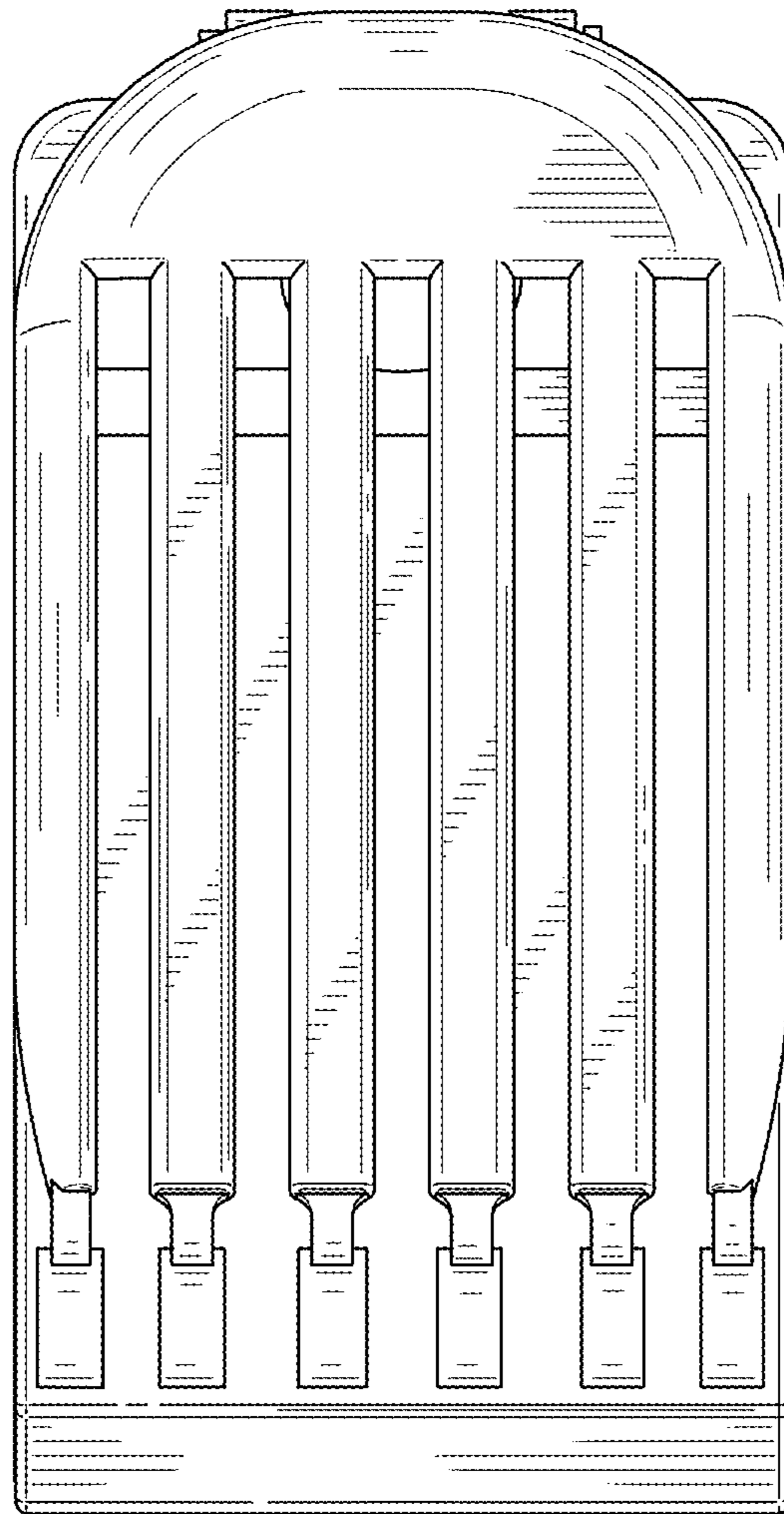


FIG. 10

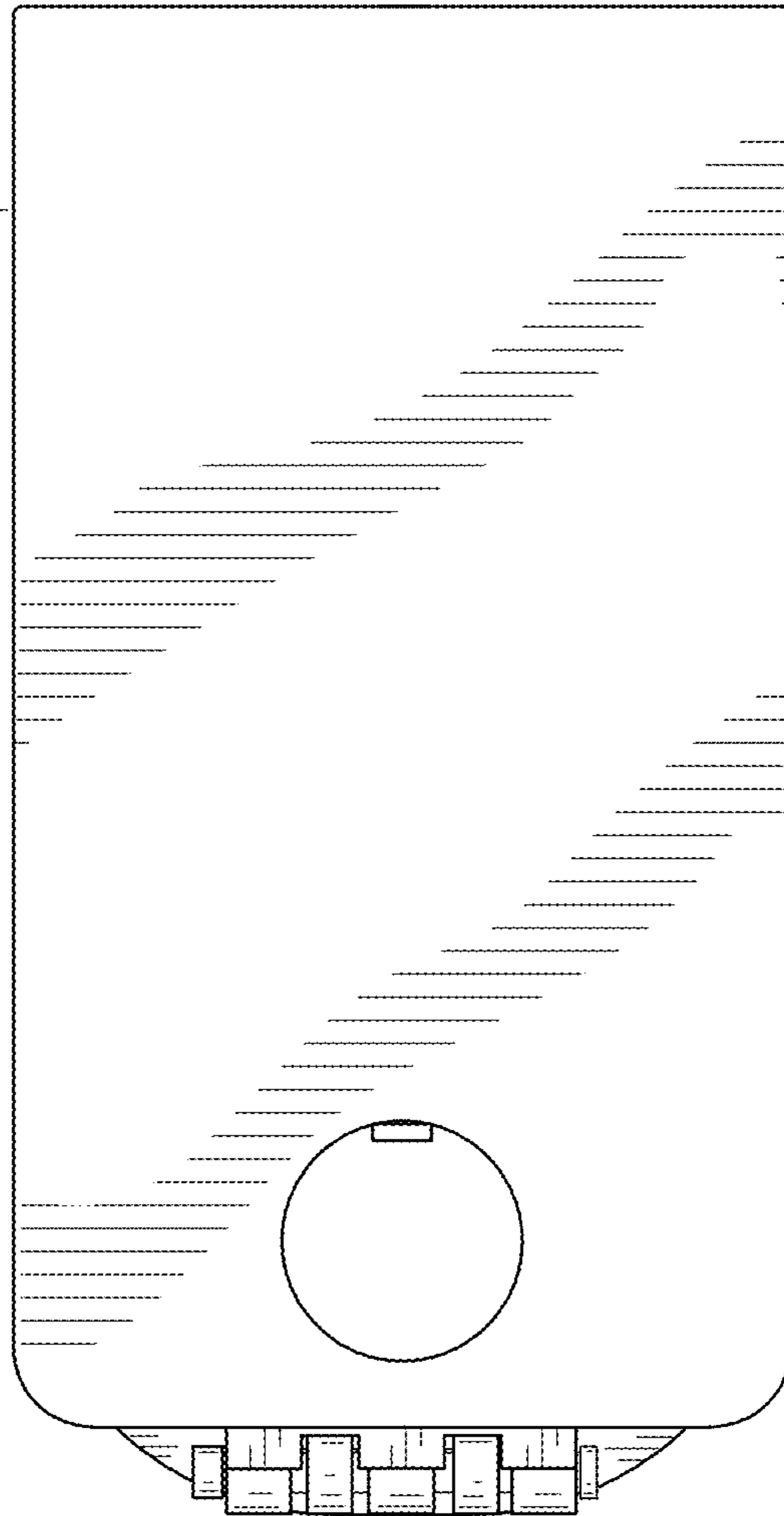


FIG. 11

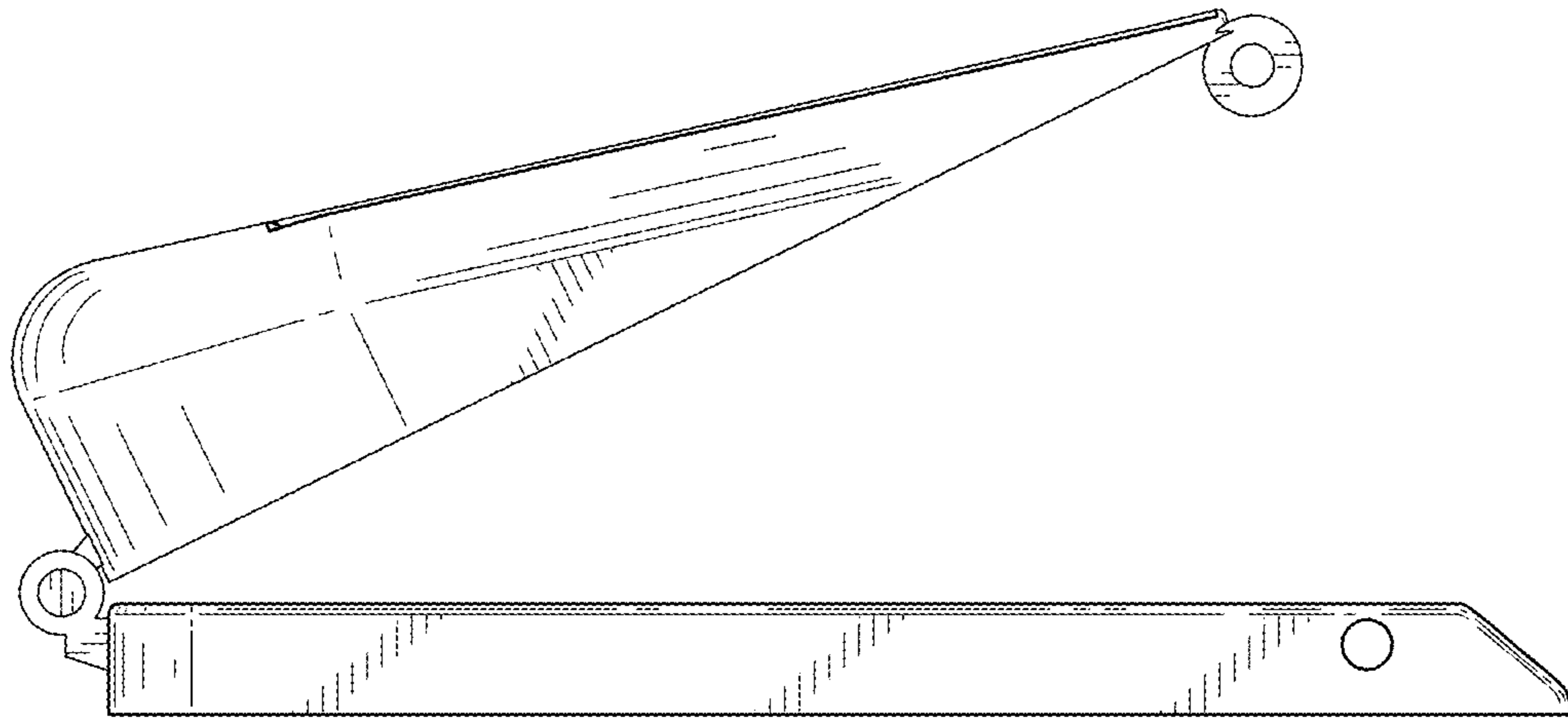


FIG. 12

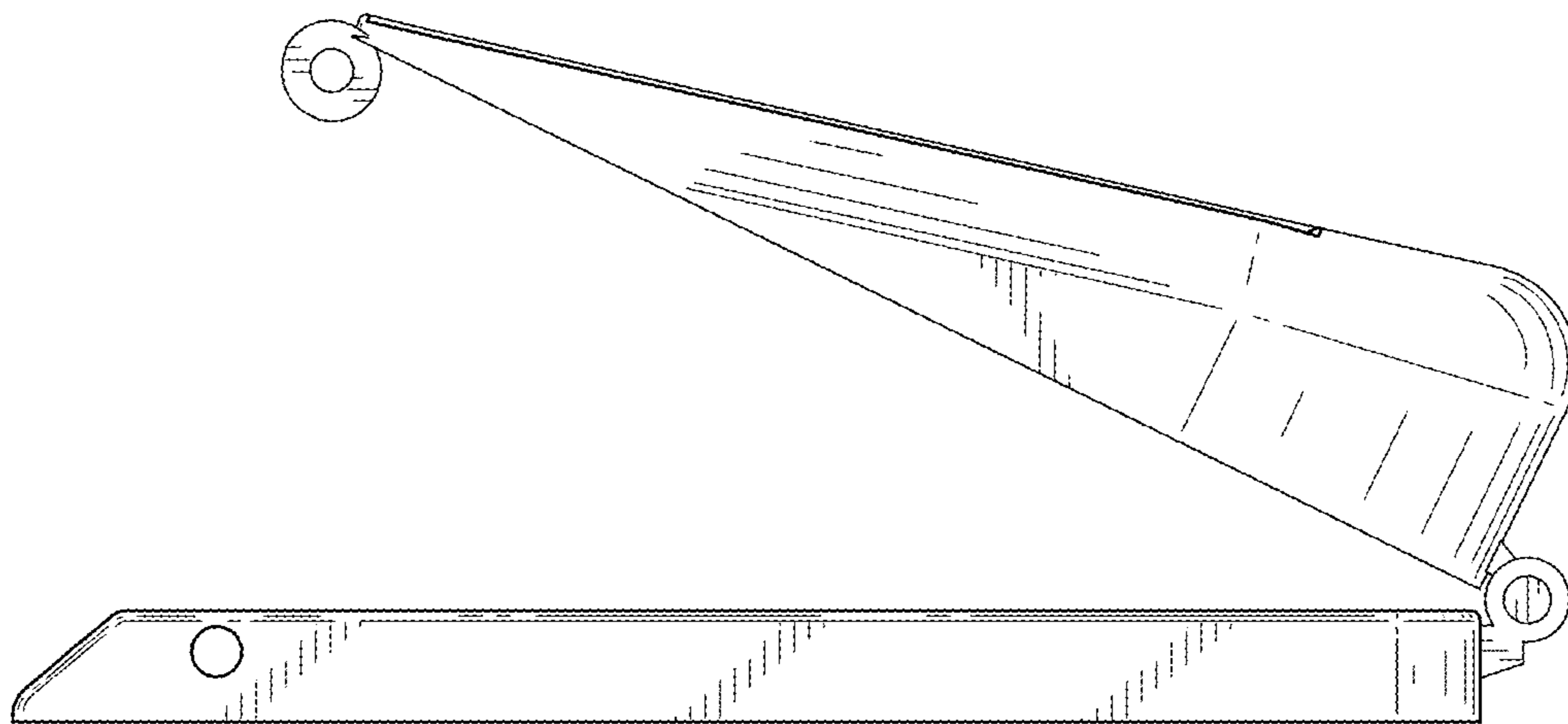


FIG. 13

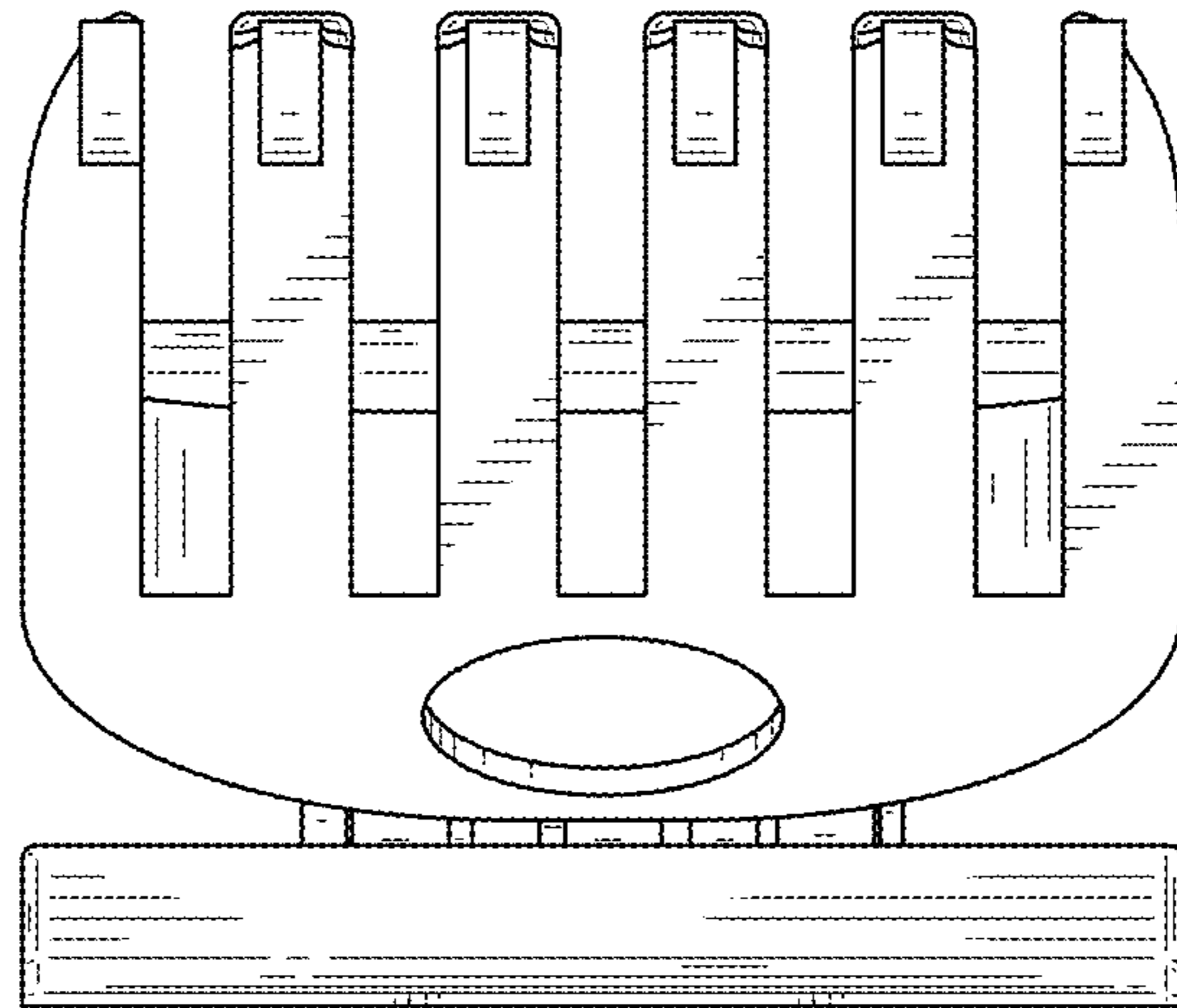


FIG. 14

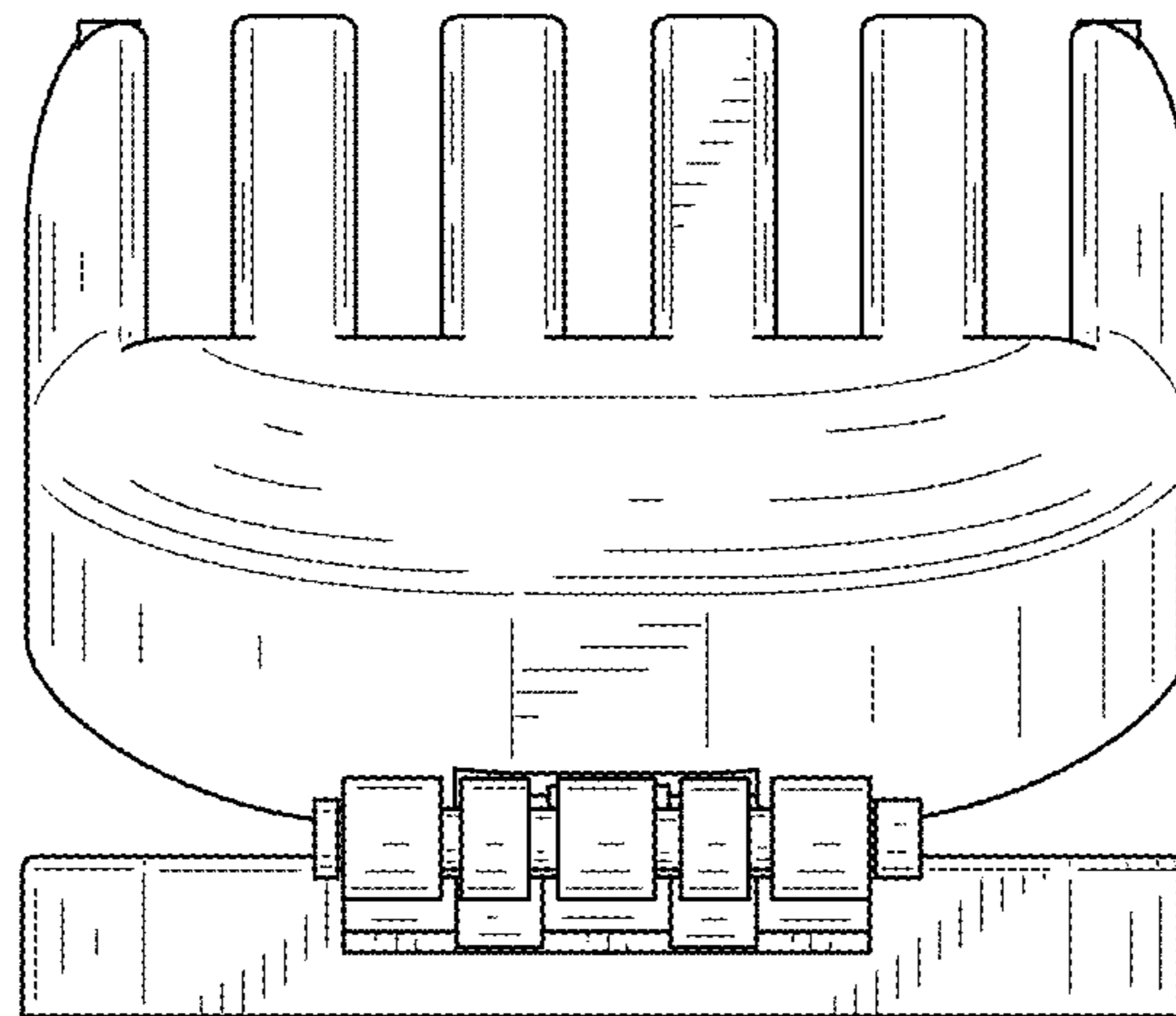


FIG. 15