



US00D976960S

(12) **United States Design Patent** (10) **Patent No.:** **US D976,960 S**  
**Chase et al.** (45) **Date of Patent:** **\*\* Jan. 31, 2023**

(54) **PUMP CONTROLLER DISPLAY SCREEN WITH GRAPHICAL USER INTERFACE**

(56) **References Cited**

(71) Applicant: **TACTILE SYSTEMS TECHNOLOGY, INC.**, Minneapolis, MN (US)

U.S. PATENT DOCUMENTS

D315,406 S 3/1991 Dye  
D362,721 S 9/1995 Peeler  
D367,115 S 2/1996 Barber  
D374,931 S 10/1996 Cesaroni  
5,876,359 A 3/1999 Bock

(Continued)

(72) Inventors: **Daniel G. Chase**, Menomonie, WI (US); **Mark R. Riley**, St. Paul, MN (US); **Wade Andrew Zander**, Minneapolis, MN (US); **Danwei Ye**, Cleveland, OH (US); **Jason Tilk**, Cleveland, OH (US); **Robert Allen**, Cleveland, OH (US); **Rebecca L. Blice**, Cleveland, OH (US); **Daniel Michael**, Cleveland, OH (US); **Jason R. Ertel**, Cleveland, OH (US)

FOREIGN PATENT DOCUMENTS

CA 20170177701 5/2019  
JP D1616696 10/2018

(73) Assignee: **TACTILE SYSTEMS TECHNOLOGY INC.**, Minneapolis, MN (US)

OTHER PUBLICATIONS

New Flexitouch Plus from Tactile Medical, news.thomasnet.com [online], published Apr. 10, 2018, [retrieved on Apr. 27, 2022]. Retrieved from the Internet, URL: <https://news.thomasnet.com/fullstory/new-flexitouch-plus-from-tactile-medical-is-a-medical-device-used-for-treating-lymphedema-40010863>.\*

(Continued)

(\*\*) Term: **15 Years**

*Primary Examiner* — Nicole C Shiflet

(21) Appl. No.: **29/711,483**

(74) *Attorney, Agent, or Firm* — Muetting Raasch Group

(22) Filed: **Oct. 31, 2019**

**Related U.S. Application Data**

(62) Division of application No. 29/619,534, filed on Sep. 29, 2017, now Pat. No. Des. 868,957.

(51) **LOC (14) Cl.** ..... **14-04**

(52) **U.S. Cl.**  
USPC ..... **D14/495**

(58) **Field of Classification Search**  
USPC ..... D14/485–495  
CPC .... G06F 3/048; G06F 3/0481; G06F 3/04817; G06F 3/0482; G06F 3/0483; G06F 3/04842; G06F 3/0485; G06F 3/04855; G06F 3/0486; G06F 3/0488; G06F 3/04886; G06F 9/451; G06F 40/103; G06F 40/106; G06F 40/189; G06F 40/191

See application file for complete search history.

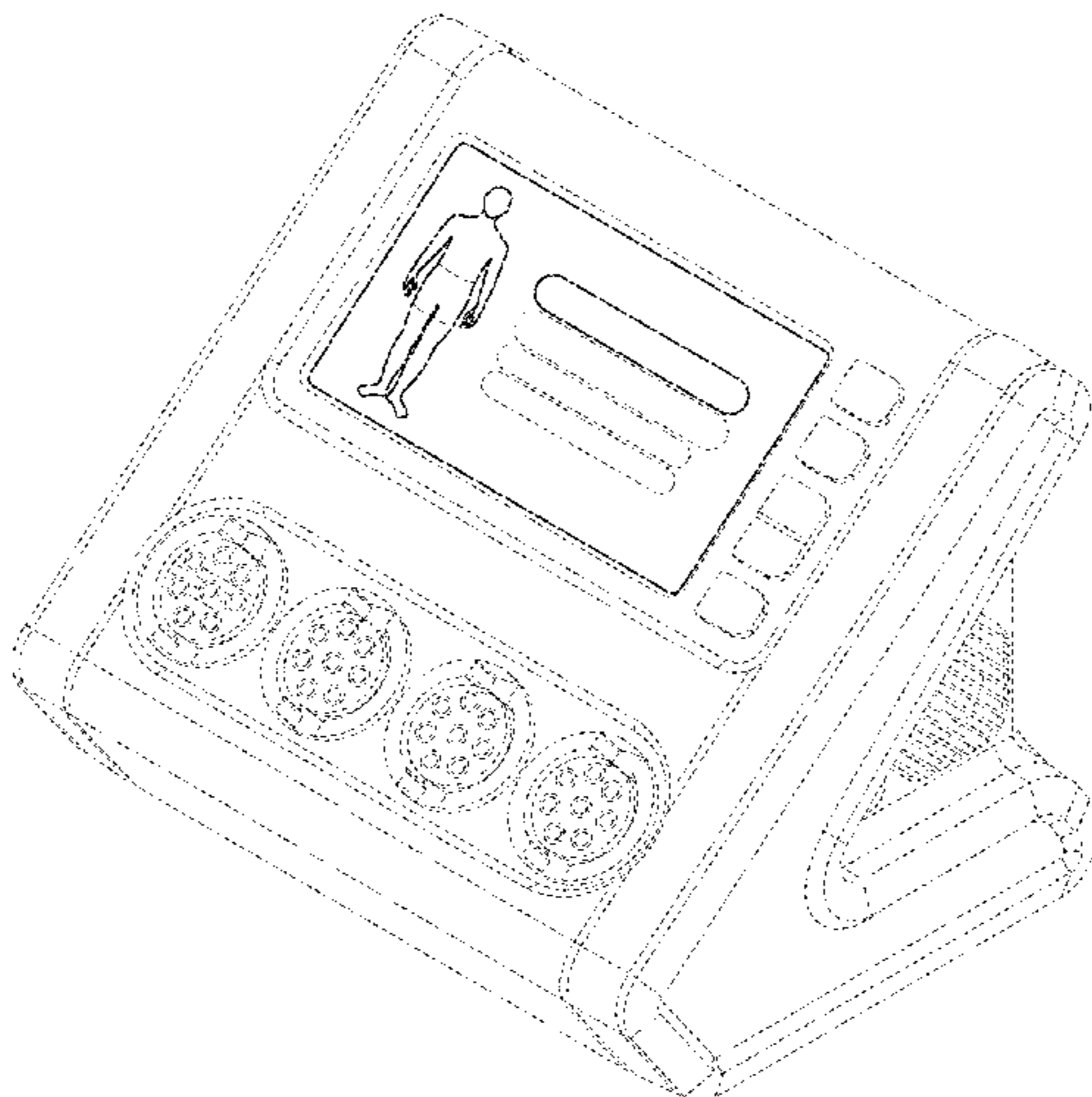
(57) **CLAIM**

The ornamental design for a pump controller display screen with graphical user interface, as shown and described.

**DESCRIPTION**

FIG. 1 is a front right perspective view of a pump controller display screen with graphical user interface in accordance with the claimed design;  
FIG. 2 is a front elevation view thereof; and,  
FIG. 3 is a top plan view thereof.  
The broken lines in the figures represent environment and form no part of the claimed design.

**1 Claim, 3 Drawing Sheets**



(56)

References Cited

U.S. PATENT DOCUMENTS

D452,570 S 12/2001 Since  
 6,468,237 B1 10/2002 Lina  
 D473,314 S 4/2003 Since  
 6,690,397 B1 \* 2/2004 Daignault, Jr. .... G06F 16/5854  
 715/764  
 D489,816 S 5/2004 Ross  
 D502,996 S 3/2005 Guenther  
 D619,609 S \* 7/2010 Meziere ..... D14/492  
 D669,575 S 10/2012 Ebert  
 D682,414 S 5/2013 Chen  
 D692,442 S \* 10/2013 Chorley ..... D14/485  
 D737,447 S 8/2015 Fluxman  
 D739,031 S 9/2015 Golden  
 D743,982 S \* 11/2015 Lee ..... D14/486  
 9,180,302 B2 \* 11/2015 Drees ..... G06F 3/03545  
 D759,253 S 6/2016 Bar-Or  
 D760,241 S \* 6/2016 Brunner ..... D14/485  
 D777,191 S \* 1/2017 Polimeni ..... D14/486  
 D783,032 S \* 4/2017 Cashner ..... D14/486  
 D790,070 S 6/2017 Acosta  
 D816,854 S 5/2018 Acosta  
 D822,214 S 7/2018 Iles et al.  
 D834,601 S \* 11/2018 Felt ..... D14/488  
 D851,255 S 6/2019 Fluxman  
 D867,384 S \* 11/2019 Siccardi ..... D14/486

D868,957 S \* 12/2019 Chase ..... D24/188  
 D922,424 S \* 6/2021 Frueh ..... D14/486  
 D938,979 S \* 12/2021 Miyai ..... D14/486  
 2006/0009718 A1 1/2006 Van Brunt  
 2011/0257565 A1 10/2011 Wilford  
 2012/0209153 A1 8/2012 Farrow  
 2013/0331747 A1 12/2013 Helgeson  
 2014/0276290 A1 9/2014 Mansur, Jr.  
 2015/0141887 A1 5/2015 Kawashima  
 2015/0374571 A1 12/2015 Denson  
 2019/0133872 A1 5/2019 Chase  
 2019/0133873 A1 5/2019 Chase

OTHER PUBLICATIONS

Abstract health technology ui [online], published Nov. 23, 2019, [retrieved on Apr. 27, 2022]. Retrieved from the Internet, URL: <https://www.alamy.com/abstract-health-technology-ui-futuristic-hud-human-interface-hologram-elements-of-digital-data-chart-communication-computing-and-innovation-on-hi-te-image348515285.html>.\*

*Flexitouch® System User's Guide*, Tactile Systems Technology Inc., DBA Tactile Medical, 2013. 48 pages. Model PD32-U. IDS NPL Document 1, Flexitouch Control Unit. Believed available at least as early as Aug. 2016; 1 page.

\* cited by examiner

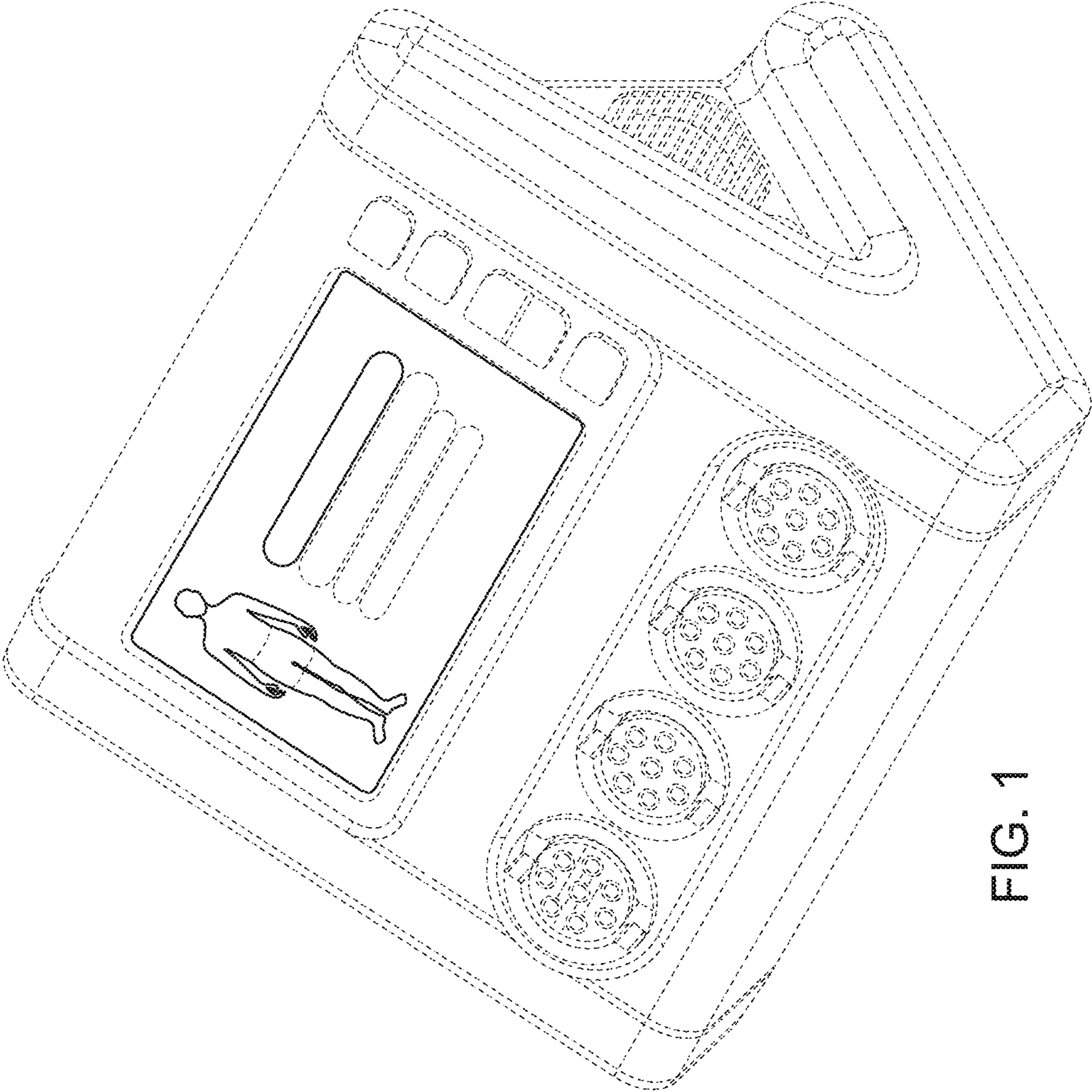


FIG. 1

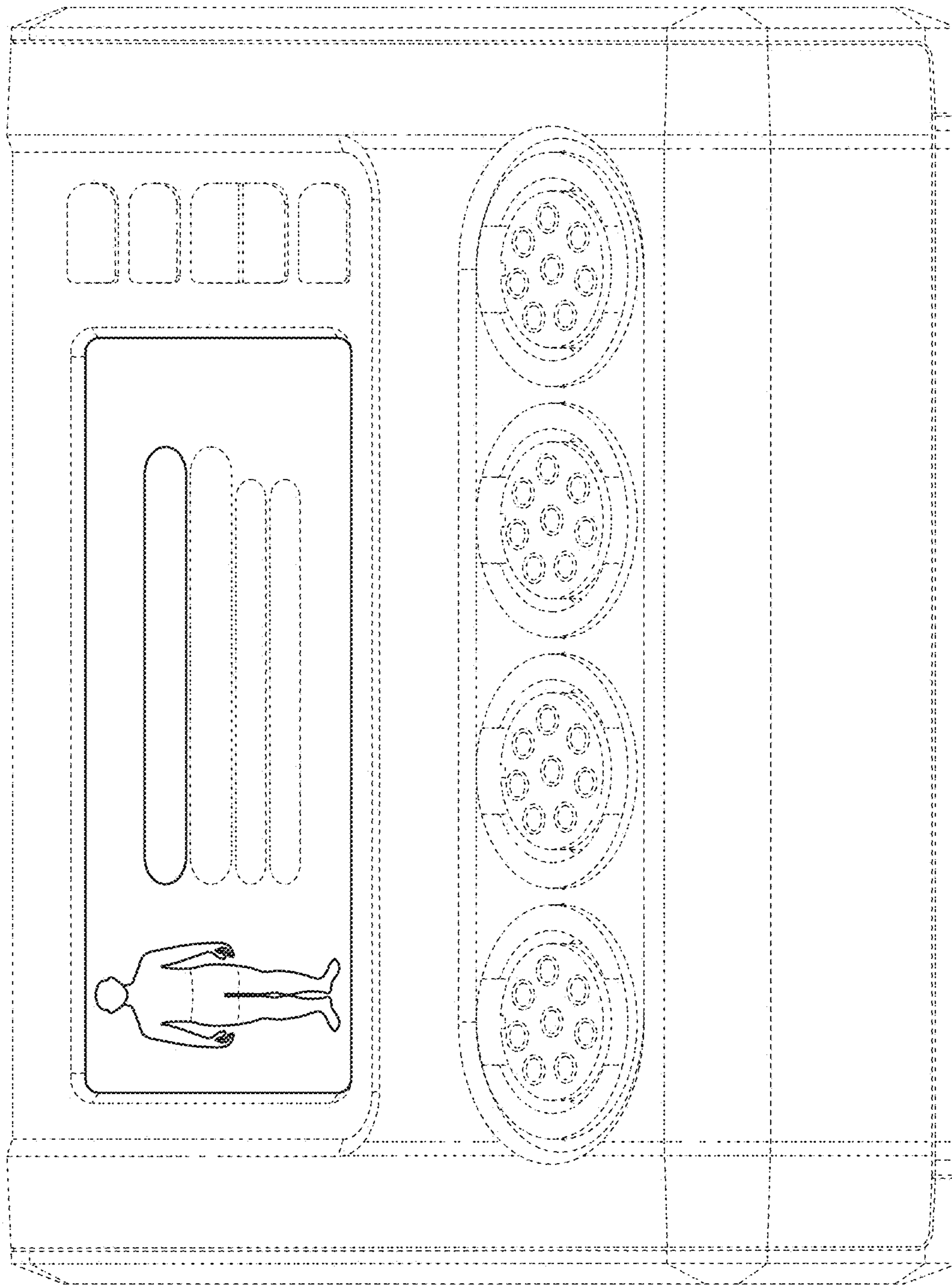


FIG. 2

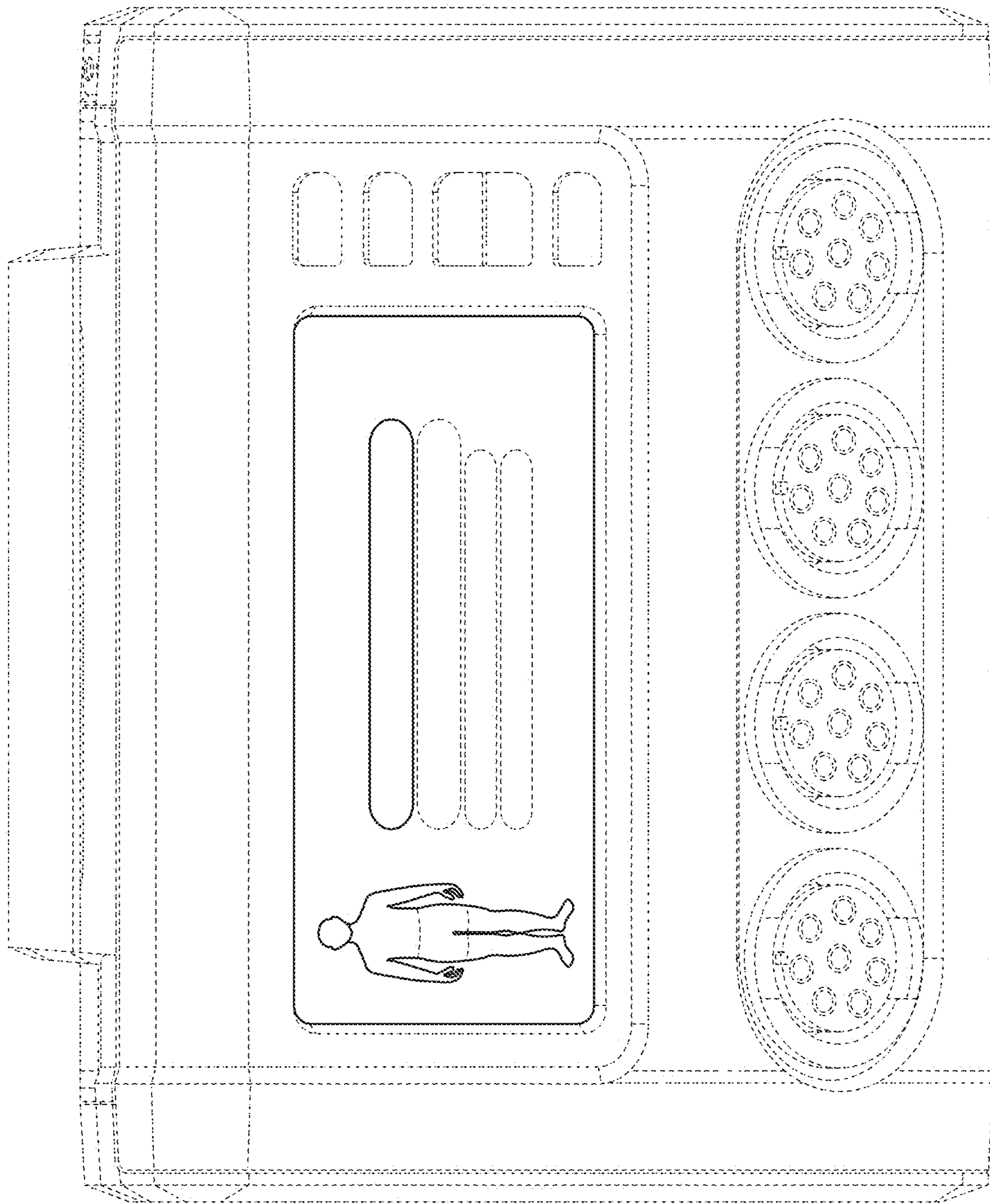


FIG. 3