

US00D976917S

(12) **United States Design Patent**
Jun

(10) **Patent No.:** **US D976,917 S**
(45) **Date of Patent:** **** Jan. 31, 2023**

(54) **USB (UNIVERSAL SERIAL BUS) MEMORY DEVICE**

(71) Applicant: **SAMSUNG ELECTRONICS CO., LTD.**, Suwon-si (KR)

(72) Inventor: **Gye-Jin Jun**, Suwon-si (KR)

(73) Assignee: **SAMSUNG ELECTRONICS CO., LTD.**, Suwon-si (KR)

(**) Term: **15 Years**

(21) Appl. No.: **29/756,963**

(22) Filed: **Nov. 2, 2020**

(30) **Foreign Application Priority Data**

May 15, 2020 (KR) 30-2020-0021261

(51) **LOC (14) Cl.** **14-03**

(52) **U.S. Cl.**
USPC **D14/480.5**

(58) **Field of Classification Search**

USPC D14/480.1–480.7, 435.1, 411, 433, 436,
D14/484.1, 137, 155, 203.1–203.8, 240,
D14/242, 496, 474, 348, 353, 356;
D13/133, 154

CPC H05K 5/0278; G06K 19/07732
See application file for complete search history.

(56) **References Cited**

U.S. PATENT DOCUMENTS

D492,307 S * 6/2004 Aqqad D14/480.5
D561,184 S * 2/2008 Kozenitzky D14/480.1

D583,374 S * 12/2008 Otsuka D14/480.5
D583,816 S * 12/2008 Guccione D14/480.5
D625,730 S * 10/2010 Cacioppo D14/435.1
D631,053 S * 1/2011 Bailey D10/70
D711,891 S * 8/2014 Emami D14/480.5
D727,015 S * 4/2015 Arrindell D3/208
D831,669 S * 10/2018 Shim D14/480.5
D839,877 S * 2/2019 Osuki D14/480.1
D842,308 S * 3/2019 Shim D14/480.5
D864,214 S * 10/2019 Kombo D14/480.5

* cited by examiner

Primary Examiner — Angela J Lee

(74) *Attorney, Agent, or Firm* — Sughrue Mion, PLLC

(57) **CLAIM**

The ornamental design for a USB (universal serial bus) memory device, as shown and described.

DESCRIPTION

FIG. 1 is a front perspective view of a USB (universal serial bus) memory device;
FIG. 2 is a front view thereof;
FIG. 3 is a rear view thereof;
FIG. 4 is a left-side view thereof;
FIG. 5 is a right-side view thereof;
FIG. 6 is a top plan view thereof;
FIG. 7 is a bottom plan view thereof;
FIG. 8 is a front-top exploded view thereof; and,
FIG. 9 is a front-bottom exploded view thereof.
The evenly dashed broken lines in the figures depict environmental subject matter and form no part of the claimed design.

1 Claim, 9 Drawing Sheets

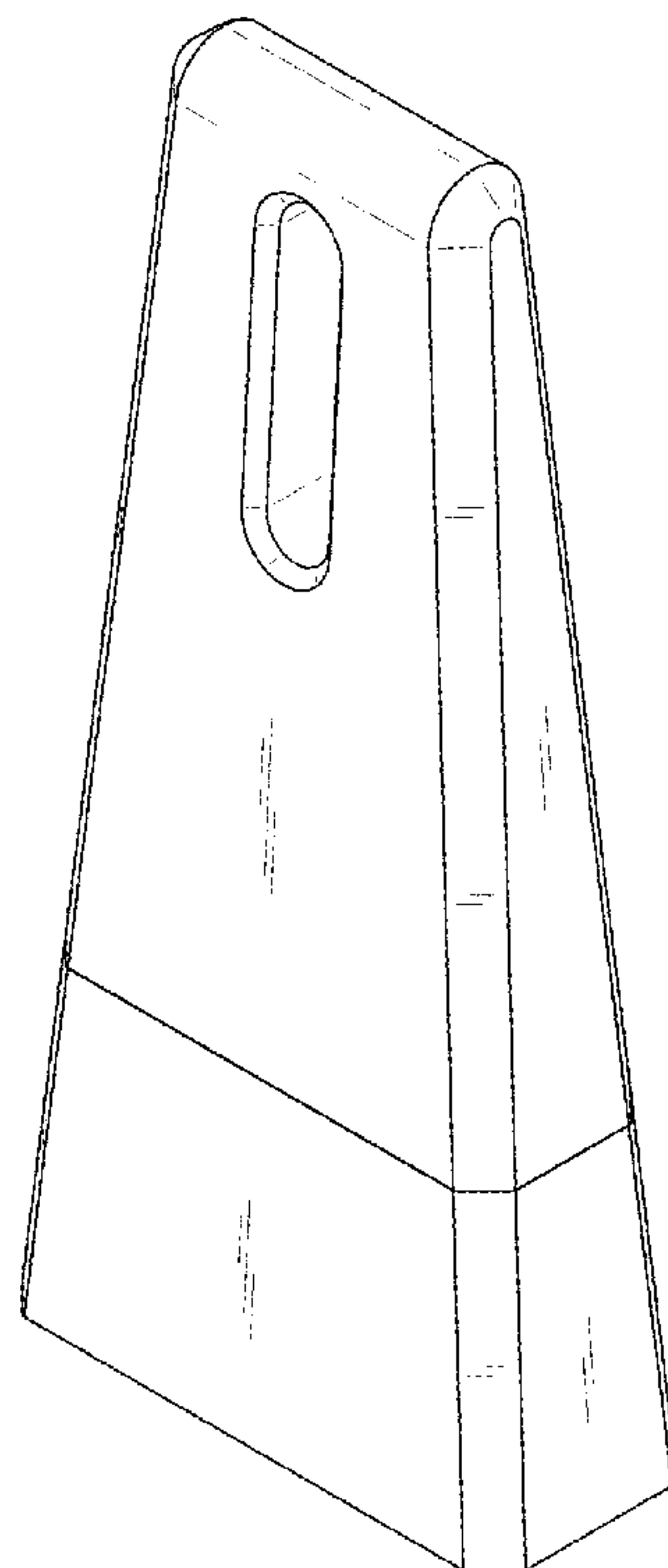


FIG. 1

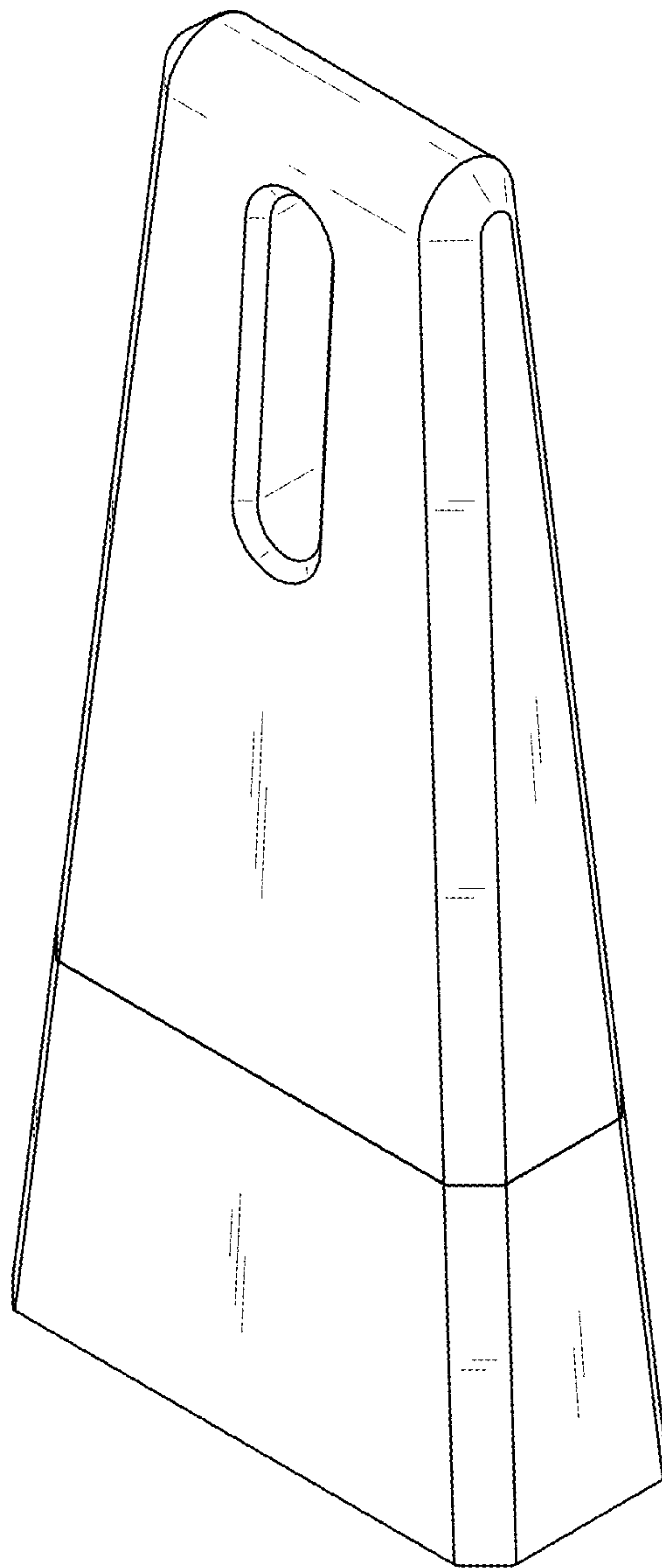


FIG. 2

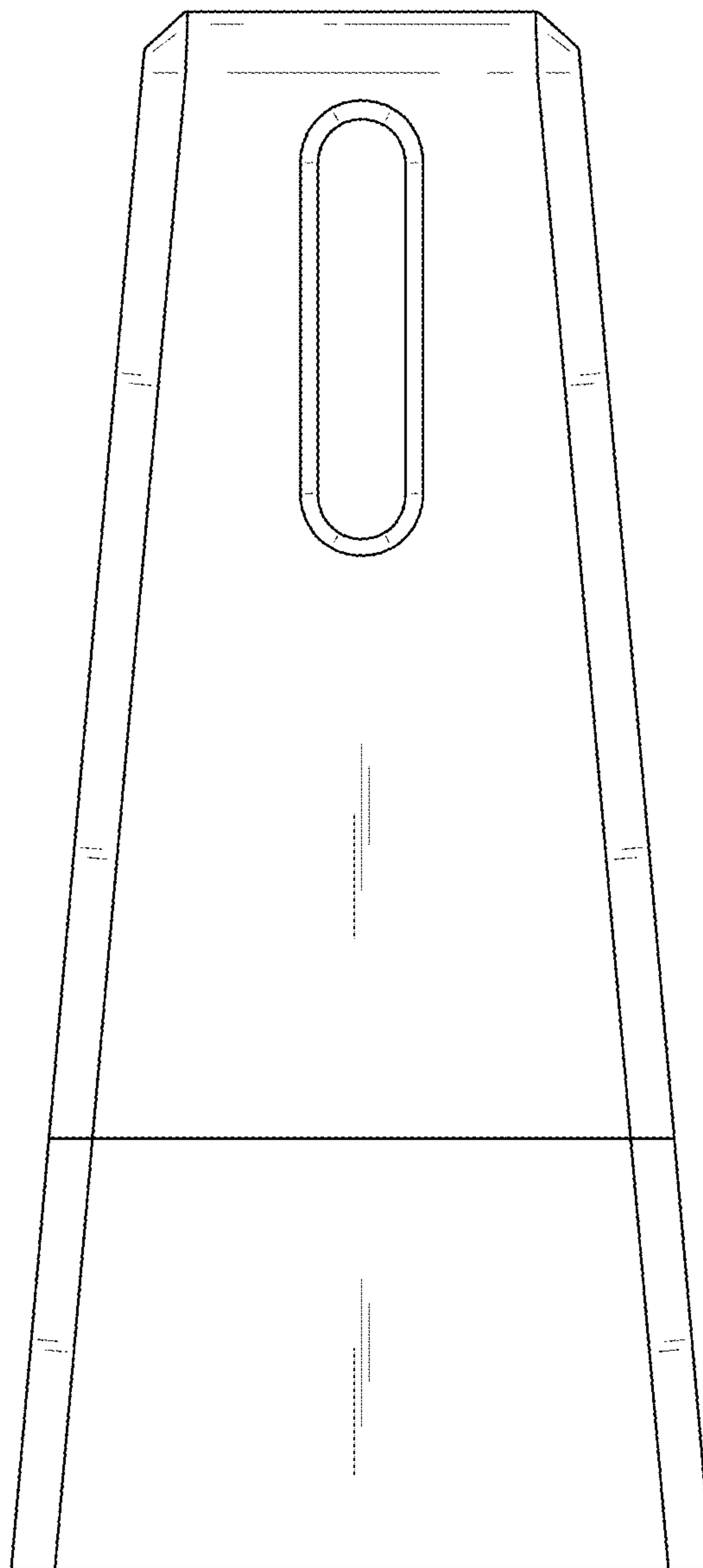


FIG. 3

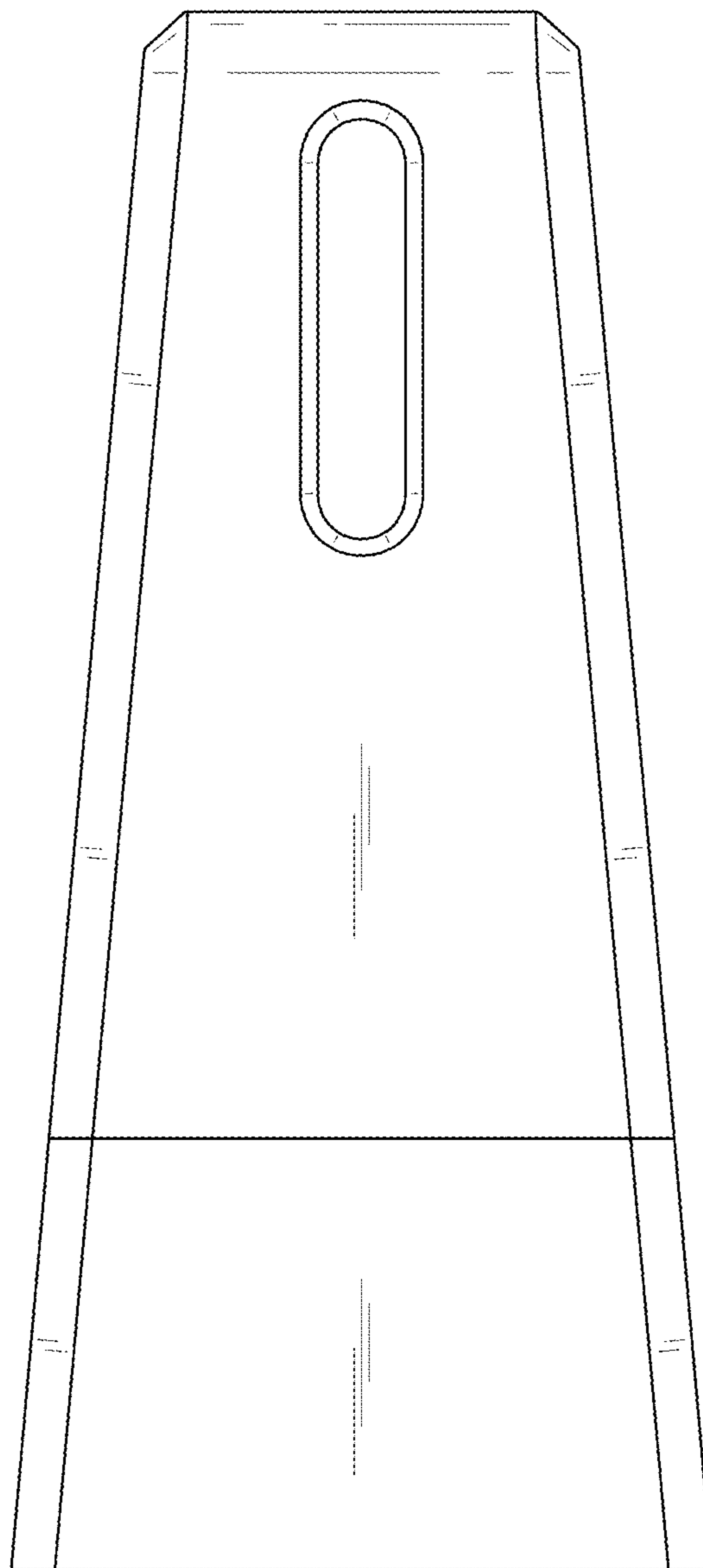


FIG. 4

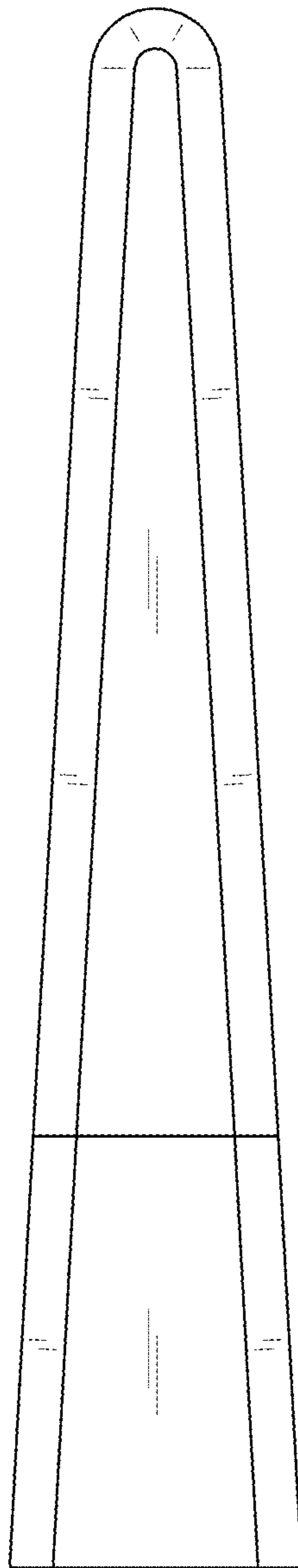


FIG. 5

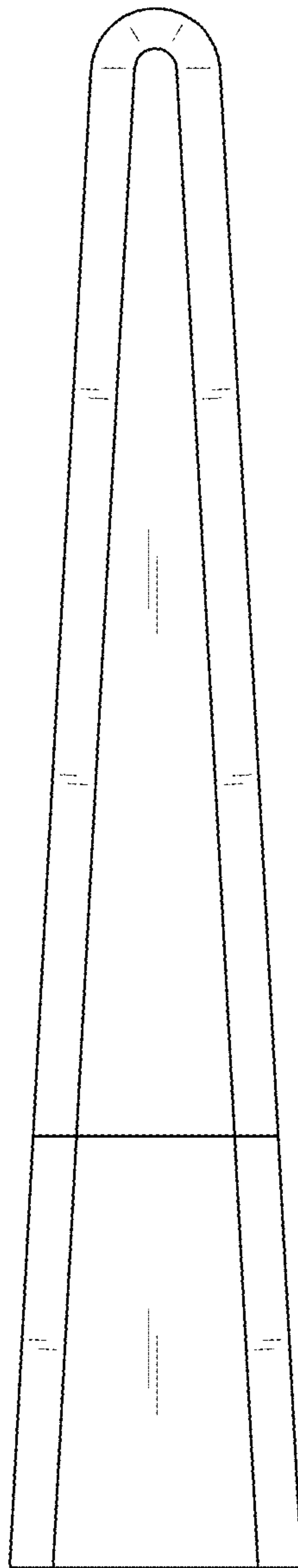


FIG. 6

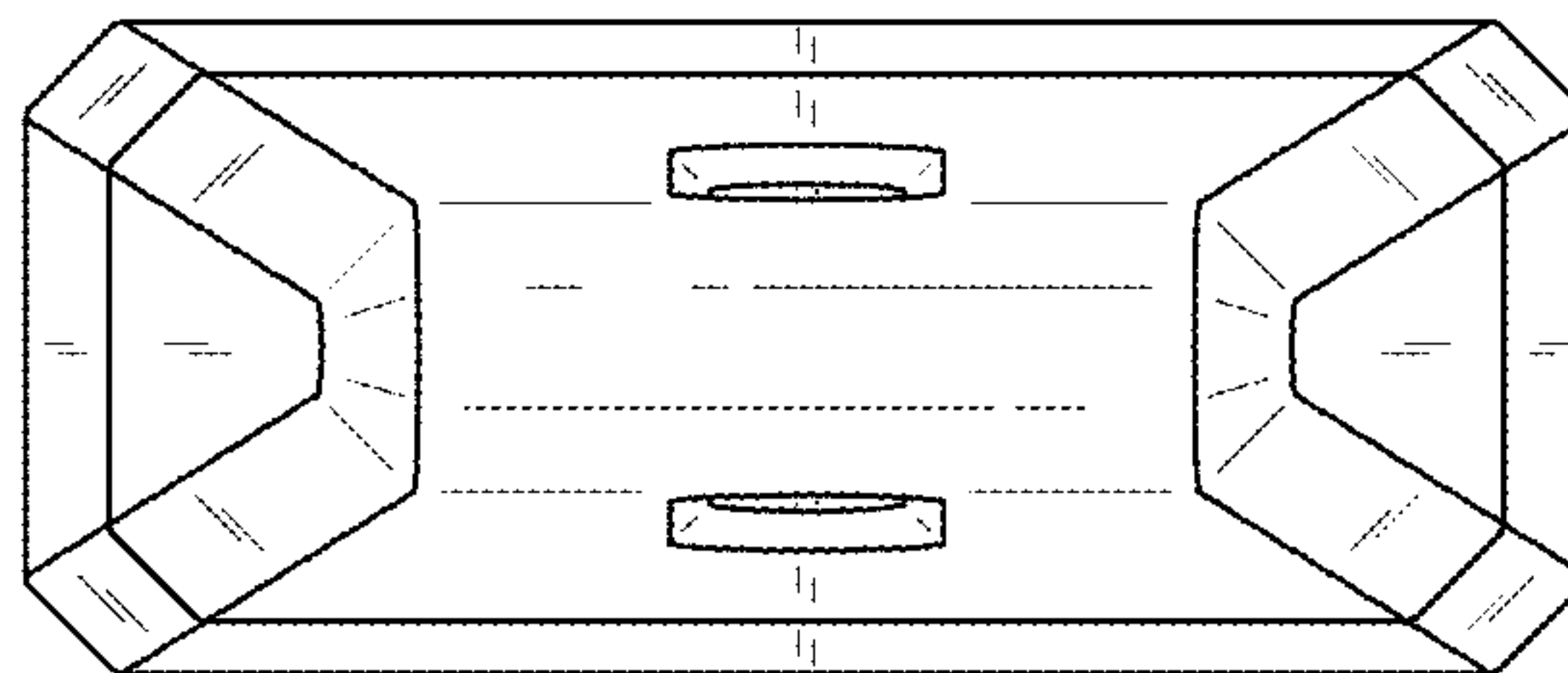


FIG. 7

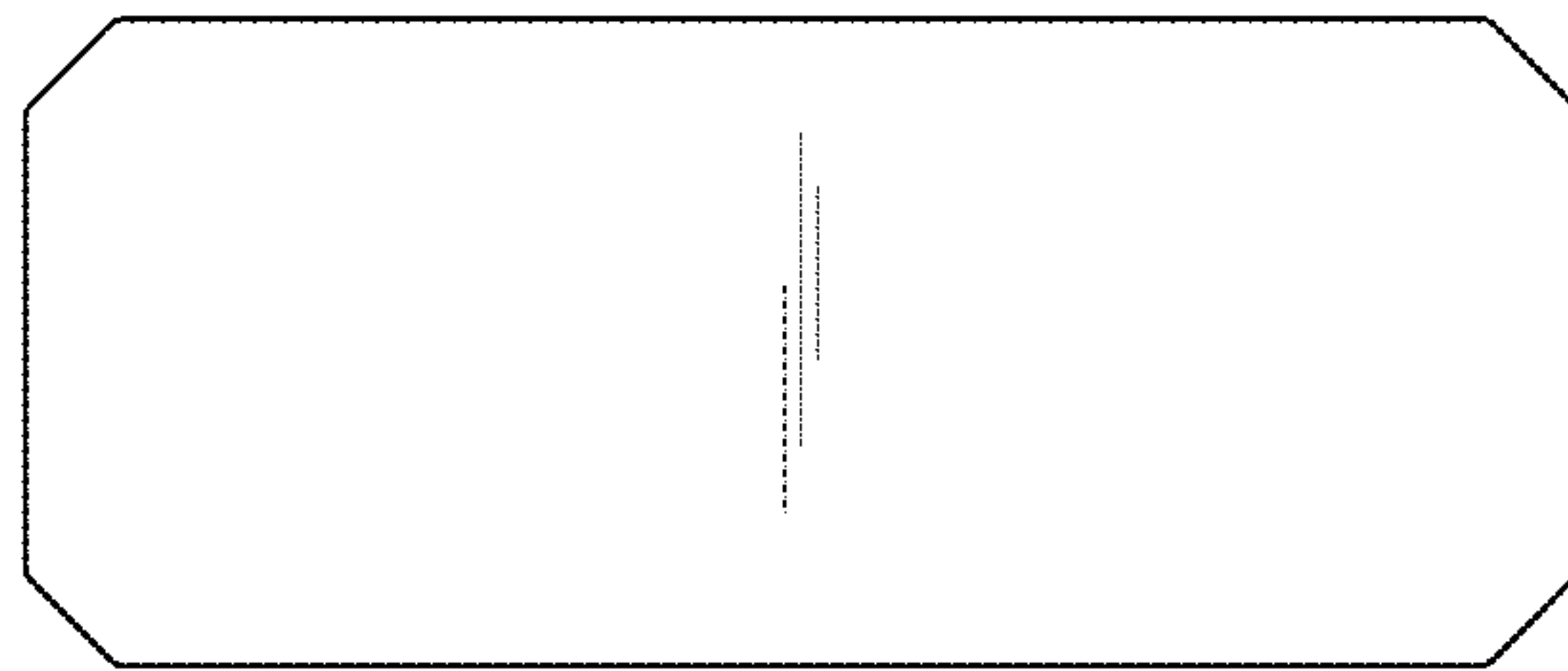


FIG. 8

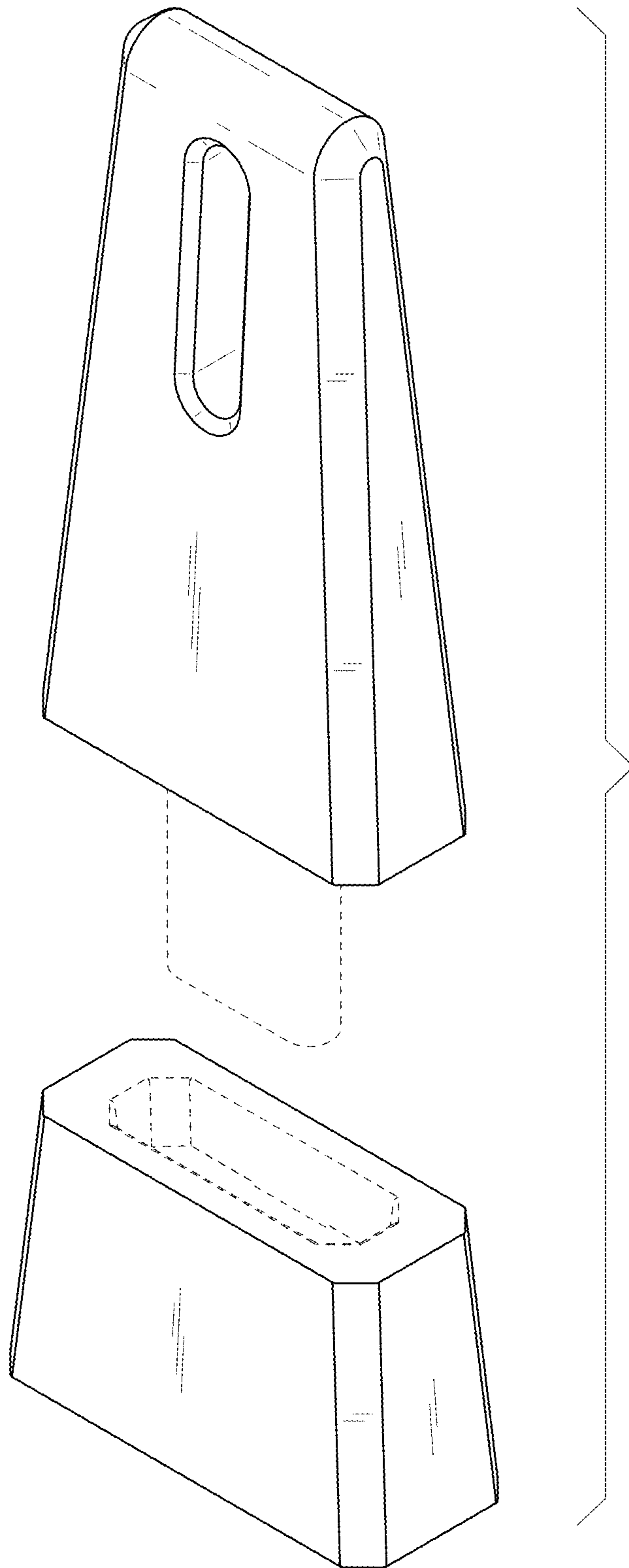


FIG. 9

