



US00D976916S

(12) **United States Design Patent** (10) **Patent No.:** **US D976,916 S**
Matsumoto et al. (45) **Date of Patent:** **** Jan. 31, 2023**

(54) **FOB DEVICE**

D687,837 S 8/2013 Andre
D688,651 S * 8/2013 Daniel D14/240
D689,872 S 9/2013 Andre
(Continued)

(71) Applicant: **Amazon Technologies, Inc.**, Seattle, WA (US)

(72) Inventors: **Ipppei Matsumoto**, Daly City, CA (US);
Robert Brian Curtis, San Francisco, CA (US)

(73) Assignee: **Amazon Technologies, Inc.**, Seattle, WA (US)

(**) Term: **15 Years**

(21) Appl. No.: **29/739,061**

(22) Filed: **Jun. 22, 2020**

OTHER PUBLICATIONS

Yubico, "YubiKey 4 Security Keys", retrieved Jan. 26, 2018 from <https://www.yubico.com/product/yubikey-4-series/#yubikey-4c-nano>, 4 pgs.

Primary Examiner — Angela J Lee

(74) *Attorney, Agent, or Firm* — Lee & Hayes, P.C.

(57) **CLAIM**

The ornamental design for a fob device, as shown and described.

DESCRIPTION

FIG. 1 is a front perspective view of a first embodiment of a fob device, such as an authentication token;
FIG. 2 is a front view thereof;
FIG. 3 is a back view thereof;
FIG. 4 is a left-side view thereof;
FIG. 5 is a right-side view thereof;
FIG. 6 is a top view thereof;
FIG. 7 is a bottom view thereof;
FIG. 8 is a first close-up perspective view thereof; and
FIG. 9 is a second close-up perspective view thereof.
FIG. 10 is a first close-up perspective view of a second embodiment of the fob device. The second embodiment includes a front perspective view, a front view, a back view, a left-side view, a right-side view, a top view (except the area shown with a dot-dash boundary line), and a bottom view that are identical to the corresponding views in the first embodiment; and,
FIG. 11 is a second close-up perspective view thereof.
The broken lines depict portions of the fob device that form no part of the claimed design. The dot-dashed broken lines represent boundaries of the claimed fob device and form no part of the claimed design.

Related U.S. Application Data

(62) Division of application No. 29/712,929, filed on Nov. 12, 2019, now Pat. No. Des. 894,198, which is a division of application No. 29/637,893, filed on Feb. 22, 2018, now Pat. No. Des. 872,728.

(51) **LOC (14) Cl.** **14-03**

(52) **U.S. Cl.**
USPC **D14/480.5**

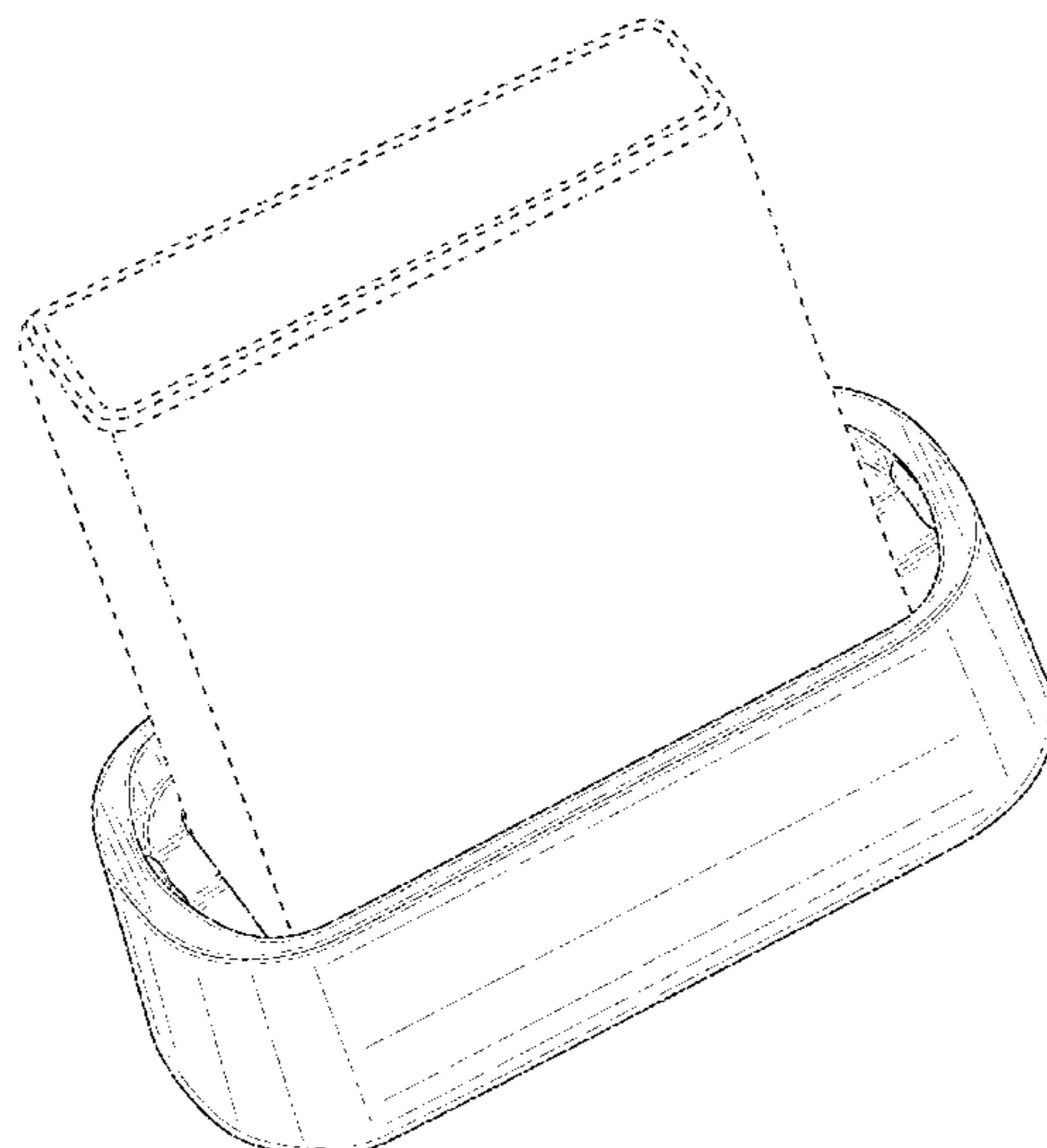
(58) **Field of Classification Search**
USPC D14/480.1–480.7, 435.1, 411, 433, 436, D14/484.1, 137, 155, 203.1–203.8, 240, D14/242, 496, 474; D13/133, 154
CPC H05K 5/0278; G06K 19/07732
See application file for complete search history.

(56) **References Cited**

U.S. PATENT DOCUMENTS

D534,448 S 1/2007 Shaffer, II et al.
D562,819 S 2/2008 Yu et al.
D569,375 S 5/2008 Yu et al.
D663,310 S 7/2012 Prince
D684,976 S * 6/2013 Akana D14/433
D686,631 S 7/2013 Iversen

1 Claim, 11 Drawing Sheets



(56)

References Cited

U.S. PATENT DOCUMENTS

D691,139 S * 10/2013 Koefoed D14/433
D692,428 S * 10/2013 Janson D14/433
D703,680 S * 4/2014 Lin D14/480.1
D707,688 S * 6/2014 Wu D14/480.1
D737,202 S 8/2015 Liu
D741,865 S 10/2015 Sundermeyer et al.
D754,139 S 4/2016 Billington
D765,082 S * 8/2016 Allen, Sr. D14/433
D772,878 S * 11/2016 Chiang D14/433
D802,602 S 11/2017 Chen et al.
D803,226 S 11/2017 Lee
D837,226 S 1/2019 Wei
D862,486 S 10/2019 Roberts
D870,119 S 12/2019 Jun
D870,120 S 12/2019 Jun
D872,728 S * 1/2020 Matsumoto D14/480.5
D874,469 S * 2/2020 Shim D14/480.1
D894,198 S * 8/2020 Matsumoto D14/480.5
D937,835 S * 12/2021 Akana D14/433
2018/0157891 A1 * 6/2018 Wang H05K 5/0278

* cited by examiner

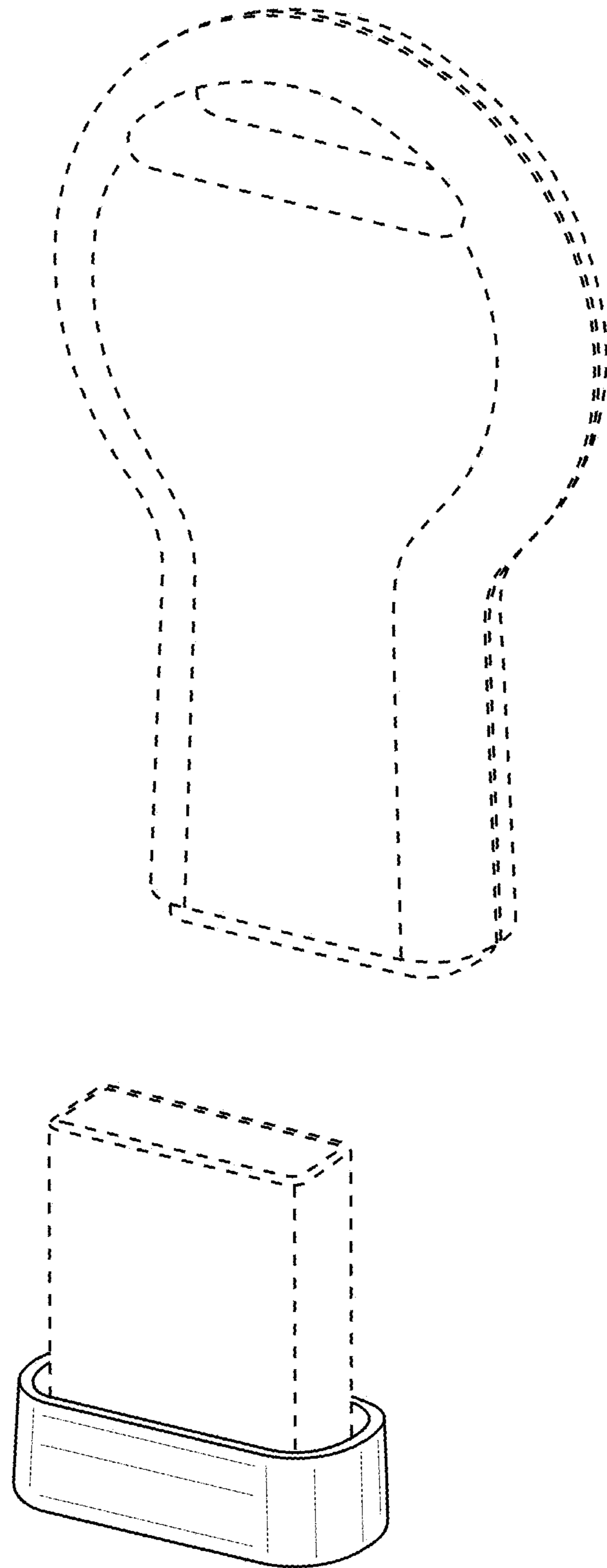


FIG. 1

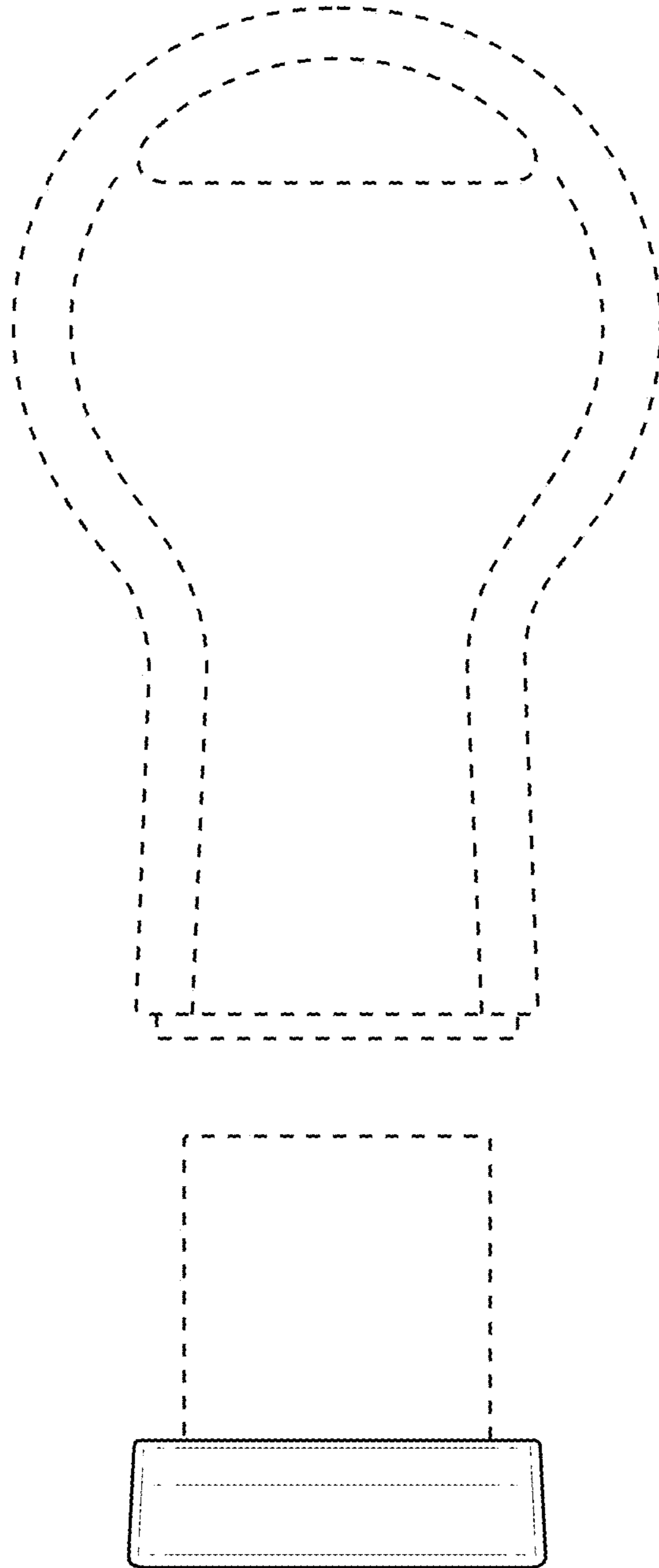


FIG. 2

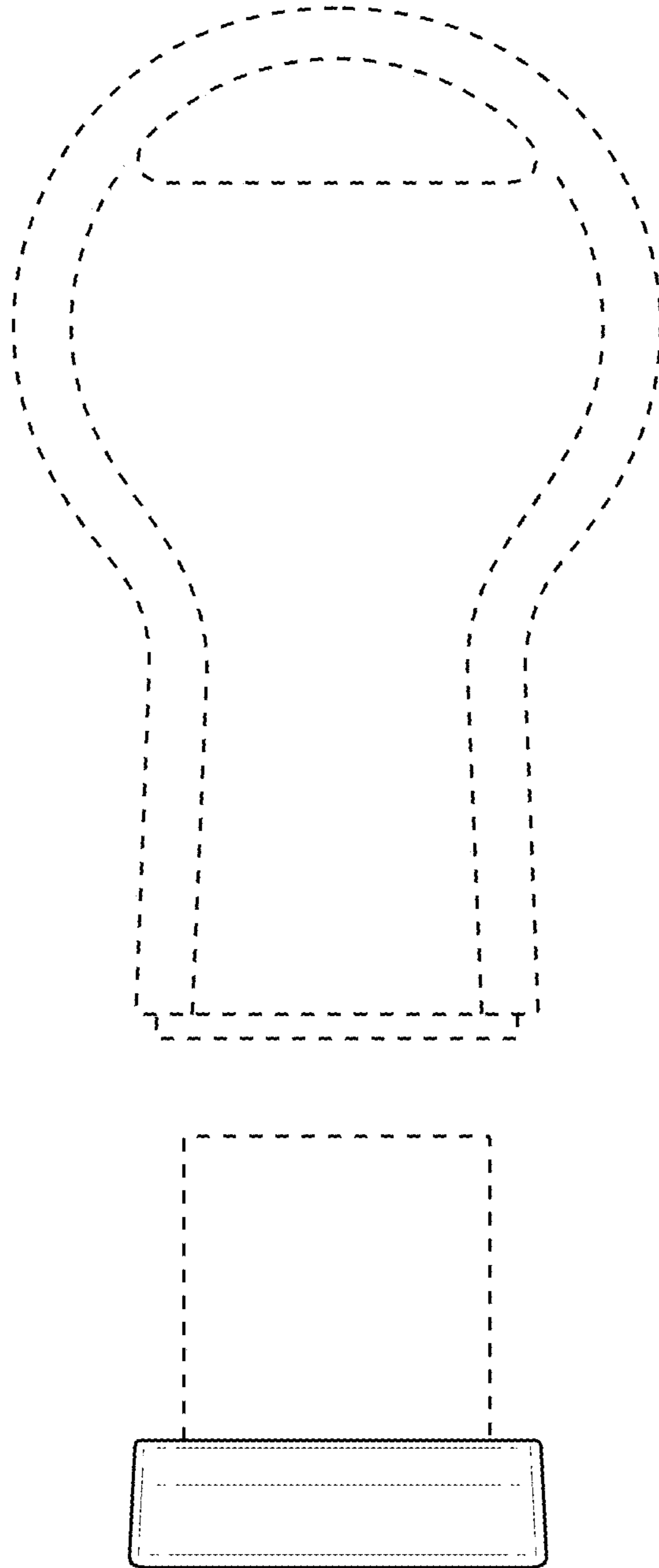


FIG. 3

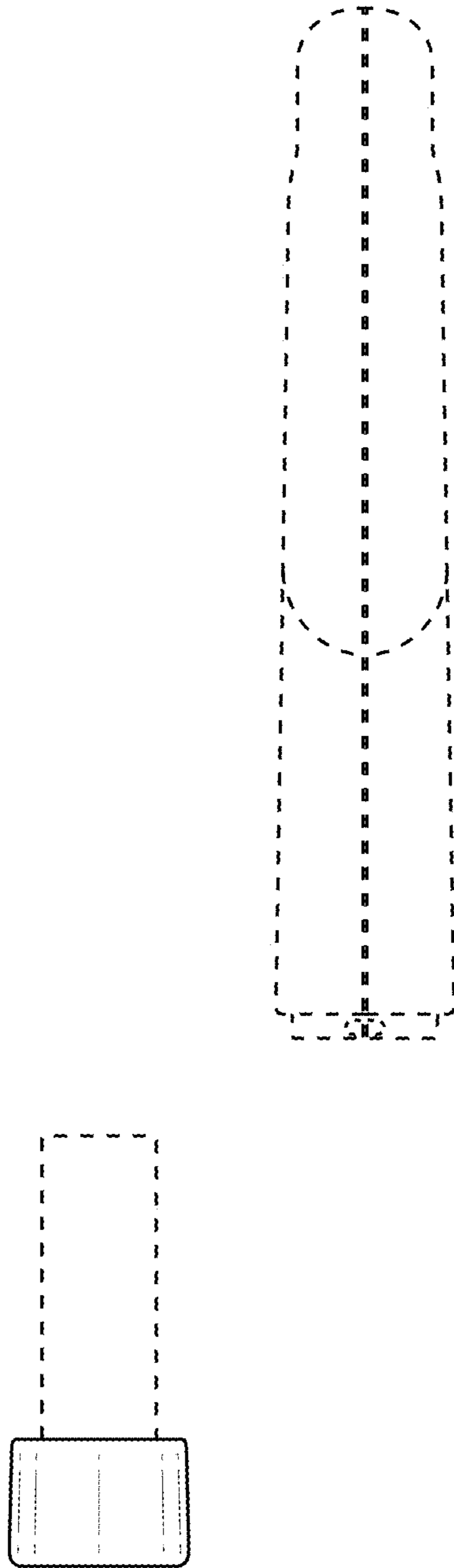


FIG. 4

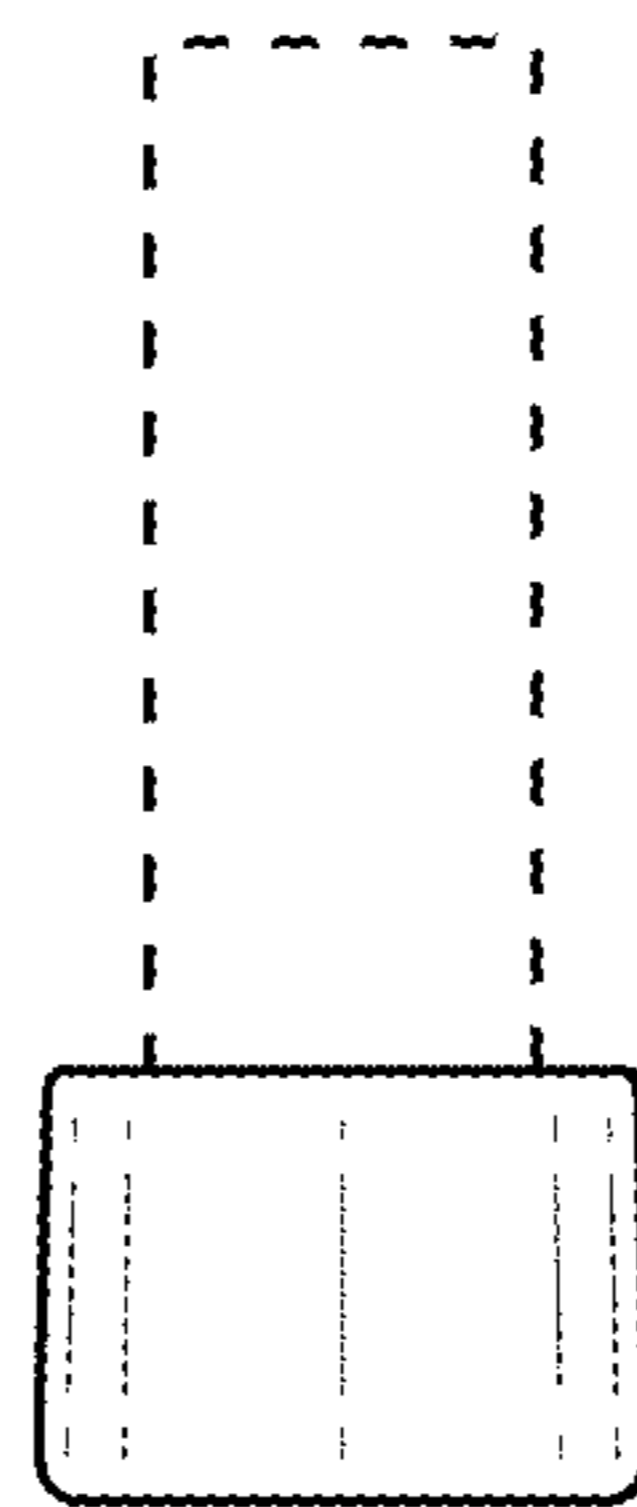
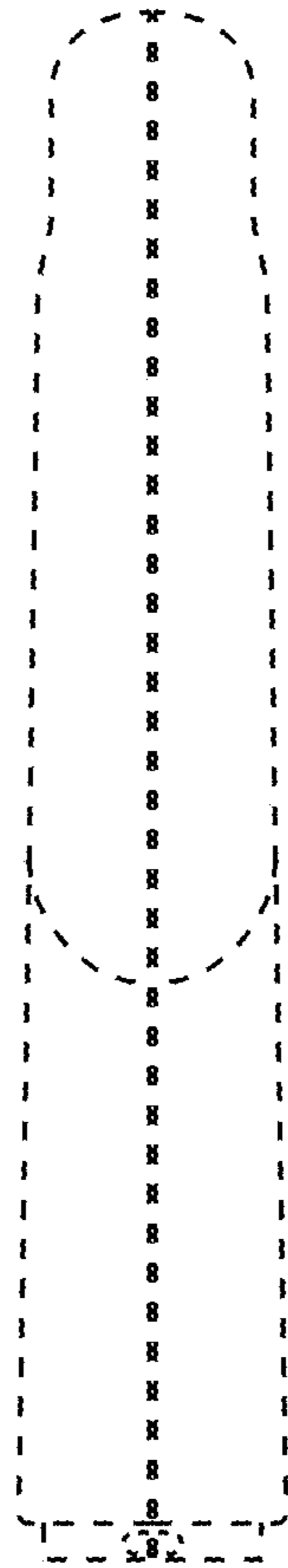


FIG. 5

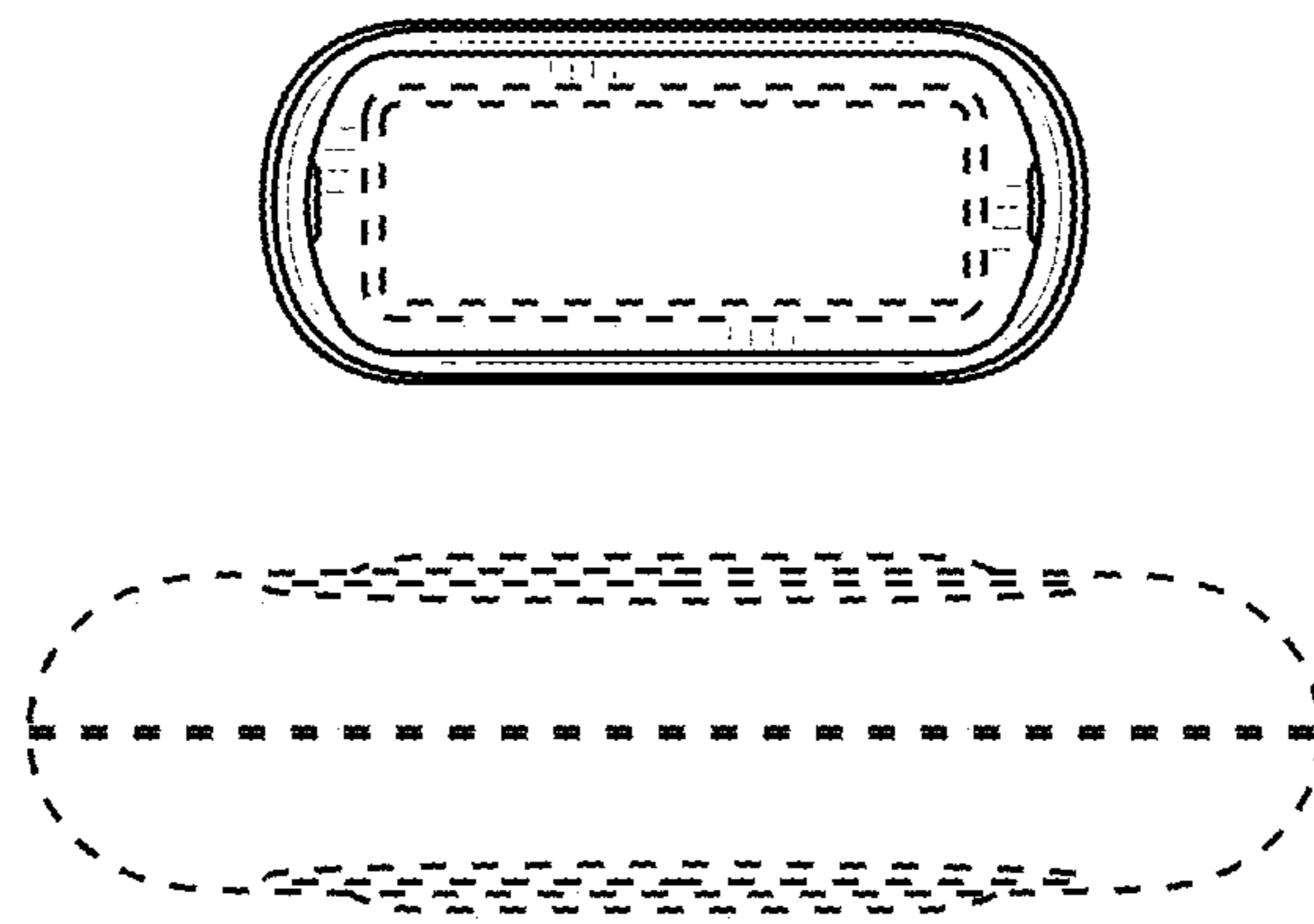


FIG. 6

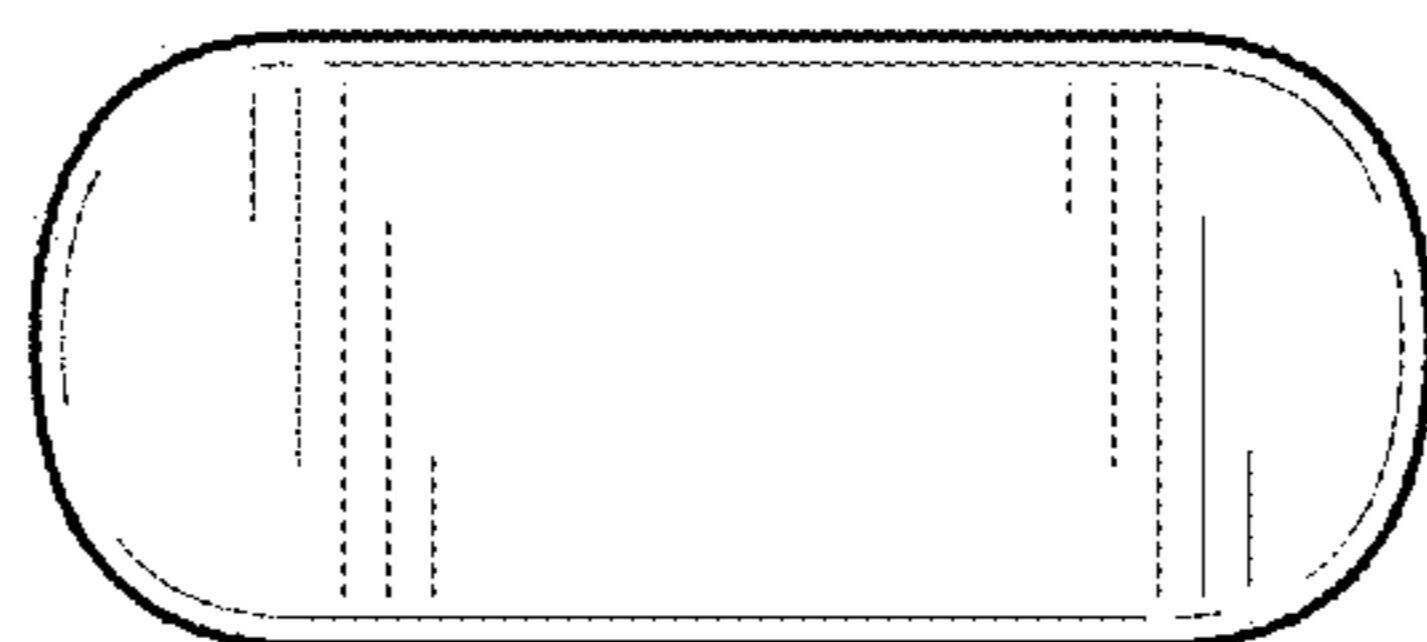
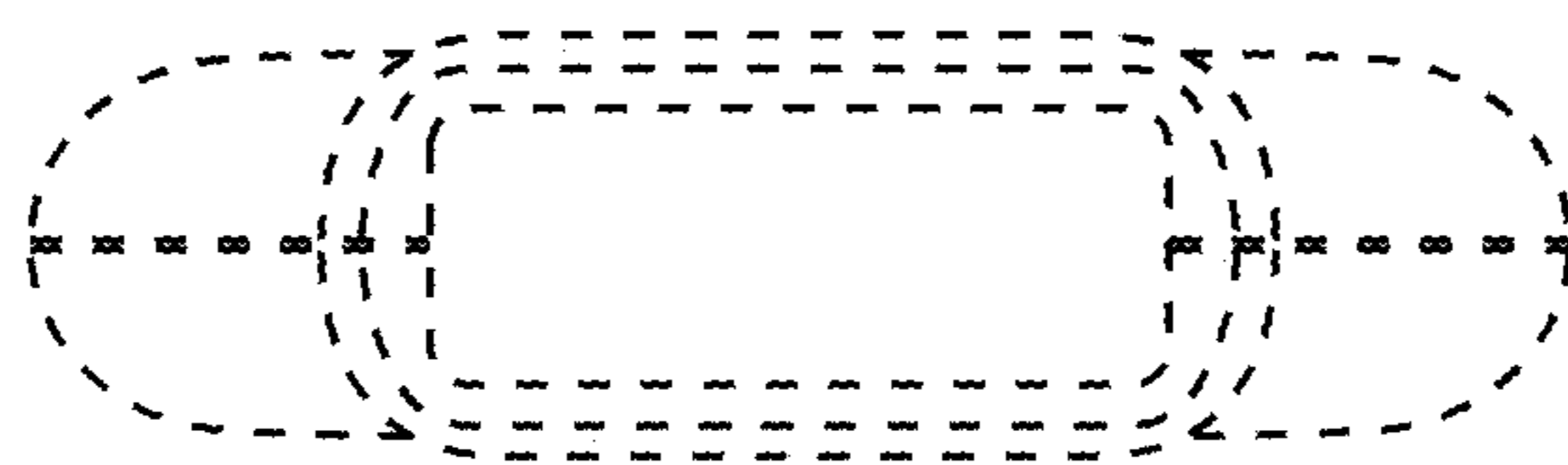


FIG. 7

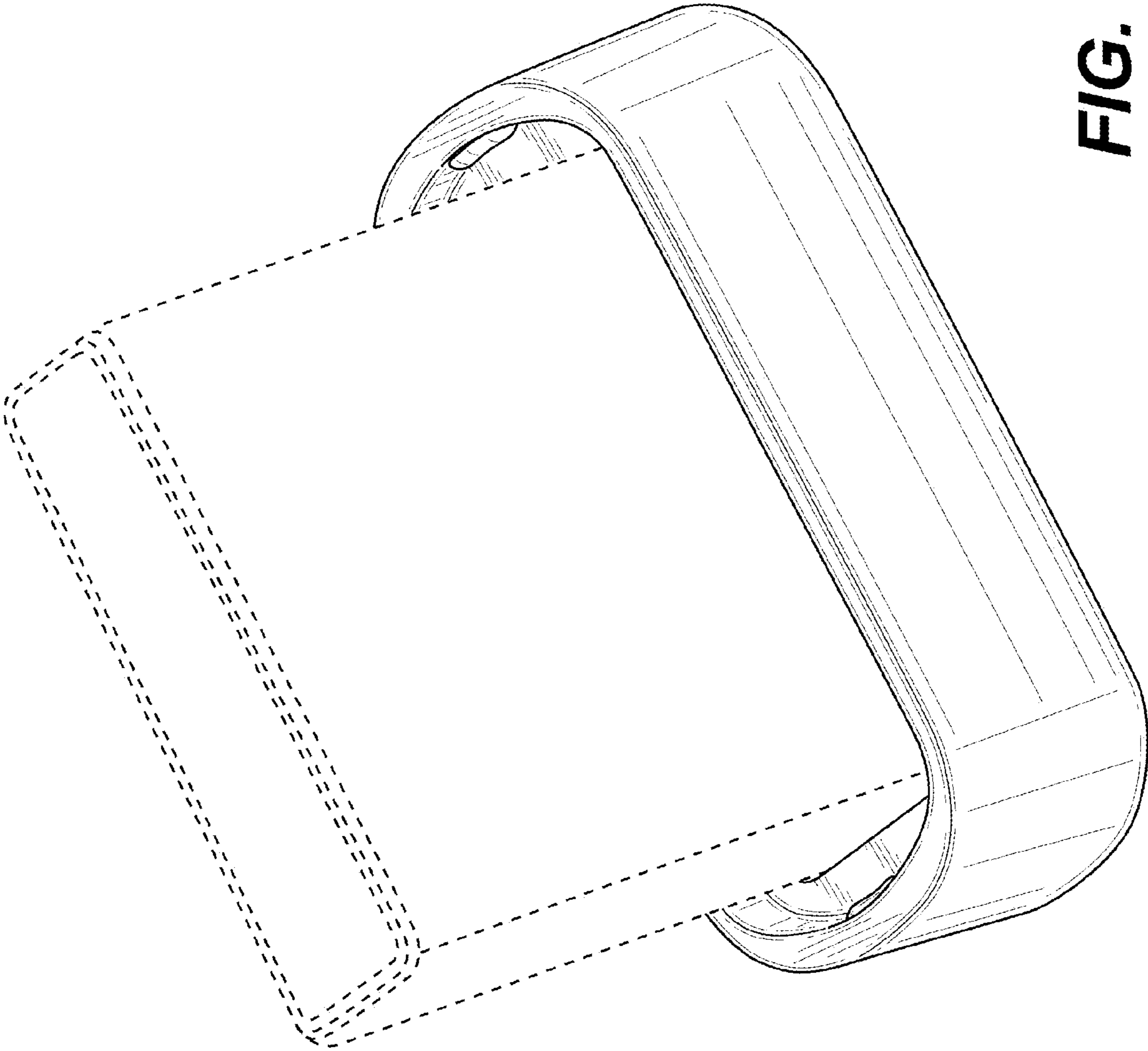


FIG. 8

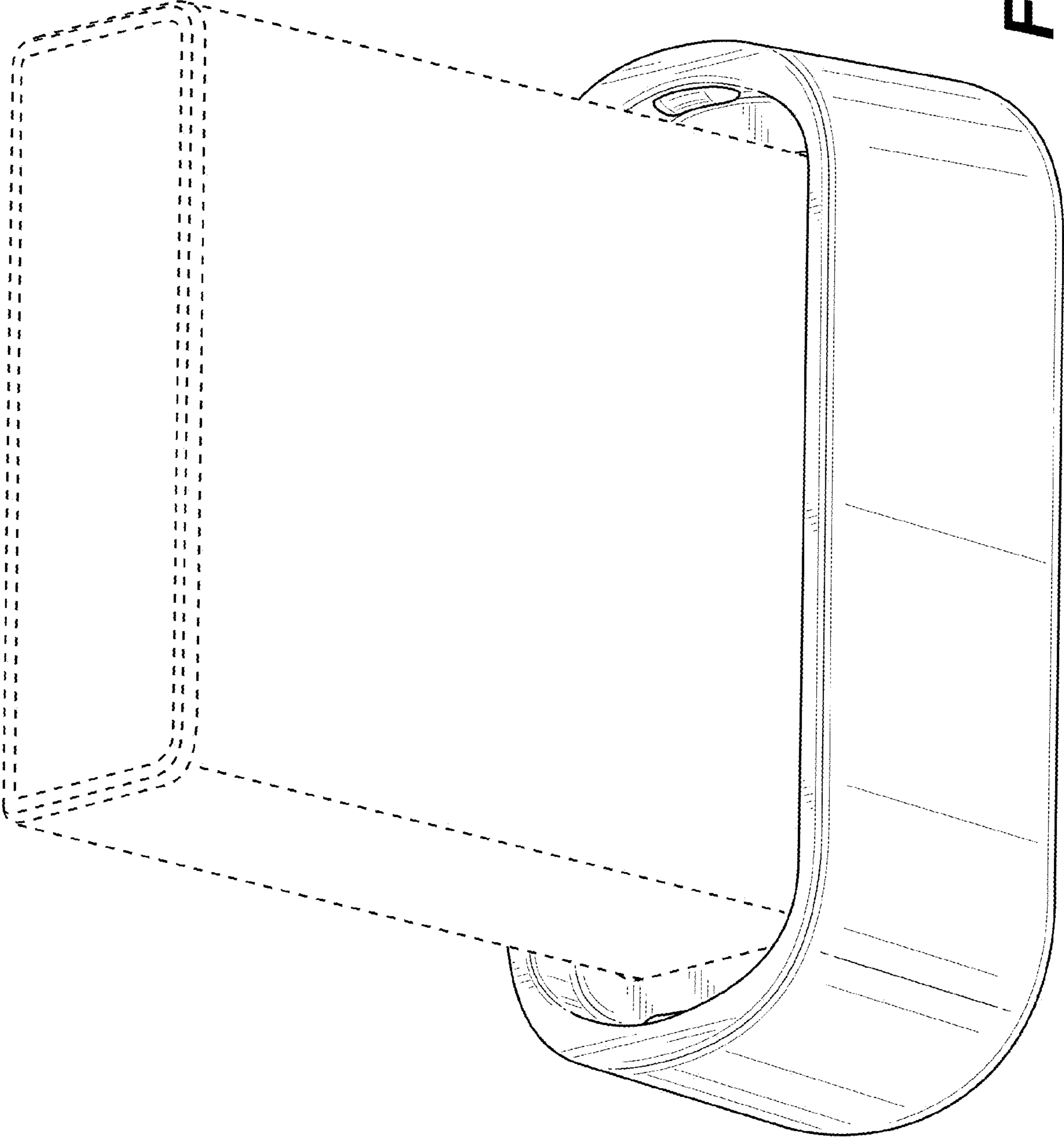


FIG. 9

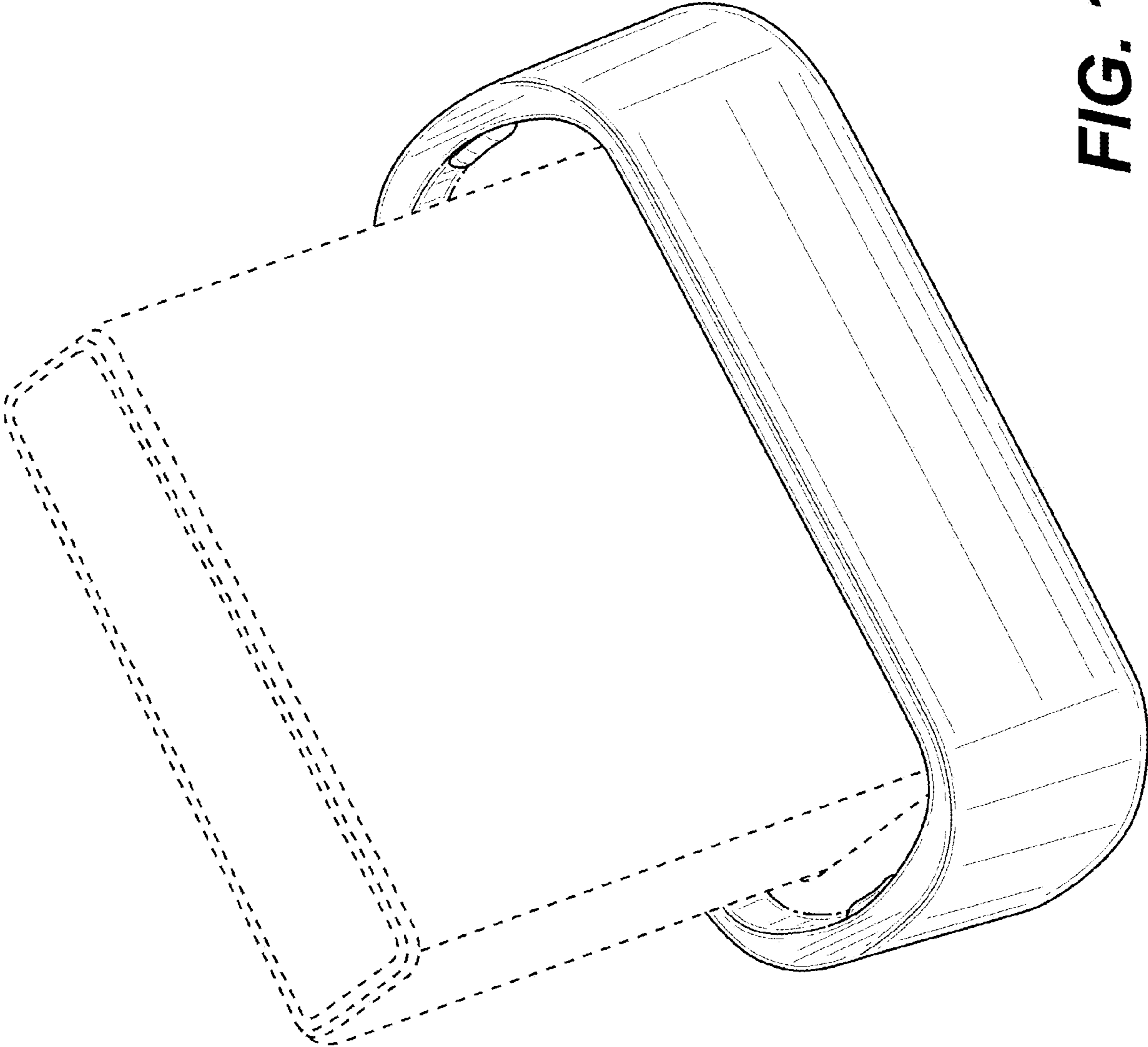


FIG. 10

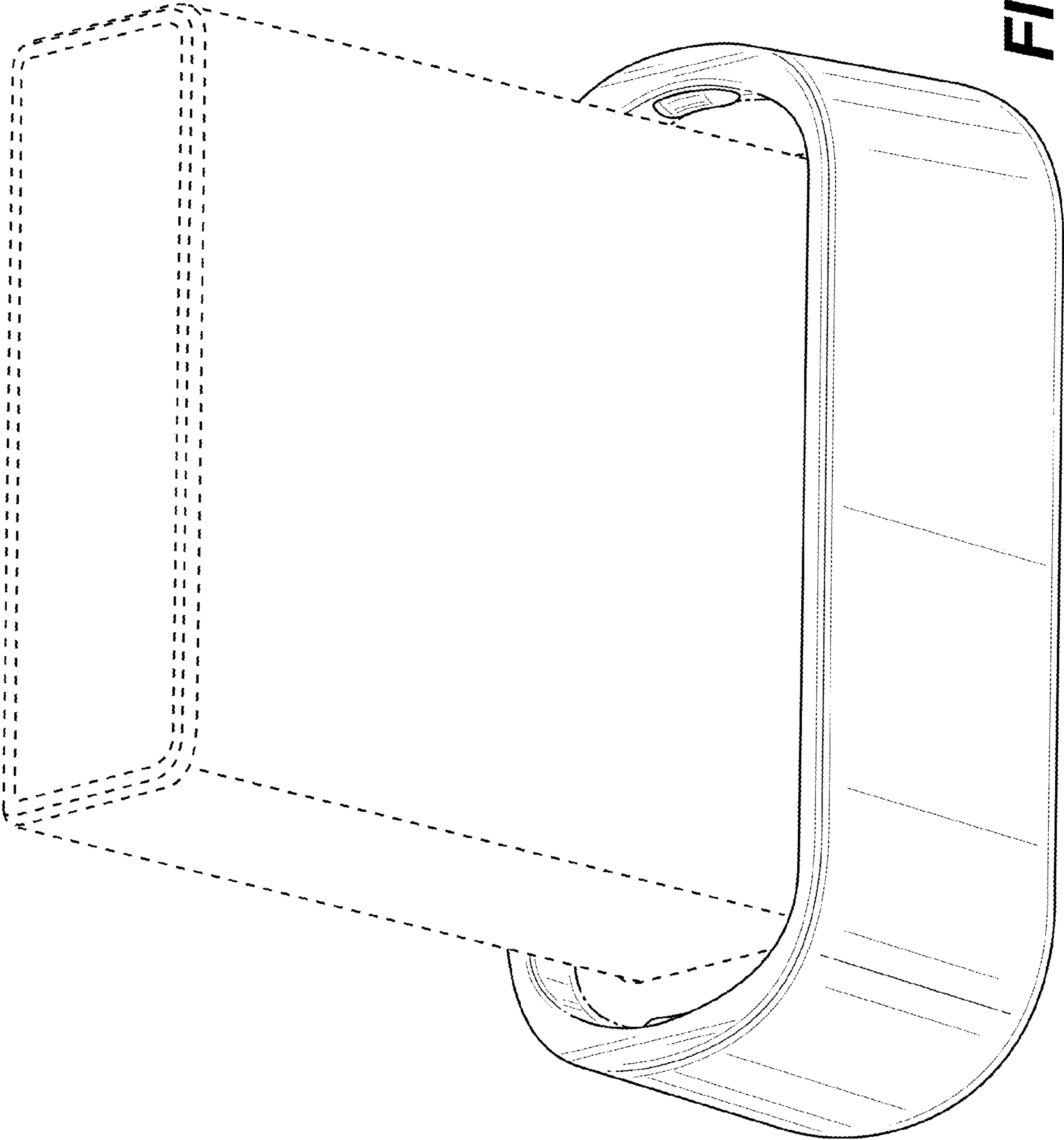


FIG. 11